

## SoC Temperature Sensor

By Siri Johnsrud

### Keywords

- Temperature Sensor
- ADC
- CC1110
- CC1111
- CC2430
- CC2431
- CC2510
- CC2511

### 1 Introduction

The above mentioned SoCs contain a temperature sensor which is connected to the ADC. By setting the ADC to sample

the voltage delivered from the temperature sensor, the temperature can easily be calculated.

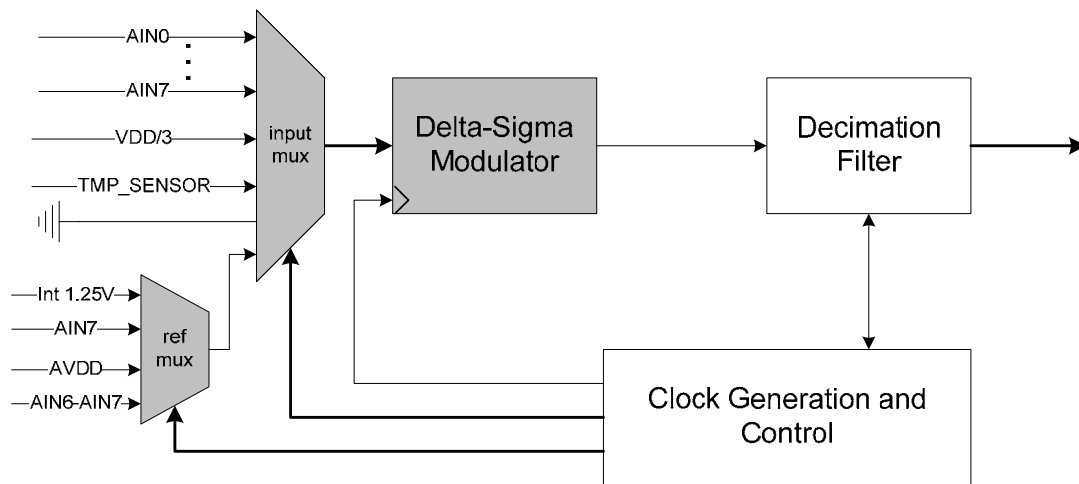


Figure 1. ADC Block Diagram

## Table of Contents

KEYWORDS.....	1
1 INTRODUCTION.....	1
2 ABBREVIATIONS.....	2
3 ANALOG TEMPERATURE SENSOR PARAMETERS .....	3
4 TEMPERATURE CALCULATION.....	3
5 1-POINT CALIBRATION .....	4
5.1 MEASURING THE OUTPUT VOLTAGE.....	4
6 CODE EXAMPLE.....	6
7 REFERENCES.....	7
8 GENERAL INFORMATION .....	8
8.1 DOCUMENT HISTORY .....	8

## 2 Abbreviations

ADC	Analog to Digital Converter
SoC	System on Chip

## 3 Analog Temperature Sensor Parameters

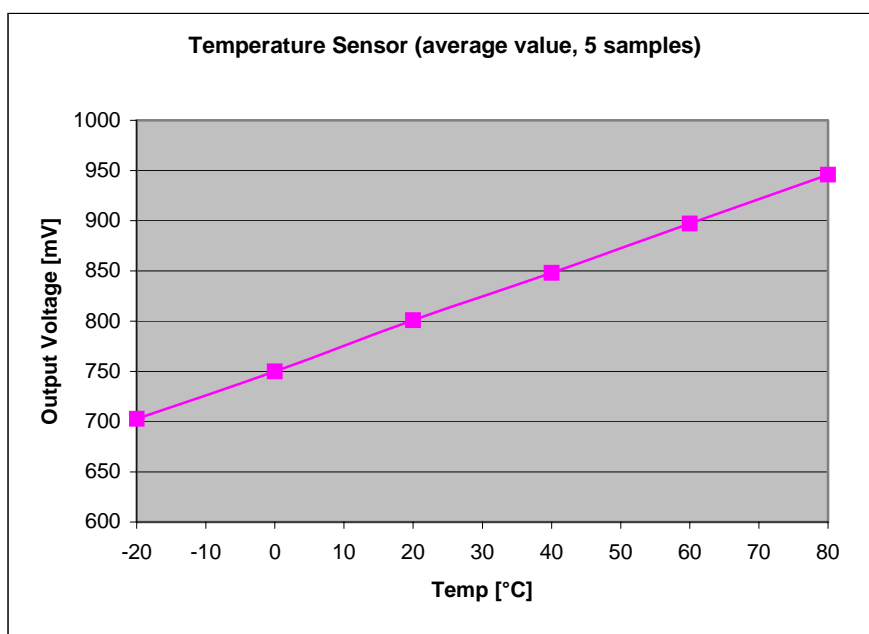
The analog temperature sensor parameters will be different for the different SoCs as seen in Table 1. Please refer to the datasheets ([1], [2], and [3]) for more details on these parameters.

	Typical Output Voltage [mV] @ 0°C	Typical Temperature Coefficient [mV/°C]	Datasheet Revisions (from where the numbers are taken)
CC1110/CC1111	755	2.54	SWRS033D [1]
CC2510/CC2511	750	2.43	SWRS055D [2]
CC2430/CC2431	743	2.45	SWRS036F [3]

**Table 1. Analog Temperature Sensor Parameters**

This design note use numbers found in the CC2510/CC2511 datasheet [2] for all the calculations.

## 4 Temperature Calculation



**Figure 2. Output Voltage vs. Temperature**

From Figure 2 and Table 1 we see that the output voltage from the temperature sensor and the temperature is related as shown in Equation 1:

$$\text{Output Voltage [mV]} = \text{Temp. Coeff. [mV / } ^\circ\text{C]} \cdot \text{Temp [} ^\circ\text{C]} + \text{Output Voltage at } 0^\circ\text{C [mV]}$$

**Equation 1.**

The output voltage is 750 mV @ 0°C for CC2510 and CC2511 and the temperature coefficient is 2.43 mV/°C (see Table 1).

This means that the temperature, T, is given as shown in Equation 2:

$$T = \frac{(\text{Output Voltage [mV]} - 750 \text{ [mV]})}{2.43 \text{ [mV/}^\circ\text{C]}}$$

Equation 2.

## 5 1-Point Calibration

To make sure that the error in calculated temperature is within  $\pm 2^\circ\text{C}$  it is necessary to perform a 1-point calibration, as the output voltage from the ADC might have an offset compared to what is shown in Figure 2. The easiest is to perform a 1-point calibration at room temperature by simply measuring the output voltage from the temperature sensor at  $25^\circ\text{C}$ .

### 5.1 Measuring the Output Voltage

To measure the output voltage from the temperature sensor, the temperature sensor must be selected as input to the ADC. This is done by setting `ADCCON2.SCH[3:0] = 1110`. Assume that the internal 1.25 V reference is used (`ADCCON2.SREF[1:0] = 00`) and that the ADC is configured for 12 bits resolution (`ADCCON2.SDIV[1:0] = 11`). With 12 bits resolution, the maximum ADC value is 2047 ( $2^{11}$ ) since the ADC value is given in 2's complement form.

The output voltage from the temperature sensor is given by Equation 3 (given the assumptions above):

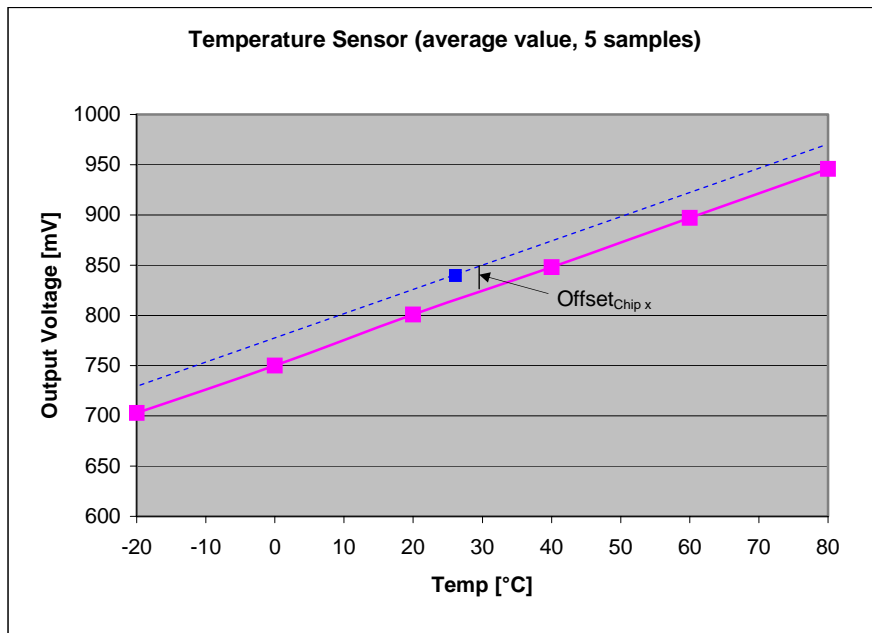
$$\text{Output Voltage [mV]} = \text{ADC Value} \cdot \frac{1250 \text{ [mV]}}{2047}$$

Equation 3.

The ADC value always resides in MSB section of `ADCH:ADCL`.

# Design Note DN102

When measuring the output voltage at room temperature for Chip x, there might be offset compared to the output voltage calculated using Equation 1.



**Figure 3. Voltage Measured @ Room Temperature**

This offset can be calculated as shown in Equation 4.

$$\text{Offset} = \text{Measured Voltage at } 25^{\circ}\text{C [mV]} - (\text{Temp. Coeff. [mV/}^{\circ}\text{C]} \cdot \text{Temp [}^{\circ}\text{C]} + \text{Output Voltage at } 0^{\circ}\text{C [mV]})$$

#### Equation 4.

Assume that for one specific chip, Chip x, the output voltage is measured to be 840 mV @ 25°C (see Figure 3).

$$\begin{aligned} \text{Offset}_{\text{Chip } x} &= 840 \text{ [mV]} - (2.43 \text{ [mV/}^{\circ}\text{C]} \cdot 25 \text{ [}^{\circ}\text{C]} + 750 \text{ [mV]}) = \\ &= 840 \text{ [mV]} - 810.75 \text{ [mV]} = \underline{\underline{29.75 \text{ [mV]}}} \end{aligned}$$

# Design Note DN102

The temperature, measured with Chip x, is given by Equation 5.

$$T_{Chip\ x} = \frac{Output\ Voltage\ [mV] - (750\ [mV] + Offset_{Chip\ x}\ [mV])}{2.43\ [mV/^{\circ}C]} =$$
$$\frac{Output\ Voltage\ [mV] - (750\ [mV] + 29.75\ [mV])}{2.43\ [mV/^{\circ}C]} =$$

$$T_{Chip\ x} = \frac{Output\ Voltage\ [mV] - 779.75\ [mV]}{2.43\ [mV/^{\circ}C]} =$$

Equation 5.

## 6 Code Example

```
/* Reference voltage: Internal 1.25 V,
Resolution: 12 bits,
ADC input: Temperature sensor

In this example it is assumed that a 1-point calibration has been performed in
production test and that the offset was found to be 29.75 mV */

#define SAMPLE_TEMP_SENSOR(v) \
do { \
    ADCCON2 = 0x3E; \
    ADCCON1 = 0x73; \
    while(!(ADCCON1 & 0x80)); \
    v = ADCL; \
    v |= (((unsigned int)ADCH) << 8); \
} while(0)

#define CONST 0.61065 // (1250 / 2047)
#define OFFSET_DATASHEET 750
#define OFFSET_MEASURED_AT_25_DEGREES_CELSIUS 29.75
#define OFFSET (OFFSET_DATASHEET + OFFSET_MEASURED_AT_25_DEGREES_CELSIUS) // 779.75
#define TEMP_COEFF 2.43

float getTemp(void) {
    unsigned int adcValue;
    float outputVoltage;

    SAMPLE_TEMP_SENSOR(adcValue);

    // Note that the conversion result always resides in MSB section of ADCH:ADCL
    adcValue >>= 4; // Shift 4 due to 12 bits resolution

    outputVoltage = adcValue * CONST;

    return ((outputVoltage - OFFSET) / TEMP_COEFF);
}
```

## **7 References**

- [1] CC1110Fx/CC1111Fx Low-Power Sub-1 GHz RF System-on-Chip (SoC) with MCU, Memory, Transceiver, and USB Controller ([cc1110f32.pdf](#))
- [2] CC2510Fx/CC2511Fx Low-Power SoC (System-on-Chip) with MCU, Memory, 2.4 GHz RF Transceiver, and USB Controller ([cc2510f32.pdf](#))
- [3] A True System-on-Chip solution for 2.4 GHz IEEE 802.15.4 / ZigBee® ([cc2430.pdf](#))

# *Design Note DN102*

## 8 General Information

### 8.1 Document History

Revision	Date	Description/Changes
SWRA101A	2007.10.05	The complete design note has been re-written to better explain how to use analog temperature sensor parameters from the datasheet when using the ADC to determine the temperature. Changes to Figure 1.
SWRA101	2006.07.06	Initial release.



## IMPORTANT NOTICE

Texas Instruments Incorporated and its subsidiaries (TI) reserve the right to make corrections, modifications, enhancements, improvements, and other changes to its products and services at any time and to discontinue any product or service without notice. Customers should obtain the latest relevant information before placing orders and should verify that such information is current and complete. All products are sold subject to TI's terms and conditions of sale supplied at the time of order acknowledgment.

TI warrants performance of its hardware products to the specifications applicable at the time of sale in accordance with TI's standard warranty. Testing and other quality control techniques are used to the extent TI deems necessary to support this warranty. Except where mandated by government requirements, testing of all parameters of each product is not necessarily performed.

TI assumes no liability for applications assistance or customer product design. Customers are responsible for their products and applications using TI components. To minimize the risks associated with customer products and applications, customers should provide adequate design and operating safeguards.

TI does not warrant or represent that any license, either express or implied, is granted under any TI patent right, copyright, mask work right, or other TI intellectual property right relating to any combination, machine, or process in which TI products or services are used. Information published by TI regarding third-party products or services does not constitute a license from TI to use such products or services or a warranty or endorsement thereof. Use of such information may require a license from a third party under the patents or other intellectual property of the third party, or a license from TI under the patents or other intellectual property of TI.

Reproduction of TI information in TI data books or data sheets is permissible only if reproduction is without alteration and is accompanied by all associated warranties, conditions, limitations, and notices. Reproduction of this information with alteration is an unfair and deceptive business practice. TI is not responsible or liable for such altered documentation. Information of third parties may be subject to additional restrictions.

Resale of TI products or services with statements different from or beyond the parameters stated by TI for that product or service voids all express and any implied warranties for the associated TI product or service and is an unfair and deceptive business practice. TI is not responsible or liable for any such statements.

TI products are not authorized for use in safety-critical applications (such as life support) where a failure of the TI product would reasonably be expected to cause severe personal injury or death, unless officers of the parties have executed an agreement specifically governing such use. Buyers represent that they have all necessary expertise in the safety and regulatory ramifications of their applications, and acknowledge and agree that they are solely responsible for all legal, regulatory and safety-related requirements concerning their products and any use of TI products in such safety-critical applications, notwithstanding any applications-related information or support that may be provided by TI. Further, Buyers must fully indemnify TI and its representatives against any damages arising out of the use of TI products in such safety-critical applications.

TI products are neither designed nor intended for use in military/aerospace applications or environments unless the TI products are specifically designated by TI as military-grade or "enhanced plastic." Only products designated by TI as military-grade meet military specifications. Buyers acknowledge and agree that any such use of TI products which TI has not designated as military-grade is solely at the Buyer's risk, and that they are solely responsible for compliance with all legal and regulatory requirements in connection with such use.

TI products are neither designed nor intended for use in automotive applications or environments unless the specific TI products are designated by TI as compliant with ISO/TS 16949 requirements. Buyers acknowledge and agree that, if they use any non-designated products in automotive applications, TI will not be responsible for any failure to meet such requirements.

Following are URLs where you can obtain information on other Texas Instruments products and application solutions:

<b>Products</b>		<b>Applications</b>	
Amplifiers	<a href="http://amplifier.ti.com">amplifier.ti.com</a>	Audio	<a href="http://www.ti.com/audio">www.ti.com/audio</a>
Data Converters	<a href="http://dataconverter.ti.com">dataconverter.ti.com</a>	Automotive	<a href="http://www.ti.com/automotive">www.ti.com/automotive</a>
DSP	<a href="http://dsp.ti.com">dsp.ti.com</a>	Broadband	<a href="http://www.ti.com/broadband">www.ti.com/broadband</a>
Interface	<a href="http://interface.ti.com">interface.ti.com</a>	Digital Control	<a href="http://www.ti.com/digitalcontrol">www.ti.com/digitalcontrol</a>
Logic	<a href="http://logic.ti.com">logic.ti.com</a>	Military	<a href="http://www.ti.com/military">www.ti.com/military</a>
Power Mgmt	<a href="http://power.ti.com">power.ti.com</a>	Optical Networking	<a href="http://www.ti.com/opticalnetwork">www.ti.com/opticalnetwork</a>
Microcontrollers	<a href="http://microcontroller.ti.com">microcontroller.ti.com</a>	Security	<a href="http://www.ti.com/security">www.ti.com/security</a>
RFID	<a href="http://www.ti-rfid.com">www.ti-rfid.com</a>	Telephony	<a href="http://www.ti.com/telephony">www.ti.com/telephony</a>
Low Power Wireless	<a href="http://www.ti.com/lpw">www.ti.com/lpw</a>	Video & Imaging	<a href="http://www.ti.com/video">www.ti.com/video</a>
		Wireless	<a href="http://www.ti.com/wireless">www.ti.com/wireless</a>

Mailing Address: Texas Instruments, Post Office Box 655303, Dallas, Texas 75265  
Copyright © 2007, Texas Instruments Incorporated