

Camera Adapter BoosterPack™

Contents

1	Introduction	2
2	Hardware Description	3
3	Operation Description	5
4	Design Files	7

List of Figures

1	ESD Caution.....	2
2	BOOSTXL-OV788ADAPT	3
3	Camera Adapter Block Diagram	3
4	System Setup	4
5	Pin Connector	6
6	UART and Power Connectors.....	6

List of Tables

1	Key System Specifications	2
2	12-Pin Header Pinout	5
3	P1 and P3 Header Pinout	5
4	P4 and P2 Header Pinout	5

Trademarks

BoosterPack, LaunchPad are trademarks of Texas Instruments.
 Apple, iPhone, iPad are registered trademarks of Apple Inc.
 Android is a trademark of Google Inc.
 Wi-Fi is a registered trademark of Wi-Fi Alliance.
 All other trademarks are the property of their respective owners.

1 Introduction

The camera adapter BoosterPack™ (BP), which contains SN74AVCx devices (voltage-level translators) from Texas Instruments, is an interface for interconnecting the LaunchPad™ (LP) operating at 3.3 V and the OV788 camera board operating at 1.85 V.

The 20-pin header ensures compatibility with other evaluation platforms, for easy prototyping and shorter development time. The OV788 camera board is mounted on 12-pin, 1.27-mm pitch headers.

1.1 What is Included

Kit contents:

- Camera adapter BP

1.2 Key System Specifications

Table 1 lists the key system specifications.

Table 1. Key System Specifications

Parameter	Specifications	Details
Operating voltage (VCCA and VCCB)	1.4 V to 3.6 V	–
Working environment	–30°C to 85°C	–
Peak current	1 A	Includes LaunchPad and OV788 reference design
Communication protocol	SPI	–

1.3 Regulatory Compliance

The BOOSTXL-OV788ADAPT BoosterPack is FCC Part 15 and IC ICES-003 Class A compliant.

This is a class A product, as defined by standard EN 61326-1:2013. The BOOSTXL-OV788ADAPT is in compliance with Directive 2014/30/EU. The full text of the EU declaration of conformity (DoC) is available in the BOOSTXL-OV788ADAPT BoosterPack EC DoC.



Caution! The kit contains ESD sensitive components. Handle with care to prevent permanent damage.

Figure 1. ESD Caution

2 Hardware Description

Figure 2 shows the BOOSTXL-OV788ADAPT board.

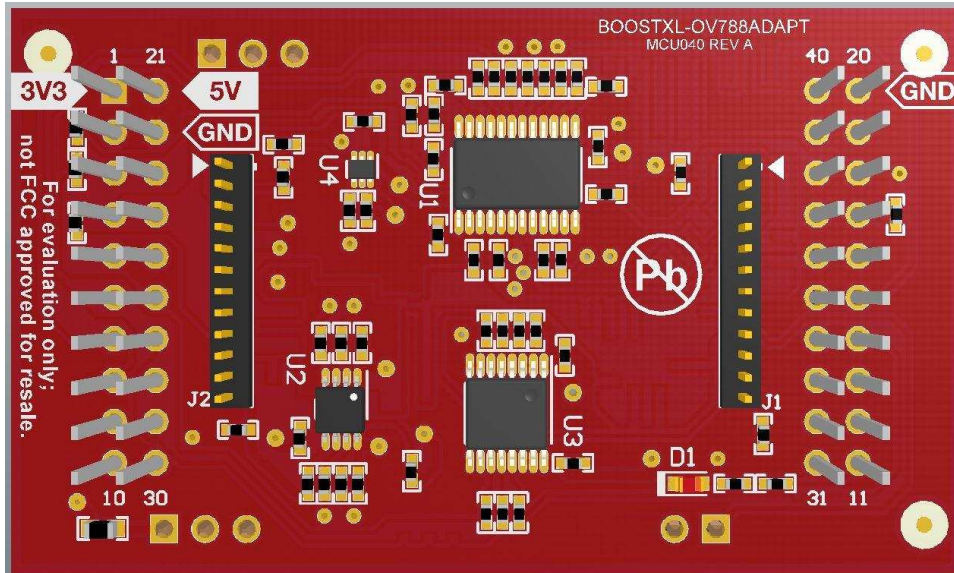
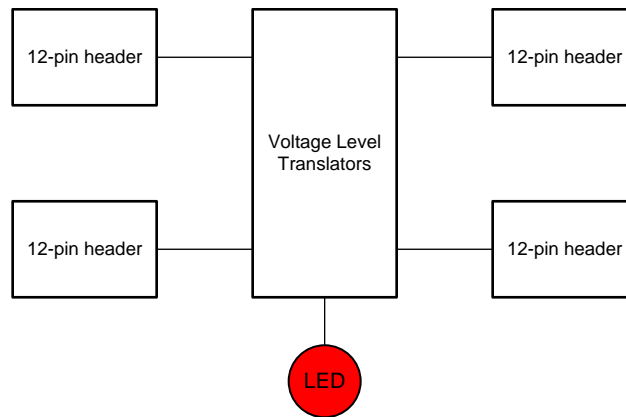


Figure 2. BOOSTXL-OV788ADAPT

2.1 Block Diagram

Figure 3 shows the block diagram.



Copyright © 2017, Texas Instruments Incorporated

Figure 3. Camera Adapter Block Diagram

2.2 Hardware Features

The hardware features follow:

- SN74AVCx voltage-level translators
- Two 20-pin headers
- Two 12-pin headers
- LED

2.3 Equipment

The required equipment follows:

- OV788 reference design board
- Apple® iPhone® or iPad®, or Android™ smartphone
- BOOSTXL-OV788ADAPT BP
- CC3200 LaunchPad
- Micro-USB cable
- 802.11 b/g/n Wi-Fi® access point

2.4 Hardware Setup

Set up the demo as shown in [Figure 4](#).

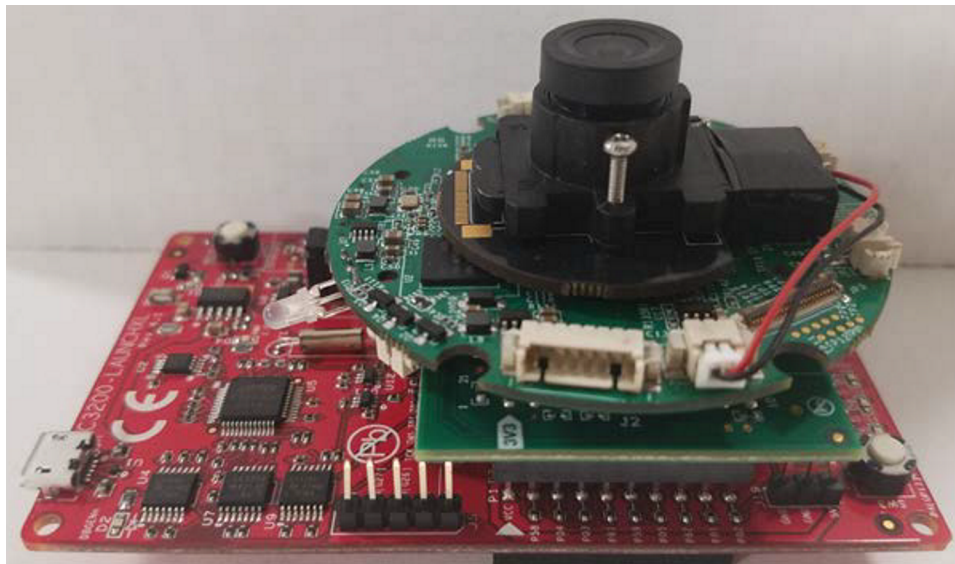


Figure 4. System Setup

Mount the adapter on the CC3200 LP, ensuring the VCC and GND pins are aligned. The OV788 board is then mounted on the adapter, aligning the GND and power pins (see [Figure 4](#)).

3 Operation Description

Table 2, Table 3, and Table 4 show the pin connector settings.

Table 2. 12-Pin Header Pinout

Reference	J2 Signal	J1 Signal
1	GND	GND
2	OVT1V8	OVT3V3
3	HOST_WAKE_1V8	
4	WAKEFLOW_1V8	SPI_CS_1V8
5	REG_ON_1V8	SPI_CLK_1V8
6	WLAN_ON_1V8	SPI_MISO_1V8
7	OVT_POR_1V8	SPI_MOSI_1V8
8	POWER_EN_1V8	
9	DC_DC_CNTL_3V3	OVT_TX_1V8
10	OVT_SYNC_1V8	OVT_RX_1V8
11	OVT_RDY_1V8	
12	OVT1V8	OVT3V6

Table 3. P1 and P3 Header Pinout

Reference	P1		P3	
	Signal	DEV Pin No.	Signal	DEV Pin No.
1	3V3		5V	
2		58	GND	
3	RX / PWR EN*	4		57
4	TX / DC CNTL*	3	WAKEFLOW 3V3	60
5	OVT_POR	61		58
6	REG ON	59		59
7	SPI CLK	5	OVT_RDY	63
8	OVT SYNC	62		53
9	HOST WAKE	1		64
10	WLAN ON	2		50

Table 4. P4 and P2 Header Pinout

Reference	P4		P2	
	Signal	DEV Pin No.	Signal	DEV Pin No.
1		2	GND	
2		1	POWER EN	18
3		17	SPI CS	8
4		64	DC DC CNTL	45
5		21		
6		18	SPI MOSI	7
7		62	SPI MISO	6
8		60		21
9		16		55
10		17	GND	15

Figure 5 shows the pin connector.

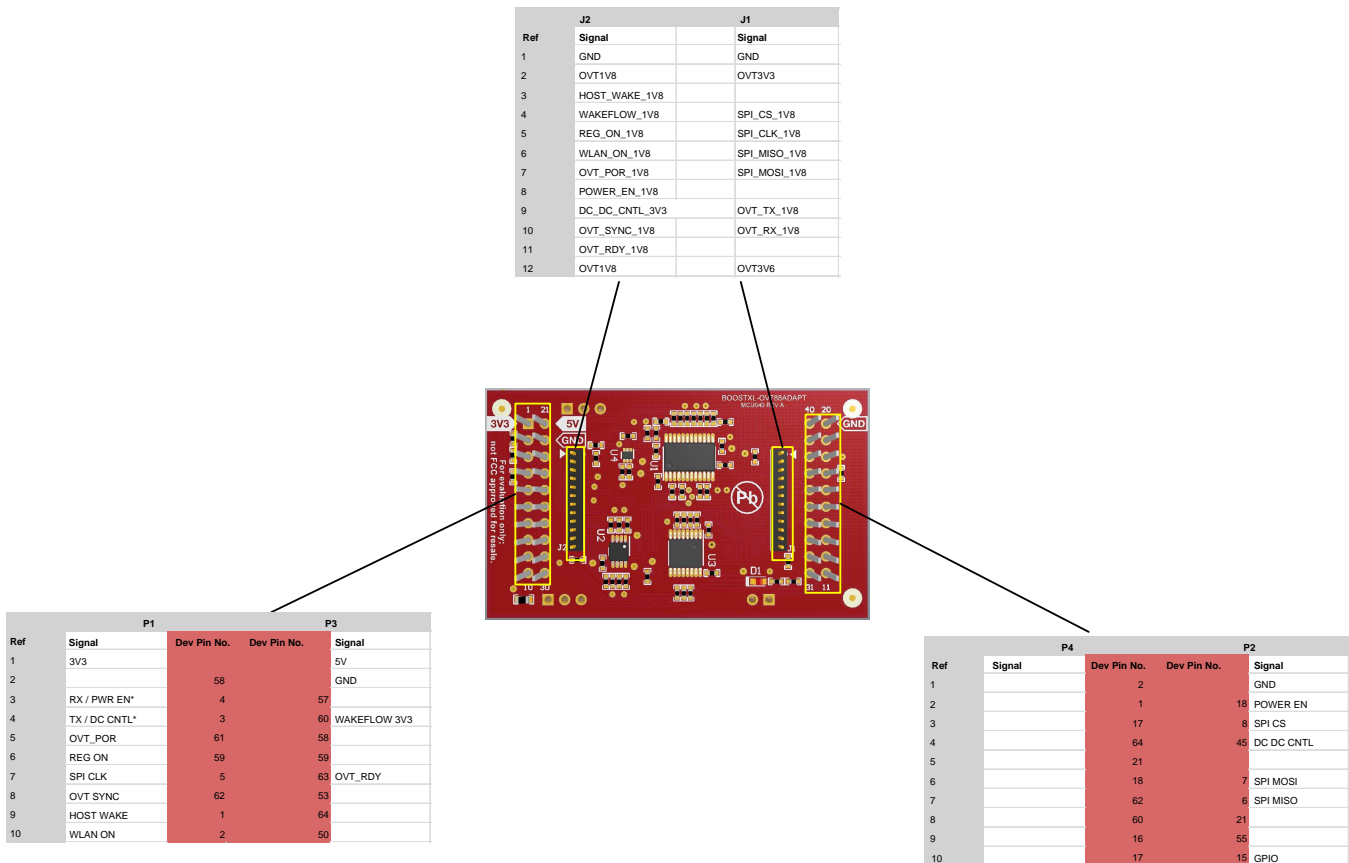


Figure 5. Pin Connector

Figure 6 shows the UART and power connectors.

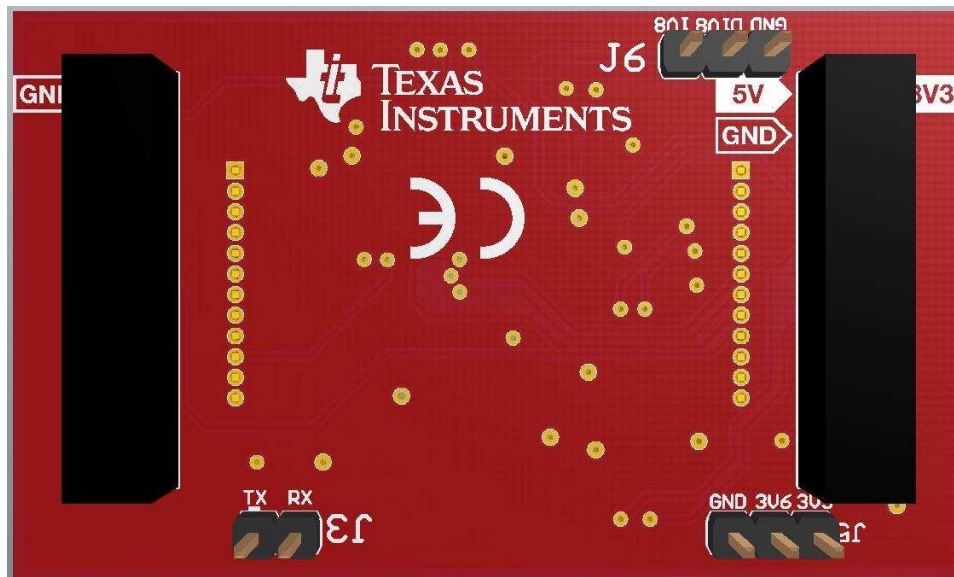


Figure 6. UART and Power Connectors

The header J3 provides access to the UART RX and TX pin for debugging using the serial terminal.

3.1 Powering the Setup

For dual power, follow these instructions:

1. Power the LaunchPad using the USB port.
2. Power the OVT788 device through JP3 on the camera board. Alternatively, the OVT788 device can be powered by supplying 3.6 V between the 3V6 pin and GND to J5 on the BOOSTXL-OV788ADAPT board.

For unified power, follow these instructions:

1. Place the jumper connecting 3V3 and 3V6 on J5.
2. Power the LaunchPad using the USB port on the LaunchPad.

See the [SimpleLink™ CC3200-OV788 Video and Audio Streaming Over Wi-Fi® Reference Design](#) for more operating information.

4 Design Files

4.1 Hardware Files

All design files including the schematics, layout, bill of materials, gerber files, and documentation, are available for download on the [CC3200-LAUNCHXL-RD](#) product page.

IMPORTANT NOTICE FOR TI DESIGN INFORMATION AND RESOURCES

Texas Instruments Incorporated ("TI") technical, application or other design advice, services or information, including, but not limited to, reference designs and materials relating to evaluation modules, (collectively, "TI Resources") are intended to assist designers who are developing applications that incorporate TI products; by downloading, accessing or using any particular TI Resource in any way, you (individually or, if you are acting on behalf of a company, your company) agree to use it solely for this purpose and subject to the terms of this Notice.

TI's provision of TI Resources does not expand or otherwise alter TI's applicable published warranties or warranty disclaimers for TI products, and no additional obligations or liabilities arise from TI providing such TI Resources. TI reserves the right to make corrections, enhancements, improvements and other changes to its TI Resources.

You understand and agree that you remain responsible for using your independent analysis, evaluation and judgment in designing your applications and that you have full and exclusive responsibility to assure the safety of your applications and compliance of your applications (and of all TI products used in or for your applications) with all applicable regulations, laws and other applicable requirements. You represent that, with respect to your applications, you have all the necessary expertise to create and implement safeguards that (1) anticipate dangerous consequences of failures, (2) monitor failures and their consequences, and (3) lessen the likelihood of failures that might cause harm and take appropriate actions. You agree that prior to using or distributing any applications that include TI products, you will thoroughly test such applications and the functionality of such TI products as used in such applications. TI has not conducted any testing other than that specifically described in the published documentation for a particular TI Resource.

You are authorized to use, copy and modify any individual TI Resource only in connection with the development of applications that include the TI product(s) identified in such TI Resource. NO OTHER LICENSE, EXPRESS OR IMPLIED, BY ESTOPPEL OR OTHERWISE TO ANY OTHER TI INTELLECTUAL PROPERTY RIGHT, AND NO LICENSE TO ANY TECHNOLOGY OR INTELLECTUAL PROPERTY RIGHT OF TI OR ANY THIRD PARTY IS GRANTED HEREIN, including but not limited to any patent right, copyright, mask work right, or other intellectual property right relating to any combination, machine, or process in which TI products or services are used. Information regarding or referencing third-party products or services does not constitute a license to use such products or services, or a warranty or endorsement thereof. Use of TI Resources may require a license from a third party under the patents or other intellectual property of the third party, or a license from TI under the patents or other intellectual property of TI.

TI RESOURCES ARE PROVIDED "AS IS" AND WITH ALL FAULTS. TI DISCLAIMS ALL OTHER WARRANTIES OR REPRESENTATIONS, EXPRESS OR IMPLIED, REGARDING TI RESOURCES OR USE THEREOF, INCLUDING BUT NOT LIMITED TO ACCURACY OR COMPLETENESS, TITLE, ANY EPIDEMIC FAILURE WARRANTY AND ANY IMPLIED WARRANTIES OF MERCHANTABILITY, FITNESS FOR A PARTICULAR PURPOSE, AND NON-INFRINGEMENT OF ANY THIRD PARTY INTELLECTUAL PROPERTY RIGHTS.

TI SHALL NOT BE LIABLE FOR AND SHALL NOT DEFEND OR INDEMNIFY YOU AGAINST ANY CLAIM, INCLUDING BUT NOT LIMITED TO ANY INFRINGEMENT CLAIM THAT RELATES TO OR IS BASED ON ANY COMBINATION OF PRODUCTS EVEN IF DESCRIBED IN TI RESOURCES OR OTHERWISE. IN NO EVENT SHALL TI BE LIABLE FOR ANY ACTUAL, DIRECT, SPECIAL, COLLATERAL, INDIRECT, PUNITIVE, INCIDENTAL, CONSEQUENTIAL OR EXEMPLARY DAMAGES IN CONNECTION WITH OR ARISING OUT OF TI RESOURCES OR USE THEREOF, AND REGARDLESS OF WHETHER TI HAS BEEN ADVISED OF THE POSSIBILITY OF SUCH DAMAGES.

You agree to fully indemnify TI and its representatives against any damages, costs, losses, and/or liabilities arising out of your non-compliance with the terms and provisions of this Notice.

This Notice applies to TI Resources. Additional terms apply to the use and purchase of certain types of materials, TI products and services. These include; without limitation, TI's standard terms for semiconductor products (<http://www.ti.com/sc/docs/stdterms.htm>), [evaluation modules](#), and [samples](http://www.ti.com/sc/docs/sampterm.htm) (<http://www.ti.com/sc/docs/sampterm.htm>).

Mailing Address: Texas Instruments, Post Office Box 655303, Dallas, Texas 75265
Copyright © 2017, Texas Instruments Incorporated