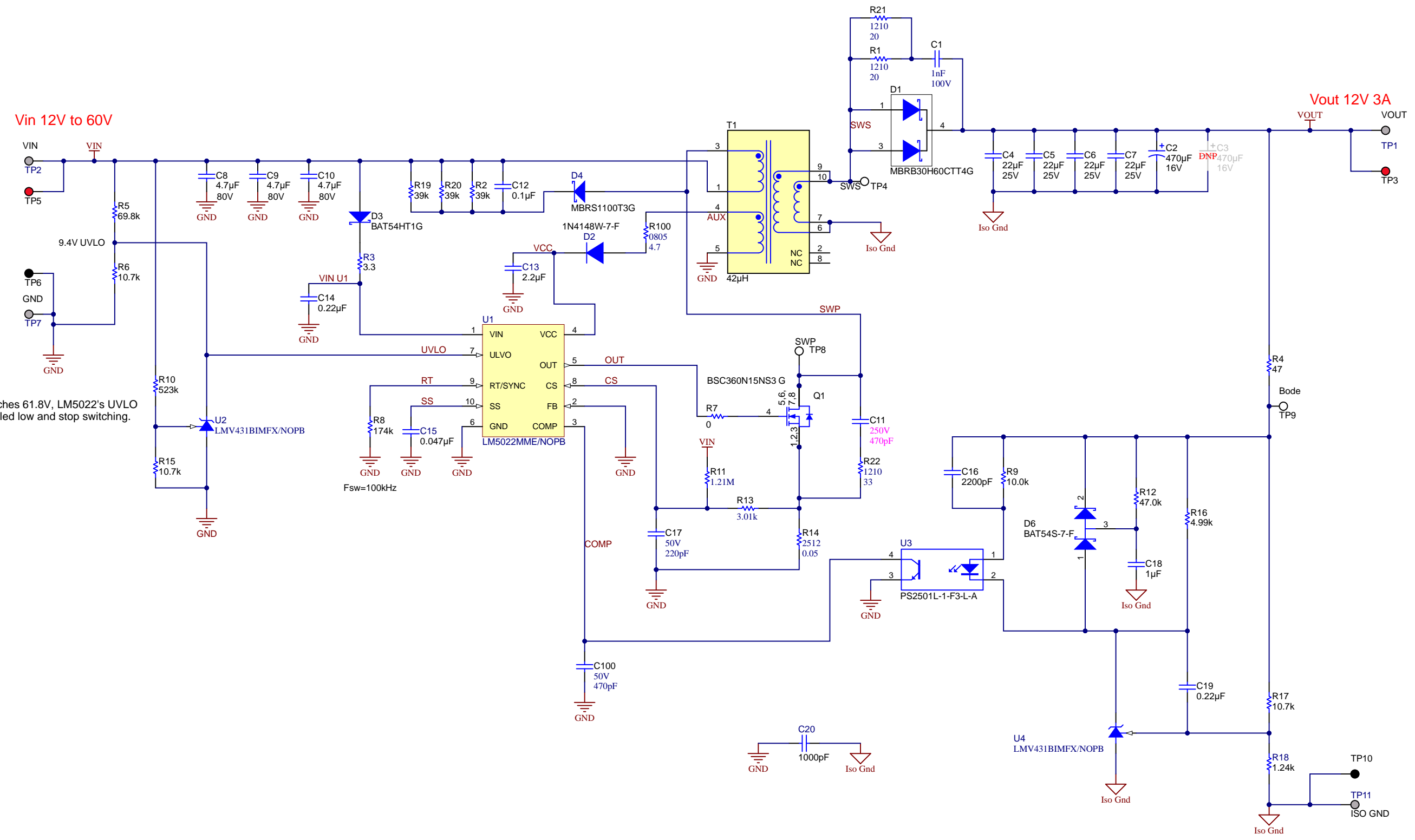


Vin 12V to 60V

Vout 12V 3A

Vin OVP:
When Vin reaches 61.8V, LM5022's UVLO pin will get pulled low and stop switching.



Orderable: N/A	Designed for: Public Release	Mod. Date: 12/2/2024
TID #: N/A	Project Title: LM5022 36W Wide Vin Flyback	
Number: PMP20551	Rev: B	Sheet Title:
SVN Rev: Not in version control	Assembly Variant: 001	Sheet: 1 of 2
Drawn By: D Strasser	File: PMP20551_REV.B.SchDoc	Size: B
Engineer: Xinyu Dai	Contact: N/A	

Texas Instruments and/or its licensors do not warrant the accuracy or completeness of this specification or any information contained therein. Texas Instruments and/or its licensors do not warrant that this design will meet the specifications, will be suitable for your application or fit for any particular purpose, or will operate in an implementation. Texas Instruments and/or its licensors do not warrant that the design is production worthy. You should completely validate and test your design implementation to confirm the system functionality for your application.



© Texas Instruments 2024



PCB Number: PMP20551
PCB Rev: A

Logo1
PCB
LOGO
WEEE logo

Logo2
PCB
LOGO
FCC disclaimer


Rev B

- Build on PMP20551 Rev A PCB
- REFDES higher than 99 not on PCB (added C100 and R100)
- Add via between top and bottom GND planes by U3-3
- Populated R21 and changed value
- Changed value and package size of R14
- Changed value of R1, R11, R13, R22, C17
- Changed value and voltage rating of C1
- Changed voltage rating of C11

Label Table	
Variant	Label Text
001	

- ZZ1
Assembly Note
 These assemblies are ESD sensitive, ESD precautions shall be observed.
- ZZ2
Assembly Note
 These assemblies must be clean and free from flux and all contaminants. Use of no clean flux is not acceptable.
- ZZ3
Assembly Note
 These assemblies must comply with workmanship standards IPC-A-610 Class 2, unless otherwise specified.

Texas Instruments and/or its licensors do not warrant the accuracy or completeness of this specification or any information contained therein. Texas Instruments and/or its licensors do not warrant that this design will meet the specifications, will be suitable for your application or fit for any particular purpose, or will operate in an implementation. Texas Instruments and/or its licensors do not warrant that the design is production worthy. You should completely validate and test your design implementation to confirm the system functionality for your application.

Orderable: N/A	Designed for: Public Release	Mod. Date: 12/2/2024	 http://www.ti.com <small>© Texas Instruments 2024</small>
TID #: N/A	Project Title: LM5022 36W Wide Vin Flyback		
Number: PMP20551	Rev: B	Sheet Title:	
SVN Rev: Not in version control	Assembly Variant: 001	Sheet: 2 of 2	
Drawn By:	File: PMP20551_REVB_Hardware.SchDoc	Size: B	
Engineer: Xinyu Dai	Contact: N/A		

IMPORTANT NOTICE AND DISCLAIMER

TI PROVIDES TECHNICAL AND RELIABILITY DATA (INCLUDING DATA SHEETS), DESIGN RESOURCES (INCLUDING REFERENCE DESIGNS), APPLICATION OR OTHER DESIGN ADVICE, WEB TOOLS, SAFETY INFORMATION, AND OTHER RESOURCES "AS IS" AND WITH ALL FAULTS, AND DISCLAIMS ALL WARRANTIES, EXPRESS AND IMPLIED, INCLUDING WITHOUT LIMITATION ANY IMPLIED WARRANTIES OF MERCHANTABILITY, FITNESS FOR A PARTICULAR PURPOSE OR NON-INFRINGEMENT OF THIRD PARTY INTELLECTUAL PROPERTY RIGHTS.

These resources are intended for skilled developers designing with TI products. You are solely responsible for (1) selecting the appropriate TI products for your application, (2) designing, validating and testing your application, and (3) ensuring your application meets applicable standards, and any other safety, security, regulatory or other requirements.

These resources are subject to change without notice. TI grants you permission to use these resources only for development of an application that uses the TI products described in the resource. Other reproduction and display of these resources is prohibited. No license is granted to any other TI intellectual property right or to any third party intellectual property right. TI disclaims responsibility for, and you will fully indemnify TI and its representatives against, any claims, damages, costs, losses, and liabilities arising out of your use of these resources.

TI's products are provided subject to [TI's Terms of Sale](#) or other applicable terms available either on [ti.com](https://www.ti.com) or provided in conjunction with such TI products. TI's provision of these resources does not expand or otherwise alter TI's applicable warranties or warranty disclaimers for TI products.

TI objects to and rejects any additional or different terms you may have proposed.

Mailing Address: Texas Instruments, Post Office Box 655303, Dallas, Texas 75265
Copyright © 2024, Texas Instruments Incorporated