

ATL431LI-Q1 / ATL432LI-Q1 High Bandwidth Low- I_Q Programmable Shunt Regulator

1 Features

- Qualified for automotive applications
- AEC-Q100 qualified with the following results:
 - Device temperature grade 1: -40°C to $+125^{\circ}\text{C}$ ambient operating temperature
- Reference voltage tolerance at 25°C
 - 0.5% (B grade)
 - 1% (A grade)
- Minimum typical output voltage: 2.5 V
- Adjustable output voltage: V_{ref} to 36 V
- Operation from -40°C to $+125^{\circ}\text{C}$
- 27 mV maximum temperature drift
- 0.3- Ω typical output impedance
- Sink-current capability
 - $I_{\text{min}} = 0.08 \text{ mA}$ (max)
 - $I_{\text{KA}} = 15 \text{ mA}$ (max)
- Reference input current I_{REF} : 0.4 μA (max)
- Deviation of reference input current over temperature, $I_{\text{I(dev)}}$: 0.3 μA (max)

2 Applications

- [Inverter and motor control](#)
- [DC/DC converter](#)
- [LED lighting](#)
- [On-board charger \(OBC\)](#)
- [Infotainment and cluster](#)

3 Description

The ATL43xLI-Q1 is a three-terminal adjustable shunt regulator, with specified thermal stability over applicable automotive, commercial, and military temperature ranges. Its output voltage can be set to any value between V_{ref} (approximately 2.5 V) and 36 V with two external resistors. The device has a typical output impedance of 0.3 Ω . Its active output circuitry provides a very sharp turn-on characteristic, making it an excellent replacement for Zener diodes in many applications, such as onboard regulation, adjustable power supplies, and switching power supplies. This device is a pin-to-pin alternative to the TL431LI-Q1 and TL432LI-Q1, with lower minimum operating current to help reduce system power consumption. The ATL432LI-Q1 has exactly the same functionality and electrical specifications as the ATL431LI-Q1, but has a different pinout for the DBZ package.

The ATL431LI-Q1 is offered in two grades, with initial tolerances (at 25°C) of 0.5%, and 1%, for the B and A grade, respectively. The ATL43xLI-Q1 is characterized for operation from -40°C to $+125^{\circ}\text{C}$, and its low output drift versus temperature ensures good stability over the entire temperature range.

Device Information⁽¹⁾

PART NUMBER	PACKAGE (PIN)	BODY SIZE (NOM)
ATL43xLI	SOT-23 (3)	2.90 mm x 1.30 mm

(1) For all available packages, see the orderable addendum at the end of the data sheet.

Simplified Schematic

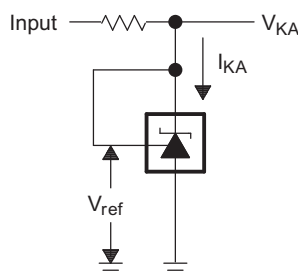


Table of Contents

1 Features	1	9.4 Device Functional Modes.....	13
2 Applications	1	10 Applications and Implementation	14
3 Description	1	10.1 Application Information.....	14
4 Revision History	2	10.2 Typical Applications	14
5 Device Comparison Table	3	10.3 System Examples	24
6 Pin Configuration and Functions	3	11 Power Supply Recommendations	27
7 Specifications	4	12 Layout	27
7.1 Absolute Maximum Ratings	4	12.1 Layout Guidelines	27
7.2 ESD Ratings.....	4	12.2 Layout Example	27
7.3 Recommended Operating Conditions.....	4	13 Device and Documentation Support	28
7.4 Thermal Information	4	13.1 Device Support.....	28
7.5 Electrical Characteristics.....	5	13.2 Documentation Support	28
7.6 Typical Characteristics.....	6	13.3 Related Links	28
8 Parameter Measurement Information	9	13.4 Receiving Notification of Documentation Updates	28
8.1 Temperature Coefficient.....	9	13.5 Support Resources	28
8.2 Dynamic Impedance	10	13.6 Trademarks	28
9 Detailed Description	11	13.7 Electrostatic Discharge Caution.....	29
9.1 Overview	11	13.8 Glossary	29
9.2 Functional Block Diagram	11	14 Mechanical, Packaging, and Orderable	29
9.3 Feature Description.....	13	Information	29

4 Revision History

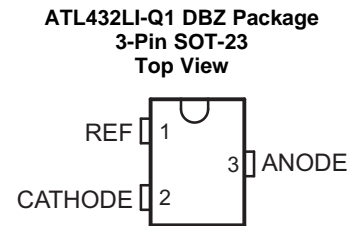
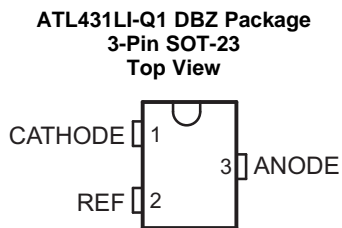
NOTE: Page numbers for previous revisions may differ from page numbers in the current version.

Changes from Original (May 2019) to Revision A	Page
• Changed device status from Advance Information to Production Data	1

5 Device Comparison Table

DEVICE PINOUT	INITIAL ACCURACY	OPERATING FREE-AIR TEMPERATURE (T _A)
ATL431LI-Q1 ATL432LI-Q1	A: 1% B: 0.5%	Q: -40°C to 125°C

6 Pin Configuration and Functions



Pin Functions

NAME	PIN		TYPE	DESCRIPTION
	ATL431LI-Q1	ATL432LI-Q1		
	DBZ	DBZ		
ANODE	3	3	O	Common pin, normally connected to ground
CATHODE	1	2	I/O	Shunt Current/Voltage input
REF	2	1	I	Threshold relative to common anode

7 Specifications

7.1 Absolute Maximum Ratings

over operating free-air temperature range (unless otherwise noted)⁽¹⁾

		MIN	MAX	UNIT
V _{KA}	Cathode Voltage ⁽²⁾		37	V
I _{KA}	Continuous Cathode Current Range	-10	18	mA
I _{I(ref)}	Reference Input Current	-5	10	mA
T _J	Operating Junction Temperature Range	-40	150	C
T _{stg}	Storage Temperature Range	-65	150	C

- (1) Stresses beyond those listed under *Absolute Maximum Ratings* may cause permanent damage to the device. These are stress ratings only, which do not imply functional operation of the device at these or any other conditions beyond those indicated under *Recommended Operating Conditions*. Exposure to absolute-maximum-rated conditions for extended periods may affect device reliability.
- (2) All voltage values are with respect to ANODE, unless otherwise noted.

7.2 ESD Ratings

			VALUE	UNIT
V _(ESD)	Electrostatic discharge	Human body model (HBM), per AEC Q100-002 ⁽¹⁾	±4000	V
		Charged-device model (CDM), per AEC Q100-011	±1000	

- (1) AEC Q100-002 indicates that HBM stressing shall be in accordance with the ANSI/ESDA/JEDEC JS-001 specification

7.3 Recommended Operating Conditions

			MIN	MAX	UNIT
V _{KA}	Cathode Voltage		V _{REF}	36	V
I _{KA}	Continuous Cathode Current Range		0.08	15	mA
T _A	Operating Free-Air Temperature ⁽¹⁾	ATL43xLIxQ	-40	125	C

- (1) Maximum power dissipation is a function of T_{J(max)}, θ_{JA}, and T_A. The maximum allowable power dissipation at any allowable ambient temperature is P_D = (T_{J(max)} - T_A)/θ_{JA}. Operating at the absolute maximum T_J can affect reliability. See the [Semiconductor and IC Package Thermal Metrics Application Report](#) for more information.

7.4 Thermal Information

THERMAL METRIC ⁽¹⁾		ATL43xLI	UNIT
		DBZ	
		3 PINS	
R _{θJA}	Junction-to-ambient thermal resistance	371.7	C/W
R _{θJC(top)}	Junction-to-case (top) thermal resistance	145.9	C/W
R _{θJB}	Junction-to-board thermal resistance	104.7	C/W
ψ _{JT}	Junction-to-top characterization parameter	23.9	C/W
ψ _{JB}	Junction-to-board characterization parameter	102.9	C/W

- (1) For more information about traditional and new thermal metrics, see the [Semiconductor and IC Package Thermal Metrics Application Report](#).

7.5 Electrical Characteristics

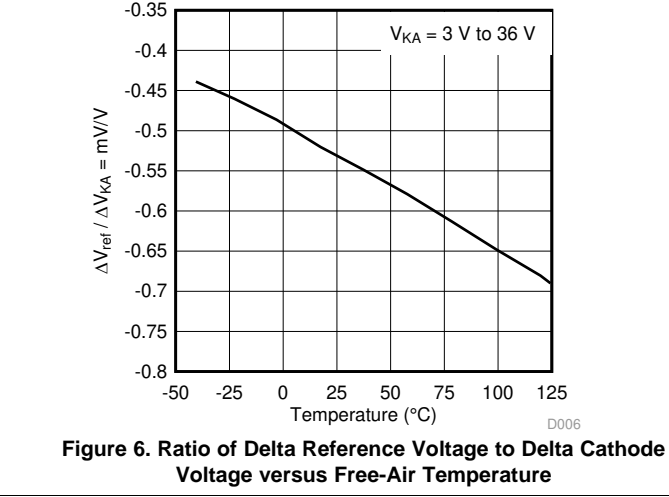
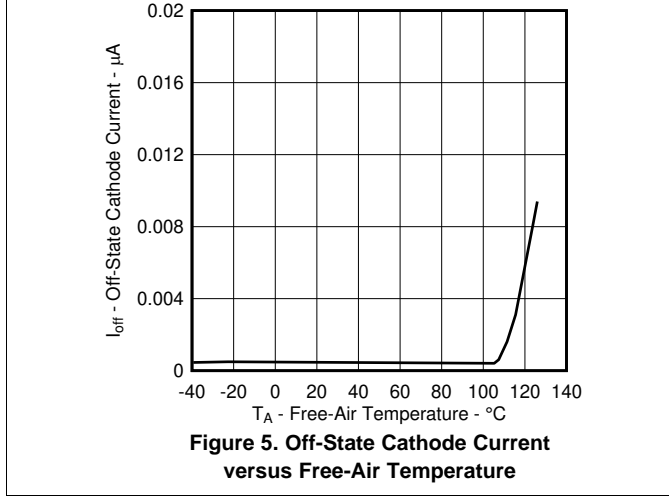
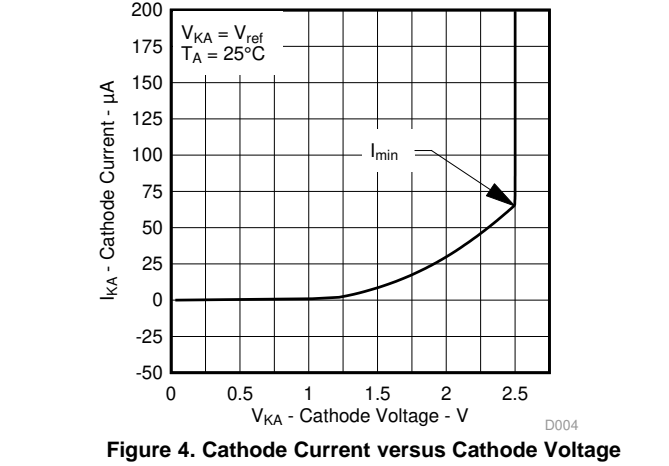
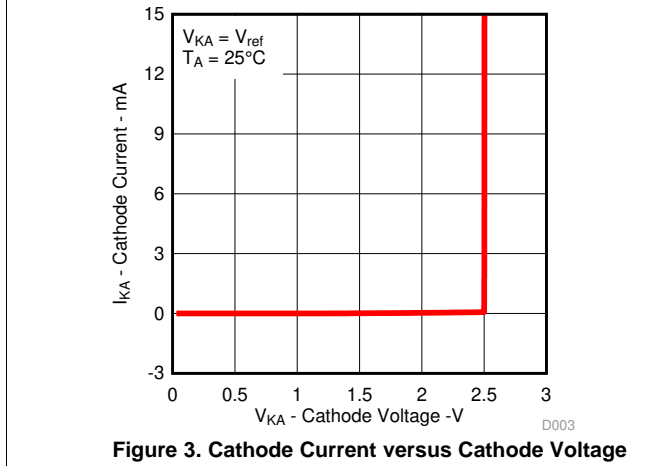
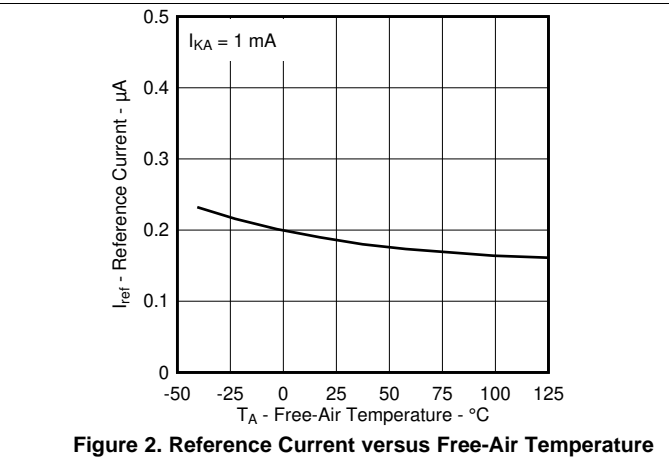
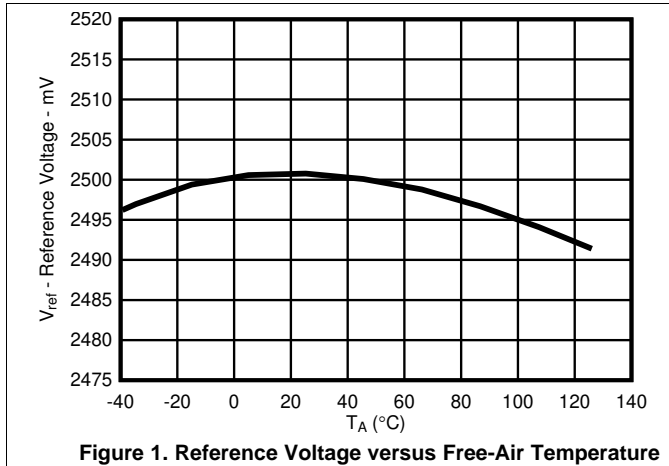
over recommended operating conditions, $T_A = 25^\circ\text{C}$ (unless otherwise noted)

PARAMETER	TEST CIRCUIT	TEST CONDITIONS	MIN	TYP	MAX	UNIT		
V_{REF}	Reference Voltage	See Figure 17	$V_{\text{KA}} = V_{\text{ref}}, I_{\text{KA}} = 1 \text{ mA}$	ATL43xLlAx devices	2475	2500	2525	mV
				ATL43xLlBx devices	2487	2500	2512	mV
$V_{\text{I(dev)}}$	Deviation of reference input voltage over full temperature range ⁽¹⁾	See Figure 17		10	27	mV		
$\frac{\Delta V_{\text{ref}}}{\Delta V_{\text{KA}}}$	Ratio of change in reference voltage to the change in cathode voltage	See Figure 18	$I_{\text{KA}} = 1 \text{ mA}$	$\Delta V_{\text{KA}} = 10 \text{ V} - V_{\text{ref}}$	-1.4	-2.7	mV/V	
				$\Delta V_{\text{KA}} = 36 \text{ V} - 10 \text{ V}$	-1	-2	mV/V	
I_{ref}	Reference Input Current	See Figure 18	$I_{\text{KA}} = 1 \text{ mA}, R1 = 10\text{k}\Omega, R2 = \infty$			0.2	0.4	μA
$I_{\text{I(dev)}}$	Deviation of reference input current over full temperature range ⁽¹⁾	See Figure 18	$I_{\text{KA}} = 1 \text{ mA}, R1 = 10\text{k}\Omega, R2 = \infty$			0.1	0.3	μA
I_{min}	Minimum cathode current for regulation	See Figure 17	$V_{\text{KA}} = V_{\text{ref}}$			65	80	μA
I_{off}	Off-state cathode current	See Figure 19	$V_{\text{KA}} = 36 \text{ V}, V_{\text{ref}} = 0$			0.1	1	μA
$ Z_{\text{KA}} $	Dynamic Impedance ⁽²⁾	See Figure 17	$V_{\text{KA}} = V_{\text{ref}}, I_{\text{KA}} = 1 \text{ mA to } 15 \text{ mA}$			0.65	0.75	Ω

- (1) The deviation parameters $V_{\text{I(dev)}}$ and $I_{\text{I(dev)}}$ are defined as the differences between the maximum and minimum values obtained over the rated temperature range. For more details on $V_{\text{I(dev)}}$ and how it relates to the average temperature coefficient, see the [Temperature Coefficient](#) section.
- (2) The dynamic impedance is defined by $|Z_{\text{KA}}| = \Delta V_{\text{KA}} / \Delta I_{\text{KA}}$. For more details on $|Z_{\text{KA}}|$ and how it relates to V_{out} , see the [Temperature Coefficient](#) section.

7.6 Typical Characteristics

Data at high and low temperatures are applicable only within the recommended operating free-air temperature ranges of the various devices.



Typical Characteristics (continued)

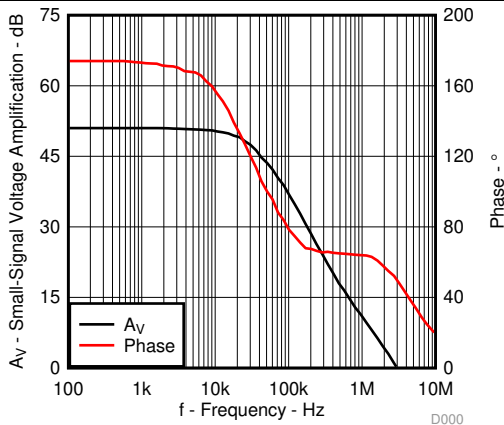


Figure 7. Small-Signal Voltage Amplification versus Frequency

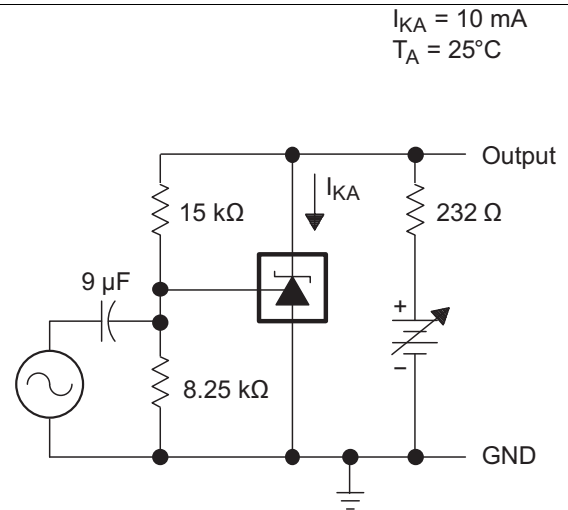


Figure 8. Test Circuit for Voltage Amplification

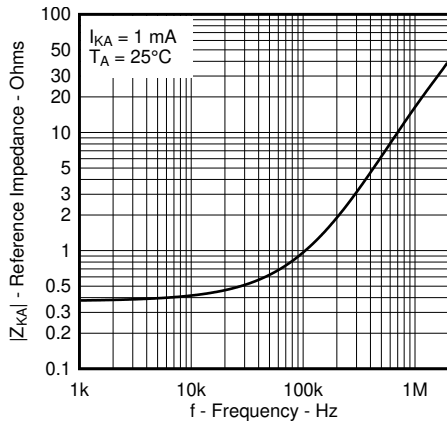


Figure 9. Reference Impedance versus Frequency

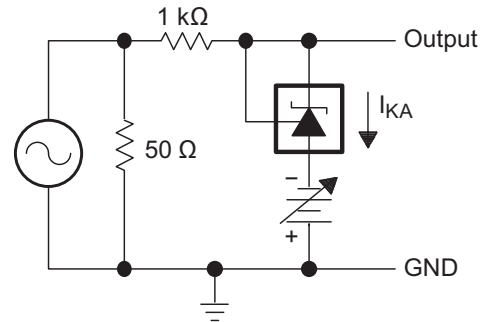


Figure 10. Test Circuit for Reference Impedance

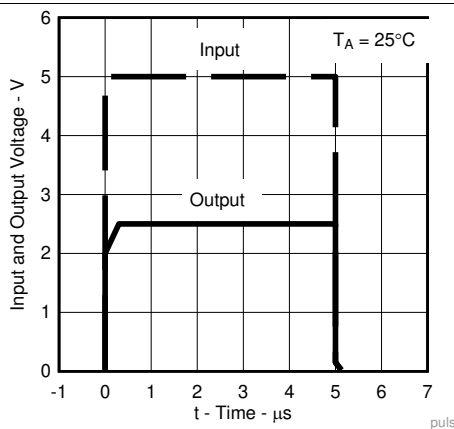


Figure 11. Pulse Response

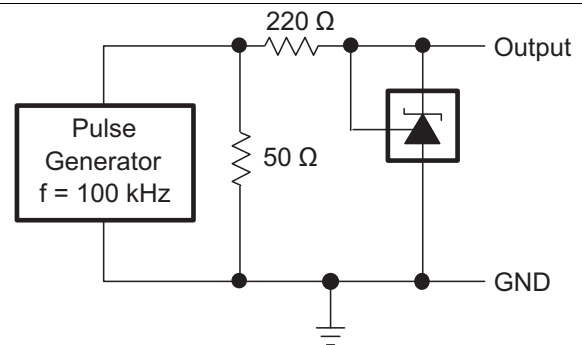
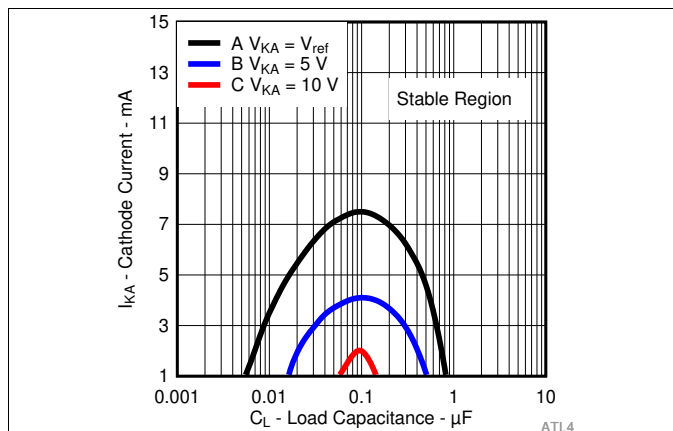


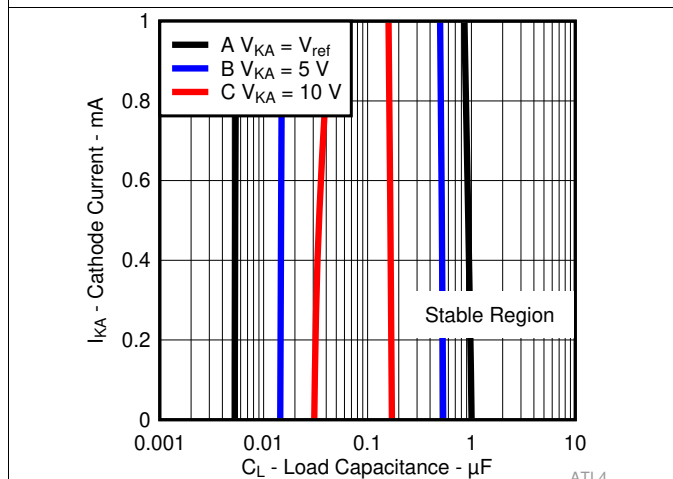
Figure 12. Test Circuit for Pulse Response

Typical Characteristics (continued)



The areas under the curves represent conditions that may cause the device to oscillate. For curves B and C, R2 and V+ are adjusted to establish the initial V_{KA} and I_{KA} conditions, with $C_L = 0$. V_{BATT} and C_L then are adjusted to determine the ranges of stability.

Figure 13. Stability Boundary Conditions for All ATL431LI-Q1, ATL432LI-Q1 Devices Above 1 mA



The areas in-between the curves represent conditions that may cause the device to oscillate. For curves B and C, R2 and V+ are adjusted to establish the initial V_{KA} and I_{KA} conditions, with $C_L = 0$. V_{BATT} and C_L then are adjusted to determine the ranges of stability.

Figure 15. Stability Boundary Conditions for All ATL431LI-Q1, ATL432LI-Q1 Devices Below 1 mA

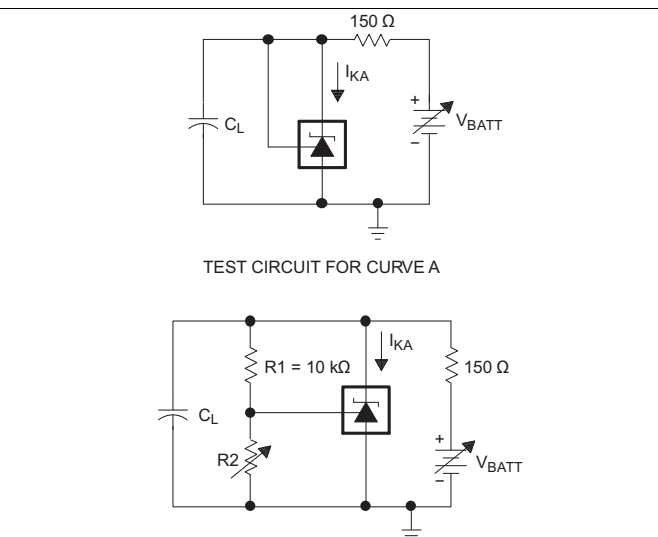


Figure 14. Test Circuit for Stability Boundary Conditions

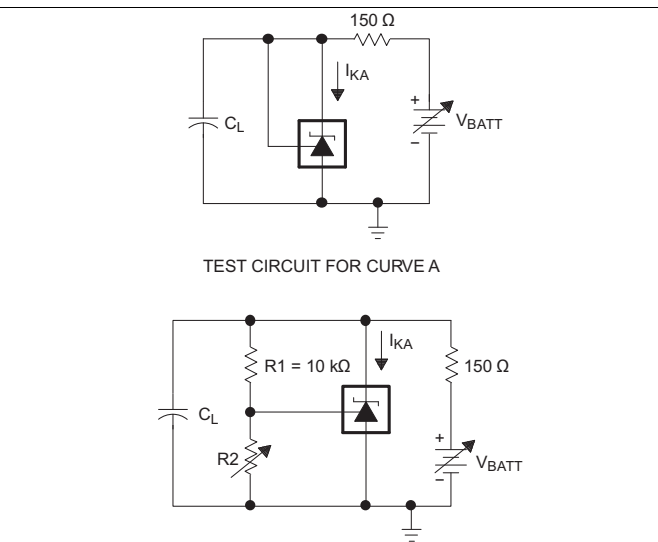


Figure 16. Test Circuit for Stability Boundary Conditions

8 Parameter Measurement Information

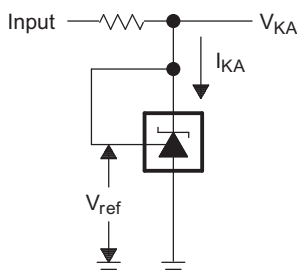


Figure 17. Test Circuit for $V_{KA} = V_{ref}$

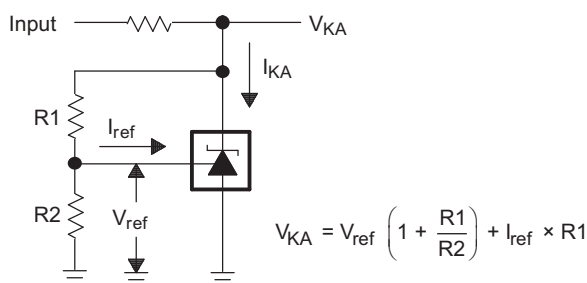


Figure 18. Test Circuit for $V_{KA} > V_{ref}$

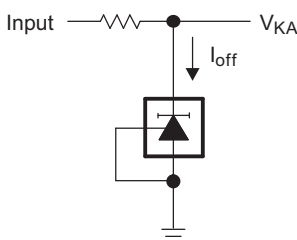


Figure 19. Test Circuit for I_{off}

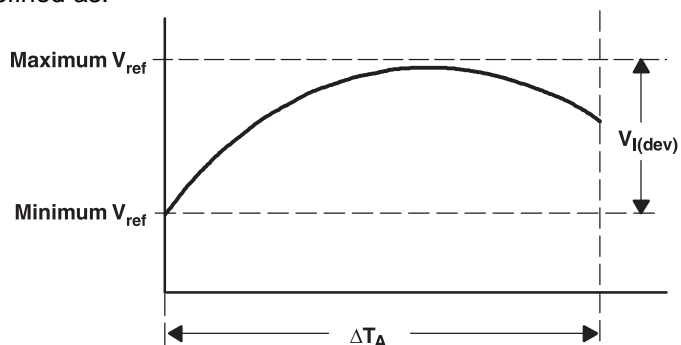
8.1 Temperature Coefficient

The deviation of the reference voltage, V_{ref} , over the full temperature range is known as $V_{I(dev)}$. The parameter of $V_{I(dev)}$ can be used to find the temperature coefficient of the device. The average full-range temperature coefficient of the reference input voltage, $\alpha_{V_{ref}}$, is defined as:

$$\left| \alpha_{V_{ref}} \right| \left(\frac{\text{ppm}}{^{\circ}\text{C}} \right) = \frac{\left(\frac{V_{I(dev)}}{V_{ref} \text{ at } 25^{\circ}\text{C}} \right) \times 10^6}{\Delta T_A}$$

where:

ΔT_A is the rated operating temperature range of the device.



$\alpha_{V_{ref}}$ is positive or negative, depending on whether minimum V_{ref} or maximum V_{ref} , respectively, occurs at the lower temperature. The full-range temperature coefficient is an average and, therefore, any subsection of the rated operating temperature range can yield a value that is greater or less than the average. For more details on temperature coefficient, refer to the [Voltage Reference Selection Basics White Paper](#).

8.2 Dynamic Impedance

The dynamic impedance is defined as: $|Z_{KA}| = \frac{\Delta V_{KA}}{\Delta I_{KA}}$. When the device is operating with two external resistors (see Figure 18), the total dynamic impedance of the circuit is given by: $|Z'| = \frac{\Delta V}{\Delta I}$, which is approximately equal to $|Z_{KA}| \left(1 + \frac{R1}{R2} \right)$.

The V_{KA} of the ATL431LI-Q1 can be affected by the dynamic impedance. The ATL431LI-Q1 test current I_{test} for V_{KA} is specified in the *Electrical Characteristics*. Any deviation from I_{test} can cause deviation on the output V_{KA} . Figure 20 shows the effect of the dynamic impedance on the V_{KA} .

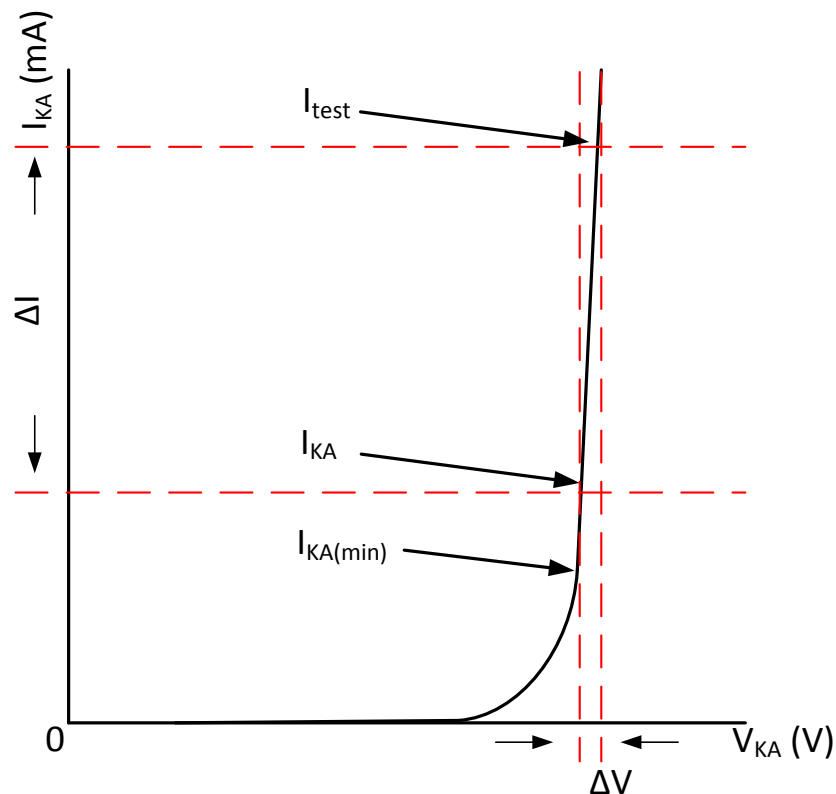


Figure 20. Dynamic Impedance

9 Detailed Description

9.1 Overview

This standard device has proven ubiquity and versatility across a wide range of applications, ranging from power to signal path. This is due to its key components containing an accurate voltage reference and op amp, which are very fundamental analog building blocks. The ATL431LI-Q1 is used in conjunction with the key components to behave as the following:

- Single voltage reference
- Error amplifier
- Voltage clamp
- Comparator with integrated reference

ATL431LI-Q1 can be operated and adjusted to cathode voltages from 2.5 V to 36 V, making this part optimal for a wide range of end equipments in industrial, auto, telecom, and computing. For this device to behave as a shunt regulator or error amplifier, $>80 \mu\text{A}$ (I_{min} (maximum)) must be supplied in to the cathode pin. Under this condition, feedback can be applied from the Cathode and Ref pins to create a replica of the internal reference voltage.

Various reference voltage options can be purchased with initial tolerances (at 25°C) of 0.5% and 1%. These reference options are denoted by B (0.5%) and A (1.0%) after the ATL431LI-Q1 or ATL432LI-Q1. ATL431LI-Q1 and ATL432LI-Q1 are both functionally the same, but have different pinout options. The ATL43xLI-Q1 devices are characterized for operation from -40°C to $+125^{\circ}\text{C}$.

9.2 Functional Block Diagram

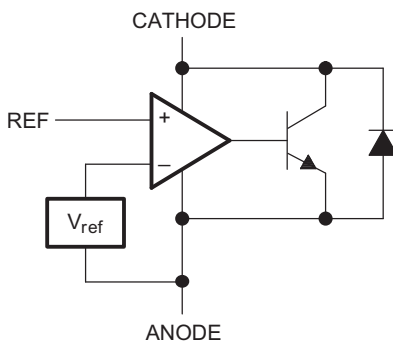


Figure 21. Equivalent Schematic

Functional Block Diagram (continued)

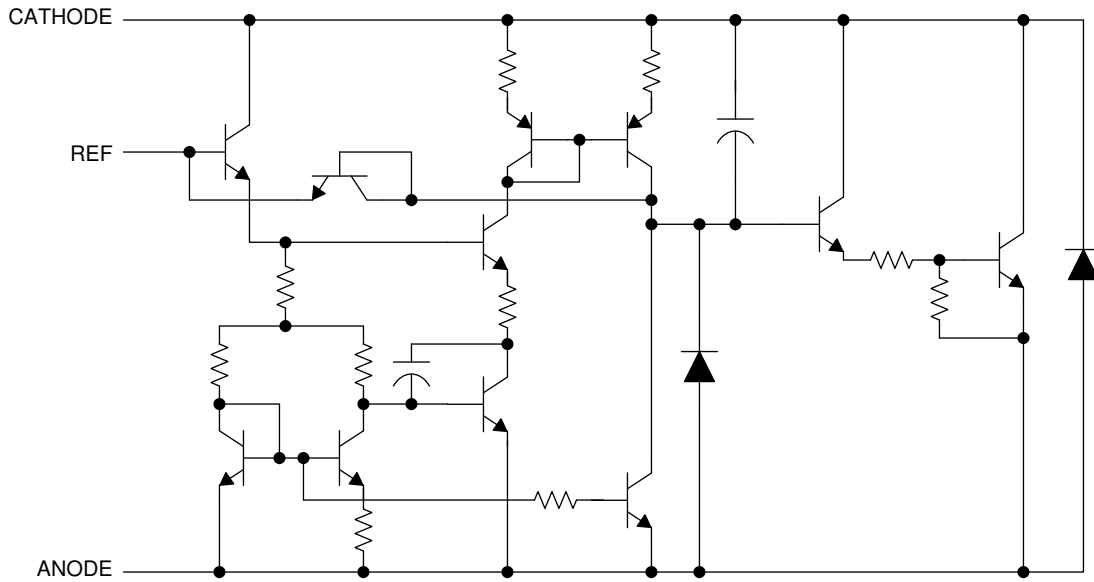


Figure 22. Detailed Schematic

9.3 Feature Description

The ATL431LI-Q1 consists of an internal reference and amplifier that outputs a sink current based on the difference between the reference pin and the virtual internal pin. The sink current is produced by the internal Darlington pair, shown in [Figure 21](#). A Darlington pair is used for this device to be able to sink a maximum current of 15 mA.

When operated with enough voltage headroom (≥ 2.5 V) and cathode current (I_{KA}), the ATL431LI-Q1 forces the reference pin to 2.5 V. However, the reference pin cannot be left floating, as it needs $I_{REF} \geq 0.4$ μ A (see the [Specifications](#)). This is because the reference pin is driven into an NPN, which needs base current to operate properly.

When feedback is applied from the Cathode and Reference pins, the ATL431LI-Q1 behaves as a Zener diode, regulating to a constant voltage dependent on current being supplied into the cathode. This is due to the internal amplifier and reference entering the proper operating regions. The same amount of current needed in the above feedback situation must be applied to this device in open loop, servo, or error amplifying implementations for it to be in the proper linear region giving ATL431LI-Q1 enough gain.

Unlike many linear regulators, ATL431LI-Q1 is internally compensated to be stable without an output capacitor between the cathode and anode. However, if it is desired to use an output capacitor [Figure 13](#) can be used as a guide to assist in choosing the correct capacitor to maintain stability.

9.4 Device Functional Modes

9.4.1 Open Loop (Comparator)

When the cathode/output voltage or current of ATL431LI-Q1 is not being fed back to the reference/input pin in any form, this device is operating in open loop. With proper cathode current (I_{KA}) applied to this device, the ATL431LI-Q1 has the characteristics shown in [Figure 21](#). With such high gain in this configuration, the ATL431LI-Q1 is typically used as a comparator. With the reference integrated makes ATL431LI-Q1 the preferred choice when users are trying to monitor a certain level of a single signal.

9.4.2 Closed Loop

When the cathode/output voltage or current of the ATL431LI-Q1 is being fed back to the reference/input pin in any form, this device is operating in closed loop. The majority of applications involving ATL431LI-Q1 use it in this manner to regulate a fixed voltage or current. The feedback enables this device to behave as an error amplifier, computing a portion of the output voltage and adjusting it to maintain the desired regulation. This is done by relating the output voltage back to the reference pin in a manner to make it equal to the internal reference voltage, which can be accomplished via resistive or direct feedback.

10 Applications and Implementation

NOTE

Information in the following applications sections is not part of the TI component specification, and TI does not warrant its accuracy or completeness. TI's customers are responsible for determining suitability of components for their purposes. Customers should validate and test their design implementation to confirm system functionality.

10.1 Application Information

As this device has many applications and setups, there are many situations that this data sheet cannot characterize in detail. The linked application note will help the designer make the best choices when using this part.

[Setting the Shunt Voltage on an Adjustable Shunt Regulator Application Note](#) assists with setting the shunt voltage to achieve optimum accuracy for this device.

10.2 Typical Applications

10.2.1 Comparator With Integrated Reference

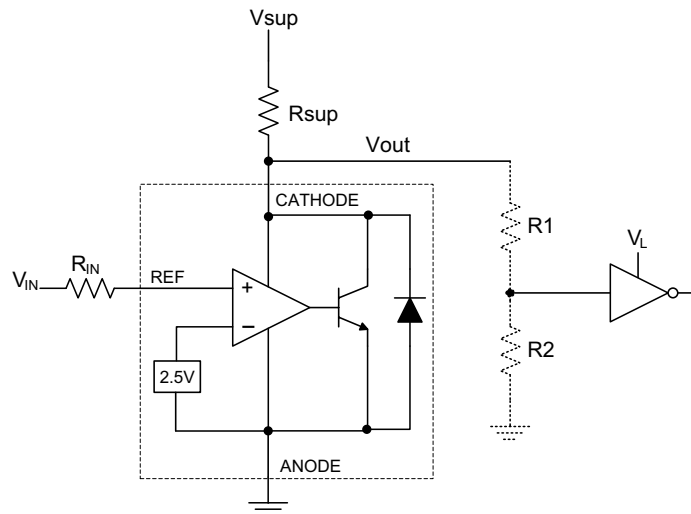


Figure 23. Comparator Application Schematic

Typical Applications (continued)

10.2.2 Design Requirements

For this design example, use the parameters listed in [Table 1](#) as the input parameters.

Table 1. Design Parameters

DESIGN PARAMETER	EXAMPLE VALUE
Input Voltage Range	0 V to 5 V
Input Resistance	10 k Ω
Supply Voltage	24 V
Cathode Current (I_K)	5 mA
Output Voltage Level	$\sim 2\text{ V} - V_{SUP}$
Logic Input Thresholds VIH/VIL	V_L

10.2.3 Detailed Design Procedure

When using the ATL431LI-Q1 as a comparator with reference, determine the following:

- Input voltage range
- Reference voltage accuracy
- Output logic input high and low level thresholds
- Current source resistance

10.2.3.1 Basic Operation

In the configuration shown in [Figure 23](#), the ATL431LI-Q1 behaves as a comparator, comparing the V_{REF} pin voltage to the internal virtual reference voltage. When provided a proper cathode current (I_K), ATL431LI-Q1 has enough open-loop gain to provide a quick response. This can be seen in [Figure 24](#) where the $R_{SUP} = 10\text{ k}\Omega$ ($I_{KA} = 500\text{ }\mu\text{A}$) situation responds much slower than $R_{SUP} = 1\text{ k}\Omega$ ($I_{KA} = 5\text{ mA}$). With the ATL431LI-Q1 max operating current (I_{MIN}) being 1 mA, operation below that can result in low gain, leading to a slow response.

10.2.3.1.1 Overdrive

Slow or inaccurate responses can also occur when the reference pin is not provided enough overdrive voltage. This is the amount of voltage that is higher than the internal virtual reference. The internal virtual reference voltage is within the range of $2.5\text{ V} \pm(0.5\% \text{ or } 1.0\%)$ depending on which version is being used. The more overdrive voltage provided, the faster the ATL431LI-Q1 will respond.

For applications where ATL431LI-Q1 is being used as a comparator, it is best to set the trip point to greater than the positive expected error (that is +1.0% for the A version). For fast response, setting the trip point to >10% of the internal V_{REF} suffices.

For minimal voltage drop or difference from V_{in} to the ref pin, TI recommends to use an input resistor <10 k Ω to provide I_{ref} .

10.2.3.2 Output Voltage and Logic Input Level

For ATL431LI-Q1 to properly be used as a comparator, the logic output must be readable by the receiving logic device. This is accomplished by knowing the input high and low level threshold voltage levels, typically denoted by V_{IH} and V_{IL} .

As seen in Figure 24, the output low level voltage of the ATL431LI-Q1 in open-loop/comparator mode is approximately 2 V, which is typically sufficient for 5 V supplied logic. However, this does not work for 3.3 V and 1.8 V supplied logic. To accommodate this, a resistive divider can be tied to the output to attenuate the output voltage to a voltage legible to the receiving low voltage logic device.

The output high voltage of the ATL431 is equal to V_{SUP} due to ATL431LI-Q1 being open-collector. If V_{SUP} is much higher than the maximum input voltage tolerance of the receiving logic, the output must be attenuated to accommodate the reliability of the outgoing logic.

When using a resistive divider on the output, make sure the sum of the resistive divider (R_1 and R_2 in Figure 23) is much greater than R_{SUP} to not interfere with the ability of the ATL431LI-Q1 to pull close to V_{SUP} when turning off.

10.2.3.2.1 Input Resistance

The ATL431LI-Q1 requires an input resistance in this application to source the reference current (I_{REF}) needed from this device to be in the proper operating regions while turning on. The actual voltage seen at the ref pin is $V_{REF} = V_{IN} - I_{REF} \times R_{IN}$ because I_{REF} can be as high as 4 μA . TI recommends to use a resistance small enough that mitigates the error that I_{REF} creates from V_{IN} .

10.2.4 Application Curves

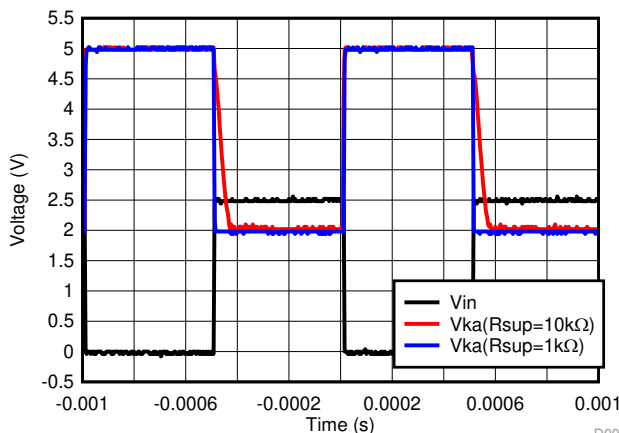


Figure 24. Output Response With Various Cathode Currents

10.2.5 Precision LED Lighting Current Sink Regulator

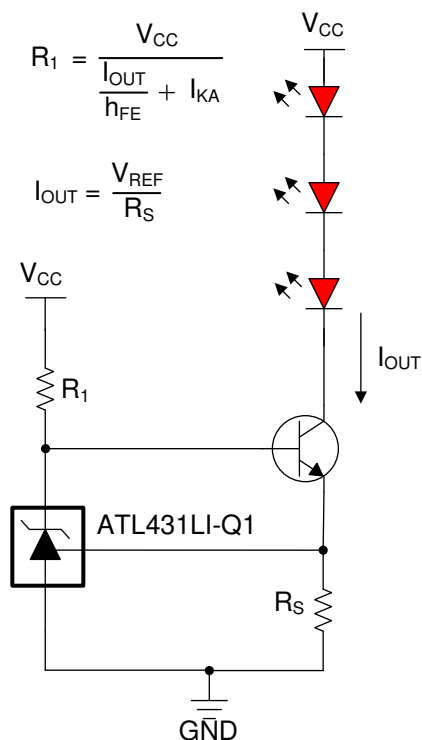


Figure 25. LED Lighting Current Sink Regulator

10.2.5.1 Design Requirements

For this design example, use the parameters listed in Table 1 as the input parameters.

Table 2. Design Parameters

DESIGN PARAMETER	EXAMPLE VALUE
Supply Voltage ($V_{(BATT)}$)	5 V
Sink Current (I_O)	100 mA
Cathode Current (I_k)	5 mA

10.2.5.2 Detailed Design Procedure

When using the ATL43xLI-Q1 as a constant current sink, determine the following:

- Output current range
- Output current accuracy
- Power consumption for the ATL43xLI-Q1

10.2.5.2.1 Basic Operation

In the configuration shown, the ATL43xLI-Q1 acts as a control component within a feedback loop of the constant current sink. Working with an external passing component such as a BJT, the ATL43xLI-Q1 provides precision current sink with accuracy set by itself and the sense resistor R_S . The LEDs are lit based on the desired current sink and regulated for accurate brightness and color.

10.2.5.2.1.1 Output Current Range and Accuracy

The output current range of the circuit is determined by the equation shown in the configuration. Keep in mind that the V_{REF} equals to 2.500 V. When choosing the sense resistor R_S , it needs to generate 2.500 V for the TL43xLI-Q1 when I_O reaches the target current. If the overhead voltage of 2.500 V is not acceptable, consider lower voltage reference devices such as the TLV43x-Q1 or TLVH43x-Q1.

The output current accuracy is determined by both the accuracy of the ATL43xLI-Q1 chosen, as well as the accuracy of the sense resistor R_S . The internal virtual reference voltage of ATL43xLI-Q1 is within the range of $2.500\text{ V} \pm(0.5\% \text{ or } 1.0\%)$, depending on which version is being used. Another consideration for the output current accuracy is the temperature coefficient of the ATL43xLI-Q1 and R_S . Refer to the for the specification of these parameters.

10.2.5.2.2 Power Consumption

For the ATL43xLI-Q1 to properly be used as a control component in this circuit, the minimum operating current needs to be reached. This is accomplished by setting the external biasing resistor in series with the ATL43xLI-Q1.

To achieve lower power consumption, the ATL43xLI-Q1 is used due to its $65\ \mu\text{A}$ typical minimum cathode current, I_{\min} .

10.2.6 Shunt Regulator/Reference

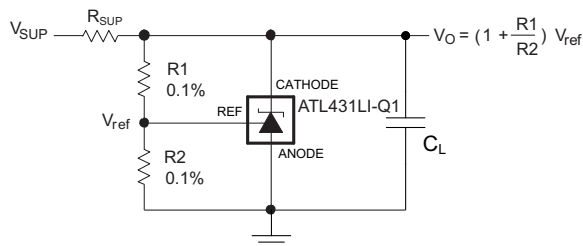


Figure 26. Shunt Regulator Schematic

10.2.6.1 Design Requirements

For this design example, use the parameters listed in [Table 1](#) as the input parameters.

Table 3. Design Parameters

DESIGN PARAMETER	EXAMPLE VALUE
Reference Initial Accuracy	1.0%
Supply Voltage	24 V
Cathode Current (I _k)	5 mA
Output Voltage Level	2.5 V–36 V
Load Capacitance	2 μF
Feedback Resistor Values and Accuracy (R1 and R2)	10 kΩ

10.2.6.2 Detailed Design Procedure

When using ATL431LI-Q1 as a shunt regulator, determine the following:

- Input voltage range
- Temperature range
- Total accuracy
- Cathode current
- Reference initial accuracy
- Output capacitance

10.2.6.2.1 Programming Output/Cathode Voltage

To program the cathode voltage to a regulated voltage, a resistive bridge must be shunted between the cathode and anode pins with the mid point tied to the reference pin. This can be seen in [Figure 26](#) with R1 and R2 being the resistive bridge. The cathode/output voltage in the shunt regulator configuration can be approximated by the equation shown in [Figure 26](#). The cathode voltage can be more accurate, which can be determined by taking in to account the cathode current:

$$V_o = (1 + R1/R2) \times V_{REF} - I_{REF} \times R1 \quad (1)$$

For this equation to be valid, the ATL431LI-Q1 must be fully biased so that it has enough open loop gain to mitigate any gain error. This can be done by meeting the I_{min} spec denoted in the [Specifications](#).

10.2.6.2.2 Total Accuracy

When programming the output above unity gain ($V_{KA} = V_{REF}$), the ATL431LI-Q1 is susceptible to other errors that can effect the overall accuracy beyond V_{REF} . These errors include:

- R1 and R2 accuracies
- $V_{I(dev)}$: Change in reference voltage over temperature
- $\Delta V_{REF} / \Delta V_{KA}$: Change in reference voltage to the change in cathode voltage
- $|z_{KA}|$: Dynamic impedance, causing a change in cathode voltage with cathode current

Worst case cathode voltage can be determined taking all of the variables in to account. The [Setting the Shunt Voltage on an Adjustable Shunt Regulator Application Note](#) assists designers in setting the shunt voltage to achieve optimum accuracy for this device.

10.2.6.2.3 Stability

Though ATL431LI-Q1 is stable with no capacitive load, the device that receives the output voltage of the shunt regulator can present a capacitive load that is within the ATL431LI-Q1 region of stability, shown in [Figure 13](#). Also, designers can use capacitive loads to improve the transient response or for power supply decoupling. When using additional capacitance between Cathode and Anode, see [Figure 13](#). Also, [Understanding Stability Boundary Conditions Charts in TL431, TL432 Data Sheet Application Note](#) provides a deeper understanding of the stability characteristics of this device and aids the user in making the right choices when choosing a load capacitor.

10.2.6.2.4 Start-Up Time

As shown in [Figure 27](#), the ATL431LI-Q1 has a fast response up to approximately 2 V and then slowly charges to its programmed value. This is due to the compensation capacitance (shown in [Figure 13](#)) the ATL43xLI-Q1 has to meet its stability criteria. Despite the secondary delay, ATL43xLI-Q1 still has a fast response suitable for many clamp applications.

10.2.6.3 Application Curves

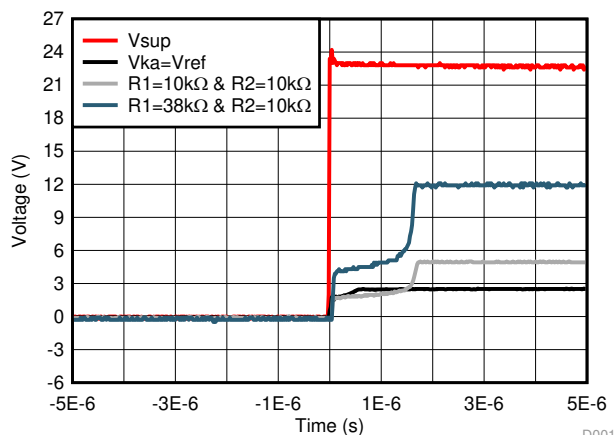


Figure 27. ATL43xLI-Q1 Start-Up Response

10.2.7 Isolated Flyback with Optocoupler

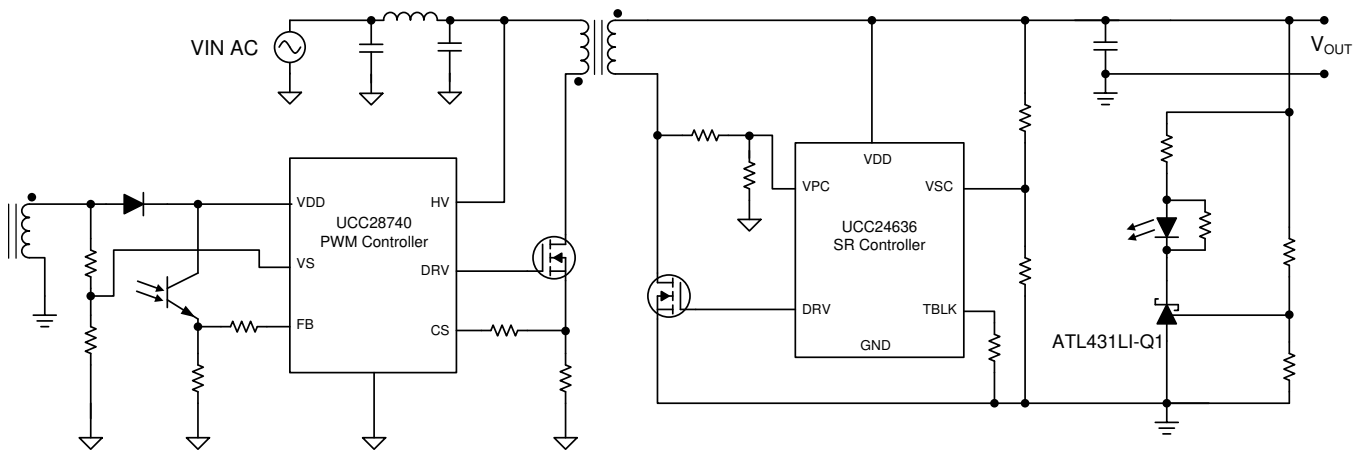


Figure 28. Isolated Flyback with Optocoupler

10.2.7.1 Design Requirements

The ATL431LI-Q1 is used in the feedback network on the secondary side for a isolated flyback with optocoupler design. Figure 28 shows the simplified flyback converter that used the ATL431LI-Q1. For this design example, use the parameters in Table 4 as the input parameters.

Table 4. Design Parameters

DESIGN PARAMETER	EXAMPLE VALUE
Voltage Output	20 V
Feedback Network Quiescent Current (I_q)	<40 mW

10.2.7.1.1 Detailed Design Procedure

In this example, a simplified design procedure will be discussed. The compensation network for the feedback network is beyond the scope of this section. Details on compensation network can be found in [Compensation Design with TL431 for UCC28600 Application Report](#).

The goal of this design is to design a low standby current feedback network to meet the Europe CoC Tier 2 and United States DoE Level VI requirements. To meet the design requirements, the system standby power needs to be below 75 mW. To meet this, the feedback network needs to consume less than 40 mW to allow margin for the power losses on the primary side controller and passive components. This can pose a challenge in systems greater than 10 V.

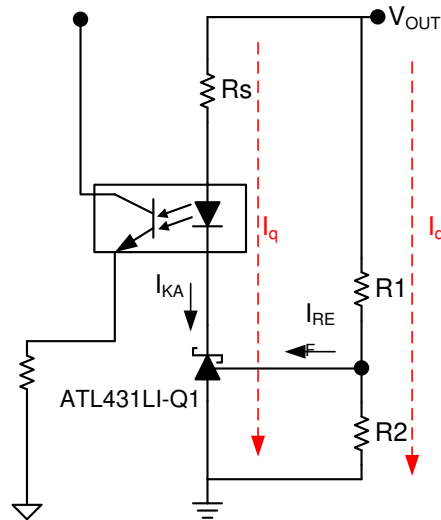


Figure 29. Feedback Quiescent Current

10.2.7.1.1.1 ATL431LI-Q1 Biasing

Figure 29 shows the simplified version of the feedback network. The standby I_q of the system is dependent on two paths: the ATL431LI-Q1 biasing path and the resistor feedback path. With the given design requirements, the total current through the feedback network cannot exceed 2 mA.

The design goal is to take full advantage of the I_{min} to set the I_{KA} of the ATL431LI-Q1. The benefit of the ATL431LI-Q1 is its low I_{min} of 80 μ A which allows the I_{KA} to be lower at a full load condition compared to typical TL431LI-Q1 devices. This helps lower the I_{KA} at the no-load condition which is higher than the full load condition due to the dynamic changes in the I_{KA} as the system load varies. The I_{KA} at no-load, I_{OPTNL} , is dependent the value of R_s which is the biasing resistor. R_s is very application-specific and is dependent on variables such as the CTR of the optocoupler, voltage, and current at no-load. This can be seen in Equation 2. It is possible to lower I_{OPTNL} to a value of 1.5 mA for a power loss of 30 mW by using an optocoupler with a high CTR.

$$R_s \approx (V_{OUT} - V_{OPTNL} - 2V) / I_{OPTNL}$$

V_{OPTNL} = Optocoupler Voltage at No – Load Conditions

I_{OPTNL} = Optocoupler Current at No – Load Conditions

(2)

10.2.7.1.1.2 Resistor Feedback Network

The feedback resistors set the output voltage of the secondary side and consume the same I_q at a fixed voltage. The design goal for the feedback resistor path is to minimize the resistor error while maintaining a low I_q . For this system example, the feedback network path in this design consumes 0.5 mA to allow enough current for ATL431LI-Q1 biasing. The resistors, R_1 and R_2 , are sized based on a 0.5 mA budget for I_q and I_{ref} . By using the resistor values from Equation 3 and Equation 4, the total power consumption is 10 mW. This can be further decreased by using larger resistors.

$$R_1 = (V_{OUT} - V_{REF}) / I_{FB}$$

$$R_1 = (20V - 2.5V) / 0.5mA$$

$$R_1 = 35k\Omega$$

(3)

$$R_2 = V_{REF} / (I_{FB} - I_{REF})$$

$$R_2 = 2.5V / (0.5mA - 0.4\mu A)$$

$$R_2 = 5.004k\Omega$$

(4)

10.2.8 Adjustable Reference for Tracking LDO

10.2.8.1 Design Requirements

The ATL431LI-Q1 is used as a reference voltage to help regulate a supply voltage off an LDO. By adjusting the cathode voltage, the output voltage of the LDO can vary. The TPS7B4250-Q1 is a voltage-tracking LDO with an adjustable pin which needs a precise reference voltage to change the regulate output voltage.

Table 5. Design Parameters

DESIGN PARAMETER	EXAMPLE VALUE
Input Voltage	4 V to 40 V
ADJ Reference Voltage	2.500 V–18 V
Output Voltage	2.500 V–18 V
Output Current Rating	50 mA
Output Capacitor Range	1 μ F to 50 μ F
Output Capacitor ESR Range	1 m Ω to 20 Ω

10.2.8.2 Detailed Design Procedure

The goal of this design is to create a precision and stable output stage using an LDO that requires an external voltage reference such as the TPS7B4250-Q1. To begin the design process, the input and desired output voltage range is required. The ATL431LI-Q1 can be adjusted between 2.5 V and 36 V so it covers most of the output voltage rating of TPS7B4250-Q1. For reference voltage under 2.5 V, the TLV431-Q1 voltage reference can be used. The input and output capacitor must also be taken into consideration for decoupling and stability.

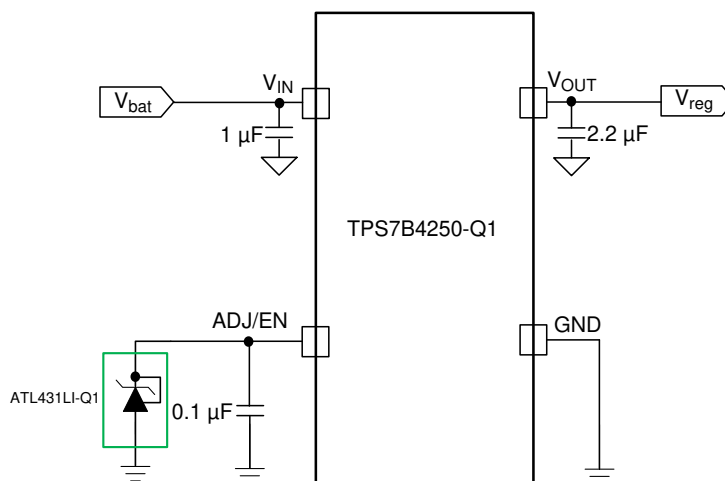


Figure 30. Feedback Quiescent Current

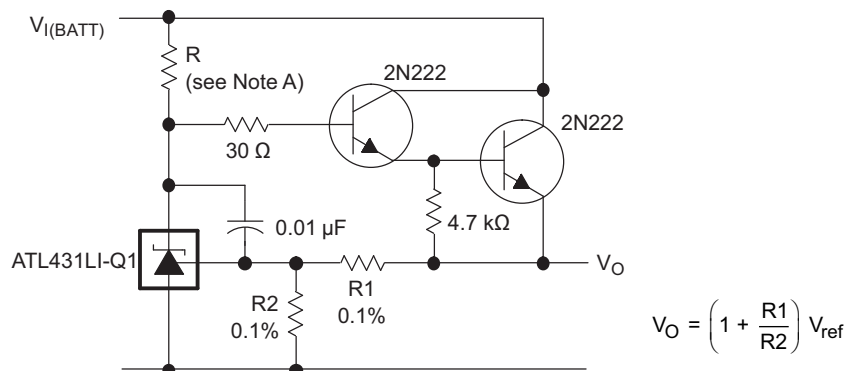
10.2.8.2.1 External Capacitors

An input capacitor, C_I , is recommended to buffer line influences. Connect the capacitors close to the IC pins.

The output capacitor for the TPS7B4250-Q1 device is required for stability. Without the output capacitor, the regulator oscillates. The actual size and type of the output capacitor can vary based on the application load and temperature range. The effective series resistance (ESR) of the capacitor is also a factor in the IC stability. The worst case is determined at the minimum ambient temperature and maximum load expected. To ensure stability of TPS7B4250-Q1 device, the device requires an output capacitor between 1 μ F and 50 μ F with an ESR range between 0.001 Ω and 20 Ω that can cover most types of capacitor ESR variation under the recommend operating conditions. As a result, the output capacitor selection is flexible.

The capacitor must also be rated at all ambient temperature expected in the system. To maintain regulator stability down to -40°C , use a capacitor rated at that temperature.

10.3 System Examples



R should provide cathode current $\geq 80 \mu\text{A}$ to the ATL431LI-Q1 at minimum $V_{I(BATT)}$.

Figure 31. Precision High-Current Series Regulator

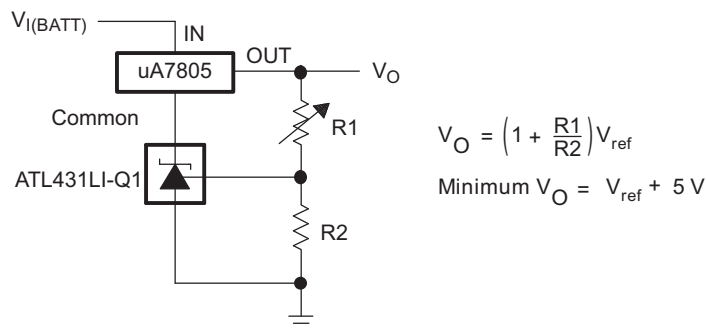


Figure 32. Output Control of a Three-Terminal Fixed Regulator

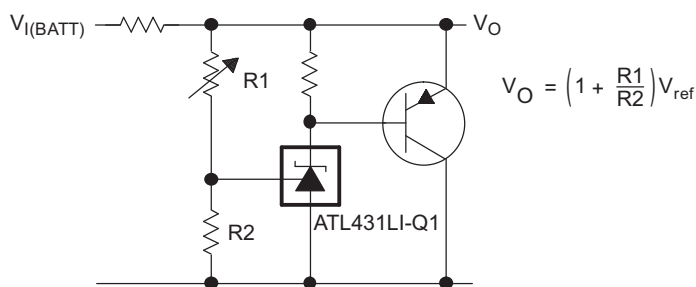
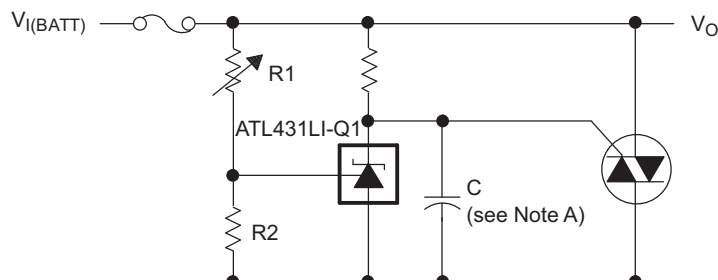


Figure 33. High-Current Shunt Regulator



Refer to the stability boundary conditions in [Figure 13](#) to determine allowable values for C.

Figure 34. Crowbar Circuit

System Examples (continued)

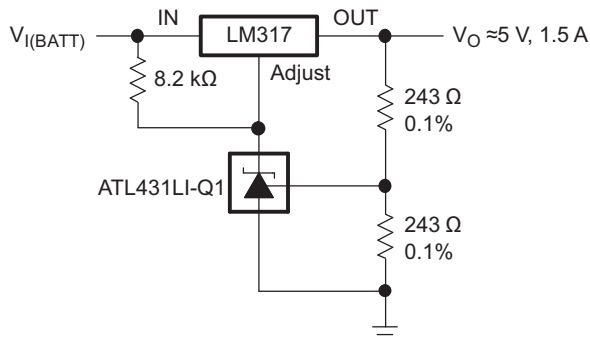
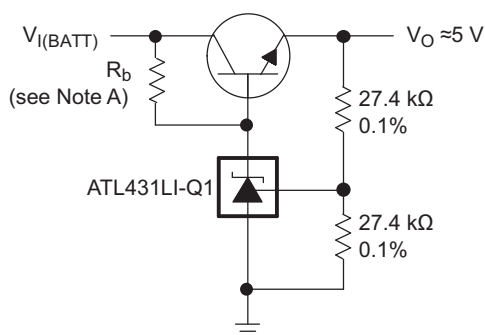


Figure 35. Precision 5-V, 1.5-A Regulator



R_b should provide cathode current $\geq 80 \mu\text{A}$ to the ATL431LI-Q1.

Figure 36. Efficient 5-V Low-Dropout (LDO) Regulator Configuration

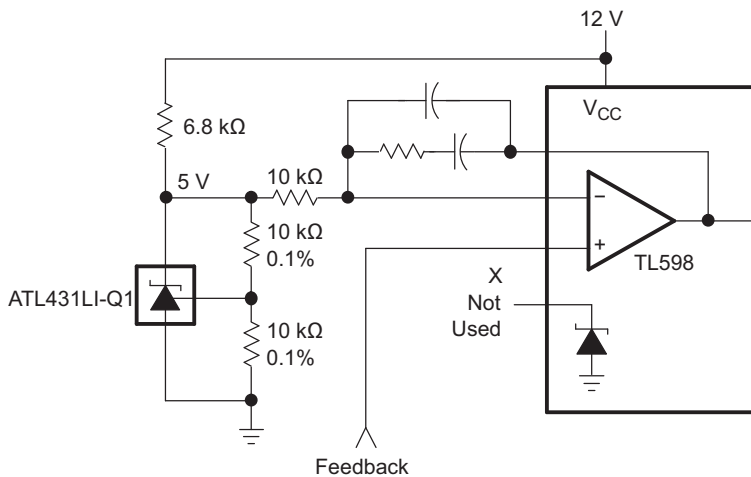
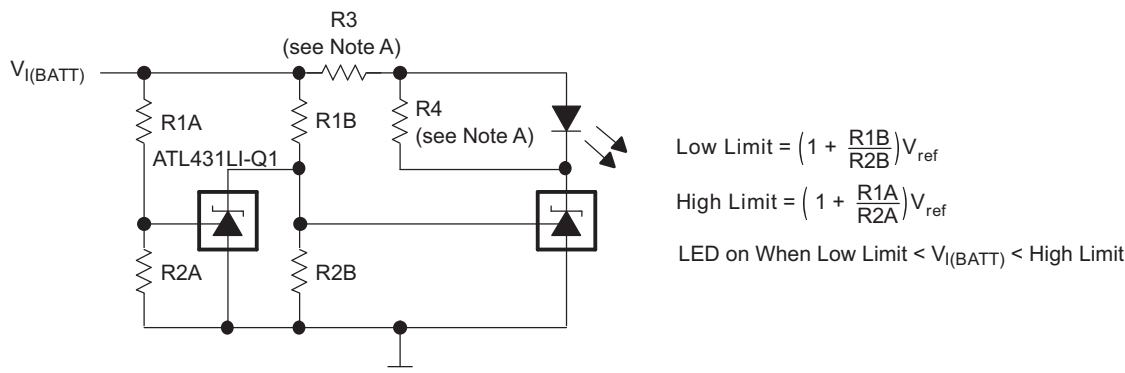


Figure 37. PWM Converter With Reference

System Examples (continued)



Select R3 and R4 to provide the desired LED intensity and cathode current $\geq 80 \mu A$ to the ATL431LI-Q1 at the available $V_{I(BATT)}$.

Figure 38. Voltage Monitor

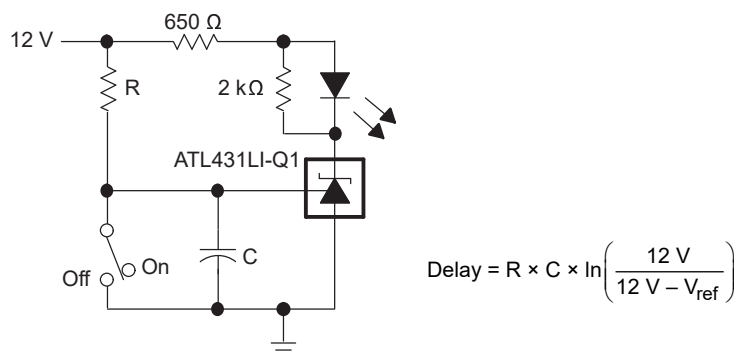


Figure 39. Delay Timer

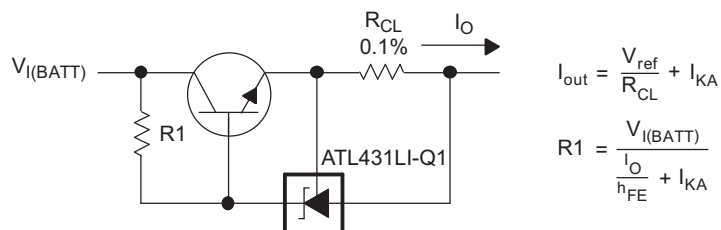


Figure 40. Precision Current Limiter

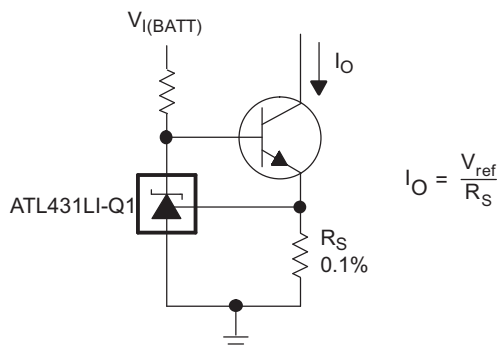


Figure 41. Precision Constant-Current Sink

11 Power Supply Recommendations

When using ATL43xLI-Q1 as a Linear Regulator to supply a load, designers typically use a bypass capacitor on the output/cathode pin. When doing this, be sure that the capacitance is within the stability criteria shown in [Figure 13](#).

To not exceed the maximum cathode current, be sure that the supply voltage is current limited. Also, be sure to limit the current being driven into the Ref pin, so you do not exceed its absolute maximum rating.

For applications shunting high currents, pay attention to the cathode and anode trace lengths, adjusting the width of the traces to have the proper current density.

12 Layout

12.1 Layout Guidelines

Bypass capacitors must be placed as close to the part as possible. Current-carrying traces need to have widths appropriate for the amount of current they are carrying; in the case of the ATL43xLI-Q1, these currents are low.

12.2 Layout Example

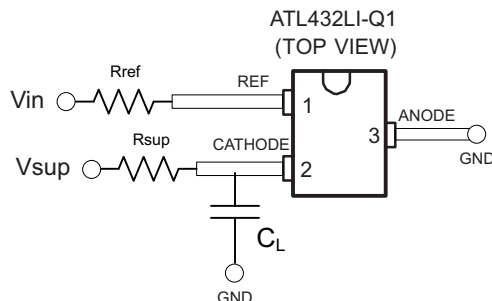


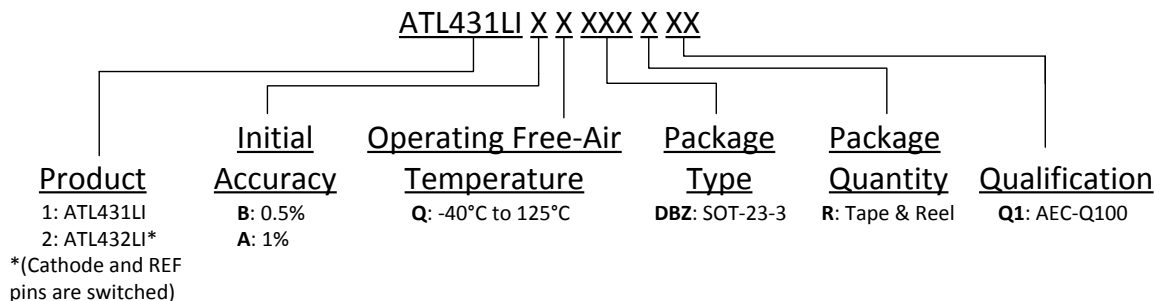
Figure 42. DBZ Layout Example

13 Device and Documentation Support

13.1 Device Support

13.1.1 Device Nomenclature

TI assigns suffixes and prefixes to differentiate all the combinations of the ATL43xLI-Q1 family. More details and possible orderable combinations are located in the Package Option Addendum.



13.2 Documentation Support

13.2.1 Related Documentation

For related documentation see the following:

Texas Instruments, [Setting the Shunt Voltage on an Adjustable Shunt Regulator](#)

13.3 Related Links

The table below lists quick access links. Categories include technical documents, support and community resources, tools and software, and quick access to order now.

Table 6. Related Links

PARTS	PRODUCT FOLDER	ORDER NOW	TECHNICAL DOCUMENTS	TOOLS & SOFTWARE	SUPPORT & COMMUNITY
ATL431LI-Q1	Click here	Click here	Click here	Click here	Click here
ATL432LI-Q1	Click here	Click here	Click here	Click here	Click here

13.4 Receiving Notification of Documentation Updates

To receive notification of documentation updates, navigate to the device product folder on ti.com. In the upper right corner, click on *Alert me* to register and receive a weekly digest of any product information that has changed. For change details, review the revision history included in any revised document.

13.5 Support Resources

TI E2E™ support forums are an engineer's go-to source for fast, verified answers and design help — straight from the experts. Search existing answers or ask your own question to get the quick design help you need.

Linked content is provided "AS IS" by the respective contributors. They do not constitute TI specifications and do not necessarily reflect TI's views; see TI's [Terms of Use](#).

13.6 Trademarks

E2E is a trademark of Texas Instruments.

All other trademarks are the property of their respective owners.

13.7 Electrostatic Discharge Caution



This integrated circuit can be damaged by ESD. Texas Instruments recommends that all integrated circuits be handled with appropriate precautions. Failure to observe proper handling and installation procedures can cause damage.

ESD damage can range from subtle performance degradation to complete device failure. Precision integrated circuits may be more susceptible to damage because very small parametric changes could cause the device not to meet its published specifications.

13.8 Glossary

[SLYZ022](#) — *TI Glossary*.

This glossary lists and explains terms, acronyms, and definitions.

14 Mechanical, Packaging, and Orderable Information

The following pages include mechanical, packaging, and orderable information. This information is the most current data available for the designated devices. This data is subject to change without notice and revision of this document. For browser-based versions of this data sheet, refer to the left-hand navigation.

PACKAGING INFORMATION

Orderable part number	Status (1)	Material type (2)	Package Pins	Package qty Carrier	RoHS (3)	Lead finish/ Ball material (4)	MSL rating/ Peak reflow (5)	Op temp (°C)	Part marking (6)
ATL431LIAQDBZRQ1	Active	Production	SOT-23 (DBZ) 3	3000 LARGE T&R	Yes	NIPDAU	Level-1-260C-UNLIM	-40 to 125	22XP
ATL431LIAQDBZRQ1.B	Active	Production	SOT-23 (DBZ) 3	3000 LARGE T&R	Yes	NIPDAU	Level-1-260C-UNLIM	-40 to 125	22XP
ATL431LIBQDBZRQ1	Active	Production	SOT-23 (DBZ) 3	3000 LARGE T&R	Yes	NIPDAU	Level-1-260C-UNLIM	-40 to 125	22ZP
ATL431LIBQDBZRQ1.B	Active	Production	SOT-23 (DBZ) 3	3000 LARGE T&R	Yes	NIPDAU	Level-1-260C-UNLIM	-40 to 125	22ZP
ATL432LIAQDBZRQ1	Active	Production	SOT-23 (DBZ) 3	3000 LARGE T&R	Yes	NIPDAU	Level-1-260C-UNLIM	-40 to 125	23AP
ATL432LIAQDBZRQ1.B	Active	Production	SOT-23 (DBZ) 3	3000 LARGE T&R	Yes	NIPDAU	Level-1-260C-UNLIM	-40 to 125	23AP
ATL432LIBQDBZRQ1	Active	Production	SOT-23 (DBZ) 3	3000 LARGE T&R	Yes	NIPDAU	Level-1-260C-UNLIM	-40 to 125	23BP
ATL432LIBQDBZRQ1.B	Active	Production	SOT-23 (DBZ) 3	3000 LARGE T&R	Yes	NIPDAU	Level-1-260C-UNLIM	-40 to 125	23BP

(1) **Status:** For more details on status, see our [product life cycle](#).

(2) **Material type:** When designated, preproduction parts are prototypes/experimental devices, and are not yet approved or released for full production. Testing and final process, including without limitation quality assurance, reliability performance testing, and/or process qualification, may not yet be complete, and this item is subject to further changes or possible discontinuation. If available for ordering, purchases will be subject to an additional waiver at checkout, and are intended for early internal evaluation purposes only. These items are sold without warranties of any kind.

(3) **RoHS values:** Yes, No, RoHS Exempt. See the [TI RoHS Statement](#) for additional information and value definition.

(4) **Lead finish/Ball material:** Parts may have multiple material finish options. Finish options are separated by a vertical ruled line. Lead finish/Ball material values may wrap to two lines if the finish value exceeds the maximum column width.

(5) **MSL rating/Peak reflow:** The moisture sensitivity level ratings and peak solder (reflow) temperatures. In the event that a part has multiple moisture sensitivity ratings, only the lowest level per JEDEC standards is shown. Refer to the shipping label for the actual reflow temperature that will be used to mount the part to the printed circuit board.

(6) **Part marking:** There may be an additional marking, which relates to the logo, the lot trace code information, or the environmental category of the part.

Multiple part markings will be inside parentheses. Only one part marking contained in parentheses and separated by a "-" will appear on a part. If a line is indented then it is a continuation of the previous line and the two combined represent the entire part marking for that device.

Important Information and Disclaimer:The information provided on this page represents TI's knowledge and belief as of the date that it is provided. TI bases its knowledge and belief on information provided by third parties, and makes no representation or warranty as to the accuracy of such information. Efforts are underway to better integrate information from third parties. TI has taken and continues to take reasonable steps to provide representative and accurate information but may not have conducted destructive testing or chemical analysis on incoming materials and chemicals. TI and TI suppliers consider certain information to be proprietary, and thus CAS numbers and other limited information may not be available for release.

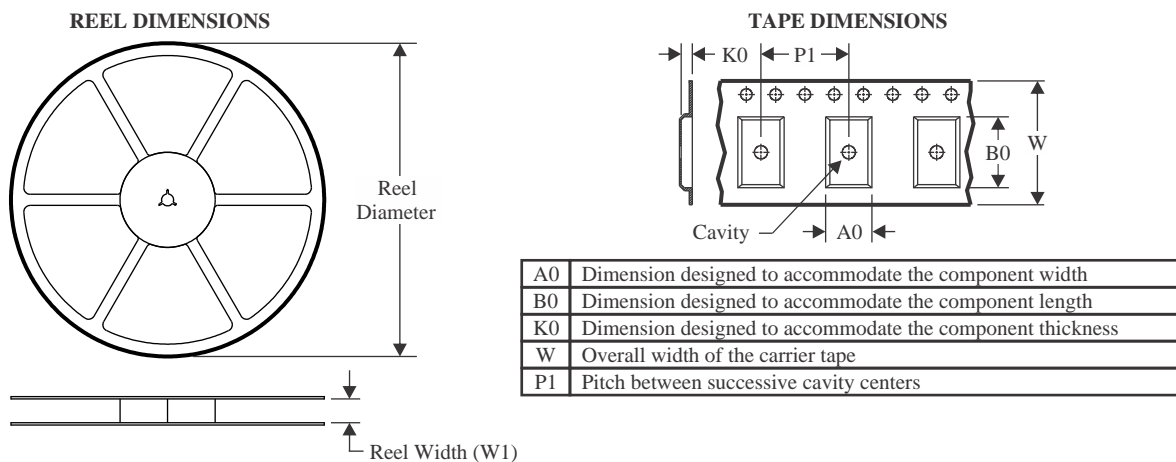
In no event shall TI's liability arising out of such information exceed the total purchase price of the TI part(s) at issue in this document sold by TI to Customer on an annual basis.

OTHER QUALIFIED VERSIONS OF ATL431LI-Q1, ATL432LI-Q1 :

- Catalog : [ATL431LI](#), [ATL432LI](#)

NOTE: Qualified Version Definitions:

- Catalog - TI's standard catalog product

TAPE AND REEL INFORMATION

QUADRANT ASSIGNMENTS FOR PIN 1 ORIENTATION IN TAPE


*All dimensions are nominal

Device	Package Type	Package Drawing	Pins	SPQ	Reel Diameter (mm)	Reel Width W1 (mm)	A0 (mm)	B0 (mm)	K0 (mm)	P1 (mm)	W (mm)	Pin1 Quadrant
ATL431LIAQDBZRQ1	SOT-23	DBZ	3	3000	180.0	8.4	2.9	3.35	1.35	4.0	8.0	Q3
ATL431LIAQDBZRQ1	SOT-23	DBZ	3	3000	178.0	9.0	3.15	2.77	1.22	4.0	8.0	Q3
ATL431LIBQDBZRQ1	SOT-23	DBZ	3	3000	178.0	9.0	3.15	2.77	1.22	4.0	8.0	Q3
ATL431LIBQDBZRQ1	SOT-23	DBZ	3	3000	180.0	8.4	2.9	3.35	1.35	4.0	8.0	Q3
ATL432LIAQDBZRQ1	SOT-23	DBZ	3	3000	178.0	9.0	3.15	2.77	1.22	4.0	8.0	Q3
ATL432LIBQDBZRQ1	SOT-23	DBZ	3	3000	178.0	9.0	3.15	2.77	1.22	4.0	8.0	Q3

TAPE AND REEL BOX DIMENSIONS


*All dimensions are nominal

Device	Package Type	Package Drawing	Pins	SPQ	Length (mm)	Width (mm)	Height (mm)
ATL431LIAQDBZRQ1	SOT-23	DBZ	3	3000	210.0	185.0	35.0
ATL431LIAQDBZRQ1	SOT-23	DBZ	3	3000	180.0	180.0	18.0
ATL431LIBQDBZRQ1	SOT-23	DBZ	3	3000	180.0	180.0	18.0
ATL431LIBQDBZRQ1	SOT-23	DBZ	3	3000	210.0	185.0	35.0
ATL432LIAQDBZRQ1	SOT-23	DBZ	3	3000	180.0	180.0	18.0
ATL432LIBQDBZRQ1	SOT-23	DBZ	3	3000	180.0	180.0	18.0

EXAMPLE BOARD LAYOUT

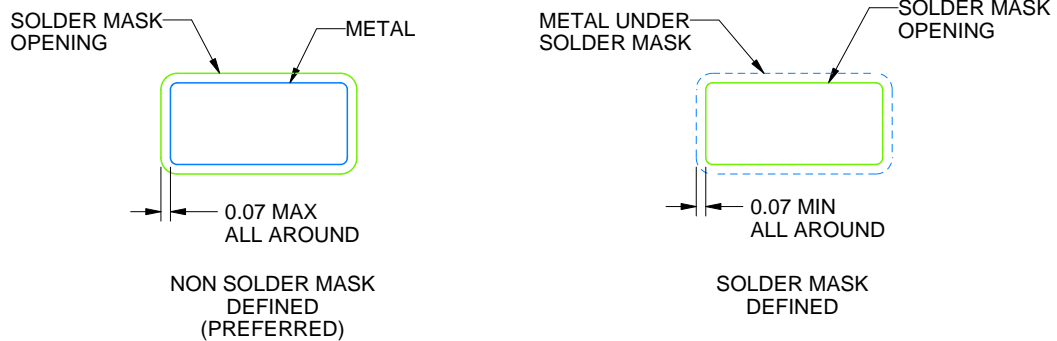
DBZ0003A

SOT-23 - 1.12 mm max height

SMALL OUTLINE TRANSISTOR



LAND PATTERN EXAMPLE
SCALE:15X



SOLDER MASK DETAILS

4214838/F 08/2024

NOTES: (continued)

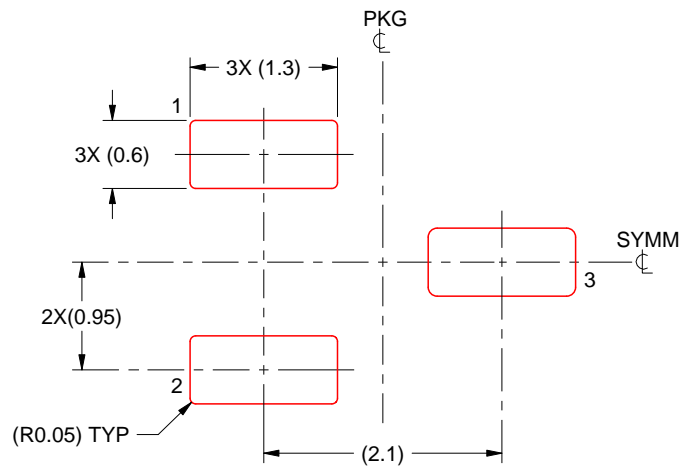
5. Publication IPC-7351 may have alternate designs.
6. Solder mask tolerances between and around signal pads can vary based on board fabrication site.

EXAMPLE STENCIL DESIGN

DBZ0003A

SOT-23 - 1.12 mm max height

SMALL OUTLINE TRANSISTOR



SOLDER PASTE EXAMPLE
BASED ON 0.125 THICK STENCIL
SCALE:15X

4214838/F 08/2024

NOTES: (continued)

7. Laser cutting apertures with trapezoidal walls and rounded corners may offer better paste release. IPC-7525 may have alternate design recommendations.
8. Board assembly site may have different recommendations for stencil design.

IMPORTANT NOTICE AND DISCLAIMER

TI PROVIDES TECHNICAL AND RELIABILITY DATA (INCLUDING DATASHEETS), DESIGN RESOURCES (INCLUDING REFERENCE DESIGNS), APPLICATION OR OTHER DESIGN ADVICE, WEB TOOLS, SAFETY INFORMATION, AND OTHER RESOURCES "AS IS" AND WITH ALL FAULTS, AND DISCLAIMS ALL WARRANTIES, EXPRESS AND IMPLIED, INCLUDING WITHOUT LIMITATION ANY IMPLIED WARRANTIES OF MERCHANTABILITY, FITNESS FOR A PARTICULAR PURPOSE OR NON-INFRINGEMENT OF THIRD PARTY INTELLECTUAL PROPERTY RIGHTS.

These resources are intended for skilled developers designing with TI products. You are solely responsible for (1) selecting the appropriate TI products for your application, (2) designing, validating and testing your application, and (3) ensuring your application meets applicable standards, and any other safety, security, regulatory or other requirements.

These resources are subject to change without notice. TI grants you permission to use these resources only for development of an application that uses the TI products described in the resource. Other reproduction and display of these resources is prohibited. No license is granted to any other TI intellectual property right or to any third party intellectual property right. TI disclaims responsibility for, and you fully indemnify TI and its representatives against any claims, damages, costs, losses, and liabilities arising out of your use of these resources.

TI's products are provided subject to [TI's Terms of Sale](#), [TI's General Quality Guidelines](#), or other applicable terms available either on ti.com or provided in conjunction with such TI products. TI's provision of these resources does not expand or otherwise alter TI's applicable warranties or warranty disclaimers for TI products. Unless TI explicitly designates a product as custom or customer-specified, TI products are standard, catalog, general purpose devices.

TI objects to and rejects any additional or different terms you may propose.

Copyright © 2026, Texas Instruments Incorporated

Last updated 10/2025