

CC3220R, CC3220S, and CC3220SF SimpleLink™ Wi-Fi® Single-Chip Wireless MCU Solutions

1 Features

- Dual-Core Architecture:
 - User-Dedicated Application MCU Subsystem
 - Highly-Integrated Wi-Fi Network Processor
- Rich Set of IoT Security Features:
 - Enhanced IoT Networking Security
 - Asymmetric Keys and Unique Device Identity
 - Software IP Protection and Secure Storage (CC3220S/CC3220SF)
- Advanced Low-Power Modes for Battery Powered Applications
- Built-In Power Management Subsystem
- Industrial Temperature: –40°C to 85°C
- Chip-Level Wi-Fi Alliance® Wi-Fi CERTIFIED™

Extended Features List:

- Applications Microcontroller Subsystem:
 - Arm® Cortex®-M4 Core at 80 MHz
 - Embedded Memory:
 - 256KB of RAM
 - Optional 1MB of Executable Flash
 - External Serial Flash
 - Peripherals:
 - McASP Supports Two I2S Channels
 - SD, SPI, I²C, UART
 - 8-Bit Synchronous Imager Interface
 - 4-Channel 12-Bit ADCs
 - 4 General-Purpose Timers (GPT) With 16-Bit PWM Mode
 - Watchdog Timer
 - Up to 27 GPIO Pins
 - Debug Interfaces: JTAG, cJTAG, SWD
- **Wi-Fi Network Processor (NWP) Subsystem:**
 - Wi-Fi Modes:
 - 802.11b/g/n Station
 - 802.11b/g Access Point (AP) Supports up to Four Stations
 - Wi-Fi Direct® Client and Group Owner
 - WPA2 Personal and Enterprise Security: WEP, WPA™/ WPA2™ PSK, WPA2 Enterprise (802.1x), WPA3™ Personal, WPA3™ Enterprise
 - IPv4 and IPv6 TCP/IP Stack
 - Industry-Standard BSD Socket Application Programming Interfaces (APIs):
 - 16 Simultaneous TCP or UDP Sockets
 - 6 Simultaneous TLS and SSL Sockets
 - IP Addressing: Static IP, LLA, DHCPv4, DHCPv6 With Duplicate Address Detection (DAD)

- SimpleLink Connection Manager for Autonomous and Fast Wi-Fi Connections
- Flexible Wi-Fi Provisioning With SmartConfig™ Technology, AP Mode, and WPS2 Options
- RESTful API Support Using the Internal HTTP Server
- **Wide Set of Security Features:**
 - Hardware Features:
 - Separate Execution Environments
 - Device Identity
 - Hardware Crypto Engine for Advanced Fast Security, Including: AES, DES, 3DES, SHA2, MD5, CRC, and Checksum
 - Initial Secure Programming:
 - Debug Security
 - JTAG and Debug Ports are Locked
 - Personal and Enterprise Wi-Fi Security
 - Secure Sockets (SSLv3, TLS1.0, TLS1.1, TLS1.2)
- Networking Security:
 - Personal and Enterprise Wi-Fi Security
 - Secure Sockets (SSLv3, TLS1.0, TLS1.1, TLS1.2)
 - HTTPS Server
 - Trusted Root-Certificate Catalog
 - TI Root-of-Trust Public Key
- Software IP Protection:
 - Secure Key Storage
 - File System Security
 - Software Tamper Detection
 - Cloning Protection
 - Secure Boot: Validate the Integrity and Authenticity of the Runtime Binary During Boot
- Embedded Network Applications Running on the Dedicated Network Processor:
 - HTTP/HTTPS Web Server With Dynamic User Callbacks
 - mDNS, DNS-SD, DHCP Server
 - Ping
- Recovery Mechanism—Can Recover to Factory Defaults or to a Complete Factory Image
- Wi-Fi TX Power:
 - 18.0 dBm at 1 DSSS
 - 14.5 dBm at 54 OFDM
- Wi-Fi RX Sensitivity:
 - –96 dBm at 1 DSSS
 - –74.5 dBm at 54 OFDM
- Application Throughput:



- UDP: 16 Mbps
- TCP: 13 Mbps
- Peak: 72 Mbps
- **Power-Management Subsystem:**
 - Integrated DC/DC Converters Support a Wide Range of Supply Voltage:
 - VBAT Wide-Voltage Mode: 2.1 V to 3.6 V
 - VIO is Always Tied With VBAT
 - Preregulated 1.85-V Mode
 - Advanced Low-Power Modes:
 - Shutdown: 1 μ A
 - Hibernate: 4.5 μ A
 - Low-Power Deep Sleep (LPDS): 135 μ A (Measured on CC3220R, CC3220S, and CC3220SF With 256KB RAM Retention)
 - RX Traffic (MCU Active): 59 mA (Measured on CC3220R and CC3220S; CC3220SF Consumes an Additional 10 mA) at 54 OFDM
 - TX Traffic (MCU Active): 223 mA (Measured on CC3220R and CC3220S; CC3220SF Consumes an Additional 15 mA) at 54 OFDM, Maximum Power
 - Idle Connected (MCU in LPDS): 710 μ A (Measured on CC3220R and CC3220S With 256KB RAM Retention) at DTIM = 1
- Clock Source:
 - 40.0-MHz Crystal With Internal Oscillator
 - 32.768-kHz Crystal or External RTC
- RGK Package
 - 64-Pin, 9-mm \times 9-mm Very Thin Quad Flat Nonleaded (VQFN) Package, 0.5-mm Pitch
- Operating Temperature
 - Ambient Temperature Range: -40°C to $+85^{\circ}\text{C}$
- Device Supports [SimpleLink™ MCU Platform Developer's Ecosystem](#)

2 Applications

- For Internet of Things applications, such as:
 - [Building and Home Automation:](#)
 - [HVAC Systems & Thermostat](#)
 - [Video Surveillance, Video Doorbells, and Low-Power Camera](#)
 - [Building Security Systems & E-locks](#)
 - [Appliances](#)
 - [Asset Tracking](#)
 - [Factory Automation](#)
 - [Medical and Healthcare](#)
 - [Grid Infrastructure](#)

3 Description

The SoC Wireless MCU CC3220x device comes in three variants: CC3220R, CC3220S, and C3220SF.

- [CC3220R](#) features 256KB of RAM, IoT networking security and device identity/keys.
- [CC3220S](#) builds on the CC3220R and MCU level security such as file system encryption, user IP (MCU image) encryption, secure boot and debug security.
- [CC3220SF](#) builds on the CC3220S and integrates a user-dedicated 1MB of executable Flash, in addition to the 256KB of RAM.

Start your internet-of-things (IoT) design with a Wi-Fi CERTIFIED™ Wireless Microcontroller. The [SimpleLink™ Wi-Fi®](#) CC3220x device family is a system-on-chip (SoC) solution, that integrates two processors within a single-chip:

- The application processor is an Arm® Cortex®-M4 MCU with a user-dedicated 256KB of RAM and an optional 1MB of serial flash.
- The network processor MCU runs all Wi-Fi® and internet logical layers. This ROM-based subsystem includes an 802.11b/g/n radio, baseband, and MAC with a powerful crypto engine.

These devices introduce new features and capabilities that further simplify the connectivity of things to the internet. The main new features include the following:

- Optimized low-power management
- Enhanced networking security
- Device identity and Asymmetric keys
- Enhanced file system security (supported only by the CC3220S and CC3220SF variants)
- IPv6 TCP/IP Stack
- AP mode with support of four stations
- Up to 16 concurrent BSD sockets, of which 6 are secure
- HTTPS support
- RESTful API support

The CC3220x device family is part of the [SimpleLink™ MCU platform](#), a common, easy-to-use development environment based on a single core software development kit (SDK), rich tool set, reference designs and E2E™ community that supports Wi-Fi®, Bluetooth® low energy, Sub-1 GHz and host MCUs. For more information, visit the [SimpleLink™ MCU Platform](#).

Device Information

| PART NUMBER ⁽¹⁾ | PACKAGE | BODY SIZE (NOM) |
|----------------------------|-----------|-------------------|
| CC3220RM2ARGKR/T | VQFN (64) | 9.00 mm × 9.00 mm |
| CC3220SM2ARGKR/T | VQFN (64) | 9.00 mm × 9.00 mm |
| CC3220SF12ARGKR/T | VQFN (64) | 9.00 mm × 9.00 mm |

(1) For all available packages, see the orderable addendum at the end of the data sheet.

4 Functional Block Diagrams

Figure 4-1 shows the functional block diagram of the CC3220x SimpleLink Wi-Fi solution.

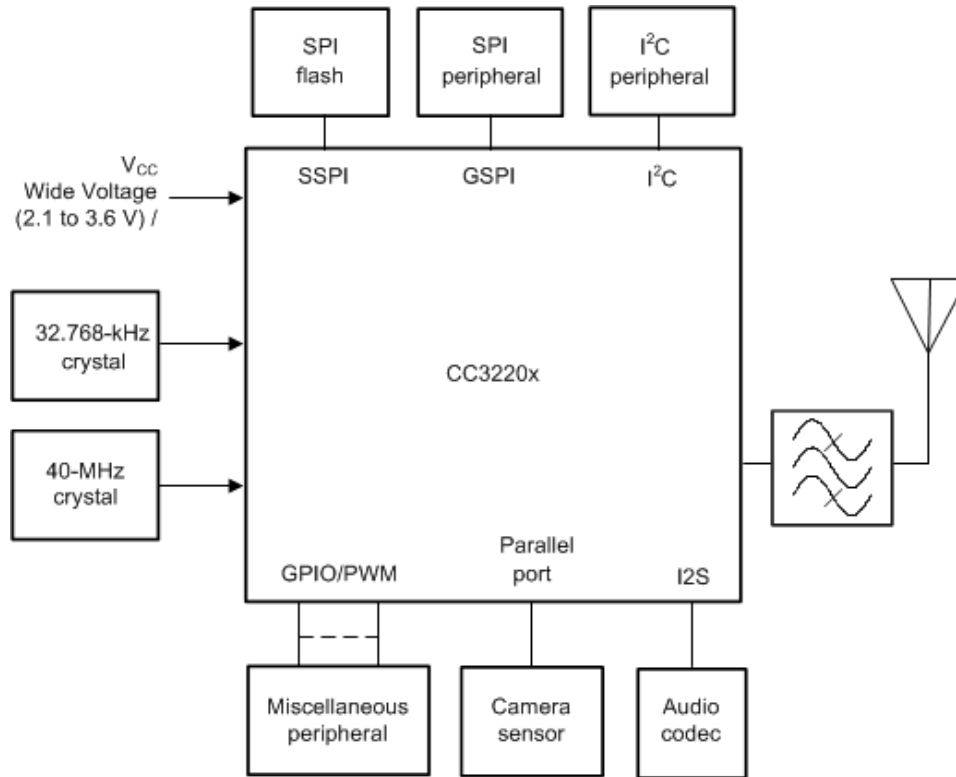


Figure 4-1. Functional Block Diagram

Figure 4-2 shows the CC3220x hardware overview.

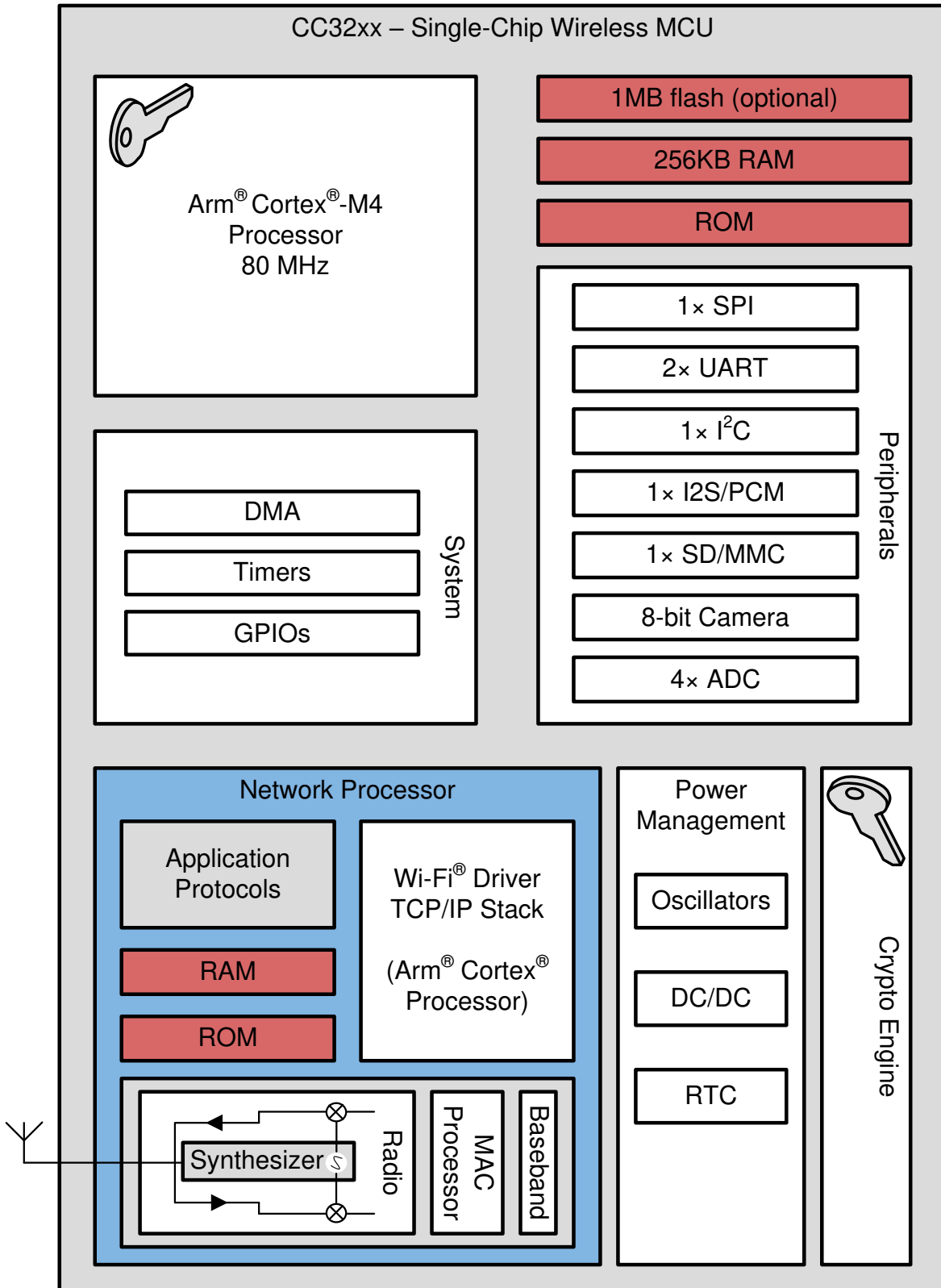


Figure 4-2. CC3220x Hardware Overview

Figure 4-3 shows an overview of the CC3220x embedded software.

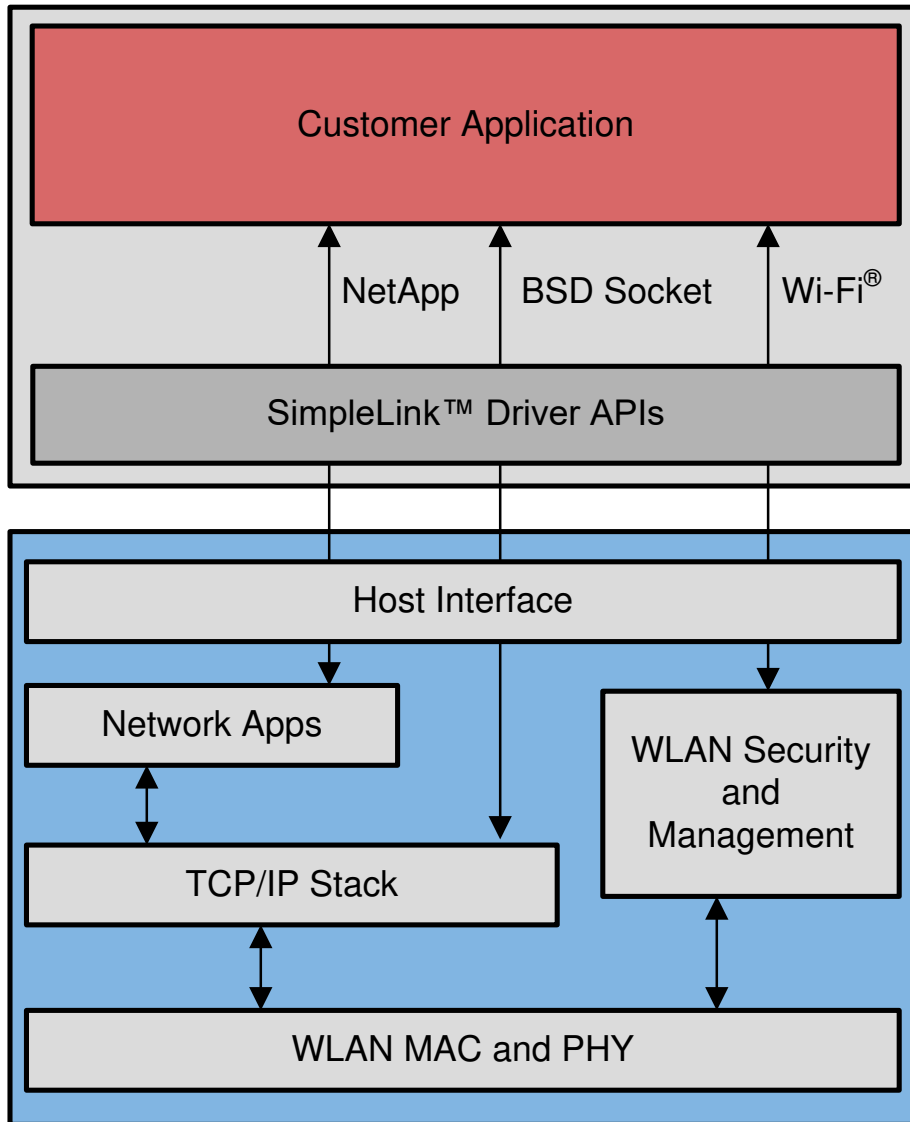


Figure 4-3. CC3220x Embedded Software Overview

Table of Contents

| | | | |
|---|-----------|--|-----------|
| 1 Features | 1 | 8.11 WLAN Transmitter Characteristics..... | 37 |
| 2 Applications | 2 | 8.12 WLAN Filter Requirements..... | 38 |
| 3 Description | 2 | 8.13 Thermal Resistance Characteristics..... | 38 |
| 4 Functional Block Diagrams | 4 | 8.14 Timing and Switching Characteristics..... | 38 |
| 5 Revision History | 7 | 9 Detailed Description | 56 |
| 6 Device Comparison | 8 | 9.1 Arm® Cortex®-M4 Processor Core Subsystem..... | 56 |
| 6.1 Related Products..... | 9 | 9.2 Wi-Fi Network Processor Subsystem..... | 57 |
| 7 Terminal Configuration and Functions | 10 | 9.3 Security..... | 59 |
| 7.1 Pin Diagram..... | 10 | 9.4 Power-Management Subsystem..... | 61 |
| 7.2 Pin Attributes and Pin Multiplexing..... | 11 | 9.5 Low-Power Operating Mode..... | 62 |
| 7.3 Signal Descriptions..... | 19 | 9.6 Memory..... | 64 |
| 7.4 Pin Multiplexing..... | 24 | 9.7 Restoring Factory Default Configuration..... | 67 |
| 7.5 Drive Strength and Reset States for Analog and Digital Multiplexed Pins..... | 26 | 9.8 Boot Modes..... | 67 |
| 7.6 Pad State After Application of Power to Chip But Before Reset Release..... | 26 | 10 Applications, Implementation, and Layout | 68 |
| 7.7 Connections for Unused Pins..... | 27 | 10.1 Application Information..... | 68 |
| 8 Specifications | 28 | 10.2 PCB Layout Guidelines..... | 73 |
| 8.1 Absolute Maximum Ratings..... | 28 | 11 Device and Documentation Support | 76 |
| 8.2 ESD Ratings..... | 28 | 11.1 Development Tools and Software..... | 76 |
| 8.3 Power-On Hours (POH)..... | 28 | 11.2 Firmware Updates..... | 77 |
| 8.4 Recommended Operating Conditions..... | 29 | 11.3 Device Nomenclature..... | 77 |
| 8.5 Current Consumption Summary (CC3220R, CC3220S)..... | 29 | 11.4 Documentation Support..... | 78 |
| 8.6 Current Consumption Summary (CC3220SF)..... | 31 | 11.5 Support Resources..... | 80 |
| 8.7 TX Power and IBAT versus TX Power Level Settings..... | 32 | 11.6 Trademarks..... | 80 |
| 8.8 Brownout and Blackout Conditions..... | 34 | 11.7 Electrostatic Discharge Caution..... | 80 |
| 8.9 Electrical Characteristics (3.3 V, 25°C)..... | 35 | 11.8 Export Control Notice..... | 80 |
| 8.10 WLAN Receiver Characteristics..... | 37 | 11.9 Glossary..... | 81 |
| | | 12 Mechanical, Packaging, and Orderable Information | 82 |
| | | 12.1 Packaging Information..... | 82 |

5 Revision History

NOTE: Page numbers for previous revisions may differ from page numbers in the current version.

Changes from November 29, 2018 to May 13, 2021 (from Revision B (November 2018) to Revision C (May 2021))

| | Page |
|--|-----------|
| • Updated formatting and organization to reflect current TI standards..... | 0 |
| • Added WPA3 Personal and WPA3 Enterprise to Section 1 | 1 |
| • Added WPA3 personal and enterprise to Section 9.2 | 57 |
| • Added WPA3 personal and enterprise to Section 9.2.1 | 57 |
| • Added WPA3 personal and enterprise to Table 9-1 | 57 |

6 Device Comparison

Table 6-1 shows the features supported across different CC3220 devices.

Table 6-1. Device Features Comparison

| FEATURE | DEVICE | | |
|-------------------------------------|---|---|---|
| | CC3220R | CC3220S | CC3220SF |
| | On-Chip Application Memory | | |
| RAM | 256KB | 256KB | 256KB |
| Flash | – | – | 1MB |
| | Security Features | | |
| Enhanced Application Level Security | – | File system security Secure key storage Software tamper detection Cloning protection Initial secure programming | File system security Secure key storage Software tamper detection Cloning protection Initial secure programming |
| Hardware Acceleration | Hardware Crypto Engines | Hardware Crypto Engines | Hardware Crypto Engines |
| Additional Networking Security | Unique Device Identity Trusted Root-Certificate Catalog TI Root-of-Trust Public key | Unique Device Identity Trusted Root-Certificate Catalog TI Root-of-Trust Public key | Unique Device Identity Trusted Root-Certificate Catalog TI Root-of-Trust Public key |
| Secure Boot | No | Yes | Yes |
| | Additional Features | | |
| Standard | 802.11 b/g/n | | |
| TCP/IP Stack | IPv4, IPv6 | | |
| Package | 9 mm × 9 mm VQFN | | |
| Sockets | 16 | | |

6.1 Related Products

For information about other devices in this family of products or related products, see the following links:

[SimpleLink™ MCU Portfolio](#)

This portfolio offers a single development environment that delivers flexible hardware, software and tool options for customers developing wired and wireless applications. With 100 percent code reuse across host MCUs, Wi-Fi™, Bluetooth® low energy, Sub-1 GHz devices and more, choose the MCU or connectivity standard that fits your design. A one-time investment with the SimpleLink software development kit (SDK) allows you to reuse often, opening the door to create unlimited applications.

[SimpleLink™ Wi-Fi® Family](#)

This device platform offers several Internet-on-a chip™ solutions, which address the need of battery operated, security enabled products. Texas instruments offers a single chip wireless microcontroller and a wireless network processor which can be paired with any MCU, to allow developers to design new wi-fi products, or upgrade existing products with wi-fi capabilities.

[BoosterPack™ Plug-In Modules](#)

The BoosterPack Plug-in modules extend the functionality of TI LaunchPad Development Kit. Application-specific BoosterPack Plug-in modules allow you to explore a broad range of applications, including capacitive touch, wireless sensing, LED Lighting control, and more. Stack multiple BoosterPack modules onto a single LaunchPad kit to further enhance the functionality of your design.

[Reference Designs for CC3200 and CC3220 Devices](#)

TI Designs Reference Design Library is a robust reference design library spanning analog, embedded processor and connectivity. Created by TI experts to help you jump start your system design, all TI Designs include schematic or block diagrams, BOMs and design files to speed your time to market. Search and download designs at ti.com/tidesigns.

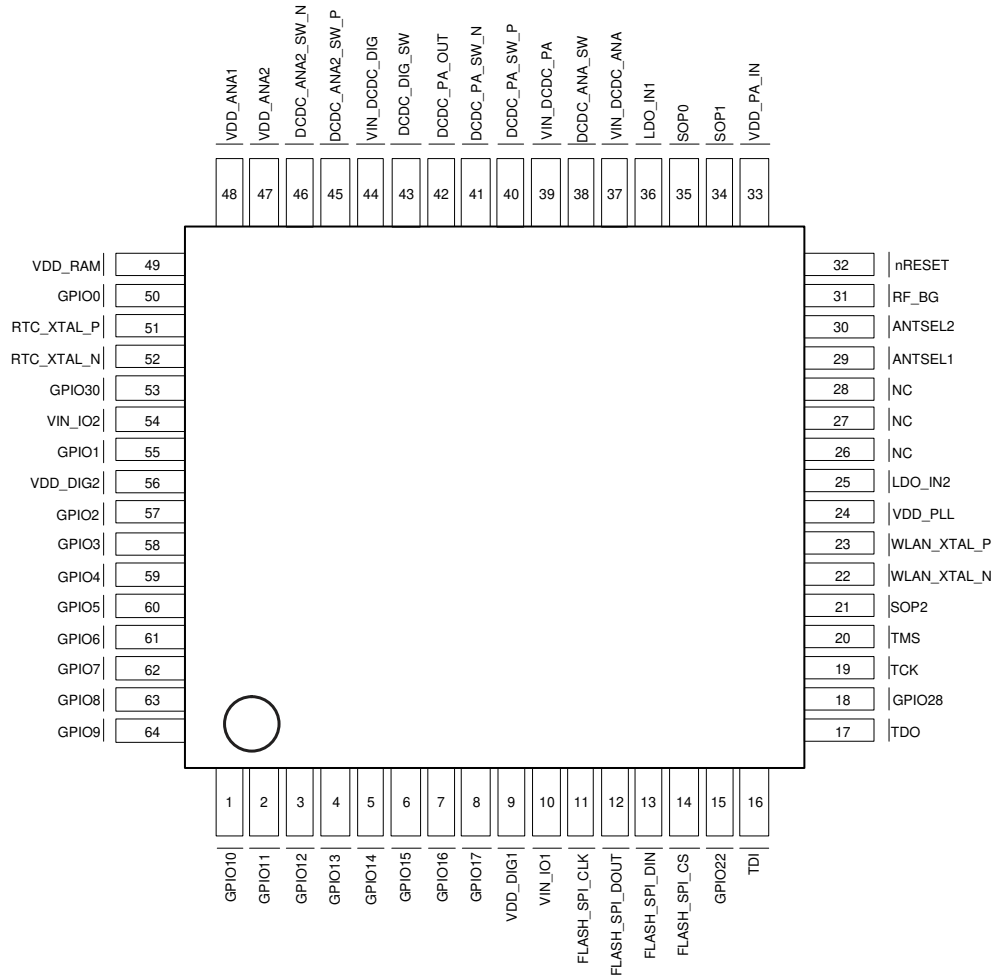
[SimpleLink™ Wi-Fi® CC3220 SDK](#)

This SDK contains drivers for the CC3220 programmable MCU, sample applications, and documentation required to start development with CC3220 solutions.

7 Terminal Configuration and Functions

7.1 Pin Diagram

VQFN 64-Pin Assignments Top View shows pin assignments for the 64-pin VQFN package.



NC = No internal connection

Figure 7-1. VQFN 64-Pin Assignments Top View

7.2 Pin Attributes and Pin Multiplexing

The device makes extensive use of pin multiplexing to accommodate the large number of peripheral functions in the smallest possible package. To achieve this configuration, pin multiplexing is controlled using a combination of hardware configuration (at device reset) and register control.

Note

TI highly recommends using [Pin Mux Tool](#) to obtain the desired pinout.

The board and software designers are responsible for the proper pin multiplexing configuration. Hardware does not ensure that the proper pin multiplexing options are selected for the peripherals or interface mode used.

[Section 7.2.1](#) and [Table 7-1](#) list the pin descriptions and attributes. [Section 7.3.1](#) lists the signal descriptions. [Table 7-2](#) presents an overall view of pin multiplexing. All pin multiplexing options are configurable using the pin mux registers.

The following special considerations apply:

- All I/Os support drive strengths of 2, 4, and 6 mA. The drive strength is individually configurable for each pin.
- All I/Os support 10- μ A pullup and pulldown resistors.
- The V_{IO} and V_{BAT} supply must be tied together at all times.
- By default, all I/Os float in the Hibernate state. However, the default state can be changed by SW.
- All digital I/Os are nonfail-safe.

Note

If an external device drives a positive voltage to the signal pads and the CC3220x device is not powered, DC is drawn from the other device. If the drive strength of the external device is adequate, an unintentional wakeup and boot of the CC3220x device can occur. To prevent current draw, TI recommends any one of the following conditions:

- All devices interfaced to the CC3220x device must be powered from the same power rail as the chip.
- Use level shifters between the device and any external devices fed from other independent rails.
- The nRESET pin of the CC3220x device must be held low until the V_{BAT} supply to the device is driven and stable.
- All GPIO pins default to high impedance unless programmed by the MCU. The bootloader sets the TDI, TDO, TCK, TMS, and Flash_SPI pins to mode 1. All the other pins are left in the Hi-Z state.

7.2.1 Pin Descriptions

| PINS | | TYPE | DESCRIPTION | SELECT AS WAKEUP SOURCE | CONFIGURE ADDITIONAL ANALOG MUX | MUXED WITH JTAG |
|------|---------------|-------|--|-------------------------|---------------------------------|-----------------|
| NO. | NAME | | | | | |
| 1 | GPIO10 | I/O | General-purpose input or output | No | No | No |
| 2 | GPIO11 | I/O | General-purpose input or output | Yes | No | No |
| 3 | GPIO12 | I/O | General-purpose input or output | No | No | No |
| 4 | GPIO13 | I/O | General-purpose input or output | Yes | No | No |
| 5 | GPIO14 | I/O | General-purpose input or output | No | No | No |
| 6 | GPIO15 | I/O | General-purpose input or output | No | No | No |
| 7 | GPIO16 | I/O | General-purpose input or output | No | No | No |
| 8 | GPIO17 | I/O | General-purpose input or output | Yes | No | No |
| 9 | VDD_DIG1 | Power | Internal digital core voltage | N/A | N/A | N/A |
| 10 | VIN_IO1 | Power | I/O power supply (same as battery voltage) | N/A | N/A | N/A |
| 11 | FLASH_SPI_CLK | O | Serial flash interface: SPI clock | N/A | N/A | N/A |

| PINS | | TYPE | DESCRIPTION | SELECT AS WAKEUP SOURCE | CONFIGURE ADDITIONAL ANALOG MUX | MUXED WITH JTAG |
|-------------------|----------------|--------|---|-------------------------|--|--------------------------|
| NO. | NAME | | | | | |
| 12 | FLASH_SPI_DOUT | O | Serial flash interface: SPI data out | N/A | N/A | N/A |
| 13 | FLASH_SPI_DIN | I | Serial flash interface: SPI data in | N/A | N/A | N/A |
| 14 | FLASH_SPI_CS | O | Serial flash interface: SPI chip select | N/A | N/A | N/A |
| 15 | GPIO22 | I/O | General-purpose input or output | No | No | No |
| 16 | TDI | I/O | JTAG interface: data input | No | No | Muxed with JTAG TDI |
| 17 | TDO | I/O | JTAG interface: data output | Yes | No | Muxed with JTAG TDO |
| 18 | GPIO28 | I/O | General-purpose input or output | No | No | No |
| 19 | TCK | I/O | JTAG/SWD interface: clock | No | No | Muxed with JTAG/SWD-TCK |
| 20 | TMS | I/O | JTAG/SWD interface: mode select or SWDIO | No | No | Muxed with JTAG/SWD-TMSC |
| 21 ⁽²⁾ | SOP2 | I | Configuration sense-on-power 2 | No | No | No |
| 22 | WLAN_XTAL_N | Analog | 40-MHz crystal. Pulldown if external TCXO is used. | N/A | N/A | N/A |
| 23 | WLAN_XTAL_P | Analog | 40-MHz crystal or TCXO clock input | N/A | N/A | N/A |
| 24 | VDD_PLL | Power | Internal analog voltage | N/A | N/A | N/A |
| 25 | LDO_IN2 | Power | Internal analog RF supply from analog DC/DC output | N/A | N/A | N/A |
| 26 | NC | — | No connect | N/A | N/A | N/A |
| 27 | NC | — | Reserved | N/A | N/A | N/A |
| 28 | NC | — | Reserved | N/A | N/A | N/A |
| 29 ⁽¹⁾ | ANTSEL1 | O | Antenna selection control | No | User configuration not required ⁽³⁾ | No |
| 30 ⁽¹⁾ | ANTSEL2 | O | Antenna selection control | No | User configuration not required ⁽³⁾ | No |
| 31 | RF_BG | RF | RF BG band: 2.4-GHz TX, RX | N/A | N/A | N/A |
| 32 | nRESET | I | Master chip reset input. Active low input. | N/A | N/A | N/A |
| 33 | VDD_PA_IN | Power | Internal RF power amplifier (PA) input from PA DC/DC output | N/A | N/A | N/A |
| 34 | SOP1 | I | Configuration sense-on-power 1 | N/A | N/A | N/A |
| 35 | SOP0 | I | Configuration sense-on-power 0 | N/A | N/A | N/A |
| 36 | LDO_IN1 | Power | Internal Analog RF supply from analog DC/DC output | N/A | N/A | N/A |
| 37 | VIN_DCDC_ANA | | Analog DC/DC supply input (same as battery voltage [V _{BAT}]) | N/A | N/A | N/A |
| 38 | DCDC_ANA_SW | Power | Internal Analog DC/DC converter switching node | N/A | N/A | N/A |
| 39 | VIN_DCDC_PA | Power | PA DC/DC converter input supply (same as battery voltage [V _{BAT}]) | N/A | N/A | N/A |
| 40 | DCDC_PA_SW_P | Power | Internal PA DC/DC converter +ve switching node | N/A | N/A | N/A |
| 41 | DCDC_PA_SW_N | Power | Internal PA DC/DC converter -ve switching node | N/A | N/A | N/A |

| PINS | | TYPE | DESCRIPTION | SELECT AS WAKEUP SOURCE | CONFIGURE ADDITIONAL ANALOG MUX | MUXED WITH JTAG |
|-------------------|----------------|--------|--|-------------------------|--|-----------------|
| NO. | NAME | | | | | |
| 42 | DCDC_PA_OUT | Power | Internal PA buck DC/DC converter output | N/A | N/A | N/A |
| 43 | DCDC_DIG_SW | Power | Internal Digital DC/DC converter switching node | N/A | N/A | N/A |
| 44 | VIN_DCDC_DIG | Power | Digital DC/DC converter supply input (same as battery voltage [V _{BAT}]) | N/A | N/A | N/A |
| 45 ⁽⁴⁾ | DCDC_ANA2_SW_P | I/O | Analog2 DC/DC converter +ve switching node | No | User configuration not required ⁽³⁾ | No |
| 46 | DCDC_ANA2_SW_N | Power | Internal Analog2 DC/DC converter –ve switching node | N/A | N/A | N/A |
| 47 | VDD_ANA2 | Power | Internal Analog2 DC/DC output | N/A | N/A | N/A |
| 48 | VDD_ANA1 | Power | Internal Analog1 power supply fed by analog2 DC/DC converter output | N/A | N/A | N/A |
| 49 | VDD_RAM | Power | Internal SRAM LDO output | N/A | N/A | N/A |
| 50 | GPIO0 | I/O | General-purpose input or output | No | User configuration not required ⁽³⁾ | No |
| 51 | RTC_XTAL_P | Analog | 32.768-kHz XTAL_P or external CMOS level clock input | N/A | N/A | N/A |
| 52 ⁽⁵⁾ | RTC_XTAL_N | Analog | 32.768-kHz XTAL_N | N/A | User configuration not required ^{(3) (7)} | No |
| 53 | GPIO30 | I/O | General-purpose input or output | No | User configuration not required ⁽³⁾ | No |
| 54 | VIN_IO2 | Power | device supply voltage (V _{BAT}) | N/A | N/A | N/A |
| 55 | GPIO1 | I/O | General-purpose input or output | No | No | No |
| 56 | VDD_DIG2 | Power | internal digital core voltage | N/A | N/A | N/A |
| 57 ⁽⁶⁾ | GPIO2 | I/O | Analog input (up to 1.5-V) or general-purpose input or output | Yes | See ⁽⁸⁾ | No |
| 58 ⁽⁶⁾ | GPIO3 | I/O | Analog input (up to 1.5-V) or general-purpose input or output | No | See ⁽⁸⁾ | No |
| 59 ⁽⁶⁾ | GPIO4 | I/O | Analog input (up to 1.5-V) or general-purpose input or output | Yes | See ⁽⁸⁾ | No |
| 60 ⁽⁶⁾ | GPIO5 | I/O | Analog input (up to 1.5 V) or general-purpose input or output | No | See ⁽⁸⁾ | No |
| 61 | GPIO6 | I/O | General-purpose input or output | No | No | No |
| 62 | GPIO7 | I/O | General-purpose input or output | No | No | No |
| 63 | GPIO8 | I/O | General-purpose input or output | No | No | No |
| 64 | GPIO9 | I/O | General-purpose input or output | No | No | No |
| GND_TAB | | — | Thermal pad and electrical ground | N/A | N/A | N/A |

- (1) This pin is reserved for WLAN antenna selection, controlling an external RF switch that multiplexes the RF pin of the CC3220x device between two antennas. These pins must not be used for other functionalities.
- (2) This pin has two functions: as a SOP[2] (device operation mode), and as an external TCXO enable. As a TCXO enable, the pin is an output on power up and driven logic high. During hibernate low-power mode, the pin is in a Hi-Z state but is pulled down for SOP mode to disable TCXO. Because of the SOP functionality, the pin must be used as an output only.
- (3) Device firmware automatically enables the digital path during ROM boot.
- (4) Pin 45 is used by an internal DC/DC converter (ANA2_DCDC). This pin will be available automatically if the serial flash is forced in the CC3220SF device. For the CC3220R and CC3220S devices, pin 45 can be used as GPIO_31 if a supply is provided on pin 47.
- (5) Pin 52 is used by the RTC crystal oscillator. These devices use automatic configuration sensing. Therefore, some board-level configuration is required to use pin 52 as a digital pad. Pin 52 is used for the RTC crystal in most applications. However, in some applications a 32.768-kHz square-wave clock might always be available onboard. When a 32.768-kHz square-wave clock is available, the crystal can be removed to free pin 52 for digital functions. The external clock must then be applied at pin 51. For the device to

automatically detect this configuration, a 100-kΩ pullup resistor must be connected between pin 52 and the supply line. To prevent false detection, TI recommends using pin 52 for output-only functions.

- (6) This pin is shared by the ADC inputs and digital I/O pad cells.
- (7) To use the digital functions, RTC_XTAL_N must be pulled high to the supply voltage using a 100-kΩ resistor.
- (8) Requires user configuration to enable the analog switch of the ADC channel (the switch is off by default.) The digital I/O is always connected and must be made Hi-Z before enabling the ADC switch.

Table 7-1. Pin Attributes

| PIN NO. | SIGNAL NAME ⁽¹⁾ | SIGNAL TYPE ⁽²⁾ | PIN MUX ENCODING | SIGNAL DIRECTION | PAD STATES | | |
|---------|----------------------------|----------------------------|------------------|------------------|---------------------|--------------------|------------|
| | | | | | LPDS ⁽³⁾ | Hib ⁽⁴⁾ | nRESET = 0 |
| 1 | GPIO10 (PN) | I/O | 0 | I/O | Hi-Z, Pull, Drive | Hi-Z, Pull, Drive | Hi-Z |
| | I2C_SCL | | 1 | I/O (open drain) | Hi-Z, Pull, Drive | | |
| | GT_PWM06 | | 3 | O | Hi-Z, Pull, Drive | | |
| | UART1_TX | | 7 | O | 1 | | |
| | SDCARD_CLK | | 6 | O | 0 | | |
| | GT_CCP01 | | 12 | I | Hi-Z, Pull, Drive | | |
| 2 | GPIO11 (PN) | I/O | 0 | I/O | Hi-Z, Pull, Drive | Hi-Z, Pull, Drive | Hi-Z |
| | I2C_SDA | | 1 | I/O (open drain) | Hi-Z, Pull, Drive | | |
| | GT_PWM07 | | 3 | O | Hi-Z, Pull, Drive | | |
| | pXCLK (XVCLK) | | 4 | O | 0 | | |
| | SDCARD_CMD | | 6 | I/O (open drain) | Hi-Z, Pull, Drive | | |
| | UART1_RX | | 7 | I | Hi-Z, Pull, Drive | | |
| | GT_CCP02 | | 12 | I | Hi-Z, Pull, Drive | | |
| | McAFSX | | 13 | O | Hi-Z, Pull, Drive | | |
| 3 | GPIO12 (PN) | I/O | 0 | I/O | Hi-Z, Pull, Drive | Hi-Z, Pull, Drive | Hi-Z |
| | McACLK | | 3 | O | Hi-Z, Pull, Drive | | |
| | pVS (VSYNC) | | 4 | I | Hi-Z, Pull, Drive | | |
| | I2C_SCL | | 5 | I/O (open drain) | Hi-Z, Pull, Drive | | |
| | UART0_TX | | 7 | O | 1 | | |
| | GT_CCP03 | | 12 | I | Hi-Z, Pull, Drive | | |
| 4 | GPIO13 (PN) | I/O | 0 | I/O | Hi-Z, Pull, Drive | Hi-Z, Pull, Drive | Hi-Z |
| | I2C_SDA | | 5 | I/O (open drain) | | | |
| | pHS (HSYNC) | | 4 | I | | | |
| | UART0_RX | | 7 | I | | | |
| | GT_CCP04 | | 12 | I | | | |
| 5 | GPIO14 (PN) | I/O | 0 | I/O | Hi-Z, Pull, Drive | Hi-Z, Pull, Drive | Hi-Z |
| | I2C_SCL | | 5 | I/O (open drain) | | | |
| | GSPI_CLK | | 7 | I/O | | | |
| | pDATA8 (CAM_D4) | | 4 | I | | | |
| | GT_CCP05 | | 12 | I | | | |
| 6 | GPIO15 (PN) | I/O | 0 | I/O | Hi-Z, Pull, Drive | Hi-Z, Pull, Drive | Hi-Z |
| | I2C_SDA | | 5 | I/O (open drain) | | | |
| | GSPI_MISO | | 7 | I/O | | | |
| | pDATA9 (CAM_D5) | | 4 | I | | | |
| | GT_CCP06 | | 13 | I | | | |
| | SDCARD_DATA0 | | 8 | I/O | | | |

Table 7-1. Pin Attributes (continued)

| PIN NO. | SIGNAL NAME ⁽¹⁾ | SIGNAL TYPE ⁽²⁾ | PIN MUX ENCODING | SIGNAL DIRECTION | PAD STATES | | |
|---------|----------------------------|----------------------------|------------------|------------------|----------------------------------|---|------------|
| | | | | | LPDS ⁽³⁾ | Hib ⁽⁴⁾ | nRESET = 0 |
| 7 | GPIO16 (PN) | I/O | 0 | I/O | Hi-Z, Pull, Drive | Hi-Z, Pull, Drive | Hi-Z |
| | GSPI_MOSI | | 7 | I/O | Hi-Z, Pull, Drive | | |
| | pDATA10 (CAM_D6) | | 4 | I | Hi-Z, Pull, Drive | | |
| | UART1_TX | | 5 | O | 1 | | |
| | GT_CCP07 | | 13 | I | Hi-Z, Pull, Drive | | |
| | SDCARD_CLK | | 8 | O | 0 | | |
| 8 | GPIO17 (PN) | I/O | 0 | I/O | Hi-Z, Pull, Drive | Hi-Z, Pull, Drive | Hi-Z |
| | UART1_RX | | 5 | I | | | |
| | GSPI_CS | | 7 | I/O | | | |
| | pDATA11 (CAM_D7) | | 4 | I | | | |
| | SDCARD_CMD | | 8 | I/O | | | |
| 9 | VDD_DIG1 (PN) | — | N/A | N/A | N/A | N/A | N/A |
| 10 | VIN_IO1 | — | N/A | N/A | N/A | N/A | N/A |
| 11 | FLASH_SPI_CLK | O | N/A | O | Hi-Z, Pull, Drive ⁽⁵⁾ | Hi-Z, Pull, Drive | Hi-Z |
| 12 | FLASH_SPI_DOUT | O | N/A | O | Hi-Z, Pull, Drive ⁽⁵⁾ | Hi-Z, Pull, Drive | Hi-Z |
| 13 | FLASH_SPI_DIN | I | N/A | I | Hi-Z, Pull, Drive ⁽⁵⁾ | Hi-Z | Hi-Z |
| 14 | FLASH_SPI_CS | O | N/A | O | 1 | Hi-Z, Pull, Drive | Hi-Z |
| 15 | GPIO22 (PN) | I/O | 0 | I/O | Hi-Z, Pull, Drive | Hi-Z, Pull, Drive | Hi-Z |
| | McAFSX | O | 7 | O | | | |
| | GT_CCP04 | I | 5 | I | | | |
| 16 | TDI (PN) | I/O | 1 | I | Hi-Z, Pull, Drive | Hi-Z, Pull, Drive | Hi-Z |
| | GPIO23 | | 0 | I/O | | | |
| | UART1_TX | | 2 | O | 1 | | |
| | I2C_SCL | | 9 | I/O (open drain) | Hi-Z, Pull, Drive | | |
| 17 | TDO (PN) | I/O | 1 | O | Hi-Z, Pull, Drive | Driven high in SWD; driven low in 4-wire JTAG | Hi-Z |
| | GPIO24 | | 0 | I/O | | | |
| | PWM0 | | 5 | O | | | |
| | UART1_RX | | 2 | I | | | |
| | I2C_SDA | | 9 | I/O (open drain) | | | |
| | GT_CCP06 | | 4 | I | | | |
| | McAFSX | | 6 | O | | | |
| 18 | GPIO28 | I/O | 0 | I/O | Hi-Z, Pull, Drive | Hi-Z, Pull, Drive | Hi-Z |
| 19 | TCK (PN) | I/O | 1 | I | Hi-Z, Pull, Drive | Hi-Z, Pull, Drive | Hi-Z |
| | GT_PWM03 | | 8 | O | | | |
| 20 | TMS (PN) | I/O | 1 | I/O | Hi-Z, Pull, Drive | Hi-Z, Pull, Drive | Hi-Z |
| | GPIO29 | | 0 | | | | |

Table 7-1. Pin Attributes (continued)

| PIN NO. | SIGNAL NAME ⁽¹⁾ | SIGNAL TYPE ⁽²⁾ | PIN MUX ENCODING | SIGNAL DIRECTION | PAD STATES | | |
|--------------------|----------------------------|----------------------------|---------------------------|------------------|---------------------|--------------------|------------|
| | | | | | LPDS ⁽³⁾ | Hib ⁽⁴⁾ | nRESET = 0 |
| 21 ⁽⁶⁾ | GPIO25 | O | 0 | O | Hi-Z, Pull, Drive | Driven low | Hi-Z |
| | GT_PWM02 | | 9 | O | Hi-Z, Pull, Drive | | |
| | McAFSX | | 2 | O | Hi-Z, Pull, Drive | | |
| | TCXO_EN | | N/A (see ⁽⁸⁾) | O | 0 | | |
| | SOP2 (PN) | | N/A (see ⁽⁹⁾) | I | Hi-Z, Pull, Drive | | |
| 22 | WLAN_XTAL_N | — | N/A (see ⁽⁸⁾) | N/A | N/A | N/A | N/A |
| 23 | WLAN_XTAL_P | — | N/A | N/A | N/A | N/A | N/A |
| 24 | VDD_PLL | — | N/A | N/A | N/A | N/A | N/A |
| 25 | LDO_IN2 | — | N/A | N/A | N/A | N/A | N/A |
| 26 | NC | — | N/A | N/A | N/A | N/A | N/A |
| 27 | NC | — | N/A | N/A | N/A | N/A | N/A |
| 28 | NC | — | N/A | N/A | N/A | N/A | N/A |
| 29 ⁽¹⁰⁾ | ANTSEL1 | O | 0 | O | Hi-Z, Pull, Drive | Hi-Z, Pull, Drive | Hi-Z |
| 30 ⁽¹⁰⁾ | ANTSEL2 | O | 0 | O | Hi-Z, Pull, Drive | Hi-Z, Pull, Drive | Hi-Z |
| 31 | RF_BG | — | N/A | N/A | N/A | N/A | N/A |
| 32 | nRESET | — | N/A | N/A | N/A | N/A | N/A |
| 33 | VDD_PA_IN | — | N/A | N/A | N/A | N/A | N/A |
| 34 | SOP1 | — | N/A | N/A | N/A | N/A | N/A |
| 35 | SOP0 | — | N/A | N/A | N/A | N/A | N/A |
| 36 | LDO_IN1 | — | N/A | N/A | N/A | N/A | N/A |
| 37 | VIN_DCDC_ANA | — | N/A | N/A | N/A | N/A | N/A |
| 38 | DCDC_ANA_SW | — | N/A | N/A | N/A | N/A | N/A |
| 39 | VIN_DCDC_PA | — | N/A | N/A | N/A | N/A | N/A |
| 40 | DCDC_PA_SW_P | — | N/A | N/A | N/A | N/A | N/A |
| 41 | DCDC_PA_SW_N | — | N/A | N/A | N/A | N/A | N/A |
| 42 | DCDC_PA_OUT | — | N/A | N/A | N/A | N/A | N/A |
| 43 | DCDC_DIG_SW | — | N/A | N/A | N/A | N/A | N/A |
| 44 | VIN_DCDC_DIG | — | N/A | N/A | N/A | N/A | N/A |
| 45 ⁽⁷⁾ | GPIO31 | I/O | 0 | I/O | Hi-Z | Hi-Z | Hi-Z |
| | UART0_RX | | 9 | I | | | |
| | McAFSX | | 12 | O | | | |
| | UART1_RX | | 2 | I | | | |
| | McAXR0 | | 6 | I/O | | | |
| | GSPI_CLK | | 7 | I/O | | | |
| | DCDC_ANA2_SW_P (PN) | — | N/A (see ⁽⁸⁾) | N/A | N/A | N/A | N/A |
| 46 | DCDC_ANA2_SW_N | — | N/A | N/A | N/A | N/A | N/A |
| 47 | VDD_ANA2 | — | N/A | N/A | N/A | N/A | N/A |
| 48 | VDD_ANA1 | — | N/A | N/A | N/A | N/A | N/A |
| 49 | VDD_RAM | — | N/A | N/A | N/A | N/A | N/A |

Table 7-1. Pin Attributes (continued)

| PIN NO. | SIGNAL NAME ⁽¹⁾ | SIGNAL TYPE ⁽²⁾ | PIN MUX ENCODING | SIGNAL DIRECTION | PAD STATES | | |
|--------------------|----------------------------|---|---------------------------|------------------|---------------------|--------------------|------------|
| | | | | | LPDS ⁽³⁾ | Hib ⁽⁴⁾ | nRESET = 0 |
| 50 | GPIO0 (PN) | I/O | 0 | I/O | Hi-Z, Pull, Drive | Hi-Z, Pull, Drive | Hi-Z |
| | UART0_CTS | | 12 | I | Hi-Z, Pull, Drive | | |
| | McAXR1 | | 6 | I/O | Hi-Z, Pull, Drive | | |
| | GT_CCP00 | | 7 | I | Hi-Z, Pull, Drive | | |
| | GSPI_CS | | 9 | I/O | Hi-Z, Pull, Drive | | |
| | UART1_RTS | | 10 | O | 1 | | |
| | UART0_RTS | | 3 | O | 1 | | |
| | McAXR0 | | 4 | I/O | Hi-Z, Pull, Drive | | |
| 51 | RTC_XTAL_P | — | N/A | N/A | N/A | N/A | N/A |
| 52 ⁽¹¹⁾ | RTC_XTAL_N (PN) | O | N/A | N/A | N/A | Hi-Z, Pull, Drive | Hi-Z |
| | GPIO32 | | 0 | O | Hi-Z, Pull, Drive | | |
| | McACLK | | 2 | O | | | |
| | McAXR0 | | 4 | O | 1 | | |
| | UART0_RTS | | 6 | O | Hi-Z, Pull, Drive | | |
| | GSPI_MOSI | | 8 | O | Hi-Z, Pull, Drive | | |
| 53 | GPIO30 (PN) | I/O | 0 | I/O | Hi-Z, Pull, Drive | Hi-Z, Pull, Drive | Hi-Z |
| | UART0_TX | | 9 | O | 1 | | |
| | McACLK | | 2 | O | Hi-Z, Pull, Drive | | |
| | McAFSX | | 3 | O | | | |
| | GT_CCP05 | | 4 | I | | | |
| | GSPI_MISO | | 7 | I/O | | | |
| 54 | VIN_IO2 | — | N/A | N/A | N/A | N/A | N/A |
| 55 | GPIO1 (PN) | I/O | 0 | I/O | Hi-Z, Pull, Drive | Hi-Z, Pull, Drive | Hi-Z |
| | UART0_TX | | 3 | O | 1 | | |
| | pCLK (PIXCLK) | | 4 | I | Hi-Z, Pull, Drive | | |
| | UART1_TX | | 6 | O | 1 | | |
| | GT_CCP01 | | 7 | I | Hi-Z, Pull, Drive | | |
| 56 | VDD_DIG2 | — | N/A | N/A | N/A | N/A | N/A |
| 57 ⁽¹²⁾ | ADC_CH0 | Analog input (up to 1.5 V) or digital I/O | N/A (see ⁽⁸⁾) | I | Hi-Z, Pull, Drive | Hi-Z, Pull, Drive | Hi-Z |
| | GPIO2 (PN) | | 0 | I/O | | | |
| | UART0_RX | | 3 | I | | | |
| | UART1_RX | | 6 | I | | | |
| | GT_CCP02 | | 7 | I | | | |
| 58 ⁽¹²⁾ | ADC_CH1 | Analog input (up to 1.5 V) or digital I/O | N/A (see ⁽⁸⁾) | I | Hi-Z, Pull, Drive | Hi-Z, Pull, Drive | Hi-Z |
| | GPIO3 (PN) | | 0 | I/O | | | |
| | UART1_TX | | 6 | O | 1 | | |
| | pDATA7 (CAM_D3) | | 4 | I | Hi-Z, Pull, Drive | | |
| 59 ⁽¹²⁾ | ADC_CH2 | Analog input (up to 1.5 V) or digital I/O | N/A (see ⁽⁸⁾) | I | Hi-Z, Pull, Drive | Hi-Z, Pull, Drive | Hi-Z |
| | GPIO4 (PN) | | 0 | I/O | | | |
| | UART1_RX | | 6 | I | | | |
| | pDATA6 (CAM_D2) | | 4 | I | | | |

Table 7-1. Pin Attributes (continued)

| PIN NO. | SIGNAL NAME ⁽¹⁾ | SIGNAL TYPE ⁽²⁾ | PIN MUX ENCODING | SIGNAL DIRECTION | PAD STATES | | |
|--------------------|----------------------------|---|---------------------------|------------------|---------------------|--------------------|------------|
| | | | | | LPDS ⁽³⁾ | Hib ⁽⁴⁾ | nRESET = 0 |
| 60 ⁽¹²⁾ | ADC_CH3 | Analog input (up to 1.5 V) or digital I/O | N/A (see ⁽⁸⁾) | I | Hi-Z, Pull, Drive | Hi-Z, Pull, Drive | Hi-Z |
| | GPIO5 (PN) | | 0 | I/O | | | |
| | pDATA5 (CAM_D1) | | 4 | I | | | |
| | McAXR1 | | 6 | I/O | | | |
| | GT_CCP05 | | 7 | I | | | |
| 61 | GPIO6 (PN) | I/O | 0 | I/O | Hi-Z, Pull, Drive | Hi-Z, Pull, Drive | Hi-Z |
| | UART0_RTS | | 5 | O | 1 | | |
| | pDATA4 (CAM_D0) | | 4 | I | Hi-Z, Pull, Drive | | |
| | UART1_CTS | | 3 | I | | | |
| | UART0_CTS | | 6 | I | | | |
| | GT_CCP06 | | 7 | I | | | |
| 62 | GPIO7 (PN) | I/O | 0 | I/O | Hi-Z, Pull, Drive | Hi-Z, Pull, Drive | Hi-Z |
| | McACLKX | | 13 | O | 1 | | |
| | UART1_RTS | | 3 | O | | | |
| | UART0_RTS | | 10 | O | | | |
| | UART0_TX | | 11 | O | | | |
| 63 | GPIO8 (PN) | I/O | 0 | I/O | Hi-Z, Pull, Drive | Hi-Z, Pull, Drive | Hi-Z |
| | SDCARD_IRQ | | 6 | I | | | |
| | McAFSX | | 7 | O | | | |
| | GT_CCP06 | | 12 | I | | | |
| 64 | GPIO9 (PN) | I/O | 0 | I/O | Hi-Z, Pull, Drive | Hi-Z, Pull, Drive | Hi-Z |
| | GT_PWM05 | | 3 | O | | | |
| | SDCARD_DATA0 | | 6 | I/O | | | |
| | McAXR0 | | 7 | I/O | | | |
| | GT_CCP00 | | 12 | I | | | |
| GND_TAB | — | — | N/A | N/A | N/A | N/A | N/A |

- (1) Signals names with (PN) denote the default pin name.
- (2) Signal Types: I = Input, O = Output, I/O = Input or Output.
- (3) LPDS state: Unused I/Os are in a Hi-Z state. Software may program the I/Os to be input with pull or drive (regardless of active pin configuration), according to the need.
- (4) Hibernate mode: The I/Os are in a Hi-Z state. Software may program the I/Os to be input with pull or drive (regardless of active pin configuration), according to the need.
- (5) To minimize leakage in some serial flash vendors during LPDS, TI recommends that the user application always enables internal weak pulldown resistors on the FLASH_SPI_DIN, FLASH_SPI_DOUT, and FLASH_SPI_CLK pins.
- (6) This pin has dual functions: as a SOP[2] (device operation mode), and as an external TCXO enable. As a TXCO enable, the pin is an output on power up and driven logic high. During hibernate low-power mode, the pin is in a Hi-Z state but is pulled down for SOP mode to disable TCXO. Because of the SOP functionality, the pin must be used as an output only.
- (7) Pin 45 is used by an internal DC/DC (ANA2_DCDC). This pin will be available automatically if serial flash is forced in the CC3220SF device. For the CC3220R and CC3220S devices, pin 45 can be used as GPIO_31 if a supply is provided on pin 47.
- (8) For details on proper use, see [Section 7.5](#).
- (9) This pin is one of three that must have a passive pullup or pulldown resistor onboard to configure the device hardware power-up mode. For this reason, the pin must be output only when used for digital functions.
- (10) This pin is reserved for WLAN antenna selection, controlling an external RF switch that multiplexes the RF pin of the CC3220x device between two antennas. These pins must not be used for other functionalities.
- (11) Pin 52 is used by the RTC crystal oscillator. These devices use automatic configuration sensing. Therefore, some board-level configuration is required to use pin 52 as a digital pad. Pin 52 is used for RTC crystal in most applications. However, in some applications a 32.768-kHz square-wave clock might always be available onboard. When a 32.768-kHz square-wave clock is available, the crystal can be removed to free pin 52 for digital functions. The external clock must then be applied at pin 51. For the chip to automatically detect this configuration, a 100-kΩ pullup resistor must be connected between pin 52 and the supply line. To prevent false detection, TI recommends using pin 52 for output-only functions.
- (12) This pin is shared by the ADC inputs and digital I/O pad cells.

Note

The ADC inputs are tolerant up to 1.8 V (see [Section 8.14.6.6.1](#) for more details about the usable range of the ADC). On the other hand, the digital pads can tolerate up to 3.6 V. Hence, take care to prevent accidental damage to the ADC inputs. TI recommends first disabling the output buffers of the digital I/Os corresponding to the desired ADC channel (that is, converted to Hi-Z state), and thereafter disabling the respective pass switches (S7 [Pin 57], S8 [Pin 58], S9 [Pin 59], and S10 [Pin 60]). For more information about drive strength and reset states for analog-digital multiplexed pins, see [Section 7.5](#).

7.3 Signal Descriptions

7.3.1 Signal Descriptions

| FUNCTION | SIGNAL NAME | PIN NO. | PIN TYPE | SIGNAL DIRECTION | DESCRIPTION |
|-------------------|-------------|---------|----------|------------------|---|
| ADC | ADC_CH0 | 57 | I/O | I | ADC channel 0 input (maximum of 1.5 V) |
| | ADC_CH1 | 58 | I/O | I | ADC channel 1 input (maximum of 1.5 V) |
| | ADC_CH2 | 59 | I/O | I | ADC channel 2 input (maximum of 1.5 V) |
| | ADC_CH3 | 60 | I/O | I | ADC channel 3 input (maximum of 1.5 V) |
| Antenna selection | ANTSEL1 | 29 | O | O | Antenna selection control 1 |
| | ANTSEL2 | 30 | O | O | Antenna selection control 2 |
| Clock | TCX0_EN | 21 | O | O | Enable to optional external 40-MHz TCXO |
| | WLAN_XTAL_N | 22 | — | — | 40-MHz crystal; pull down if external TCXO is used |
| | WLAN_XTAL_P | 23 | — | — | 40-MHz crystal or TCXO clock input |
| | RTC_XTAL_P | 51 | — | — | Connect 32.768-kHz crystal or force external CMOS level clock |
| | RTC_XTAL_N | 52 | — | — | Connect 32.768-kHz crystal or connect 100-kΩ resistor to supply voltage |
| JTAG / SWD | TDI | 16 | I/O | I | JTAG TDI. Reset default pinout. |
| | TDO | 17 | I/O | O | JTAG TDO. Reset default pinout. |
| | TCK | 19 | I/O | I | JTAG/SWD TCK. Reset default pinout. |
| | TMS | 20 | I/O | I/O | JTAG/SWD TMS. Reset default pinout. |
| I ² C | I2C_SCL | 1 | I/O | I/O (open drain) | I ² C clock data |
| | | 3 | | | |
| | | 5 | | | |
| | | 16 | | | |
| | I2C_SDA | 2 | I/O | I/O (open drain) | I ² C data |
| | | 4 | | | |
| | | 6 | | | |
| | | 17 | | | |

| FUNCTION | SIGNAL NAME | PIN NO. | PIN TYPE | SIGNAL DIRECTION | DESCRIPTION | |
|----------|-------------|---------|----------|------------------------------|------------------------------|--------------------|
| Timers | GT_PWM06 | 1 | I/O | O | Pulse-width modulated O/P | |
| | GT_CCP01 | 1 | I/O | I | Timer capture port | |
| | GT_PWM07 | 2 | I/O | O | Pulse-width modulated O/P | |
| | GT_CCP02 | 2 | I/O | I | Timer capture port | |
| | GT_CCP03 | 3 | I/O | I | | |
| | GT_CCP04 | 4 | I/O | I | | |
| | | 15 | I/O | I | | |
| | GT_CCP05 | 5 | I/O | I | | |
| | GT_CCP06 | | 6 | I/O | | I |
| | | | 17 | I/O | | I |
| | | | 61 | I/O | | I |
| | | | 63 | I/O | | I |
| | GT_CCP07 | 7 | I/O | I | | |
| | PWM0 | 17 | I/O | O | Pulse-width modulated output | |
| | GT_PWM03 | 19 | I/O | O | | |
| | GT_PWM02 | 21 | O | O | | |
| | GT_CCP00 | | 50 | I/O | I | Timer capture port |
| | | | 64 | I/O | I | |
| | GT_CCP05 | 53 | I/O | I | | |
| | GT_CCP01 | 55 | I/O | I | | |
| GT_CCP02 | 57 | I/O | I | | | |
| GT_CCP05 | 60 | I | I | | | |
| GT_PWM05 | 64 | I/O | O | Pulse-width modulated output | | |

| FUNCTION | SIGNAL NAME | PIN NO. | PIN TYPE | SIGNAL DIRECTION | DESCRIPTION |
|----------------------------------|-------------|---------|----------|--|--|
| GPIO | GPIO10 | 1 | I/O | I/O | General-purpose input or output |
| | GPIO11 | 2 | I/O | I/O | |
| | GPIO12 | 3 | I/O | I/O | |
| | GPIO13 | 4 | I/O | I/O | |
| | GPIO14 | 5 | I/O | I/O | |
| | GPIO15 | 6 | I/O | I/O | |
| | GPIO16 | 7 | I/O | I/O | |
| | GPIO17 | 8 | I/O | I/O | |
| | GPIO22 | 15 | I/O | I/O | |
| | GPIO23 | 16 | I/O | I/O | |
| | GPIO24 | 17 | I/O | I/O | |
| | GPIO28 | 18 | I/O | I/O | |
| | GPIO29 | 20 | I/O | I/O | |
| | GPIO25 | 21 | O | O | General-purpose output only |
| | GPIO31 | 45 | I/O | I/O | General-purpose input or output |
| | GPIO0 | 50 | I/O | I/O | General-purpose input or output |
| | GPIO32 | 52 | I/O | O | General-purpose output only |
| | GPIO30 | 53 | I/O | I/O | General-purpose input or output |
| | GPIO1 | 55 | I/O | I/O | |
| | GPIO2 | 57 | I/O | I/O | |
| GPIO3 | 58 | I/O | I/O | | |
| GPIO4 | 59 | I/O | I/O | | |
| GPIO5 | 60 | I/O | I/O | | |
| GPIO6 | 61 | I/O | I/O | | |
| GPIO7 | 62 | I/O | I/O | | |
| GPIO8 | 63 | I/O | I/O | | |
| GPIO9 | 64 | I/O | I/O | | |
| McASP I ² S or PCM | McAFSX | 2 | I/O | O | I ² S audio port frame sync |
| | | 15 | | | |
| | | 17 | | | |
| | | 21 | | | |
| | | 45 | | | |
| | | 53 | | | |
| | 63 | | | | |
| | McACLK | 3 | I/O | O | I ² S audio port clock output |
| | | 52 | O | O | |
| | | 53 | I/O | O | |
| | McAXR1 | 50 | I/O | I/O | I ² S audio port data 1 (RX and TX) |
| | | 60 | I | I/O | |
| | McAXR0 | 45 | I/O | I/O | I ² S audio port data 0 (RX and TX) |
| 50 | | I/O | I/O | | |
| 52 | | O | O | I ² S audio port data (only output mode is supported on pin 52) | |
| 64 | | I/O | I/O | I ² S audio port data (RX and TX) | |
| McACLKX | 62 | I/O | O | I ² S audio port clock | |

| FUNCTION | SIGNAL NAME | PIN NO. | PIN TYPE | SIGNAL DIRECTION | DESCRIPTION |
|-----------------------------------|------------------|---------|----------|---|--|
| Multimedia card (MMC or SD) | SDCARD_CLK | 1 | I/O | O | SD card clock data |
| | | 7 | | | |
| | SDCARD_CMD | 2 | I/O | I/O (open drain) | SD card command line |
| | | 8 | I/O | I/O | |
| | SDCARD_DATA0 | 6 | I/O | I/O | SD card data |
| 64 | | | | | |
| SDCARD_IRQ | 63 | I/O | I | Interrupt from SD card (future support) | |
| Parallel interface (8-bit π) | pXCLK (XVCLK) | 2 | I/O | O | Free clock to parallel camera |
| | pVS (VSYNC) | 3 | I/O | I | Parallel camera vertical sync |
| | pHS (HSYNC) | 4 | I/O | I | Parallel camera horizontal sync |
| | pDATA8 (CAM_D4) | 5 | I/O | I | Parallel camera data bit 4 |
| | pDATA9 (CAM_D5) | 6 | I/O | I | Parallel camera data bit 5 |
| | pDATA10 (CAM_D6) | 7 | I/O | I | Parallel camera data bit 6 |
| | pDATA11 (CAM_D7) | 8 | I/O | I | Parallel camera data bit 7 |
| | pCLK (PIXCLK) | 55 | I/O | I | Pixel clock from parallel camera sensor |
| | pDATA7 (CAM_D3) | 58 | I/O | I | Parallel camera data bit 3 |
| | pDATA6 (CAM_D2) | 59 | I/O | I | Parallel camera data bit 2 |
| | pDATA5 (CAM_D1) | 60 | I | I | Parallel camera data bit 1 |
| pDATA4 (CAM_D0) | 61 | I/O | I | Parallel camera data bit 0 | |
| Power | VDD_DIG1 | 9 | — | — | Internal digital core voltage |
| | VIN_IO1 | 10 | — | — | Device supply voltage (V_{BAT}) |
| | VDD_PLL | 24 | — | — | Internal analog voltage |
| | LDO_IN2 | 25 | — | — | Internal analog RF supply from analog DC/DC output |
| | VDD_PA_IN | 33 | — | — | Internal PA supply voltage from PA DC/DC output |
| | LDO_IN1 | 36 | — | — | Internal analog RF supply from analog DC/DC output |
| | VIN_DCDC_ANA | 37 | — | — | Analog DC/DC input (connected to device input supply [V_{BAT}]) |
| | DCDC_ANA_SW | 38 | — | — | Internal analog DC/DC switching node |
| | VIN_DCDC_PA | 39 | — | — | PA DC/DC input (connected to device input supply [V_{BAT}]) |
| | DCDC_PA_SW_P | 40 | — | — | Internal PA DC/DC switching node |
| | DCDC_PA_SW_N | 41 | — | — | Internal PA DC/DC switching node |
| | DCDC_PA_OUT | 42 | — | — | Internal PA buck converter output |
| | DCDC_DIG_SW | 43 | — | — | Internal digital DC/DC switching node |
| | VIN_DCDC_DIG | 44 | — | — | Digital DC/DC input (connected to device input supply [V_{BAT}]) |
| | DCDC_ANA2_SW_P | 45 | — | — | Analog to DC/DC converter +ve switching node |
| | DCDC_ANA2_SW_N | 46 | — | — | Internal analog to DC/DC converter -ve switching node |
| | VDD_ANA2 | 47 | — | — | Internal analog to DC/DC output |
| | VDD_ANA1 | 48 | — | — | Internal analog supply fed by ANA2 DC/DC output |
| VDD_RAM | 49 | — | — | Internal SRAM LDO output | |
| VIN_IO2 | 54 | — | — | Device supply voltage (V_{BAT}) | |
| VDD_DIG2 | 56 | — | — | Internal digital core voltage | |

| FUNCTION | SIGNAL NAME | PIN NO. | PIN TYPE | SIGNAL DIRECTION | DESCRIPTION | |
|----------------|----------------|-------------------|----------|------------------|---|--|
| SPI | GSPI_CLK | 5 | I/O | I/O | General SPI clock | |
| | | 45 | I/O | I/O | | |
| | GSPI_MISO | 6 | I/O | I/O | General SPI MISO | |
| | | 53 | I/O | I/O | | |
| | GSPI_CS | 8 | I/O | I/O | General SPI chip select | |
| | | 50 | I/O | I/O | | |
| GSPI_MOSI | 7 | I/O | I/O | General SPI MOSI | | |
| | 52 | O | O | | | |
| FLASH SPI | FLASH_SPI_CLK | 11 | O | O | Clock to SPI serial flash (fixed default) | |
| | FLASH_SPI_DOUT | 12 | O | O | Data to SPI serial flash (fixed default) | |
| | FLASH_SPI_DIN | 13 | I | I | Data from SPI serial flash (fixed default) | |
| | FLASH_SPI_CS | 14 | O | O | Device select to SPI serial flash (fixed default) | |
| UART | UART1_TX | 1 | I/O | O | UART1 TX data | |
| | | 7 | I/O | O | | |
| | | 16 | I/O | O | | |
| | | 55 | I/O | O | | |
| | | 58 | I/O | O | | |
| | UART1_RX | 2 | I/O | I | UART1 RX data | |
| | | 8 | I/O | I | | |
| | | 17 | I/O | I | | |
| | | 45 | I/O | I | | |
| | | 57 | I/O | I | | |
| | | 59 | I/O | I | | |
| | | 59 | I/O | I | | |
| | UART1_RTS | 50 | I/O | O | UART1 request-to-send (active low) | |
| | | 62 | I/O | O | | |
| | UART1_CTS | 61 | I/O | I | UART1 clear-to-send (active low) | |
| | UART0_TX | UART0_TX | 3 | I/O | O | UART0 TX data |
| | | | 53 | I/O | O | |
| | | | 55 | I/O | O | |
| | | | 62 | I/O | O | |
| | UART0_RX | UART0_RX | 4 | I/O | I | UART0 RX data |
| | | | 45 | I/O | I | |
| | | | 57 | I/O | I | |
| | UART0_CTS | UART0_CTS | 50 | I/O | I | UART0 clear-to-send input (active low) |
| | | | 61 | I/O | I | |
| UART0_RTS | UART0_RTS | 50 | I/O | O | UART0 request-to-send (active low) | |
| | | 52 | O | O | | |
| | | 61 | I/O | O | | |
| | | 62 | I/O | O | | |
| Sense-on-Power | SOP2 | 21 ⁽¹⁾ | O | I | Sense-on-power 2 | |
| | SOP1 | 34 | — | — | Configuration sense-on-power 1 | |
| | SOP0 | 35 | — | — | Configuration sense-on-power 0 | |
| Reset | nRESET | 32 | — | — | Global master device reset (active low) | |

| FUNCTION | SIGNAL NAME | PIN NO. | PIN TYPE | SIGNAL DIRECTION | DESCRIPTION |
|----------|-------------|---------|----------|------------------|---------------------------------|
| RF | RF_BG | 31 | — | — | WLAN analog RF 802.11 b/g bands |

- (1) This pin has dual functions: as a SOP[2] (device operation mode), and as an external TCXO enable. As a TCXO enable, the pin is an output on power up and driven logic high. During hibernate low-power mode, the pin is in a Hi-Z state but is pulled down for SOP mode to disable TCXO. Because of the SOP functionality, the pin must be used as an output only.

7.4 Pin Multiplexing

Table 7-2. Pin Multiplexing

| REGISTER ADDRESS | REGISTER NAME | PIN | ANALOG OR SPECIAL FUNCTION | DIGITAL FUNCTION (XXX FIELD ENCODING) ⁽¹⁾ | | | | | | | | | | | | | |
|------------------|--------------------|-------------------|--------------------------------|--|---------|----------|----------|-------------------|-----------|------------|-----------|------------|----------|----------|----|-----------|-----------|
| | | | | JTAG | 0 | 1 | 2 | 3 | 4 | 5 | 6 | 7 | 8 | 9 | 10 | 11 | 12 |
| 0x4402E0C8 | GPIO_PAD_CONFIG_10 | 1 | — | GPIO10 | I2C_SCL | — | GT_PWM06 | — | — | SDCARD_CLK | UART1_TX | — | — | — | — | GT_CC P01 | — |
| 0x4402E0CC | GPIO_PAD_CONFIG_11 | 2 | — | GPIO11 | I2C_SDA | — | GT_PWM07 | pXCLK (XVCLK) | — | SDCARD_CMD | UART1_RX | — | — | — | — | GT_CC P02 | McAFSX |
| 0x4402E0D0 | GPIO_PAD_CONFIG_12 | 3 | — | GPIO12 | — | — | McACLK | pVS (VSYN C) | I2C_SCL | — | UART0_TX | — | — | — | — | GT_CC P03 | — |
| 0x4402E0D4 | GPIO_PAD_CONFIG_13 | 4 | — | GPIO13 | — | — | — | pHS (HSYN C) | I2C_SDA | — | UART0_RX | — | — | — | — | GT_CC P04 | — |
| 0x4402E0D8 | GPIO_PAD_CONFIG_14 | 5 | — | GPIO14 | — | — | — | pDATA 8 (CAM_D4) | I2C_SCL | — | GSPI_CLK | — | — | — | — | GT_CC P05 | — |
| 0x4402E0DC | GPIO_PAD_CONFIG_15 | 6 | — | GPIO15 | — | — | — | pDATA 9 (CAM_D5) | I2C_SDA | — | GSPI_MISO | SDCARD_D0 | — | — | — | — | GT_CC P06 |
| 0x4402E0E0 | GPIO_PAD_CONFIG_16 | 7 | — | GPIO16 | — | — | — | pDATA 10 (CAM_D6) | UART1_TX | — | GSPI_MOSI | SDCARD_CLK | — | — | — | — | GT_CC P07 |
| 0x4402E0E4 | GPIO_PAD_CONFIG_17 | 8 | — | GPIO17 | — | — | — | pDATA 11 (CAM_D7) | UART1_RX | — | GSPI_CS | SDCARD_CMD | — | — | — | — | — |
| 0x4402E0F8 | GPIO_PAD_CONFIG_22 | 15 | — | GPIO22 | — | — | — | — | GT_CC P04 | — | McAFSX | — | — | — | — | — | — |
| 0x4402E0FC | GPIO_PAD_CONFIG_23 | 16 | Muxed with JTAG | GPIO23 | TDI | UART1_TX | — | — | — | — | — | — | I2C_SCL | — | — | — | — |
| 0x4402E100 | GPIO_PAD_CONFIG_24 | 17 | Muxed with JTAG TDO | GPIO24 | TDO | UART1_RX | — | GT_CCP06 | PWM0 | McAFSX | — | — | I2C_SDA | — | — | — | — |
| 0x4402E140 | GPIO_PAD_CONFIG_40 | 18 | — | GPIO28 | — | — | — | — | — | — | — | — | — | — | — | — | — |
| 0x4402E110 | GPIO_PAD_CONFIG_28 | 19 | Muxed with JTAG or SWD and TCK | — | TCK | — | — | — | — | — | — | — | GT_PWM03 | — | — | — | — |
| 0x4402E114 | GPIO_PAD_CONFIG_29 | 20 | Muxed with JTAG or SWD and TMS | GPIO29 | TMS | — | — | — | — | — | — | — | — | — | — | — | — |
| 0x4402E104 | GPIO_PAD_CONFIG_25 | 21 ⁽²⁾ | — | GPIO25 | — | McAFSX | — | — | — | — | — | — | — | GT_PWM02 | — | — | — |
| 0x4402E108 | GPIO_PAD_CONFIG_26 | 29 | — | ANTSEL1 ⁽³⁾ | — | — | — | — | — | — | — | — | — | — | — | — | — |
| 0x4402E10C | GPIO_PAD_CONFIG_27 | 30 | — | ANTSEL2 ⁽³⁾ | — | — | — | — | — | — | — | — | — | — | — | — | — |

Table 7-2. Pin Multiplexing (continued)

| REGISTER ADDRESS | REGISTER NAME | PIN | ANALOG OR SPECIAL FUNCTION | DIGITAL FUNCTION (XXX FIELD ENCODING) ⁽¹⁾ | | | | | | | | | | | | | | | |
|------------------|--------------------|-----|----------------------------|--|---|--------|-----------|-----------------|---|---|-----------|--------------|-----------|----------|-----------|-----------|----------|-----------|-----------|
| | | | | JTAG | 0 | 1 | 2 | 3 | 4 | 5 | 6 | 7 | 8 | 9 | 10 | 11 | 12 | 13 | |
| 0x4402E11C | GPIO_PAD_CONFIG_31 | 45 | — | GPIO31 | — | — | UART1_RX | — | — | — | McAXR0 | GSPI_CLK | — | UART0_RX | — | — | McAFSX | — | |
| 0x4402E0A0 | GPIO_PAD_CONFIG_0 | 50 | — | GPIO0 | — | — | UART0_RTS | McAXR0 | — | — | McAXR1 | GT_CC_P00 | — | GSPI_CS | UART1_RTS | — | — | UART0_CTS | — |
| 0x4402E120 | GPIO_PAD_CONFIG_32 | 52 | — | GPIO32 | — | McACLK | — | McAXR0 | — | — | UART0_RTS | — | GSPI_MOSI | — | — | — | — | — | — |
| 0x4402E118 | GPIO_PAD_CONFIG_30 | 53 | — | GPIO30 | — | McACLK | McAFSX | GT_CP05 | — | — | — | GSPI_MISO | — | UART0_TX | — | — | — | — | — |
| 0x4402E0A4 | GPIO_PAD_CONFIG_1 | 55 | — | GPIO1 | — | — | UART0_TX | pCLK (PIXCLK) | — | — | UART1_TX | GT_CC_P01 | — | — | — | — | — | — | — |
| 0x4402E0A8 | GPIO_PAD_CONFIG_2 | 57 | — | GPIO2 | — | — | UART0_RX | — | — | — | UART1_RX | GT_CC_P02 | — | — | — | — | — | — | — |
| 0x4402E0AC | GPIO_PAD_CONFIG_3 | 58 | — | GPIO3 | — | — | — | pDATA7 (CAM_D3) | — | — | UART1_TX | — | — | — | — | — | — | — | — |
| 0x4402E0B0 | GPIO_PAD_CONFIG_4 | 59 | — | GPIO4 | — | — | — | pDATA6 (CAM_D2) | — | — | UART1_RX | — | — | — | — | — | — | — | — |
| 0x4402E0B4 | GPIO_PAD_CONFIG_5 | 60 | — | GPIO5 | — | — | — | pDATA5 (CAM_D1) | — | — | McAXR1 | GT_CC_P05 | — | — | — | — | — | — | — |
| 0x4402E0B8 | GPIO_PAD_CONFIG_6 | 61 | — | GPIO6 | — | — | UART1_CTS | pDATA4 (CAM_D0) | — | — | UART0_RTS | UART0_CTS | GT_CC_P06 | — | — | — | — | — | — |
| 0x4402E0BC | GPIO_PAD_CONFIG_7 | 62 | — | GPIO7 | — | — | UART1_RTS | — | — | — | — | — | — | — | — | UART0_RTS | UART0_TX | — | McACLKX |
| 0x4402E0C0 | GPIO_PAD_CONFIG_8 | 63 | — | GPIO8 | — | — | — | — | — | — | — | SDCARD_IRQ | McAFSX | — | — | — | — | — | GT_CC_P06 |
| 0x4402E0C4 | GPIO_PAD_CONFIG_9 | 64 | — | GPIO9 | — | — | GT_PWM05 | — | — | — | — | SDCARD_DATA0 | McAXR0 | — | — | — | — | — | GT_CC_P00 |

- (1) Pin mux encodings with (RD) denote the default encoding after reset release.
- (2) This pin has dual functions: as a SOP[2] (device operation mode), and as an external TCXO enable. As a TCXO enable, the pin is an output on power up and driven logic high. During hibernate low-power mode, the pin is in a Hi-Z state but is pulled down for SOP mode to disable TCXO. Because of the SOP functionality, the pin must be used as an output only.

7.5 Drive Strength and Reset States for Analog and Digital Multiplexed Pins

Table 7-3 describes the use, drive strength, and default state of analog and digital multiplexed pins at first-time power up and reset (nRESET pulled low).

Table 7-3. Drive Strength and Reset States for Analog and Digital Multiplexed Pins

| Pin | BOARD-LEVEL CONFIGURATION AND USE | DEFAULT STATE AT FIRST POWER UP OR FORCED RESET | STATE AFTER CONFIGURATION OF ANALOG SWITCHES (ACTIVE, LPDS, AND HIB POWER MODES) | MAXIMUM EFFECTIVE DRIVE STRENGTH (mA) |
|-----|---|--|--|---------------------------------------|
| 29 | Connected to the enable pin of the RF switch (ANTSEL1). Other use is not recommended. | Analog is isolated. The digital I/O cell is also isolated. | Determined by the I/O state, as are other digital I/Os. | 4 |
| 30 | Connected to the enable pin of the RF switch (ANTSEL2). Other use is not recommended. | Analog is isolated. The digital I/O cell is also isolated. | Determined by the I/O state, as are other digital I/Os. | 4 |
| 45 | VDD_ANA2 (pin 47) must be shorted to the input supply rail. Otherwise, the pin is driven by the ANA2 DC/DC. | Analog is isolated. The digital I/O cell is also isolated. | Determined by the I/O state, as are other digital I/Os. | 4 |
| 50 | Generic I/O | Analog is isolated. The digital I/O cell is also isolated. | Determined by the I/O state, as are other digital I/Os. | 4 |
| 52 | The pin must have an external pullup of 100 kΩ to the supply rail and must be used in output signals only. | Analog is isolated. The digital I/O cell is also isolated. | Determined by the I/O state, as are other digital I/Os. | 4 |
| 53 | Generic I/O | Analog is isolated. The digital I/O cell is also isolated. | Determined by the I/O state, as are other digital I/Os. | 4 |
| 57 | Analog signal (1.8-V absolute, 1.46-V full scale) | ADC is isolated. The digital I/O cell is also isolated. | Determined by the I/O state, as are other digital I/Os. | 4 |
| 58 | Analog signal (1.8-V absolute, 1.46-V full scale) | ADC is isolated. The digital I/O cell is also isolated. | Determined by the I/O state, as are other digital I/Os. | 4 |
| 59 | Analog signal (1.8-V absolute, 1.46-V full scale) | ADC is isolated. The digital I/O cell is also isolated. | Determined by the I/O state, as are other digital I/Os. | 4 |
| 60 | Analog signal (1.8-V absolute, 1.46-V full scale) | ADC is isolated. The digital I/O cell is also isolated. | Determined by the I/O state, as are other digital I/Os. | 4 |

7.6 Pad State After Application of Power to Chip But Before Reset Release

When a stable power is applied to the CC3220x chip for the first time or when supply voltage is restored to the proper value following a period with supply voltage less than 1.5 V, the level of each digital pad is undefined in the period starting from the release of nRESET and until DIG_DCDC powers up. This period is less than approximately 10 ms. During this period, pads can be internally pulled weakly in either direction. If a certain set of pins is required to have a definite value during this prereset period, an appropriate pullup or pulldown resistor must be used at the board level. The recommended value of this external pull is 2.7 kΩ.

7.7 Connections for Unused Pins

All unused pins must be left as no connect (NC) pins. [Table 7-4](#) provides a list of NC pins.

Table 7-4. Connections for Unused Pins

| PIN | DEFAULT FUNCTION | STATE AT RESET AND HIBERNATE | I/O TYPE | DESCRIPTION |
|-----|------------------|------------------------------|----------|----------------------------|
| 26 | NC | WLAN analog | — | Unused; leave unconnected. |
| 27 | NC | WLAN analog | — | Unused; leave unconnected. |
| 28 | NC | WLAN analog | — | Unused; leave unconnected. |

8 Specifications

All measurements are referenced at the device pins, unless otherwise indicated. All specifications are over process and voltage, unless otherwise indicated.

8.1 Absolute Maximum Ratings

All measurements are referenced at the device pins unless otherwise indicated. All specifications are over process, voltage, and operating free-air temperature range (unless otherwise noted) ⁽¹⁾ ⁽²⁾

| | | MIN | MAX | UNIT |
|---|----------------------|--|-----------------------|------|
| V _{BAT} and V _{IO} | Pins: 37, 39, 44 | -0.5 | 3.8 | V |
| V _{IO} – V _{BAT} (differential) | Pins: 10, 54 | V _{BAT} and V _{IO} should be tied together | | V |
| Digital inputs | | -0.5 | V _{IO} + 0.5 | V |
| RF pins | | -0.5 | 2.1 | V |
| Analog pins, crystal | Pins: 22, 23, 51, 52 | -0.5 | 2.1 | V |
| Operating temperature, T _A | | -40 | 85 | °C |
| Storage temperature, T _{stg} | | -55 | 125 | °C |

- (1) Stresses beyond those listed under Absolute Maximum Ratings may cause permanent damage to the device. These are stress ratings only, and functional operation of the device at these or any other conditions beyond those indicated under Recommended Operating Conditions is not implied. Exposure to absolute-maximum-rated conditions for extended periods may affect device reliability.
- (2) All voltage values are with respect to V_{SS}, unless otherwise noted.

8.2 ESD Ratings

| | | VALUE | UNIT |
|------------------|-------------------------|--|-------|
| V _{ESD} | Electrostatic discharge | Human body model (HBM), per ANSI/ESDA/JEDEC JS-001 ⁽¹⁾ | ±2000 |
| | | Charged device model (CDM), per JEDEC specification JESD22-C101 ⁽²⁾ | ±500 |

- (1) JEDEC document JEP155 states that 500-V HBM allows safe manufacturing with a standard ESD control process.
- (2) JEDEC document JEP157 states that 250-V CDM allows safe manufacturing with a standard ESD control process.

8.3 Power-On Hours (POH)

This information is provided solely for your convenience and does not extend or modify the warranty provided under TI's standard terms and conditions for TI semiconductor products.

| OPERATING CONDITION | POWER-ON HOURS [POH] (hours) |
|--|---------------------------------|
| T _A up to 85°C ⁽¹⁾ | 87,600 |

- (1) The TX duty cycle (power amplifier ON time) is assumed to be 10% of the device POH. Of the remaining 90% of the time, the device can be in any other state.

8.4 Recommended Operating Conditions

over operating free-air temperature range (unless otherwise noted)^{(1) (2)}

| | | | MIN | TYP | MAX | UNIT |
|--|-----------------------------|--|--------------------|-----|-----|-----------|
| V _{BAT} , V _{IO} (shorted to V _{BAT}) | Pins: 10, 37, 39, 44, 54 | Direct battery connection ⁽³⁾ | 2.1 ⁽⁶⁾ | 3.3 | 3.6 | V |
| | | Preregulated 1.85 V ^{(4) (5)} | | | | |
| Ambient thermal slew | | | -20 | | 20 | °C/minute |

- (1) Operating temperature is limited by crystal frequency variation.
- (2) When operating at an ambient temperature of over 75°C, the transmit duty cycle must remain below 50% to avoid the auto-protect feature of the power amplifier. If the auto-protect feature triggers, the device takes a maximum of 60 seconds to restart the transmission.
- (3) To ensure WLAN performance, ripple on the supply must be less than ±300 mV.
- (4) To ensure WLAN performance, ripple on the 1.85-V supply must be less than 2% (±40 mV).
- (5) TI recommends keeping V_{BAT} above 1.85 V. For lower voltages, use a boost converter.
- (6) The minimum voltage specified includes the ripple on the supply voltage and all other transient dips. The brownout condition is also 2.1 V, and care must be taken when operating at the minimum specified voltage.

8.5 Current Consumption Summary (CC3220R, CC3220S)

T_A = 25°C, V_{BAT} = 3.6 V

| PARAMETER | TEST CONDITIONS ^{(1) (5)} | | MIN | TYP | MAX | UNIT |
|-----------------------------------|------------------------------------|-----------------------------------|--------------------|--------------------|-----|------|
| MCU ACTIVE | NWP ACTIVE | TX | 1 DSSS | TX power level = 0 | 272 | mA |
| | | | TX power level = 4 | 190 | | |
| | | 6 OFDM | TX power level = 0 | 248 | | |
| | | | TX power level = 4 | 182 | | |
| | | 54 OFDM | TX power level = 0 | 223 | | |
| | | | TX power level = 4 | 160 | | |
| | RX | 1 DSSS | 59 | | | |
| | | 54 OFDM | 59 | | | |
| NWP idle connected ⁽³⁾ | | | 15.3 | | | |
| MCU SLEEP | NWP ACTIVE | TX | 1 DSSS | TX power level = 0 | 269 | mA |
| | | | TX power level = 4 | 187 | | |
| | | 6 OFDM | TX power level = 0 | 245 | | |
| | | | TX power level = 4 | 179 | | |
| | | 54 OFDM | TX power level = 0 | 220 | | |
| | | | TX power level = 4 | 157 | | |
| | RX | 1 DSSS | 56 | | | |
| | | 54 OFDM | 56 | | | |
| NWP idle connected ⁽³⁾ | | | 12.2 | | | |
| MCU LPDS | NWP ACTIVE | TX | 1 DSSS | TX power level = 0 | 266 | mA |
| | | | TX power level = 4 | 184 | | |
| | | 6 OFDM | TX power level = 0 | 242 | | |
| | | | TX power level = 4 | 176 | | |
| | | 54 OFDM | TX power level = 0 | 217 | | |
| | | | TX power level = 4 | 154 | | |
| | RX | 1 DSSS | 53 | | | |
| | | 54 OFDM | 53 | | | |
| NWP LPDS ⁽²⁾ | | 120 µA at 64KB 135 µA at 256KB | 135 | µA | | |
| NWP idle connected ⁽³⁾ | | | 710 | µA | | |

$T_A = 25^\circ\text{C}$, $V_{\text{BAT}} = 3.6\text{ V}$

| PARAMETER | | TEST CONDITIONS ^{(1) (5)} | | MIN | TYP | MAX | UNIT |
|---|---------------|------------------------------------|--|-----|-----|-----|---------------|
| MCU SHUTDOWN | MCU shutdown | | | | 1 | | μA |
| MCU HIBERNATE | MCU hibernate | | | | 4.5 | | μA |
| Peak calibration current ⁽⁴⁾ | | $V_{\text{BAT}} = 3.6\text{ V}$ | | | 420 | | mA |
| | | $V_{\text{BAT}} = 3.3\text{ V}$ | | | 450 | | |
| | | $V_{\text{BAT}} = 2.1\text{ V}$ | | | 670 | | |
| | | $V_{\text{BAT}} = 1.85\text{ V}$ | | | 700 | | |

- (1) TX power level = 0 implies maximum power (see [Figure 8-1](#), [Figure 8-2](#), and [Figure 8-3](#)). TX power level = 4 implies output power backed off approximately 4 dB.
- (2) LPDS current does not include the external serial Flash. The LPDS number of reported is with retention of 256KB of MCU SRAM. The CC3220x device can be configured to retain 0KB, 64KB, 128KB, 192KB, or 256KB of SRAM in LPDS. Each 64-KB block of MCU retained SRAM increases LPDS current by 4 μA .
- (3) DTIM = 1
- (4) The complete calibration can take up to 17 mJ of energy from the battery over a time of 24 ms. In default mode, calibration is performed sparingly, and typically occurs when re-enabling the NWP and when the temperature has changed by more than 20°C. There are two additional calibration modes that may be used to reduced or completely eliminate the calibration event. For further details, see [CC3120](#), [CC3220 SimpleLink™ Wi-Fi® and IoT Network Processor Programmer's Guide](#).
- (5) The CC3220x system is a constant power-source system. The active current numbers scale based on the V_{BAT} voltage supplied.

8.6 Current Consumption Summary (CC3220SF)

 $T_A = 25^\circ\text{C}$, $V_{BAT} = 3.6\text{ V}$

| PARAMETER | | TEST CONDITIONS ^{(1) (5)} | | MIN | TYP | MAX | UNIT |
|---|---------------------------|---|------------------------------|------------------------------|------|---------------|------|
| MCU ACTIVE | NWP ACTIVE | TX | 1 DSSS | TX power level = maximum | | 286 | mA |
| | | | | TX power level = maximum – 4 | | 202 | |
| | | | 6 OFDM | TX power level = maximum | | 255 | |
| | | | | TX power level = maximum – 4 | | 192 | |
| | | 54 OFDM | TX power level = maximum | | 232 | | |
| | | | TX power level = maximum – 4 | | 174 | | |
| | | RX | 1 DSSS | | 74 | | |
| 54 OFDM | | | 74 | | | | |
| NWP idle connected ⁽³⁾ | | | | | 25.2 | | |
| MCU SLEEP | NWP ACTIVE | TX | 1 DSSS | TX power level = maximum | | 282 | mA |
| | | | | TX power level = maximum – 4 | | 198 | |
| | | | 6 OFDM | TX power level = maximum | | 251 | |
| | | | | TX power level = maximum – 4 | | 188 | |
| | | 54 OFDM | TX power level = maximum | | 228 | | |
| | | | TX power level = maximum – 4 | | 170 | | |
| | | RX | 1 DSSS | | 70 | | |
| 54 OFDM | | | 70 | | | | |
| NWP idle connected ⁽³⁾ | | | | | 21.2 | | |
| MCU LPDS | NWP active | TX | 1 DSSS | TX power level = 0 | | 266 | mA |
| | | | | TX power level = 4 | | 184 | |
| | | | 6 OFDM | TX power level = 0 | | 242 | |
| | | | | TX power level = 4 | | 176 | |
| | | 54 OFDM | TX power level = 0 | | 217 | | |
| | | | TX power level = 4 | | 154 | | |
| | | RX | 1 DSSS | | 53 | | |
| 54 OFDM | | | 53 | | | | |
| NWP LPDS ⁽²⁾ | | 120 μA at 64KB 135 μA at 256KB | | | 135 | μA | |
| NWP idle connected ⁽³⁾ | | | | | 710 | | |
| MCU SHUTDOWN | MCU shutdown | | | | 1 | | |
| MCU HIBERNATE | MCU hibernate | | | | 4.5 | | |
| Peak calibration current ⁽⁴⁾ | $V_{BAT} = 3.6\text{ V}$ | | | | 420 | mA | |
| | $V_{BAT} = 3.3\text{ V}$ | | | | 450 | | |
| | $V_{BAT} = 2.1\text{ V}$ | | | | 670 | | |
| | $V_{BAT} = 1.85\text{ V}$ | | | | 700 | | |

- (1) TX power level = 0 implies maximum power (see [Figure 8-1](#), [Figure 8-2](#), and [Figure 8-3](#)). TX power level = 4 implies output power backed off approximately 4 dB.
- (2) LPDS current does not include the external serial flash. The LPDS number of reported is with retention of 256KB of MCU SRAM. The CC3220x device can be configured to retain 0KB, 64KB, 128KB, 192KB, or 256KB of SRAM in LPDS. Each 64-KB block of MCU retained SRAM increases LPDS current by 4 μA .
- (3) DTIM = 1
- (4) The complete calibration can take up to 17 mJ of energy from the battery over a period of 24 ms. Calibration is performed sparingly, typically when coming out of HIBERNATE and only if temperature has changed by more than 20°C. The calibration event can be controlled by a configuration file in the serial Flash..

8.7 TX Power and IBAT versus TX Power Level Settings

Figure 8-1, Figure 8-2, and Figure 8-3 show TX Power and IBAT versus TX power level settings for the CC3220R and CC3220S devices at modulations of 1 DSSS, 6 OFDM, and 54 OFDM, respectively. For the CC3220SF device, the IBAT current has an increase of approximately 10 mA to 15 mA depending on the transmitted rate. The TX power level will remain the same.

In Figure 8-1, the area enclosed in the circle represents a significant reduction in current during transition from TX power level 3 to level 4. In the case of lower range requirements (14-dBm output power), TI recommends using TX power level 4 to reduce the current.

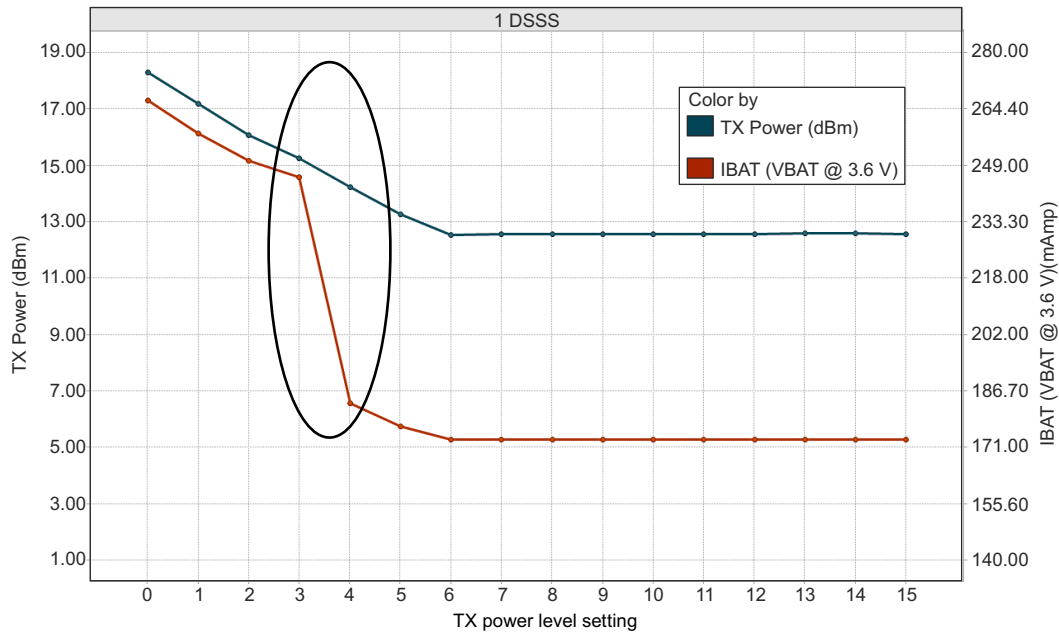


Figure 8-1. TX Power and IBAT vs TX Power Level Settings (1 DSSS)

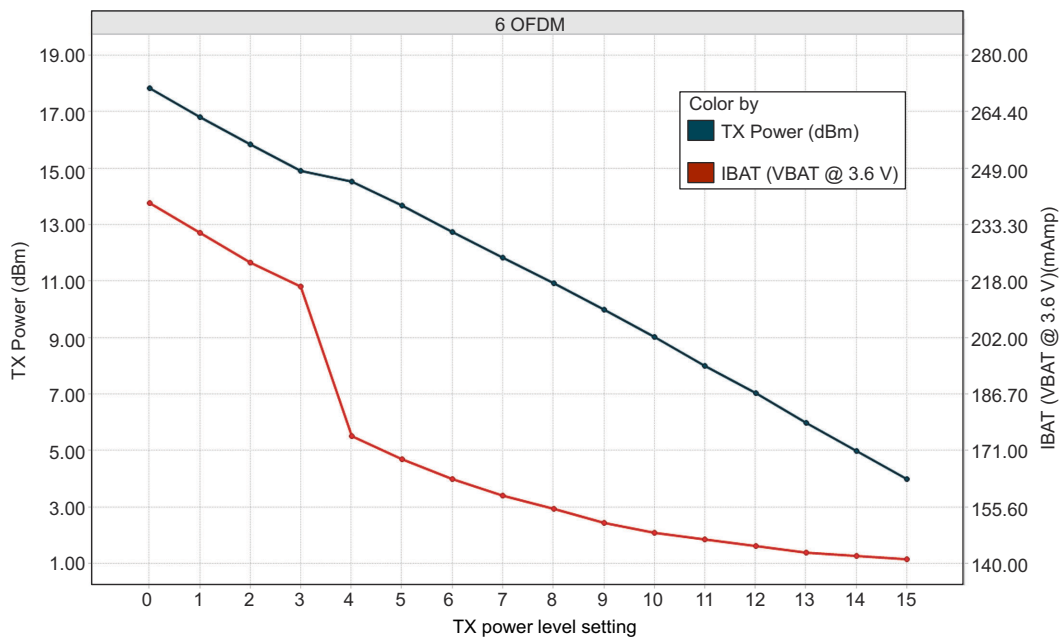


Figure 8-2. TX Power and IBAT vs TX Power Level Settings (6 OFDM)

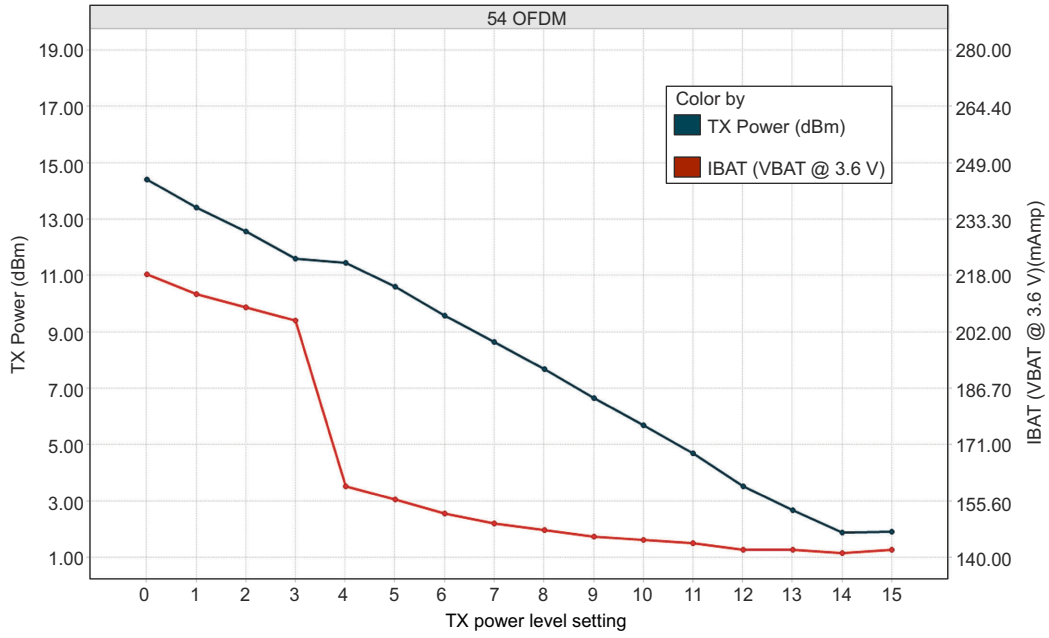


Figure 8-3. TX Power and IBAT vs TX Power Level Settings (54 OFDM)

8.8 Brownout and Blackout Conditions

The device enters a brownout condition when the input voltage drops below V_{brownout} (see Figure 8-4 and Figure 8-5). This condition must be considered during design of the power supply routing, especially when operating from a battery. High-current operations, such as a TX packet or any external activity (not necessarily related directly to networking) can cause a drop in the supply voltage, potentially triggering a brownout condition. The resistance includes the internal resistance of the battery, the contact resistance of the battery holder (four contacts for 2x AA batteries), and the wiring and PCB routing resistance.

Note

When the device is in HIBERNATE state, brownout is not detected. Only blackout is in effect during HIBERNATE state.

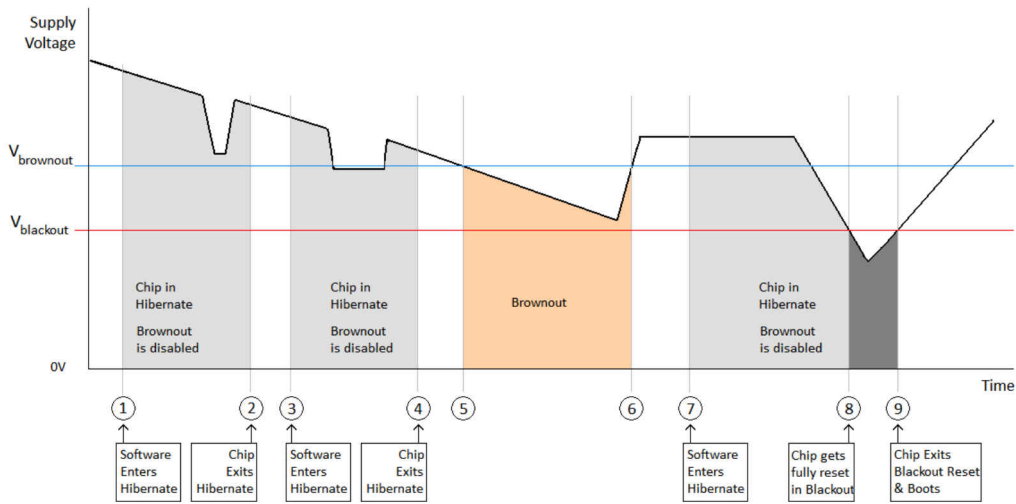


Figure 8-4. Brownout and Blackout Levels (1 of 2)

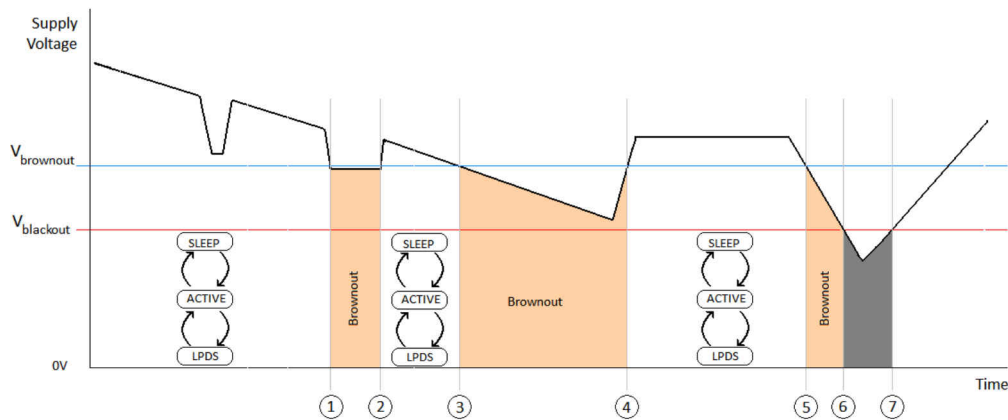


Figure 8-5. Brownout and Blackout Levels (2 of 2)

In the brownout condition, all sections of the device (including the 32-kHz RTC) shut down except for the Hibernate module, which remains on. The current in this state can reach approximately 400 μ A. The blackout condition is equivalent to a hardware reset event in which all states within the device are lost.

Table 8-1 lists the brownout and blackout voltage levels.

Table 8-1. Brownout and Blackout Voltage Levels

| CONDITION | VOLTAGE LEVEL | UNIT |
|-----------------------|---------------|------|
| V _{brownout} | 2.1 | V |
| V _{blackout} | 1.67 | V |

8.9 Electrical Characteristics (3.3 V, 25°C)

| GPIO Pins Except 29, 30, 50, 52, and 53 (25°C) ⁽¹⁾ | | | | | | |
|---|---------------------------|--|------------------------|-----|-------------------------|------|
| PARAMETER | | TEST CONDITIONS | MIN | NOM | MAX | UNIT |
| C _{IN} | Pin capacitance | | | 4 | | pF |
| V _{IH} | High-level input voltage | | 0.65 × V _{DD} | | V _{DD} + 0.5 V | V |
| V _{IL} | Low-level input voltage | | -0.5 | | 0.35 × V _{DD} | V |
| I _{IH} | High-level input current | | | 5 | | nA |
| I _{IL} | Low-level input current | | | 5 | | nA |
| V _{OH} | High-level output voltage | IL = 2 mA; configured I/O drive strength = 2 mA; 2.4 V ≤ V _{DD} < 3.6 V | | | V _{DD} × 0.8 | V |
| | | IL = 4 mA; configured I/O drive strength = 4 mA; 2.4 V ≤ V _{DD} < 3.6 V | | | V _{DD} × 0.7 | |
| | | IL = 6 mA; configured I/O drive strength = 6 mA; 2.4 V ≤ V _{DD} < 3.6 V | | | V _{DD} × 0.7 | |
| | | IL = 2 mA; configured I/O drive strength = 2 mA; 2.1 V ≤ V _{DD} < 2.4 V | | | V _{DD} × 0.75 | |
| | | IL = 2 mA; configured I/O drive strength = 2 mA; V _{DD} = 1.85 V | | | V _{DD} × 0.7 | |
| V _{OL} | Low-level output voltage | IL = 2 mA; configured I/O drive strength = 2 mA; 2.4 V ≤ V _{DD} < 3.6 V | V _{DD} × 0.2 | | | V |
| | | IL = 4 mA; configured I/O drive strength = 4 mA; 2.4 V ≤ V _{DD} < 3.6 V | V _{DD} × 0.2 | | | |
| | | IL = 6 mA; configured I/O drive strength = 6 mA; 2.4 V ≤ V _{DD} < 3.6 V | V _{DD} × 0.2 | | | |
| | | IL = 2 mA; configured I/O drive strength = 2 mA; 2.1 V ≤ V _{DD} < 2.4 V | V _{DD} × 0.25 | | | |
| | | IL = 2 mA; configured I/O drive strength = 2 mA; V _{DD} = 1.85 V | V _{DD} × 0.35 | | | |
| I _{OH} | High-level source current | 2-mA drive | | 2 | | mA |
| | | 4-mA drive | | 4 | | |
| | | 6-mA drive | | 6 | | |
| I _{OL} | Low-level sink current | 2-mA drive | | 2 | | mA |
| | | 4-mA drive | | 4 | | |
| | | 6-mA drive | | 6 | | |

| GPIO Pins Except 29, 30, 50, 52, and 53 (25°C) ⁽¹⁾ | | | | | | |
|---|---|--|------------------------|------------------------|-------------------------|------|
| PARAMETER | | TEST CONDITIONS | MIN | NOM | MAX | UNIT |
| GPIO Pins 29, 30, 50, 52, and 53 (25°C) ⁽¹⁾ | | | | | | |
| C _{IN} | Pin capacitance | | | 7 | | pF |
| V _{IH} | High-level input voltage | | 0.65 × V _{DD} | | V _{DD} + 0.5 V | V |
| V _{IL} | Low-level input voltage | | −0.5 | | 0.35 × V _{DD} | V |
| I _{IH} | High-level input current | | | 50 | | nA |
| I _{IL} | Low-level input current | | | 50 | | nA |
| V _{OH} | High-level output voltage | IL = 2 mA; configured I/O drive strength = 2 mA; 2.4 V ≤ V _{DD} < 3.6 V | | | V _{DD} × 0.8 | V |
| | | IL = 4 mA; configured I/O drive strength = 4 mA; 2.4 V ≤ V _{DD} < 3.6 V | | | V _{DD} × 0.7 | |
| | | IL = 6 mA; configured I/O drive strength = 6 mA; 2.4 V ≤ V _{DD} < 3.6 V | | | V _{DD} × 0.7 | |
| | | IL = 2 mA; configured I/O drive strength = 2 mA; 2.1 V ≤ V _{DD} < 2.4 V | | | V _{DD} × 0.75 | |
| | | IL = 2 mA; configured I/O drive strength = 2 mA; V _{DD} = 1.85 V | | | V _{DD} × 0.7 | |
| V _{OL} | Low-level output voltage | IL = 2 mA; configured I/O drive strength = 2 mA; 2.4 V ≤ V _{DD} < 3.6 V | | V _{DD} × 0.2 | | V |
| | | IL = 4 mA; configured I/O drive strength = 4 mA; 2.4 V ≤ V _{DD} < 3.6 V | | V _{DD} × 0.2 | | |
| | | IL = 6 mA; configured I/O drive strength = 6 mA; 2.4 V ≤ V _{DD} < 3.6 V | | V _{DD} × 0.2 | | |
| | | IL = 2 mA; configured I/O drive strength = 2 mA; 2.1 V ≤ V _{DD} < 2.4 V | | V _{DD} × 0.25 | | |
| | | IL = 2 mA; configured I/O drive strength = 2 mA; V _{DD} = 1.85 V | | V _{DD} × 0.35 | | |
| I _{OH} | High-level source current, V _{OH} = 2.4 | 2-mA drive | | 1.5 | | mA |
| | | 4-mA drive | | 2.5 | | |
| | | 6-mA drive | | 3.5 | | |
| I _{OL} | Low-level sink current | 2-mA drive | | 1.5 | | mA |
| | | 4-mA drive | | 2.5 | | |
| | | 6-mA drive | | 3.5 | | |
| V _{IL} | nRESET ⁽²⁾ | | | 0.6 | | V |
| Pin Internal Pullup and Pulldown (25°C) ⁽¹⁾ | | | | | | |
| I _{OH} | Pullup current, V _{OH} = 2.4 (V _{DD} = 3.0 V) | | 5 | | 10 | μA |
| I _{OL} | Pulldown current, V _{OL} = 0.4 (V _{DD} = 3.0 V) | | 5 | | | μA |

- (1) TI recommends using the lowest possible drive strength that is adequate for the applications. This recommendation minimizes the risk of interference to the WLAN radio and reduces any potential degradation of RF sensitivity and performance. The default drive strength setting is 6 mA.
- (2) The nRESET pin must be held below 0.6 V for the device to register a reset.

8.10 WLAN Receiver Characteristics

T_A = 25°C, V_{BAT} = 2.1 V to 3.6 V. Parameters are measured at the SoC pin on channel 6 (2437 MHz).

| PARAMETER | TEST CONDITIONS (Mbps) | MIN | TYP ⁽¹⁾ | MAX | UNIT |
|---|--------------------------|-------|--------------------|-----|------|
| Sensitivity (8% PER for 11b rates, 10% PER for 11g/11n rates) (10% PER) ⁽³⁾ | 1 DSSS | | -96.0 | | dBm |
| | 2 DSSS | | -94.0 | | |
| | 11 CCK | | -88.0 | | |
| | 6 OFDM | | -90.5 | | |
| | 9 OFDM | | -90.0 | | |
| | 18 OFDM | | -86.5 | | |
| | 36 OFDM | | -80.5 | | |
| | 54 OFDM | | -74.5 | | |
| | MCS7 (GF) ⁽²⁾ | | -71.5 | | |
| MCS7 (MM) ⁽²⁾ | | -70.5 | | | |
| Maximum input level (10% PER) | 802.11b | | -4.0 | | dBm |
| | 802.11g | | -10.0 | | |

- (1) In preregulated 1.85-V mode, RX sensitivity is 0.25- to 1-dB lower.
 (2) Sensitivity for mixed mode is 1-dB worse.
 (3) Sensitivity is 1-dB worse on channel 13 (2472 MHz).

8.11 WLAN Transmitter Characteristics

T_A = 25°C, V_{BAT} = 2.1 V to 3.6 V. Parameters measured at SoC pin on channel 6 (2437 MHz).^{(1) (2) (3)}

| PARAMETER | TEST CONDITIONS ⁽³⁾ | MIN | TYP | MAX | UNIT |
|--|--------------------------------|------|------|-----|------|
| Maximum RMS output power measured at 1 dB from IEEE spectral mask or EVM | 1 DSSS | | 18.0 | | dBm |
| | 2 DSSS | | 18.0 | | |
| | 11 CCK | | 18.3 | | |
| | 6 OFDM | | 17.3 | | |
| | 9 OFDM | | 17.3 | | |
| | 18 OFDM | | 17.0 | | |
| | 36 OFDM | | 16.0 | | |
| | 54 OFDM | | 14.5 | | |
| MCS7 (MM) | | 13.0 | | | |
| Transmit center frequency accuracy | | -25 | | 25 | ppm |

- (1) The edge channels (2412 and 2472 MHz) have reduced TX power to meet FCC emission limits.
 (2) Power of 802.11b rates are reduced to meet ETSI requirements.
 (3) In preregulated 1.85-V mode, maximum TX power is 0.25- to 0.75-dB lower for modulations higher than 18 OFDM.

8.12 WLAN Filter Requirements

The device requires an external band-pass filter to meet the various emission standards, including FCC. [Section 8.12.1](#) presents the attenuation requirements for the band-pass filter. TI recommends using the same filter used in the reference design to ease the process of certification.

8.12.1 WLAN Filter Requirements

| PARAMETER | FREQUENCY (MHz) | MIN | TYP | MAX | UNIT |
|-------------------------------|-----------------|-----|-----|-----|----------|
| Return loss | 2412 to 2484 | 10 | | | dB |
| Insertion loss ⁽¹⁾ | 2412 to 2484 | | 1 | 1.5 | dB |
| Attenuation | 800 to 830 | 30 | 45 | | dB |
| | 1600 to 1670 | 20 | 25 | | |
| | 3200 to 3300 | 30 | 48 | | |
| | 4000 to 4150 | 45 | 50 | | |
| | 4800 to 5000 | 20 | 25 | | |
| | 5600 to 5800 | 20 | 25 | | |
| | 6400 to 6600 | 20 | 35 | | |
| | 7200 to 7500 | 35 | 45 | | |
| | 7500 to 10000 | 20 | 25 | | |
| Reference impedance | 2412 to 2484 | | 50 | | Ω |
| Filter type | Bandpass | | | | |

(1) Insertion loss directly impacts output power and sensitivity. At customer discretion, insertion loss can be relaxed to meet attenuation requirements.

8.13 Thermal Resistance Characteristics

8.13.1 Thermal Resistance Characteristics for RGK Package

| PARAMETER | AIR FLOW | | | |
|---------------|-------------|---------------|---------------|---------------|
| | 0 lfm (C/W) | 150 lfm (C/W) | 250 lfm (C/W) | 500 lfm (C/W) |
| θ_{ja} | 23 | 14.6 | 12.4 | 10.8 |
| Ψ_{jt} | 0.2 | 0.2 | 0.3 | 0.1 |
| Ψ_{jb} | 2.3 | 2.3 | 2.2 | 2.4 |
| θ_{jc} | 6.3 | | | |
| θ_{jb} | 2.4 | | | |

8.14 Timing and Switching Characteristics

8.14.1 Power Supply Sequencing

For proper operation of the CC3220x device, perform the recommended power-up sequencing as follows:

1. Tie V_{BAT} (pins 37, 39, 44) and V_{IO} (pins 54 and 10) together on the board.
2. Hold the RESET pin low while the supplies are ramping up. TI recommends using a simple RC circuit (100 K ||, 1 μ F, RC = 100 ms).
3. For an external RTC, ensure that the clock is stable before RESET is deasserted (high).

For timing diagrams, see [Section 8.14.3](#).

8.14.2 Device Reset

When a device restart is required, the user may issue a negative pulse to the nRESET pin. The user must follow one of the two alternatives to ensure the reset is properly applied:

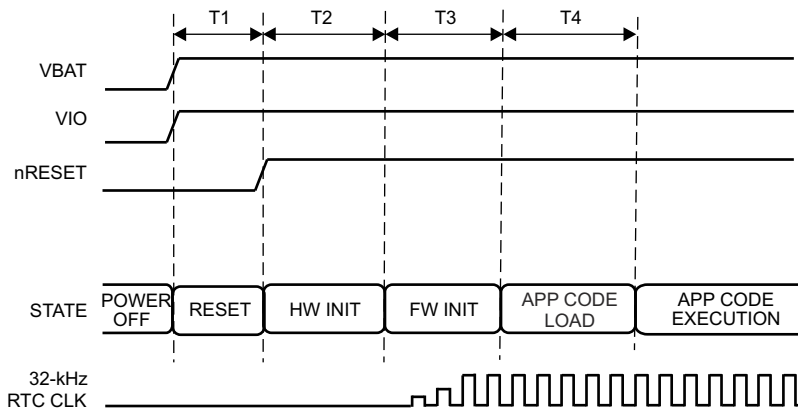
- A negative reset pulse (on pin 32) of at least 200-ms duration
- If the above cannot be guaranteed, a pull-down resistor of 2 MΩ should be connected to pin 52 (RTC_XTAL_N). If implemented, a shorter pulse of at least 100 μs can be used.

To ensure a proper reset sequence, the user has to call the sl_stop function prior to toggling the reset. It is preferable to use software reset instead of an external trigger when a reset is required.

8.14.3 Reset Timing

8.14.3.1 nRESET (32-kHz Crystal)

First-Time Power-Up and Reset Removal Timing Diagram (32-kHz Crystal) shows the reset timing diagram for the 32-kHz crystal first-time power-up and reset removal.



T1 should be ≥ 200 ms without a pulldown resistor on the XTAL_N pin or T1 should be ≥ 100 μs if there is 2-MΩ pulldown resistor on the XTAL_N pin.

Figure 8-6. First-Time Power-Up and Reset Removal Timing Diagram (32-kHz Crystal)

Section 8.14.3.2 describes the timing requirements for the 32-kHz clock crystal first-time power-up and reset removal.

8.14.3.2 First-Time Power-Up and Reset Removal Timing Requirements (32-kHz Crystal)

| ITEM | NAME | DESCRIPTION | MIN | TYP | MAX | UNIT |
|------|---|--|---------------------------|-----|-----|------|
| T1 | Supply settling time | Depends on application board power supply, decoupling capacitor, and so on | | 3 | | ms |
| T2 | Hardware wake-up time | | | 25 | | ms |
| T3 | Time taken by ROM firmware to initialize hardware | Includes 32.768-kHz XOSC settling time | | 1.1 | | s |
| T4 | App code load time for CC3220R and CC3220S | CC3220R | Image size (KB) × 0.75 ms | | | |
| | | CC3220S | Image size (KB) × 1.7 ms | | | |
| | App code integrity check time for CC3220SF | CC3220SF | Image size (KB) × 0.06 ms | | | |

8.14.3.3 nRESET (External 32-kHz)

Figure 8-7 shows the reset timing diagram for the external 32-kHz first-time power-up and reset removal.

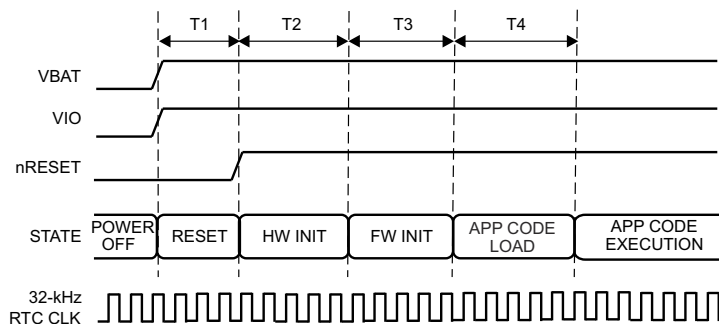


Figure 8-7. First-Time Power-Up and Reset Removal Timing Diagram (External 32-kHz)

Section 8.14.3.3.1 describes the timing requirements for the external 32-kHz clock first-time power-up and reset removal.

8.14.3.3.1 First-Time Power-Up and Reset Removal Timing Requirements (External 32-kHz)

| ITEM | NAME | DESCRIPTION | MIN | TYP | MAX | UNIT |
|------|---|--|-----|---------------------------|-----|------|
| T1 | Supply settling time | Depends on application board power supply, decoupling capacitor, and so on | | 3 | | ms |
| T2 | Hardware wake-up time | | | 25 | | ms |
| T3 | Time taken by ROM firmware to initialize hardware | CC3220R | | 5 | | ms |
| | | CC3220S | | 10.3 | | |
| | | CC3220SF | | 17.3 | | |
| T4 | App code load time for CC3220R and CC3220S | CC3220R | | Image size (KB) × 0.75 ms | | |
| | | CC3220S | | Image size (KB) × 1.7 ms | | |
| | App code integrity check time for CC3220SF | CC3220SF | | Image size (KB) × 0.06 ms | | |

8.14.4 Wakeup From HIBERNATE Mode

Figure 8-8 shows the timing diagram for wakeup from HIBERNATE mode.

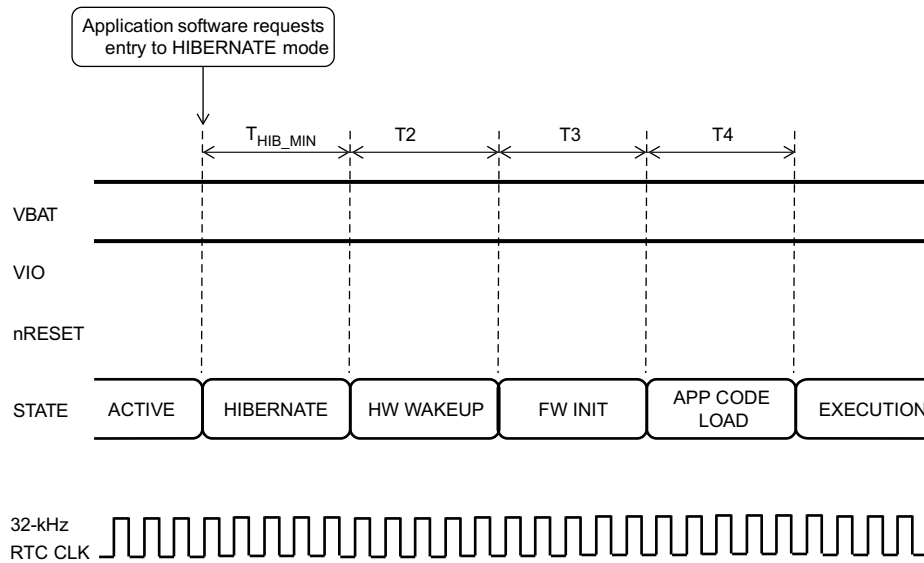


Figure 8-8. Wakeup From HIBERNATE Timing Diagram

Note

The 32.768-kHz crystal is kept enabled by default when the chip goes into HIBERNATE mode .

8.14.5 Clock Specifications

The CC3220x device requires two separate clocks for its operation:

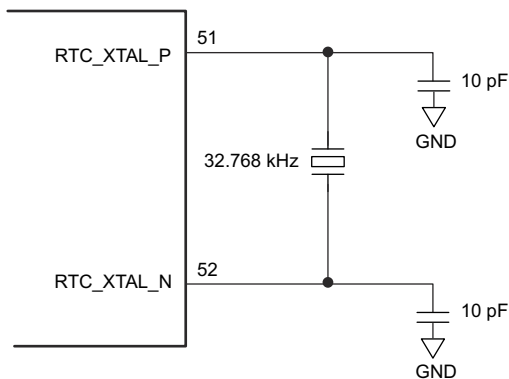
- A slow clock running at 32.768 kHz is used for the RTC.
- A fast clock running at 40 MHz is used by the device for the internal processor and the WLAN subsystem.

The device features internal oscillators that enable the use of less-expensive crystals rather than dedicated TCXOs for these clocks. The RTC can also be fed externally to provide reuse of an existing clock on the system and to reduce overall cost.

8.14.5.1 Slow Clock Using Internal Oscillator

The RTC crystal connected on the device supplies the free-running slow clock. The accuracy of the slow clock frequency must be 32.768 kHz \pm 150 ppm. In this mode of operation, the crystal is tied between RTC_XTAL_P (pin 51) and RTC_XTAL_N (pin 52) with a suitable load capacitance to meet the ppm requirement.

Figure 8-9 shows the crystal connections for the slow clock.



Copyright © 2017, Texas Instruments Incorporated

Figure 8-9. RTC Crystal Connections

Section 8.14.5.1.1 lists the RTC crystal requirements.

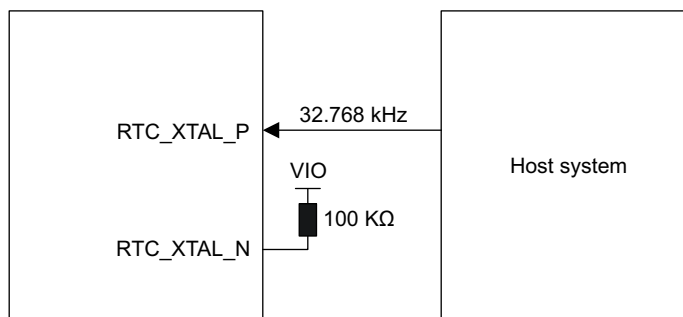
8.14.5.1.1 RTC Crystal Requirements

| CHARACTERISTICS | TEST CONDITIONS | MIN | TYP | MAX | UNIT |
|--------------------|-------------------------------------|-----|--------|------|------|
| Frequency | | | 32.768 | | kHz |
| Frequency accuracy | Initial plus temperature plus aging | | | ±150 | ppm |
| Crystal ESR | 32.768 kHz | | | 70 | kΩ |

8.14.5.2 Slow Clock Using an External Clock

When an RTC oscillator is present in the system, the CC3220x device can accept this clock directly as an input. The clock is fed on the RTC_XTAL_P line, and the RTC_XTAL_N line is held to V_{IO}. The clock must be a CMOS-level clock compatible with V_{IO} fed to the device.

Figure 8-10 shows the external RTC input connection.



Copyright © 2017, Texas Instruments Incorporated

Figure 8-10. External RTC Input

Section 8.14.5.2.1 lists the external RTC digital clock requirements.

8.14.5.2.1 External RTC Digital Clock Requirements

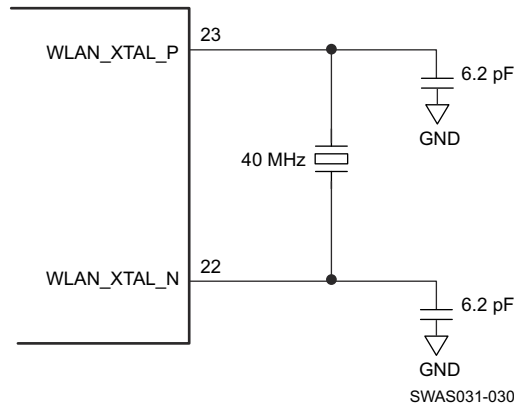
| CHARACTERISTICS | TEST CONDITIONS | MIN | TYP | MAX | UNIT |
|---|--|-----|-------|-----|------|
| Frequency | | | 32768 | | Hz |
| Frequency accuracy (Initial plus temperature plus aging) | | | ±150 | | ppm |
| t _r , t _f | Input transition time t _r , t _f (10% to 90%) | | | 100 | ns |

| CHARACTERISTICS | | TEST CONDITIONS | MIN | TYP | MAX | UNIT |
|----------------------------|---------------------------------|-------------------------|----------------------|----------------------|------------|------------|
| Frequency input duty cycle | | | 20% | 50% | 80% | |
| V_{ih} | Slow clock input voltage limits | Square wave, DC coupled | $0.65 \times V_{IO}$ | | V_{IO} | V |
| V_{il} | | | 0 | $0.35 \times V_{IO}$ | V_{peak} | |
| Input impedance | | | 1 | | | M Ω |
| | | | | | 5 | pF |

8.14.5.3 Fast Clock (F_{ref}) Using an External Crystal

The CC3220x device also incorporates an internal crystal oscillator to support a crystal-based fast clock. The crystal is fed directly between WLAN_XTAL_P (pin 23) and WLAN_XTAL_N (pin 22) with suitable loading capacitors.

Figure 8-11 shows the crystal connections for the fast clock.



- A. The crystal capacitance must be tuned to ensure that the PPM requirement is met. See [CC31xx & CC32xx Frequency Tuning](#) for information on frequency tuning.

Figure 8-11. Fast Clock Crystal Connections

Section 8.14.5.3.1 lists the WLAN fast-clock crystal requirements.

8.14.5.3.1 WLAN Fast-Clock Crystal Requirements

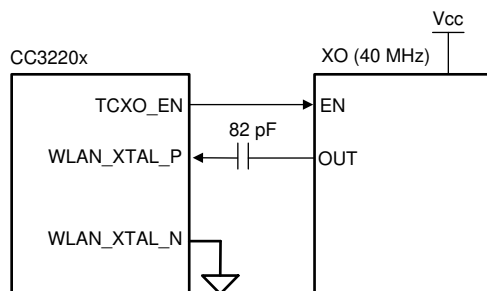
| CHARACTERISTICS | TEST CONDITIONS | MIN | TYP | MAX | UNIT |
|--------------------|-------------------------------------|----------|-----|-----|----------|
| Frequency | | 40 | | | MHz |
| Frequency accuracy | Initial plus temperature plus aging | ± 25 | | | ppm |
| Crystal ESR | 40 MHz | 60 | | | Ω |

8.14.5.4 Fast Clock (F_{ref}) Using an External Oscillator

The CC3220x device can accept an external TCXO/XO for the 40-MHz clock. In this mode of operation, the clock is connected to WLAN_XTAL_P (pin 23). WLAN_XTAL_N (pin 22) is connected to GND. The external TCXO/XO can be enabled by TCXO_EN (pin 21) from the device to optimize the power consumption of the system.

If the TCXO does not have an enable input, an external LDO with an enable function can be used. Using the LDO improves noise on the TCXO power supply.

Figure 8-12 shows the connection.



Copyright © 2017, Texas Instruments Incorporated

Figure 8-12. External TCXO Input

Section 8.14.5.4.1 lists the external F_{ref} clock requirements.

8.14.5.4.1 External F_{ref} Clock Requirements (–40°C to +85°C)

| CHARACTERISTICS | | TEST CONDITIONS | MIN | TYP | MAX | UNIT |
|--|----------------------|---------------------------------------|--------|-----|-----|----------|
| Frequency | | | 40.00 | | | MHz |
| Frequency accuracy (Initial plus temperature plus aging) | | | ±25 | | | ppm |
| Frequency input duty cycle | | | 45% | 50% | 55% | |
| V_{pp} | Clock voltage limits | Sine or clipped sine wave, AC coupled | 0.7 | | 1.2 | V_{pp} |
| Phase noise at 40 MHz | | at 1 kHz | –125 | | | dBc/Hz |
| | | at 10 kHz | –138.5 | | | |
| | | at 100 kHz | –143 | | | |
| Input impedance | Resistance | | 12 | | | kΩ |
| | Capacitance | | 7 | | | pF |

8.14.6 Peripherals Timing

This section describes the peripherals that are supported by the CC3220x device:

- SPI
- I2S
- GPIOs
- I²C
- IEEE 1149.1 JTAG
- ADC
- Camera parallel port
- UART
- SD Host
- Timers

8.14.6.1 SPI

8.14.6.1.1 SPI Master

The CC3220x microcontroller includes one SPI module, which can be configured as a master or slave device. The SPI includes a serial clock with programmable frequency, polarity, and phase; a programmable timing control between chip select and external clock generation; and a programmable delay before the first SPI word is transmitted. Slave mode does not include a dead cycle between two successive words.

Figure 8-13 shows the timing diagram for the SPI master.

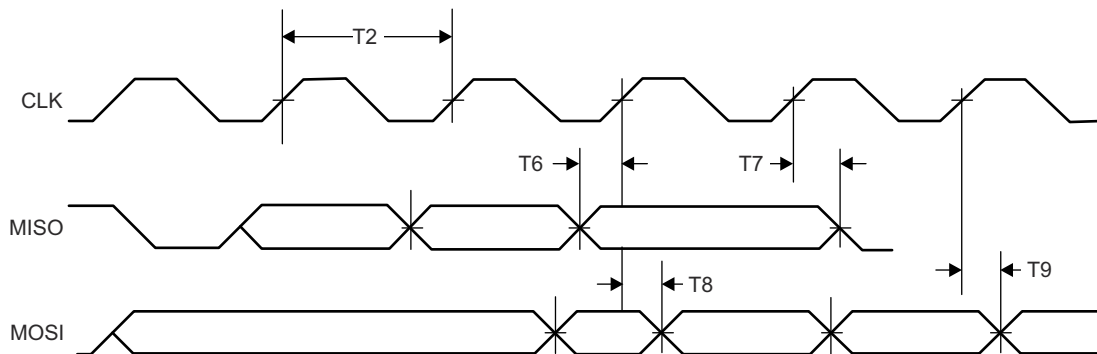


Figure 8-13. SPI Master Timing Diagram

Section 8.14.6.1.1.1 lists the timing parameters for the SPI master.

8.14.6.1.1.1 SPI Master Timing Parameters

| PARAMETER NUMBER | | | MIN | MAX | UNIT |
|------------------|---------------------------------|----------------------|-----|-----|------|
| | F ⁽¹⁾ | Clock frequency | | 20 | MHz |
| T2 | T _{clk} ⁽¹⁾ | Clock period | 50 | | ns |
| | D ⁽¹⁾ | Duty cycle | 45% | 55% | |
| T6 | t _{IS} ⁽¹⁾ | RX data setup time | 1 | | ns |
| T7 | t _{IH} ⁽¹⁾ | RX data hold time | 2 | | ns |
| T8 | t _{OD} ⁽¹⁾ | TX data output delay | | 8.5 | ns |
| T9 | t _{OH} ⁽¹⁾ | TX data hold time | | 8 | ns |

(1) Timing parameter assumes a maximum load of 20 pF.

8.14.6.1.2 SPI Slave

Figure 8-14 shows the timing diagram for the SPI slave.

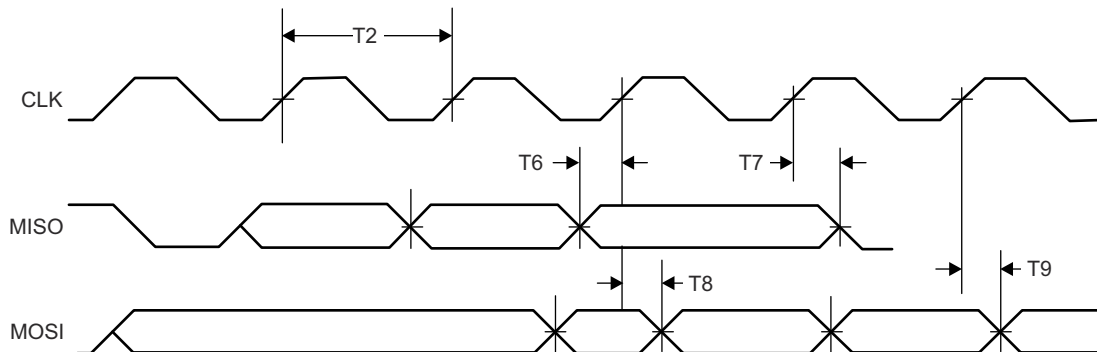


Figure 8-14. SPI Slave Timing Diagram

Section 8.14.6.1.2.1 lists the timing parameters for the SPI slave.

8.14.6.1.2.1 SPI Slave Timing Parameters

| PARAMETER NUMBER | | | MIN | MAX | UNIT |
|------------------|---------------------------------|---|-----|-----|------|
| | F ⁽¹⁾ | Clock frequency at V _{BAT} = 3.3 V | | 20 | MHz |
| | | Clock frequency at V _{BAT} ≤ 2.1 V | | 12 | |
| T2 | T _{clk} ⁽¹⁾ | Clock period | 50 | | ns |
| | D ⁽¹⁾ | Duty cycle | 45% | 55% | |
| T6 | t _{IS} ⁽¹⁾ | RX data setup time | 4 | | ns |
| T7 | t _{IH} ⁽¹⁾ | RX data hold time | 4 | | ns |
| T8 | t _{OD} ⁽¹⁾ | TX data output delay | | 20 | ns |
| T9 | t _{OH} ⁽¹⁾ | TX data hold time | | 24 | ns |

(1) Timing parameter assumes a maximum load of 20 pF at 3.3 V.

8.14.6.2 I2S

The McASP interface functions as a general-purpose audio serial port optimized for multichannel audio applications and supports transfer of two stereo channels over two data pins. The McASP consists of transmit and receive sections that operate synchronously and have programmable clock and frame-sync polarity. A fractional divider is available for bit-clock generation.

8.14.6.2.1 I2S Transmit Mode

Figure 8-15 shows the timing diagram for the I2S transmit mode.

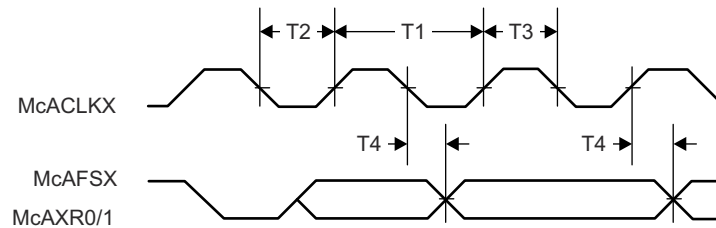


Figure 8-15. I2S Transmit Mode Timing Diagram

Section 8.14.6.2.1.1 lists the timing parameters for the I2S transmit mode.

8.14.6.2.1.1 I2S Transmit Mode Timing Parameters

| PARAMETER NUMBER | | | MIN | MAX | UNIT |
|------------------|-----------------|-------------------|-----|----------|------|
| T1 | $f_{clk}^{(1)}$ | Clock frequency | | 9.216 | MHz |
| T2 | $t_{LP}^{(1)}$ | Clock low period | | 1/2 fclk | ns |
| T3 | $t_{HT}^{(1)}$ | Clock high period | | 1/2 fclk | ns |
| T4 | $t_{OH}^{(1)}$ | TX data hold time | | 22 | ns |

(1) Timing parameter assumes a maximum load of 20 pF.

8.14.6.2.2 I2S Receive Mode

Figure 8-16 shows the timing diagram for the I2S receive mode.

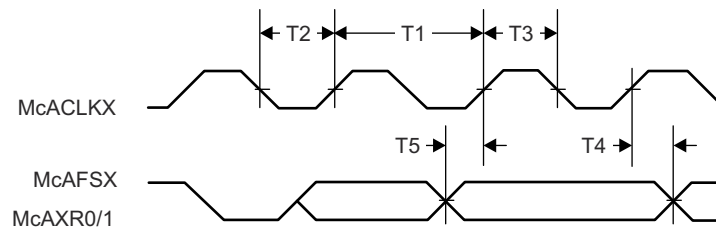


Figure 8-16. I2S Receive Mode Timing Diagram

Section 8.14.6.2.2.1 lists the timing parameters for the I2S receive mode.

8.14.6.2.2.1 I2S Receive Mode Timing Parameters

| PARAMETER NUMBER | | | MIN | MAX | UNIT |
|------------------|-----------------|--------------------|-----|---------------|------|
| T1 | $f_{clk}^{(1)}$ | Clock frequency | | 9.216 | MHz |
| T2 | $t_{LP}^{(1)}$ | Clock low period | | $1/2 f_{clk}$ | ns |
| T3 | $t_{HT}^{(1)}$ | Clock high period | | $1/2 f_{clk}$ | ns |
| T4 | $t_{OH}^{(1)}$ | RX data hold time | | 0 | ns |
| T5 | $t_{OS}^{(1)}$ | RX data setup time | | 15 | ns |

(1) Timing parameter assumes a maximum load of 20 pF.

8.14.6.3 GPIOs

All digital pins of the device can be used as general-purpose input/output (GPIO) pins. The GPIO module consists of four GPIO blocks, each of which provides eight GPIOs. The GPIO module supports 24 programmable GPIO pins, depending on the peripheral used. Each GPIO has configurable pullup and pulldown strength (weak 10 μ A), configurable drive strength (2, 4, and 6 mA), and open-drain enable.

Figure 8-17 shows the GPIO timing diagram.

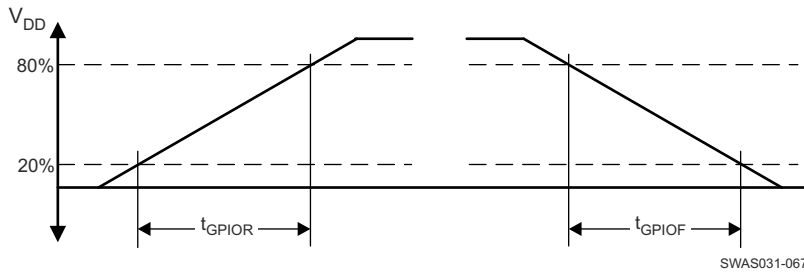


Figure 8-17. GPIO Timing Diagram

8.14.6.3.1 GPIO Output Transition Time Parameters ($V_{supply} = 3.3$ V)

Section 8.14.6.3.1.1 lists the GPIO output transition times for $V_{supply} = 3.3$ V.

8.14.6.3.1.1 GPIO Output Transition Times ($V_{supply} = 3.3$ V)^{(1) (2)}

| DRIVE STRENGTH (mA) | DRIVE STRENGTH CONTROL BITS | t_r | | | t_f | | | UNIT |
|---------------------|-----------------------------|-------|-----|------|-------|-----|------|------|
| | | MIN | NOM | MAX | MIN | NOM | MAX | |
| 2 | 2MA_EN=1 | 8.0 | 9.3 | 10.7 | 8.2 | 9.5 | 11.0 | ns |
| | 4MA_EN=0 | | | | | | | |
| 4 | 2MA_EN=0 | 6.6 | 7.1 | 7.6 | 4.7 | 5.2 | 5.8 | ns |
| | 4MA_EN=1 | | | | | | | |
| 6 | 2MA_EN=1 | 3.2 | 3.5 | 3.7 | 2.3 | 2.6 | 2.9 | ns |
| | 4MA_EN=1 | | | | | | | |

(1) $V_{supply} = 3.3$ V, T = 25°C, total pin load = 30 pF

(2) The transition data applies to the pins except the multiplexed analog-digital pins 29, 30, 45, 50, 52, and 53.

8.14.6.3.2 GPIO Output Transition Time Parameters ($V_{\text{supply}} = 1.85 \text{ V}$)

Section 8.14.6.3.2.1 lists the GPIO output transition times for $V_{\text{supply}} = 1.8 \text{ V}$.

8.14.6.3.2.1 GPIO Output Transition Times ($V_{\text{supply}} = 1.85 \text{ V}$)^{(1) (2)}

| DRIVE STRENGTH (mA) | DRIVE STRENGTH CONTROL BITS | t_r | | | t_f | | | UNIT |
|---------------------|-----------------------------|-------|------|------|-------|------|------|------|
| | | MIN | NOM | MAX | MIN | NOM | MAX | |
| 2 | 2MA_EN=1 | 11.7 | 13.9 | 16.3 | 11.5 | 13.9 | 16.7 | ns |
| | 4MA_EN=0 | | | | | | | |
| 4 | 2MA_EN=0 | 13.7 | 15.6 | 18.0 | 9.9 | 11.6 | 13.6 | ns |
| | 4MA_EN=1 | | | | | | | |
| 6 | 2MA_EN=1 | 5.5 | 6.4 | 7.4 | 3.8 | 4.7 | 5.8 | ns |
| | 4MA_EN=1 | | | | | | | |

(1) $V_{\text{supply}} = 1.8 \text{ V}$, $T = 25^\circ\text{C}$, total pin load = 30 pF

(2) The transition data applies to the pins other than the multiplexed analog-digital pins 29, 30, 45, 50, 52, and 53.

8.14.6.3.3 GPIO Input Transition Time Parameters

Section 8.14.6.3.3.1 lists the input transition time parameters.

8.14.6.3.3.1 GPIO Input Transition Time Parameters'

| | | MIN | MAX | UNIT |
|-------|---|-----|-----|------|
| t_r | Input transition time (t_r , t_f), 10% to 90% | 1 | 3 | ns |
| t_f | | 1 | 3 | ns |

8.14.6.4 I²C

The CC3220x microcontroller includes one I²C module operating with standard (100 kbps) or fast (400 kbps) transmission speeds.

Figure 8-18 shows the I²C timing diagram.

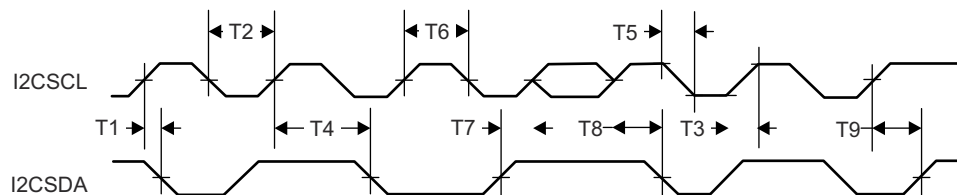


Figure 8-18. I²C Timing Diagram

Section 8.14.6.4.1 lists the I²C timing parameters.

8.14.6.4.1 I²C Timing Parameters⁽³⁾

| PARAMETER NUMBER | | | MIN | MAX | UNIT |
|------------------|-------------------|----------------------------|--------------------|---------|--------------|
| T2 | t _{LP} | Clock low period | See (1) | | System clock |
| T3 | t _{SRT} | SCL/SDA rise time | | See (2) | ns |
| T4 | t _{DH} | Data hold time | NA | | |
| T5 | t _{SFT} | SCL/SDA fall time | 3 | | ns |
| T6 | t _{HT} | Clock high time | See (1) | | System clock |
| T7 | t _{DS} | Data setup time | t _{LP} /2 | | System clock |
| T8 | t _{SCSR} | Start condition setup time | 36 | | System clock |
| T9 | t _{SCS} | Stop condition setup time | 24 | | System clock |

- (1) This value depends on the value programmed in the clock period register of I²C. Maximum output frequency is the result of the minimal value programmed in this register.
- (2) Because I²C is an open-drain interface, the controller can drive logic 0 only. Logic 1 is the result of external pullup. Rise time depends on the value of the external signal capacitance and external pullup register.
- (3) All timing is with 6-mA drive and 20-pF load.

8.14.6.5 IEEE 1149.1 JTAG

The Joint Test Action Group (JTAG) port is an IEEE standard that defines a test access port (TAP) and boundary scan architecture for digital integrated circuits and provides a standardized serial interface to control the associated test logic. For detailed information on the operation of the JTAG port and TAP controller, see the IEEE Standard 1149.1, *Test Access Port and Boundary-Scan Architecture*.

Figure 8-19 shows the JTAG timing diagram.

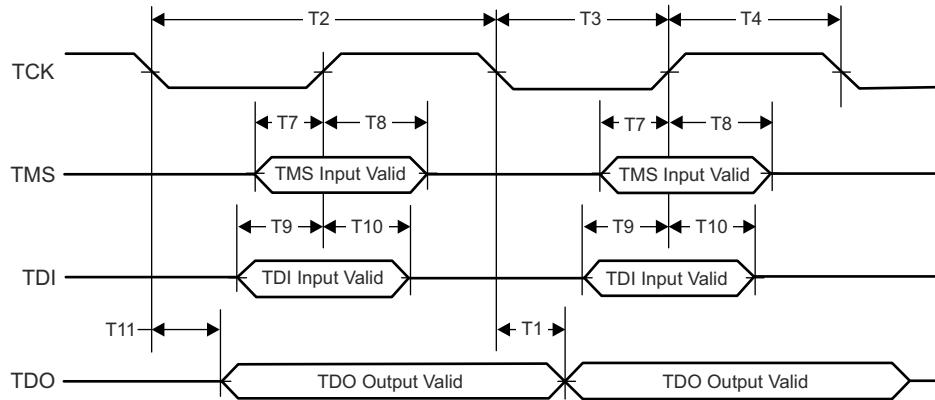


Figure 8-19. JTAG Timing Diagram

Section 8.14.6.5.1 lists the JTAG timing parameters.

8.14.6.5.1 JTAG Timing Parameters

| PARAMETER NUMBER | | | MIN | MAX | UNIT |
|------------------|---------------|-------------------|-----|---------------|------|
| T1 | f_{TCK} | Clock frequency | | 15 | MHz |
| T2 | t_{TCK} | Clock period | | $1 / f_{TCK}$ | ns |
| T3 | t_{CL} | Clock low period | | $t_{TCK} / 2$ | ns |
| T4 | t_{CH} | Clock high period | | $t_{TCK} / 2$ | ns |
| T7 | t_{TMS_SU} | TMS setup time | 1 | | ns |
| T8 | t_{TMS_HO} | TMS hold time | 16 | | ns |
| T9 | t_{TDI_SU} | TDI setup time | 1 | | ns |
| T10 | t_{TDI_HO} | TDI hold time | 16 | | ns |
| T11 | t_{TDO_HO} | TDO hold time | | 15 | ns |

8.14.6.6 ADC

Figure 8-20 shows the ADC clock timing diagram.

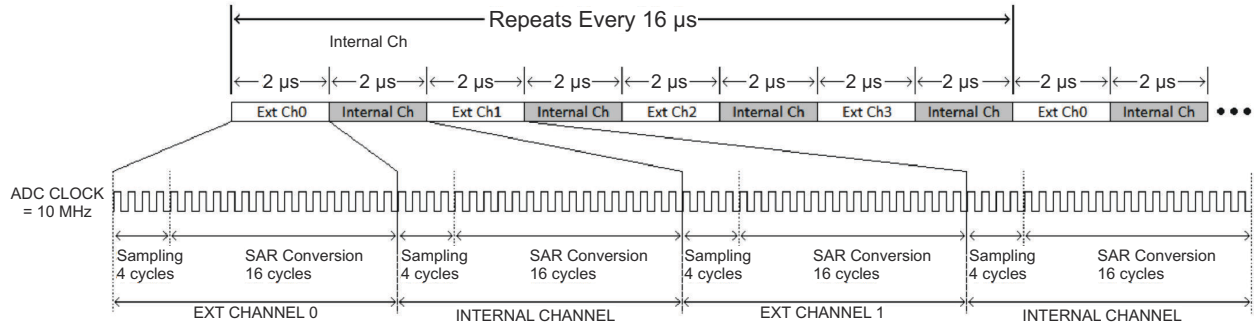


Figure 8-20. ADC Clock Timing Diagram

Section 8.14.6.6.1 lists the ADC electrical specifications. See [CC32xx ADC Appnote](#) for further information on using the ADC and for application-specific examples.

8.14.6.6.1 ADC Electrical Specifications

| PARAMETER | DESCRIPTION | TEST CONDITIONS AND ASSUMPTIONS | MIN | TYP | MAX | UNIT |
|--------------------------|---|--|------|------|-----|------|
| Nbits | Number of bits | | | 12 | | Bits |
| INL | Integral nonlinearity | Worst-case deviation from histogram method over full scale (not including first and last three LSB levels) | -2.5 | | 2.5 | LSB |
| DNL | Differential nonlinearity | Worst-case deviation of any step from ideal | -1 | | 4 | LSB |
| Input range | | | 0 | | 1.4 | V |
| Driving source impedance | | | | | 100 | Ω |
| FCLK | Clock rate | Successive approximation input clock rate | | 10 | | MHz |
| Input capacitance | | | | 12 | | pF |
| Input impedance | | ADC Pin 57 | | 2.15 | | kΩ |
| | | ADC Pin 58 | | 0.7 | | |
| | | ADC Pin 59 | | 2.12 | | |
| | | ADC Pin 60 | | 1.17 | | |
| Number of channels | | | 4 | | | |
| F _{sample} | Sampling rate of each pin | | | 62.5 | | KSPS |
| F _{input_max} | Maximum input signal frequency | | | | 31 | kHz |
| SINAD | Signal-to-noise and distortion | Input frequency DC to 300 Hz and 1.4 V _{pp} sine wave input | 55 | 60 | | dB |
| I _{active} | Active supply current | Average for analog-to-digital during conversion without reference current | | 1.5 | | mA |
| I _{PD} | Power-down supply current for core supply | Total for analog-to-digital when not active (this must be the SoC level test) | | 1 | | μA |
| Absolute offset error | | FCLK = 10 MHz | | ±2 | | mV |
| Gain error | | | | ±2% | | |

| PARAMETER | DESCRIPTION | TEST CONDITIONS AND ASSUMPTIONS | MIN | TYP | MAX | UNIT |
|------------------|-----------------------|---------------------------------|-----|-------|-----|------|
| V _{ref} | ADC reference voltage | | | 1.467 | | V |

8.14.6.7 Camera Parallel Port

The fast camera parallel port interfaces with a variety of external image sensors, stores the image data in a FIFO, and generates DMA requests. The camera parallel port supports 8 bits.

Figure 8-21 shows the timing diagram for the camera parallel port.

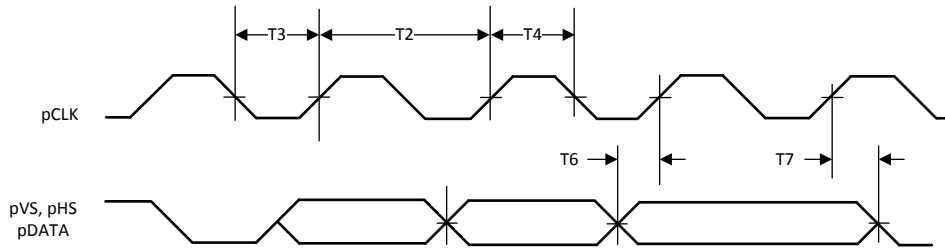


Figure 8-21. Camera Parallel Port Timing Diagram

Section 8.14.6.7.1 lists the timing parameters for the camera parallel port.

8.14.6.7.1 Camera Parallel Port Timing Parameters

| PARAMETER NUMBER | | | MIN | MAX | UNIT |
|------------------|------------------|--------------------|-----|---------------------|------|
| | pCLK | Clock frequency | | 2 | MHz |
| T2 | T _{clk} | Clock period | | 1/pCLK | ns |
| T3 | t _{LP} | Clock low period | | T _{clk} /2 | ns |
| T4 | t _{HT} | Clock high period | | T _{clk} /2 | ns |
| T6 | t _{IS} | RX data setup time | | 2 | ns |
| T7 | t _{IH} | RX data hold time | | 2 | ns |
| | D | Duty cycle | 45% | 55% | |

8.14.6.8 UART

The CC3220x device includes two UARTs with the following features:

- Programmable baud-rate generator allowing speeds up to 3 Mbps
- Separate 16-bit × 8-bit TX and RX FIFOs to reduce CPU interrupt service loading
- Programmable FIFO length, including a 1-byte-deep operation providing conventional double-buffered interface
- FIFO trigger levels of 1/8, 1/4, 1/2, 3/4, and 7/8
- Standard asynchronous communication bits for start, stop, and parity
- Generation and detection of line-breaks
- Fully programmable serial interface characteristics:
 - 5, 6, 7, or 8 data bits
 - Generation and detection of even, odd, stick, or no-parity bits
 - Generation of 1 or 2 stop-bits
- RTS and CTS hardware flow support
- Standard FIFO-level and end-of-transmission interrupts
- Efficient transfers using μ DMA:
 - Separate channels for transmit and receive
 - Receive single request asserted when data is in the FIFO; burst request asserted at programmed FIFO level
 - Transmit single request asserted when there is space in the FIFO; burst request asserted at programmed FIFO level
- System clock is used to generate the baud clock.

8.14.6.9 SD Host

CC3220x provides an interface between a local host (LH), such as an MCU and an SD memory card, and handles SD transactions with minimal LH intervention.

The SD host does the following:

- Provides SD card access in 1-bit mode
- Deals with SD protocol at the transmission level
- Handles data packing
- Adds cyclic redundancy checks (CRC)
- Start and end bit
- Checks for syntactical correctness

The application interface sends every SD command and either polls for the status of the adapter or waits for an interrupt request. The result is then sent back to the application interface in case of exceptions or to warn of end-of-operation. The controller can be configured to generate DMA requests and work with minimum CPU intervention. Given the nature of integration of this peripheral on the CC3220x platform, TI recommends that developers use peripheral library APIs to control and operate the block. This section emphasizes understanding the SD host APIs provided in the peripheral library of the CC3220x Software Development Kit (SDK).

The SD Host features are as follows:

- Full compliance with SD command and response sets, as defined in the SD memory card
 - Specifications, v2.0
 - Includes high-capacity (size >2 GB) cards HC SD
- Flexible architecture, allowing support for new command structure.
- 1-bit transfer mode specifications for SD cards
- Built-in 1024-byte buffer for read or write
 - 512-byte buffer for both transmit and receive
 - Each buffer is 32-bits wide by 128-words deep
- 32-bit-wide access bus to maximize bus throughput
- Single interrupt line for multiple interrupt source events
- Two slave DMA channels (1 for TX, 1 for RX)

- Programmable clock generation
- Integrates an internal transceiver that allows a direct connection to the SD card without external transceiver
- Supports configurable busy and response timeout
- Support for a wide range of card clock frequency with odd and even clock ratio
- Maximum frequency supported is 24 MHz

8.14.6.10 Timers

Programmable timers can be used to count or time external events that drive the timer input pins. The CC3220x general-purpose timer module (GPTM) contains 16- or 32-bit GPTM blocks. Each 16- or 32-bit GPTM block provides two 16-bit timers or counters (referred to as Timer A and Timer B) that can be configured to operate independently as timers or event counters, or they can be concatenated to operate as one 32-bit timer. Timers can also be used to trigger μ DMA transfers.

The GPTM contains four 16- or 32-bit GPTM blocks with the following functional options:

- Operating modes:
 - 16- or 32-bit programmable one-shot timer
 - 16- or 32-bit programmable periodic timer
 - 16-bit general-purpose timer with an 8-bit prescaler
 - 16-bit input-edge count- or time-capture modes with an 8-bit prescaler
 - 16-bit PWM mode with an 8-bit prescaler and software-programmable output inversion of the PWM signal
- Counts up or counts down
- Sixteen 16- or 32-bit capture compare pins (CCP)
- User-enabled stalling when the microcontroller asserts CPU Halt flag during debug
- Ability to determine the elapsed time between the assertion of the timer interrupt and entry into the interrupt service routine
- Efficient transfers using micro direct memory access controller (μ DMA):
 - Dedicated channel for each timer
 - Burst request generated on timer interrupt
- Runs from system clock (80 MHz)

9 Detailed Description

The CC3220x wireless MCU family has a rich set of peripherals for diverse application requirements. This section briefly highlights the internal details of the CC3220x devices and offers suggestions for application configurations.

9.1 Arm® Cortex®-M4 Processor Core Subsystem

The high-performance Cortex-M4 processor provides a low-cost platform that meets the needs of minimal memory implementation, reduced pin count, and low power consumption, while delivering outstanding computational performance and exceptional system response to interrupts.

- The Cortex-M4 core has low-latency interrupt processing with the following features:
 - A 32-bit Arm® Thumb® instruction set optimized for embedded applications
 - Handler and thread modes
 - Low-latency interrupt handling by automatic processor state saving and restoration during entry and exit
 - Support for ARMv6 unaligned accesses
- Nested vectored interrupt controller (NVIC) closely integrated with the processor core to achieve low-latency interrupt processing. The NVIC includes the following features:
 - Bits of priority configurable from 3 to 8
 - Dynamic reprioritization of interrupts
 - Priority grouping that enables selection of preempting interrupt levels and nonpreempting interrupt levels
 - Support for tail-chaining and late arrival of interrupts, which enables back-to-back interrupt processing without the overhead of state saving and restoration between interrupts
 - Processor state automatically saved on interrupt entry and restored on interrupt exit with no instruction overhead
 - Wake-up interrupt controller (WIC) providing ultra-low-power sleep mode support
- Bus interfaces:
 - Advanced high-performance bus (AHB-Lite) interfaces: system bus interfaces
 - Bit-band support for memory and select peripheral that includes atomic bit-band write and read operations
- Low-cost debug solution featuring:
 - Debug access to all memory and registers in the system, including access to memory-mapped devices, access to internal core registers when the core is halted, and access to debug control registers even while SYSRESETn is asserted
 - Serial wire debug port (SW-DP) or serial wire JTAG debug port (SWJ-DP) debug access
 - Flash patch and breakpoint (FPB) unit to implement breakpoints and code patches

9.2 Wi-Fi Network Processor Subsystem

The Wi-Fi network processor subsystem includes a dedicated Arm MCU to completely offload the host MCU along with an 802.11 b/g/n radio, baseband, and MAC with a powerful crypto engine for a fast, secure WLAN and Internet connections with 256-bit encryption. The CC3220x devices support station, AP, and Wi-Fi Direct modes. The device also supports WPA2 personal and enterprise security, WPS 2.0, WPA3 personal and enterprise. The Wi-Fi network processor includes an embedded IPv6, IPv4 TCP/IP stack.

9.2.1 WLAN

The WLAN features are as follows:

- 802.11b/g/n integrated radio, modem, and MAC supporting WLAN communication as a BSS station, AP, Wi-Fi Direct client and group owner with CCK and OFDM rates in the 2.4-GHz ISM band, channels 1 to 13.

Note

802.11n is supported only in Wi-Fi station, Wi-Fi direct, and P2P client modes.

- Autocalibrated radio with a single-ended 50-Ω interface enables easy connection to the antenna without requiring expertise in radio circuit design.
- Advanced connection manager with multiple user-configurable profiles stored in serial Flash allows automatic fast connection to an access point without user or host intervention.
- Supports all common Wi-Fi security modes for personal and enterprise networks with on-chip security accelerators, including: WEP, WPA/WPA2 PSK, WPA2 Enterprise (802.1x), WPA3 Personal, and WPA3 Enterprise.
- Smart provisioning options deeply integrated within the device providing a comprehensive end-to-end solution. With elaborate events notification to the host, enabling the application to control the provisioning decision flow. The wide variety of Wi-Fi provisioning methods include:
 - Access Point using HTTPS
 - SmartConfig Technology: a 1-step, 1-time process to connect a CC3220-enabled device to the home wireless network, removing dependency on the I/O capabilities of the host MCU; thus, it is usable by deeply embedded applications
- 802.11 transceiver mode allows transmitting and receiving of proprietary data through a socket without adding MAC or PHY headers. The 802.11 transceiver mode provides the option to select the working channel, rate, and transmitted power. The receiver mode works with the filtering options.

9.2.2 Network Stack

The Network Stack features are as follows:

- Integrated IPv4, IPv6 TCP/IP stack with BSD (BSD adjacent) socket APIs for simple Internet connectivity with any MCU, microprocessor, or ASIC

Note

Not all APIs are 100% BSD compliant. Not all BSD APIs are supported.

- Support of 16 simultaneous TCP, UDP, or RAW sockets
- Support of 6 simultaneous SSL/TLS sockets
- Built-in network protocols:
 - Static IP, LLA, DHCPv4, DHCPv6 with DAD and stateless autoconfiguration
 - ARP, ICMPv4, IGMP, ICMPv6, MLD, ND
 - DNS client for easy connection to the local network and the Internet
- Built-in network application and utilities:
 - HTTP/HTTPS
 - Web page content stored on serial Flash
 - RESTful APIs for setting and configuring application content
 - Dynamic user callbacks

- Service discovery: Multicast DNS service discovery lets a client advertise its service without a centralized server. After connecting to the access point, the CC3220x device provides critical information, such as device name, IP, vendor, and port number.
- DHCP server
- Ping

Table 9-1 describes the NWP features.

Table 9-1. NWP Features

| Feature | Description |
|------------------------------------|--|
| Wi-Fi standards | 802.11b/g/n station 802.11b/g AP supporting up to four stations Wi-Fi Direct client and group owner |
| Wi-Fi channels | 1 to 13 |
| Wi-Fi security | WEP, WPA/WPA2 PSK, WPA2 enterprise (802.1x), WPA3 personal and enterprise |
| Wi-Fi provisioning | SmartConfig technology, Wi-Fi protected setup (WPS2), AP mode with internal HTTP web server |
| IP protocols | IPv4/IPv6 |
| IP addressing | Static IP, LLA, DHCPv4, DHCPv6 with DAD |
| Cross layer | ARP, ICMPv4, IGMP, ICMPv6, MLD, NDP |
| Transport | UDP, TCP SSLv3.0/TLSv1.0/TLSv1.1/TLSv1.2 RAW |
| Network applications and utilities | Ping HTTP/HTTPS web server mDNS DNS-SD DHCP server |
| Host interface | UART/SPI |
| Security | Device identity Trusted root-certificate catalog TI root-of-trust public key The CC3220S and CC3220SF variants also support: <ul style="list-style-type: none"> • Secure key storage • File system security • Software tamper detection • Cloning protection • Secure boot • Validate the integrity and authenticity of the run-time binary during boot • Initial secure programming • Debug security • JTAG and debug |
| Power management | Enhanced power policy management uses 802.11 power save and deep-sleep power modes |
| Other | Transceiver Programmable RX filters with event-trigger mechanism |

9.3 Security

The SimpleLink™ Wi-Fi® CC3220x Internet-on-a-Chip device enhances the security capabilities available for development of IoT devices, while completely offloading these activities from the MCU to the networking subsystem. The security capabilities include the following key features:

Wi-Fi and Internet Security:

- Personal and enterprise Wi-Fi security
 - Personal standards
 - AES (WPA2-PSK)
 - TKIP (WPA-PSK)
 - WEP
 - Enterprise standards
 - EAP Fast
 - EAP PEAPv0/1
 - EAP PEAPv0 TLS
 - EAP PEAPv1 TLS EAP LS
 - EAP TLS
 - EAP TTLS TLS
 - EAP TTLS MSCHAPv2
- Secure sockets
 - Protocol versions: SSL v3, TLS 1.0, TLS 1.1, TLS 1.2
 - Powerful crypto engine for fast, secure Wi-Fi and internet connections with 256-bit AES encryption for TLS and SSL connections
 - Ciphers suites
 - SL_SEC_MASK_SSL_RSA_WITH_RC4_128_SHA
 - SL_SEC_MASK_SSL_RSA_WITH_RC4_128_MD5
 - SL_SEC_MASK_TLS_RSA_WITH_AES_256_CBC_SHA
 - SL_SEC_MASK_TLS_DHE_RSA_WITH_AES_256_CBC_SHA
 - SL_SEC_MASK_TLS_ECDHE_RSA_WITH_AES_256_CBC_SHA
 - SL_SEC_MASK_TLS_ECDHE_RSA_WITH_RC4_128_SHA
 - SL_SEC_MASK_TLS_RSA_WITH_AES_128_CBC_SHA256
 - SL_SEC_MASK_TLS_RSA_WITH_AES_256_CBC_SHA256
 - SL_SEC_MASK_TLS_ECDHE_RSA_WITH_AES_128_CBC_SHA256
 - SL_SEC_MASK_TLS_ECDHE_ECDSA_WITH_AES_128_CBC_SHA256
 - SL_SEC_MASK_TLS_ECDHE_ECDSA_WITH_AES_128_CBC_SHA
 - SL_SEC_MASK_TLS_ECDHE_ECDSA_WITH_AES_256_CBC_SHA
 - SL_SEC_MASK_TLS_RSA_WITH_AES_128_GCM_SHA256
 - SL_SEC_MASK_TLS_RSA_WITH_AES_256_GCM_SHA384
 - SL_SEC_MASK_TLS_DHE_RSA_WITH_AES_128_GCM_SHA256
 - SL_SEC_MASK_TLS_DHE_RSA_WITH_AES_256_GCM_SHA384
 - SL_SEC_MASK_TLS_ECDHE_RSA_WITH_AES_128_GCM_SHA256
 - SL_SEC_MASK_TLS_ECDHE_RSA_WITH_AES_256_GCM_SHA384
 - SL_SEC_MASK_TLS_ECDHE_ECDSA_WITH_AES_128_GCM_SHA256
 - SL_SEC_MASK_TLS_ECDHE_ECDSA_WITH_AES_256_GCM_SHA384
 - SL_SEC_MASK_TLS_ECDHE_ECDSA_WITH_CHACHA20_POLY1305_SHA256
 - SL_SEC_MASK_TLS_ECDHE_RSA_WITH_CHACHA20_POLY1305_SHA256
 - SL_SEC_MASK_TLS_DHE_RSA_WITH_CHACHA20_POLY1305_SHA256
 - Server authentication
 - Client authentication
 - Domain name verification
 - Runtime socket upgrade to secure socket – STARTTLS
- Secure HTTP server (HTTPS)
- Trusted root-certificate catalog—Verifies that the CA used by the application is trusted and known secure content delivery

- TI root-of-trust public key—Hardware-based mechanism that allows authenticating TI as the genuine origin of a given content using asymmetric keys
- Secure content delivery—Allows encrypted file transfer to the system using asymmetric keys created by the device

Code and Data Security:

- Network passwords and certificates are encrypted and signed.
- Cloning protection—Application and data files are encrypted by a unique key per device.
- Access control—Access to application and data files only by using a token provided in file creation time. If an unauthorized access is detected, a tamper protection lockdown mechanism takes effect.
- Encrypted and Authenticated file system (not supported in CC3220R)
- Secured boot—Authentication of the application image on every boot
- Code and data encryption (not supported in CC3220R)—User application and data files are encrypted in serial flash.
- Code and data authentication (not supported in CC3220R)—User Application and data files are authenticated with a public key certificate.
- Offloaded crypto library for asymmetric keys, including the ability to create key-pair, sign and verify data buffer.
- Recovery mechanism

Device Security:

- Separate execution environments—Application processor and network processor run on separate Arm cores
- Initial secure programming (not supported in CC3220R)—Allows for keeping the content confidential on the production line
- Debug security (not supported in CC3220R)
 - JTAG lock
 - Debug ports lock
- True random number generator

Figure 9-1 shows the high-level structure of the CC3220R device. The network information files (passwords and certificates) are encrypted using a device-specific key.

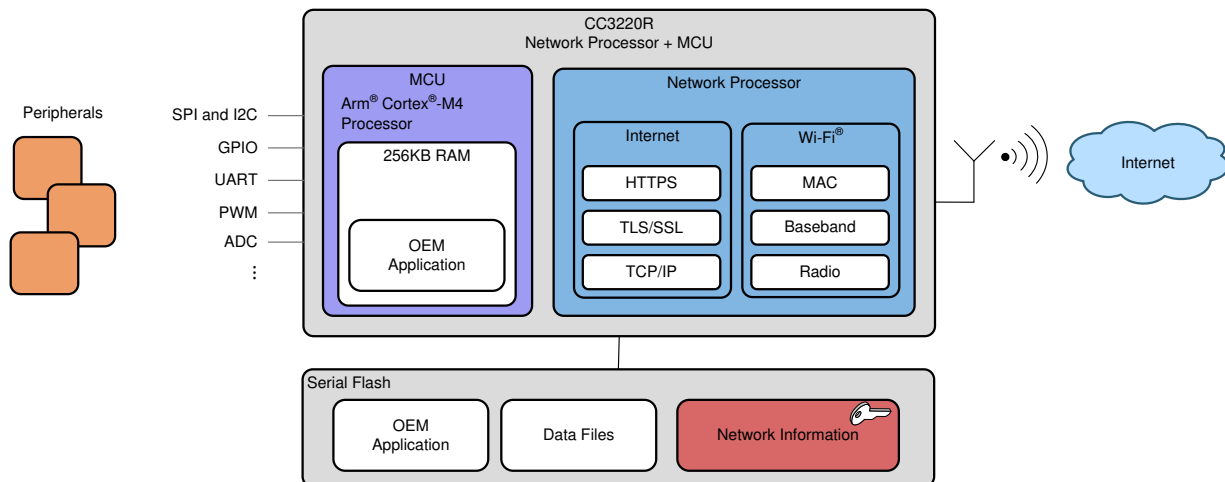


Figure 9-1. CC3220R High-Level Structure

Figure 9-2 shows the high-level structure of the CC3220S and CC3220SF devices. The application image, user data, and network information files (passwords, certificates) are encrypted using a device-specific key.

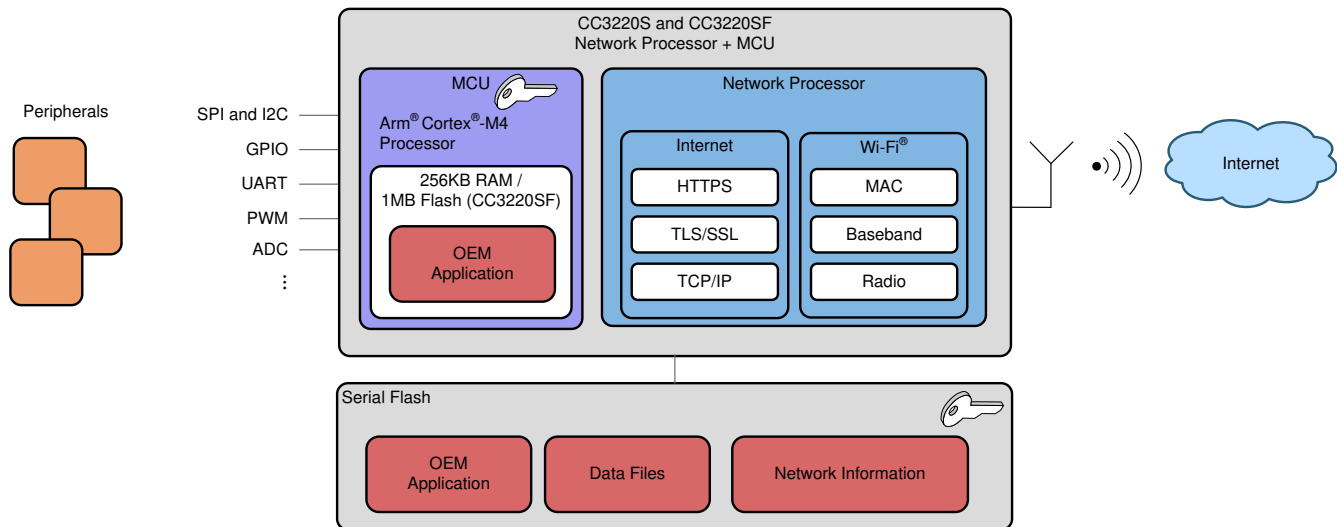


Figure 9-2. CC3220S and CC3220SF High-Level Structure

9.4 Power-Management Subsystem

The CC3220x power-management subsystem contains DC/DC converters to accommodate the different voltage or current requirements of the system.

- Digital DC/DC (Pin 44)
 - Input: V_{BAT} wide voltage (2.1 to 3.6 V) or preregulated 1.85 V
- ANA1 DC/DC (Pin 37)
 - Input: V_{BAT} wide voltage (2.1 to 3.6 V)
 - In preregulated 1.85-V mode, the ANA1 DC/DC converter is bypassed.
- PA DC/DC (Pin 39)
 - Input: V_{BAT} wide voltage (2.1 to 3.6 V)
 - In preregulated 1.85-V mode, the PA DC/DC converter is bypassed.
- ANA2 DC/DC (Pin 47)
 - Input: V_{BAT} wide voltage (2.1 to 3.6 V) or preregulated 1.85 V

The CC3220x device is a single-chip WLAN radio solution used on an embedded system with a wide-voltage supply range. The internal power management, including DC/DC converters and LDOs, generates all of the voltages required for the device to operate from a wide variety of input sources. For maximum flexibility, the device can operate in the modes described in [Section 9.4.1](#) and [Section 9.4.2](#).

9.4.1 V_{BAT} Wide-Voltage Connection

In the wide-voltage battery connection, the device is powered directly by the battery or preregulated 3.3-V supply. All other voltages required to operate the device are generated internally by the DC/DC converters. This scheme supports wide-voltage operation from 2.1 to 3.6 V and is thus the most common mode for the device.

9.4.2 Preregulated 1.85-V Connection

The preregulated 1.85-V mode of operation applies an external regulated 1.85 V directly at pins 10, 25, 33, 36, 37, 39, 44, 48, and 54 of the device. The V_{BAT} and the V_{IO} are also connected to the 1.85-V supply. This mode provides the lowest BOM count version in which inductors used for PA DC/DC and ANA1 DC/DC (2.2 and 1 μ H) and a capacitor (22 μ F) can be avoided.

In the preregulated 1.85-V mode, the regulator providing the 1.85 V must have the following characteristics:

- Load current capacity ≥ 900 mA
- Line and load regulation with $< 2\%$ ripple with 500-mA step current and settling time of < 4 μ s with the load step

Note

The regulator must be placed as close as possible to the device so that the IR drop to the device is very low.

9.5 Low-Power Operating Mode

From a power-management perspective, the CC3220x device comprises the following two independent subsystems:

- Arm Cortex-M4 application processor subsystem
- Networking subsystem

Each subsystem operates in one of several power states.

The Cortex-M4 application processor runs the user application loaded from an external serial Flash, or internal Flash (in CC3220SF). The networking subsystem runs preprogrammed TCP/IP and Wi-Fi data link layer functions.

The user program controls the power state of the application processor subsystem and can be in one of the five modes described in [Table 9-2](#).

Table 9-2. User Program Modes

| APPLICATION PROCESSOR (MCU) MODE ⁽¹⁾ | DESCRIPTION |
|---|---|
| MCU active mode | MCU executing code at 80-MHz state rate |
| MCU sleep mode | The MCU clocks are gated off in sleep mode and the entire state of the device is retained. Sleep mode offers instant wakeup. The MCU can be configured to wake up by an internal fast timer or by activity from any GPIO line or peripheral. |
| MCU LPDS mode | State information is lost and only certain MCU-specific register configurations are retained. The MCU can wake up from external events or by using an internal timer. (The wake-up time is less than 3 ms.) Certain parts of memory can be retained while the MCU is in LPDS mode. The amount of memory retained is configurable. Users can choose to preserve code and the MCU-specific setting. The MCU can be configured to wake up using the RTC timer or by an external event on specific GPIOs as the wake-up source. |
| MCU hibernate mode | The lowest power mode in which all digital logic is power-gated. Only a small section of the logic directly powered by the input supply is retained. The RTC keeps running and the MCU supports wakeup from an external event or from an RTC timer expiry. Wake-up time is longer than LPDS mode at about 15 ms plus the time to load the application from serial Flash, which varies according to code size. In this mode, the MCU can be configured to wake up using the RTC timer or external event on a GPIO. |
| MCU shutdown mode | The lowest power mode system-wise. All device logics are off, including the RTC. The wake-up time in this mode is longer than hibernate at about 1.1 s. To enter or exit the shutdown mode, the state of the nRESET line is changed (low to shut down, high to turn on). |

(1) Modes are listed in order of power consumption, with highest power modes listed first.

The NWP can be active or in LPDS mode and takes care of its own mode transitions. When there is no network activity, the NWP sleeps most of the time and wakes up only for beacon reception (see [Table 9-3](#)).

Table 9-3. Networking Subsystem Modes

| NETWORK PROCESSOR MODE | DESCRIPTION |
|--|--|
| Network active mode (processing layer 3, 2, and 1) | Transmitting or receiving IP protocol packets |
| Network active mode (processing layer 2 and 1) | Transmitting or receiving MAC management frames; IP processing not required. |
| Network active listen mode | Special power optimized active mode for receiving beacon frames (no other frames supported) |
| Network connected Idle | A composite mode that implements 802.11 infrastructure power save operation. The CC3220x NWP automatically goes into LPDS mode between beacons and then wakes to active listen mode to receive a beacon and determine if there is pending traffic at the AP. If not, the NWP returns to LPDS mode and the cycle repeats. |
| Network LPDS mode | Low-power state between beacons in which the state is retained by the NWP, allowing for a rapid wake up. |
| Network disabled | The network is disabled |

The operation of the application and network processor ensures that the device remains in the lowest power mode most of the time to preserve battery life.

The following examples show the use of the power modes in applications:

- A product that is continuously connected to the network in the 802.11 infrastructure power-save mode but sends and receives little data spends most of the time in connected idle, which is a composite of receiving a beacon frame and waiting for the next beacon.
- A product that is not continuously connected to the network but instead wakes up periodically (for example, every 10 minutes) to send data, spends most of the time in hibernate mode, jumping briefly to active mode to transmit data.

9.6 Memory

9.6.1 External Memory Requirements

The CC3220x device maintains a proprietary file system on the serial flash. The CC3220x file system stores the MCU binary, service pack file, system files, configuration files, certificate files, web page files, and user files. By using a format command through the API, users can provide the total size allocated for the file system. The starting address of the file system cannot be set and is always at the beginning of the serial flash. The applications microcontroller must access the serial flash memory area allocated to the file system directly through the CC3220x file system. The applications microcontroller must not access the serial flash memory area directly.

The file system manages the allocation of serial flash blocks for stored files according to download order, which means that the location of a specific file is not fixed in all systems. Files are stored on serial flash using human-readable filenames rather than file IDs. The file system API works using plain text, and file encryption and decryption is invisible to the user. Encrypted files can be accessed only through the file system.

All file types can have a maximum of 100 supported files in the file system. All files are stored in 4-KB blocks and thus use a minimum of 4KB of Flash space. Fail-safe files require twice the original size and use a minimum of 8KB. Encrypted files are counted as fail-safe in terms of space. The maximum file size is 1MB.

Table 9-4 lists the minimum required memory consumption under the following assumptions:

- System files in use consume 64 blocks (256KB).
- Vendor files are not taken into account.
- MCU code is taken as the maximal possible size for the CC3220 with fail-safe enabled to account for future updates, such as through OTA.
- Gang image:
 - Storage for the gang image is rounded up to 32 blocks (meaning 128KB resolution).
 - Gang image size depends on the actual content size of all components. Additionally, the image should be 128KB aligned so unaligned memory is considered lost. Service pack, system files, and the 128KB aligned memory are assumed to occupy 256KB.
- All calculations consider that the restore-to-default is enabled.

Table 9-4. Recommended Flash Size

| ITEM | CC3220R and CC3220S [KB] | CC3220SF [KB] |
|---|--------------------------|---------------|
| File system allocation table | 20 | 20 |
| System and configuration files ⁽¹⁾ | 256 | 256 |
| Service Pack ⁽¹⁾ | 264 | 264 |
| MCU Code ⁽¹⁾ | 512 | 2048 |
| Gang image size | 256 + MCU | 256 + MCU |
| Total | 1308 + MCU | 2844 + MCU |
| Minimal Flash size ⁽²⁾ | 16MBit | 32MBit |
| Recommended Flash size ⁽²⁾ | 16MBit | 32MBit |

(1) Including fail-safe.

(2) For maximum MCU size.

Note

The maximum supported serial flash size is 32MB (256Mb). See the [Using Serial Flash on CC3120/CC3220 SimpleLink™ Wi-Fi® and Internet-of-Things Devices](#) application report.

9.6.2 Internal Memory

The CC3220x device includes on-chip SRAM to which application programs are downloaded and executed. The application developer must share the SRAM for code and data. The micro direct memory access (μ DMA) controller can transfer data to and from SRAM and various peripherals. The CC3220x ROM holds the rich set of peripheral drivers, which saves SRAM space. For more information on drivers, see the CC3220x API list.

9.6.2.1 SRAM

The CC3220x family provides 256KB of on-chip SRAM. Internal RAM is capable of selective retention during LPDS mode. This internal SRAM is at offset 0x2000 0000 of the device memory map.

Use the μ DMA controller to transfer data to and from the SRAM.

When the device enters low-power mode, the application developer can choose to retain a section of memory based on need. Retaining the memory during low-power mode provides a faster wakeup. The application developer can choose the amount of memory to retain in multiples of 64KB. For more information, see the API guide.

9.6.2.2 ROM

The internal zero-wait-state ROM of the CC3220x device is at address 0x0000 0000 of the device memory and is programmed with the following components:

- Bootloader
- Peripheral driver library (DriverLib) release for product-specific peripherals and interfaces

The bootloader is used as an initial program loader (when the serial Flash memory is empty). The CC3220x DriverLib software library controls on-chip peripherals with a bootloader capability. The library performs peripheral initialization and control functions, with a choice of polled or interrupt-driven peripheral support. The DriverLib APIs in ROM can be called by applications to reduce Flash memory requirements and free the Flash memory for other purposes.

9.6.2.3 Flash Memory

The CC3220SF device comes with an on-chip Flash memory of 1MB that allows application code to execute in place while freeing SRAM exclusively for read-write data. The Flash memory is used for code and constant data sections and is directly attached to the ICODE/DCODE bus of the Cortex-M4 core. A 128-bit-wide instruction prefetch buffer allows maintenance of maximum performance for linear code or loops that fit inside the buffer.

The Flash memory is organized as 2-KB sectors that can be independently erased. Reads and writes can be performed at word (32-bit) level.

9.6.2.4 Memory Map

[Table 9-5](#) describes the various MCU peripherals and how they are mapped to the processor memory. For more information on peripherals, see the API document.

Table 9-5. Memory Map

| START ADDRESS | END ADDRESS | DESCRIPTION | COMMENT |
|---------------|-------------|--|--------------------------------|
| 0x0000 0000 | 0x0007 FFFF | On-chip ROM (bootloader + DriverLib) | |
| 0x0100 0000 | 0x010F FFFF | On-chip Flash (for user application code) | CC3220SF device only |
| 0x2000 0000 | 0x2003 FFFF | Bit-banded on-chip SRAM | |
| 0x2200 0000 | 0x23FF FFFF | Bit-band alias of 0x2000 0000 to 0x200F FFFF | |
| 0x4000 0000 | 0x4000 0FFF | Watchdog timer A0 | |
| 0x4000 4000 | 0x4000 4FFF | GPIO port A0 | |
| 0x4000 5000 | 0x4000 5FFF | GPIO port A1 | |
| 0x4000 6000 | 0x4000 6FFF | GPIO port A2 | |
| 0x4000 7000 | 0x4000 7FFF | GPIO port A3 | |
| 0x4000 C000 | 0x4000 CFFF | UART A0 | |
| 0x4000 D000 | 0x4000 DFFF | UART A1 | |
| 0x4002 0000 | 0x4000 07FF | I ² C A0 (master) | |
| 0x4002 4000 | 0x4002 4FFF | GPIO group 4 | |
| 0x4002 0800 | 0x4002 0FFF | I ² C A0 (slave) | |
| 0x4003 0000 | 0x4003 0FFF | General-purpose timer A0 | |
| 0x4003 1000 | 0x4003 1FFF | General-purpose timer A1 | |
| 0x4003 2000 | 0x4003 2FFF | General-purpose timer A2 | |
| 0x4003 3000 | 0x4003 3FFF | General-purpose timer A3 | |
| 0x400F7000 | 0x400F 7FFF | Configuration registers | |
| 0x400F E000 | 0x400F EFFF | System control | |
| 0x400F F000 | 0x400F FFFF | μDMA | |
| 0x4200 0000 | 0x43FF FFFF | Bit band alias of 0x4000 0000 to 0x400F FFFF | |
| 0x4401 0000 | 0x4401 0FFF | SDIO master | |
| 0x4401 8000 | 0x4401 8FFF | Camera Interface | |
| 0x4401 C000 | 0x4401 DFFF | McASP | |
| 0x4402 0000 | 0x4402 1FFF | SSPI | Used for external serial Flash |
| 0x4402 1000 | 0x4402 2FFF | GSPI | Used by application processor |
| 0x4402 5000 | 0x4402 5FFF | MCU reset clock manager | |
| 0x4402 6000 | 0x4402 6FFF | MCU configuration space | |
| 0x4402 D000 | 0x4402 DFFF | Global power, reset, and clock manager (GPRCM) | |
| 0x4402 E000 | 0x4402 EFFF | MCU shared configuration | |
| 0x4402 F000 | 0x4402 FFFF | Hibernate configuration | |
| 0x4403 0000 | 0x4403 FFFF | Crypto range (includes apertures for all crypto-related blocks as follows) | |
| 0x4403 0000 | 0x4403 0FFF | DTHE registers and TCP checksum | |
| 0x4403 5000 | 0x4403 5FFF | MD5/SHA | |
| 0x4403 7000 | 0x4403 7FFF | AES | |
| 0x4403 9000 | 0x4403 9FFF | DES | |
| 0xE000 0000 | 0xE000 0FFF | Instrumentation trace Macrocell™ | |
| 0xE000 1000 | 0xE000 1FFF | Data watchpoint and trace (DWT) | |
| 0xE000 2000 | 0xE000 2FFF | Flash patch and breakpoint (FPB) | |
| 0xE000 E000 | 0xE000 EFFF | NVIC | |
| 0xE004 0000 | 0xE004 0FFF | Trace port interface unit (TPIU) | |
| 0xE004 1000 | 0xE004 1FFF | Reserved for embedded trace macrocell (ETM) | |
| 0xE004 2000 | 0xE00F FFFF | Reserved | |

9.7 Restoring Factory Default Configuration

The device has an internal recovery mechanism that allows rolling back the file system to its predefined factory image or restoring the factory default parameters of the device. The factory image is kept in a separate sector on the serial flash in a secure manner and cannot be accessed from the host processor. The following restore modes are supported:

- None—no factory restore settings
- Enable restore of factory default parameters
- Enable restore of factory image and factory default parameters

The restore process is performed by calling SW APIs, or by pulling or forcing SOP[2:0] = 110 pins and toggling the nRESET pin from low to high.

The process is fail-safe and resumes operation if a power failure occurs before the restore is finished. The restore process typically takes about 8 seconds, depending on the attributes of the serial Flash vendor.

9.8 Boot Modes

9.8.1 Boot Mode List

The CC3220x device implements a sense-on-power (SoP) scheme to determine the device operation mode.

SoP values are sensed from the device pin during power up. This encoding determines the boot flow. Before the device is taken out of reset, the SoP values are copied to a register and used to determine the device operation mode while powering up. These values determine the boot flow as well as the default mapping for some of the pins (JTAG, SWD, UART0). [Table 9-6](#) lists the pull configurations.

Table 9-6. CC3220x Functional Configurations

| NAME | SOP[2] | SOP[1] | SOP[0] | SoP MODE | COMMENT |
|-------------------------|----------|----------|----------|----------------|---|
| UARTLOAD | Pullup | Pulldown | Pulldown | LDfrUART | Factory, lab Flash, and SRAM loads through the UART. The device waits indefinitely for the UART to load code. The SOP bits then must be toggled to configure the device in functional mode. Also puts JTAG in 4-wire mode. |
| FUNCTIONAL_2WJ | Pulldown | Pulldown | Pullup | Fn2WJ | Functional development mode. In this mode, 2-pin SWD is available to the developer. TMS and TCK are available for debugger connection. |
| FUNCTIONAL_4WJ | Pulldown | Pulldown | Pulldown | Fn4WJ | Functional development mode. In this mode, 4-pin JTAG is available to the developer. TDI, TMS, TCK, and TDO are available for debugger connection. |
| UARTLOAD_FUNCTIONAL_4WJ | Pulldown | Pullup | Pulldown | LDfrUART_Fn4WJ | Supports Flash and SRAM load through UART and functional mode. The MCU bootloader tries to detect a UART break on UART receive line. If the break signal is present, the device enters the UARTLOAD mode, otherwise, the device enters the functional mode. TDI, TMS, TCK, and TDO are available for debugger connection. |
| RET_FACTORY_IMAGE | Pulldown | Pullup | Pullup | RetFactDef | When device reset is toggled, the MCU bootloader kickstarts the procedure to restore factory default images. |

The recommended values of pull resistors are 100 kΩ for SOP0 and SOP1 and 2.7 kΩ for SOP2. The application can use SOP2 for other functions after chip has powered up. However, to avoid spurious SOP values from being sensed at power up, TI strongly recommends using the SOP2 pin only for output signals. The SOP0 and SOP1 pins are multiplexed with the WLAN analog test pins and are not available for other functions.

10 Applications, Implementation, and Layout

Note

Information in the following applications sections is not part of the TI component specification, and TI does not warrant its accuracy or completeness. TI's customers are responsible for determining suitability of components for their purposes, as well as validating and testing their design implementation to confirm system functionality.

10.1 Application Information

10.1.1 Typical Application —CC3220x Wide-Voltage Mode

Figure 10-1 shows the schematic for an application using the CC3220x device in the wide-voltage mode of operation. For a full operation reference design, refer to [CC3220 SimpleLink™ and Internet of Things Hardware Design Files](#).

Note

For complete reference schematics and BOM, see the [CC3220x product page](#).

Table 10-1 lists the bill of materials for an application using the CC3220x device in wide-voltage mode.

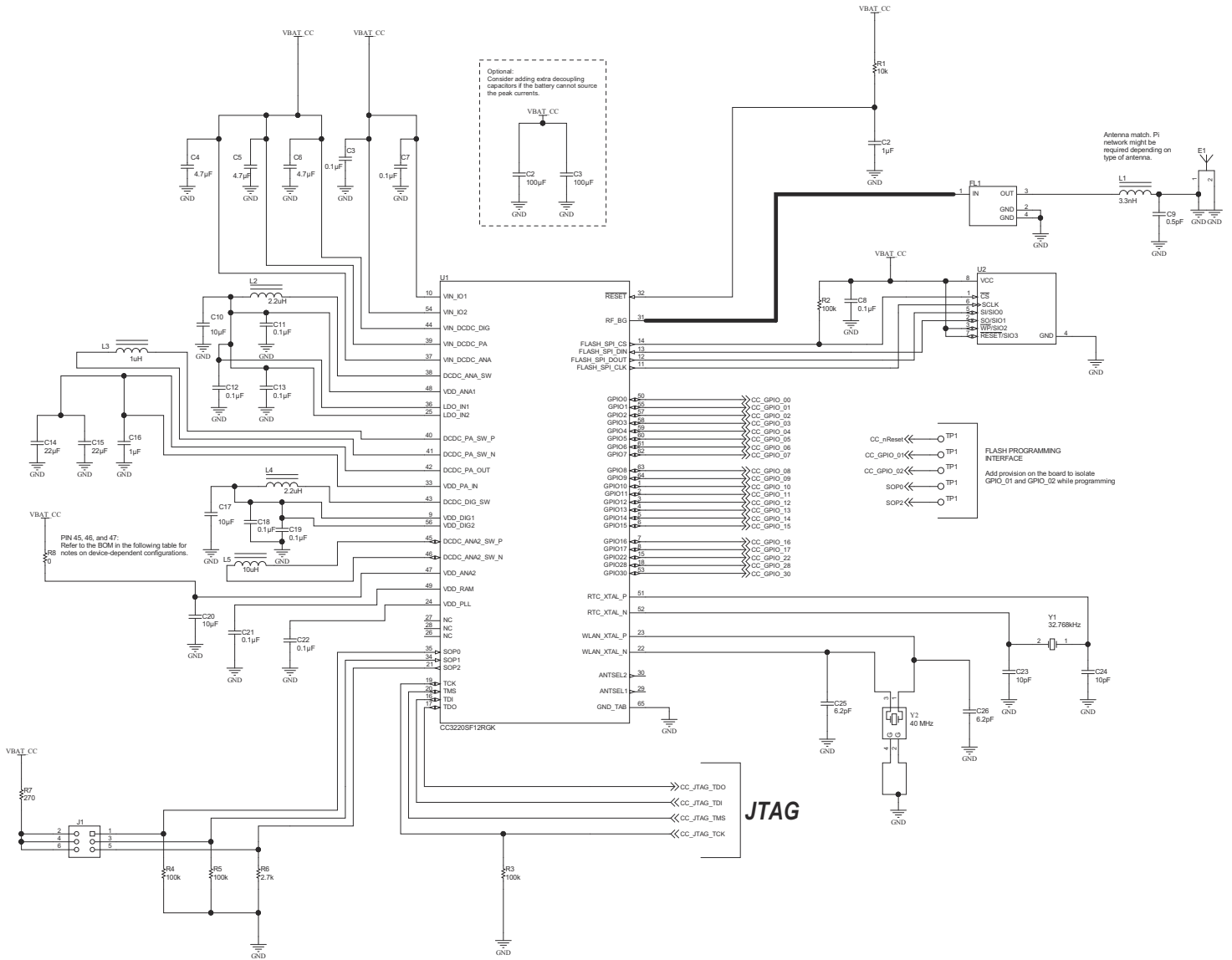


Figure 10-1. CC3220x Wide-Voltage Mode Application Circuit

Table 10-1. Bill of Materials for CC3220x in Wide-Voltage Mode

| QUANTITY | DESIGNATOR | VALUE | MANUFACTURER | PART NUMBER | DESCRIPTION |
|----------|--|-------------|--------------|---------------------|---|
| 1 | C1 | 1 μ F | MuRata | GRM155R61A105KE15D | Capacitor, Ceramic, 1 μ F, 10 V, \pm 10%, X5R, 0402 |
| 10 | C2, C6, C10, C12, C13, C14, C19, C20, C22, C23 | 0.1 μ F | TDK | C1005X5R1A104K050BA | Capacitor, Ceramic, 0.1 μ F, 10 V, \pm 10%, X5R, 0402 |
| 3 | C3, C4, C5 | 4.7 μ F | TDK | C1005X5R0J475M050BC | Capacitor, Ceramic, 4.7 μ F, 6.3 V, \pm 20%, X5R, 0402 |
| 2 | C7, C8 | 100 μ F | Taiyo Yuden | LMK325ABJ107MMHT | Capacitor, Ceramic, 100 μ F, 10 V, \pm 20%, X5R, AEC-Q200 Grade 3, 1210 |
| 1 | C9 | 0.5 pF | MuRata | GRM1555C1HR50BA01D | Capacitor, Ceramic, 0.5 pF, 50 V, \pm 20%, C0G/NP0, 0402 |
| 3 | C11, C18, C21 | 10 μ F | MuRata | GRM188R60J106ME47D | Capacitor, Ceramic, 10 μ F, 6.3 V, \pm 20%, X5R, 0603 |

Table 10-1. Bill of Materials for CC3220x in Wide-Voltage Mode (continued)

| QUANTITY | DESIGNATOR | VALUE | MANUFACTURER | PART NUMBER | DESCRIPTION |
|----------|-------------------|------------------|---------------------------------|----------------------|---|
| 1 | C15 | 1 μ F | TDK | C1005X5R1A105K050B | Capacitor, Ceramic, 1 μ F, 10 V, \pm 10%, X5R, 0402 |
| 2 | C16, C17 | 22 μ F | TDK | C1608X5R0G226M080A | Capacitor, Ceramic, 22 μ F, 4 V, \pm 20%, X5R, 0603 |
| 2 | C24, C25 | 10 pF | MuRata | GRM1555C1H100JA01D | Capacitor, Ceramic, 10 pF, 50 V, \pm 5%, C0G/NP0, 0402 |
| 2 | C26, C27 | 6.2 pF | MuRata | GRM1555C1H6R2CA01D | Capacitor, Ceramic, 6.2 pF, 50 V, \pm 5%, C0G/NP0, 0402 |
| 1 | E1 | 2.45-GHz Antenna | Taiyo Yuden | AH316M245001-T | ANT Bluetooth W-LAN Zigbee® WiMAX™, SMD |
| 1 | FL1 | 1.02 dB | TDK | DEA202450BT-1294C1-H | Multilayer Chip Band Pass Filter For 2.4 GHz W-LAN/Bluetooth, SMD |
| 1 | L1 | 3.3 nH | MuRata | LQG15HS3N3S02D | Inductor, Multilayer, Air Core, 3.3 nH, 0.3 A, 0.17 ohm, SMD |
| 2 | L2, L4 | 2.2 μ H | MuRata | LQM2HPN2R2MG0L | Inductor, Multilayer, Ferrite, 2.2 μ H, 1.3 A, 0.08 ohm, SMD |
| 1 | L3 | 1 μ H | MuRata | LQM2HPN1R0MG0L | Inductor, Multilayer, Ferrite, 1 μ H, 1.6 A, 0.055 ohm, SMD |
| 1 | L5 ⁽¹⁾ | 10 μ H | Taiyo Yuden | CBC2518T100M | Inductor, Wirewound, Ceramic, 10 μ H, 0.48 A, 0.36 ohm, SMD |
| 1 | R1 | 10 k | Vishay-Dale | CRCW040210K0JNED | Resistor, 10 k, 5%, 0.063 W, 0402 |
| 4 | R2, R3, R4, R5 | 100 k | Vishay-Dale | CRCW0402100KJNED | Resistor, 100 k, 5%, 0.063 W, 0402 |
| 1 | R6 | 2.7 k | Vishay-Dale | CRCW04022K70JNED | Resistor, 2.7 k, 5%, 0.063 W, 0402 |
| 1 | R7 | 270 | Vishay-Dale | CRCW0402270RJNED | Resistor, 270, 5%, 0.063 W, 0402 |
| 1 | R8 ⁽²⁾ | 0 | Panasonic | ERJ-2GE0R00X | Resistor, 0, 5% 0.063W, 0402 |
| 1 | U1 | MX25R | Macronix International Co., LTD | MX25R3235FM11L0 | Ultra-Low Power, 32-Mbit [x 1/x 2/x 4] CMOS MXSMIO (Serial Multi I/O) Flash Memory, SOP-8 |
| 1 | U2 | CC3220 | Texas Instruments | CC3220SF12RGK | SimpleLink™ Wi-Fi® and internet-of-things Solution, a Single-Chip Wireless MCU, RGK0064B |
| 1 | Y1 | Crystal | Abracon Corporation | ABS07-32.768KHZ-9-T | Crystal, 32.768 KHz, 9PF, SMD |
| 1 | Y2 | Crystal | Epson | Q24FA20H0039600 | Crystal, 40 MHz, 8pF, SMD |

(1) For CC3220SF device, L5 is populated. For CC3220R and CC3220S devices, L5 is not populated.

(2) For CC3220SF device, R8 is not populated. For CC3220R and CC3220S devices if R8 is populated, Pin 47 can be used as GPIO_31.

10.1.2 Typical Application Schematic—CC3220x Preregulated, 1.85-V Mode

Figure 10-2 shows the typical application schematic using the CC3220x in preregulated, 1.85-V mode of operation. For additional information on this mode of operation please contact your TI representative.

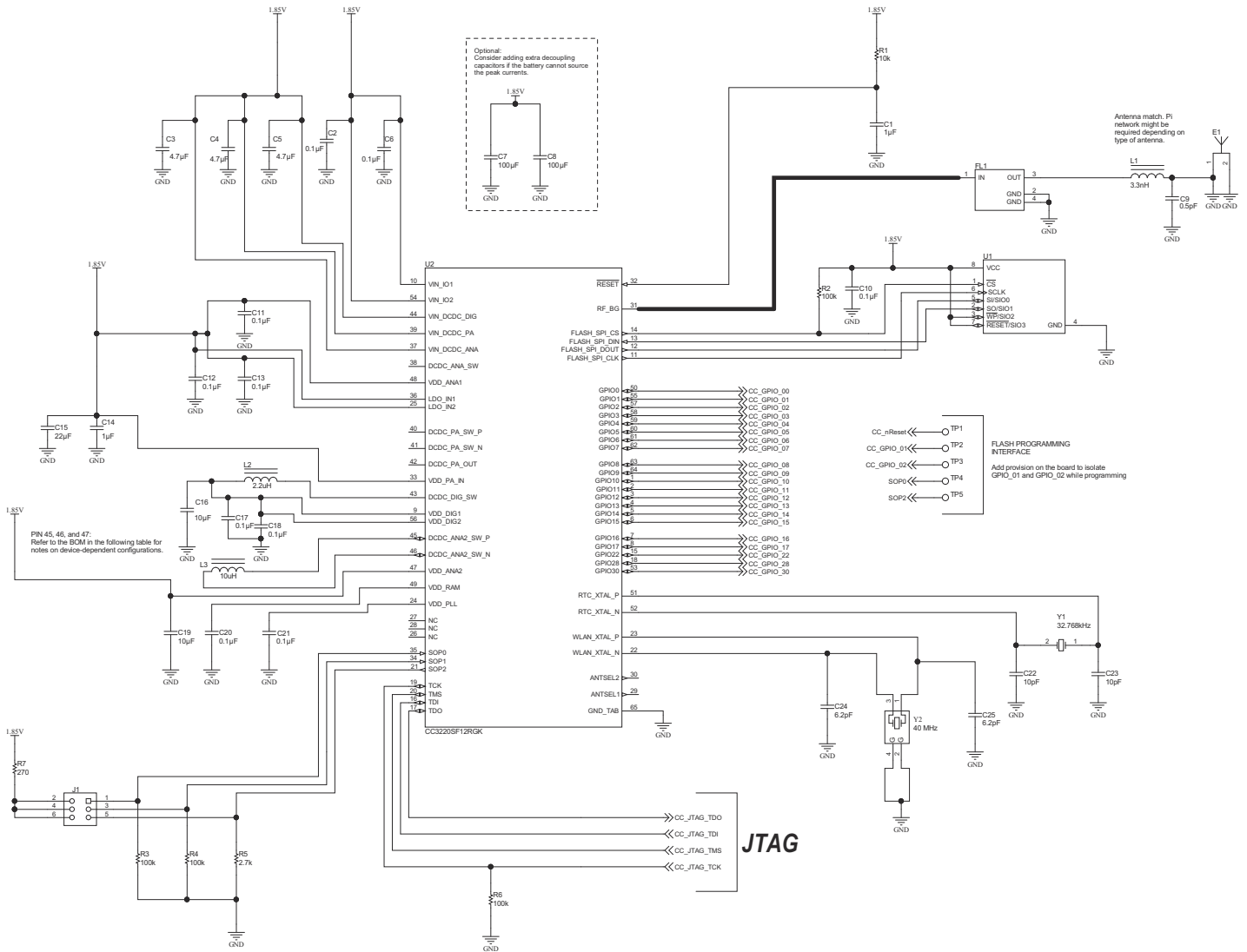


Figure 10-2. CC3220x Preregulated 1.85-V Mode Application Circuit

Table 10-2 lists the bill of materials for an application using the CC3120R device in preregulated 1.85-V mode.

Table 10-2. Bill of Materials for CC3220x Preregulated, 1.85-V Mode

| QUANTITY | DESIGNATOR | VALUE | MANUFACTURER | PART NUMBER | DESCRIPTION |
|----------|--|------------------|--------------------------------|----------------------|---|
| 1 | C1 | 1 μ F | MuRata | GRM155R61A105KE15D | Capacitor, Ceramic, 1 μ F, 10 V, \pm 10%, X5R, 0402 |
| 10 | C2, C6, C10, C11, C12, C13, C17, C18, C20, C21 | 0.1 μ F | TDK | C1005X5R1A104K050BA | Capacitor, Ceramic, 0.1 μ F, 10 V, \pm 10%, X5R, 0402 |
| 3 | C3, C4, C5 | 4.7 μ F | TDK | C1005X5R0J475M050BC | Capacitor, Ceramic, 4.7 μ F, 6.3 V, \pm 20%, X5R, 0402 |
| 2 | C7, C8 | 100 μ F | Taiyo Yuden | LMK325ABJ107MMHT | Capacitor, Ceramic, 100 μ F, 10 V, \pm 20%, X5R, AEC-Q200 Grade 3, 1210 |
| 1 | C9 | 0.5 pF | MuRata | GRM1555C1HR50BA01D | Capacitor, Ceramic, 0.5 pF, 50 V, \pm 20%, C0G/NP0, 0402 |
| 1 | C14 | 1 μ F | TDK | C1005X5R1A105K050BB | Capacitor, Ceramic, 1 μ F, 10 V, \pm 10%, X5R, 0402 |
| 1 | C15 | 22 μ F | TDK | C1608X5R0G226M080AA | Capacitor, Ceramic, 22 μ F, 4 V, \pm 20%, X5R, 0603 |
| 2 | C16, C19 | 10 μ F | MuRata | GRM188R60J106ME47D | Capacitor, Ceramic, 10 μ F, 6.3 V, \pm 20%, X5R, 0603 |
| 2 | C22, C23 | 10 pF | MuRata | GRM1555C1H100JA01D | Capacitor, Ceramic, 10 pF, 50 V, \pm 5%, C0G/NP0, 0402 |
| 2 | C24, C25 | 6.2 pF | MuRata | GRM1555C1H6R2CA01D | Capacitor, Ceramic, 6.2 pF, 50 V, \pm 5%, C0G/NP0, 0402 |
| 1 | U1 | MX25R | Macronix International Co. LTD | MX25R3235FM1IL0 | Ultra-low power, 32-Mbit [x 1/x 2/x 4] CMOS MXSMIO (Serial Multi I/O) Flash Memory, SOP-8 |
| 1 | E1 | 2.45-GHz Antenna | Taiyo Yuden | AH316M245001-T | ANT Bluetooth W-LAN Zigbee® WiMAX™, SMD |
| 1 | FL1 | 1.02 dB | TDK | DEA202450BT-1294C1-H | Multilayer Chip Band Pass Filter For 2.4GHz W-LAN/Bluetooth, SMD |
| 1 | L1 | 3.3 nH | MuRata | LQG15HS3N3S02D | Inductor, Multilayer, Air Core, 3.3 nH, 0.3 A, 0.17 ohm, SMD |
| 1 | L2 | 2.2 μ H | MuRata | LQM2HPN2R2MG0L | Inductor, Multilayer, Ferrite, 2.2 μ H, 1.3 A, 0.08 ohm, SMD |
| 1 | L3 ⁽¹⁾ | 10 μ H | Taiyo Yuden | CBC2518T100M | Inductor, Wirewound, Ceramic, 10 μ H, 0.48 A, 0.36 ohm, SMD |
| 1 | R1 | 10 k | Vishay-Dale | CRCW040210K0JNE D | Resistor, 10 k, 5%, 0.063 W, 0402 |
| 4 | R2, R3, R4, R6 | 100 k | Vishay-Dale | CRCW0402100KJNE D | Resistor, 100 k, 5%, 0.063 W, 0402 |
| 1 | R5 | 2.7 k | Vishay-Dale | CRCW04022K70JNE D | Resistor, 2.7 k, 5%, 0.063 W, 0402 |
| 1 | R7 | 270 | Vishay-Dale | CRCW0402270RJNE D | Resistor, 270, 5%, 0.063 W, 0402 |
| 1 | U2 | CC3220 | Texas Instruments | CC3220SF12RGK | SimpleLink™ Wi-Fi® and internet-of-things solution, a Single-Chip Wireless MCU, RGK0064B |
| 1 | Y1 | Crystal | Abracon Corporation | ABS07-32.768KHZ-9-T | Crystal, 32.768 kHz, 9PF, SMD |
| 1 | Y2 | Crystal | Epson | Q24FA20H0039600 | Crystal, 40 MHz, 8pF, SMD |

(1) For CC3220SF device, L3 is populated. For CC3220R and CC3220S devices, L3 is not populated and Pin 47 can be used as GPIO_31.

10.2 PCB Layout Guidelines

This section details the PCB guidelines to speed up the PCB design using the CC3220x VQFN device. Following these guidelines ensures that the design will minimize the risk with regulatory certifications including FCC, ETSI, and CE. For more information, see [CC3120 and CC3220 SimpleLink™ Wi-Fi® and IoT Solution Layout Guidelines](#).

10.2.1 General PCB Guidelines

Use the following PCB guidelines:

- Verify the recommended PCB stackup in the PCB design guidelines, as well as the recommended layers for signals and ground.
- Ensure that the PCB footprint of the VQFN follows the information in .
- Ensure that the GND and solder paste of the VQFN PCB follow the recommendations provided in [CC3120 and CC3220 SimpleLink™ Wi-Fi® and IoT Solution Layout Guidelines](#).
- Decoupling capacitors must be as close as possible to the VQFN device.

10.2.2 Power Layout and Routing

Three critical DC/DC converters must be considered for the CC3220x device.

- Analog DC/DC converter
- PA DC/DC converter
- Digital DC/DC converter

Each converter requires an external inductor and capacitor that must be laid out with care. DC current loops are formed when laying out the power components.

10.2.2.1 Design Considerations

The following design guidelines must be followed when laying out the CC3220x device:

- Route all of the input decoupling capacitors (C11, C13, and C18) on L2 using thick traces, to isolate the RF ground from the noisy supply ground. This step is also required to meet the IEEE spectral mask specifications.
- Maintain the thickness of power traces to be greater than 12 mils. Take special consideration for power amplifier supply lines (pins 33, 40, 41, and 42), and all input supply pins (pins 37, 39, and 44).
- Ensure the shortest grounding loop for the PLL supply decoupling capacitor (pin 24).
- Place all decoupling capacitors as close to the respective pins as possible.
- Power budget: The CC3220x device can consume up to 450 mA for 3.3 V, 670 mA for 2.1 V, and 700 mA for 1.85 V, for 24 ms during the calibration cycle.
- Ensure the power supply is designed to source this current without any issues. The complete calibration (TX and RX) can take up to 17 mJ of energy from the battery over a time of 24 ms.
- The CC3220x device contains many high-current input pins. Ensure the trace feeding these pins is capable of handling the following currents:
 - VIN_DCDC_PA input (pin 39) maximum is 1 A
 - VIN_DCDC_ANA input (pin 37) maximum is 600 mA
 - VIN_DCDC_DIG input (pin 44) maximum is 500 mA
 - DCDC_PA_SW_P (pin 40) and DCDC_PA_SW_N (pin 41) switching nodes maximum is 1 A
 - DCDC_PA_OUT output node (pin 42) maximum 1 A
 - DCDC_ANA_SW switching node (pin 38) maximum is 600 mA
 - DCDC_DIG_SW switching node (pin 43) maximum is 500 mA
 - VDD_PA_IN supply (pin 33) maximum is 500 mA

Figure 10-3 shows the ground routing for the input decoupling capacitors.

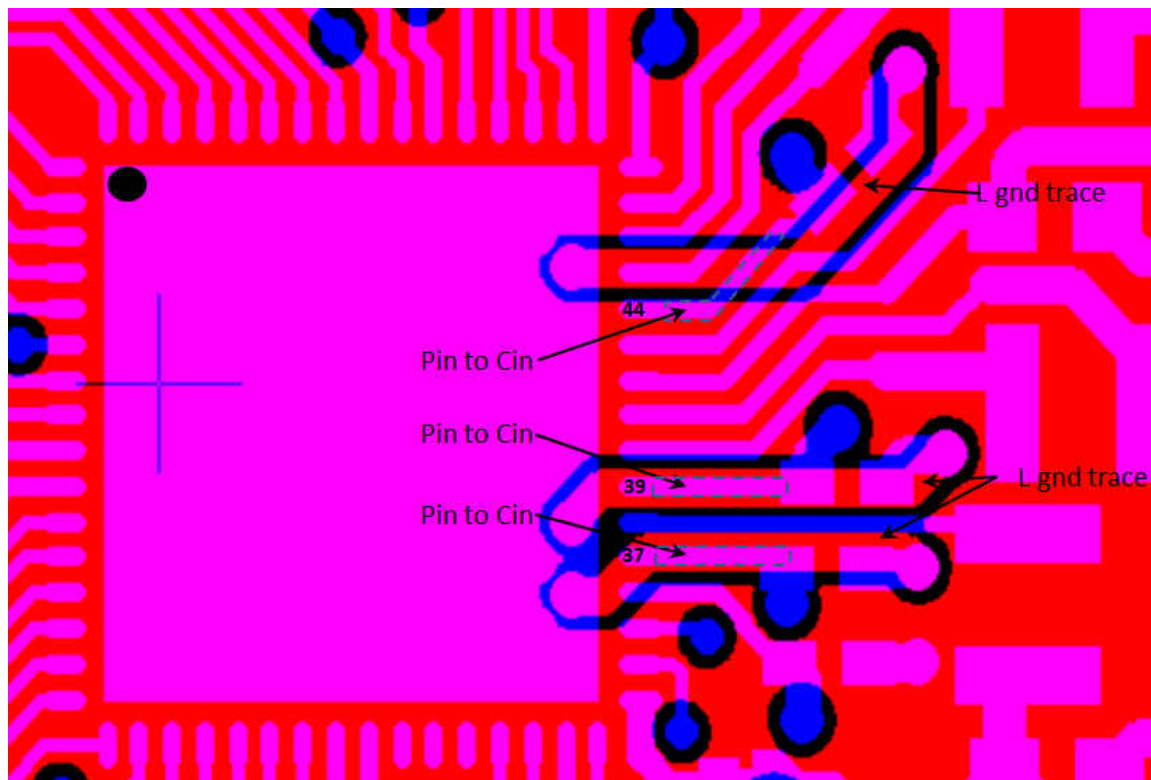


Figure 10-3. Ground Routing for the Input Decoupling Capacitors

The ground return for the input capacitors are routed on L2 to reduce the EMI and improve the spectral mask. This routing must be strictly followed because it is critical for the overall performance of the device.

10.2.3 Clock Interfaces

The following guidelines are for the slow clock.

- The 32.768-kHz crystal must be placed close to the VQFN package.
- Ensure that the load capacitance is tuned according to the board parasitics to the frequency tolerance is within ± 150 ppm.
- The ground plane on layer two is solid below the trace lanes and there is ground around these traces on the top layer.

The following guidelines are for the fast clock.

- The 40-MHz crystal must be placed close to the VQFN package.
- Ensure that the load capacitance is tuned according to the board parasitics to the frequency tolerance is within ± 100 ppm at room temperature. The total frequency across parts, temperature, and with aging, must be ± 25 ppm to meet the WLAN specification.
- Ensure that no high-frequency lines are routed close to the crystal routing to avoid noise degradation.
- Ensure that crystal tuning capacitors are close to the crystal pads.
- Make both traces (XTAL_N and XTAL_P) as close to parallel as possible and approximately the same length.
- The ground plane on layer two is solid below the trace lines and that there is ground around these traces on the top layer.
- See [CC31xx & CC32xx Frequency Tuning](#) for frequency tuning.

10.2.4 Digital Input and Output

The following guidelines are for the digital I/O.

- Route SPI and UART lines away from any RF traces.
- Keep the length of the high-speed lines as short as possible to avoid transmission line effects.
- Keep the line lower than 1/10 of the rise time of the signal to ignore transmission line effects. This is required if the traces cannot be kept short. Place the resistor at the source end, closer to the device that is driving the signal.
- Add a series-terminating resistor for each high-speed line (such as SPI_CLK or SPI_DATA) to match the driver impedance to the line. Typical terminating-resistor values range from 27 to 36 Ω for a 50- Ω line impedance.
- Route high-speed lines with a ground reference plane continuously below it to offer good impedance throughout. This routing also helps shield the trace against EMI.
- Avoid stubs on high-speed lines to minimize the reflections. If the line must be routed to multiple locations, use a separate line driver for each line.
- If the lines are longer compared to the rise time, add series-terminating resistors near the driver for each high-speed line to match the driver impedance to the line. Typical terminating-resistor values range from 27 to 36 Ω for a 50- Ω line impedance.

10.2.5 RF Interface

The following guidelines are for the RF interface. Follow guidelines specified in the vendor-specific antenna design guides (including placement of the antenna). Also see [CC3120 and CC3220 SimpleLink™ Wi-Fi® and IoT Solution Layout Guidelines](#) for general antenna guidelines.

- Ensure that the antenna is matched for 50- Ω . TI recommends using a Pi-matching network.
- Ensure that the area underneath the BPF pads is grounded on layer one and layer two, and ensure that the minimum filter requirements are met.
- Verify that the Wi-Fi RF trace is a 50- Ω , impedance-controlled trace with a reference to solid ground.
- The RF trace bends must be made with gradual curves. Avoid using 90-degree bends.
- The RF traces must not have sharp corners.
- Do not place traces or ground under the antenna section.
- The RF traces must have via stitching on the ground plane beside the RF trace on both sides.

11 Device and Documentation Support

TI offers an extensive line of development tools. Tools and software to evaluate the performance of the device, generate code, and develop solutions are listed in this section.

11.1 Development Tools and Software

For the most up-to-date list of development tools and software, see the [CC3220 Tools & Software](#) product page. Users can also click the "Alert Me" button on the top right corner of the [CC3220 Tools & Software](#) page to stay informed about updates related to the CC3220MOD device.

Development Tools

Pin Mux Tool

The supported devices are: CC3200 and CC3220x.

The Pin Mux Tool is a software tool that provides a graphical user interface (GUI) for configuring pin multiplexing settings, resolving conflicts and specifying I/O cell characteristics for MPUs from TI. Results are output as C header/code files that can be imported into software development kits (SDKs) or used to configure customers' custom software. Version 3 of the Pin Mux Tool adds the capability of automatically selecting a mux configuration that satisfies the entered requirements.

SimpleLink™ Wi-Fi® Starter Pro

The supported devices are: CC3100, CC3200, CC3120R, and CC3220x.

The SimpleLink™ Wi-Fi® Starter Pro mobile App is a new mobile application for SimpleLink provisioning. The app goes along with the embedded provisioning library and example that runs on the device side (see [SimpleLink™ Wi-Fi® CC3120 SDK plugin](#) and [TI SimpleLink™ Wi-Fi® CC3220 Software Development Kit \(SDK\)](#)). The new provisioning release is a TI recommendation for Wi-Fi provisioning using SimpleLink Wi-Fi products. The provisioning release implements advanced AP mode and SmartConfig™ technology provisioning with feedback and fallback options to ensure successful process has been accomplished. Customers can use both embedded library and the mobile library for integration to their end products.

SimpleLink™ Wi-Fi® Radio Testing Tool

The supported devices are: CC3100, CC3200, and CC3220x.

The SimpleLink™ Wi-Fi® Radio Testing Tool is a Windows-based software tool for RF evaluation and testing of SimpleLink Wi-Fi CC3120 and CC3220 designs during development and certification. The tool enables low-level radio testing capabilities by manually setting the radio into transmit or receive modes. Using the tool requires familiarity and knowledge of radio circuit theory and radio test methods.

Created for the Internet of Things (IoT), the SimpleLink Wi-Fi CC31xx and CC32xx family of devices include on-chip Wi-Fi, Internet, and robust security protocols with no prior Wi-Fi experience needed for faster development. For more information on these devices, visit [SimpleLink™ Wi-Fi® family, Internet-on-a-chip™ solutions](#).

CC3220 Software Development Kit (SDK)

The CC3220x device is supported.

The CC3220 SDK contains drivers, many sample applications for Wi-Fi features and Internet, as well as documentation needed to use the CC3220 Internet-on-a-chip solution. This SDK can be used with TI's MSP432P401R LaunchPad™ development kit, or with the SimpleLink Studio, a PC tool that allows MCU development with CC3220. You can also use the SDK as example code for any platform. All sample applications in the SDK are supported on TI's MSP432P401R ultra-low-power MCUs with Code Composer Studio™ IDE and TI-RTOS. In addition, many of the applications support IAR.

Uniflash Standalone Flash Tool for TI Microcontrollers (MCU), Sitara Processors & SimpleLink Devices

CCS Uniflash is a standalone tool used to program on-chip flash memory on TI MCUs and on-board flash memory for Sitara processors. Uniflash has a GUI, command line, and scripting interface. CCS Uniflash is available free of charge.

TI Designs and Reference Designs

The [TI Designs Reference Design Library](#) is a robust reference design library spanning analog, embedded processor, and connectivity. Created by TI experts to help you jumpstart your system design, all TI Designs include schematic or block diagrams, BOMs, and design files to speed your time to market.

11.2 Firmware Updates

TI updates features in the service pack for this module with no published schedule. Due to the ongoing changes, TI recommends that the user has the latest service pack in their module for production.

To stay informed, click the SDK “Alert me” button the top right corner of the product page, or visit [SimpleLink™ Wi-Fi® CC3120 SDK plugin](#).

11.3 Device Nomenclature

To designate the stages in the product development cycle, TI assigns prefixes to the part numbers of the CC3220x device and support tools (see [Figure 11-1](#)).

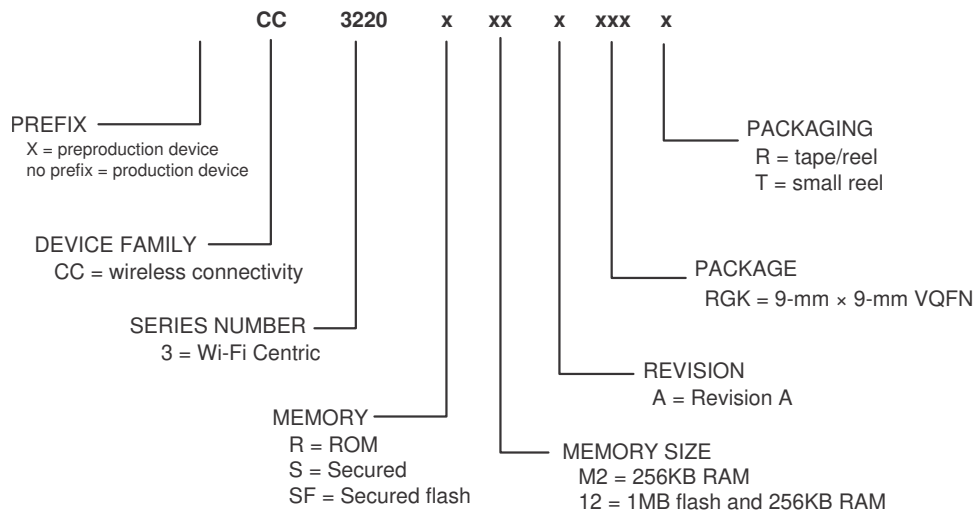


Figure 11-1. CC3220x Device Nomenclature

11.4 Documentation Support

To receive notification of documentation updates—including silicon errata—go to the product folder for your device on ti.com (CC3220). In the upper right corner, click the "Alert me" button. This registers you to receive a weekly digest of product information that has changed (if any). For change details, check the revision history of any revised document. The current documentation that describes the processor, related peripherals, and other technical collateral follows.

The following documents provide support for the CC3220 device.

Errata

[CC3220R, CC3220S Silicon Errata](#) This document describes the known exceptions to the functional specifications for the CC3220R and the CC3220S SimpleLink™ Wi-Fi® Wireless and Internet-of-Things Solution, a Single-Chip Wireless MCU.

[CC3220SF Silicon Errata](#) This document describes the known exception to the functional specifications for the CC3220SF SimpleLink™ Wi-Fi® Wireless and Internet-of-Things Solution, a Single-Chip Wireless MCU.

Application Reports

[CC3120 and CC3220 SimpleLink™ Wi-Fi® Embedded Programming](#) CC3120 and CC3220 SimpleLink™ Wi-Fi® Embedded Programming

[SimpleLink™ CC3120, CC3220 Wi-Fi® Internet-on-a chip™ Networking Sub-System Power Management](#) This application report describes the best practices for power management and extended battery life for embedded low-power Wi-Fi devices such as the SimpleLink™ Wi-Fi® Internet-on-a chip™ solution from Texas Instruments™.

[SimpleLink™ CC3120, CC3220 Wi-Fi® Internet-on-a chip™ Solution Built-In Security Features](#) The SimpleLink™ Wi-Fi® CC3120 and CC3220 Internet-on-a chip™ family of devices from Texas Instruments™ offer a wide range of built-in security features to help developers address a variety of security needs, which is achieved without any processing burden on the main microcontroller (MCU). This document describes these security-related features and provides recommendations for leveraging each in the context of practical system implementation.

[SimpleLink™ CC3120, CC3220 Wi-Fi® and Internet of Things Over-the-Air Update](#) This document describes the OTA library for the SimpleLink™ Wi-Fi® CC3x20 family of devices from Texas Instruments™ and explains how to prepare a new cloud-ready update to be downloaded by the OTA library.

[SimpleLink™ CC3120, CC3220 Wi-Fi® Internet-on-a chip™ Solution Device Provisioning](#) This guide describes the provisioning process, which provides the SimpleLink™ Wi-Fi® device with the information (network name, password, and so forth) needed to connect to a wireless network.

[Transfer of TI's Wi-Fi® Alliance Certifications to Products Based on SimpleLink™](#) This document explains how to employ the Wi-Fi® Alliance (WFA) derivative certification transfer policy to transfer a WFA certification, already obtained by Texas Instruments, to a system you have developed.

[Using Serial Flash on SimpleLink™ CC3120 and CC3220 Wi-Fi® and Internet-of-Things Devices](#) This application note is divided into two parts. The first part provides important guidelines and best-practice design techniques to consider when choosing and embedding a serial Flash paired with the CC3120 and CC3220 (CC3x20) devices. The second part describes the file system, along with guidelines and considerations for system designers working with the CC3x20 devices.

User's Guides

[SimpleLink™ Wi-Fi® and Internet of Things CC3120 and CC3220 Network Processor](#) This document provides software (SW) programmers with all of the required knowledge for working with the networking subsystem of the SimpleLink™ Wi-Fi® devices. This guide provides basic guidelines for writing robust, optimized networking host applications, and describes the capabilities of the networking subsystem. The guide contains some example code snapshots, to give users an idea of how to work with the host driver. More comprehensive code examples can be found in the formal software development kit (SDK). This guide does not provide a detailed description of the host driver APIs.

[SimpleLink™ Wi-Fi® CC3120 and CC3220 and IoT Solution Layout Guidelines](#) This document provides the design guidelines of the 4-layer PCB used for the CC3120 and CC3220 SimpleLink™ Wi-Fi® family of devices from Texas Instruments™. The CC3120 and CC3220 devices are easy to lay out and are available in quad flat no-leads (QFNS) packages. When designing the board, follow the suggestions in this document to optimize performance of the board.

[SimpleLink™ Wi-Fi® and Internet of Things Solution CC3220, a Single-Chip Wireless MCU](#) This guide is intended to assist users in the initial setup and demonstration of running their first sample application for the CC3220, CC3220S, CC3220SF SimpleLink™ Wi-Fi® and Internet of Things Solution, a Single-Chip Wireless MCU from Texas Instruments™. The guide explains how to install the software development kit (SDK) and various other tools required to get started with the first application.

[SimpleLink™ CC3220 Wi-Fi® LaunchPad™ Development Kit Hardware](#) The CC3220 SimpleLink LaunchPad™ Development Kit (CC3220-LAUNCHXL) is a low-cost evaluation platform for Arm® Cortex®-M4-based MCUs. The LaunchPad design highlights the CC3220 Internet-on-a chip™ solution and Wi-Fi capabilities. The CC3220 LaunchPad also features temperature and accelerometer sensors, programmable user buttons, three LEDs for custom applications, and onboard emulation for debugging. The stackable headers of the CC3220 LaunchPad XL interface demonstrate how easy it is to expand the functionality of the LaunchPad when interfacing with other peripherals on many existing BoosterPack™ Plug-in Module add-on boards, such as graphical displays, audio codecs, antenna selection, environmental sensing, and more.

[SimpleLink™ Wi-Fi® and Internet of Things CC3220](#) This document introduces the user to the environment setup for the CC3220x device, along with some reference examples from the software development kit (SDK). This document explains both the platform and the framework available to enable further application development.

[SimpleLink™ Wi-Fi® CC3220 Out-of-Box Application](#) This guide demonstrates the out-of-box experience for the CC3220 LaunchPad™ Development Kit, highlighting the easy connection to the CC3220 LaunchPad using the SimpleLink™ Wi-Fi® Starter Pro application, and the over-the-air update.

[SimpleLink™ Wi-Fi® and Internet-on-a-chip™ CC3120 and CC3220 Solution Radio Tool](#) The Radio Tool serves as a control panel for direct access to the radio, and can be used for both the radio frequency (RF) evaluation and for certification purposes. This guide describes how to have the tool work seamlessly on Texas Instruments™ evaluation platforms such as the BoosterPack™ plus FTDI emulation board for CC3120 devices, and the LaunchPad™ for CC3220 devices.

[SimpleLink™ Wi-Fi® CC3120 and CC3220 Provisioning for Mobile Applications](#) This guide describes TI's SimpleLink™ Wi-Fi® provisioning solution for mobile applications, specifically on the usage of the Android™ and iOS® building blocks for UI requirements, networking, and provisioning APIs required for building the mobile application.

[SimpleLink™ Wi-Fi® CC3220 Out-of-Box Application](#) This guide details the out-of-box (OOB) experience with the CC3220 LaunchPad™ Development Kit from Texas Instruments™.

UniFlash CC3120 and CC3220 SimpleLink™ Wi-Fi® and Internet-on-a-chip™ Solution ImageCreator and Programming Tool This document describes the installation, operation, and usage of the SimpleLink ImageCreator tool as part of the UniFlash.

More Literature

CC3220, CC3220S, CC3220SF SimpleLink™ Wi-Fi® and Internet of Things This technical reference manual details the modules and peripherals of the SimpleLink™ CC32xx wireless MCU. Each description presents the module or peripheral in a general sense. Not all features and functions of all modules or peripherals may be present on all devices. Pin functions, internal signal connections, and operational parameters differ from device to device. The user should consult the device-specific data sheet for these details.

RemoTI Manifest

CC3120, CC3220 SimpleLink™ Wi-Fi® and Internet of Things Design Checklist

CC3220 SimpleLink™ Wi-Fi® and Internet of Things CC3220 hardware design files.

11.5 Support Resources

[TI E2E™ support forums](#) are an engineer's go-to source for fast, verified answers and design help — straight from the experts. Search existing answers or ask your own question to get the quick design help you need.

Linked content is provided "AS IS" by the respective contributors. They do not constitute TI specifications and do not necessarily reflect TI's views; see TI's [Terms of Use](#).

11.6 Trademarks

Wi-Fi CERTIFIED™, WPA™, WPA2™, WPA3™, and are trademarks of Wi-Fi Alliance.

SmartConfig™ is a trademark of TI.

SimpleLink™, LaunchPad™, Code Composer Studio™, and TI E2E™ are trademarks of Texas Instruments.

Macrocell™ is a trademark of Kappa Global Inc.

WiMAX™ are trademarks of WiMAX Forum.

Wi-Fi Alliance® and Wi-Fi Direct® are registered trademarks of Wi-Fi Alliance.

Arm®, Cortex®, and Thumb® are registered trademarks of Arm Limited.

Zigbee® are registered trademarks of Zigbee Alliance.

All trademarks are the property of their respective owners.

11.7 Electrostatic Discharge Caution



This integrated circuit can be damaged by ESD. Texas Instruments recommends that all integrated circuits be handled with appropriate precautions. Failure to observe proper handling and installation procedures can cause damage.

ESD damage can range from subtle performance degradation to complete device failure. Precision integrated circuits may be more susceptible to damage because very small parametric changes could cause the device not to meet its published specifications.

11.8 Export Control Notice

Recipient agrees to not knowingly export or re-export, directly or indirectly, any product or technical data (as defined by the U.S., EU, and other Export Administration Regulations) including software, or any controlled product restricted by other applicable national regulations, received from disclosing party under nondisclosure obligations (if any), or any direct product of such technology, to any destination to which such export or re-export is restricted or prohibited by U.S. or other applicable laws, without obtaining prior authorization from U.S. Department of Commerce and other competent Government authorities to the extent required by those laws.

11.9 Glossary

[TI Glossary](#) This glossary lists and explains terms, acronyms, and definitions.

12 Mechanical, Packaging, and Orderable Information

12.1 Packaging Information

The following pages include mechanical, packaging, and orderable information. This information is the most current data available for the designated devices. This data is subject to change without notice and revision of this document. For browser-based versions of this data sheet, refer to the left-hand navigation.

PACKAGING INFORMATION

| Orderable Device | Status (1) | Package Type | Package Drawing | Pins | Package Qty | Eco Plan (2) | Lead finish/ Ball material (6) | MSL Peak Temp (3) | Op Temp (°C) | Device Marking (4/5) | Samples |
|------------------|---------------|--------------|-----------------|------|-------------|-----------------|--------------------------------------|----------------------|--------------|-------------------------|-------------------------|
| CC3220RM2ARGKR | ACTIVE | VQFN | RGK | 64 | 2500 | RoHS & Green | NIPDAU NIPDAUAG | Level-3-260C-168 HR | -40 to 85 | CC3220R M2A | Samples |
| CC3220RM2ARGKT | ACTIVE | VQFN | RGK | 64 | 250 | RoHS & Green | NIPDAU NIPDAUAG | Level-3-260C-168 HR | -40 to 85 | CC3220R M2A | Samples |
| CC3220SF12ARGKR | ACTIVE | VQFN | RGK | 64 | 2500 | RoHS & Green | NIPDAU NIPDAUAG | Level-3-260C-168 HR | -40 to 85 | CC3220SF 12A | Samples |
| CC3220SF12ARGKT | ACTIVE | VQFN | RGK | 64 | 250 | RoHS & Green | NIPDAU NIPDAUAG | Level-3-260C-168 HR | -40 to 85 | CC3220SF 12A | Samples |
| CC3220SM2ARGKR | ACTIVE | VQFN | RGK | 64 | 2500 | RoHS & Green | NIPDAU NIPDAUAG | Level-3-260C-168 HR | -40 to 85 | CC3220S M2A | Samples |
| CC3220SM2ARGKT | ACTIVE | VQFN | RGK | 64 | 250 | RoHS & Green | NIPDAU NIPDAUAG | Level-3-260C-168 HR | -40 to 85 | CC3220S M2A | Samples |

(1) The marketing status values are defined as follows:

ACTIVE: Product device recommended for new designs.

LIFEBUY: TI has announced that the device will be discontinued, and a lifetime-buy period is in effect.

NRND: Not recommended for new designs. Device is in production to support existing customers, but TI does not recommend using this part in a new design.

PREVIEW: Device has been announced but is not in production. Samples may or may not be available.

OBSOLETE: TI has discontinued the production of the device.

(2) **RoHS:** TI defines "RoHS" to mean semiconductor products that are compliant with the current EU RoHS requirements for all 10 RoHS substances, including the requirement that RoHS substance do not exceed 0.1% by weight in homogeneous materials. Where designed to be soldered at high temperatures, "RoHS" products are suitable for use in specified lead-free processes. TI may reference these types of products as "Pb-Free".

RoHS Exempt: TI defines "RoHS Exempt" to mean products that contain lead but are compliant with EU RoHS pursuant to a specific EU RoHS exemption.

Green: TI defines "Green" to mean the content of Chlorine (Cl) and Bromine (Br) based flame retardants meet JS709B low halogen requirements of <=1000ppm threshold. Antimony trioxide based flame retardants must also meet the <=1000ppm threshold requirement.

(3) MSL, Peak Temp. - The Moisture Sensitivity Level rating according to the JEDEC industry standard classifications, and peak solder temperature.

(4) There may be additional marking, which relates to the logo, the lot trace code information, or the environmental category on the device.

(5) Multiple Device Markings will be inside parentheses. Only one Device Marking contained in parentheses and separated by a "~" will appear on a device. If a line is indented then it is a continuation of the previous line and the two combined represent the entire Device Marking for that device.

⁽⁶⁾ Lead finish/Ball material - Orderable Devices may have multiple material finish options. Finish options are separated by a vertical ruled line. Lead finish/Ball material values may wrap to two lines if the finish value exceeds the maximum column width.

Important Information and Disclaimer:The information provided on this page represents TI's knowledge and belief as of the date that it is provided. TI bases its knowledge and belief on information provided by third parties, and makes no representation or warranty as to the accuracy of such information. Efforts are underway to better integrate information from third parties. TI has taken and continues to take reasonable steps to provide representative and accurate information but may not have conducted destructive testing or chemical analysis on incoming materials and chemicals. TI and TI suppliers consider certain information to be proprietary, and thus CAS numbers and other limited information may not be available for release.

In no event shall TI's liability arising out of such information exceed the total purchase price of the TI part(s) at issue in this document sold by TI to Customer on an annual basis.

TAPE AND REEL INFORMATION

QUADRANT ASSIGNMENTS FOR PIN 1 ORIENTATION IN TAPE


*All dimensions are nominal

| Device | Package Type | Package Drawing | Pins | SPQ | Reel Diameter (mm) | Reel Width W1 (mm) | A0 (mm) | B0 (mm) | K0 (mm) | P1 (mm) | W (mm) | Pin1 Quadrant |
|-----------------|--------------|-----------------|------|------|--------------------|--------------------|---------|---------|---------|---------|--------|---------------|
| CC3220RM2ARGKR | VQFN | RGK | 64 | 2500 | 330.0 | 16.4 | 9.3 | 9.3 | 1.1 | 12.0 | 16.0 | Q2 |
| CC3220RM2ARGKT | VQFN | RGK | 64 | 250 | 180.0 | 16.4 | 9.3 | 9.3 | 1.1 | 12.0 | 16.0 | Q2 |
| CC3220SF12ARGKR | VQFN | RGK | 64 | 2500 | 330.0 | 16.4 | 9.3 | 9.3 | 1.1 | 12.0 | 16.0 | Q2 |
| CC3220SF12ARGKT | VQFN | RGK | 64 | 250 | 180.0 | 16.4 | 9.3 | 9.3 | 1.1 | 12.0 | 16.0 | Q2 |
| CC3220SM2ARGKR | VQFN | RGK | 64 | 2500 | 330.0 | 16.4 | 9.3 | 9.3 | 1.1 | 12.0 | 16.0 | Q2 |
| CC3220SM2ARGKT | VQFN | RGK | 64 | 250 | 180.0 | 16.4 | 9.3 | 9.3 | 1.1 | 12.0 | 16.0 | Q2 |

TAPE AND REEL BOX DIMENSIONS


*All dimensions are nominal

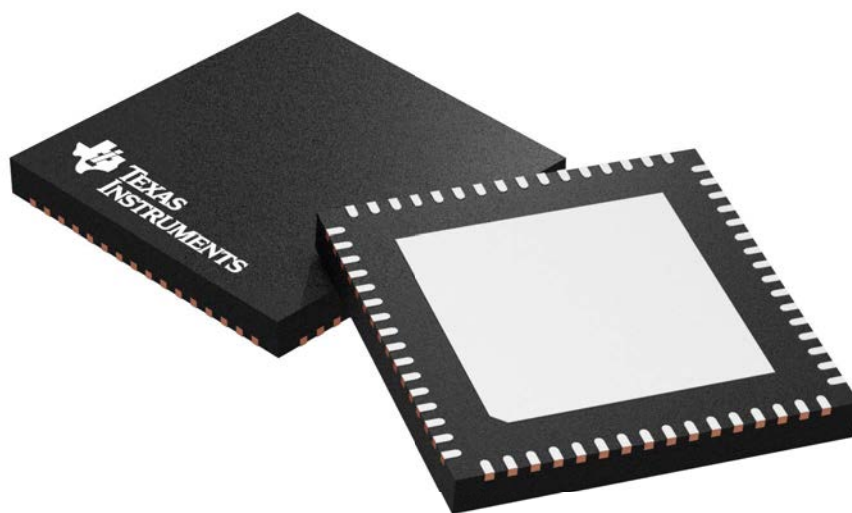
| Device | Package Type | Package Drawing | Pins | SPQ | Length (mm) | Width (mm) | Height (mm) |
|-----------------|--------------|-----------------|------|------|-------------|------------|-------------|
| CC3220RM2ARGKR | VQFN | RGK | 64 | 2500 | 367.0 | 367.0 | 38.0 |
| CC3220RM2ARGKT | VQFN | RGK | 64 | 250 | 210.0 | 185.0 | 35.0 |
| CC3220SF12ARGKR | VQFN | RGK | 64 | 2500 | 367.0 | 367.0 | 38.0 |
| CC3220SF12ARGKT | VQFN | RGK | 64 | 250 | 210.0 | 185.0 | 35.0 |
| CC3220SM2ARGKR | VQFN | RGK | 64 | 2500 | 367.0 | 367.0 | 38.0 |
| CC3220SM2ARGKT | VQFN | RGK | 64 | 250 | 210.0 | 185.0 | 35.0 |

RGK 64

GENERIC PACKAGE VIEW

VQFN - 1 mm max height

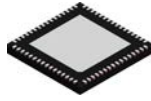
PLASTIC QUAD FLATPACK - NO LEAD



Images above are just a representation of the package family, actual package may vary.
Refer to the product data sheet for package details.

4211520/D

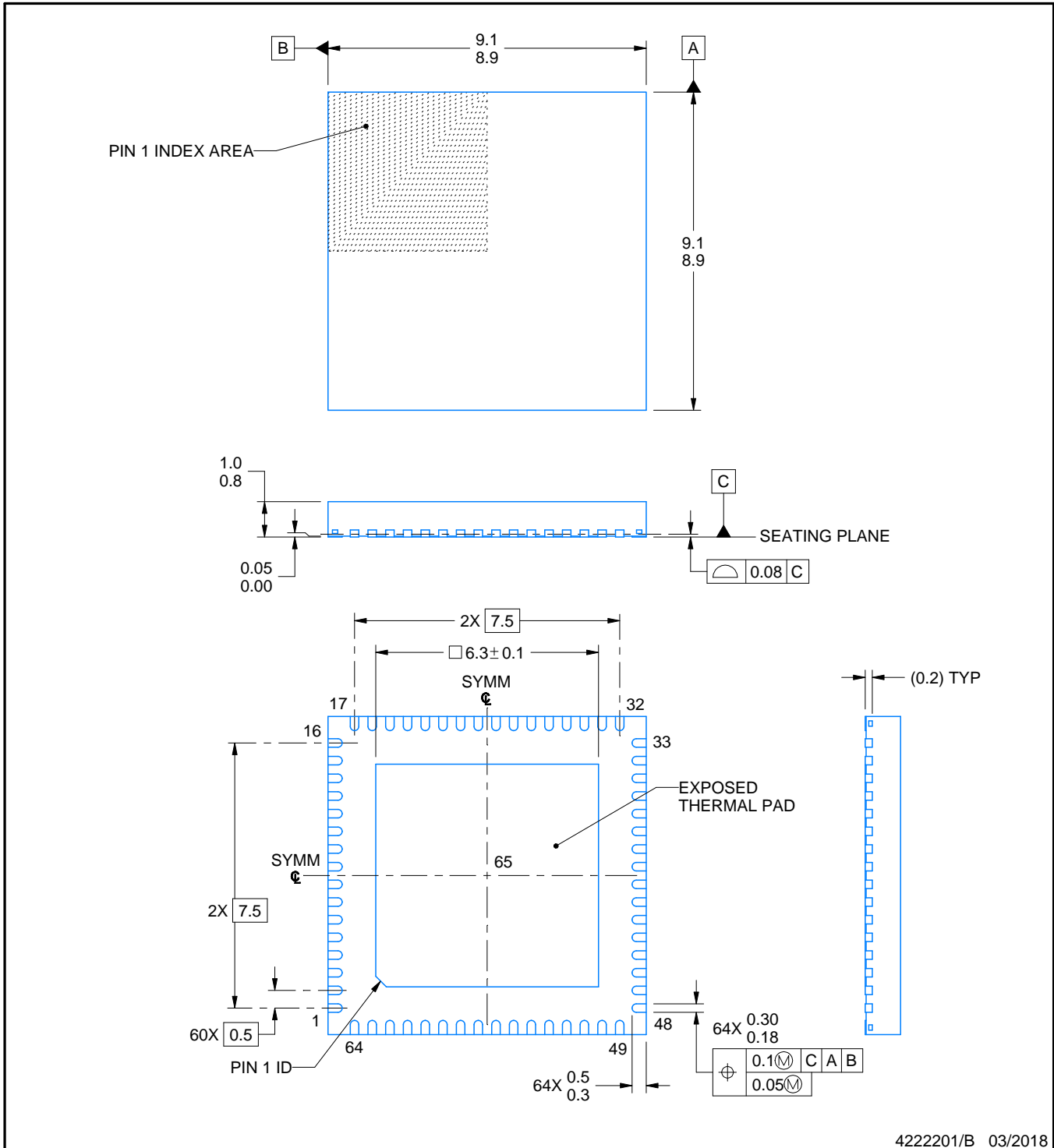
RGK0064B



PACKAGE OUTLINE

VQFN - 1 mm max height

PLASTIC QUAD FLATPACK - NO LEAD



4222201/B 03/2018

NOTES:

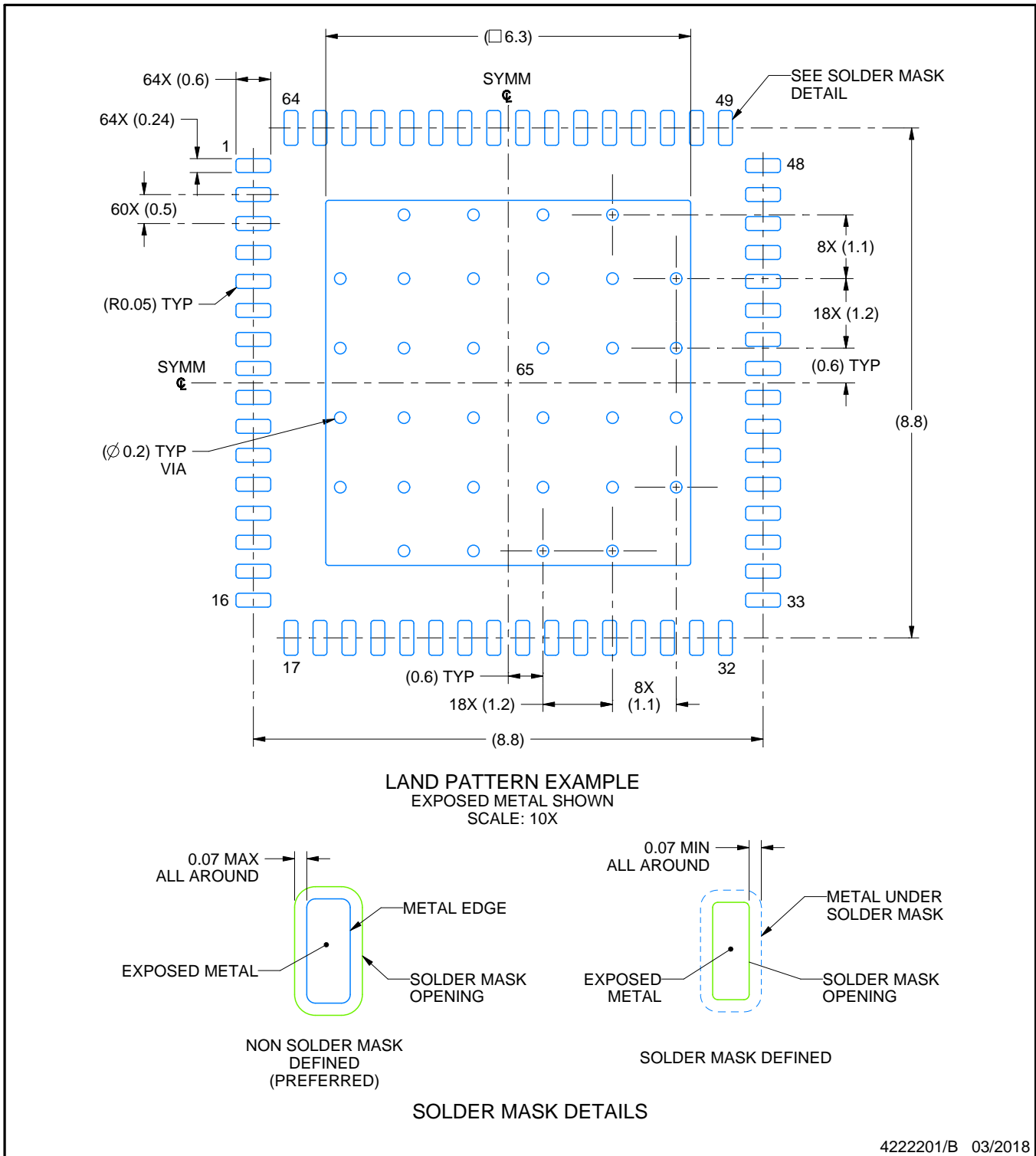
1. All linear dimensions are in millimeters. Any dimensions in parenthesis are for reference only. Dimensioning and tolerancing per ASME Y14.5M.
2. This drawing is subject to change without notice.
3. The package thermal pad must be soldered to the printed circuit board for thermal and mechanical performance.

EXAMPLE BOARD LAYOUT

RGK0064B

VQFN - 1 mm max height

PLASTIC QUAD FLATPACK - NO LEAD



NOTES: (continued)

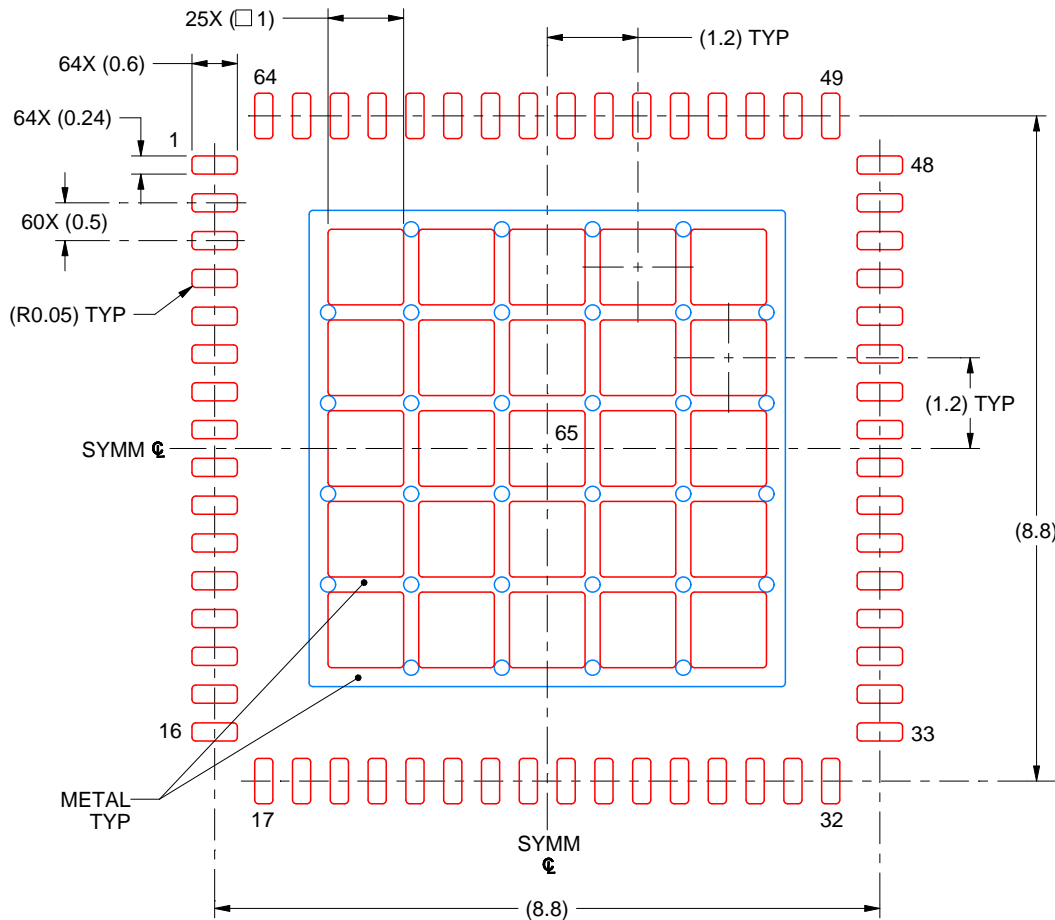
4. This package is designed to be soldered to a thermal pad on the board. For more information, see Texas Instruments literature number SLUA271 (www.ti.com/lit/sluea271).
5. Vias are optional depending on application, refer to device data sheet. If any vias are implemented, refer to their locations shown on this view. It is recommended that vias under paste be filled, plugged or tented.

EXAMPLE STENCIL DESIGN

RGK0064B

VQFN - 1 mm max height

PLASTIC QUAD FLATPACK - NO LEAD



SOLDER PASTE EXAMPLE
BASED ON 0.1 MM THICK STENCIL
SCALE: 10X

EXPOSED PAD 65
63% PRINTED SOLDER COVERAGE BY AREA UNDER PACKAGE

4222201/B 03/2018

NOTES: (continued)

6. Laser cutting apertures with trapezoidal walls and rounded corners may offer better paste release. IPC-7525 may have alternate design recommendations.

IMPORTANT NOTICE AND DISCLAIMER

TI PROVIDES TECHNICAL AND RELIABILITY DATA (INCLUDING DATA SHEETS), DESIGN RESOURCES (INCLUDING REFERENCE DESIGNS), APPLICATION OR OTHER DESIGN ADVICE, WEB TOOLS, SAFETY INFORMATION, AND OTHER RESOURCES "AS IS" AND WITH ALL FAULTS, AND DISCLAIMS ALL WARRANTIES, EXPRESS AND IMPLIED, INCLUDING WITHOUT LIMITATION ANY IMPLIED WARRANTIES OF MERCHANTABILITY, FITNESS FOR A PARTICULAR PURPOSE OR NON-INFRINGEMENT OF THIRD PARTY INTELLECTUAL PROPERTY RIGHTS.

These resources are intended for skilled developers designing with TI products. You are solely responsible for (1) selecting the appropriate TI products for your application, (2) designing, validating and testing your application, and (3) ensuring your application meets applicable standards, and any other safety, security, regulatory or other requirements.

These resources are subject to change without notice. TI grants you permission to use these resources only for development of an application that uses the TI products described in the resource. Other reproduction and display of these resources is prohibited. No license is granted to any other TI intellectual property right or to any third party intellectual property right. TI disclaims responsibility for, and you will fully indemnify TI and its representatives against, any claims, damages, costs, losses, and liabilities arising out of your use of these resources.

TI's products are provided subject to [TI's Terms of Sale](#) or other applicable terms available either on [ti.com](https://www.ti.com) or provided in conjunction with such TI products. TI's provision of these resources does not expand or otherwise alter TI's applicable warranties or warranty disclaimers for TI products.

TI objects to and rejects any additional or different terms you may have proposed.

Mailing Address: Texas Instruments, Post Office Box 655303, Dallas, Texas 75265
Copyright © 2023, Texas Instruments Incorporated