

# CDx4HC(T)541 High-Speed CMOS Logic Octal Buffer and Line Drivers Three-State

## 1 Features

- 'HC540, CD74HCT540: inverting
- 'HC541, 'HCT541: non-inverting
- Buffered inputs
- Three-state outputs
- Bus line driving capability
- Typical propagation delay = 9 ns at  $V_{CC} = 5\text{ V}$ ,  $C_L = 15\text{ pF}$ ,  $T_A = 25^\circ\text{C}$
- Fanout (over temperature range)
  - Standard outputs: 10 LSTTL loads
  - Bus driver outputs: 15 LSTTL loads
- Wide operating temperature range:  $-55^\circ\text{C}$  to  $125^\circ\text{C}$
- Balanced propagation delay and transition times
- Significant power reduction compared to LSTTL Logic ICs
- HC types
  - 2 V to 6 V operation
  - High noise immunity:  $N_{IL} = 30\%$ ,  $N_{IH} = 30\%$  of  $V_{CC}$  at  $V_{CC} = 5\text{ V}$
- HCT types
  - 4.5 V to 5.5 V operation
  - Direct LSTTL input logic compatibility,  $V_{IL} = 0.8\text{ V}$  (max),  $V_{IH} = 2\text{ V}$  (min)
  - CMOS input compatibility,  $I_I \leq 1\text{ }\mu\text{A}$  at  $V_{OL}$ ,  $V_{OH}$

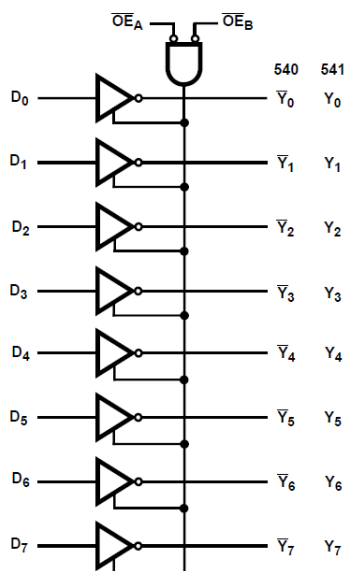
## 2 Description

The 'HC540 and CD74HCT540 are Inverting Octal Buffers and Line Drivers with Three-State Outputs and the capability to drive 15 LSTTL loads. The 'HC541 and 'HCT541 are Noninverting Octal Buffers and Line Drivers with Three-State Outputs that can drive 15 LSTTL loads. The Output Enables ( $\overline{OE1}$ ) and ( $\overline{OE2}$ ) control the Three-State Outputs. If either  $\overline{OE1}$  or  $\overline{OE2}$  is HIGH the outputs will be in the high impedance state. For data output  $\overline{OE1}$  and  $\overline{OE2}$  both must be LOW.

### Package Information

PART NUMBER	PACKAGE <sup>(1)</sup>	BODY SIZE (NOM)
CD74HC540M	SOIC (20)	12.80 mm × 7.50 mm
CD74HC540E	PDIP (20)	25.40 mm × 6.35 mm
CD54HC540F3A	CDIP (20)	26.92 mm × 6.92 mm
CD74HC541M	SOIC (20)	12.80 mm × 7.50 mm
CD74HC541E	PDIP (20)	25.40 mm × 6.35 mm
CD54HC541F	CDIP (20)	26.92 mm × 6.92 mm
CD74HCT540M	SOIC (20)	12.80 mm × 7.50 mm
CD74HCT540E	PDIP (20)	25.40 mm × 6.35 mm
CD74HCT541M	SOIC (20)	12.80 mm × 7.50 mm
CD74HCT541E	PDIP (20)	25.40 mm × 6.35 mm
CD54HCT541F	CDIP (20)	26.92 mm × 6.92 mm
CD74HCT541PW	TSSOP (20)	6.50 mm × 4.40 mm

(1) For all available packages, see the orderable addendum at the end of the data sheet.



Functional Diagram



## Table of Contents

<b>1 Features</b> .....	1	7.2 Functional Block Diagram.....	9
<b>2 Description</b> .....	1	7.3 Device Functional Modes.....	9
<b>3 Revision History</b> .....	2	<b>8 Power Supply Recommendations</b> .....	10
<b>4 Pin Configuration and Functions</b> .....	3	<b>9 Layout</b> .....	10
<b>5 Specifications</b> .....	4	9.1 Layout Guidelines.....	10
5.1 Absolute Maximum Ratings.....	4	<b>10 Device and Documentation Support</b> .....	11
5.2 Recommended Operating Conditions.....	4	10.1 Receiving Notification of Documentation Updates..	11
5.3 Thermal Information.....	4	10.2 Support Resources.....	11
5.4 Electrical Characteristics.....	5	10.3 Trademarks.....	11
5.5 Switching Characteristics.....	6	10.4 Electrostatic Discharge Caution.....	11
<b>6 Parameter Measurement Information</b> .....	8	10.5 Glossary.....	11
<b>7 Detailed Description</b> .....	9	<b>11 Mechanical, Packaging, and Orderable Information</b> .....	11
7.1 Overview.....	9		

### 3 Revision History

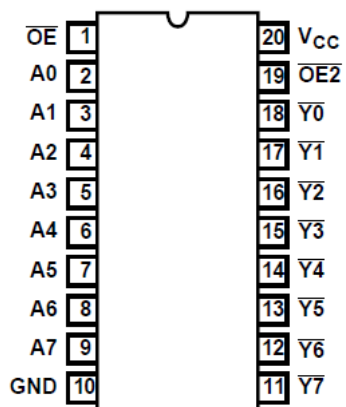
NOTE: Page numbers for previous revisions may differ from page numbers in the current version.

<b>Changes from Revision D (January 2022) to Revision E (October 2022)</b>	<b>Page</b>
• Increased R $\theta$ JA for packages: DW (58 to 109.1); N (69 to 84.6); PW (83 to 131.8).....	4

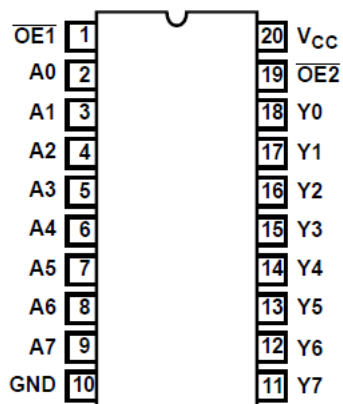
<b>Changes from Revision C (July 2004) to Revision D (January 2022)</b>	<b>Page</b>
• Updated the numbering, formatting, tables, figures, and cross-references throughout the document to reflect modern data sheet standards.....	1



## 4 Pin Configuration and Functions



**HC540**  
J, N, or DW package  
20-Pin CDIP, PDIP, or SOIC  
Top View



**HC541**  
J, N, DW, or PW  
20-Pin CDIP, PDIP, SOIC, or TSSOP  
Top View

## 5 Specifications

### 5.1 Absolute Maximum Ratings

over operating free-air temperature range (unless otherwise noted)<sup>(1)</sup>

		MIN	MAX	UNIT
V <sub>CC</sub>	Supply voltage	-0.5	7	V
I <sub>IK</sub>	Input diode current	For V <sub>I</sub> < -0.5 V or V <sub>I</sub> > V <sub>CC</sub> + 0.5 V		±20 mA
I <sub>OK</sub>	Output diode current	For V <sub>O</sub> < -0.5 V or V <sub>O</sub> > V <sub>CC</sub> + 0.5 V		±20 mA
I <sub>O</sub>	Drain current, per output	For -0.5 V < V <sub>O</sub> < V <sub>CC</sub> + 0.5 V		±35 mA
I <sub>O</sub>	Output source or sink current per output pin	For V <sub>O</sub> > -0.5 V or V <sub>O</sub> < V <sub>CC</sub> + 0.5 V		±25 mA
Continuous current through V <sub>CC</sub> or ground current				±50 mA
T <sub>J</sub>	Junction temperature			150 °C
T <sub>stg</sub>	Storage temperature range	-65	150	°C
Lead temperature (Soldering 10s) (SOIC - Lead Tips Only)				300 °C

- (1) Operation outside the *Absolute Maximum Ratings* may cause permanent device damage. Absolute maximum ratings do not imply functional operation of the device at these or any other conditions beyond those listed under *Recommended Operating Conditions*. If briefly operating outside the *Recommended Operating Conditions* but within the *Absolute Maximum Ratings*, the device may not sustain damage, but it may not be fully functional. Operating the device in this manner may affect device reliability, functionality, performance, and shorten the device lifetime.

### 5.2 Recommended Operating Conditions

		MIN	MAX	UNIT
T <sub>A</sub>	Temperature range	-55	125	°C
V <sub>CC</sub>	Supply voltage range	HC types	6	V
		HCT types	4.5	
V <sub>I</sub> , V <sub>O</sub>	Input or output voltage	0	V <sub>CC</sub>	V
	Input rise and fall time	2 V	1000	ns
		4.5 V	500	
		6 V	400	

### 5.3 Thermal Information

THERMAL METRIC		DW (SOIC)	N (PDIP)	PW (TSSOP)	UNIT
		20 PINS	20 PINS	20 PINS	
R <sub>θJA</sub>	Junction-to-ambient thermal resistance <sup>(1)</sup>	109.1	84.6	131.8	°C/W
R <sub>θJC(top)</sub>	Junction-to-case (top) thermal resistance	76	72.5	72.2	°C/W
R <sub>θJB</sub>	Junction-to-board thermal resistance	77.6	65.3	82.8	°C/W
Ψ <sub>JT</sub>	Junction-to-top characterization parameter	51.5	55.3	21.5	°C/W
Ψ <sub>JB</sub>	Junction-to-board characterization parameter	77.1	65.2	82.4	°C/W
R <sub>θJC(bot)</sub>	Junction-to-case (bottom) thermal resistance	N/A	N/A	N/A	°C/W

- (1) For more information about traditional and new thermal metrics, see the [Semiconductor and IC package thermal metrics](#) application report.

## 5.4 Electrical Characteristics

PARAMETER		TEST CONDITIONS <sup>(2)</sup>	V <sub>CC</sub> (V)	25°C			–40°C to 85°C		–55°C to 125°C		UNIT
				MIN	TYP	MAX	MIN	MAX	MIN	MAX	
<b>HC TYPES</b>											
V <sub>IH</sub>	High level input voltage		2	1.5		1.5		1.5		V	
			4.5	3.15		3.15		3.15			
			6	4.2		4.2		4.2			
V <sub>IL</sub>	Low level input voltage		2		0.5		0.5		0.5	V	
			4.5		1.35		1.35		1.35		
			6		1.8		1.8		1.8		
V <sub>OH</sub>	High level output voltage CMOS loads	I <sub>OH</sub> = – 20 μA	2	1.9		1.9		1.9	V		
		I <sub>OH</sub> = – 20 μA	4.5	4.4		4.4		4.4			
	High level output voltage TTL loads	I <sub>OH</sub> = – 20 μA	6	5.9		5.9		5.9			
		I <sub>OH</sub> = – 6 mA	4.5	3.98		3.84		3.7			
		I <sub>OH</sub> = – 7.8 mA	6	5.48		5.34		5.2			
V <sub>OL</sub>	Low level output voltage CMOS loads	I <sub>OL</sub> = 20 μA	2		0.1		0.1		0.1	V	
		I <sub>OL</sub> = 20 μA	4.5		0.1		0.1		0.1		
		I <sub>OL</sub> = 20 μA	6		0.1		0.1		0.1		
	Low level output voltage TTL loads	I <sub>OL</sub> = 6 mA	4.5		0.26		0.33		0.4		
		I <sub>OL</sub> = 7.8 mA	6		0.26		0.33		0.4		
I <sub>I</sub>	Input leakage current	V <sub>I</sub> = V <sub>CC</sub> or GND	6		±0.1		±1		±1	μA	
I <sub>CC</sub>	Quiescent device current	V <sub>I</sub> = V <sub>CC</sub> or GND	6		8		80		160	μA	
I <sub>OZ</sub>	Three-state leakage current	V <sub>O</sub> = V <sub>CC</sub> or GND	6		±0.5		±5.0		±10	μA	
<b>HCT TYPES</b>											
V <sub>IH</sub>	High level input voltage		4.5 to 5.5	2		2		2		V	
V <sub>IL</sub>	Low level input voltage		4.5 to 5.5		0.8		0.8		0.8	V	
V <sub>OH</sub>	High level output voltage CMOS loads	V <sub>OH</sub> = – 20 μA	4.5	4.4		4.4		4.4		V	
	High level output voltage TTL loads	V <sub>OH</sub> = – 6 mA	4.5	3.98		3.84		3.7			
V <sub>OL</sub>	Low level output voltage CMOS loads	V <sub>OL</sub> = 20 μA	4.5		0.1		0.1		0.1	V	
	Low level output voltage TTL loads	V <sub>OL</sub> = 6 mA	4.5		0.26		0.33		0.4		
I <sub>I</sub>	Input leakage current	V <sub>I</sub> = V <sub>CC</sub> and GND	5.5		±0.1		±1		±1	μA	
I <sub>CC</sub>	Quiescent device current	V <sub>I</sub> = V <sub>CC</sub> and GND	5.5		8		80		160	μA	
I <sub>OZ</sub>	Three-state leakage current	V <sub>O</sub> = V <sub>CC</sub> or GND	5.5		±0.5		±5.0		±10	μA	

## 5.4 Electrical Characteristics (continued)

PARAMETER		TEST CONDITIONS <sup>(2)</sup>	V <sub>CC</sub> (V)	25°C			–40°C to 85°C		–55°C to 125°C		UNIT
				MIN	TYP	MAX	MIN	MAX	MIN	MAX	
$\Delta I_{CC}$ <sup>(1)</sup>	HCT540 Additional quiescent device current per input pin	A0 - A7 inputs held at V <sub>CC</sub> -2.1	4.5 to 5.5		100	360		450		490	μA
		$\overline{OE}2$ input held at V <sub>CC</sub> -2.1	4.5 to 5.5		100	270		337.5		367.5	μA
		$\overline{OE}1$ input held at V <sub>CC</sub> -2.1	4.5 to 5.5		100	414		517.5		563.5	μA
	HCT541 Additional quiescent device current per input pin	A0 - A7 inputs held at V <sub>CC</sub> -2.1	4.5 to 5.5		100	144		180		196	μA
		$\overline{OE}2$ input held at V <sub>CC</sub> -2.1	4.5 to 5.5		100	270		337.5		367.5	μA
		$\overline{OE}1$ input held at V <sub>CC</sub> -2.1	4.5 to 5.5		100	414		517.5		563.5	μA

(1) For dual-supply systems theoretical worst case (V<sub>I</sub> = 2.4 V, V<sub>CC</sub> = 5.5 V) specification is 1.8mA.

(2) V<sub>I</sub> = V<sub>IH</sub> or V<sub>OL</sub>, unless otherwise noted.

## 5.5 Switching Characteristics

PARAMETER		TEST CONDITIONS	V <sub>CC</sub> (V)	25°C			–40°C to 85°C		–55°C to 125°C		UNIT
				MIN	TYP	MAX	MIN	MAX	MIN	MAX	
<b>HC TYPES</b>											
t <sub>PLH</sub> , t <sub>PHL</sub>	Propagation delay Data to outputs (540)	C <sub>L</sub> = 50 pF	2			110		140		165	ns
			4.5			22		28	33		
		C <sub>L</sub> = 15 pF	5		9						ns
t <sub>PLZ</sub> , t <sub>PHZ</sub>	Data to outputs (541)	C <sub>L</sub> = 50 pF	2			115		145		175	ns
			4.5			23		29	35		
		C <sub>L</sub> = 50 pF	6		19		24		28		ns
t <sub>PLZ</sub> , t <sub>PHZ</sub>	Output enable and disable to outputs (540)	C <sub>L</sub> = 50 pF	2			160		200		240	ns
			4.5			32		40	48		
		C <sub>L</sub> = 15 pF	5		13						ns
t <sub>PLZ</sub> , t <sub>PHZ</sub>	Output enable and disable to outputs (541)	C <sub>L</sub> = 50 pF	2			160		200		240	ns
			4.5			32		40	48		
		C <sub>L</sub> = 15 pF	5		14						ns
t <sub>THL</sub> , t <sub>TLH</sub>	Output transition time	C <sub>L</sub> = 50 pF	2			60		75		90	ns
			4.5			12		15		18	
			6			10		13		15	
C <sub>I</sub>	Input capacitance	C <sub>L</sub> = 50 pF		10		10		10		10	pF
C <sub>O</sub>	Three-state output capacitance			20		20		20		20	pF
C <sub>PD</sub>	Power dissipation capacitance <sup>(1) (2)</sup> (540)	C <sub>L</sub> = 15 pF	5		50						pF
C <sub>PD</sub>	Power dissipation capacitance <sup>(1) (2)</sup> (541)	C <sub>L</sub> = 15 pF	5		48						pF
<b>HCT TYPES</b>											
t <sub>PHL</sub> , t <sub>PLH</sub>	Propagation delay Data to outputs (540)	C <sub>L</sub> = 50 pF	4.5			24		30		36	ns
		C <sub>L</sub> = 15 pF	5		9						

**5.5 Switching Characteristics (continued)**

PARAMETER		TEST CONDITIONS	V <sub>CC</sub> (V)	25°C			–40°C to 85°C		–55°C to 125°C		UNIT
				MIN	TYP	MAX	MIN	MAX	MIN	MAX	
t <sub>PHL</sub> , t <sub>PLH</sub>	Data to outputs (541)	C <sub>L</sub> = 50 pF	4.5		28		35		42	ns	
		C <sub>L</sub> = 15 pF	5		11						
t <sub>PLZ</sub> , t <sub>PHZ</sub>	Output enable and disable to outputs (540, 541)	C <sub>L</sub> = 50 pF	4.5		35		44		53	ns	
		C <sub>L</sub> = 15 pF	5		14						
t <sub>TLH</sub> , t <sub>THL</sub>	Output transition time	C <sub>L</sub> = 50 pF	4.5		12		15		18	ns	
C <sub>I</sub>	Input capacitance	C <sub>L</sub> = 50 pF		10	10		10		10	pF	
C <sub>O</sub>	Three-state output capacitance			20	20		20		20	pF	
C <sub>PD</sub>	Power dissipation capacitance <sup>(1) (2)</sup> (540, 541)	C <sub>L</sub> = 15 pF	5		55					pF	

(1) C<sub>PD</sub> is used to determine the dynamic power consumption, per channel.

(2)  $P_D = V_{CC}^2 f_i (C_{PD} + C_L)$  where  $f_i$  = input frequency,  $C_L$  = output load capacitance,  $V_{CC}$  = supply voltage.

## 6 Parameter Measurement Information

$t_{pd}$  is the maximum between  $t_{PLH}$  and  $t_{PHL}$

$t_t$  is the maximum between  $t_{TLH}$  and  $t_{THL}$

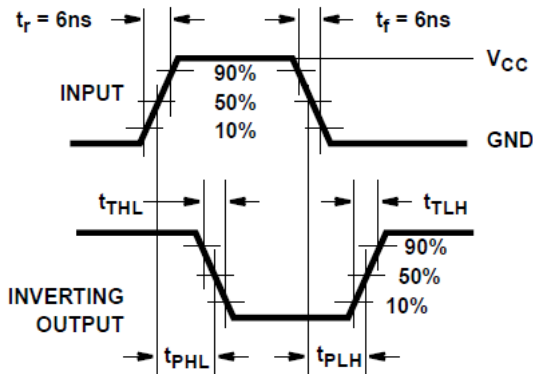


Figure 6-1. HC Transition Times and Propagation Delay Times, Combination Logic

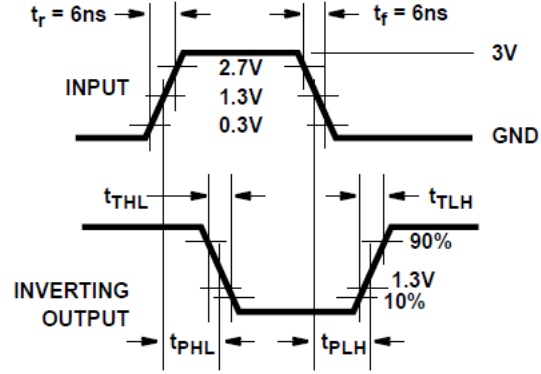


Figure 6-2. HCT Transition Times and Propagation Delay Times, combination Logic

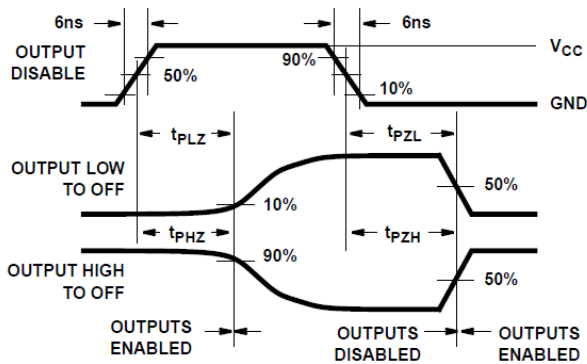


Figure 6-3. HC Three-State Propagation Delay Waveform

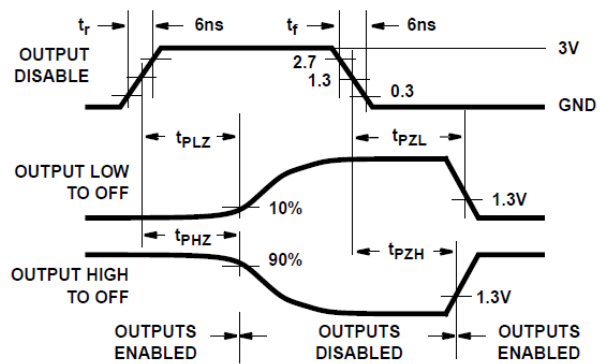
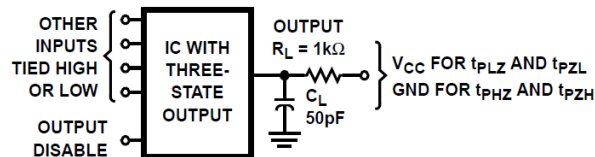


Figure 6-4. HCT Three-State Propagation Delay Waveform



- A. Open drain waveforms  $t_{PLZ}$  and  $t_{PZL}$  are the same as those for three-state shown on the left. The test circuit is Output  $R_L = 1k\Omega$   $V_{CC}$ ,  $C_L = 50$  pF.

Figure 6-5. HC and HCT Three-State Propagation Delay Test Circuit

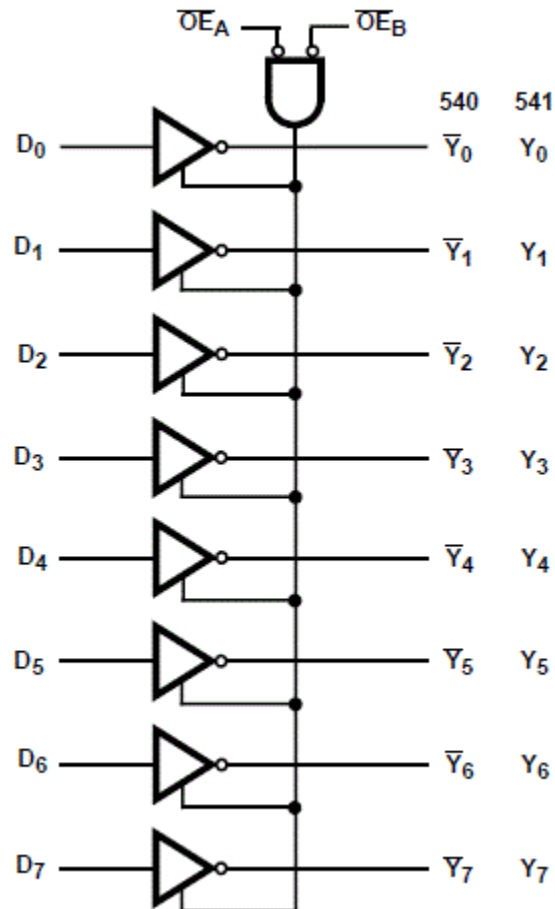


## 7 Detailed Description

### 7.1 Overview

The 'HC540 and CD74HCT540 are Inverting Octal Buffers and Line Drivers with Three-State Outputs and the capability to drive 15 LSTTL loads. The 'HC541 and 'HCT541 are Noninverting Octal Buffers and Line Drivers with Three-State Outputs that can drive 15 LSTTL loads. The Output Enables ( $\overline{OE1}$ ) and ( $\overline{OE2}$ ) control the Three-State Outputs. If either  $\overline{OE1}$  or  $\overline{OE2}$  is HIGH the outputs will be in the high impedance state. For data output  $\overline{OE1}$  and  $\overline{OE2}$  both must be LOW.

### 7.2 Functional Block Diagram



### 7.3 Device Functional Modes

Table 7-1. Truth Table<sup>(1)</sup>

INPUTS			OUTPUTS	
$\overline{OE1}$	$\overline{OE2}$	$A_n$	540	541
L	L	H	L	H
H	X	X	Z	Z
X	H	X	Z	Z
L	L	L	H	L

(1) H = high voltage level, L = low voltage level, X = don't care, Z = high impedance

## 8 Power Supply Recommendations

The power supply can be any voltage between the minimum and maximum supply voltage rating located in the *Recommended Operating Conditions*. Each  $V_{CC}$  terminal should have a good bypass capacitor to prevent power disturbance. A 0.1- $\mu\text{F}$  capacitor is recommended for this device. It is acceptable to parallel multiple bypass capacitors to reject different frequencies of noise. The 0.1- $\mu\text{F}$  and 1- $\mu\text{F}$  capacitors are commonly used in parallel. The bypass capacitor should be installed as close to the power terminal as possible for best results.

## 9 Layout

### 9.1 Layout Guidelines

When using multiple-input and multiple-channel logic devices, inputs must not ever be left floating. In many cases, functions or parts of functions of digital logic devices are unused; for example, when only two inputs of a triple-input AND gate are used or only 3 of the 4 buffer gates are used. Such unused input pins must not be left unconnected because the undefined voltages at the outside connections result in undefined operational states. All unused inputs of digital logic devices must be connected to a logic high or logic low voltage, as defined by the input voltage specifications, to prevent them from floating. The logic level that must be applied to any particular unused input depends on the function of the device. Generally, the inputs are tied to GND or  $V_{CC}$ , whichever makes more sense for the logic function or is more convenient.

## 10 Device and Documentation Support

TI offers an extensive line of development tools. Tools and software to evaluate the performance of the device, generate code, and develop solutions are listed below.

### 10.1 Receiving Notification of Documentation Updates

To receive notification of documentation updates, navigate to the device product folder on [ti.com](http://ti.com). Click on *Subscribe to updates* to register and receive a weekly digest of any product information that has changed. For change details, review the revision history included in any revised document.

### 10.2 Support Resources

TI E2E™ [support forums](#) are an engineer's go-to source for fast, verified answers and design help — straight from the experts. Search existing answers or ask your own question to get the quick design help you need.

Linked content is provided "AS IS" by the respective contributors. They do not constitute TI specifications and do not necessarily reflect TI's views; see TI's [Terms of Use](#).

### 10.3 Trademarks

TI E2E™ is a trademark of Texas Instruments.

All trademarks are the property of their respective owners.

### 10.4 Electrostatic Discharge Caution



This integrated circuit can be damaged by ESD. Texas Instruments recommends that all integrated circuits be handled with appropriate precautions. Failure to observe proper handling and installation procedures can cause damage.

ESD damage can range from subtle performance degradation to complete device failure. Precision integrated circuits may be more susceptible to damage because very small parametric changes could cause the device not to meet its published specifications.

### 10.5 Glossary

[TI Glossary](#) This glossary lists and explains terms, acronyms, and definitions.

## 11 Mechanical, Packaging, and Orderable Information

The following pages include mechanical, packaging, and orderable information. This information is the most current data available for the designated devices. This data is subject to change without notice and revision of this document. For browser-based versions of this data sheet, refer to the left-hand navigation.

**PACKAGING INFORMATION**

Orderable part number	Status (1)	Material type (2)	Package   Pins	Package qty   Carrier	RoHS (3)	Lead finish/ Ball material (4)	MSL rating/ Peak reflow (5)	Op temp (°C)	Part marking (6)
<a href="#">CD54HC540F3A</a>	Active	Production	CDIP (J)   20	20   TUBE	No	SNPB	N/A for Pkg Type	-55 to 125	CD54HC540F3A
CD54HC540F3A.A	Active	Production	CDIP (J)   20	20   TUBE	No	SNPB	N/A for Pkg Type	-55 to 125	CD54HC540F3A
<a href="#">CD54HC541F</a>	Active	Production	CDIP (J)   20	20   TUBE	No	SNPB	N/A for Pkg Type	-55 to 125	CD54HC541F
CD54HC541F.A	Active	Production	CDIP (J)   20	20   TUBE	No	SNPB	N/A for Pkg Type	-55 to 125	CD54HC541F
<a href="#">CD54HC541F3A</a>	Active	Production	CDIP (J)   20	20   TUBE	No	SNPB	N/A for Pkg Type	-55 to 125	CD54HC541F3A
CD54HC541F3A.A	Active	Production	CDIP (J)   20	20   TUBE	No	SNPB	N/A for Pkg Type	-55 to 125	CD54HC541F3A
<a href="#">CD54HCT541F</a>	Active	Production	CDIP (J)   20	20   TUBE	No	SNPB	N/A for Pkg Type	-55 to 125	CD54HCT541F
CD54HCT541F.A	Active	Production	CDIP (J)   20	20   TUBE	No	SNPB	N/A for Pkg Type	-55 to 125	CD54HCT541F
<a href="#">CD54HCT541F3A</a>	Active	Production	CDIP (J)   20	20   TUBE	No	SNPB	N/A for Pkg Type	-55 to 125	CD54HCT541F3A
CD54HCT541F3A.A	Active	Production	CDIP (J)   20	20   TUBE	No	SNPB	N/A for Pkg Type	-55 to 125	CD54HCT541F3A
<a href="#">CD74HC540E</a>	Active	Production	PDIP (N)   20	20   TUBE	Yes	NIPDAU	N/A for Pkg Type	-55 to 125	CD74HC540E
CD74HC540E.A	Active	Production	PDIP (N)   20	20   TUBE	Yes	NIPDAU	N/A for Pkg Type	-55 to 125	CD74HC540E
<a href="#">CD74HC540M</a>	Obsolete	Production	SOIC (DW)   20	-	-	Call TI	Call TI	-55 to 125	HC540M
<a href="#">CD74HC540M96</a>	NRND	Production	SOIC (DW)   20	2000   LARGE T&R	Yes	NIPDAU	Level-1-260C-UNLIM	-55 to 125	HC540M
CD74HC540M96.A	NRND	Production	SOIC (DW)   20	2000   LARGE T&R	Yes	NIPDAU	Level-1-260C-UNLIM	-55 to 125	HC540M
<a href="#">CD74HC541E</a>	Active	Production	PDIP (N)   20	20   TUBE	Yes	NIPDAU	N/A for Pkg Type	-55 to 125	CD74HC541E
CD74HC541E.A	Active	Production	PDIP (N)   20	20   TUBE	Yes	NIPDAU	N/A for Pkg Type	-55 to 125	CD74HC541E
CD74HC541EE4	Active	Production	PDIP (N)   20	20   TUBE	Yes	NIPDAU	N/A for Pkg Type	-55 to 125	CD74HC541E
<a href="#">CD74HC541M</a>	Obsolete	Production	SOIC (DW)   20	-	-	Call TI	Call TI	-55 to 125	HC541M
<a href="#">CD74HC541M96</a>	Active	Production	SOIC (DW)   20	2000   LARGE T&R	Yes	NIPDAU	Level-1-260C-UNLIM	-55 to 125	HC541M
CD74HC541M96.A	Active	Production	SOIC (DW)   20	2000   LARGE T&R	Yes	NIPDAU	Level-1-260C-UNLIM	-55 to 125	HC541M
CD74HC541M96G4	Active	Production	SOIC (DW)   20	2000   LARGE T&R	Yes	NIPDAU	Level-1-260C-UNLIM	-55 to 125	HC541M
<a href="#">CD74HC541PW</a>	Obsolete	Production	TSSOP (PW)   20	-	-	Call TI	Call TI	-55 to 125	HJ541
<a href="#">CD74HC541PWR</a>	Active	Production	TSSOP (PW)   20	2000   LARGE T&R	Yes	NIPDAU	Level-1-260C-UNLIM	-55 to 125	HJ541
CD74HC541PWR.A	Active	Production	TSSOP (PW)   20	2000   LARGE T&R	Yes	NIPDAU	Level-1-260C-UNLIM	-55 to 125	HJ541
<a href="#">CD74HCT540E</a>	Active	Production	PDIP (N)   20	20   TUBE	Yes	NIPDAU	N/A for Pkg Type	-55 to 125	CD74HCT540E
CD74HCT540E.A	Active	Production	PDIP (N)   20	20   TUBE	Yes	NIPDAU	N/A for Pkg Type	-55 to 125	CD74HCT540E
<a href="#">CD74HCT540M</a>	Obsolete	Production	SOIC (DW)   20	-	-	Call TI	Call TI	-55 to 125	HCT540M
<a href="#">CD74HCT540M96</a>	Active	Production	SOIC (DW)   20	2000   LARGE T&R	Yes	NIPDAU	Level-1-260C-UNLIM	-55 to 125	HCT540M

Orderable part number	Status (1)	Material type (2)	Package   Pins	Package qty   Carrier	RoHS (3)	Lead finish/ Ball material (4)	MSL rating/ Peak reflow (5)	Op temp (°C)	Part marking (6)
CD74HCT540M96.A	Active	Production	SOIC (DW)   20	2000   LARGE T&R	Yes	NIPDAU	Level-1-260C-UNLIM	-55 to 125	HCT540M
<a href="#">CD74HCT541E</a>	Active	Production	PDIP (N)   20	20   TUBE	Yes	NIPDAU	N/A for Pkg Type	-55 to 125	CD74HCT541E
CD74HCT541E.A	Active	Production	PDIP (N)   20	20   TUBE	Yes	NIPDAU	N/A for Pkg Type	-55 to 125	CD74HCT541E
<a href="#">CD74HCT541M96</a>	Active	Production	SOIC (DW)   20	2000   LARGE T&R	Yes	NIPDAU	Level-1-260C-UNLIM	-55 to 125	HCT541M
CD74HCT541M96.A	Active	Production	SOIC (DW)   20	2000   LARGE T&R	Yes	NIPDAU	Level-1-260C-UNLIM	-55 to 125	HCT541M
CD74HCT541M96E4	Active	Production	SOIC (DW)   20	2000   LARGE T&R	Yes	NIPDAU	Level-1-260C-UNLIM	-55 to 125	HCT541M
CD74HCT541M96G4	Active	Production	SOIC (DW)   20	2000   LARGE T&R	Yes	NIPDAU	Level-1-260C-UNLIM	-55 to 125	HCT541M

(1) **Status:** For more details on status, see our [product life cycle](#).

(2) **Material type:** When designated, preproduction parts are prototypes/experimental devices, and are not yet approved or released for full production. Testing and final process, including without limitation quality assurance, reliability performance testing, and/or process qualification, may not yet be complete, and this item is subject to further changes or possible discontinuation. If available for ordering, purchases will be subject to an additional waiver at checkout, and are intended for early internal evaluation purposes only. These items are sold without warranties of any kind.

(3) **RoHS values:** Yes, No, RoHS Exempt. See the [TI RoHS Statement](#) for additional information and value definition.

(4) **Lead finish/Ball material:** Parts may have multiple material finish options. Finish options are separated by a vertical ruled line. Lead finish/Ball material values may wrap to two lines if the finish value exceeds the maximum column width.

(5) **MSL rating/Peak reflow:** The moisture sensitivity level ratings and peak solder (reflow) temperatures. In the event that a part has multiple moisture sensitivity ratings, only the lowest level per JEDEC standards is shown. Refer to the shipping label for the actual reflow temperature that will be used to mount the part to the printed circuit board.

(6) **Part marking:** There may be an additional marking, which relates to the logo, the lot trace code information, or the environmental category of the part.

Multiple part markings will be inside parentheses. Only one part marking contained in parentheses and separated by a "-" will appear on a part. If a line is indented then it is a continuation of the previous line and the two combined represent the entire part marking for that device.

**Important Information and Disclaimer:** The information provided on this page represents TI's knowledge and belief as of the date that it is provided. TI bases its knowledge and belief on information provided by third parties, and makes no representation or warranty as to the accuracy of such information. Efforts are underway to better integrate information from third parties. TI has taken and continues to take reasonable steps to provide representative and accurate information but may not have conducted destructive testing or chemical analysis on incoming materials and chemicals. TI and TI suppliers consider certain information to be proprietary, and thus CAS numbers and other limited information may not be available for release.

In no event shall TI's liability arising out of such information exceed the total purchase price of the TI part(s) at issue in this document sold by TI to Customer on an annual basis.

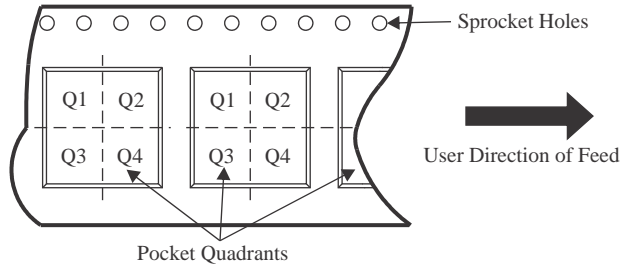
**OTHER QUALIFIED VERSIONS OF CD54HC540, CD54HC541, CD54HCT541, CD74HC540, CD74HC541, CD74HCT541 :**

- Catalog : [CD74HC540](#), [CD74HC541](#), [CD74HCT541](#)
- Military : [CD54HC540](#), [CD54HC541](#), [CD54HCT541](#)

## NOTE: Qualified Version Definitions:

- Catalog - TI's standard catalog product
- Military - QML certified for Military and Defense Applications

**TAPE AND REEL INFORMATION**

**QUADRANT ASSIGNMENTS FOR PIN 1 ORIENTATION IN TAPE**


\*All dimensions are nominal

Device	Package Type	Package Drawing	Pins	SPQ	Reel Diameter (mm)	Reel Width W1 (mm)	A0 (mm)	B0 (mm)	K0 (mm)	P1 (mm)	W (mm)	Pin1 Quadrant
CD74HC540M96	SOIC	DW	20	2000	330.0	24.4	10.8	13.3	2.7	12.0	24.0	Q1
CD74HC541M96	SOIC	DW	20	2000	330.0	24.4	10.8	13.3	2.7	12.0	24.0	Q1
CD74HC541PWR	TSSOP	PW	20	2000	330.0	16.4	6.95	7.0	1.4	8.0	16.0	Q1
CD74HCT540M96	SOIC	DW	20	2000	330.0	24.4	10.9	13.3	2.7	12.0	24.0	Q1
CD74HCT540M96	SOIC	DW	20	2000	330.0	24.4	10.8	13.3	2.7	12.0	24.0	Q1
CD74HCT541M96	SOIC	DW	20	2000	330.0	24.4	10.9	13.3	2.7	12.0	24.0	Q1
CD74HCT541M96	SOIC	DW	20	2000	330.0	24.4	10.8	13.3	2.7	12.0	24.0	Q1

**TAPE AND REEL BOX DIMENSIONS**


\*All dimensions are nominal

Device	Package Type	Package Drawing	Pins	SPQ	Length (mm)	Width (mm)	Height (mm)
CD74HC540M96	SOIC	DW	20	2000	356.0	356.0	45.0
CD74HC541M96	SOIC	DW	20	2000	356.0	356.0	45.0
CD74HC541PWR	TSSOP	PW	20	2000	353.0	353.0	32.0
CD74HCT540M96	SOIC	DW	20	2000	356.0	356.0	45.0
CD74HCT540M96	SOIC	DW	20	2000	356.0	356.0	45.0
CD74HCT541M96	SOIC	DW	20	2000	356.0	356.0	45.0
CD74HCT541M96	SOIC	DW	20	2000	356.0	356.0	45.0

**TUBE**


\*All dimensions are nominal

Device	Package Name	Package Type	Pins	SPQ	L (mm)	W (mm)	T (µm)	B (mm)
CD74HC540E	N	PDIP	20	20	506	13.97	11230	4.32
CD74HC540E.A	N	PDIP	20	20	506	13.97	11230	4.32
CD74HC541E	N	PDIP	20	20	506	13.97	11230	4.32
CD74HC541E.A	N	PDIP	20	20	506	13.97	11230	4.32
CD74HC541EE4	N	PDIP	20	20	506	13.97	11230	4.32
CD74HCT540E	N	PDIP	20	20	506	13.97	11230	4.32
CD74HCT540E.A	N	PDIP	20	20	506	13.97	11230	4.32
CD74HCT541E	N	PDIP	20	20	506	13.97	11230	4.32
CD74HCT541E.A	N	PDIP	20	20	506	13.97	11230	4.32



# EXAMPLE BOARD LAYOUT

PW0020A

TSSOP - 1.2 mm max height

SMALL OUTLINE PACKAGE



LAND PATTERN EXAMPLE  
EXPOSED METAL SHOWN  
SCALE: 10X



SOLDER MASK DETAILS

4220206/A 02/2017

NOTES: (continued)

- 6. Publication IPC-7351 may have alternate designs.
- 7. Solder mask tolerances between and around signal pads can vary based on board fabrication site.

# EXAMPLE STENCIL DESIGN

PW0020A

TSSOP - 1.2 mm max height

SMALL OUTLINE PACKAGE



SOLDER PASTE EXAMPLE  
BASED ON 0.125 mm THICK STENCIL  
SCALE: 10X

4220206/A 02/2017

NOTES: (continued)

8. Laser cutting apertures with trapezoidal walls and rounded corners may offer better paste release. IPC-7525 may have alternate design recommendations.
9. Board assembly site may have different recommendations for stencil design.

# J (R-GDIP-T\*\*)

14 LEADS SHOWN

# CERAMIC DUAL IN-LINE PACKAGE



DIM \ PINS **	14	16	18	20
A	0.300 (7,62) BSC	0.300 (7,62) BSC	0.300 (7,62) BSC	0.300 (7,62) BSC
B MAX	0.785 (19,94)	.840 (21,34)	0.960 (24,38)	1.060 (26,92)
B MIN	—	—	—	—
C MAX	0.300 (7,62)	0.300 (7,62)	0.310 (7,87)	0.300 (7,62)
C MIN	0.245 (6,22)	0.245 (6,22)	0.220 (5,59)	0.245 (6,22)



4040083/F 03/03

- NOTES:
- All linear dimensions are in inches (millimeters).
  - This drawing is subject to change without notice.
  - This package is hermetically sealed with a ceramic lid using glass frit.
  - Index point is provided on cap for terminal identification only on press ceramic glass frit seal only.
  - Falls within MIL STD 1835 GDIP1-T14, GDIP1-T16, GDIP1-T18 and GDIP1-T20.

N (R-PDIP-T\*\*)

PLASTIC DUAL-IN-LINE PACKAGE

16 PINS SHOWN



- NOTES:
- A. All linear dimensions are in inches (millimeters).
  - B. This drawing is subject to change without notice.
  - C Falls within JEDEC MS-001, except 18 and 20 pin minimum body length (Dim A).
  - D The 20 pin end lead shoulder width is a vendor option, either half or full width.

4040049/E 12/2002

# DW0020A



# PACKAGE OUTLINE

## SOIC - 2.65 mm max height

SOIC



**NOTES:**

1. All linear dimensions are in millimeters. Dimensions in parenthesis are for reference only. Dimensioning and tolerancing per ASME Y14.5M.
2. This drawing is subject to change without notice.
3. This dimension does not include mold flash, protrusions, or gate burrs. Mold flash, protrusions, or gate burrs shall not exceed 0.15 mm per side.
4. This dimension does not include interlead flash. Interlead flash shall not exceed 0.43 mm per side.
5. Reference JEDEC registration MS-013.

# EXAMPLE BOARD LAYOUT

DW0020A

SOIC - 2.65 mm max height

SOIC



LAND PATTERN EXAMPLE  
SCALE:6X



SOLDER MASK DETAILS

4220724/A 05/2016

NOTES: (continued)

- 6. Publication IPC-7351 may have alternate designs.
- 7. Solder mask tolerances between and around signal pads can vary based on board fabrication site.

# EXAMPLE STENCIL DESIGN

DW0020A

SOIC - 2.65 mm max height

SOIC



SOLDER PASTE EXAMPLE  
BASED ON 0.125 mm THICK STENCIL  
SCALE:6X

4220724/A 05/2016

NOTES: (continued)

8. Laser cutting apertures with trapezoidal walls and rounded corners may offer better paste release. IPC-7525 may have alternate design recommendations.
9. Board assembly site may have different recommendations for stencil design.

## IMPORTANT NOTICE AND DISCLAIMER

TI PROVIDES TECHNICAL AND RELIABILITY DATA (INCLUDING DATASHEETS), DESIGN RESOURCES (INCLUDING REFERENCE DESIGNS), APPLICATION OR OTHER DESIGN ADVICE, WEB TOOLS, SAFETY INFORMATION, AND OTHER RESOURCES "AS IS" AND WITH ALL FAULTS, AND DISCLAIMS ALL WARRANTIES, EXPRESS AND IMPLIED, INCLUDING WITHOUT LIMITATION ANY IMPLIED WARRANTIES OF MERCHANTABILITY, FITNESS FOR A PARTICULAR PURPOSE OR NON-INFRINGEMENT OF THIRD PARTY INTELLECTUAL PROPERTY RIGHTS.

These resources are intended for skilled developers designing with TI products. You are solely responsible for (1) selecting the appropriate TI products for your application, (2) designing, validating and testing your application, and (3) ensuring your application meets applicable standards, and any other safety, security, regulatory or other requirements.

These resources are subject to change without notice. TI grants you permission to use these resources only for development of an application that uses the TI products described in the resource. Other reproduction and display of these resources is prohibited. No license is granted to any other TI intellectual property right or to any third party intellectual property right. TI disclaims responsibility for, and you fully indemnify TI and its representatives against any claims, damages, costs, losses, and liabilities arising out of your use of these resources.

TI's products are provided subject to [TI's Terms of Sale](#), [TI's General Quality Guidelines](#), or other applicable terms available either on [ti.com](http://ti.com) or provided in conjunction with such TI products. TI's provision of these resources does not expand or otherwise alter TI's applicable warranties or warranty disclaimers for TI products. Unless TI explicitly designates a product as custom or customer-specified, TI products are standard, catalog, general purpose devices.

TI objects to and rejects any additional or different terms you may propose.

Copyright © 2026, Texas Instruments Incorporated

Last updated 10/2025