

## MSPM0Gx51x Mixed-Signal Microcontrollers With CAN-FD Interface

### 1 Features

- **Core**
  - Arm® 32-bit Cortex® M0+ CPU with memory protection unit, frequency up to 80MHz
- PSA-L1 Certification targeted
- **Operating characteristics**
  - Extended temperature: –40°C up to 125°C
  - Wide supply voltage range: 1.62V to 3.6V
- **Memories**
  - Up to 512KB of flash memory with error correction code (ECC)
    - Dual-bank with address swap for OTA updates
  - 16KB data flash bank with ECC protection
  - 128KB total SRAM
    - SRAM (Bank 0): 64KB SRAM with ECC protection or hardware parity, and retention down to STANDBY mode
    - SRAM (Bank 1): 64KB SRAM with retention down to STOP mode
- **High-performance analog peripherals**
  - Two simultaneous sampling 12-bit 4Msps analog-to-digital converters (ADC) with up to 27 external channels
    - 14-bit effective resolution at 250ksps with hardware averaging
  - Three high-speed comparators (COMP) with integrated 8-bit reference DACs
    - 32ns propagation delay in high-speed mode
    - Support low-power mode operation down to <math><1\mu\text{A}</math>
  - One 12-bit 1Msps digital-to-analog converter (DAC) with integrated output buffer
  - Programmable analog connections between ADC, COMP and DAC
  - Configurable 1.4V or 2.5V internal shared voltage reference (VREF)
  - Integrated temperature sensor
- **Optimized low-power modes**
  - RUN: 123 $\mu\text{A}/\text{MHz}$  (CoreMark)
  - SLEEP: 38 $\mu\text{A}/\text{MHz}$
  - STOP: 223 $\mu\text{A}$  at 4MHz
  - STANDBY: 1.7 $\mu\text{A}$  at 32kHz with RTC and SRAM Bank 0 and state retention
  - SHUTDOWN: 92nA with IO wake-up capability
- **Intelligent digital peripherals**
  - 12-channel DMA controller
  - Math accelerator supports DIV, SQRT, MAC and TRIG computations
  - Nine timers support up to 28 PWM channels
    - Two 16-bit general-purpose timers support QEI
    - Four 16-bit general-purpose timers support low-power operation in STANDBY mode
    - One 32-bit general-purpose timer
    - Two 16-bit advanced timers with deadband support and complimentary outputs up to 12 PWM channels
  - Two windowed watchdog timers (WWDT), one independent watchdog timer (IWDT)
  - RTC with alarm and calendar mode
- **Enhanced communication interfaces**
  - Seven UART interfaces
    - Two supporting LIN, IrDA, DALI, Smart Card, Manchester
    - Three supporting low-power operation in STANDBY mode
  - Three I<sup>2</sup>C interfaces supporting up to FM+ (1Mbit/s), SMBus/PMBus, and wakeup from STOP mode
  - Three SPI interfaces, with one supporting up to 32Mbits/s
  - Two Controller Area Network (CAN) interfaces support CAN 2.0 A or B and CAN-FD
- **Clock system**
  - Internal 4 to 32MHz oscillator (SYSOSC) with up to  $\pm 1.2\%$  accuracy
  - Phase-locked loop (PLL) up to 80MHz
  - Internal 32kHz low-frequency oscillator (LFOSC) with  $\pm 3\%$  accuracy
  - External 4 to 48MHz crystal oscillator (HFXT)
  - External 32kHz crystal oscillator (LFXT)
  - External clock input
- **Data integrity and encryption**
  - AES-128/256 accelerator with support for GCM/GMAC, CCM/CBC-MAC, CBC, CTR
  - Secure key storage for up to four AES keys
  - Flexible firewalls for protecting code and data
  - True random number generator (TRNG)
  - Cyclic redundancy checker (CRC-16, CRC-32)
- **Flexible I/O features**
  - Up to 94 GPIOs
    - Two 5V-tolerant open-drain IOs
    - Three high-drive IOs with 20mA drive strength
    - Four high-speed IOs
- **Development support**
  - 2-pin serial wire debug (SWD)
- **Package options**
  - 100-pin nFBGA (ZAW) (0.8mm pitch)
  - 100-pin LQFP (PZ) (0.5mm pitch)



- 80-pin LQFP (PN) (0.5mm pitch)
- 64-pin LQFP (PM) (0.5mm pitch)
- 48-pin LQFP (PT) (0.5mm pitch)
- 48-pin VQFN (RGZ) (0.5mm pitch)
- 42-pin DSBGA (YCJ) (0.35mm pitch) - Preview
- 32-pin VQFN (RHB) (0.5mm pitch)
- **Family members** (also see [Device Comparison](#))
  - MSPM0G1518: 256KB flash, 128KB RAM
  - MSPM0G1519: 512KB flash, 128KB RAM
  - MSPM0G3518: 256KB flash, 128KB RAM
  - MSPM0G3519: 512KB flash, 128KB RAM
- **Development kits and software** (also see [Tools and Software](#))
  - [LP-MSPM0G3519 LaunchPad™ development kit](#)
  - [MSPM0 Software Development Kit \(SDK\)](#)

## 2 Applications

- [Motor control](#)
- [Home appliances](#)
- [Uninterruptible power supplies and inverters](#)
- [Electronic point of sale systems](#)
- [Medical and healthcare](#)
- [Test and measurement](#)
- [Factory automation and control](#)
- [Industrial transport](#)
- [Grid infrastructure](#)
- [Smart metering](#)
- [Communication modules](#)
- [Lighting](#)

## 3 Description

MSPM0Gx51x microcontrollers (MCUs) are part of the MSP highly integrated, ultra-low-power 32-bit MCU family based on the enhanced Arm® Cortex®-M0+ 32-bit core platform, operating at up to 80MHz frequency. These MCUs offer a blend of cost optimization and design flexibility for applications requiring 256KB to 512KB of flash memory in small packages or high pin count packages (up to 100 pins). These devices include dual CAN-FD controllers, cybersecurity enablers, high performance integrated analog, and provide excellent low power performance across the operating temperature range.

The device has up to 512KB of embedded flash program memory with built-in error correction code (ECC) and up to 128KB SRAM (with ECC and parity protection for the first 64kB). The flash memory is organized into two main banks to support field firmware updates, with address swap support provided between the two main banks.

Flexible cybersecurity enablers can be used to support secure boot, secure in-field firmware updates, IP protection (execute-only memory), key storage, and more. Hardware acceleration is provided for a variety of AES symmetric cipher modes, as well as a TRNG entropy source. The cybersecurity architecture is pending Arm® PSA Level 1 certification.

A set of high performance analog modules is provided, such as two simultaneously sampling 12-bit, 4Msps ADCs supporting up to 27 external channels, on-chip voltage reference (1.4V or 2.5V), one 12-bit 1Msps DAC, and three comparators operable in low-power and high-speed modes with additional built-in 8-bit reference DACs .

The TI MSPM0 family of low-power MCUs consists of devices with varying degrees of analog and digital integration allowing for customers find the MCU that meets their project's needs. The MSPM0 MCU platform combines the Arm Cortex-M0+ platform with a holistic ultra-low-power system architecture, allowing system designers to increase performance while reducing energy consumption.

MSPM0Gx51x MCUs are supported by an extensive hardware and software ecosystem with reference designs and code examples to get the design started quickly. Development kits include a [LaunchPad](#) available for purchase. TI also provides a free [MSPM0 Software Development Kit \(SDK\)](#), which is available as a component of [Code Composer Studio™ IDE](#) desktop and cloud version within the [TI Resource Explorer](#). MSPM0 MCUs are also supported by extensive online collateral, training with [MSP Academy](#), and online support through the [TI E2E™ support forums](#).

For complete module descriptions, see the [MSPM0 G-Series 80MHz Microcontrollers Technical Reference Manual](#).

**CAUTION**

System-level ESD protection must be applied in compliance with the device-level ESD specification to prevent electrical overstress or disturbing of data or code memory. See [MSP430™ System-Level ESD Considerations](#) for more information. The principles in this application note are applicable to MSPM0 MCUs.

**Device Information**

| PART NUMBER       | PACKAGE <sup>(1)</sup> | PACKAGE SIZE <sup>(2)</sup> |
|-------------------|------------------------|-----------------------------|
| MSPM0G1518SZAWR   | ZAW (nFBGA, 100)       | 9mm x 9mm                   |
| MSPM0G1519SZAWR   |                        |                             |
| MSPM0G3518SZAWR   |                        |                             |
| MSPM0G3519SZAWR   |                        |                             |
| MSPM0G1518SPZR    | PZ (LQFP, 100)         | 16mm x 16mm                 |
| MSPM0G1519SPZR    |                        |                             |
| MSPM0G3518SPZR    |                        |                             |
| MSPM0G3519SPZR    |                        |                             |
| MSPM0G1518SPNR    | PN (LQFP, 80)          | 14mm x 14mm                 |
| MSPM0G1519SPNR    |                        |                             |
| MSPM0G3518SPNR    |                        |                             |
| MSPM0G3519SPNR    |                        |                             |
| MSPM0G1518SPMR    | PM (LQFP, 64)          | 12mm x 12mm                 |
| MSPM0G1518SPM     |                        |                             |
| MSPM0G1519SPMR    |                        |                             |
| MSPM0G3518SPMR    |                        |                             |
| MSPM0G3519SPMR    |                        |                             |
| MSPM0G1518SPTR    | PT (LQFP, 48)          | 9mm x 9mm                   |
| MSPM0G1519SPTR    |                        |                             |
| MSPM0G3518SPTR    |                        |                             |
| MSPM0G3519SPTR    |                        |                             |
| MSPM0G1518SRGZR   | RGZ (VQFN, 48)         | 7mm x 7mm                   |
| MSPM0G1519SRGZR   |                        |                             |
| MSPM0G3518SRGZR   |                        |                             |
| MSPM0G3519SRGZR   |                        |                             |
| MSPM0G1518S42YCJR | YCJ (DSBGA, 42)        | 2.841mm x 2.383mm           |
| MSPM0G1519S42YCJR |                        |                             |
| MSPM0G3518S42YCJR |                        |                             |
| MSPM0G3519S42YCJR |                        |                             |

**Device Information (continued)**

| PART NUMBER     | PACKAGE <sup>(1)</sup> | PACKAGE SIZE <sup>(2)</sup> |
|-----------------|------------------------|-----------------------------|
| MSPM0G1518SRHBR | RHB (VQFN, 32)         | 5mm x 5mm                   |
| MSPM0G1519SRHBR |                        |                             |
| MSPM0G3518SRHBR |                        |                             |
| MSPM0G3519SRHBR |                        |                             |

(1) For more information, see [Section 12](#).

(2) The package size (length x width) is a nominal value and includes pins, where applicable

## 4 Functional Block Diagram

MSPM0Gx51x Functional Block Diagram shows the MSPM0Gx51x functional block diagram.

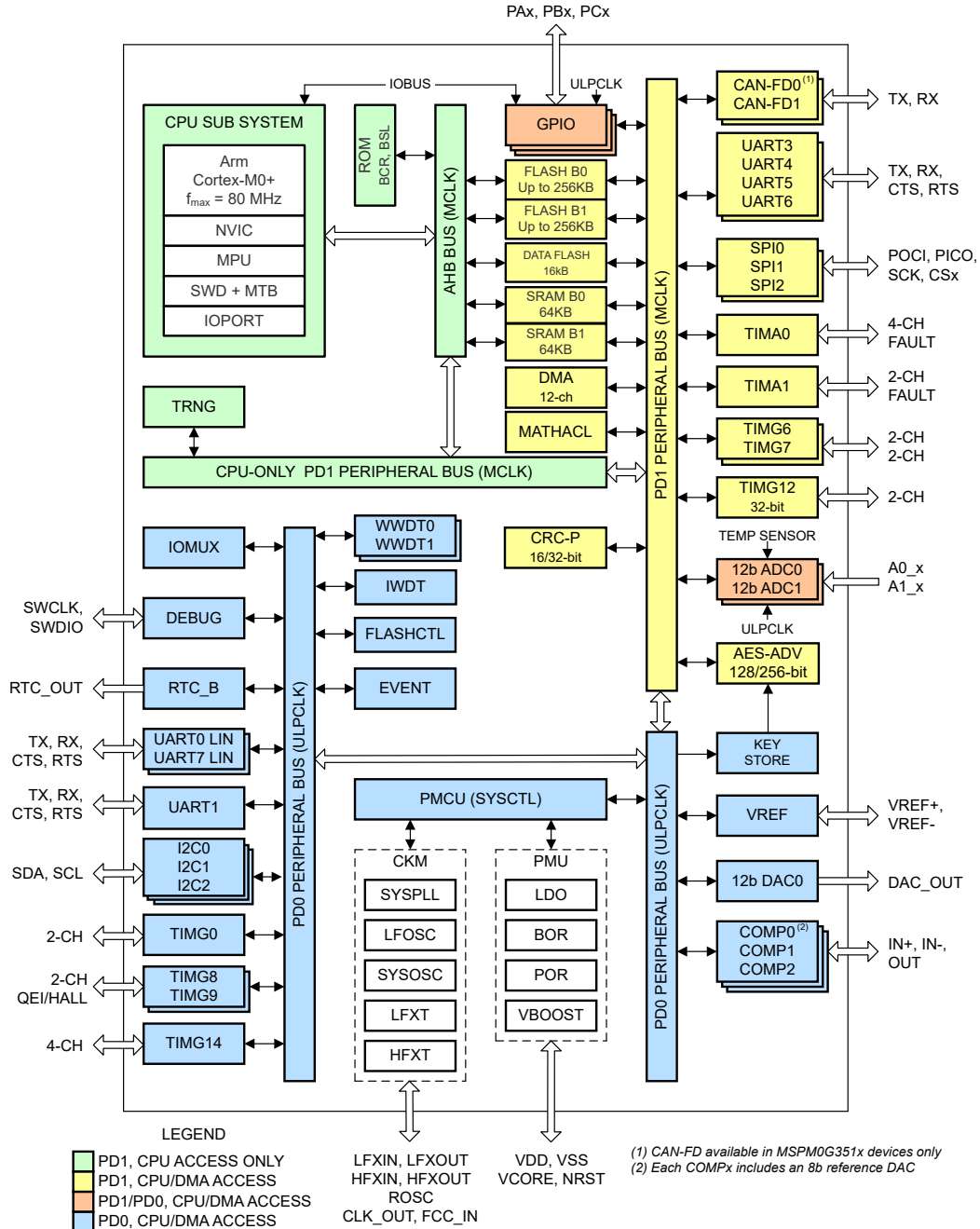


Figure 4-1. MSPM0Gx51x Functional Block Diagram

## Table of Contents

|  |    |  |     |
|--|----|--|-----|
| <b>1 Features</b> .....                        | 1  | 8.10 SRAM.....   | 86  |
| <b>2 Applications</b> .....                    | 2  | 8.11 GPIO.....   | 86  |
| <b>3 Description</b> .....                     | 2  | 8.12 IOMUX.....  | 87  |
| <b>4 Functional Block Diagram</b> .....        | 5  | 8.13 ADC.....  | 87  |
| <b>5 Device Comparison</b> .....               | 7  | 8.14 Temperature Sensor.....                                     | 88  |
| 5.1 Device Comparison Chart.....               | 9  | 8.15 VREF.....   | 88  |
| <b>6 Pin Configuration and Functions</b> ..... | 10 | 8.16 COMP.....   | 88  |
| 6.1 Pin Diagrams.....                          | 10 | 8.17 DAC.....  | 90  |
| 6.2 Pin Attributes.....                        | 17 | 8.18 Security.....   | 90  |
| 6.3 Signal Descriptions.....                   | 37 | 8.19 TRNG.....   | 90  |
| 6.4 Connections for Unused Pins.....           | 53 | 8.20 AESADV.....   | 91  |
| <b>7 Specifications</b> .....                  | 54 | 8.21 Keystore.....   | 91  |
| 7.1 Absolute Maximum Ratings.....              | 54 | 8.22 CRC-P.....  | 91  |
| 7.2 ESD Ratings.....                           | 54 | 8.23 MATHACL.....  | 91  |
| 7.3 Recommended Operating Conditions.....      | 54 | 8.24 UART.....   | 92  |
| 7.4 Thermal Information.....                   | 55 | 8.25 I2C.....  | 92  |
| 7.5 Supply Current Characteristics.....        | 57 | 8.26 SPI.....  | 93  |
| 7.6 Power Supply Sequencing.....               | 58 | 8.27 CAN-FD.....   | 93  |
| 7.7 Flash Memory Characteristics.....          | 59 | 8.28 Low-Frequency Sub System (LFSS).....                        | 93  |
| 7.8 Timing Characteristics.....                | 60 | 8.29 RTC_B.....  | 94  |
| 7.9 Clock Specifications.....                  | 61 | 8.30 IWDT_B.....   | 95  |
| 7.10 Digital IO.....                           | 64 | 8.31 WWDT.....   | 95  |
| 7.11 Analog Mux VBOOST.....                    | 66 | 8.32 Timers (TIMx).....  | 95  |
| 7.12 ADC.....                                  | 66 | 8.33 Device Analog Connections.....                              | 98  |
| 7.13 Temperature Sensor.....                   | 68 | 8.34 Input/Output Diagrams.....                                  | 99  |
| 7.14 VREF.....                                 | 69 | 8.35 Serial Wire Debug Interface.....                            | 100 |
| 7.15 Comparator (COMP).....                    | 69 | 8.36 Boot Strap Loader (BSL).....                                | 100 |
| 7.16 DAC.....                                  | 70 | 8.37 Device Factory Constants.....                               | 100 |
| 7.17 I2C.....                                  | 71 | 8.38 Identification.....   | 101 |
| 7.18 SPI.....                                  | 72 | <b>9 Applications, Implementation, and Layout</b> .....          | 103 |
| 7.19 UART.....                                 | 74 | 9.1 Typical Application.....                                     | 103 |
| 7.20 TIMx.....                                 | 75 | <b>10 Device and Documentation Support</b> .....                 | 104 |
| 7.21 TRNG.....                                 | 75 | 10.1 Getting Started and Next Steps.....                         | 104 |
| 7.22 Emulation and Debug.....                  | 75 | 10.2 Device Nomenclature.....                                    | 104 |
| <b>8 Detailed Description</b> .....            | 76 | 10.3 Tools and Software.....                                     | 105 |
| 8.1 Functional Block Diagram.....              | 76 | 10.4 Documentation Support.....                                  | 106 |
| 8.2 CPU.....                                   | 77 | 10.5 Support Resources.....                                      | 106 |
| 8.3 Operating Modes.....                       | 77 | 10.6 Trademarks.....   | 106 |
| 8.4 Power Management Unit (PMU).....           | 79 | 10.7 Electrostatic Discharge Caution.....                        | 106 |
| 8.5 Clock Module (CKM).....                    | 79 | 10.8 Glossary.....   | 106 |
| 8.6 DMA.....                                   | 80 | <b>11 Revision History</b> .....                                 | 106 |
| 8.7 Events.....                                | 81 | <b>12 Mechanical, Packaging, and Orderable Information</b> ..... | 109 |
| 8.8 Memory.....                                | 82 | 12.1 Tray Information.....                                       | 129 |
| 8.9 Flash Memory.....                          | 86 |  |     |

## 5 Device Comparison

The following table summarizes the features of each device that is described in this data sheet.

**Table 5-1. Device Comparison Table**

| DEVICE NAME <sup>(1) (4)</sup> | FLASH / SRAM (KB) | QUAL <sup>(2)</sup> | CAN | UART/I2C/SPI | ADC / CHAN | GPIO | PACKAGE <sup>(3)</sup>                     |
|--------------------------------|-------------------|---------------------|-----|--------------|------------|------|--|
| MSPM0G1518SZAWR                | 256 / 128         | S                   | 0   | 7 / 3 / 3    | 2 / 27     | 94   | 100 nFBGA<br>(0.8mm pitch)<br>[9mm x 9mm]  |
| MSPM0G1519SZAWR                | 512 / 128         | S                   | 0   | 7 / 3 / 3    | 2 / 27     | 94   |  |
| MSPM0G3518SZAWR                | 256 / 128         | S                   | 2   | 7 / 3 / 3    | 2 / 27     | 94   |  |
| MSPM0G3519SZAWR                | 512 / 128         | S                   | 2   | 7 / 3 / 3    | 2 / 27     | 94   |  |
| MSPM0G1518SPZR                 | 256 / 128         | S                   | 0   | 7 / 3 / 3    | 2 / 27     | 94   | 100 LQFP<br>(0.5mm pitch)<br>[16mm x 16mm] |
| MSPM0G1519SPZR                 | 512 / 128         | S                   | 0   | 7 / 3 / 3    | 2 / 27     | 94   |  |
| MSPM0G3518SPZR                 | 256 / 128         | S                   | 2   | 7 / 3 / 3    | 2 / 27     | 94   |  |
| MSPM0G3519SPZR                 | 512 / 128         | S                   | 2   | 7 / 3 / 3    | 2 / 27     | 94   |  |
| MSPM0G1518SPNR                 | 256 / 128         | S                   | 0   | 7 / 3 / 3    | 2 / 27     | 74   | 80 LQFP<br>(0.5mm pitch)<br>[14mm x 14mm]  |
| MSPM0G1519SPNR                 | 512 / 128         | S                   | 0   | 7 / 3 / 3    | 2 / 27     | 74   |  |
| MSPM0G3518SPNR                 | 256 / 128         | S                   | 2   | 7 / 3 / 3    | 2 / 27     | 74   |  |
| MSPM0G3519SPNR                 | 512 / 128         | S                   | 2   | 7 / 3 / 3    | 2 / 27     | 74   |  |
| MSPM0G1518SPMR                 | 256 / 128         | S                   | 0   | 7 / 3 / 3    | 2 / 27     | 60   | 64 LQFP<br>(0.5mm pitch)<br>[12mm x 12mm]  |
| MSPM0G1518SPM                  | 256 / 128         | S                   | 0   | 7 / 3 / 3    | 2 / 27     | 60   |  |
| MSPM0G1519SPMR                 | 512 / 128         | S                   | 0   | 7 / 3 / 3    | 2 / 27     | 60   |  |
| MSPM0G3518SPMR                 | 256 / 128         | S                   | 2   | 7 / 3 / 3    | 2 / 27     | 60   |  |
| MSPM0G3519SPMR                 | 512 / 128         | S                   | 2   | 7 / 3 / 3    | 2 / 27     | 60   |  |
| MSPM0G1518SPTR                 | 256 / 128         | S                   | 0   | 6 / 3 / 2    | 2 / 21     | 44   | 48 LQFP<br>(0.5mm pitch)<br>[9mm x 9mm]    |
| MSPM0G1519SPTR                 | 512 / 128         | S                   | 0   | 6 / 3 / 2    | 2 / 21     | 44   |  |
| MSPM0G3518SPTR                 | 256 / 128         | S                   | 1   | 6 / 3 / 2    | 2 / 21     | 44   |  |
| MSPM0G3519SPTR                 | 512 / 128         | S                   | 1   | 6 / 3 / 2    | 2 / 21     | 44   |  |
| MSPM0G1518SRGZR                | 256 / 128         | S                   | 0   | 6 / 3 / 2    | 2 / 21     | 44   | 48 VQFN<br>(0.5mm pitch)<br>[7mm x 7mm]    |
| MSPM0G1519SRGZR                | 512 / 128         | S                   | 0   | 6 / 3 / 2    | 2 / 21     | 44   |  |
| MSPM0G3518SRGZR                | 256 / 128         | S                   | 1   | 6 / 3 / 2    | 2 / 21     | 44   |  |
| MSPM0G3519SRGZR                | 512 / 128         | S                   | 1   | 6 / 3 / 2    | 2 / 21     | 44   |  |

**Table 5-1. Device Comparison Table (continued)**

| DEVICE NAME <sup>(1) (4)</sup> | FLASH / SRAM (KB) | QUAL <sup>(2)</sup> | CAN | UART/I2C/SPI | ADC / CHAN | GPIO | PACKAGE <sup>(3)</sup>                            |
|--------------------------------|-------------------|---------------------|-----|--------------|------------|------|---|
| MSPM0G1518S42YCJR              | 256 / 128         | S                   | 0   | 6 / 3 / 2    | 2 / 20     | 38   | 42 DSBGA<br>(0.35mm pitch)<br>[2.841mm x 2.383mm] |
| MSPM0G1519S42YCJR              | 512 / 128         | S                   | 0   | 6 / 3 / 2    | 2 / 20     | 38   |   |
| MSPM0G3518S42YCJR              | 256 / 128         | S                   | 2   | 6 / 3 / 2    | 2 / 20     | 38   |   |
| MSPM0G3519S42YCJR              | 512 / 128         | S                   | 2   | 6 / 3 / 2    | 2 / 20     | 38   |   |
| MSPM0G1518SRHBR                | 256 / 128         | S                   | 0   | 5 / 3 / 2    | 2 / 16     | 28   | 32 VQFN<br>(0.5mm pitch)<br>[5mm x 5mm]           |
| MSPM0G1519SRHBR                | 512 / 128         | S                   | 0   | 5 / 3 / 2    | 2 / 16     | 28   |   |
| MSPM0G3518SRHBR                | 256 / 128         | S                   | 1   | 5 / 3 / 2    | 2 / 16     | 28   |   |
| MSPM0G3519SRHBR                | 512 / 128         | S                   | 1   | 5 / 3 / 2    | 2 / 16     | 28   |   |

(1) For the most current part, package, and ordering information for all available devices, see the *Package Option Addendum* in [Section 12](#), or see the [TI website](#).

(2) Device Qualifications:  
• S = -40°C to 125°C

(3) The package size (length × width) is a nominal value and includes pins, where applicable. For the package dimensions with tolerances, see [Section 12](#).

(4) For more information about the device name, see [Section 10.2](#)



### 5.1 Device Comparison Chart

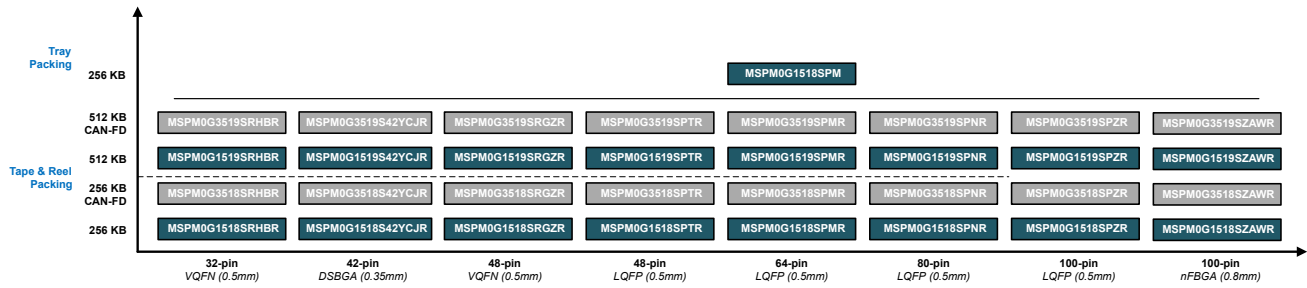


Figure 5-1. Device Comparison Chart

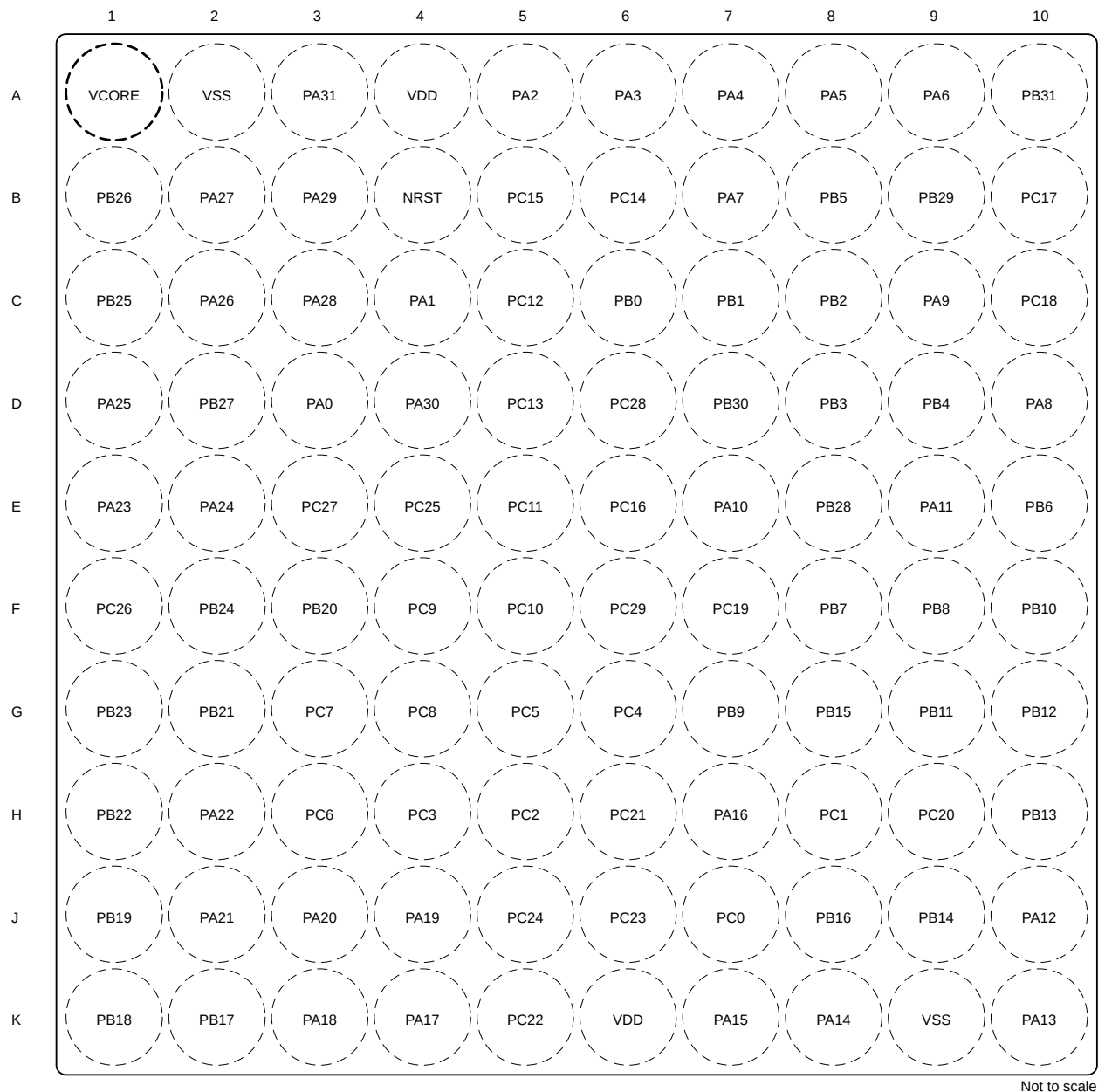
## 6 Pin Configuration and Functions

The [System Configuration tool](#) provides a graphical interface to enable, configurable, and generate initialization code for pin multiplexing and simplifying pin settings. The pin diagrams shown in the data sheet show the primary peripheral functions, some of the integrated device features, and available clock signals to simplify the device pinout.

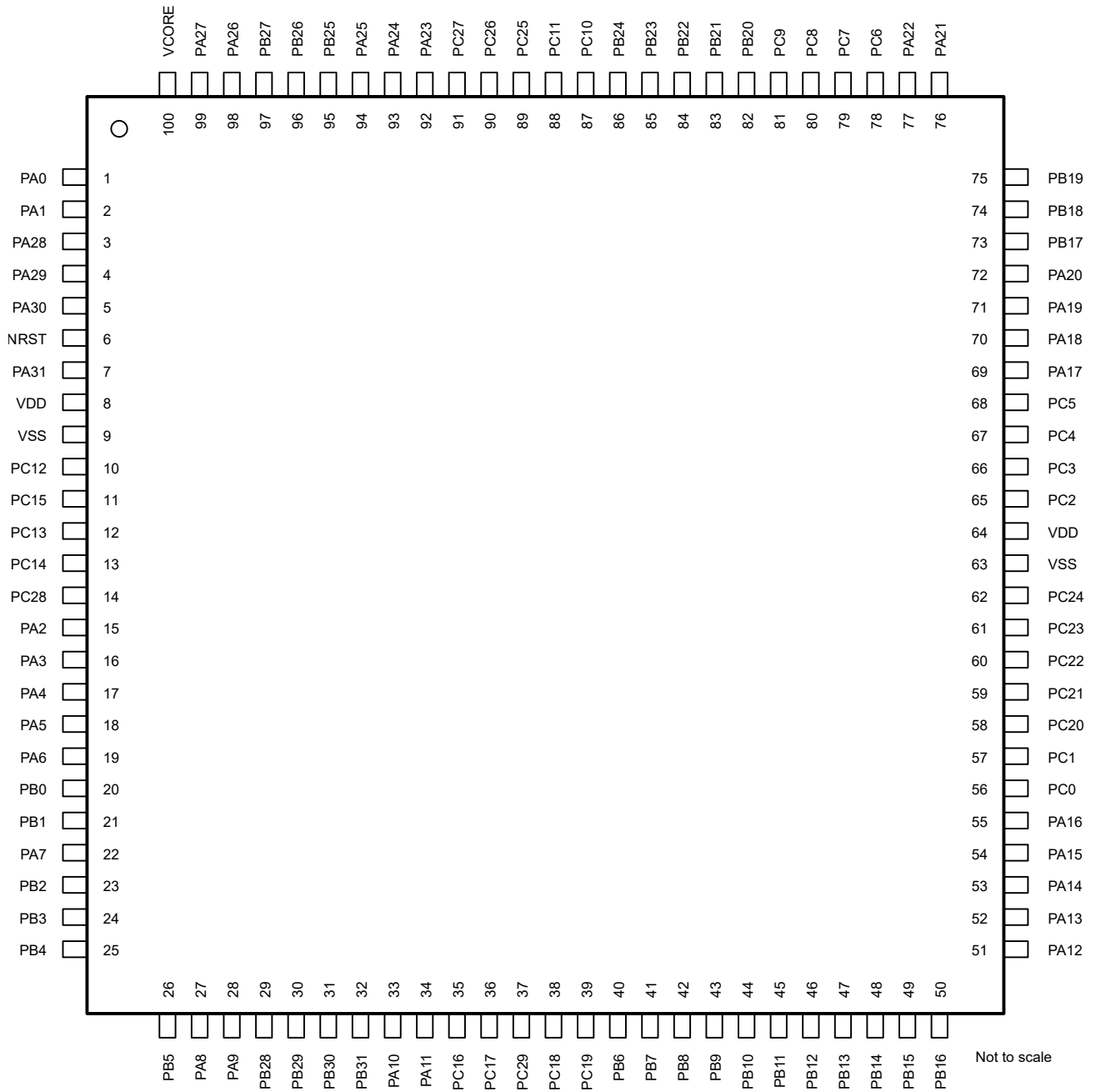
For full descriptions of the pin functions, see the *Pin Attributes* and *Signal Descriptions* sections.

### 6.1 Pin Diagrams

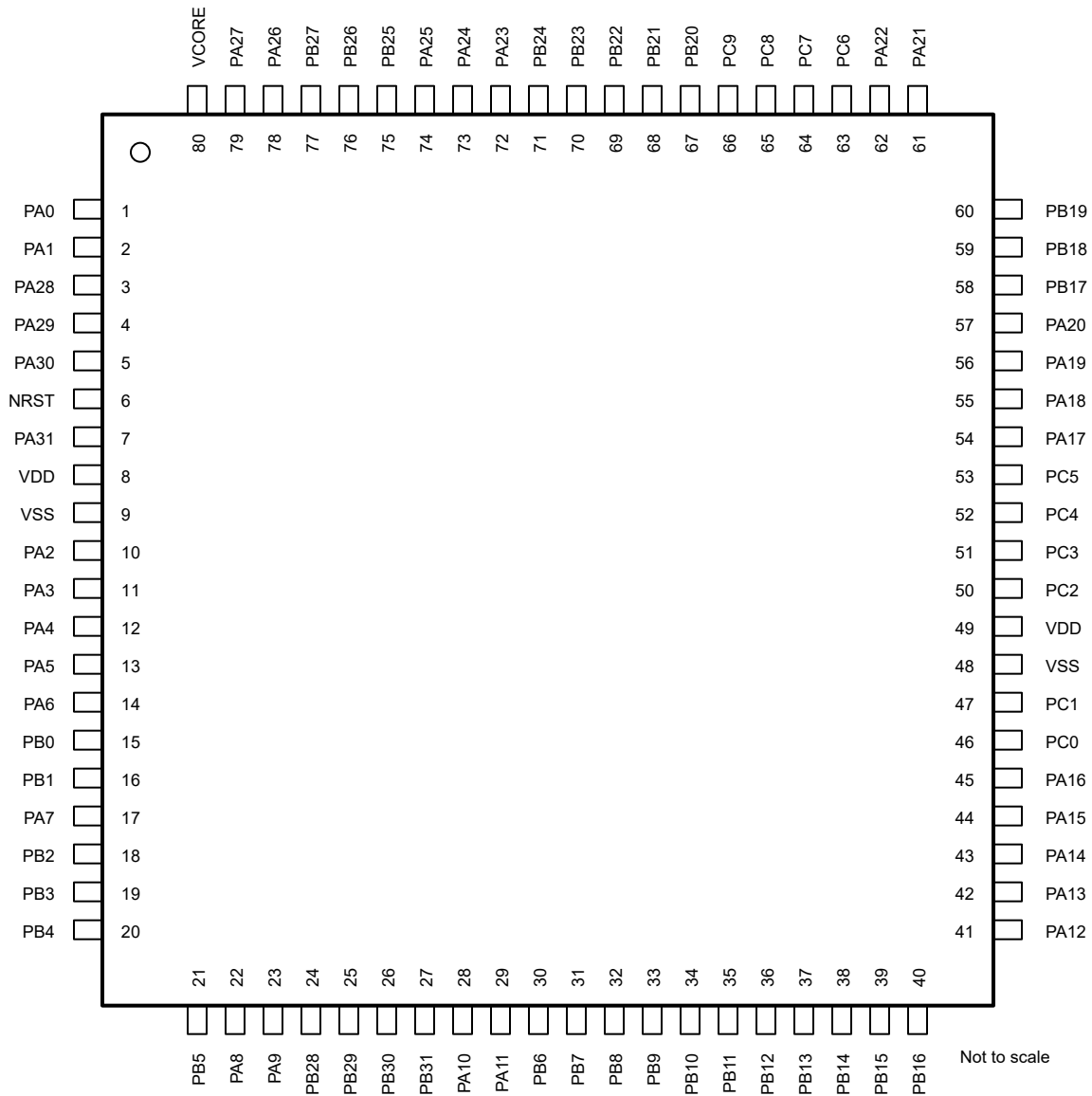
For full pin configuration and functions for each package option, refer to [Pin Attributes](#) and [Signal Descriptions](#).



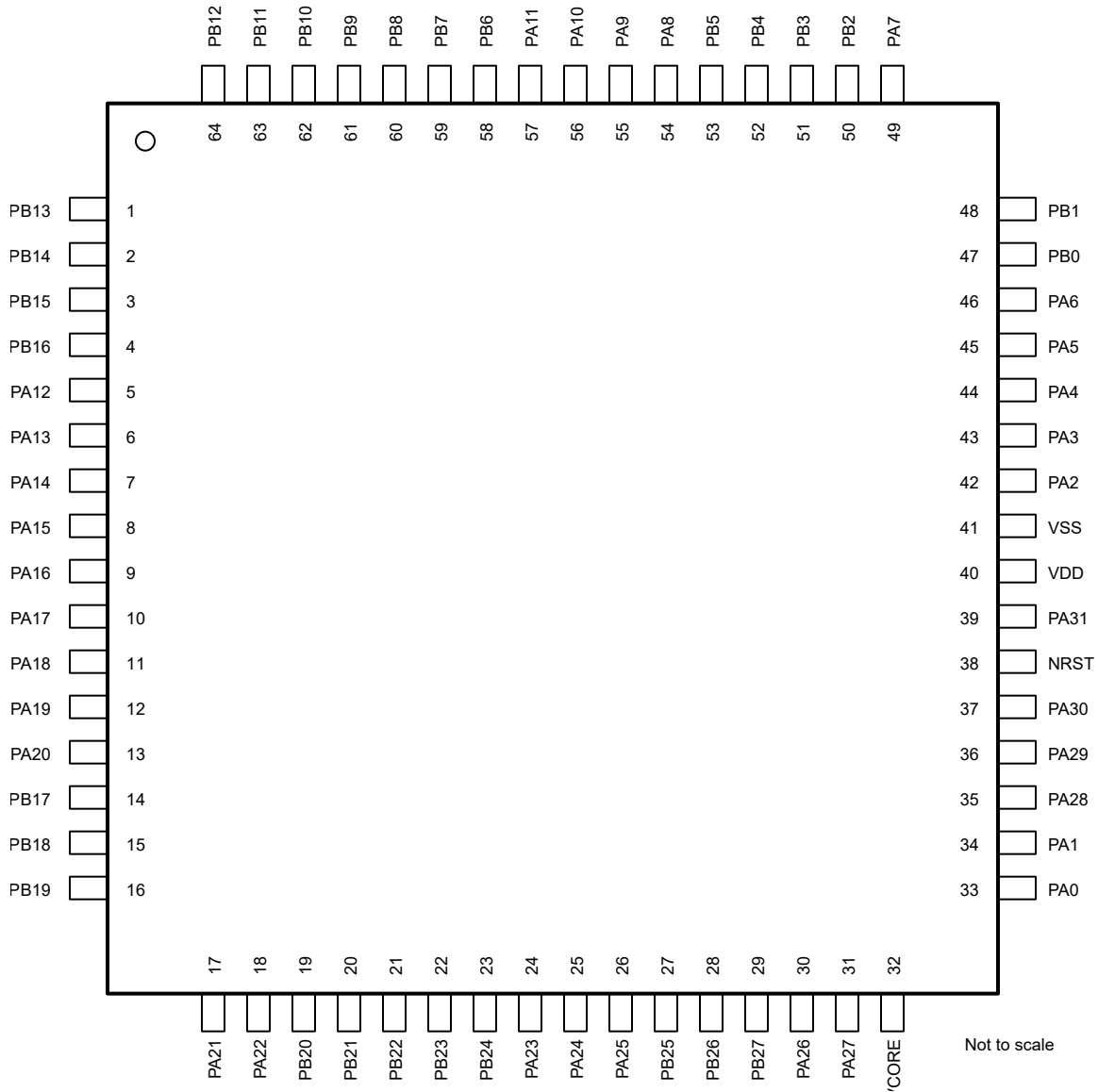
**Figure 6-1. 100-pin ZAW (0.8mm) (nFBGA) Package Diagram (Ball Mount Facing Down View)**



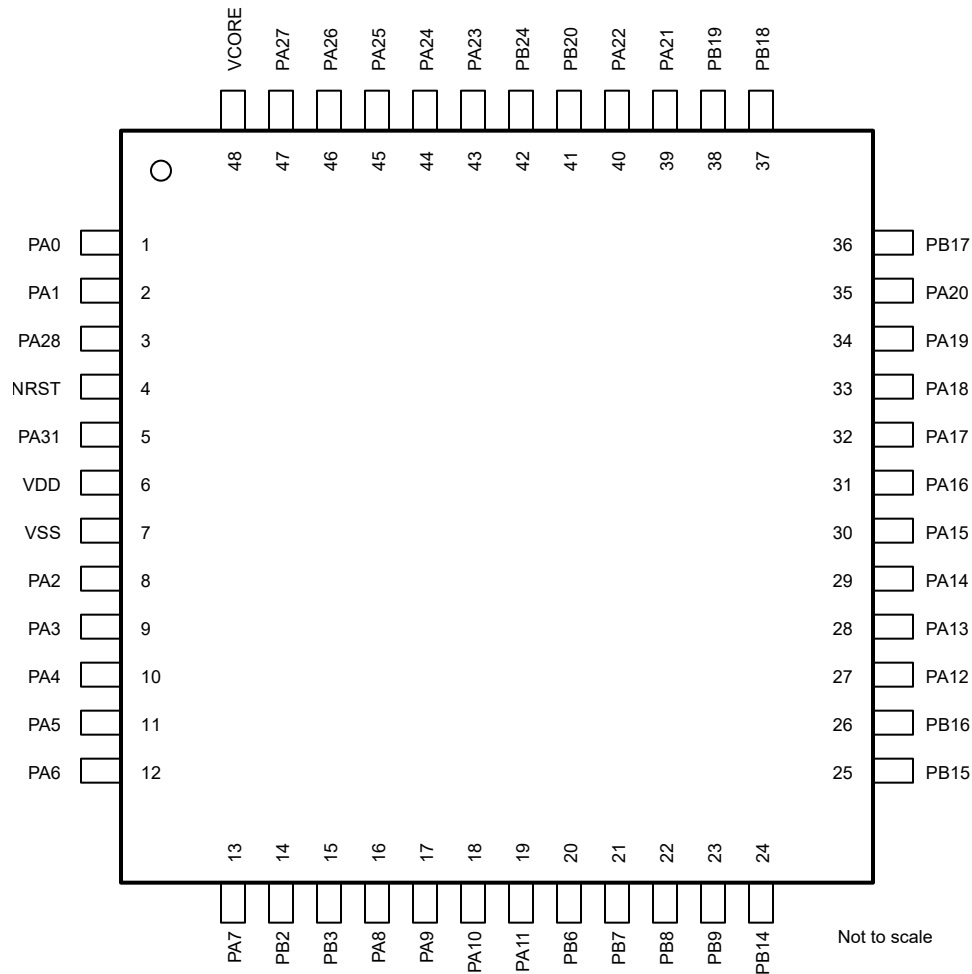
**Figure 6-2. 100-pin PZ (0.5mm) (LQFP) Package Diagram**



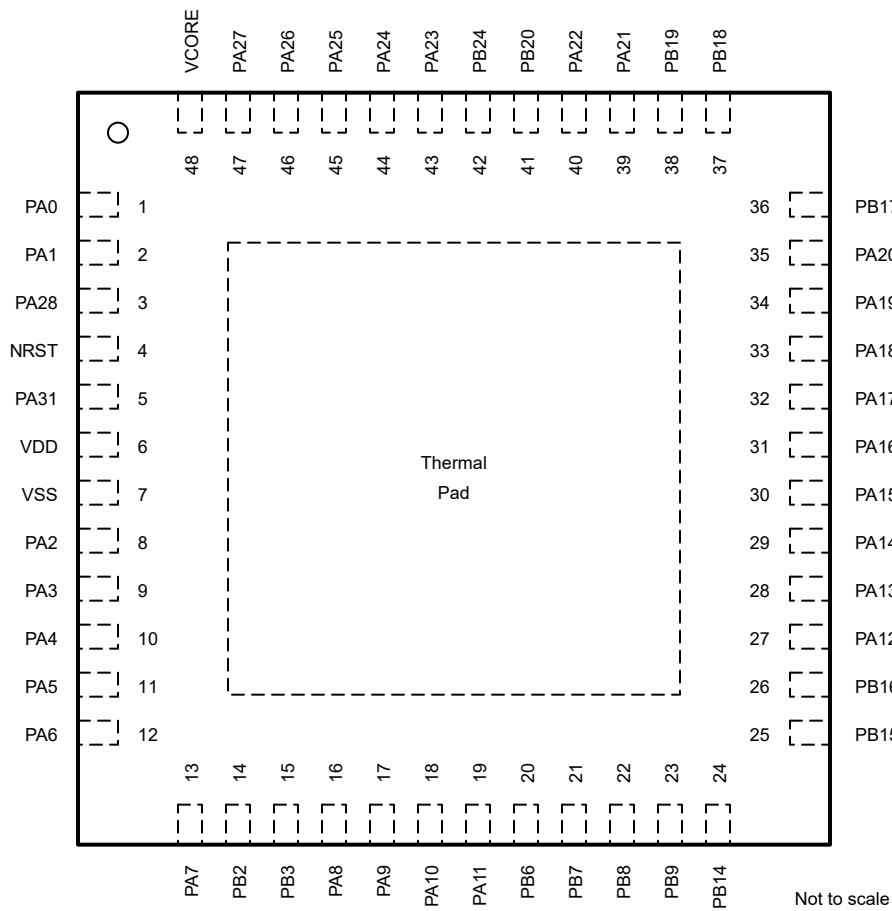
**Figure 6-3. 80-pin PN (0.5mm) (LQFP) Package Diagram**



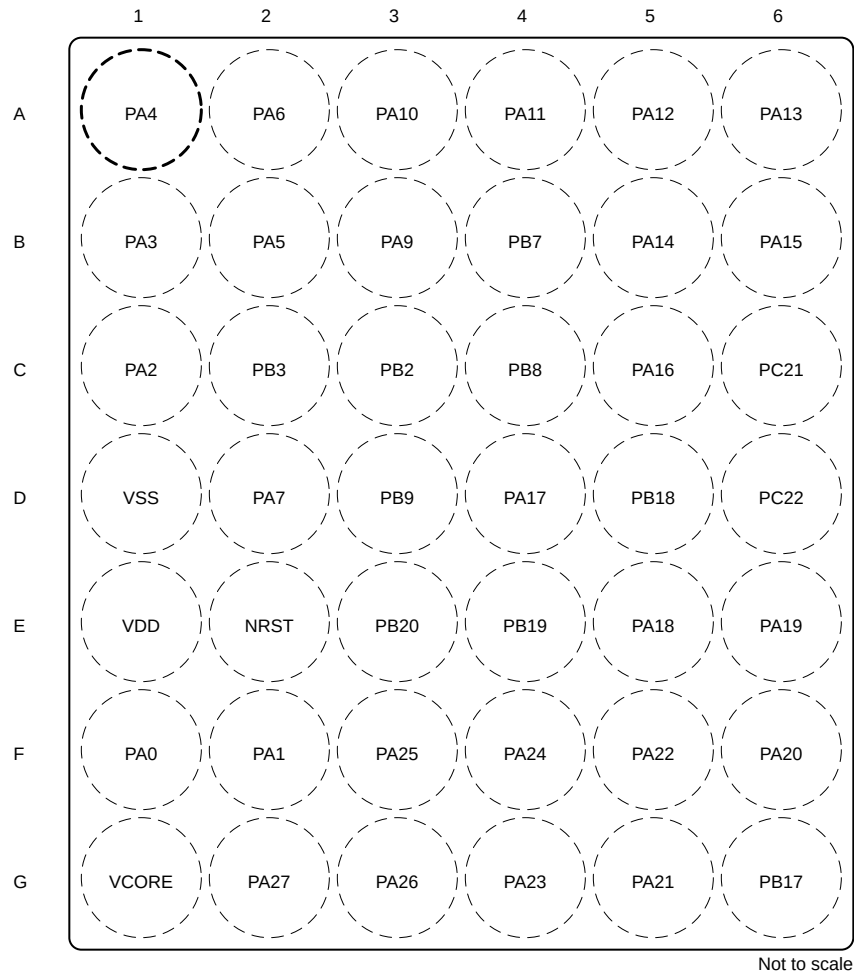
**Figure 6-4. 64-pin PM (0.5mm) (LQFP) Package Diagram**



**Figure 6-5. 48-pin PT (0.5mm) (LQFP) Package Diagram**

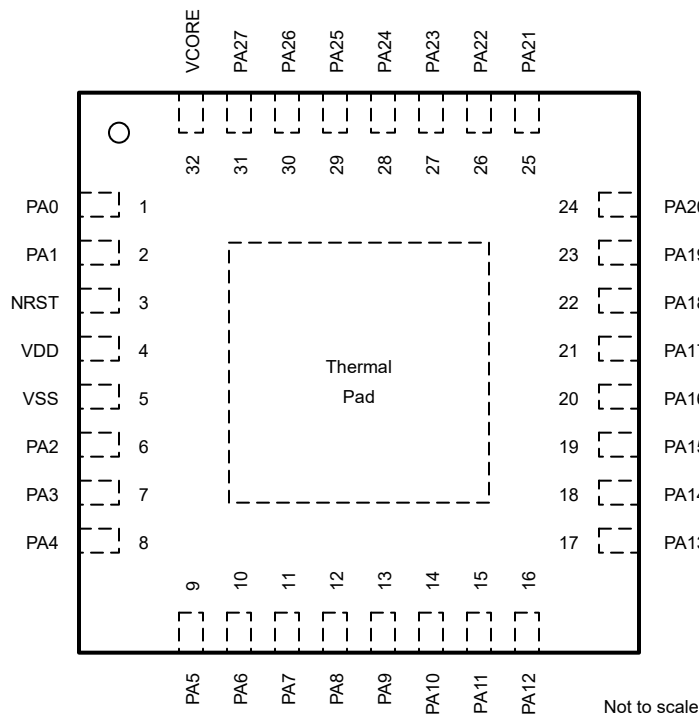


**Figure 6-6. 48-pin RGZ (0.5mm) (VQFN) Package Diagram**



**Figure 6-7. 42-pin YCJ (0.35mm) (DSBGA) Package Diagram (Ball Mount Facing Down View)**





**Figure 6-8. 32-pin RHB (0.5mm) (VQFN) Package Diagram**

## 6.2 Pin Attributes

The following table describes the functions available on every pin for each device package.

### Note

Each digital I/O on a device is mapped to a specific Pin Control Management Register (PINCMx) that lets users configure the desired *Pin Function* using the PINCM.PF control bits.

Each digital I/O on a device is mapped to a specific Pin Control Management Register (PINCMx) which allows users to configure the desired Pin Function using the PINCM.PF control bits. The IOMUX only supports connecting one IOMUX-managed digital function to the pin at the same time. The PINCM.PF and PINCM.PC in **IOMUX** are recommended to be set to 0 when non-IOMUX managed functions (such as analog connections) are intended to be used on a pin. However, non-IOMUX managed signals (such as analog inputs and WAKE inputs) can be enabled on a pin at the same time that an IOMUX managed digital function is enabled on the pin, provided there is no contention between the functions. In this case, the designer must verify that no contention exists between the functions enabled on each pin.

**Table 6-1. Digital IO Features by IO Type**

| BUFFER TYPE                                    | INVERSION CONTROL | DRIVE STRENGTH CONTROL | HYSTERESIS CONTROL | PULLUP RESISTOR | PULLDOWN RESISTOR | WAKEUP LOGIC |
|--|-------------------|------------------------|--------------------|-----------------|-------------------|--------------|
| SDIO (standard drive)                          | Y                 |                        |                    | Y               | Y                 |              |
| SDIO (standard drive) with wake <sup>(1)</sup> | Y                 |                        |                    | Y               | Y                 | Y            |
| HDIO (High drive)                              | Y                 | Y                      |                    | Y               | Y                 | Y            |
| HSIO (High speed)                              | Y                 | Y                      |                    | Y               | Y                 |              |

**Table 6-1. Digital IO Features by IO Type (continued)**

| BUFFER TYPE                   | INVERSION CONTROL | DRIVE STRENGTH CONTROL | HYSTERESIS CONTROL | PULLUP RESISTOR | PULLDOWN RESISTOR | WAKEUP LOGIC |
|-------------------------------|-------------------|------------------------|--------------------|-----------------|-------------------|--------------|
| ODIO (5V-tolerant open drain) | Y                 |                        | Y                  |                 | Y                 | Y            |

- Standard with Wake allows the I/O to wake up the device from the lowest low-power mode of SHUTDOWN. All I/O can be configured to wakeup the MCU from higher low-power modes. See section *GPIO FastWake* in the [MSPM0 G-Series 80MHz Microcontrollers Technical Reference Manual](#). for details.

**Table 6-2. Pin Attributes**

| RHB PIN | ZAW PIN         | YCJ PIN | RGZ PIN | PT PIN | PM PIN | PN PIN | PZ PIN | PIN NAME/<br>IOMUX REG/<br>IOMUX ADDR | SIGNAL NAME | IOMUX PF        | SIGNAL TYPE | BUFFER TYPE   |
|---------|-----------------|---------|---------|--------|--------|--------|--------|---------------------------------------|-------------|-----------------|-------------|---------------|
| 3       | B4              | E2      | 4       | 4      | 38     | 6      | 6      | NRST                                  | NRST        | (Non-IOMUX 1) 0 | I           | RESET         |
|         |                 |         |         |        |        |        |        |                                       | WAKE        | (Non-IOMUX 2) 0 | I           |               |
| 1       | D3              | F1      | 1       | 1      | 33     | 1      | 1      | PA0<br>PINCM1<br>0x40428000           | PA0         | 1               | IO          | ODIO (5V-tol) |
|         |                 |         |         |        |        |        |        |                                       | UART0_TX    | 2               | O           |               |
|         |                 |         |         |        |        |        |        |                                       | I2C0_SDA    | 3               | IOD         |               |
|         |                 |         |         |        |        |        |        |                                       | TIMA0_C0    | 4               | IO          |               |
|         |                 |         |         |        |        |        |        |                                       | TIMA_FAL1   | 5               | I           |               |
|         |                 |         |         |        |        |        |        |                                       | FCC_IN      | 6               | I           |               |
|         |                 |         |         |        |        |        |        |                                       | TIMG8_C1    | 7               | IO          |               |
|         |                 |         |         |        |        |        |        |                                       | TIMG12_C0   | 8               | IO          |               |
|         |                 |         |         |        |        |        |        |                                       | TIMG0_C0    | 9               | IO          |               |
|         |                 |         |         |        |        |        |        |                                       | UART5_RX    | 12              | I           |               |
|         |                 |         |         |        |        |        |        |                                       | BLSLSDA     | (Non-IOMUX 1) 0 | IOD         |               |
| WAKE    | (Non-IOMUX 2) 0 | I       |         |        |        |        |        |                                       |             |                 |             |               |
| 2       | C4              | F2      | 2       | 2      | 34     | 2      | 2      | PA1<br>PINCM2<br>0x40428004           | PA1         | 1               | IO          | ODIO (5V-tol) |
|         |                 |         |         |        |        |        |        |                                       | UART0_RX    | 2               | I           |               |
|         |                 |         |         |        |        |        |        |                                       | I2C0_SCL    | 3               | IOD         |               |
|         |                 |         |         |        |        |        |        |                                       | TIMA0_C1    | 4               | IO          |               |
|         |                 |         |         |        |        |        |        |                                       | TIMA_FAL2   | 5               | I           |               |
|         |                 |         |         |        |        |        |        |                                       | TIMG8_IDX   | 6               | I           |               |
|         |                 |         |         |        |        |        |        |                                       | TIMG8_C0    | 7               | IO          |               |
|         |                 |         |         |        |        |        |        |                                       | TIMG12_C1   | 8               | IO          |               |
|         |                 |         |         |        |        |        |        |                                       | TIMG0_C1    | 9               | IO          |               |
|         |                 |         |         |        |        |        |        |                                       | SPI0_CS3    | 10              | IO          |               |
|         |                 |         |         |        |        |        |        |                                       | UART5_TX    | 12              | O           |               |
|         |                 |         |         |        |        |        |        |                                       | BLSL_SCL    | (Non-IOMUX 1) 0 | IOD         |               |
|         |                 |         |         |        |        |        |        |                                       | WAKE        | (Non-IOMUX 2) 0 | I           |               |

**Table 6-2. Pin Attributes (continued)**

| RHB PIN | ZAW PIN | YCJ PIN | RGZ PIN | PT PIN | PM PIN | PN PIN | PZ PIN | PIN NAME/<br>IOMUX REG/<br>IOMUX ADDR | SIGNAL NAME | IOMUX PF        | SIGNAL TYPE | BUFFER TYPE        |
|---------|---------|---------|---------|--------|--------|--------|--------|---------------------------------------|-------------|-----------------|-------------|--------------------|
| 6       | A5      | C1      | 8       | 8      | 42     | 10     | 15     | PA2<br>PINCM7<br>0x40428018           | PA2         | 1               | IO          | SDIO<br>(standard) |
|         |         |         |         |        |        |        |        |                                       | TIM8_C1     | 2               | IO          |                    |
|         |         |         |         |        |        |        |        |                                       | SPI0_CS0    | 3               | IO          |                    |
|         |         |         |         |        |        |        |        |                                       | TIM7_C1     | 4               | IO          |                    |
|         |         |         |         |        |        |        |        |                                       | SPI1_CS0    | 5               | IO          |                    |
|         |         |         |         |        |        |        |        |                                       | TIMA0_C3N   | 6               | O           |                    |
|         |         |         |         |        |        |        |        |                                       | TIMA0_C2N   | 7               | O           |                    |
|         |         |         |         |        |        |        |        |                                       | TIMA_FAL0   | 8               | I           |                    |
|         |         |         |         |        |        |        |        |                                       | TIMA_FAL1   | 9               | I           |                    |
|         |         |         |         |        |        |        |        |                                       | UART4_CTS   | 10              | I           |                    |
|         |         |         |         |        |        |        |        |                                       | TIMA0_C0    | 11              | IO          |                    |
|         |         |         |         |        |        |        |        |                                       | SPI2_POCI   | 12              | IO          |                    |
|         |         |         |         |        |        |        |        |                                       | TIM9_C1     | 13              | IO          |                    |
|         |         |         |         |        |        |        |        |                                       | ROSC        | (Non-IOMUX 1) 0 | A           |                    |
| 7       | A6      | B1      | 9       | 9      | 43     | 11     | 16     | PA3<br>PINCM8<br>0x4042801c           | PA3         | 1               | IO          | SDIO<br>(standard) |
|         |         |         |         |        |        |        |        |                                       | TIM8_C0     | 2               | IO          |                    |
|         |         |         |         |        |        |        |        |                                       | SPI0_CS1    | 3               | IO          |                    |
|         |         |         |         |        |        |        |        |                                       | I2C1_SDA    | 4               | IOD         |                    |
|         |         |         |         |        |        |        |        |                                       | TIMA0_C1    | 5               | IO          |                    |
|         |         |         |         |        |        |        |        |                                       | COMP0_OUT   | 6               | O           |                    |
|         |         |         |         |        |        |        |        |                                       | TIM9_C0     | 7               | IO          |                    |
|         |         |         |         |        |        |        |        |                                       | TIMA0_C2    | 8               | IO          |                    |
|         |         |         |         |        |        |        |        |                                       | UART7_CTS   | 9               | I           |                    |
|         |         |         |         |        |        |        |        |                                       | UART1_TX    | 10              | O           |                    |
|         |         |         |         |        |        |        |        |                                       | SPI0_CS3    | 11              | IO          |                    |
|         |         |         |         |        |        |        |        |                                       | COMP1_OUT   | 12              | O           |                    |
|         |         |         |         |        |        |        |        |                                       | TIM7_C0     | 13              | IO          |                    |
|         |         |         |         |        |        |        |        |                                       | LFXIN       | (Non-IOMUX 1) 0 | A           |                    |
| 8       | A7      | A1      | 10      | 10     | 44     | 12     | 17     | PA4<br>PINCM9<br>0x40428020           | PA4         | 1               | IO          | SDIO<br>(standard) |
|         |         |         |         |        |        |        |        |                                       | TIM8_C1     | 2               | IO          |                    |
|         |         |         |         |        |        |        |        |                                       | SPI0_POCI   | 3               | IO          |                    |
|         |         |         |         |        |        |        |        |                                       | I2C1_SCL    | 4               | IOD         |                    |
|         |         |         |         |        |        |        |        |                                       | TIMA0_C1N   | 5               | O           |                    |
|         |         |         |         |        |        |        |        |                                       | LFCLK_IN    | 6               | I           |                    |
|         |         |         |         |        |        |        |        |                                       | TIM9_IDX    | 7               | I           |                    |
|         |         |         |         |        |        |        |        |                                       | TIMA0_C3    | 8               | IO          |                    |
|         |         |         |         |        |        |        |        |                                       | UART7_RTS   | 9               | O           |                    |
|         |         |         |         |        |        |        |        |                                       | UART1_RX    | 10              | I           |                    |
|         |         |         |         |        |        |        |        |                                       | SPI0_CS0    | 11              | IO          |                    |
|         |         |         |         |        |        |        |        |                                       | SPI2_CS0    | 12              | IO          |                    |
|         |         |         |         |        |        |        |        |                                       | TIM7_C1     | 13              | IO          |                    |
|         |         |         |         |        |        |        |        |                                       | LFXOUT      | (Non-IOMUX 1) 0 | A           |                    |

**Table 6-2. Pin Attributes (continued)**

| RHB PIN   | ZAW PIN         | YCJ PIN | RGZ PIN | PT PIN | PM PIN | PN PIN | PZ PIN | PIN NAME/<br>IOMUX REG/<br>IOMUX ADDR | SIGNAL NAME | IOMUX PF | SIGNAL TYPE | BUFFER TYPE        |
|-----------|-----------------|---------|---------|--------|--------|--------|--------|---------------------------------------|-------------|----------|-------------|--------------------|
| 9         | A8              | B2      | 11      | 11     | 45     | 13     | 18     | PA5<br>PINCM10<br>0x40428024          | PA5         | 1        | IO          | SDIO<br>(standard) |
|           |                 |         |         |        |        |        |        |                                       | TIMG8_C0    | 2        | IO          |                    |
|           |                 |         |         |        |        |        |        |                                       | SPI0_PICO   | 3        | IO          |                    |
|           |                 |         |         |        |        |        |        |                                       | I2C1_SDA    | 4        | IOD         |                    |
|           |                 |         |         |        |        |        |        |                                       | TIMG0_C0    | 5        | IO          |                    |
|           |                 |         |         |        |        |        |        |                                       | FCC_IN      | 6        | I           |                    |
|           |                 |         |         |        |        |        |        |                                       | TIMG6_C0    | 7        | IO          |                    |
|           |                 |         |         |        |        |        |        |                                       | TIMA_FAL1   | 8        | I           |                    |
|           |                 |         |         |        |        |        |        |                                       | UART0_CTS   | 9        | I           |                    |
|           |                 |         |         |        |        |        |        |                                       | UART4_RTS   | 10       | O           |                    |
|           |                 |         |         |        |        |        |        |                                       | UART1_TX    | 11       | O           |                    |
|           |                 |         |         |        |        |        |        |                                       | SPI2_CS1    | 12       | IO          |                    |
| HFxin     | (Non-IOMUX 1) 0 | A       |         |        |        |        |        |                                       |             |          |             |                    |
| 10        | A9              | A2      | 12      | 12     | 46     | 14     | 19     | PA6<br>PINCM11<br>0x40428028          | PA6         | 1        | IO          | SDIO<br>(standard) |
|           |                 |         |         |        |        |        |        |                                       | TIMG8_C1    | 2        | IO          |                    |
|           |                 |         |         |        |        |        |        |                                       | SPI0_SCK    | 3        | IO          |                    |
|           |                 |         |         |        |        |        |        |                                       | I2C1_SCL    | 4        | IOD         |                    |
|           |                 |         |         |        |        |        |        |                                       | TIMG0_C1    | 5        | IO          |                    |
|           |                 |         |         |        |        |        |        |                                       | HFCLK_IN    | 6        | I           |                    |
|           |                 |         |         |        |        |        |        |                                       | TIMG6_C1    | 7        | IO          |                    |
|           |                 |         |         |        |        |        |        |                                       | TIMA_FAL0   | 8        | I           |                    |
|           |                 |         |         |        |        |        |        |                                       | UART0_RTS   | 9        | O           |                    |
|           |                 |         |         |        |        |        |        |                                       | TIMA0_C2N   | 10       | O           |                    |
|           |                 |         |         |        |        |        |        |                                       | UART1_RX    | 11       | I           |                    |
|           |                 |         |         |        |        |        |        |                                       | SPI2_CS2    | 12       | IO          |                    |
| HFxOUT    | (Non-IOMUX 1) 0 | A       |         |        |        |        |        |                                       |             |          |             |                    |
| 11        | B7              | D2      | 13      | 13     | 49     | 17     | 22     | PA7<br>PINCM14<br>0x40428034          | PA7         | 1        | IO          | SDIO<br>(standard) |
|           |                 |         |         |        |        |        |        |                                       | COMP0_OUT   | 2        | O           |                    |
|           |                 |         |         |        |        |        |        |                                       | CLK_OUT     | 3        | O           |                    |
|           |                 |         |         |        |        |        |        |                                       | TIMG8_C0    | 4        | IO          |                    |
|           |                 |         |         |        |        |        |        |                                       | TIMA0_C2    | 5        | IO          |                    |
|           |                 |         |         |        |        |        |        |                                       | TIMG8_IDX   | 6        | I           |                    |
|           |                 |         |         |        |        |        |        |                                       | TIMG7_C1    | 7        | IO          |                    |
|           |                 |         |         |        |        |        |        |                                       | TIMA0_C1    | 8        | IO          |                    |
|           |                 |         |         |        |        |        |        |                                       | SPI0_CS2    | 9        | IO          |                    |
|           |                 |         |         |        |        |        |        |                                       | FCC_IN      | 10       | I           |                    |
| SPI0_POCI | 11              | IO      |         |        |        |        |        |                                       |             |          |             |                    |

**Table 6-2. Pin Attributes (continued)**

| RHB PIN | ZAW PIN | YCJ PIN | RGZ PIN | PT PIN | PM PIN | PN PIN | PZ PIN | PIN NAME/<br>IOMUX REG/<br>IOMUX ADDR | SIGNAL NAME | IOMUX PF        | SIGNAL TYPE | BUFFER TYPE          |
|---------|---------|---------|---------|--------|--------|--------|--------|---------------------------------------|-------------|-----------------|-------------|----------------------|
| 12      | D10     |         | 16      | 16     | 54     | 22     | 27     | PA8<br>PINCM19<br>0x40428048          | PA8         | 1               | IO          | SDIO<br>(standard)   |
|         |         |         |         |        |        |        |        |                                       | UART1_TX    | 2               | O           |                      |
|         |         |         |         |        |        |        |        |                                       | SPI0_CS0    | 3               | IO          |                      |
|         |         |         |         |        |        |        |        |                                       | I2C0_SDA    | 4               | IOD         |                      |
|         |         |         |         |        |        |        |        |                                       | TIMA0_C0    | 5               | IO          |                      |
|         |         |         |         |        |        |        |        |                                       | TIMA_FAL2   | 6               | I           |                      |
|         |         |         |         |        |        |        |        |                                       | TIMA_FAL0   | 7               | I           |                      |
|         |         |         |         |        |        |        |        |                                       | SPI0_CS3    | 8               | IO          |                      |
|         |         |         |         |        |        |        |        |                                       | TIMG14_C2   | 9               | I           |                      |
|         |         |         |         |        |        |        |        |                                       | HFCLK_IN    | 10              | I           |                      |
|         |         |         |         |        |        |        |        |                                       | UART0_RTS   | 11              | O           |                      |
|         |         |         |         |        |        |        |        |                                       | TIMA1_C0N   | 12              | O           |                      |
| 13      | C9      | B3      | 17      | 17     | 55     | 23     | 28     | PA9<br>PINCM20<br>0x4042804c          | PA9         | 1               | IO          | HSIO<br>(High-speed) |
|         |         |         |         |        |        |        |        |                                       | UART1_RX    | 2               | I           |                      |
|         |         |         |         |        |        |        |        |                                       | SPI0_PICO   | 3               | IO          |                      |
|         |         |         |         |        |        |        |        |                                       | I2C0_SCL    | 4               | IOD         |                      |
|         |         |         |         |        |        |        |        |                                       | TIMA0_C0N   | 5               | O           |                      |
|         |         |         |         |        |        |        |        |                                       | CLK_OUT     | 6               | O           |                      |
|         |         |         |         |        |        |        |        |                                       | TIMA0_C1    | 7               | IO          |                      |
|         |         |         |         |        |        |        |        |                                       | RTC_OUT     | 8               | O           |                      |
|         |         |         |         |        |        |        |        |                                       | TIMG14_C3   | 9               | I           |                      |
|         |         |         |         |        |        |        |        |                                       | UART4_RTS   | 10              | O           |                      |
|         |         |         |         |        |        |        |        |                                       | UART0_CTS   | 11              | I           |                      |
|         |         |         |         |        |        |        |        |                                       | TIMA1_C1N   | 12              | O           |                      |
| 14      | E7      | A3      | 18      | 18     | 56     | 28     | 33     | PA10<br>PINCM21<br>0x40428050         | PA10        | 1               | IO          | HDIO<br>(high-drive) |
|         |         |         |         |        |        |        |        |                                       | UART0_TX    | 2               | O           |                      |
|         |         |         |         |        |        |        |        |                                       | SPI0_POCI   | 3               | IO          |                      |
|         |         |         |         |        |        |        |        |                                       | I2C0_SDA    | 4               | IOD         |                      |
|         |         |         |         |        |        |        |        |                                       | TIMA0_C2    | 5               | IO          |                      |
|         |         |         |         |        |        |        |        |                                       | CLK_OUT     | 6               | O           |                      |
|         |         |         |         |        |        |        |        |                                       | TIMG0_C0    | 7               | IO          |                      |
|         |         |         |         |        |        |        |        |                                       | I2C1_SDA    | 8               | IOD         |                      |
|         |         |         |         |        |        |        |        |                                       | TIMG12_C0   | 9               | IO          |                      |
|         |         |         |         |        |        |        |        |                                       | TIMA_FAL1   | 10              | I           |                      |
|         |         |         |         |        |        |        |        |                                       | TIMA1_C0    | 11              | IO          |                      |
|         |         |         |         |        |        |        |        |                                       | SPI2_SCK    | 12              | IO          |                      |
|         |         |         |         |        |        |        |        |                                       | BSLTX       | (Non-IOMUX 1) 0 | O           |                      |
|         |         |         |         |        |        |        |        |                                       | WAKE        | (Non-IOMUX 2) 0 | I           |                      |

**Table 6-2. Pin Attributes (continued)**

| RHB PIN    | ZAW PIN         | YCJ PIN | RGZ PIN | PT PIN | PM PIN | PN PIN | PZ PIN | PIN NAME/<br>IOMUX REG/<br>IOMUX ADDR | SIGNAL NAME | IOMUX PF        | SIGNAL TYPE | BUFFER TYPE          |
|------------|-----------------|---------|---------|--------|--------|--------|--------|---------------------------------------|-------------|-----------------|-------------|----------------------|
| 15         | E9              | A4      | 19      | 19     | 57     | 29     | 34     | PA11<br>PINCM22<br>0x40428054         | PA11        | 1               | IO          | HDIO<br>(high-drive) |
|            |                 |         |         |        |        |        |        |                                       | UART0_RX    | 2               | I           |                      |
|            |                 |         |         |        |        |        |        |                                       | SPI0_SCK    | 3               | IO          |                      |
|            |                 |         |         |        |        |        |        |                                       | I2C0_SCL    | 4               | IOD         |                      |
|            |                 |         |         |        |        |        |        |                                       | TIMA0_C2N   | 5               | O           |                      |
|            |                 |         |         |        |        |        |        |                                       | COMP0_OUT   | 6               | O           |                      |
|            |                 |         |         |        |        |        |        |                                       | TIMG0_C1    | 7               | IO          |                      |
|            |                 |         |         |        |        |        |        |                                       | I2C1_SCL    | 8               | IOD         |                      |
|            |                 |         |         |        |        |        |        |                                       | TIMG12_C1   | 9               | IO          |                      |
|            |                 |         |         |        |        |        |        |                                       | TIMA_FAL0   | 10              | I           |                      |
|            |                 |         |         |        |        |        |        |                                       | TIMA1_C1    | 11              | IO          |                      |
|            |                 |         |         |        |        |        |        |                                       | BSLRX       | (Non-IOMUX 1) 0 | I           |                      |
| WAKE       | (Non-IOMUX 2) 0 | I       |         |        |        |        |        |                                       |             |                 |             |                      |
| 16         | J10             | A5      | 27      | 27     | 5      | 41     | 51     | PA12<br>PINCM34<br>0x40428084         | PA12        | 1               | IO          | HSIO<br>(High-speed) |
|            |                 |         |         |        |        |        |        |                                       | UART3_CTS   | 2               | I           |                      |
|            |                 |         |         |        |        |        |        |                                       | SPI0_SCK    | 3               | IO          |                      |
|            |                 |         |         |        |        |        |        |                                       | COMP0_OUT   | 4               | O           |                      |
|            |                 |         |         |        |        |        |        |                                       | TIMA0_C3    | 5               | IO          |                      |
|            |                 |         |         |        |        |        |        |                                       | FCC_IN      | 6               | I           |                      |
|            |                 |         |         |        |        |        |        |                                       | TIMG0_C0    | 7               | IO          |                      |
|            |                 |         |         |        |        |        |        |                                       | SPI1_CS1    | 8               | IO          |                      |
|            |                 |         |         |        |        |        |        |                                       | SPI0_CS1    | 9               | IO          |                      |
|            |                 |         |         |        |        |        |        |                                       | UART7_CTS   | 10              | I           |                      |
|            |                 |         |         |        |        |        |        |                                       | UART1_CTS   | 11              | I           |                      |
|            |                 |         |         |        |        |        |        |                                       | CAN0_TX     | 12              | O           |                      |
| A0_8       | (Non-IOMUX 1) 0 | A       |         |        |        |        |        |                                       |             |                 |             |                      |
| 17         | K10             | A6      | 28      | 28     | 6      | 42     | 52     | PA13<br>PINCM35<br>0x40428088         | PA13        | 1               | IO          | HSIO<br>(High-speed) |
|            |                 |         |         |        |        |        |        |                                       | UART3_RTS   | 2               | O           |                      |
|            |                 |         |         |        |        |        |        |                                       | SPI0_POCI   | 3               | IO          |                      |
|            |                 |         |         |        |        |        |        |                                       | UART3_RX    | 4               | I           |                      |
|            |                 |         |         |        |        |        |        |                                       | TIMA0_C3N   | 5               | O           |                      |
|            |                 |         |         |        |        |        |        |                                       | RTC_OUT     | 6               | O           |                      |
|            |                 |         |         |        |        |        |        |                                       | TIMG0_C1    | 7               | IO          |                      |
|            |                 |         |         |        |        |        |        |                                       | SPI1_CS0    | 8               | IO          |                      |
|            |                 |         |         |        |        |        |        |                                       | SPI0_CS3    | 9               | IO          |                      |
|            |                 |         |         |        |        |        |        |                                       | UART7_TX    | 10              | O           |                      |
|            |                 |         |         |        |        |        |        |                                       | UART1_RTS   | 11              | O           |                      |
|            |                 |         |         |        |        |        |        |                                       | CAN0_RX     | 12              | I           |                      |
| A0_9       | (Non-IOMUX 1) 0 | A       |         |        |        |        |        |                                       |             |                 |             |                      |
| COMP0_IN2- | (Non-IOMUX 2) 0 | A       |         |        |        |        |        |                                       |             |                 |             |                      |

**Table 6-2. Pin Attributes (continued)**

| RHB PIN    | ZAW PIN         | YCJ PIN | RGZ PIN | PT PIN | PM PIN | PN PIN | PZ PIN | PIN NAME/<br>IOMUX REG/<br>IOMUX ADDR | SIGNAL NAME | IOMUX PF        | SIGNAL TYPE | BUFFER TYPE          |
|------------|-----------------|---------|---------|--------|--------|--------|--------|---------------------------------------|-------------|-----------------|-------------|----------------------|
| 18         | K8              | B5      | 29      | 29     | 7      | 43     | 53     | PA14<br>PINCM36<br>0x4042808c         | PA14        | 1               | IO          | HSIO<br>(High-speed) |
|            |                 |         |         |        |        |        |        |                                       | UART0_CTS   | 2               | I           |                      |
|            |                 |         |         |        |        |        |        |                                       | SPI0_PICO   | 3               | IO          |                      |
|            |                 |         |         |        |        |        |        |                                       | UART3_TX    | 4               | O           |                      |
|            |                 |         |         |        |        |        |        |                                       | TIMG12_C0   | 5               | IO          |                      |
|            |                 |         |         |        |        |        |        |                                       | CLK_OUT     | 6               | O           |                      |
|            |                 |         |         |        |        |        |        |                                       | TIMG12_C1   | 7               | IO          |                      |
|            |                 |         |         |        |        |        |        |                                       | SPI1_CS2    | 8               | IO          |                      |
|            |                 |         |         |        |        |        |        |                                       | SPI0_CS2    | 9               | IO          |                      |
|            |                 |         |         |        |        |        |        |                                       | UART7_RX    | 10              | I           |                      |
|            |                 |         |         |        |        |        |        |                                       | A0_12       | (Non-IOMUX 1) 0 | A           |                      |
| COMP0_IN2+ | (Non-IOMUX 2) 0 | A       |         |        |        |        |        |                                       |             |                 |             |                      |
| 19         | K7              | B6      | 30      | 30     | 8      | 44     | 54     | PA15<br>PINCM37<br>0x40428090         | PA15        | 1               | IO          | SDIO<br>(standard)   |
|            |                 |         |         |        |        |        |        |                                       | UART0_RTS   | 2               | O           |                      |
|            |                 |         |         |        |        |        |        |                                       | SPI1_CS2    | 3               | IO          |                      |
|            |                 |         |         |        |        |        |        |                                       | I2C1_SCL    | 4               | IOD         |                      |
|            |                 |         |         |        |        |        |        |                                       | TIMA0_C2    | 5               | IO          |                      |
|            |                 |         |         |        |        |        |        |                                       | I2C2_SCL    | 6               | IOD         |                      |
|            |                 |         |         |        |        |        |        |                                       | TIMG8_IDX   | 7               | I           |                      |
|            |                 |         |         |        |        |        |        |                                       | TIMG12_C0   | 8               | IO          |                      |
|            |                 |         |         |        |        |        |        |                                       | TIMA1_C0N   | 9               | O           |                      |
|            |                 |         |         |        |        |        |        |                                       | UART7_RTS   | 10              | O           |                      |
|            |                 |         |         |        |        |        |        |                                       | TIMA1_C0    | 11              | IO          |                      |
| A1_0       | (Non-IOMUX 1) 0 | A       |         |        |        |        |        |                                       |             |                 |             |                      |
| DAC_OUT    | (Non-IOMUX 2) 0 | O       |         |        |        |        |        |                                       |             |                 |             |                      |
| COMP0_IN3+ | (Non-IOMUX 3) 0 | A       |         |        |        |        |        |                                       |             |                 |             |                      |
| COMP1_IN3+ | (Non-IOMUX 4) 0 | A       |         |        |        |        |        |                                       |             |                 |             |                      |
| 20         | H7              | C5      | 31      | 31     | 9      | 45     | 55     | PA16<br>PINCM38<br>0x40428094         | PA16        | 1               | IO          | SDIO<br>(standard)   |
|            |                 |         |         |        |        |        |        |                                       | COMP0_OUT   | 2               | O           |                      |
|            |                 |         |         |        |        |        |        |                                       | SPI1_POCI   | 3               | IO          |                      |
|            |                 |         |         |        |        |        |        |                                       | I2C1_SDA    | 4               | IOD         |                      |
|            |                 |         |         |        |        |        |        |                                       | TIMA0_C2N   | 5               | O           |                      |
|            |                 |         |         |        |        |        |        |                                       | I2C2_SDA    | 6               | IOD         |                      |
|            |                 |         |         |        |        |        |        |                                       | FCC_IN      | 7               | I           |                      |
|            |                 |         |         |        |        |        |        |                                       | TIMG12_C1   | 8               | IO          |                      |
|            |                 |         |         |        |        |        |        |                                       | COMP2_OUT   | 9               | O           |                      |
|            |                 |         |         |        |        |        |        |                                       | UART7_CTS   | 10              | I           |                      |
|            |                 |         |         |        |        |        |        |                                       | TIMA1_C1    | 11              | IO          |                      |
| TIMA1_C1N  | 12              | O       |         |        |        |        |        |                                       |             |                 |             |                      |
| A1_1       | (Non-IOMUX 1) 0 | A       |         |        |        |        |        |                                       |             |                 |             |                      |

**Table 6-2. Pin Attributes (continued)**

| RHB PIN    | ZAW PIN         | YCJ PIN | RGZ PIN | PT PIN | PM PIN | PN PIN | PZ PIN | PIN NAME/<br>IOMUX REG/<br>IOMUX ADDR | SIGNAL NAME | IOMUX PF        | SIGNAL TYPE | BUFFER TYPE                     |
|------------|-----------------|---------|---------|--------|--------|--------|--------|---------------------------------------|-------------|-----------------|-------------|---------------------------------|
| 21         | K4              | D4      | 32      | 32     | 10     | 54     | 69     | PA17<br>PINCM39<br>0x40428098         | PA17        | 1               | IO          | SDIO<br>(standard<br>with wake) |
|            |                 |         |         |        |        |        |        |                                       | UART1_TX    | 2               | O           |                                 |
|            |                 |         |         |        |        |        |        |                                       | SPI1_SCK    | 3               | IO          |                                 |
|            |                 |         |         |        |        |        |        |                                       | I2C1_SCL    | 4               | IOD         |                                 |
|            |                 |         |         |        |        |        |        |                                       | TIMA0_C3    | 5               | IO          |                                 |
|            |                 |         |         |        |        |        |        |                                       | TIMG8_C0    | 7               | IO          |                                 |
|            |                 |         |         |        |        |        |        |                                       | TIMG12_C0   | 8               | IO          |                                 |
|            |                 |         |         |        |        |        |        |                                       | SPI0_CS1    | 9               | IO          |                                 |
|            |                 |         |         |        |        |        |        |                                       | TIMA1_C0    | 10              | IO          |                                 |
|            |                 |         |         |        |        |        |        |                                       | TIMG7_C0    | 11              | IO          |                                 |
|            |                 |         |         |        |        |        |        |                                       | WAKE        | (Non-IOMUX 1) 0 | I           |                                 |
| A1_2       | (Non-IOMUX 2) 0 | A       |         |        |        |        |        |                                       |             |                 |             |                                 |
| COMP0_IN1- | (Non-IOMUX 3) 0 | A       |         |        |        |        |        |                                       |             |                 |             |                                 |
| 22         | K3              | E5      | 33      | 33     | 11     | 55     | 70     | PA18<br>PINCM40<br>0x4042809c         | PA18        | 1               | IO          | SDIO<br>(standard<br>with wake) |
|            |                 |         |         |        |        |        |        |                                       | UART1_RX    | 2               | I           |                                 |
|            |                 |         |         |        |        |        |        |                                       | SPI1_PICO   | 3               | IO          |                                 |
|            |                 |         |         |        |        |        |        |                                       | I2C1_SDA    | 4               | IOD         |                                 |
|            |                 |         |         |        |        |        |        |                                       | TIMA0_C3N   | 5               | O           |                                 |
|            |                 |         |         |        |        |        |        |                                       | TIMG8_C1    | 7               | IO          |                                 |
|            |                 |         |         |        |        |        |        |                                       | TIMG12_C1   | 8               | IO          |                                 |
|            |                 |         |         |        |        |        |        |                                       | SPI0_CS0    | 9               | IO          |                                 |
|            |                 |         |         |        |        |        |        |                                       | TIMA1_C1    | 10              | IO          |                                 |
|            |                 |         |         |        |        |        |        |                                       | TIMG7_C1    | 11              | IO          |                                 |
|            |                 |         |         |        |        |        |        |                                       | BSL_invoke  | (Non-IOMUX 1) 0 | I           |                                 |
| WAKE       | (Non-IOMUX 2) 0 | I       |         |        |        |        |        |                                       |             |                 |             |                                 |
| A1_3       | (Non-IOMUX 3) 0 | A       |         |        |        |        |        |                                       |             |                 |             |                                 |
| COMP0_IN1+ | (Non-IOMUX 4) 0 | A       |         |        |        |        |        |                                       |             |                 |             |                                 |
| 23         | J4              | E6      | 34      | 34     | 12     | 56     | 71     | PA19<br>PINCM41<br>0x404280a0         | PA19        | 1               | IO          | SDIO<br>(standard)              |
|            |                 |         |         |        |        |        |        |                                       | SWDIO       | 2               | IO          |                                 |
|            |                 |         |         |        |        |        |        |                                       | SPI1_POCI   | 3               | IO          |                                 |
|            |                 |         |         |        |        |        |        |                                       | I2C1_SDA    | 4               | IOD         |                                 |
|            |                 |         |         |        |        |        |        |                                       | TIMA0_C2    | 5               | IO          |                                 |
|            |                 |         |         |        |        |        |        |                                       | TIMG0_C0    | 6               | IO          |                                 |
| A0_13      | (Non-IOMUX 1) 0 | A       |         |        |        |        |        |                                       |             |                 |             |                                 |
| 24         | J3              | F6      | 35      | 35     | 13     | 57     | 72     | PA20<br>PINCM42<br>0x404280a4         | PA20        | 1               | IO          | SDIO<br>(standard)              |
|            |                 |         |         |        |        |        |        |                                       | SWCLK       | 2               | I           |                                 |
|            |                 |         |         |        |        |        |        |                                       | SPI1_SCK    | 3               | IO          |                                 |
|            |                 |         |         |        |        |        |        |                                       | I2C1_SCL    | 4               | IOD         |                                 |
|            |                 |         |         |        |        |        |        |                                       | TIMA0_C2N   | 5               | O           |                                 |
|            |                 |         |         |        |        |        |        |                                       | TIMG0_C1    | 6               | IO          |                                 |
| A0_14      | (Non-IOMUX 1) 0 | A       |         |        |        |        |        |                                       |             |                 |             |                                 |



**Table 6-2. Pin Attributes (continued)**

| RHB PIN | ZAW PIN         | YCJ PIN | RGZ PIN | PT PIN | PM PIN | PN PIN | PZ PIN | PIN NAME/<br>IOMUX REG/<br>IOMUX ADDR | SIGNAL NAME | IOMUX PF        | SIGNAL TYPE | BUFFER TYPE        |
|---------|-----------------|---------|---------|--------|--------|--------|--------|---------------------------------------|-------------|-----------------|-------------|--------------------|
| 25      | J2              | G5      | 39      | 39     | 17     | 61     | 76     | PA21<br>PINCM46<br>0x404280b4         | PA21        | 1               | IO          | SDIO<br>(standard) |
|         |                 |         |         |        |        |        |        |                                       | UART7_TX    | 2               | O           |                    |
|         |                 |         |         |        |        |        |        |                                       | SPI0_CS3    | 3               | IO          |                    |
|         |                 |         |         |        |        |        |        |                                       | UART1_CTS   | 4               | I           |                    |
|         |                 |         |         |        |        |        |        |                                       | TIMA0_C0    | 5               | IO          |                    |
|         |                 |         |         |        |        |        |        |                                       | SPI1_CS1    | 7               | IO          |                    |
|         |                 |         |         |        |        |        |        |                                       | UART7_CTS   | 8               | I           |                    |
|         |                 |         |         |        |        |        |        |                                       | UART4_RTS   | 9               | O           |                    |
|         |                 |         |         |        |        |        |        |                                       | TIMG8_C0    | 10              | IO          |                    |
|         |                 |         |         |        |        |        |        |                                       | TIMG6_C0    | 11              | IO          |                    |
|         |                 |         |         |        |        |        |        |                                       | A1_7        | (Non-IOMUX 1) 0 | A           |                    |
|         |                 |         |         |        |        |        |        |                                       | COMP2_IN1-  | (Non-IOMUX 2) 0 | A           |                    |
| VREF-   | (Non-IOMUX 3) 0 | A       |         |        |        |        |        |                                       |             |                 |             |                    |
| 26      | H2              | F5      | 40      | 40     | 18     | 62     | 77     | PA22<br>PINCM47<br>0x404280b8         | PA22        | 1               | IO          | SDIO<br>(standard) |
|         |                 |         |         |        |        |        |        |                                       | UART7_RX    | 2               | I           |                    |
|         |                 |         |         |        |        |        |        |                                       | SPI0_CS2    | 3               | IO          |                    |
|         |                 |         |         |        |        |        |        |                                       | UART1_RTS   | 4               | O           |                    |
|         |                 |         |         |        |        |        |        |                                       | TIMA0_C0N   | 5               | O           |                    |
|         |                 |         |         |        |        |        |        |                                       | TIMA0_C1    | 7               | IO          |                    |
|         |                 |         |         |        |        |        |        |                                       | CLK_OUT     | 8               | O           |                    |
|         |                 |         |         |        |        |        |        |                                       | I2C0_SCL    | 9               | IOD         |                    |
|         |                 |         |         |        |        |        |        |                                       | TIMG8_C1    | 10              | IO          |                    |
|         |                 |         |         |        |        |        |        |                                       | TIMG6_C1    | 12              | IO          |                    |
| A0_7    | (Non-IOMUX 1) 0 | A       |         |        |        |        |        |                                       |             |                 |             |                    |
| 27      | E1              | G4      | 43      | 43     | 24     | 72     | 92     | PA23<br>PINCM53<br>0x404280d0         | PA23        | 1               | IO          | SDIO<br>(standard) |
|         |                 |         |         |        |        |        |        |                                       | UART7_TX    | 2               | O           |                    |
|         |                 |         |         |        |        |        |        |                                       | SPI0_CS3    | 3               | IO          |                    |
|         |                 |         |         |        |        |        |        |                                       | I2C2_SCL    | 4               | IOD         |                    |
|         |                 |         |         |        |        |        |        |                                       | TIMA0_C3    | 5               | IO          |                    |
|         |                 |         |         |        |        |        |        |                                       | TIMG8_C0    | 6               | IO          |                    |
|         |                 |         |         |        |        |        |        |                                       | UART3_CTS   | 8               | I           |                    |
|         |                 |         |         |        |        |        |        |                                       | TIMG0_C0    | 9               | IO          |                    |
|         |                 |         |         |        |        |        |        |                                       | SPI1_CS1    | 10              | IO          |                    |
|         |                 |         |         |        |        |        |        |                                       | TIMG7_C0    | 11              | IO          |                    |
|         |                 |         |         |        |        |        |        |                                       | A1_12       | (Non-IOMUX 1) 0 | A           |                    |
|         |                 |         |         |        |        |        |        |                                       | COMP1_IN1-  | (Non-IOMUX 2) 0 | A           |                    |
| VREF+   | (Non-IOMUX 3) 0 | A       |         |        |        |        |        |                                       |             |                 |             |                    |

**Table 6-2. Pin Attributes (continued)**

| RHB PIN    | ZAW PIN         | YCJ PIN | RGZ PIN | PT PIN | PM PIN | PN PIN | PZ PIN | PIN NAME/<br>IOMUX REG/<br>IOMUX ADDR | SIGNAL NAME | IOMUX PF        | SIGNAL TYPE | BUFFER TYPE        |
|------------|-----------------|---------|---------|--------|--------|--------|--------|---------------------------------------|-------------|-----------------|-------------|--------------------|
| 28         | E2              | F4      | 44      | 44     | 25     | 73     | 93     | PA24<br>PINCM54<br>0x404280d4         | PA24        | 1               | IO          | SDIO<br>(standard) |
|            |                 |         |         |        |        |        |        |                                       | UART7_RX    | 2               | I           |                    |
|            |                 |         |         |        |        |        |        |                                       | SPI0_CS2    | 3               | IO          |                    |
|            |                 |         |         |        |        |        |        |                                       | I2C2_SDA    | 4               | IOD         |                    |
|            |                 |         |         |        |        |        |        |                                       | TIMA0_C3N   | 5               | O           |                    |
|            |                 |         |         |        |        |        |        |                                       | TIMG8_C1    | 6               | IO          |                    |
|            |                 |         |         |        |        |        |        |                                       | TIMA1_C1    | 7               | IO          |                    |
|            |                 |         |         |        |        |        |        |                                       | UART3_RTS   | 8               | O           |                    |
|            |                 |         |         |        |        |        |        |                                       | TIMG0_C1    | 9               | IO          |                    |
|            |                 |         |         |        |        |        |        |                                       | SPI1_CS2    | 10              | IO          |                    |
|            |                 |         |         |        |        |        |        |                                       | TIMG7_C1    | 11              | IO          |                    |
| A0_3       | (Non-IOMUX 1) 0 | A       |         |        |        |        |        |                                       |             |                 |             |                    |
| 29         | D1              | F3      | 45      | 45     | 26     | 74     | 94     | PA25<br>PINCM55<br>0x404280d8         | PA25        | 1               | IO          | SDIO<br>(standard) |
|            |                 |         |         |        |        |        |        |                                       | UART3_RX    | 2               | I           |                    |
|            |                 |         |         |        |        |        |        |                                       | SPI1_CS3    | 3               | IO          |                    |
|            |                 |         |         |        |        |        |        |                                       | TIMG12_C1   | 4               | IO          |                    |
|            |                 |         |         |        |        |        |        |                                       | TIMA0_C3    | 5               | IO          |                    |
|            |                 |         |         |        |        |        |        |                                       | TIMA0_C1N   | 6               | O           |                    |
|            |                 |         |         |        |        |        |        |                                       | COMP0_OUT   | 7               | O           |                    |
|            |                 |         |         |        |        |        |        |                                       | UART7_CTS   | 8               | I           |                    |
|            |                 |         |         |        |        |        |        |                                       | UART3_TX    | 9               | O           |                    |
| A0_2       | (Non-IOMUX 1) 0 | A       |         |        |        |        |        |                                       |             |                 |             |                    |
| 30         | C2              | G3      | 46      | 46     | 30     | 78     | 98     | PA26<br>PINCM59<br>0x404280e8         | PA26        | 1               | IO          | SDIO<br>(standard) |
|            |                 |         |         |        |        |        |        |                                       | UART3_TX    | 2               | O           |                    |
|            |                 |         |         |        |        |        |        |                                       | SPI1_CS0    | 3               | IO          |                    |
|            |                 |         |         |        |        |        |        |                                       | TIMG8_C0    | 4               | IO          |                    |
|            |                 |         |         |        |        |        |        |                                       | TIMA_FAL0   | 5               | I           |                    |
|            |                 |         |         |        |        |        |        |                                       | TIMA0_C3N   | 6               | O           |                    |
|            |                 |         |         |        |        |        |        |                                       | UART7_RTS   | 8               | O           |                    |
|            |                 |         |         |        |        |        |        |                                       | UART3_RX    | 9               | I           |                    |
|            |                 |         |         |        |        |        |        |                                       | CAN0_TX     | 10              | O           |                    |
|            |                 |         |         |        |        |        |        |                                       | TIMG7_C0    | 11              | IO          |                    |
|            |                 |         |         |        |        |        |        |                                       | A0_1        | (Non-IOMUX 1) 0 | A           |                    |
| COMP0_IN0+ | (Non-IOMUX 2) 0 | A       |         |        |        |        |        |                                       |             |                 |             |                    |
| 31         | B2              | G2      | 47      | 47     | 31     | 79     | 99     | PA27<br>PINCM60<br>0x404280ec         | PA27        | 1               | IO          | SDIO<br>(standard) |
|            |                 |         |         |        |        |        |        |                                       | UART3_RX    | 2               | I           |                    |
|            |                 |         |         |        |        |        |        |                                       | SPI1_CS1    | 3               | IO          |                    |
|            |                 |         |         |        |        |        |        |                                       | TIMG8_C1    | 4               | IO          |                    |
|            |                 |         |         |        |        |        |        |                                       | TIMA_FAL2   | 5               | I           |                    |
|            |                 |         |         |        |        |        |        |                                       | CLK_OUT     | 6               | O           |                    |
|            |                 |         |         |        |        |        |        |                                       | RTC_OUT     | 8               | O           |                    |
|            |                 |         |         |        |        |        |        |                                       | COMP0_OUT   | 9               | O           |                    |
|            |                 |         |         |        |        |        |        |                                       | CAN0_RX     | 10              | I           |                    |
|            |                 |         |         |        |        |        |        |                                       | TIMG7_C1    | 11              | IO          |                    |
|            |                 |         |         |        |        |        |        |                                       | A0_0        | (Non-IOMUX 1) 0 | A           |                    |
| COMP0_IN0- | (Non-IOMUX 2) 0 | A       |         |        |        |        |        |                                       |             |                 |             |                    |

**Table 6-2. Pin Attributes (continued)**

| RHB PIN   | ZAW PIN         | YCJ PIN | RGZ PIN | PT PIN | PM PIN                       | PN PIN                       | PZ PIN                       | PIN NAME/<br>IOMUX REG/<br>IOMUX ADDR | SIGNAL NAME        | IOMUX PF                     | SIGNAL TYPE          | BUFFER TYPE |
|-----------|-----------------|---------|---------|--------|------------------------------|------------------------------|------------------------------|---------------------------------------|--------------------|------------------------------|----------------------|-------------|
| C3        | 3               | 3       | 35      | 3      | 3                            | 3                            | PA28<br>PINCM3<br>0x40428008 | PA28                                  | 1                  | IO                           | HDIO<br>(high-drive) |             |
|           |                 |         |         |        |                              |                              |                              | UART0_TX                              | 2                  | O                            |                      |             |
|           |                 |         |         |        |                              |                              |                              | I2C0_SDA                              | 3                  | IOD                          |                      |             |
|           |                 |         |         |        |                              |                              |                              | TIMA0_C3                              | 4                  | IO                           |                      |             |
|           |                 |         |         |        |                              |                              |                              | TIMA_FAL0                             | 5                  | I                            |                      |             |
|           |                 |         |         |        |                              |                              |                              | TIMA0_C1                              | 7                  | IO                           |                      |             |
|           |                 |         |         |        |                              |                              |                              | TIMA1_C0                              | 9                  | IO                           |                      |             |
|           |                 |         |         |        |                              |                              |                              | TIMG14_C2                             | 10                 | I                            |                      |             |
|           |                 |         |         |        |                              |                              |                              | TIMG7_C0                              | 11                 | IO                           |                      |             |
|           |                 |         |         |        |                              |                              |                              | UART5_CTS                             | 12                 | I                            |                      |             |
|           |                 |         |         |        |                              |                              |                              | WAKE                                  | (Non-IOMUX 1) 0    | I                            |                      |             |
| B3        | 36              | 4       | 4       | 4      | PA29<br>PINCM4<br>0x4042800c | PA29                         | 1                            | IO                                    | SDIO<br>(standard) |                              |                      |             |
|           |                 |         |         |        |                              | I2C1_SCL                     | 2                            | IOD                                   |                    |                              |                      |             |
|           |                 |         |         |        |                              | UART7_RTS                    | 3                            | O                                     |                    |                              |                      |             |
|           |                 |         |         |        |                              | TIMG8_C0                     | 4                            | IO                                    |                    |                              |                      |             |
|           |                 |         |         |        |                              | I2C2_SCL                     | 6                            | IOD                                   |                    |                              |                      |             |
|           |                 |         |         |        |                              | UART0_CTS                    | 7                            | I                                     |                    |                              |                      |             |
|           |                 |         |         |        |                              | SPI0_CS3                     | 8                            | IO                                    |                    |                              |                      |             |
|           |                 |         |         |        |                              | TIMG6_C0                     | 9                            | IO                                    |                    |                              |                      |             |
|           |                 |         |         |        |                              | TIMG14_C3                    | 10                           | I                                     |                    |                              |                      |             |
|           |                 |         |         |        |                              | TIMG14_C0                    | 11                           | I                                     |                    |                              |                      |             |
|           |                 |         |         |        |                              | UART5_RTS                    | 12                           | O                                     |                    |                              |                      |             |
| D4        | 37              | 5       | 5       | 5      | PA30<br>PINCM5<br>0x40428010 | PA30                         | 1                            | IO                                    | SDIO<br>(standard) |                              |                      |             |
|           |                 |         |         |        |                              | I2C1_SDA                     | 2                            | IOD                                   |                    |                              |                      |             |
|           |                 |         |         |        |                              | UART7_CTS                    | 3                            | I                                     |                    |                              |                      |             |
|           |                 |         |         |        |                              | TIMG8_C1                     | 4                            | IO                                    |                    |                              |                      |             |
|           |                 |         |         |        |                              | I2C2_SDA                     | 6                            | IOD                                   |                    |                              |                      |             |
|           |                 |         |         |        |                              | UART0_RTS                    | 7                            | O                                     |                    |                              |                      |             |
|           |                 |         |         |        |                              | SPI0_CS2                     | 8                            | IO                                    |                    |                              |                      |             |
|           |                 |         |         |        |                              | TIMG6_C1                     | 9                            | IO                                    |                    |                              |                      |             |
| TIMG14_C1 | 11              | I       |         |        |                              |                              |                              |                                       |                    |                              |                      |             |
| A3        | 5               | 5       | 39      | 7      | 7                            | PA31<br>PINCM6<br>0x40428014 | PA31                         | 1                                     | IO                 | SDIO<br>(standard with wake) |                      |             |
|           |                 |         |         |        |                              |                              | UART0_RX                     | 2                                     | I                  |                              |                      |             |
|           |                 |         |         |        |                              |                              | I2C0_SCL                     | 3                                     | IOD                |                              |                      |             |
|           |                 |         |         |        |                              |                              | TIMA0_C3N                    | 4                                     | O                  |                              |                      |             |
|           |                 |         |         |        |                              |                              | TIMG12_C1                    | 5                                     | IO                 |                              |                      |             |
|           |                 |         |         |        |                              |                              | CLK_OUT                      | 6                                     | O                  |                              |                      |             |
|           |                 |         |         |        |                              |                              | SPI0_CS3                     | 8                                     | IO                 |                              |                      |             |
|           |                 |         |         |        |                              |                              | TIMG7_C1                     | 9                                     | IO                 |                              |                      |             |
|           |                 |         |         |        |                              |                              | TIMA1_C1                     | 11                                    | IO                 |                              |                      |             |
| WAKE      | (Non-IOMUX 1) 0 | I       |         |        |                              |                              |                              |                                       |                    |                              |                      |             |

**Table 6-2. Pin Attributes (continued)**

| RHB PIN   | ZAW PIN | YCJ PIN | RGZ PIN | PT PIN | PM PIN | PN PIN | PZ PIN | PIN NAME/<br>IOMUX REG/<br>IOMUX ADDR | SIGNAL NAME | IOMUX PF | SIGNAL TYPE | BUFFER TYPE        |
|-----------|---------|---------|---------|--------|--------|--------|--------|---------------------------------------|-------------|----------|-------------|--------------------|
| C6        |         |         |         |        | 47     | 15     | 20     | PB0<br>PINCM12<br>0x4042802c          | PB0         | 1        | IO          | SDIO<br>(standard) |
|           |         |         |         |        |        |        |        |                                       | UART0_TX    | 2        | O           |                    |
|           |         |         |         |        |        |        |        |                                       | SPI1_CS2    | 3        | IO          |                    |
|           |         |         |         |        |        |        |        |                                       | I2C0_SCL    | 4        | IOD         |                    |
|           |         |         |         |        |        |        |        |                                       | TIMA0_C2    | 5        | IO          |                    |
|           |         |         |         |        |        |        |        |                                       | TIMG0_C0    | 6        | IO          |                    |
|           |         |         |         |        |        |        |        |                                       | SPI0_CS3    | 7        | IO          |                    |
|           |         |         |         |        |        |        |        |                                       | TIMA1_C0    | 8        | IO          |                    |
|           |         |         |         |        |        |        |        |                                       | TIMG14_C2   | 9        | I           |                    |
|           |         |         |         |        |        |        |        |                                       | SPI2_CS3    | 12       | IO          |                    |
| C7        |         |         |         |        | 48     | 16     | 21     | PB1<br>PINCM13<br>0x40428030          | PB1         | 1        | IO          | SDIO<br>(standard) |
|           |         |         |         |        |        |        |        |                                       | UART0_RX    | 2        | I           |                    |
|           |         |         |         |        |        |        |        |                                       | SPI1_CS3    | 3        | IO          |                    |
|           |         |         |         |        |        |        |        |                                       | I2C0_SDA    | 4        | IOD         |                    |
|           |         |         |         |        |        |        |        |                                       | TIMA0_C2N   | 5        | O           |                    |
|           |         |         |         |        |        |        |        |                                       | TIMG0_C1    | 6        | IO          |                    |
|           |         |         |         |        |        |        |        |                                       | SPI0_CS2    | 7        | IO          |                    |
|           |         |         |         |        |        |        |        |                                       | TIMA1_C1    | 8        | IO          |                    |
| TIMG14_C3 | 9       | I       |         |        |        |        |        |                                       |             |          |             |                    |
| C8        | C3      | 14      | 14      | 14     | 50     | 18     | 23     | PB2<br>PINCM15<br>0x40428038          | PB2         | 1        | IO          | SDIO<br>(standard) |
|           |         |         |         |        |        |        |        |                                       | UART3_TX    | 2        | O           |                    |
|           |         |         |         |        |        |        |        |                                       | UART7_CTS   | 3        | I           |                    |
|           |         |         |         |        |        |        |        |                                       | I2C1_SCL    | 4        | IOD         |                    |
|           |         |         |         |        |        |        |        |                                       | TIMA0_C3    | 5        | IO          |                    |
|           |         |         |         |        |        |        |        |                                       | UART1_CTS   | 6        | I           |                    |
|           |         |         |         |        |        |        |        |                                       | TIMG14_C0   | 7        | I           |                    |
|           |         |         |         |        |        |        |        |                                       | UART7_TX    | 8        | O           |                    |
|           |         |         |         |        |        |        |        |                                       | TIMG12_C0   | 9        | IO          |                    |
|           |         |         |         |        |        |        |        |                                       | HFCLK_IN    | 10       | I           |                    |
|           |         |         |         |        |        |        |        |                                       | SPI0_PICO   | 11       | IO          |                    |
|           |         |         |         |        |        |        |        |                                       | TIMA1_C0    | 12       | IO          |                    |
| TIMG6_C0  | 13      | IO      |         |        |        |        |        |                                       |             |          |             |                    |
| D8        | C2      | 15      | 15      | 15     | 51     | 19     | 24     | PB3<br>PINCM16<br>0x4042803c          | PB3         | 1        | IO          | SDIO<br>(standard) |
|           |         |         |         |        |        |        |        |                                       | UART3_RX    | 2        | I           |                    |
|           |         |         |         |        |        |        |        |                                       | UART7_RTS   | 3        | O           |                    |
|           |         |         |         |        |        |        |        |                                       | I2C1_SDA    | 4        | IOD         |                    |
|           |         |         |         |        |        |        |        |                                       | TIMA0_C3N   | 5        | O           |                    |
|           |         |         |         |        |        |        |        |                                       | UART1_RTS   | 6        | O           |                    |
|           |         |         |         |        |        |        |        |                                       | TIMG14_C1   | 7        | I           |                    |
|           |         |         |         |        |        |        |        |                                       | UART7_RX    | 8        | I           |                    |
|           |         |         |         |        |        |        |        |                                       | TIMG12_C1   | 9        | IO          |                    |
|           |         |         |         |        |        |        |        |                                       | TIMA0_C0    | 10       | IO          |                    |
|           |         |         |         |        |        |        |        |                                       | SPI0_SCK    | 11       | IO          |                    |
|           |         |         |         |        |        |        |        |                                       | TIMA1_C1    | 12       | IO          |                    |
|           |         |         |         |        |        |        |        |                                       | TIMG6_C1    | 13       | IO          |                    |

**Table 6-2. Pin Attributes (continued)**

| RHB PIN   | ZAW PIN | YCJ PIN | RGZ PIN | PT PIN | PM PIN | PN PIN | PZ PIN | PIN NAME/<br>IOMUX REG/<br>IOMUX ADDR | SIGNAL NAME | IOMUX PF | SIGNAL TYPE | BUFFER TYPE        |
|-----------|---------|---------|---------|--------|--------|--------|--------|---------------------------------------|-------------|----------|-------------|--------------------|
| D9        |         |         |         |        | 52     | 20     | 25     | PB4<br>PINCM17<br>0x40428040          | PB4         | 1        | IO          | SDIO<br>(standard) |
|           |         |         |         |        |        |        |        |                                       | UART1_TX    | 2        | O           |                    |
|           |         |         |         |        |        |        |        |                                       | UART3_CTS   | 3        | I           |                    |
|           |         |         |         |        |        |        |        |                                       | TIMA0_C1    | 4        | IO          |                    |
|           |         |         |         |        |        |        |        |                                       | TIMA0_C2    | 5        | IO          |                    |
|           |         |         |         |        |        |        |        |                                       | TIMG0_C0    | 6        | IO          |                    |
|           |         |         |         |        |        |        |        |                                       | TIMA1_C0    | 8        | IO          |                    |
|           |         |         |         |        |        |        |        |                                       | TIMA1_C0N   | 11       | O           |                    |
| SPI2_PICO | 12      | IO      |         |        |        |        |        |                                       |             |          |             |                    |
| B8        |         |         |         |        | 53     | 21     | 26     | PB5<br>PINCM18<br>0x40428044          | PB5         | 1        | IO          | SDIO<br>(standard) |
|           |         |         |         |        |        |        |        |                                       | UART1_RX    | 2        | I           |                    |
|           |         |         |         |        |        |        |        |                                       | UART3_RTS   | 3        | O           |                    |
|           |         |         |         |        |        |        |        |                                       | TIMA0_C1N   | 4        | O           |                    |
|           |         |         |         |        |        |        |        |                                       | TIMA0_C2N   | 5        | O           |                    |
|           |         |         |         |        |        |        |        |                                       | TIMG0_C1    | 6        | IO          |                    |
|           |         |         |         |        |        |        |        |                                       | TIMA1_C1    | 8        | IO          |                    |
|           |         |         |         |        |        |        |        |                                       | TIMA1_C1N   | 11       | O           |                    |
| SPI2_POCI | 12      | IO      |         |        |        |        |        |                                       |             |          |             |                    |
| E10       |         |         | 20      | 20     | 58     | 30     | 40     | PB6<br>PINCM23<br>0x40428058          | PB6         | 1        | IO          | SDIO<br>(standard) |
|           |         |         |         |        |        |        |        |                                       | UART1_TX    | 2        | O           |                    |
|           |         |         |         |        |        |        |        |                                       | SPI1_CS0    | 3        | IO          |                    |
|           |         |         |         |        |        |        |        |                                       | I2C2_SCL    | 4        | IOD         |                    |
|           |         |         |         |        |        |        |        |                                       | TIMG8_C0    | 5        | IO          |                    |
|           |         |         |         |        |        |        |        |                                       | UART7_CTS   | 6        | I           |                    |
|           |         |         |         |        |        |        |        |                                       | TIMG14_C3   | 7        | I           |                    |
|           |         |         |         |        |        |        |        |                                       | TIMA_FAL2   | 8        | I           |                    |
|           |         |         |         |        |        |        |        |                                       | SPI0_CS1    | 9        | IO          |                    |
|           |         |         |         |        |        |        |        |                                       | TIMG12_C0   | 10       | IO          |                    |
| TIMG6_C0  | 11      | IO      |         |        |        |        |        |                                       |             |          |             |                    |
| TIMA1_C0N | 12      | O       |         |        |        |        |        |                                       |             |          |             |                    |
| F8        | B4      | 21      |         | 21     | 59     | 31     | 41     | PB7<br>PINCM24<br>0x4042805c          | PB7         | 1        | IO          | SDIO<br>(standard) |
|           |         |         |         |        |        |        |        |                                       | UART1_RX    | 2        | I           |                    |
|           |         |         |         |        |        |        |        |                                       | SPI1_POCI   | 3        | IO          |                    |
|           |         |         |         |        |        |        |        |                                       | I2C2_SDA    | 4        | IOD         |                    |
|           |         |         |         |        |        |        |        |                                       | TIMG8_C1    | 5        | IO          |                    |
|           |         |         |         |        |        |        |        |                                       | UART7_RTS   | 6        | O           |                    |
|           |         |         |         |        |        |        |        |                                       | TIMG9_C0    | 7        | IO          |                    |
|           |         |         |         |        |        |        |        |                                       | SPI0_CS2    | 9        | IO          |                    |
|           |         |         |         |        |        |        |        |                                       | TIMG12_C1   | 10       | IO          |                    |
|           |         |         |         |        |        |        |        |                                       | TIMG6_C1    | 11       | IO          |                    |
| TIMA1_C1N | 12      | O       |         |        |        |        |        |                                       |             |          |             |                    |

**Table 6-2. Pin Attributes (continued)**

| RHB PIN   | ZAW PIN | YCJ PIN | RGZ PIN | PT PIN | PM PIN | PN PIN | PZ PIN                        | PIN NAME/<br>IOMUX REG/<br>IOMUX ADDR | SIGNAL NAME | IOMUX PF | SIGNAL TYPE        | BUFFER TYPE |
|-----------|---------|---------|---------|--------|--------|--------|-------------------------------|---------------------------------------|-------------|----------|--------------------|-------------|
| F9        | C4      | 22      | 22      | 60     | 32     | 42     | PB8<br>PINCM25<br>0x40428060  | PB8                                   | 1           | IO       | SDIO<br>(standard) |             |
|           |         |         |         |        |        |        |                               | UART1_CTS                             | 2           | I        |                    |             |
|           |         |         |         |        |        |        |                               | SPI1_PICO                             | 3           | IO       |                    |             |
|           |         |         |         |        |        |        |                               | I2C2_SCL                              | 4           | IOD      |                    |             |
|           |         |         |         |        |        |        |                               | TIMA0_C0                              | 5           | IO       |                    |             |
|           |         |         |         |        |        |        |                               | COMP0_OUT                             | 6           | O        |                    |             |
|           |         |         |         |        |        |        |                               | TIMG9_IDX                             | 7           | I        |                    |             |
| COMP1_OUT | 8       | O       |         |        |        |        |                               |                                       |             |          |                    |             |
| G7        | D3      | 23      | 23      | 61     | 33     | 43     | PB9<br>PINCM26<br>0x40428064  | PB9                                   | 1           | IO       | SDIO<br>(standard) |             |
|           |         |         |         |        |        |        |                               | UART1_RTS                             | 2           | O        |                    |             |
|           |         |         |         |        |        |        |                               | SPI1_SCK                              | 3           | IO       |                    |             |
|           |         |         |         |        |        |        |                               | I2C2_SDA                              | 4           | IOD      |                    |             |
|           |         |         |         |        |        |        |                               | TIMA0_C0N                             | 5           | O        |                    |             |
|           |         |         |         |        |        |        |                               | TIMA0_C1                              | 6           | IO       |                    |             |
| TIMG9_C1  | 13      | IO      |         |        |        |        |                               |                                       |             |          |                    |             |
| F10       |         |         |         | 62     | 34     | 44     | PB10<br>PINCM27<br>0x40428068 | PB10                                  | 1           | IO       | SDIO<br>(standard) |             |
|           |         |         |         |        |        |        |                               | TIMG0_C0                              | 2           | IO       |                    |             |
|           |         |         |         |        |        |        |                               | TIMG8_C0                              | 3           | IO       |                    |             |
|           |         |         |         |        |        |        |                               | COMP0_OUT                             | 4           | O        |                    |             |
|           |         |         |         |        |        |        |                               | UART4_TX                              | 6           | O        |                    |             |
|           |         |         |         |        |        |        |                               | SPI1_CS3                              | 7           | IO       |                    |             |
|           |         |         |         |        |        |        |                               | TIMG6_C0                              | 9           | IO       |                    |             |
| COMP1_OUT | 11      | O       |         |        |        |        |                               |                                       |             |          |                    |             |
| G9        |         |         |         | 63     | 35     | 45     | PB11<br>PINCM28<br>0x4042806c | PB11                                  | 1           | IO       | SDIO<br>(standard) |             |
|           |         |         |         |        |        |        |                               | TIMG0_C1                              | 2           | IO       |                    |             |
|           |         |         |         |        |        |        |                               | TIMG8_C1                              | 3           | IO       |                    |             |
|           |         |         |         |        |        |        |                               | CLK_OUT                               | 4           | O        |                    |             |
|           |         |         |         |        |        |        |                               | UART4_RX                              | 6           | I        |                    |             |
|           |         |         |         |        |        |        |                               | SPI1_CS2                              | 7           | IO       |                    |             |
| TIMG6_C1  | 9       | IO      |         |        |        |        |                               |                                       |             |          |                    |             |
| G10       |         |         |         | 64     | 36     | 46     | PB12<br>PINCM29<br>0x40428070 | PB12                                  | 1           | IO       | SDIO<br>(standard) |             |
|           |         |         |         |        |        |        |                               | UART3_TX                              | 2           | O        |                    |             |
|           |         |         |         |        |        |        |                               | TIMA0_C2                              | 3           | IO       |                    |             |
|           |         |         |         |        |        |        |                               | TIMA_FAL1                             | 4           | I        |                    |             |
|           |         |         |         |        |        |        |                               | TIMA0_C1                              | 5           | IO       |                    |             |
|           |         |         |         |        |        |        |                               | UART4_CTS                             | 6           | I        |                    |             |
|           |         |         |         |        |        |        |                               | SPI1_CS1                              | 7           | IO       |                    |             |
| TIMG14_C0 | 10      | I       |         |        |        |        |                               |                                       |             |          |                    |             |
| H10       |         |         |         | 1      | 37     | 47     | PB13<br>PINCM30<br>0x40428074 | PB13                                  | 1           | IO       | SDIO<br>(standard) |             |
|           |         |         |         |        |        |        |                               | UART3_RX                              | 2           | I        |                    |             |
|           |         |         |         |        |        |        |                               | TIMA0_C3                              | 3           | IO       |                    |             |
|           |         |         |         |        |        |        |                               | TIMG12_C0                             | 4           | IO       |                    |             |
|           |         |         |         |        |        |        |                               | TIMA0_C1N                             | 5           | O        |                    |             |
|           |         |         |         |        |        |        |                               | UART4_RTS                             | 6           | O        |                    |             |
|           |         |         |         |        |        |        |                               | SPI1_CS0                              | 7           | IO       |                    |             |
| TIMG14_C1 | 10      | I       |         |        |        |        |                               |                                       |             |          |                    |             |

**Table 6-2. Pin Attributes (continued)**

| RHB PIN    | ZAW PIN         | YCJ PIN | RGZ PIN | PT PIN | PM PIN | PN PIN                        | PZ PIN                        | PIN NAME/<br>IOMUX REG/<br>IOMUX ADDR | SIGNAL NAME     | IOMUX PF           | SIGNAL TYPE        | BUFFER TYPE |
|------------|-----------------|---------|---------|--------|--------|-------------------------------|-------------------------------|---------------------------------------|-----------------|--------------------|--------------------|-------------|
| J9         | 24              | 24      | 2       | 38     | 48     | PB14<br>PINCM31<br>0x40428078 | PB14                          | 1                                     | IO              | SDIO<br>(standard) |                    |             |
|            |                 |         |         |        |        |                               | SPI1_CS3                      | 2                                     | IO              |                    |                    |             |
|            |                 |         |         |        |        |                               | SPI1_POCI                     | 3                                     | IO              |                    |                    |             |
|            |                 |         |         |        |        |                               | TIMG12_C1                     | 4                                     | IO              |                    |                    |             |
|            |                 |         |         |        |        |                               | TIMA0_C0                      | 5                                     | IO              |                    |                    |             |
|            |                 |         |         |        |        |                               | TIMG8_IDX                     | 6                                     | I               |                    |                    |             |
|            |                 |         |         |        |        |                               | SPI0_CS3                      | 7                                     | IO              |                    |                    |             |
| G8         | 25              | 25      | 3       | 39     | 49     | PB15<br>PINCM32<br>0x4042807c | PB15                          | 1                                     | IO              | SDIO<br>(standard) |                    |             |
|            |                 |         |         |        |        |                               | UART7_TX                      | 2                                     | O               |                    |                    |             |
|            |                 |         |         |        |        |                               | SPI1_PICO                     | 3                                     | IO              |                    |                    |             |
|            |                 |         |         |        |        |                               | UART3_CTS                     | 4                                     | I               |                    |                    |             |
|            |                 |         |         |        |        |                               | TIMG8_C0                      | 5                                     | IO              |                    |                    |             |
|            |                 |         |         |        |        |                               | I2C2_SCL                      | 7                                     | IOD             |                    |                    |             |
|            |                 |         |         |        |        |                               | TIMG7_C0                      | 11                                    | IO              |                    |                    |             |
| J8         | 26              | 26      | 4       | 40     | 50     | PB16<br>PINCM33<br>0x40428080 | PB16                          | 1                                     | IO              | SDIO<br>(standard) |                    |             |
|            |                 |         |         |        |        |                               | UART7_RX                      | 2                                     | I               |                    |                    |             |
|            |                 |         |         |        |        |                               | SPI1_SCK                      | 3                                     | IO              |                    |                    |             |
|            |                 |         |         |        |        |                               | UART3_RTS                     | 4                                     | O               |                    |                    |             |
|            |                 |         |         |        |        |                               | TIMG8_C1                      | 5                                     | IO              |                    |                    |             |
|            |                 |         |         |        |        |                               | I2C2_SDA                      | 7                                     | IOD             |                    |                    |             |
|            |                 |         |         |        |        |                               | TIMG7_C1                      | 11                                    | IO              |                    |                    |             |
| K2         | G6              | 36      | 36      | 14     | 58     | 73                            | PB17<br>PINCM43<br>0x404280a8 | PB17                                  | 1               | IO                 | SDIO<br>(standard) |             |
|            |                 |         |         |        |        |                               |                               | UART7_TX                              | 2               | O                  |                    |             |
|            |                 |         |         |        |        |                               |                               | SPI0_PICO                             | 3               | IO                 |                    |             |
|            |                 |         |         |        |        |                               |                               | I2C0_SCL                              | 4               | IOD                |                    |             |
|            |                 |         |         |        |        |                               |                               | TIMA0_C2                              | 5               | IO                 |                    |             |
|            |                 |         |         |        |        |                               |                               | TIMG0_C0                              | 6               | IO                 |                    |             |
|            |                 |         |         |        |        |                               |                               | SPI1_CS1                              | 7               | IO                 |                    |             |
|            |                 |         |         |        |        |                               |                               | UART4_TX                              | 8               | O                  |                    |             |
|            |                 |         |         |        |        |                               |                               | TIMG14_C2                             | 9               | I                  |                    |             |
|            |                 |         |         |        |        |                               |                               | TIMA1_C0                              | 11              | IO                 |                    |             |
|            |                 |         |         |        |        |                               |                               | A1_4                                  | (Non-IOMUX 1) 0 | A                  |                    |             |
| COMP1_IN2- | (Non-IOMUX 2) 0 | A       |         |        |        |                               |                               |                                       |                 |                    |                    |             |
| K1         | D5              | 37      | 37      | 15     | 59     | 74                            | PB18<br>PINCM44<br>0x404280ac | PB18                                  | 1               | IO                 | SDIO<br>(standard) |             |
|            |                 |         |         |        |        |                               |                               | UART7_RX                              | 2               | I                  |                    |             |
|            |                 |         |         |        |        |                               |                               | SPI0_SCK                              | 3               | IO                 |                    |             |
|            |                 |         |         |        |        |                               |                               | I2C0_SDA                              | 4               | IOD                |                    |             |
|            |                 |         |         |        |        |                               |                               | TIMA0_C2N                             | 5               | O                  |                    |             |
|            |                 |         |         |        |        |                               |                               | TIMG0_C1                              | 6               | IO                 |                    |             |
|            |                 |         |         |        |        |                               |                               | SPI1_CS2                              | 7               | IO                 |                    |             |
|            |                 |         |         |        |        |                               |                               | UART4_RX                              | 8               | I                  |                    |             |
|            |                 |         |         |        |        |                               |                               | TIMG14_C3                             | 9               | I                  |                    |             |
|            |                 |         |         |        |        |                               |                               | TIMA1_C1                              | 11              | IO                 |                    |             |
|            |                 |         |         |        |        |                               |                               | A1_5                                  | (Non-IOMUX 1) 0 | A                  |                    |             |
|            |                 |         |         |        |        |                               |                               | COMP1_IN2+                            | (Non-IOMUX 2) 0 | A                  |                    |             |

**Table 6-2. Pin Attributes (continued)**

| RHB PIN    | ZAW PIN         | YCJ PIN | RGZ PIN | PT PIN | PM PIN | PN PIN | PZ PIN                        | PIN NAME/<br>IOMUX REG/<br>IOMUX ADDR | SIGNAL NAME     | IOMUX PF | SIGNAL TYPE | BUFFER TYPE        |
|------------|-----------------|---------|---------|--------|--------|--------|-------------------------------|---------------------------------------|-----------------|----------|-------------|--------------------|
| J1         | E4              | 38      | 38      | 16     | 60     | 75     | PB19<br>PINCM45<br>0x404280b0 | PB19                                  | 1               |          | IO          | SDIO<br>(standard) |
|            |                 |         |         |        |        |        |                               | COMP0_OUT                             | 2               |          | O           |                    |
|            |                 |         |         |        |        |        |                               | SPI0_POCI                             | 3               |          | IO          |                    |
|            |                 |         |         |        |        |        |                               | TIMG8_C1                              | 4               |          | IO          |                    |
|            |                 |         |         |        |        |        |                               | UART0_CTS                             | 5               |          | I           |                    |
|            |                 |         |         |        |        |        |                               | COMP2_OUT                             | 6               |          | O           |                    |
|            |                 |         |         |        |        |        |                               | TIMG8_IDX                             | 7               |          | I           |                    |
|            |                 |         |         |        |        |        |                               | UART7_CTS                             | 8               |          | I           |                    |
|            |                 |         |         |        |        |        |                               | UART4_CTS                             | 9               |          | I           |                    |
|            |                 |         |         |        |        |        |                               | SPI1_CS3                              | 10              |          | IO          |                    |
|            |                 |         |         |        |        |        |                               | TIMG7_C1                              | 11              |          | IO          |                    |
|            |                 |         |         |        |        |        |                               | A1_6                                  | (Non-IOMUX 1) 0 |          | A           |                    |
| COMP2_IN1+ | (Non-IOMUX 2) 0 |         | A       |        |        |        |                               |                                       |                 |          |             |                    |
| F3         | E3              | 41      | 41      | 19     | 67     | 82     | PB20<br>PINCM48<br>0x404280bc | PB20                                  | 1               |          | IO          | SDIO<br>(standard) |
|            |                 |         |         |        |        |        |                               | SPI0_CS2                              | 2               |          | IO          |                    |
|            |                 |         |         |        |        |        |                               | SPI1_CS0                              | 3               |          | IO          |                    |
|            |                 |         |         |        |        |        |                               | TIMG12_C0                             | 4               |          | IO          |                    |
|            |                 |         |         |        |        |        |                               | TIMA0_C2                              | 5               |          | IO          |                    |
|            |                 |         |         |        |        |        |                               | TIMA_FAL1                             | 6               |          | I           |                    |
|            |                 |         |         |        |        |        |                               | TIMA0_C1                              | 7               |          | IO          |                    |
|            |                 |         |         |        |        |        |                               | UART7_RTS                             | 8               |          | O           |                    |
|            |                 |         |         |        |        |        |                               | I2C0_SDA                              | 9               |          | IOD         |                    |
|            |                 |         |         |        |        |        |                               | TIMA1_C1N                             | 10              |          | O           |                    |
| A0_6       | (Non-IOMUX 1) 0 |         | A       |        |        |        |                               |                                       |                 |          |             |                    |
| G2         |                 |         |         | 20     | 68     | 83     | PB21<br>PINCM49<br>0x404280c0 | PB21                                  | 1               |          | IO          | SDIO<br>(standard) |
|            |                 |         |         |        |        |        |                               | UART4_TX                              | 2               |          | O           |                    |
|            |                 |         |         |        |        |        |                               | SPI1_POCI                             | 3               |          | IO          |                    |
|            |                 |         |         |        |        |        |                               | I2C0_SCL                              | 4               |          | IOD         |                    |
|            |                 |         |         |        |        |        |                               | TIMG8_C0                              | 5               |          | IO          |                    |
|            |                 |         |         |        |        |        |                               | UART1_TX                              | 6               |          | O           |                    |
|            |                 |         |         |        |        |        |                               | CAN1_TX                               | 7               |          | O           |                    |
|            |                 |         |         |        |        |        |                               | UART6_RX                              | 9               |          | I           |                    |
|            |                 |         |         |        |        |        |                               | A1_8                                  | (Non-IOMUX 1) 0 |          | A           |                    |
| COMP2_IN0+ | (Non-IOMUX 2) 0 |         | A       |        |        |        |                               |                                       |                 |          |             |                    |
| H1         |                 |         |         | 21     | 69     | 84     | PB22<br>PINCM50<br>0x404280c4 | PB22                                  | 1               |          | IO          | SDIO<br>(standard) |
|            |                 |         |         |        |        |        |                               | UART4_RX                              | 2               |          | I           |                    |
|            |                 |         |         |        |        |        |                               | SPI1_PICO                             | 3               |          | IO          |                    |
|            |                 |         |         |        |        |        |                               | I2C0_SDA                              | 4               |          | IOD         |                    |
|            |                 |         |         |        |        |        |                               | TIMG8_C1                              | 5               |          | IO          |                    |
|            |                 |         |         |        |        |        |                               | UART1_RX                              | 6               |          | I           |                    |
|            |                 |         |         |        |        |        |                               | CAN1_RX                               | 7               |          | I           |                    |
|            |                 |         |         |        |        |        |                               | UART6_TX                              | 9               |          | O           |                    |
|            |                 |         |         |        |        |        |                               | A1_10                                 | (Non-IOMUX 1) 0 |          | A           |                    |
| COMP2_IN0- | (Non-IOMUX 2) 0 |         | A       |        |        |        |                               |                                       |                 |          |             |                    |



**Table 6-2. Pin Attributes (continued)**

| RHB PIN    | ZAW PIN         | YCJ PIN | RGZ PIN | PT PIN | PM PIN | PN PIN | PZ PIN                        | PIN NAME/<br>IOMUX REG/<br>IOMUX ADDR | SIGNAL NAME     | IOMUX PF | SIGNAL TYPE        | BUFFER TYPE        |
|------------|-----------------|---------|---------|--------|--------|--------|-------------------------------|---------------------------------------|-----------------|----------|--------------------|--------------------|
| G1         |                 |         |         |        | 22     | 70     | 85                            | PB23<br>PINCM51<br>0x404280c8         | PB23            | 1        | IO                 | SDIO<br>(standard) |
|            |                 |         |         |        |        |        |                               |                                       | UART1_CTS       | 2        | I                  |                    |
|            |                 |         |         |        |        |        |                               |                                       | SPI1_SCK        | 3        | IO                 |                    |
|            |                 |         |         |        |        |        |                               |                                       | TIMA_FAL0       | 4        | I                  |                    |
|            |                 |         |         |        |        |        |                               |                                       | COMP0_OUT       | 5        | O                  |                    |
|            |                 |         |         |        |        |        |                               |                                       | UART6_CTS       | 9        | I                  |                    |
| A1_11      | (Non-IOMUX 1) 0 | A       |         |        |        |        |                               |                                       |                 |          |                    |                    |
| F2         |                 | 42      | 42      | 23     | 71     | 86     | PB24<br>PINCM52<br>0x404280cc | PB24                                  | 1               | IO       | SDIO<br>(standard) |                    |
|            |                 |         |         |        |        |        |                               | SPI0_CS3                              | 2               | IO       |                    |                    |
|            |                 |         |         |        |        |        |                               | SPI0_CS1                              | 3               | IO       |                    |                    |
|            |                 |         |         |        |        |        |                               | TIMG12_C1                             | 4               | IO       |                    |                    |
|            |                 |         |         |        |        |        |                               | TIMA0_C3                              | 5               | IO       |                    |                    |
|            |                 |         |         |        |        |        |                               | TIMA0_C1N                             | 6               | O        |                    |                    |
|            |                 |         |         |        |        |        |                               | SPI1_CS1                              | 7               | IO       |                    |                    |
|            |                 |         |         |        |        |        |                               | UART7_RTS                             | 8               | O        |                    |                    |
|            |                 |         |         |        |        |        |                               | UART6_RTS                             | 9               | O        |                    |                    |
|            |                 |         |         |        |        |        |                               | TIMA1_C0N                             | 10              | O        |                    |                    |
|            |                 |         |         |        |        |        |                               | A0_5                                  | (Non-IOMUX 1) 0 | A        |                    |                    |
|            |                 |         |         |        |        |        |                               | COMP1_IN1+                            | (Non-IOMUX 2) 0 | A        |                    |                    |
| C1         |                 |         |         | 27     | 75     | 95     | PB25<br>PINCM56<br>0x404280dc | PB25                                  | 1               | IO       | SDIO<br>(standard) |                    |
|            |                 |         |         |        |        |        |                               | UART0_CTS                             | 2               | I        |                    |                    |
|            |                 |         |         |        |        |        |                               | SPI0_CS0                              | 3               | IO       |                    |                    |
|            |                 |         |         |        |        |        |                               | TIMA_FAL0                             | 4               | I        |                    |                    |
|            |                 |         |         |        |        |        |                               | TIMA_FAL1                             | 5               | I        |                    |                    |
|            |                 |         |         |        |        |        |                               | TIMA_FAL2                             | 6               | I        |                    |                    |
|            |                 |         |         |        |        |        |                               | COMP0_OUT                             | 7               | O        |                    |                    |
|            |                 |         |         |        |        |        |                               | FCC_IN                                | 8               | I        |                    |                    |
| A0_4       | (Non-IOMUX 1) 0 | A       |         |        |        |        |                               |                                       |                 |          |                    |                    |
| B1         |                 |         |         | 28     | 76     | 96     | PB26<br>PINCM57<br>0x404280e0 | PB26                                  | 1               | IO       | SDIO<br>(standard) |                    |
|            |                 |         |         |        |        |        |                               | UART0_RTS                             | 2               | O        |                    |                    |
|            |                 |         |         |        |        |        |                               | SPI0_CS1                              | 3               | IO       |                    |                    |
|            |                 |         |         |        |        |        |                               | TIMA0_C0                              | 4               | IO       |                    |                    |
|            |                 |         |         |        |        |        |                               | TIMA0_C3                              | 5               | IO       |                    |                    |
|            |                 |         |         |        |        |        |                               | COMP0_OUT                             | 7               | O        |                    |                    |
|            |                 |         |         |        |        |        |                               | FCC_IN                                | 8               | I        |                    |                    |
|            |                 |         |         |        |        |        |                               | TIMA1_C0                              | 9               | IO       |                    |                    |
|            |                 |         |         |        |        |        |                               | TIMG6_C0                              | 11              | IO       |                    |                    |
| A1_13      | (Non-IOMUX 1) 0 | A       |         |        |        |        |                               |                                       |                 |          |                    |                    |
| COMP1_IN0+ | (Non-IOMUX 2) 0 | A       |         |        |        |        |                               |                                       |                 |          |                    |                    |

**Table 6-2. Pin Attributes (continued)**

| RHB PIN | ZAW PIN | YCJ PIN | RGZ PIN | PT PIN | PM PIN | PN PIN | PZ PIN | PIN NAME/<br>IOMUX REG/<br>IOMUX ADDR | SIGNAL NAME  | IOMUX PF  | SIGNAL TYPE  | BUFFER TYPE        |
|---------|---------|---------|---------|--------|--------|--------|--------|---------------------------------------|--|---|--|--------------------|
|         | D2      |         |         |        | 29     | 77     | 97     | PB27<br>PINCM58<br>0x404280e4         | PB27<br>COMP0_OUT<br>SPI1_CS1<br>TIMA0_C0N<br>TIMA0_C3N<br>COMP2_OUT<br>TIMA1_C1<br>TIMG6_C1<br>A1_14<br>COMP1_IN0-  | 1<br>2<br>3<br>4<br>5<br>6<br>9<br>11<br>(Non-IOMUX 1) 0<br>(Non-IOMUX 2) 0 | IO<br>O<br>IO<br>O<br>O<br>O<br>IO<br>IO<br>A<br>A   | SDIO<br>(standard) |
|         | E8      |         |         |        |        | 24     | 29     | PB28<br>PINCM65<br>0x40428100         | PB28<br>I2C2_SCL<br>SPI1_CS0<br>TIMA_FAL0<br>TIMA0_C0<br>TIMG0_C0<br>UART5_RX<br>TIMG14_C0<br>UART6_RX               | 1<br>2<br>3<br>4<br>5<br>6<br>7<br>10<br>12                                 | IO<br>IOD<br>IO<br>I<br>IO<br>IO<br>I<br>I<br>I      | SDIO<br>(standard) |
|         | B9      |         |         |        |        | 25     | 30     | PB29<br>PINCM66<br>0x40428104         | PB29<br>I2C2_SDA<br>SPI1_POCI<br>TIMA_FAL1<br>TIMA0_C0N<br>TIMG0_C1<br>UART5_TX<br>TIMG9_C0<br>TIMG14_C1<br>UART6_TX | 1<br>2<br>3<br>4<br>5<br>6<br>7<br>8<br>10<br>12                            | IO<br>IOD<br>IO<br>I<br>O<br>IO<br>O<br>IO<br>I<br>O | SDIO<br>(standard) |
|         | D7      |         |         |        |        | 26     | 31     | PB30<br>PINCM67<br>0x40428108         | PB30<br>UART1_CTS<br>SPI1_PICO<br>TIMA_FAL2<br>TIMA0_C1<br>UART5_CTS<br>TIMG9_C1<br>TIMG14_C2<br>UART6_CTS           | 1<br>2<br>3<br>4<br>5<br>7<br>8<br>9<br>12                                  | IO<br>I<br>IO<br>I<br>IO<br>I<br>IO<br>I             | SDIO<br>(standard) |
|         | A10     |         |         |        |        | 27     | 32     | PB31<br>PINCM68<br>0x4042810c         | PB31<br>UART1_RTS<br>SPI1_SCK<br>TIMG8_IDX<br>TIMA0_C1N<br>UART5_RTS<br>TIMG9_IDX<br>TIMG14_C3<br>UART6_RTS          | 1<br>2<br>3<br>4<br>5<br>7<br>8<br>9<br>12                                  | IO<br>O<br>IO<br>I<br>O<br>O<br>I<br>I<br>O          | SDIO<br>(standard) |

**Table 6-2. Pin Attributes (continued)**

| RHB PIN | ZAW PIN | YCJ PIN | RGZ PIN | PT PIN | PM PIN | PN PIN | PZ PIN | PIN NAME/<br>IOMUX REG/<br>IOMUX ADDR | SIGNAL NAME | IOMUX PF | SIGNAL TYPE | BUFFER TYPE        |
|---------|---------|---------|---------|--------|--------|--------|--------|---------------------------------------|-------------|----------|-------------|--------------------|
|         | J7      |         |         |        |        | 46     | 56     | PC0<br>PINCM74<br>0x40428124          | PC0         | 1        | IO          | SDIO<br>(standard) |
|         |         |         |         |        |        |        |        | UART1_TX                              | 2           | O        |             |                    |
|         |         |         |         |        |        |        |        | SPI1_CS3                              | 3           | IO       |             |                    |
|         |         |         |         |        |        |        |        | TIM8_C0                               | 4           | IO       |             |                    |
|         |         |         |         |        |        |        |        |                                       | TIMA0_C2    | 5        | IO          |                    |
|         | H8      |         |         |        |        | 47     | 57     | PC1<br>PINCM75<br>0x40428128          | PC1         | 1        | IO          | SDIO<br>(standard) |
|         |         |         |         |        |        |        |        | UART1_RX                              | 2           | I        |             |                    |
|         |         |         |         |        |        |        |        | SPI1_CS2                              | 3           | IO       |             |                    |
|         |         |         |         |        |        |        |        | TIM8_C1                               | 4           | IO       |             |                    |
|         |         |         |         |        |        |        |        |                                       | TIMA0_C2N   | 5        | O           |                    |
|         | H5      |         |         |        |        | 50     | 65     | PC2<br>PINCM76<br>0x4042812c          | PC2         | 1        | IO          | SDIO<br>(standard) |
|         |         |         |         |        |        |        |        | I2C2_SCL                              | 2           | IOD      |             |                    |
|         |         |         |         |        |        |        |        | SPI1_CS0                              | 3           | IO       |             |                    |
|         |         |         |         |        |        |        |        | TIMA_FAL0                             | 4           | I        |             |                    |
|         |         |         |         |        |        |        |        | TIMA0_C0                              | 5           | IO       |             |                    |
|         |         |         |         |        |        |        |        |                                       | TIMG0_C0    | 6        | IO          |                    |
|         | H4      |         |         |        |        | 51     | 66     | PC3<br>PINCM77<br>0x40428130          | PC3         | 1        | IO          | SDIO<br>(standard) |
|         |         |         |         |        |        |        |        | I2C2_SDA                              | 2           | IOD      |             |                    |
|         |         |         |         |        |        |        |        | SPI1_CS1                              | 3           | IO       |             |                    |
|         |         |         |         |        |        |        |        | TIMA_FAL1                             | 4           | I        |             |                    |
|         |         |         |         |        |        |        |        | TIMA0_C0N                             | 5           | O        |             |                    |
|         |         |         |         |        |        |        |        |                                       | TIMG0_C1    | 6        | IO          |                    |
|         | G6      |         |         |        |        | 52     | 67     | PC4<br>PINCM78<br>0x40428134          | PC4         | 1        | IO          | SDIO<br>(standard) |
|         |         |         |         |        |        |        |        | UART3_CTS                             | 2           | I        |             |                    |
|         |         |         |         |        |        |        |        | SPI1_CS2                              | 3           | IO       |             |                    |
|         |         |         |         |        |        |        |        | TIMA_FAL2                             | 4           | I        |             |                    |
|         |         |         |         |        |        |        |        | TIMA0_C1                              | 5           | IO       |             |                    |
|         |         |         |         |        |        |        |        |                                       | TIMG14_C2   | 7        | I           |                    |
|         | G5      |         |         |        |        | 53     | 68     | PC5<br>PINCM79<br>0x40428138          | PC5         | 1        | IO          | SDIO<br>(standard) |
|         |         |         |         |        |        |        |        | UART3_RTS                             | 2           | O        |             |                    |
|         |         |         |         |        |        |        |        | SPI1_CS3                              | 3           | IO       |             |                    |
|         |         |         |         |        |        |        |        | TIM8_IDX                              | 4           | I        |             |                    |
|         |         |         |         |        |        |        |        | TIMA0_C1N                             | 5           | O        |             |                    |
|         |         |         |         |        |        |        |        |                                       | TIMG14_C3   | 7        | I           |                    |
|         | H3      |         |         |        |        | 63     | 78     | PC6<br>PINCM84<br>0x4042814c          | PC6         | 1        | IO          | SDIO<br>(standard) |
|         |         |         |         |        |        |        |        | UART3_TX                              | 2           | O        |             |                    |
|         |         |         |         |        |        |        |        | SPI0_CS1                              | 3           | IO       |             |                    |
|         |         |         |         |        |        |        |        | TIM8_C0                               | 4           | IO       |             |                    |
|         |         |         |         |        |        |        |        |                                       | TIMA0_C0    | 5        | IO          |                    |
|         | G3      |         |         |        |        | 64     | 79     | PC7<br>PINCM85<br>0x40428150          | PC7         | 1        | IO          | SDIO<br>(standard) |
|         |         |         |         |        |        |        |        | UART3_RX                              | 2           | I        |             |                    |
|         |         |         |         |        |        |        |        | SPI0_CS0                              | 3           | IO       |             |                    |
|         |         |         |         |        |        |        |        | TIM8_C1                               | 4           | IO       |             |                    |
|         |         |         |         |        |        |        |        |                                       | TIMA0_C0N   | 5        | O           |                    |
|         | G4      |         |         |        |        | 65     | 80     | PC8<br>PINCM86<br>0x40428154          | PC8         | 1        | IO          | SDIO<br>(standard) |
|         |         |         |         |        |        |        |        | UART3_CTS                             | 2           | I        |             |                    |
|         |         |         |         |        |        |        |        | SPI1_CS2                              | 3           | IO       |             |                    |
|         |         |         |         |        |        |        |        |                                       | TIMA0_C1    | 5        | IO          |                    |

**Table 6-2. Pin Attributes (continued)**

| RHB PIN | ZAW PIN | YCJ PIN | RGZ PIN | PT PIN | PM PIN | PN PIN | PZ PIN | PIN NAME/<br>IOMUX REG/<br>IOMUX ADDR | SIGNAL NAME                               | IOMUX PF         | SIGNAL TYPE        | BUFFER TYPE        |
|---------|---------|---------|---------|--------|--------|--------|--------|---------------------------------------|---|------------------|--------------------|--------------------|
|         | F4      |         |         |        |        | 66     | 81     | PC9<br>PINCM87<br>0x40428158          | PC9<br>UART3_RTS<br>SPI1_CS1<br>TIMA0_C1N | 1<br>2<br>3<br>5 | IO<br>O<br>IO<br>O | SDIO<br>(standard) |
|         | F5      |         |         |        |        |        | 87     | PC10<br>PINCM88<br>0x4042815c         | PC10<br>TIMG9_C0<br>UART6_RX              | 1<br>7<br>8      | IO<br>IO<br>I      | SDIO<br>(standard) |
|         | E5      |         |         |        |        |        | 88     | PC11<br>PINCM89<br>0x40428160         | PC11<br>TIMG9_C1<br>UART6_TX              | 1<br>7<br>8      | IO<br>IO<br>O      | SDIO<br>(standard) |
|         | C5      |         |         |        |        |        | 10     | PC12<br>PINCM61<br>0x404280f0         | PC12                                      | 1                | IO                 | SDIO<br>(standard) |
|         | D5      |         |         |        |        |        | 12     | PC13<br>PINCM62<br>0x404280f4         | PC13<br>SPI2_PICO                         | 1<br>12          | IO<br>IO           | SDIO<br>(standard) |
|         | B6      |         |         |        |        |        | 13     | PC14<br>PINCM63<br>0x404280f8         | PC14<br>TIMG9_C1<br>SPI2_SCK              | 1<br>7<br>12     | IO<br>IO<br>IO     | SDIO<br>(standard) |
|         | B5      |         |         |        |        |        | 11     | PC15<br>PINCM64<br>0x404280fc         | PC15                                      | 1                | IO                 | SDIO<br>(standard) |
|         | E6      |         |         |        |        |        | 35     | PC16<br>PINCM69<br>0x40428110         | PC16                                      | 1                | IO                 | SDIO<br>(standard) |
|         | B10     |         |         |        |        |        | 36     | PC17<br>PINCM70<br>0x40428114         | PC17<br>TIMG14_C2                         | 1<br>7           | IO<br>I            | SDIO<br>(standard) |
|         | C10     |         |         |        |        |        | 38     | PC18<br>PINCM71<br>0x40428118         | PC18                                      | 1                | IO                 | SDIO<br>(standard) |
|         | F7      |         |         |        |        |        | 39     | PC19<br>PINCM72<br>0x4042811c         | PC19<br>TIMG9_C1                          | 1<br>7           | IO<br>IO           | SDIO<br>(standard) |
|         | H9      |         |         |        |        |        | 58     | PC20<br>PINCM73<br>0x40428120         | PC20                                      | 1                | IO                 | SDIO<br>(standard) |
|         | H6      | C6      |         |        |        |        | 59     | PC21<br>PINCM80<br>0x4042813c         | PC21<br>CAN1_TX                           | 1<br>7           | IO<br>O            | SDIO<br>(standard) |
|         | K5      | D6      |         |        |        |        | 60     | PC22<br>PINCM81<br>0x40428140         | PC22<br>CAN1_RX                           | 1<br>7           | IO<br>I            | SDIO<br>(standard) |
|         | J6      |         |         |        |        |        | 61     | PC23<br>PINCM82<br>0x40428144         | PC23                                      | 1                | IO                 | SDIO<br>(standard) |
|         | J5      |         |         |        |        |        | 62     | PC24<br>PINCM83<br>0x40428148         | PC24                                      | 1                | IO                 | SDIO<br>(standard) |
|         | E4      |         |         |        |        |        | 89     | PC25<br>PINCM90<br>0x40428164         | PC25<br>TIMG9_IDX<br>UART6_CTS            | 1<br>7<br>8      | IO<br>I<br>I       | SDIO<br>(standard) |

**Table 6-2. Pin Attributes (continued)**

| RHB PIN | ZAW PIN | YCJ PIN | RGZ PIN | PT PIN | PM PIN | PN PIN | PZ PIN | PIN NAME/<br>IOMUX REG/<br>IOMUX ADDR | SIGNAL NAME                  | IOMUX PF        | SIGNAL TYPE  | BUFFER TYPE        |
|---------|---------|---------|---------|--------|--------|--------|--------|---------------------------------------|------------------------------|-----------------|--------------|--------------------|
|         | F1      |         |         |        |        |        | 90     | PC26<br>PINCM91<br>0x40428168         | PC26<br>CAN1_TX<br>UART6_RTS | 1<br>7<br>8     | IO<br>O<br>O | SDIO<br>(standard) |
|         | E3      |         |         |        |        |        | 91     | PC27<br>PINCM92<br>0x4042816c         | PC27<br>CAN1_RX              | 1<br>7          | IO<br>I      | SDIO<br>(standard) |
|         | D6      |         |         |        |        |        | 14     | PC28<br>PINCM93<br>0x40428170         | PC28<br>UART5_RX             | 1<br>7          | IO<br>I      | SDIO<br>(standard) |
|         | F6      |         |         |        |        |        | 37     | PC29<br>PINCM94<br>0x40428174         | PC29<br>UART5_TX             | 1<br>7          | IO<br>O      | SDIO<br>(standard) |
| 32      | A1      | G1      | 48      | 48     | 32     | 80     | 100    | VCORE                                 | VCORE                        | (Non-IOMUX 1) 0 | PWR          | PWR                |
| 4       | A4, K6  | E1      | 6       | 6      | 40     | 49, 8  | 64, 8  | VDD                                   | VDD                          | (Non-IOMUX 1) 0 | PWR          | PWR                |
| 5       | A2, K9  | D1      | 7       | 7      | 41     | 48, 9  | 63, 9  | VSS                                   | VSS                          | (Non-IOMUX 1) 0 | PWR          | PWR                |

### 6.3 Signal Descriptions

Many MSPM0 signals are made available on multiple device pins. The following list describes the column headers:

- SIGNAL NAME:** The name of the signal which can be connected to one of the specified pins.
- PIN TYPE:** The signal direction and signal type:
  - I = Input
  - O = Output
  - IO = Input, output, or simultaneous input and output
  - ID = Input with open-drain behavior
  - OD = Output with open-drain behavior
  - IOD = Input, output, or simultaneous input and output with open-drain behavior
  - A = Analog
  - PWR = Power function
- DESCRIPTION:** A description of the signal.
- PIN:** Associated pin number.

For additional information on the pin multiplexing scheme, refer to the IOMUX chapter of the [MSPM0 G-Series 80MHz Microcontrollers Technical Reference Manual](#).

#### Note

The IOMUX only supports connecting one IOMUX-managed digital function to the pin at the same time. However, non-IOMUX managed signals (such as analog inputs and WAKE inputs) can be enabled on a pin at the same time that an IOMUX managed digital function is enabled on the pin. In this case, the designer must verify that no contention exists between the functions enabled on each pin.

**Table 6-3. Analog to Digital Converter (ADC) Signal Descriptions**

| SIGNAL NAME | PIN TYPE | DESCRIPTION                 | RHB PIN | ZAW PIN | YCJ PIN | RGZ PIN | PT PIN | PM PIN | PN PIN | PZ PIN |
|-------------|----------|-----------------------------|---------|---------|---------|---------|--------|--------|--------|--------|
| A0_0        | A        | ADC0 analog input channel 0 | 31      | B2      | G2      | 47      | 47     | 31     | 79     | 99     |
| A0_1        | A        | ADC0 analog input channel 1 | 30      | C2      | G3      | 46      | 46     | 30     | 78     | 98     |
| A0_2        | A        | ADC0 analog input channel 2 | 29      | D1      | F3      | 45      | 45     | 26     | 74     | 94     |
| A0_3        | A        | ADC0 analog input channel 3 | 28      | E2      | F4      | 44      | 44     | 25     | 73     | 93     |
| A0_4        | A        | ADC0 analog input channel 4 |         | C1      |         |         |        | 27     | 75     | 95     |

**Table 6-3. Analog to Digital Converter (ADC) Signal Descriptions (continued)**

| SIGNAL NAME | PIN TYPE | DESCRIPTION                  | RHB PIN | ZAW PIN | YCJ PIN | RGZ PIN | PT PIN | PM PIN | PN PIN | PZ PIN |
|-------------|----------|------------------------------|---------|---------|---------|---------|--------|--------|--------|--------|
| A0_5        | A        | ADC0 analog input channel 5  |         | F2      |         | 42      | 42     | 23     | 71     | 86     |
| A0_6        | A        | ADC0 analog input channel 6  |         | F3      | E3      | 41      | 41     | 19     | 67     | 82     |
| A0_7        | A        | ADC0 analog input channel 7  | 26      | H2      | F5      | 40      | 40     | 18     | 62     | 77     |
| A0_8        | A        | ADC0 analog input channel 8  | 16      | J10     | A5      | 27      | 27     | 5      | 41     | 51     |
| A0_9        | A        | ADC0 analog input channel 9  | 17      | K10     | A6      | 28      | 28     | 6      | 42     | 52     |
| A0_12       | A        | ADC0 analog input channel 12 | 18      | K8      | B5      | 29      | 29     | 7      | 43     | 53     |
| A0_13       | A        | ADC0 analog input channel 13 | 23      | J4      | E6      | 34      | 34     | 12     | 56     | 71     |
| A0_14       | A        | ADC0 analog input channel 14 | 24      | J3      | F6      | 35      | 35     | 13     | 57     | 72     |
| A1_0        | A        | ADC1 analog input channel 0  | 19      | K7      | B6      | 30      | 30     | 8      | 44     | 54     |
| A1_1        | A        | ADC1 analog input channel 1  | 20      | H7      | C5      | 31      | 31     | 9      | 45     | 55     |
| A1_2        | A        | ADC1 analog input channel 2  | 21      | K4      | D4      | 32      | 32     | 10     | 54     | 69     |
| A1_3        | A        | ADC1 analog input channel 3  | 22      | K3      | E5      | 33      | 33     | 11     | 55     | 70     |
| A1_4        | A        | ADC1 analog input channel 4  |         | K2      | G6      | 36      | 36     | 14     | 58     | 73     |
| A1_5        | A        | ADC1 analog input channel 5  |         | K1      | D5      | 37      | 37     | 15     | 59     | 74     |
| A1_6        | A        | ADC1 analog input channel 6  |         | J1      | E4      | 38      | 38     | 16     | 60     | 75     |
| A1_7        | A        | ADC1 analog input channel 7  | 25      | J2      | G5      | 39      | 39     | 17     | 61     | 76     |
| A1_8        | A        | ADC1 analog input channel 8  |         | G2      |         |         |        | 20     | 68     | 83     |
| A1_10       | A        | ADC1 analog input channel 10 |         | H1      |         |         |        | 21     | 69     | 84     |
| A1_11       | A        | ADC1 analog input channel 11 |         | G1      |         |         |        | 22     | 70     | 85     |
| A1_12       | A        | ADC1 analog input channel 12 | 27      | E1      | G4      | 43      | 43     | 24     | 72     | 92     |
| A1_13       | A        | ADC1 analog input channel 13 |         | B1      |         |         |        | 28     | 76     | 96     |
| A1_14       | A        | ADC1 analog input channel 14 |         | D2      |         |         |        | 29     | 77     | 97     |

**Table 6-4. Bootstrap Loader (BSL) Signal Descriptions**

| SIGNAL NAME | PIN TYPE | DESCRIPTION   | RHB PIN | ZAW PIN | YCJ PIN | RGZ PIN | PT PIN | PM PIN | PN PIN | PZ PIN |
|-------------|----------|---|---------|---------|---------|---------|--------|--------|--------|--------|
| BSLRX       | I        | BSL UART receive signal (RXD)   | 15      | E9      | A4      | 19      | 19     | 57     | 29     | 34     |
| BSLSCL      | IOD      | BSL I2C clock signal (SCL)  | 2       | C4      | F2      | 2       | 2      | 34     | 2      | 2      |
| BSLSDA      | IOD      | BSL I2C data signal (SDA)   | 1       | D3      | F1      | 1       | 1      | 33     | 1      | 1      |
| BSLTX       | O        | BSL UART transmit signal (TXD)  | 14      | E7      | A3      | 18      | 18     | 56     | 28     | 33     |
| BSL_invoke  | I        | BSL invoke signal (if BSL is enabled, must be HIGH during BOOTRST for a BSL entry, and LOW during BOOTRST to prevent BSL entry) | 22      | K3      | E5      | 33      | 33     | 11     | 55     | 70     |

**Table 6-5. Clock Module (CKM) Signal Descriptions**

| SIGNAL NAME | PIN TYPE | DESCRIPTION                                | RHB PIN                | ZAW PIN                        | YCJ PIN                | RGZ PIN                   | PT PIN                    | PM PIN                        | PN PIN                        | PZ PIN                        |
|-------------|----------|--|------------------------|--------------------------------|------------------------|---------------------------|---------------------------|-------------------------------|-------------------------------|-------------------------------|
| CLK_OUT     | O        | CLK_OUT digital clock output from the PMCU | 11, 13, 14, 18, 26, 31 | A3, B2, B7, C9, E7, G9, H2, K8 | A3, B3, B5, D2, F5, G2 | 13, 17, 18, 29, 40, 47, 5 | 13, 17, 18, 29, 40, 47, 5 | 18, 31, 39, 49, 55, 56, 63, 7 | 17, 23, 28, 35, 43, 62, 7, 79 | 22, 28, 33, 45, 53, 7, 77, 99 |

**Table 6-5. Clock Module (CKM) Signal Descriptions (continued)**

| SIGNAL NAME | PIN TYPE | DESCRIPTION   | RHB PIN          | ZAW PIN                     | YCJ PIN            | RGZ PIN           | PT PIN            | PM PIN                   | PN PIN                    | PZ PIN                    |
|-------------|----------|---|------------------|-----------------------------|--------------------|-------------------|-------------------|--------------------------|---------------------------|---------------------------|
| FCC_IN      | I        | Frequency clock counter (FCC) input signal                      | 1, 11, 16, 20, 9 | A8, B1, B7, C1, D3, H7, J10 | A5, B2, C5, D2, F1 | 1, 11, 13, 27, 31 | 1, 11, 13, 27, 31 | 27, 28, 33, 45, 49, 5, 9 | 1, 13, 17, 41, 45, 75, 76 | 1, 18, 22, 51, 55, 95, 96 |
| HFCLK_IN    | I        | High frequency clock digital clock input signal                 | 10, 12           | A9, C8, D10                 | A2, C3             | 12, 14, 16        | 12, 14, 16        | 46, 50, 54               | 14, 18, 22                | 19, 23, 27                |
| HFXIN       | A        | High frequency crystal oscillator (HFXT) signal                 | 9                | A8                          | B2                 | 11                | 11                | 45                       | 13                        | 18                        |
| HFXOUT      | A        | High frequency crystal oscillator (HFXT) signal                 | 10               | A9                          | A2                 | 12                | 12                | 46                       | 14                        | 19                        |
| LFCLK_IN    | I        | Low frequency clock digital clock input signal                  | 8                | A7                          | A1                 | 10                | 10                | 44                       | 12                        | 17                        |
| LFXIN       | A        | Low frequency crystal oscillator (LFXT) signal                  | 7                | A6                          | B1                 | 9                 | 9                 | 43                       | 11                        | 16                        |
| LFXOUT      | A        | Low frequency crystal oscillator (LFXT) signal                  | 8                | A7                          | A1                 | 10                | 10                | 44                       | 12                        | 17                        |
| ROSC        | A        | SYSOSC frequency correction loop (FCL) external resistor signal | 6                | A5                          | C1                 | 8                 | 8                 | 42                       | 10                        | 15                        |

**Table 6-6. Comparator (COMP) Signal Descriptions**

| SIGNAL NAME | PIN TYPE | DESCRIPTION                         | RHB PIN                   | ZAW PIN  | YCJ PIN                            | RGZ PIN                           | PT PIN                            | PM PIN   | PN PIN   | PZ PIN   |
|-------------|----------|-------------------------------------|---------------------------|--|------------------------------------|-----------------------------------|-----------------------------------|--|--|--|
| COMP0_OUT   | O        | COMP0 digital output signal         | 11, 15, 16, 20, 29, 31, 7 | A6, B1, B2, B7, C1, D1, D2, E9, F10, F9, G1, H7, J1, J10 | A4, A5, B1, C4, C5, D2, E4, F3, G2 | 13, 19, 22, 27, 31, 38, 45, 47, 9 | 13, 19, 22, 27, 31, 38, 45, 47, 9 | 16, 22, 26, 27, 28, 29, 31, 43, 49, 5, 57, 60, 62, 9 | 11, 17, 29, 32, 34, 41, 45, 60, 70, 74, 75, 76, 77, 79 | 16, 22, 34, 42, 44, 51, 55, 75, 85, 94, 95, 96, 97, 99 |
| COMP1_OUT   | O        | COMP1 digital output signal         | 7                         | A6, F10, F9  | B1, C4                             | 22, 9                             | 22, 9                             | 43, 60, 62   | 11, 32, 34   | 16, 42, 44   |
| COMP2_OUT   | O        | COMP2 digital output signal         | 20                        | D2, H7, J1   | C5, E4                             | 31, 38                            | 31, 38                            | 16, 29, 9  | 45, 60, 77   | 55, 75, 97   |
| COMP0_IN0+  | A        | COMP0 non-inverting input channel 0 | 30                        | C2   | G3                                 | 46                                | 46                                | 30   | 78   | 98   |
| COMP0_IN0-  | A        | COMP0 inverting input channel 0     | 31                        | B2   | G2                                 | 47                                | 47                                | 31   | 79   | 99   |
| COMP0_IN1+  | A        | COMP0 non-inverting input channel 1 | 22                        | K3   | E5                                 | 33                                | 33                                | 11   | 55   | 70   |
| COMP0_IN1-  | A        | COMP0 inverting input channel 1     | 21                        | K4   | D4                                 | 32                                | 32                                | 10   | 54   | 69   |
| COMP0_IN2+  | A        | COMP0 non-inverting input channel 2 | 18                        | K8   | B5                                 | 29                                | 29                                | 7  | 43   | 53   |
| COMP0_IN2-  | A        | COMP0 inverting input channel 2     | 17                        | K10  | A6                                 | 28                                | 28                                | 6  | 42   | 52   |
| COMP0_IN3+  | A        | COMP0 non-inverting input channel 3 | 19                        | K7   | B6                                 | 30                                | 30                                | 8  | 44   | 54   |

**Table 6-6. Comparator (COMP) Signal Descriptions (continued)**

| SIGNAL NAME | PIN TYPE | DESCRIPTION                         | RHB PIN | ZAW PIN | YCJ PIN | RGZ PIN | PT PIN | PM PIN | PN PIN | PZ PIN |
|-------------|----------|-------------------------------------|---------|---------|---------|---------|--------|--------|--------|--------|
| COMP1_IN0+  | A        | COMP1 non-inverting input channel 0 |         | B1      |         |         |        | 28     | 76     | 96     |
| COMP1_IN0-  | A        | COMP1 inverting input channel 0     |         | D2      |         |         |        | 29     | 77     | 97     |
| COMP1_IN1+  | A        | COMP1 non-inverting input channel 1 |         | F2      |         | 42      | 42     | 23     | 71     | 86     |
| COMP1_IN1-  | A        | COMP1 inverting input channel 1     | 27      | E1      | G4      | 43      | 43     | 24     | 72     | 92     |
| COMP1_IN2+  | A        | COMP1 non-inverting input channel 2 |         | K1      | D5      | 37      | 37     | 15     | 59     | 74     |
| COMP1_IN2-  | A        | COMP1 inverting input channel 2     |         | K2      | G6      | 36      | 36     | 14     | 58     | 73     |
| COMP1_IN3+  | A        | COMP1 non-inverting input channel 3 | 19      | K7      | B6      | 30      | 30     | 8      | 44     | 54     |
| COMP2_IN0+  | A        | COMP2 non-inverting input channel 0 |         | G2      |         |         |        | 20     | 68     | 83     |
| COMP2_IN0-  | A        | COMP2 inverting input channel 0     |         | H1      |         |         |        | 21     | 69     | 84     |
| COMP2_IN1+  | A        | COMP2 non-inverting input channel 1 |         | J1      | E4      | 38      | 38     | 16     | 60     | 75     |
| COMP2_IN1-  | A        | COMP2 inverting input channel 1     | 25      | J2      | G5      | 39      | 39     | 17     | 61     | 76     |

**Table 6-7. Controller Area Network (CAN) Signal Descriptions**

| SIGNAL NAME | PIN TYPE | DESCRIPTION                | RHB PIN | ZAW PIN    | YCJ PIN | RGZ PIN | PT PIN | PM PIN | PN PIN | PZ PIN     |
|-------------|----------|----------------------------|---------|------------|---------|---------|--------|--------|--------|------------|
| CAN0_RX     | I        | CAN0 receive signal (TXD)  | 17, 31  | B2, K10    | A6, G2  | 28, 47  | 28, 47 | 31, 6  | 42, 79 | 52, 99     |
| CAN0_TX     | O        | CAN0 transmit signal (TXD) | 16, 30  | C2, J10    | A5, G3  | 27, 46  | 27, 46 | 30, 5  | 41, 78 | 51, 98     |
| CAN1_RX     | I        | CAN1 receive signal (TXD)  |         | E3, H1, K5 | D6      |         |        | 21     | 69     | 60, 84, 91 |
| CAN1_TX     | O        | CAN1 transmit signal (TXD) |         | F1, G2, H6 | C6      |         |        | 20     | 68     | 59, 83, 90 |

**Table 6-8. Digital to Analog Converter (DAC) Signal Descriptions**

| SIGNAL NAME | PIN TYPE | DESCRIPTION | RHB PIN | ZAW PIN | YCJ PIN | RGZ PIN | PT PIN | PM PIN | PN PIN | PZ PIN |
|-------------|----------|-------------|---------|---------|---------|---------|--------|--------|--------|--------|
| DAC_OUT     | O        | DAC output  | 19      | K7      | B6      | 30      | 30     | 8      | 44     | 54     |

**Table 6-9. General Purpose Input Output Module Signal Descriptions**

| SIGNAL NAME | PIN TYPE | DESCRIPTION                 | RHB PIN | ZAW PIN | YCJ PIN | RGZ PIN | PT PIN | PM PIN | PN PIN | PZ PIN |
|-------------|----------|-----------------------------|---------|---------|---------|---------|--------|--------|--------|--------|
| PA0         | IO       | GPIO port A input/output 0  | 1       | D3      | F1      | 1       | 1      | 33     | 1      | 1      |
| PA1         | IO       | GPIO port A input/output 1  | 2       | C4      | F2      | 2       | 2      | 34     | 2      | 2      |
| PA2         | IO       | GPIO port A input/output 2  | 6       | A5      | C1      | 8       | 8      | 42     | 10     | 15     |
| PA3         | IO       | GPIO port A input/output 3  | 7       | A6      | B1      | 9       | 9      | 43     | 11     | 16     |
| PA4         | IO       | GPIO port A input/output 4  | 8       | A7      | A1      | 10      | 10     | 44     | 12     | 17     |
| PA5         | IO       | GPIO port A input/output 5  | 9       | A8      | B2      | 11      | 11     | 45     | 13     | 18     |
| PA6         | IO       | GPIO port A input/output 6  | 10      | A9      | A2      | 12      | 12     | 46     | 14     | 19     |
| PA7         | IO       | GPIO port A input/output 7  | 11      | B7      | D2      | 13      | 13     | 49     | 17     | 22     |
| PA8         | IO       | GPIO port A input/output 8  | 12      | D10     |         | 16      | 16     | 54     | 22     | 27     |
| PA9         | IO       | GPIO port A input/output 9  | 13      | C9      | B3      | 17      | 17     | 55     | 23     | 28     |
| PA10        | IO       | GPIO port A input/output 10 | 14      | E7      | A3      | 18      | 18     | 56     | 28     | 33     |



**Table 6-9. General Purpose Input Output Module Signal Descriptions (continued)**

| SIGNAL NAME | PIN TYPE | DESCRIPTION                 | RHB PIN | ZAW PIN | YCJ PIN | RGZ PIN | PT PIN | PM PIN | PN PIN | PZ PIN |
|-------------|----------|-----------------------------|---------|---------|---------|---------|--------|--------|--------|--------|
| PA11        | IO       | GPIO port A input/output 11 | 15      | E9      | A4      | 19      | 19     | 57     | 29     | 34     |
| PA12        | IO       | GPIO port A input/output 12 | 16      | J10     | A5      | 27      | 27     | 5      | 41     | 51     |
| PA13        | IO       | GPIO port A input/output 13 | 17      | K10     | A6      | 28      | 28     | 6      | 42     | 52     |
| PA14        | IO       | GPIO port A input/output 14 | 18      | K8      | B5      | 29      | 29     | 7      | 43     | 53     |
| PA15        | IO       | GPIO port A input/output 15 | 19      | K7      | B6      | 30      | 30     | 8      | 44     | 54     |
| PA16        | IO       | GPIO port A input/output 16 | 20      | H7      | C5      | 31      | 31     | 9      | 45     | 55     |
| PA17        | IO       | GPIO port A input/output 17 | 21      | K4      | D4      | 32      | 32     | 10     | 54     | 69     |
| PA18        | IO       | GPIO port A input/output 18 | 22      | K3      | E5      | 33      | 33     | 11     | 55     | 70     |
| PA19        | IO       | GPIO port A input/output 19 | 23      | J4      | E6      | 34      | 34     | 12     | 56     | 71     |
| PA20        | IO       | GPIO port A input/output 20 | 24      | J3      | F6      | 35      | 35     | 13     | 57     | 72     |
| PA21        | IO       | GPIO port A input/output 21 | 25      | J2      | G5      | 39      | 39     | 17     | 61     | 76     |
| PA22        | IO       | GPIO port A input/output 22 | 26      | H2      | F5      | 40      | 40     | 18     | 62     | 77     |
| PA23        | IO       | GPIO port A input/output 23 | 27      | E1      | G4      | 43      | 43     | 24     | 72     | 92     |
| PA24        | IO       | GPIO port A input/output 24 | 28      | E2      | F4      | 44      | 44     | 25     | 73     | 93     |
| PA25        | IO       | GPIO port A input/output 25 | 29      | D1      | F3      | 45      | 45     | 26     | 74     | 94     |
| PA26        | IO       | GPIO port A input/output 26 | 30      | C2      | G3      | 46      | 46     | 30     | 78     | 98     |
| PA27        | IO       | GPIO port A input/output 27 | 31      | B2      | G2      | 47      | 47     | 31     | 79     | 99     |
| PA28        | IO       | GPIO port A input/output 28 |         | C3      |         | 3       | 3      | 35     | 3      | 3      |
| PA29        | IO       | GPIO port A input/output 29 |         | B3      |         |         |        | 36     | 4      | 4      |
| PA30        | IO       | GPIO port A input/output 30 |         | D4      |         |         |        | 37     | 5      | 5      |
| PA31        | IO       | GPIO port A input/output 31 |         | A3      |         | 5       | 5      | 39     | 7      | 7      |
| PB0         | IO       | GPIO port B input/output 0  |         | C6      |         |         |        | 47     | 15     | 20     |
| PB1         | IO       | GPIO port B input/output 1  |         | C7      |         |         |        | 48     | 16     | 21     |
| PB2         | IO       | GPIO port B input/output 2  |         | C8      | C3      | 14      | 14     | 50     | 18     | 23     |
| PB3         | IO       | GPIO port B input/output 3  |         | D8      | C2      | 15      | 15     | 51     | 19     | 24     |
| PB4         | IO       | GPIO port B input/output 4  |         | D9      |         |         |        | 52     | 20     | 25     |
| PB5         | IO       | GPIO port B input/output 5  |         | B8      |         |         |        | 53     | 21     | 26     |
| PB6         | IO       | GPIO port B input/output 6  |         | E10     |         | 20      | 20     | 58     | 30     | 40     |
| PB7         | IO       | GPIO port B input/output 7  |         | F8      | B4      | 21      | 21     | 59     | 31     | 41     |
| PB8         | IO       | GPIO port B input/output 8  |         | F9      | C4      | 22      | 22     | 60     | 32     | 42     |
| PB9         | IO       | GPIO port B input/output 9  |         | G7      | D3      | 23      | 23     | 61     | 33     | 43     |
| PB10        | IO       | GPIO port B input/output 10 |         | F10     |         |         |        | 62     | 34     | 44     |
| PB11        | IO       | GPIO port B input/output 11 |         | G9      |         |         |        | 63     | 35     | 45     |
| PB12        | IO       | GPIO port B input/output 12 |         | G10     |         |         |        | 64     | 36     | 46     |
| PB13        | IO       | GPIO port B input/output 13 |         | H10     |         |         |        | 1      | 37     | 47     |
| PB14        | IO       | GPIO port B input/output 14 |         | J9      |         | 24      | 24     | 2      | 38     | 48     |
| PB15        | IO       | GPIO port B input/output 15 |         | G8      |         | 25      | 25     | 3      | 39     | 49     |
| PB16        | IO       | GPIO port B input/output 16 |         | J8      |         | 26      | 26     | 4      | 40     | 50     |
| PB17        | IO       | GPIO port B input/output 17 |         | K2      | G6      | 36      | 36     | 14     | 58     | 73     |
| PB18        | IO       | GPIO port B input/output 18 |         | K1      | D5      | 37      | 37     | 15     | 59     | 74     |
| PB19        | IO       | GPIO port B input/output 19 |         | J1      | E4      | 38      | 38     | 16     | 60     | 75     |
| PB20        | IO       | GPIO port B input/output 20 |         | F3      | E3      | 41      | 41     | 19     | 67     | 82     |
| PB21        | IO       | GPIO port B input/output 21 |         | G2      |         |         |        | 20     | 68     | 83     |
| PB22        | IO       | GPIO port B input/output 22 |         | H1      |         |         |        | 21     | 69     | 84     |

**Table 6-9. General Purpose Input Output Module Signal Descriptions (continued)**

| SIGNAL NAME | PIN TYPE | DESCRIPTION                 | RHB PIN | ZAW PIN | YCJ PIN | RGZ PIN | PT PIN | PM PIN | PN PIN | PZ PIN |
|-------------|----------|-----------------------------|---------|---------|---------|---------|--------|--------|--------|--------|
| PB23        | IO       | GPIO port B input/output 23 |         | G1      |         |         |        | 22     | 70     | 85     |
| PB24        | IO       | GPIO port B input/output 24 |         | F2      |         | 42      | 42     | 23     | 71     | 86     |
| PB25        | IO       | GPIO port B input/output 25 |         | C1      |         |         |        | 27     | 75     | 95     |
| PB26        | IO       | GPIO port B input/output 26 |         | B1      |         |         |        | 28     | 76     | 96     |
| PB27        | IO       | GPIO port B input/output 27 |         | D2      |         |         |        | 29     | 77     | 97     |
| PB28        | IO       | GPIO port B input/output 28 |         | E8      |         |         |        |        | 24     | 29     |
| PB29        | IO       | GPIO port B input/output 29 |         | B9      |         |         |        |        | 25     | 30     |
| PB30        | IO       | GPIO port B input/output 30 |         | D7      |         |         |        |        | 26     | 31     |
| PB31        | IO       | GPIO port B input/output 31 |         | A10     |         |         |        |        | 27     | 32     |
| PC0         | IO       | GPIO port C input/output 0  |         | J7      |         |         |        |        | 46     | 56     |
| PC1         | IO       | GPIO port C input/output 1  |         | H8      |         |         |        |        | 47     | 57     |
| PC2         | IO       | GPIO port C input/output 2  |         | H5      |         |         |        |        | 50     | 65     |
| PC3         | IO       | GPIO port C input/output 3  |         | H4      |         |         |        |        | 51     | 66     |
| PC4         | IO       | GPIO port C input/output 4  |         | G6      |         |         |        |        | 52     | 67     |
| PC5         | IO       | GPIO port C input/output 5  |         | G5      |         |         |        |        | 53     | 68     |
| PC6         | IO       | GPIO port C input/output 6  |         | H3      |         |         |        |        | 63     | 78     |
| PC7         | IO       | GPIO port C input/output 7  |         | G3      |         |         |        |        | 64     | 79     |
| PC8         | IO       | GPIO port C input/output 8  |         | G4      |         |         |        |        | 65     | 80     |
| PC9         | IO       | GPIO port C input/output 9  |         | F4      |         |         |        |        | 66     | 81     |
| PC10        | IO       | GPIO port C input/output 10 |         | F5      |         |         |        |        |        | 87     |
| PC11        | IO       | GPIO port C input/output 11 |         | E5      |         |         |        |        |        | 88     |
| PC12        | IO       | GPIO port C input/output 12 |         | C5      |         |         |        |        |        | 10     |
| PC13        | IO       | GPIO port C input/output 13 |         | D5      |         |         |        |        |        | 12     |
| PC14        | IO       | GPIO port C input/output 14 |         | B6      |         |         |        |        |        | 13     |
| PC15        | IO       | GPIO port C input/output 15 |         | B5      |         |         |        |        |        | 11     |
| PC16        | IO       | GPIO port C input/output 16 |         | E6      |         |         |        |        |        | 35     |
| PC17        | IO       | GPIO port C input/output 17 |         | B10     |         |         |        |        |        | 36     |
| PC18        | IO       | GPIO port C input/output 18 |         | C10     |         |         |        |        |        | 38     |
| PC19        | IO       | GPIO port C input/output 19 |         | F7      |         |         |        |        |        | 39     |
| PC20        | IO       | GPIO port C input/output 20 |         | H9      |         |         |        |        |        | 58     |
| PC21        | IO       | GPIO port C input/output 21 |         | H6      | C6      |         |        |        |        | 59     |
| PC22        | IO       | GPIO port C input/output 22 |         | K5      | D6      |         |        |        |        | 60     |
| PC23        | IO       | GPIO port C input/output 23 |         | J6      |         |         |        |        |        | 61     |
| PC24        | IO       | GPIO port C input/output 24 |         | J5      |         |         |        |        |        | 62     |
| PC25        | IO       | GPIO port C input/output 25 |         | E4      |         |         |        |        |        | 89     |
| PC26        | IO       | GPIO port C input/output 26 |         | F1      |         |         |        |        |        | 90     |
| PC27        | IO       | GPIO port C input/output 27 |         | E3      |         |         |        |        |        | 91     |
| PC28        | IO       | GPIO port C input/output 28 |         | D6      |         |         |        |        |        | 14     |
| PC29        | IO       | GPIO port C input/output 29 |         | F6      |         |         |        |        |        | 37     |

**Table 6-10. I2C Signal Descriptions**

| SIGNAL NAME | PIN TYPE | DESCRIPTION                    | RHB PIN               | ZAW PIN                         | YCJ PIN                    | RGZ PIN                    | PT PIN                     | PM PIN                         | PN PIN                        | PZ PIN                        |
|-------------|----------|--------------------------------|-----------------------|---------------------------------|----------------------------|----------------------------|----------------------------|--------------------------------|-------------------------------|-------------------------------|
| I2C0_SCL    | IOD      | I2C0 serial clock signal (SCL) | 13, 15, 2, 26         | A3, C4, C6, C9, E9, G2, H2, K2  | A4, B3, F2, F5, G6         | 17, 19, 2, 36, 40, 5       | 17, 19, 2, 36, 40, 5       | 14, 18, 20, 34, 39, 47, 55, 57 | 15, 2, 23, 29, 58, 62, 68, 7  | 2, 20, 28, 34, 7, 73, 77, 83  |
| I2C0_SDA    | IOD      | I2C0 serial data signal (SDA)  | 1, 12, 14             | C3, C7, D10, D3, E7, F3, H1, K1 | A3, D5, E3, F1             | 1, 16, 18, 3, 37, 41       | 1, 16, 18, 3, 37, 41       | 15, 19, 21, 33, 35, 48, 54, 56 | 1, 16, 22, 28, 3, 59, 67, 69  | 1, 21, 27, 3, 33, 74, 82, 84  |
| I2C1_SCL    | IOD      | I2C1 serial clock signal (SCL) | 10, 15, 19, 21, 24, 8 | A7, A9, B3, C8, E9, J3, K4, K7  | A1, A2, A4, B6, C3, D4, F6 | 10, 12, 14, 19, 30, 32, 35 | 10, 12, 14, 19, 30, 32, 35 | 10, 13, 36, 44, 46, 50, 57, 8  | 12, 14, 18, 29, 4, 44, 54, 57 | 17, 19, 23, 34, 4, 54, 69, 72 |
| I2C1_SDA    | IOD      | I2C1 serial data signal (SDA)  | 14, 20, 22, 23, 7, 9  | A6, A8, D4, D8, E7, H7, J4, K3  | A3, B1, B2, C2, C5, E5, E6 | 11, 15, 18, 31, 33, 34, 9  | 11, 15, 18, 31, 33, 34, 9  | 11, 12, 37, 43, 45, 51, 56, 9  | 11, 13, 19, 28, 45, 5, 55, 56 | 16, 18, 24, 33, 5, 55, 70, 71 |
| I2C2_SCL    | IOD      | I2C2 serial clock signal (SCL) | 19, 27                | B3, E1, E10, E8, F9, G8, H5, K7 | B6, C4, G4                 | 20, 22, 25, 30, 43         | 20, 22, 25, 30, 43         | 24, 3, 36, 58, 60, 8           | 24, 30, 32, 39, 4, 44, 50, 72 | 29, 4, 40, 42, 49, 54, 65, 92 |
| I2C2_SDA    | IOD      | I2C2 serial data signal (SDA)  | 20, 28                | B9, D4, E2, F8, G7, H4, H7, J8  | B4, C5, D3, F4             | 21, 23, 26, 31, 44         | 21, 23, 26, 31, 44         | 25, 37, 4, 59, 61, 9           | 25, 31, 33, 40, 45, 5, 51, 73 | 30, 41, 43, 5, 50, 55, 66, 93 |

**Table 6-11. IOMUX Signal Descriptions**

| SIGNAL NAME | PIN TYPE | DESCRIPTION  | RHB PIN                 | ZAW PIN                            | YCJ PIN                    | RGZ PIN                       | PT PIN                        | PM PIN                             | PN PIN                        | PZ PIN                        |
|-------------|----------|--|-------------------------|------------------------------------|----------------------------|-------------------------------|-------------------------------|------------------------------------|-------------------------------|-------------------------------|
| WAKE        | I        | Input signal to wake the device from SHUTDOWN mode | 1, 14, 15, 2, 21, 22, 3 | A3, B4, C3, C4, D3, E7, E9, K3, K4 | A3, A4, D4, E2, E5, F1, F2 | 1, 18, 19, 2, 3, 32, 33, 4, 5 | 1, 18, 19, 2, 3, 32, 33, 4, 5 | 10, 11, 33, 34, 35, 38, 39, 56, 57 | 1, 2, 28, 29, 3, 54, 55, 6, 7 | 1, 2, 3, 33, 34, 6, 69, 7, 70 |

**Table 6-12. Power Management Unit (PMU) Signal Descriptions**

| SIGNAL NAME | PIN TYPE | DESCRIPTION                | RHB PIN | ZAW PIN | YCJ PIN | RGZ PIN | PT PIN | PM PIN | PN PIN | PZ PIN |
|-------------|----------|----------------------------|---------|---------|---------|---------|--------|--------|--------|--------|
| VCORE       | PWR      | VCORE capacitor connection | 32      | A1      | G1      | 48      | 48     | 32     | 80     | 100    |

**Table 6-12. Power Management Unit (PMU) Signal Descriptions (continued)**

| SIGNAL NAME | PIN TYPE | DESCRIPTION  | RHB PIN | ZAW PIN | YCJ PIN | RGZ PIN | PT PIN | PM PIN | PN PIN | PZ PIN |
|-------------|----------|--------------|---------|---------|---------|---------|--------|--------|--------|--------|
| VDD         | PWR      | VDD supply   | 4       | A4, K6  | E1      | 6       | 6      | 40     | 49, 8  | 64, 8  |
| VSS         | PWR      | VSS (ground) | 5       | A2, K9  | D1      | 7       | 7      | 41     | 48, 9  | 63, 9  |

**Table 6-13. Real-time Clock (RTC) Signal Descriptions**

| SIGNAL NAME | PIN TYPE | DESCRIPTION                   | RHB PIN    | ZAW PIN     | YCJ PIN    | RGZ PIN    | PT PIN     | PM PIN    | PN PIN     | PZ PIN     |
|-------------|----------|-------------------------------|------------|-------------|------------|------------|------------|-----------|------------|------------|
| RTC_OUT     | O        | Real-time clock output signal | 13, 17, 31 | B2, C9, K10 | A6, B3, G2 | 17, 28, 47 | 17, 28, 47 | 31, 55, 6 | 23, 42, 79 | 28, 52, 99 |

**Table 6-14. Serial Peripheral Interface (SPI) Signal Descriptions**

| SIGNAL NAME | PIN TYPE | DESCRIPTION                              | RHB PIN       | ZAW PIN                 | YCJ PIN            | RGZ PIN            | PT PIN             | PM PIN             | PN PIN                 | PZ PIN                 |
|-------------|----------|--|---------------|-------------------------|--------------------|--------------------|--------------------|--------------------|------------------------|------------------------|
| SPI0_PICO   | IO       | SPI0 peripheral in controller out signal | 13, 18, 9     | A8, C8, C9, K2, K8      | B2, B3, B5, C3, G6 | 11, 14, 17, 29, 36 | 11, 14, 17, 29, 36 | 14, 45, 50, 55, 7  | 13, 18, 23, 43, 58     | 18, 23, 28, 53, 73     |
| SPI0_POCI   | IO       | SPI0 peripheral out controller in signal | 11, 14, 17, 8 | A7, B7, E7, J1, K10     | A1, A3, A6, D2, E4 | 10, 13, 18, 28, 38 | 10, 13, 18, 28, 38 | 16, 44, 49, 56, 6  | 12, 17, 28, 42, 60     | 17, 22, 33, 52, 75     |
| SPI0_SCK    | IO       | SPI0 serial clock                        | 10, 15, 16    | A9, D8, E9, J10, K1     | A2, A4, A5, C2, D5 | 12, 15, 19, 27, 37 | 12, 15, 19, 27, 37 | 15, 46, 5, 51, 57  | 14, 19, 29, 41, 59     | 19, 24, 34, 51, 74     |
| SPI1_PICO   | IO       | SPI1 peripheral in controller out signal | 22            | D7, F9, G8, H1, K3      | C4, E5             | 22, 25, 33         | 22, 25, 33         | 11, 21, 3, 60      | 26, 32, 39, 55, 69     | 31, 42, 49, 70, 84     |
| SPI1_POCI   | IO       | SPI1 peripheral out controller in signal | 20, 23        | B9, F8, G2, H7, J4, J9  | B4, C5, E6         | 21, 24, 31, 34     | 21, 24, 31, 34     | 12, 2, 20, 59, 9   | 25, 31, 38, 45, 56, 68 | 30, 41, 48, 55, 71, 83 |
| SPI1_SCK    | IO       | SPI1 serial clock                        | 21, 24        | A10, G1, G7, J3, J8, K4 | D3, D4, F6         | 23, 26, 32, 35     | 23, 26, 32, 35     | 10, 13, 22, 4, 61  | 27, 33, 40, 54, 57, 70 | 32, 43, 50, 69, 72, 85 |
| SPI2_PICO   | IO       | SPI2 peripheral in controller out signal |               | D5, D9                  |                    |                    |                    | 52                 | 20                     | 12, 25                 |
| SPI2_POCI   | IO       | SPI2 peripheral out controller in signal | 6             | A5, B8                  | C1                 | 8                  | 8                  | 42, 53             | 10, 21                 | 15, 26                 |
| SPI2_SCK    | IO       | SPI2 serial clock                        | 14            | B6, E7                  | A3                 | 18                 | 18                 | 56                 | 28                     | 13, 33                 |
| SPI0_CS0    | IO       | SPI0 chip select 0 signal                | 12, 22, 6, 8  | A5, A7, C1, D10, G3, K3 | A1, C1, E5         | 10, 16, 33, 8      | 10, 16, 33, 8      | 11, 27, 42, 44, 54 | 10, 12, 22, 55, 64, 75 | 15, 17, 27, 70, 79, 95 |

**Table 6-14. Serial Peripheral Interface (SPI) Signal Descriptions (continued)**

| SIGNAL NAME | PIN TYPE | DESCRIPTION               | RHB PIN              | ZAW PIN                                      | YCJ PIN                | RGZ PIN                         | PT PIN                          | PM PIN                                   | PN PIN                                  | PZ PIN                                  |
|-------------|----------|---------------------------|----------------------|--|------------------------|---------------------------------|---------------------------------|--|---|---|
| SPI0_CS1    | IO       | SPI0 chip select 1 signal | 16, 21, 7            | A6, B1, E10, F2, H3, J10, K4                 | A5, B1, D4             | 20, 27, 32, 42, 9               | 20, 27, 32, 42, 9               | 10, 23, 28, 43, 5, 58                    | 11, 30, 41, 54, 63, 71, 76              | 16, 40, 51, 69, 78, 86, 96              |
| SPI0_CS2    | IO       | SPI0 chip select 2 signal | 11, 18, 26, 28       | B7, C7, D4, E2, F3, F8, H2, K8               | B4, B5, D2, E3, F4, F5 | 13, 21, 29, 40, 41, 44          | 13, 21, 29, 40, 41, 44          | 18, 19, 25, 37, 48, 49, 59, 7            | 16, 17, 31, 43, 5, 62, 67, 73           | 21, 22, 41, 5, 53, 77, 82, 93           |
| SPI0_CS3    | IO       | SPI0 chip select 3 signal | 12, 17, 2, 25, 27, 7 | A3, A6, B3, C4, C6, D10, E1, F2, J2, J9, K10 | A6, B1, F2, G4, G5     | 16, 2, 24, 28, 39, 42, 43, 5, 9 | 16, 2, 24, 28, 39, 42, 43, 5, 9 | 17, 2, 23, 24, 34, 36, 39, 43, 47, 54, 6 | 11, 15, 2, 22, 38, 4, 42, 61, 7, 71, 72 | 16, 2, 20, 27, 4, 48, 52, 7, 76, 86, 92 |
| SPI1_CS0    | IO       | SPI1 chip select 0 signal | 17, 30, 6            | A5, C2, E10, E8, F3, H10, H5, K10            | A6, C1, E3, G3         | 20, 28, 41, 46, 8               | 20, 28, 41, 46, 8               | 1, 19, 30, 42, 58, 6                     | 10, 24, 30, 37, 42, 50, 67, 78          | 15, 29, 40, 47, 52, 65, 82, 98          |
| SPI1_CS1    | IO       | SPI1 chip select 1 signal | 16, 25, 27, 31       | B2, D2, E1, F2, F4, G10, H4, J10, J2, K2     | A5, G2, G4, G5, G6     | 27, 36, 39, 42, 43, 47          | 27, 36, 39, 42, 43, 47          | 14, 17, 23, 24, 29, 31, 5, 64            | 36, 41, 51, 58, 61, 66, 71, 72, 77, 79  | 46, 51, 66, 73, 76, 81, 86, 92, 97, 99  |
| SPI1_CS2    | IO       | SPI1 chip select 2 signal | 18, 19, 28           | C6, E2, G4, G6, G9, H8, K1, K7, K8           | B5, B6, D5, F4         | 29, 30, 37, 44                  | 29, 30, 37, 44                  | 15, 25, 47, 63, 7, 8                     | 15, 35, 43, 44, 47, 52, 59, 65, 73      | 20, 45, 53, 54, 57, 67, 74, 80, 93      |
| SPI1_CS3    | IO       | SPI1 chip select 3 signal | 29                   | C7, D1, F10, G5, J1, J7, J9                  | E4, F3                 | 24, 38, 45                      | 24, 38, 45                      | 16, 2, 26, 48, 62                        | 16, 34, 38, 46, 53, 60, 74              | 21, 44, 48, 56, 68, 75, 94              |
| SPI2_CS0    | IO       | SPI2 chip select 0 signal | 8                    | A7   | A1                     | 10                              | 10                              | 44                                       | 12                                      | 17                                      |
| SPI2_CS1    | IO       | SPI2 chip select 1 signal | 9                    | A8   | B2                     | 11                              | 11                              | 45                                       | 13                                      | 18                                      |
| SPI2_CS2    | IO       | SPI2 chip select 2 signal | 10                   | A9   | A2                     | 12                              | 12                              | 46                                       | 14                                      | 19                                      |
| SPI2_CS3    | IO       | SPI2 chip select 3 signal |                      | C6   |                        |                                 |                                 | 47                                       | 15                                      | 20                                      |

**Table 6-15. Serial Wire Debug (SWD) Signal Descriptions**

| SIGNAL NAME | PIN TYPE | DESCRIPTION  | RHB PIN | ZAW PIN | YCJ PIN | RGZ PIN | PT PIN | PM PIN | PN PIN | PZ PIN |
|-------------|----------|--|---------|---------|---------|---------|--------|--------|--------|--------|
| SWCLK       | I        | Serial wire debug interface clock input signal       | 24      | J3      | F6      | 35      | 35     | 13     | 57     | 72     |
| SWDIO       | IO       | Serial wire debug interface data input/output signal | 23      | J4      | E6      | 34      | 34     | 12     | 56     | 71     |

**Table 6-16. System Controller (SYSCTL) Signal Descriptions**

| SIGNAL NAME | PIN TYPE | DESCRIPTION  | RHB PIN | ZAW PIN | YCJ PIN | RGZ PIN | PT PIN | PM PIN | PN PIN | PZ PIN |
|-------------|----------|--|---------|---------|---------|---------|--------|--------|--------|--------|
| NRST        | I        | Active-low reset signal (must be logic high for the device to start) | 3       | B4      | E2      | 4       | 4      | 38     | 6      | 6      |

**Table 6-17. Timer (TIMx) Signal Descriptions**

| SIGNAL NAME | PIN TYPE | DESCRIPTION                    | RHB PIN           | ZAW PIN   | YCJ PIN                    | RGZ PIN                       | PT PIN                        | PM PIN                                 | PN PIN   | PZ PIN   |
|-------------|----------|--------------------------------|-------------------|---|----------------------------|-------------------------------|-------------------------------|--|--|--|
| TIMA0_C0    | IO       | TIMA0 capture/compare 0 signal | 1, 12, 25, 6      | A5, B1, D10, D3, D8, E8, F9, H3, H5, J2, J9         | C1, C2, C4, F1, G5         | 1, 15, 16, 22, 24, 39, 8      | 1, 15, 16, 22, 24, 39, 8      | 17, 2, 28, 33, 42, 51, 54, 60          | 1, 10, 19, 22, 24, 32, 38, 50, 61, 63, 76        | 1, 15, 24, 27, 29, 42, 48, 65, 76, 78, 96        |
| TIMA0_C1    | IO       | TIMA0 capture/compare 1 signal | 11, 13, 2, 26, 7  | A6, B7, C3, C4, C9, D7, D9, F3, G10, G4, G6, G7, H2 | B1, B3, D2, D3, E3, F2, F5 | 13, 17, 2, 23, 3, 40, 41, 9   | 13, 17, 2, 23, 3, 40, 41, 9   | 18, 19, 34, 35, 43, 49, 52, 55, 61, 64 | 11, 17, 2, 20, 23, 26, 3, 33, 36, 52, 62, 65, 67 | 16, 2, 22, 25, 28, 3, 31, 43, 46, 67, 77, 80, 82 |
| TIMA0_C2    | IO       | TIMA0 capture/compare 2 signal | 11, 14, 19, 23, 7 | A6, B7, C6, D9, E7, F3, G10, J4, J7, K2, K7         | A3, B1, B6, D2, E3, E6, G6 | 13, 18, 30, 34, 36, 41, 9     | 13, 18, 30, 34, 36, 41, 9     | 12, 14, 19, 43, 47, 49, 52, 56, 64, 8  | 11, 15, 17, 20, 28, 36, 44, 46, 56, 58, 67       | 16, 20, 22, 25, 33, 46, 54, 56, 71, 73, 82       |
| TIMA0_C3    | IO       | TIMA0 capture/compare 3 signal | 16, 21, 27, 29, 8 | A7, B1, C3, C8, D1, E1, F2, H10, J10, K4            | A1, A5, C3, D4, F3, G4     | 10, 14, 27, 3, 32, 42, 43, 45 | 10, 14, 27, 3, 32, 42, 43, 45 | 1, 10, 23, 24, 26, 28, 35, 44, 5, 50   | 12, 18, 3, 37, 41, 54, 71, 72, 74, 76            | 17, 23, 3, 47, 51, 69, 86, 92, 94, 96            |

**Table 6-17. Timer (TIMx) Signal Descriptions (continued)**

| SIGNAL NAME | PIN TYPE | DESCRIPTION                                  | RHB PIN           | ZAW PIN                                | YCJ PIN                | RGZ PIN                   | PT PIN                    | PM PIN                                | PN PIN                                | PZ PIN                                |
|-------------|----------|--|-------------------|--|------------------------|---------------------------|---------------------------|---------------------------------------|---------------------------------------|---------------------------------------|
| TIMA0_C0N   | O        | TIMA0 capture/compare 0 complementary output | 13, 26            | B9, C9, D2, G3, G7, H2, H4             | B3, D3, F5             | 17, 23, 40                | 17, 23, 40                | 18, 29, 55, 61                        | 23, 25, 33, 51, 62, 64, 77            | 28, 30, 43, 66, 77, 79, 97            |
| TIMA0_C1N   | O        | TIMA0 capture/compare 1 complementary output | 29, 8             | A10, A7, B8, D1, F2, F4, G5, H10       | A1, F3                 | 10, 42, 45                | 10, 42, 45                | 1, 23, 26, 44, 53                     | 12, 21, 27, 37, 53, 66, 71, 74        | 17, 26, 32, 47, 68, 81, 86, 94        |
| TIMA0_C2N   | O        | TIMA0 capture/compare 2 complementary output | 10, 15, 20, 24, 6 | A5, A9, B8, C7, E9, H7, H8, J3, K1     | A2, A4, C1, C5, D5, F6 | 12, 19, 31, 35, 37, 8     | 12, 19, 31, 35, 37, 8     | 13, 15, 42, 46, 48, 53, 57, 9         | 10, 14, 16, 21, 29, 45, 47, 57, 59    | 15, 19, 21, 26, 34, 55, 57, 72, 74    |
| TIMA0_C3N   | O        | TIMA0 capture/compare 3 complementary output | 17, 22, 28, 30, 6 | A3, A5, C2, D2, D8, E2, K10, K3        | A6, C1, C2, E5, F4, G3 | 15, 28, 33, 44, 46, 5, 8  | 15, 28, 33, 44, 46, 5, 8  | 11, 25, 29, 30, 39, 42, 51, 6         | 10, 19, 42, 55, 7, 73, 77, 78         | 15, 24, 52, 7, 70, 93, 97, 98         |
| TIMA1_C0    | IO       | TIMA1 capture/compare 0 signal               | 14, 19, 21        | B1, C3, C6, C8, D9, E7, K2, K4, K7     | A3, B6, C3, D4, G6     | 14, 18, 3, 30, 32, 36     | 14, 18, 3, 30, 32, 36     | 10, 14, 28, 35, 47, 50, 52, 56, 8     | 15, 18, 20, 28, 3, 44, 54, 58, 76     | 20, 23, 25, 3, 33, 54, 69, 73, 96     |
| TIMA1_C1    | IO       | TIMA1 capture/compare 1 signal               | 15, 20, 22, 28    | A3, B8, C7, D2, D8, E2, E9, H7, K1, K3 | A4, C2, C5, D5, E5, F4 | 15, 19, 31, 33, 37, 44, 5 | 15, 19, 31, 33, 37, 44, 5 | 11, 15, 25, 29, 39, 48, 51, 53, 57, 9 | 16, 19, 21, 29, 45, 55, 59, 7, 73, 77 | 21, 24, 26, 34, 55, 7, 70, 74, 93, 97 |
| TIMA1_C0N   | O        | TIMA1 capture/compare 0 complementary output | 12, 19            | D10, D9, E10, F2, K7                   | B6                     | 16, 20, 30, 42            | 16, 20, 30, 42            | 23, 52, 54, 58, 8                     | 20, 22, 30, 44, 71                    | 25, 27, 40, 54, 86                    |
| TIMA1_C1N   | O        | TIMA1 capture/compare 1 complementary output | 13, 20            | B8, C9, F3, F8, H7                     | B3, B4, C5, E3         | 17, 21, 31, 41            | 17, 21, 31, 41            | 19, 53, 55, 59, 9                     | 21, 23, 31, 45, 67                    | 26, 28, 41, 55, 82                    |

**Table 6-17. Timer (TIMx) Signal Descriptions (continued)**

| SIGNAL NAME | PIN TYPE | DESCRIPTION                                 | RHB PIN               | ZAW PIN  | YCJ PIN                    | RGZ PIN                   | PT PIN                    | PM PIN                                | PN PIN  | PZ PIN  |
|-------------|----------|---|-----------------------|--|----------------------------|---------------------------|---------------------------|---------------------------------------|---|---|
| TIMA_FAL0   | I        | Timer fault input 0                         | 10, 12, 15, 30, 6     | A5, A9, C1, C2, C3, D10, E8, E9, G1, H5          | A2, A4, C1, G3             | 12, 16, 19, 3, 46, 8      | 12, 16, 19, 3, 46, 8      | 22, 27, 30, 35, 42, 46, 54, 57        | 10, 14, 22, 24, 29, 3, 50, 70, 75, 78         | 15, 19, 27, 29, 3, 34, 65, 85, 95, 98         |
| TIMA_FAL1   | I        | Timer fault input 1                         | 1, 14, 6, 9           | A5, A8, B9, C1, D3, E7, F3, G10, H4              | A3, B2, C1, E3, F1         | 1, 11, 18, 41, 8          | 1, 11, 18, 41, 8          | 19, 27, 33, 42, 45, 56, 64            | 1, 10, 13, 25, 28, 36, 51, 67, 75             | 1, 15, 18, 30, 33, 46, 66, 82, 95             |
| TIMA_FAL2   | I        | Timer fault input 2                         | 12, 2, 31             | B2, C1, C4, D10, D7, E10, G6                     | F2, G2                     | 16, 2, 20, 47             | 16, 2, 20, 47             | 27, 31, 34, 54, 58                    | 2, 22, 26, 30, 52, 75, 79                     | 2, 27, 31, 40, 67, 95, 99                     |
| TIMG8_IDX   | I        | TIMG8 quadrature encoder index pulse signal | 11, 19, 2             | A10, B7, C4, G5, J1, J9, K7                      | B6, D2, E4, F2             | 13, 2, 24, 30, 38         | 13, 2, 24, 30, 38         | 16, 2, 34, 49, 8                      | 17, 2, 27, 38, 44, 53, 60                     | 2, 22, 32, 48, 54, 68, 75                     |
| TIMG9_IDX   | I        | TIMG9 quadrature encoder index pulse signal | 8                     | A10, A7, E4, F9                                  | A1, C4                     | 10, 22                    | 10, 22                    | 44, 60                                | 12, 27, 32                                    | 17, 32, 42, 89                                |
| TIMG0_C0    | IO       | TIMG0 capture/compare 0 signal              | 1, 14, 16, 23, 27, 9  | A8, C6, D3, D9, E1, E7, E8, F10, H5, J10, J4, K2 | A3, A5, B2, E6, F1, G4, G6 | 1, 11, 18, 27, 34, 36, 43 | 1, 11, 18, 27, 34, 36, 43 | 12, 14, 24, 33, 45, 47, 5, 52, 56, 62 | 1, 13, 15, 20, 24, 28, 34, 41, 50, 56, 58, 72 | 1, 18, 20, 25, 29, 33, 44, 51, 65, 71, 73, 92 |
| TIMG0_C1    | IO       | TIMG0 capture/compare 1 signal              | 10, 15, 17, 2, 24, 28 | A9, B8, B9, C4, C7, E2, E9, G9, H4, J3, K1, K10  | A2, A4, A6, D5, F2, F4, F6 | 12, 19, 2, 28, 35, 37, 44 | 12, 19, 2, 28, 35, 37, 44 | 13, 15, 25, 34, 46, 48, 53, 57, 6, 63 | 14, 16, 2, 21, 25, 29, 35, 42, 51, 57, 59, 73 | 19, 2, 21, 26, 30, 34, 45, 52, 66, 72, 74, 93 |



**Table 6-17. Timer (TIMx) Signal Descriptions (continued)**

| SIGNAL NAME | PIN TYPE | DESCRIPTION                     | RHB PIN               | ZAW PIN                                    | YCJ PIN                        | RGZ PIN                                  | PT PIN                                   | PM PIN                                  | PN PIN                                   | PZ PIN                                   |
|-------------|----------|---------------------------------|-----------------------|--|--------------------------------|--|--|---|--|--|
| TIMG12_C0   | IO       | TIMG12 capture/compare 0 signal | 1, 14, 18, 19, 21     | C8, D3, E10, E7, F3, H10, K4, K7, K8       | A3, B5, B6, C3, D4, E3, F1     | 1, 14, 18, 20, 29, 30, 32, 41            | 1, 14, 18, 20, 29, 30, 32, 41            | 1, 10, 19, 33, 50, 56, 58, 7, 8         | 1, 18, 28, 30, 37, 43, 44, 54, 67        | 1, 23, 33, 40, 47, 53, 54, 69, 82        |
| TIMG12_C1   | IO       | TIMG12 capture/compare 1 signal | 15, 18, 2, 20, 22, 29 | A3, C4, D1, D8, E9, F2, F8, H7, J9, K3, K8 | A4, B4, B5, C2, C5, E5, F2, F3 | 15, 19, 2, 21, 24, 29, 31, 33, 42, 45, 5 | 15, 19, 2, 21, 24, 29, 31, 33, 42, 45, 5 | 11, 2, 23, 26, 34, 39, 51, 57, 59, 7, 9 | 19, 2, 29, 31, 38, 43, 45, 55, 7, 71, 74 | 2, 24, 34, 41, 48, 53, 55, 7, 70, 86, 94 |
| TIMG14_C0   | I        | TIMG14 capture/compare 0 signal |                       | B3, C8, E8, G10                            | C3                             | 14                                       | 14                                       | 36, 50, 64                              | 18, 24, 36, 4                            | 23, 29, 4, 46                            |
| TIMG14_C1   | I        | TIMG14 capture/compare 1 signal |                       | B9, D4, D8, H10                            | C2                             | 15                                       | 15                                       | 1, 37, 51                               | 19, 25, 37, 5                            | 24, 30, 47, 5                            |
| TIMG14_C2   | I        | TIMG14 capture/compare 2 signal | 12                    | B10, C3, C6, D10, D7, G6, K2               | G6                             | 16, 3, 36                                | 16, 3, 36                                | 14, 35, 47, 54                          | 15, 22, 26, 3, 52, 58                    | 20, 27, 3, 31, 36, 67, 73                |
| TIMG14_C3   | I        | TIMG14 capture/compare 3 signal | 13                    | A10, B3, C7, C9, E10, G5, K1               | B3, D5                         | 17, 20, 37                               | 17, 20, 37                               | 15, 36, 48, 55, 58                      | 16, 23, 27, 30, 4, 53, 59                | 21, 28, 32, 4, 40, 68, 74                |
| TIMG6_C0    | IO       | TIMG6 capture/compare 0 signal  | 25, 9                 | A8, B1, B3, C8, E10, F10, J2               | B2, C3, G5                     | 11, 14, 20, 39                           | 11, 14, 20, 39                           | 17, 28, 36, 45, 50, 58, 62              | 13, 18, 30, 34, 4, 61, 76                | 18, 23, 4, 40, 44, 76, 96                |
| TIMG6_C1    | IO       | TIMG6 capture/compare 1 signal  | 10, 26                | A9, D2, D4, D8, F8, G9, H2                 | A2, B4, C2, F5                 | 12, 15, 21, 40                           | 12, 15, 21, 40                           | 18, 29, 37, 46, 51, 59, 63              | 14, 19, 31, 35, 5, 62, 77                | 19, 24, 41, 45, 5, 77, 97                |
| TIMG7_C0    | IO       | TIMG7 capture/compare 0 signal  | 21, 27, 30, 7         | A6, C2, C3, E1, G8, K4                     | B1, D4, G3, G4                 | 25, 3, 32, 43, 46, 9                     | 25, 3, 32, 43, 46, 9                     | 10, 24, 3, 30, 35, 43                   | 11, 3, 39, 54, 72, 78                    | 16, 3, 49, 69, 92, 98                    |

**Table 6-17. Timer (TIMx) Signal Descriptions (continued)**

| SIGNAL NAME | PIN TYPE | DESCRIPTION                    | RHB PIN                     | ZAW PIN  | YCJ PIN                                | RGZ PIN                                  | PT PIN                                   | PM PIN  | PN PIN   | PZ PIN   |
|-------------|----------|--------------------------------|-----------------------------|--|--|--|--|---|--|--|
| TIMG7_C1    | IO       | TIMG7 capture/compare 1 signal | 11, 22, 28, 31, 6, 8        | A3, A5, A7, B2, B7, E2, J1, J8, K3                             | A1, C1, D2, E4, E5, F4, G2             | 10, 13, 26, 33, 38, 44, 47, 5, 8         | 10, 13, 26, 33, 38, 44, 47, 5, 8         | 11, 16, 25, 31, 39, 4, 42, 44, 49                     | 10, 12, 17, 40, 55, 60, 7, 73, 79                            | 15, 17, 22, 50, 7, 70, 75, 93, 99                            |
| TIMG8_C0    | IO       | TIMG8 capture/compare 0 signal | 11, 2, 21, 25, 27, 30, 7, 9 | A6, A8, B3, B7, C2, C4, E1, E10, F10, G2, G8, H3, J2, J7, K4   | B1, B2, D2, D4, F2, G3, G4, G5         | 11, 13, 2, 20, 25, 32, 39, 43, 46, 9     | 11, 13, 2, 20, 25, 32, 39, 43, 46, 9     | 10, 17, 20, 24, 3, 30, 34, 36, 43, 45, 49, 58, 62     | 11, 13, 17, 2, 30, 34, 39, 4, 46, 54, 61, 63, 68, 72, 78     | 16, 18, 2, 22, 4, 40, 44, 49, 56, 69, 76, 78, 83, 92, 98     |
| TIMG8_C1    | IO       | TIMG8 capture/compare 1 signal | 1, 10, 22, 26, 28, 31, 6, 8 | A5, A7, A9, B2, D3, D4, E2, F8, G3, G9, H1, H2, H8, J1, J8, K3 | A1, A2, B4, C1, E4, E5, F1, F4, F5, G2 | 1, 10, 12, 21, 26, 33, 38, 40, 44, 47, 8 | 1, 10, 12, 21, 26, 33, 38, 40, 44, 47, 8 | 11, 16, 18, 21, 25, 31, 33, 37, 4, 42, 44, 46, 59, 63 | 1, 10, 12, 14, 31, 35, 40, 47, 5, 55, 60, 62, 64, 69, 73, 79 | 1, 15, 17, 19, 41, 45, 5, 50, 57, 70, 75, 77, 79, 84, 93, 99 |
| TIMG9_C0    | IO       | TIMG9 capture/compare 0 signal | 7                           | A6, B9, F5, F8   | B1, B4                                 | 21, 9                                    | 21, 9                                    | 43, 59  | 11, 25, 31   | 16, 30, 41, 87   |
| TIMG9_C1    | IO       | TIMG9 capture/compare 1 signal | 6                           | A5, B6, D7, E5, F7, G7   | C1, D3                                 | 23, 8                                    | 23, 8                                    | 42, 61  | 10, 26, 33   | 13, 15, 31, 39, 43, 88                                       |

**Table 6-18. Universal Asynchronous Receiver Transmitter (UART) Signal Descriptions**

| SIGNAL NAME | PIN TYPE | DESCRIPTION                | RHB PIN    | ZAW PIN                | YCJ PIN        | RGZ PIN        | PT PIN         | PM PIN                | PN PIN                | PZ PIN                |
|-------------|----------|----------------------------|------------|------------------------|----------------|----------------|----------------|-----------------------|-----------------------|-----------------------|
| UART0_CTS   | I        | UART0 clear to send signal | 13, 18, 9  | A8, B3, C1, C9, J1, K8 | B2, B3, B5, E4 | 11, 17, 29, 38 | 11, 17, 29, 38 | 16, 27, 36, 45, 55, 7 | 13, 23, 4, 43, 60, 75 | 18, 28, 4, 53, 75, 95 |
| UART0_RTS   | O        | UART0 ready to send signal | 10, 12, 19 | A9, B1, D10, D4, K7    | A2, B6         | 12, 16, 30     | 12, 16, 30     | 28, 37, 46, 54, 8     | 14, 22, 44, 5, 76     | 19, 27, 5, 54, 96     |
| UART0_RX    | I        | UART0 receive signal (RXD) | 15, 2      | A3, C4, C7, E9         | A4, F2         | 19, 2, 5       | 19, 2, 5       | 34, 39, 48, 57        | 16, 2, 29, 7          | 2, 21, 34, 7          |

**Table 6-18. Universal Asynchronous Receiver Transmitter (UART) Signal Descriptions (continued)**

| SIGNAL NAME | PIN TYPE | DESCRIPTION                 | RHB PIN        | ZAW PIN                          | YCJ PIN            | RGZ PIN            | PT PIN             | PM PIN                     | PN PIN                         | PZ PIN                         |
|-------------|----------|-----------------------------|----------------|----------------------------------|--------------------|--------------------|--------------------|----------------------------|--------------------------------|--------------------------------|
| UART0_TX    | O        | UART0 transmit signal (TXD) | 1, 14          | C3, C6, D3, E7                   | A3, F1             | 1, 18, 3           | 1, 18, 3           | 33, 35, 47, 56             | 1, 15, 28, 3                   | 1, 20, 3, 33                   |
| UART1_CTS   | I        | UART1 clear to send signal  | 16, 25         | C8, D7, F9, G1, J10, J2          | A5, C3, C4, G5     | 14, 22, 27, 39     | 14, 22, 27, 39     | 17, 22, 5, 50, 60          | 18, 26, 32, 41, 61, 70         | 23, 31, 42, 51, 76, 85         |
| UART1_RTS   | O        | UART1 ready to send signal  | 17, 26         | A10, D8, G7, H2, K10             | A6, C2, D3, F5     | 15, 23, 28, 40     | 15, 23, 28, 40     | 18, 51, 6, 61              | 19, 27, 33, 42, 62             | 24, 32, 43, 52, 77             |
| UART1_RX    | I        | UART1 receive signal (RXD)  | 10, 13, 22, 8  | A7, A9, B8, C9, F8, H1, H8, K3   | A1, A2, B3, B4, E5 | 10, 12, 17, 21, 33 | 10, 12, 17, 21, 33 | 11, 21, 44, 46, 53, 55, 59 | 12, 14, 21, 23, 31, 47, 55, 69 | 17, 19, 26, 28, 41, 57, 70, 84 |
| UART1_TX    | O        | UART1 transmit signal (TXD) | 12, 21, 7, 9   | A6, A8, D10, D9, E10, G2, J7, K4 | B1, B2, D4         | 11, 16, 20, 32, 9  | 11, 16, 20, 32, 9  | 10, 20, 43, 45, 52, 54, 58 | 11, 13, 20, 22, 30, 46, 54, 68 | 16, 18, 25, 27, 40, 56, 69, 83 |
| UART3_CTS   | I        | UART3 clear to send signal  | 16, 27         | D9, E1, G4, G6, G8, J10          | A5, G4             | 25, 27, 43         | 25, 27, 43         | 24, 3, 5, 52               | 20, 39, 41, 52, 65, 72         | 25, 49, 51, 67, 80, 92         |
| UART3_RTS   | O        | UART3 ready to send signal  | 17, 28         | B8, E2, F4, G5, J8, K10          | A6, F4             | 26, 28, 44         | 26, 28, 44         | 25, 4, 53, 6               | 21, 40, 42, 53, 66, 73         | 26, 50, 52, 68, 81, 93         |
| UART3_RX    | I        | UART3 receive signal (RXD)  | 17, 29, 30, 31 | B2, C2, D1, D8, G3, H10, K10     | A6, C2, F3, G2, G3 | 15, 28, 45, 46, 47 | 15, 28, 45, 46, 47 | 1, 26, 30, 31, 51, 6       | 19, 37, 42, 64, 74, 78, 79     | 24, 47, 52, 79, 94, 98, 99     |
| UART3_TX    | O        | UART3 transmit signal (TXD) | 18, 29, 30     | C2, C8, D1, G10, H3, K8          | B5, C3, F3, G3     | 14, 29, 45, 46     | 14, 29, 45, 46     | 26, 30, 50, 64, 7          | 18, 36, 43, 63, 74, 78         | 23, 46, 53, 78, 94, 98         |
| UART4_CTS   | I        | UART4 clear to send signal  | 6              | A5, G10, J1                      | C1, E4             | 38, 8              | 38, 8              | 16, 42, 64                 | 10, 36, 60                     | 15, 46, 75                     |
| UART4_RTS   | O        | UART4 ready to send signal  | 13, 25, 9      | A8, C9, H10, J2                  | B2, B3, G5         | 11, 17, 39         | 11, 17, 39         | 1, 17, 45, 55              | 13, 23, 37, 61                 | 18, 28, 47, 76                 |

**Table 6-18. Universal Asynchronous Receiver Transmitter (UART) Signal Descriptions (continued)**

| SIGNAL NAME | PIN TYPE | DESCRIPTION                 | RHB PIN           | ZAW PIN                              | YCJ PIN                    | RGZ PIN                       | PT PIN                        | PM PIN                           | PN PIN                            | PZ PIN                            |
|-------------|----------|-----------------------------|-------------------|--------------------------------------|----------------------------|-------------------------------|-------------------------------|----------------------------------|-----------------------------------|-----------------------------------|
| UART4_RX    | I        | UART4 receive signal (RXD)  |                   | G9, H1, K1                           | D5                         | 37                            | 37                            | 15, 21, 63                       | 35, 59, 69                        | 45, 74, 84                        |
| UART4_TX    | O        | UART4 transmit signal (TXD) |                   | F10, G2, K2                          | G6                         | 36                            | 36                            | 14, 20, 62                       | 34, 58, 68                        | 44, 73, 83                        |
| UART5_CTS   | I        | UART5 clear to send signal  |                   | C3, D7                               |                            | 3                             | 3                             | 35                               | 26, 3                             | 3, 31                             |
| UART5_RTS   | O        | UART5 ready to send signal  |                   | A10, B3                              |                            |                               |                               | 36                               | 27, 4                             | 32, 4                             |
| UART5_RX    | I        | UART5 receive signal (RXD)  | 1                 | D3, D6, E8                           | F1                         | 1                             | 1                             | 33                               | 1, 24                             | 1, 14, 29                         |
| UART5_TX    | O        | UART5 transmit signal (TXD) | 2                 | B9, C4, F6                           | F2                         | 2                             | 2                             | 34                               | 2, 25                             | 2, 30, 37                         |
| UART6_CTS   | I        | UART6 clear to send signal  |                   | D7, E4, G1                           |                            |                               |                               | 22                               | 26, 70                            | 31, 85, 89                        |
| UART6_RTS   | O        | UART6 ready to send signal  |                   | A10, F1, F2                          |                            | 42                            | 42                            | 23                               | 27, 71                            | 32, 86, 90                        |
| UART6_RX    | I        | UART6 receive signal (RXD)  |                   | E8, F5, G2                           |                            |                               |                               | 20                               | 24, 68                            | 29, 83, 87                        |
| UART6_TX    | O        | UART6 transmit signal (TXD) |                   | B9, E5, H1                           |                            |                               |                               | 21                               | 25, 69                            | 30, 84, 88                        |
| UART7_CTS   | I        | UART7 clear to send signal  | 16, 20, 25, 29, 7 | A6, C8, D1, D4, E10, H7, J1, J10, J2 | A5, B1, C3, C5, E4, F3, G5 | 14, 20, 27, 31, 38, 39, 45, 9 | 14, 20, 27, 31, 38, 39, 45, 9 | 16, 17, 26, 37, 43, 5, 50, 58, 9 | 11, 18, 30, 41, 45, 5, 60, 61, 74 | 16, 23, 40, 5, 51, 55, 75, 76, 94 |
| UART7_RTS   | O        | UART7 ready to send signal  | 19, 30, 8         | A7, B3, C2, D8, F2, F3, F8, K7       | A1, B4, B6, C2, E3, G3     | 10, 15, 21, 30, 41, 42, 46    | 10, 15, 21, 30, 41, 42, 46    | 19, 23, 30, 36, 44, 51, 59, 8    | 12, 19, 31, 4, 44, 67, 71, 78     | 17, 24, 4, 41, 54, 82, 86, 98     |
| UART7_RX    | I        | UART7 receive signal (RXD)  | 18, 26, 28        | D8, E2, H2, J8, K1, K8               | B5, C2, D5, F4, F5         | 15, 26, 29, 37, 40, 44        | 15, 26, 29, 37, 40, 44        | 15, 18, 25, 4, 51, 7             | 19, 40, 43, 59, 62, 73            | 24, 50, 53, 74, 77, 93            |
| UART7_TX    | O        | UART7 transmit signal (TXD) | 17, 25, 27        | C8, E1, G8, J2, K10, K2              | A6, C3, G4, G5, G6         | 14, 25, 28, 36, 39, 43        | 14, 25, 28, 36, 39, 43        | 14, 17, 24, 3, 50, 6             | 18, 39, 42, 58, 61, 72            | 23, 49, 52, 73, 76, 92            |

**Table 6-19. Voltage Reference Signal Descriptions**

| SIGNAL NAME | PIN TYPE | DESCRIPTION                      | RHB PIN | ZAW PIN | YCJ PIN | RGZ PIN | PT PIN | PM PIN | PN PIN | PZ PIN |
|-------------|----------|----------------------------------|---------|---------|---------|---------|--------|--------|--------|--------|
| VREF+       | A        | Voltage reference positive input | 27      | E1      | G4      | 43      | 43     | 24     | 72     | 92     |
| VREF-       | A        | Voltage reference negative input | 25      | J2      | G5      | 39      | 39     | 17     | 61     | 76     |

## 6.4 Connections for Unused Pins

Table 6-20 lists the correct termination of unused pins.

**Table 6-20. Connection of Unused Pins**

| PIN <sup>(1)</sup> | POTENTIAL | COMMENT   |
|--------------------|-----------|---|
| PAx, PBx, PCx      | Open      | Set corresponding pin functions to GPIO (PINCMx.PF = 0x1) and configure unused pins to output low or input with internal pullup/pulldown resistor.        |
| NRST               | VCC       | NRST is an active-low reset signal; it must be pulled high to VCC or the device will not start, for more information refer to <a href="#">Section 9.1</a> |

(1) Any unused pin with a function that is shared with general-purpose I/O should follow the "PAx and PBx" unused pin connection guidelines.

## 7 Specifications

### 7.1 Absolute Maximum Ratings

over operating free-air temperature range (unless otherwise noted)<sup>(1)</sup>

|                                 |                                    |   | MIN  | MAX                                | UNIT |
|---------------------------------|------------------------------------|---|------|------------------------------------|------|
| VDD                             | Supply voltage                     | At VDD pin  | -0.3 | 4.1                                | V    |
| V <sub>I</sub>                  | Input voltage                      | Applied to any 5-V tolerant open-drain pins               | -0.3 | 5.5                                | V    |
| V <sub>I</sub>                  | Input voltage                      | Applied to any common tolerance pins                      | -0.3 | V <sub>DD</sub> + 0.3<br>(4.1 MAX) | V    |
| I <sub>VDD</sub> <sup>(3)</sup> | Current into VDD pin (source)      | -40 °C ≤ T <sub>J</sub> ≤ 130 °C                          |      | 80                                 | mA   |
|                                 | Current into VDD pin (source)      | -40 °C ≤ T <sub>J</sub> ≤ 90 °C                           |      | 100                                | mA   |
| I <sub>VSS</sub> <sup>(3)</sup> | Current out of VSS pin (sink)      | -40 °C ≤ T <sub>J</sub> ≤ 130 °C                          |      | 80                                 | mA   |
|                                 | Current out of VSS pin (sink)      | -40 °C ≤ T <sub>J</sub> ≤ 90 °C                           |      | 100                                | mA   |
| I <sub>IO</sub>                 | Current of SDIO pin                | Current sunk or sourced by SDIO pin, VDD ≥ 2.7V           |      | 6                                  | mA   |
|                                 | Current of HSIO pin                | Current sunk or sourced by HSIO pin, VDD ≥ 2.7V           |      | 6                                  | mA   |
|                                 | Current of HDIO pin                | Current sunk or sourced by HDIO pin                       |      | 20                                 | mA   |
|                                 | Current of ODIO pin                | Current sunk by ODIO pin                                  |      | 20                                 | mA   |
| I <sub>D</sub>                  | Supported diode current            | Diode current at any device pin (excluding Open Drain IO) | -2   | 2                                  | mA   |
| T <sub>A</sub>                  | Ambient temperature                | Ambient temperature                                       | -40  | 125                                | °C   |
| T <sub>J</sub>                  | Junction temperature               | Junction temperature                                      | -40  | 130                                | °C   |
| T <sub>stg</sub>                | Storage temperature <sup>(2)</sup> | Storage temperature <sup>(2)</sup>                        | -40  | 150                                | °C   |

- (1) Operation outside the Absolute Maximum Ratings may cause permanent device damage. Absolute Maximum Ratings do not imply functional operation of the device at these or any other conditions beyond those listed under Recommended Operating Conditions. If used outside the Recommended Operating Conditions but within the Absolute Maximum Ratings, the device may not be fully functional, and this may affect device reliability, functionality, performance, and shorten the device lifetime
- (2) Higher temperatures may be applied during board soldering according to the current JEDEC J-STD-020 specification with peak reflow temperatures not higher than classified on the device label on the shipping boxes or reels.
- (3) For applications running at VDD=1.62V, I<sub>VDD</sub>/I<sub>VSS</sub> ≤ 20mA is required to ensure device functionality

### 7.2 ESD Ratings

|                    |                         |  | VALUE | UNIT |
|--------------------|-------------------------|--|-------|------|
| V <sub>(ESD)</sub> | Electrostatic discharge | Human body model (HBM), per ANSI/ESDA/ JEDEC JS-001, all pins <sup>(1)</sup>             | ±2000 | V    |
|                    |                         | Charged device model (CDM), per JEDEC specification JESD22-C101, all pins <sup>(2)</sup> | ±500  | V    |

- (1) JEDEC document JEP155 states that 500-V HBM allows safe manufacturing with a standard ESD control process.
- (2) JEDEC document JEP157 states that 250-V CDM allows safe manufacturing with a standard ESD control process.

### 7.3 Recommended Operating Conditions

over operating free-air temperature range (unless otherwise noted)

|                    |  |  | MIN  | NOM  | MAX | UNIT |
|--------------------|--|--|------|------|-----|------|
| VDD                | Supply voltage   |  | 1.62 |      | 3.6 | V    |
| VCORE              | Voltage on VCORE pin <sup>(2)</sup>                          |  |      | 1.35 |     | V    |
| C <sub>VDD</sub>   | Capacitor connected between VDD and VSS <sup>(1)</sup>       |  |      | 10   |     | uF   |
| C <sub>VCORE</sub> | Capacitor connected between VCORE and VSS <sup>(1) (2)</sup> |  |      | 470  |     | nF   |
| T <sub>A</sub>     | Ambient temperature  |  | -40  |      | 125 | °C   |

over operating free-air temperature range (unless otherwise noted)

|                                     |  | MIN | NOM | MAX | UNIT |
|-------------------------------------|--|-----|-----|-----|------|
| T <sub>J</sub>                      | Max junction temperature                                       |     |     | 130 | °C   |
| f <sub>MCLK</sub> (PD1 bus clock)   | MCLK, CPUCLK frequency with 2 flash wait states <sup>(3)</sup> |     |     | 80  | MHz  |
|                                     | MCLK, CPUCLK frequency with 1 flash wait state <sup>(3)</sup>  |     |     | 48  |      |
|                                     | MCLK, CPUCLK frequency with 0 flash wait states <sup>(3)</sup> |     |     | 24  |      |
| f <sub>ULPCLK</sub> (PD0 bus clock) | ULPCLK frequency   |     |     | 40  | MHz  |

- (1) Connect C<sub>VDD</sub> and C<sub>VCORE</sub> between VDD/VSS and V<sub>CORE</sub>/VSS, respectively, as close to the device pins as possible. A low-ESR capacitor with at least the specified value and tolerance of ±20% or better is required for C<sub>VDD</sub> and C<sub>VCORE</sub>.
- (2) The V<sub>CORE</sub> pin must only be connected to C<sub>VCORE</sub>. Do not supply any voltage or apply any external load to the V<sub>CORE</sub> pin.
- (3) Wait states are managed automatically by the system controller (SYSCTL) and do not need to be configured by application software unless MCLK is sourced from a high speed clock source (HSCLK sourced from HFCLK or SYSPLL).

## 7.4 Thermal Information

| THERMAL METRIC <sup>(1)</sup> |  | PACKAGE         | VALUE | UNIT |
|-------------------------------|--|-----------------|-------|------|
| R <sub>θJA</sub>              | Junction-to-ambient thermal resistance       | nFBGA-100 (ZAW) | 53.4  | °C/W |
| R <sub>θJC(top)</sub>         | Junction-to-case (top) thermal resistance    |                 | 21    | °C/W |
| R <sub>θJB</sub>              | Junction-to-board thermal resistance         |                 | 32.2  | °C/W |
| Ψ <sub>JT</sub>               | Junction-to-top characterization parameter   |                 | 0.7   | °C/W |
| Ψ <sub>JB</sub>               | Junction-to-board characterization parameter |                 | 32    | °C/W |
| R <sub>θJC(bot)</sub>         | Junction-to-case (bottom) thermal resistance |                 | N/A   | °C/W |
| R <sub>θJA</sub>              | Junction-to-ambient thermal resistance       | LQFP-100 (PZ)   | 72.1  | °C/W |
| R <sub>θJC(top)</sub>         | Junction-to-case (top) thermal resistance    |                 | 21.4  | °C/W |
| R <sub>θJB</sub>              | Junction-to-board thermal resistance         |                 | 54.8  | °C/W |
| Ψ <sub>JT</sub>               | Junction-to-top characterization parameter   |                 | 1     | °C/W |
| Ψ <sub>JB</sub>               | Junction-to-board characterization parameter |                 | 53.7  | °C/W |
| R <sub>θJC(bot)</sub>         | Junction-to-case (bottom) thermal resistance |                 | N/A   | °C/W |
| R <sub>θJA</sub>              | Junction-to-ambient thermal resistance       | LQFP-80 (PN)    | 58.9  | °C/W |
| R <sub>θJC(top)</sub>         | Junction-to-case (top) thermal resistance    |                 | 18.9  | °C/W |
| R <sub>θJB</sub>              | Junction-to-board thermal resistance         |                 | 38.7  | °C/W |
| Ψ <sub>JT</sub>               | Junction-to-top characterization parameter   |                 | 0.9   | °C/W |
| Ψ <sub>JB</sub>               | Junction-to-board characterization parameter |                 | 38.2  | °C/W |
| R <sub>θJC(bot)</sub>         | Junction-to-case (bottom) thermal resistance |                 | N/A   | °C/W |
| R <sub>θJA</sub>              | Junction-to-ambient thermal resistance       | LQFP-64 (PM)    | 62    | °C/W |
| R <sub>θJC(top)</sub>         | Junction-to-case (top) thermal resistance    |                 | 21.6  | °C/W |
| R <sub>θJB</sub>              | Junction-to-board thermal resistance         |                 | 39.1  | °C/W |
| Ψ <sub>JT</sub>               | Junction-to-top characterization parameter   |                 | 1     | °C/W |
| Ψ <sub>JB</sub>               | Junction-to-board characterization parameter |                 | 38.7  | °C/W |
| R <sub>θJC(bot)</sub>         | Junction-to-case (bottom) thermal resistance |                 | N/A   | °C/W |
| R <sub>θJA</sub>              | Junction-to-ambient thermal resistance       | LQFP-48 (PT)    | 70.6  | °C/W |
| R <sub>θJC(top)</sub>         | Junction-to-case (top) thermal resistance    |                 | 27    | °C/W |
| R <sub>θJB</sub>              | Junction-to-board thermal resistance         |                 | 42.5  | °C/W |
| Ψ <sub>JT</sub>               | Junction-to-top characterization parameter   |                 | 1.5   | °C/W |
| Ψ <sub>JB</sub>               | Junction-to-board characterization parameter |                 | 42.1  | °C/W |
| R <sub>θJC(bot)</sub>         | Junction-to-case (bottom) thermal resistance |                 | N/A   | °C/W |

| THERMAL METRIC <sup>(1)</sup> |  | PACKAGE        | VALUE | UNIT |
|-------------------------------|--|----------------|-------|------|
| $R_{\theta JA}$               | Junction-to-ambient thermal resistance       | VQFN-48 (RGZ)  | 28.3  | °C/W |
| $R_{\theta JC(top)}$          | Junction-to-case (top) thermal resistance    |                | 18.5  | °C/W |
| $R_{\theta JB}$               | Junction-to-board thermal resistance         |                | 10.7  | °C/W |
| $\Psi_{JT}$                   | Junction-to-top characterization parameter   |                | 0.2   | °C/W |
| $\Psi_{JB}$                   | Junction-to-board characterization parameter |                | 10.6  | °C/W |
| $R_{\theta JC(bot)}$          | Junction-to-case (bottom) thermal resistance |                | 2.8   | °C/W |
| $R_{\theta JA}$               | Junction-to-ambient thermal resistance       | DSBGA-42 (YCJ) | TBD   | °C/W |
| $R_{\theta JC(top)}$          | Junction-to-case (top) thermal resistance    |                | TBD   | °C/W |
| $R_{\theta JB}$               | Junction-to-board thermal resistance         |                | TBD   | °C/W |
| $\Psi_{JT}$                   | Junction-to-top characterization parameter   |                | TBD   | °C/W |
| $\Psi_{JB}$                   | Junction-to-board characterization parameter |                | TBD   | °C/W |
| $R_{\theta JC(bot)}$          | Junction-to-case (bottom) thermal resistance |                | TBD   | °C/W |
| $R_{\theta JA}$               | Junction-to-ambient thermal resistance       | VQFN-32 (RHB)  | 31.3  | °C/W |
| $R_{\theta JC(top)}$          | Junction-to-case (top) thermal resistance    |                | 22.6  | °C/W |
| $R_{\theta JB}$               | Junction-to-board thermal resistance         |                | 12.2  | °C/W |
| $\Psi_{JT}$                   | Junction-to-top characterization parameter   |                | 0.3   | °C/W |
| $\Psi_{JB}$                   | Junction-to-board characterization parameter |                | 12.1  | °C/W |
| $R_{\theta JC(bot)}$          | Junction-to-case (bottom) thermal resistance |                | 2.8   | °C/W |

(1) For more information about traditional and new thermal metrics, see the [Semiconductor and IC Package Thermal Metrics](#) application report.



## 7.5 Supply Current Characteristics

### 7.5.1 RUN/SLEEP Modes

VDD=3.3V. All inputs tied to 0V or VDD. Outputs do not source or sink any current. All peripherals are disabled.

| PARAMETER                                   |   | MCLK  | -40°C |      | 25°C |      | 85°C |      | 105°C |      | 125°C |      | UNIT   |
|---|---|-------|-------|------|------|------|------|------|-------|------|-------|------|--------|
|   |   |       | TYP   | MAX  | TYP  | MAX  | TYP  | MAX  | TYP   | MAX  | TYP   | MAX  |        |
| <b>RUN Mode</b>                             |   |       |       |      |      |      |      |      |       |      |       |      |        |
| IDD <sub>RUN</sub>                          | MCLK=SYSPLL,<br>SYSPLLREF=SYSOSC, CoreMark,<br>execute from flash | 80MHz | 9.7   |      | 9.8  |      | 10.1 |      | 10.4  |      | 11.2  |      | mA     |
|   |   | 48MHz | 6.2   |      | 6.3  |      | 6.6  |      | 7     |      | 7.8   |      |        |
|   | MCLK=SYSOSC, CoreMark,<br>execute from flash                      | 32MHz | 4.7   |      | 4.8  |      | 5.1  |      | 5.4   |      | 6.2   |      |        |
|   |   | 4MHz  | 0.9   |      | 1    |      | 1.3  |      | 1.6   |      | 2.6   |      |        |
|   | MCLK=SYSPLL,<br>SYSPLLREF=SYSOSC, CoreMark,<br>execute from SRAM  | 80MHz | 9.3   |      | 9.5  |      | 9.8  |      | 10.2  |      | 11    |      |        |
|   |   | 48MHz | 6     |      | 6.2  |      | 6.5  |      | 6.8   |      | 7.7   |      |        |
| MCLK=SYSOSC, CoreMark,<br>execute from SRAM | 32MHz   | 4.3   |       | 4.4  |      | 4.7  |      | 5    |       | 5.9  |       |      |        |
|   | 4MHz  | 0.9   |       | 0.9  |      | 1.2  |      | 1.6  |       | 2.4  |       |      |        |
| IDD <sub>RUN</sub> ,<br>per MHz             | MCLK=SYSPLL,<br>SYSPLLREF=SYSOSC, CoreMark,<br>execute from flash | 80MHz | 121   |      | 123  |      | 126  |      | 130   |      | 141   |      | uA/MHz |
|   | MCLK=SYSPLL,<br>SYSPLLREF=SYSOSC, While(1),<br>execute from flash | 80MHz | 58    | 68   | 59   | 71   | 63   | 80   | 67    | 92   | 78    | 102  |        |
| <b>SLEEP Mode</b>                           |   |       |       |      |      |      |      |      |       |      |       |      |        |
| IDD <sub>SLEEP</sub>                        | MCLK=SYSPLL,<br>SYSPLLREF=SYSOSC, CPU is<br>halted                | 80MHz | 2926  | 3570 | 3009 | 3806 | 3303 | 4553 | 3637  | 5496 | 4471  | 6678 | uA     |
|   |   | 48MHz | 2175  | 2589 | 2248 | 2900 | 2546 | 3756 | 2881  | 4731 | 3717  | 5922 |        |
|   | MCLK=SYSOSC, CPU is halted  | 32MHz | 1701  | 2050 | 1767 | 2250 | 2064 | 3118 | 2397  | 4079 | 3227  | 5409 |        |
|   |   | 4MHz  | 544   | 694  | 596  | 772  | 899  | 1604 | 1233  | 2482 | 2066  | 4257 |        |
| IDD <sub>SLEEP</sub> ,<br>per MHz           | MCLK=SYSPLL,<br>SYSPLLREF=SYSOSC, CPU is<br>halted                | 80MHz | 37    |      | 38   |      | 42   |      | 46    |      | 56    |      | uA/MHz |

### 7.5.2 STOP/STANDBY Modes

VDD=3.3V. All inputs tied to 0V or VDD. Outputs do not source or sink any current. All peripherals not noted are disabled.

| PARAMETER            |  | ULPCLK | -40°C |     | 25°C |     | 85°C |     | 105°C |     | 125°C |     | UNIT |
|----------------------|--|--------|-------|-----|------|-----|------|-----|-------|-----|-------|-----|------|
|                      |  |        | TYP   | MAX | TYP  | MAX | TYP  | MAX | TYP   | MAX | TYP   | MAX |      |
| <b>STOP Mode</b>     |  |        |       |     |      |     |      |     |       |     |       |     |      |
| IDD <sub>STOP0</sub> | SYSOSC=32MHz,<br>USE4MHZSTOP=0,<br>DISABLESTOP=0 | 4MHz   | 433   | 480 | 440  | 495 | 444  | 500 | 449   | 512 | 467   | 516 | uA   |
| IDD <sub>STOP1</sub> | SYSOSC=4MHz,<br>USE4MHZSTOP=1,<br>DISABLESTOP=0  |        | 217   | 248 | 223  | 255 | 229  | 263 | 235   | 275 | 255   | 298 |      |
| IDD <sub>STOP2</sub> | SYSOSC off, DISABLESTOP=1,<br>ULPCLK=LFCLK       | 32kHz  | 54    | 67  | 56   | 70  | 61   | 78  | 67    | 92  | 86    | 123 |      |
| <b>STANDBY Mode</b>  |  |        |       |     |      |     |      |     |       |     |       |     |      |

VDD=3.3V. All inputs tied to 0V or VDD. Outputs do not source or sink any current. All peripherals not noted are disabled.

| PARAMETER            |  | ULPCLK | -40°C |     | 25°C |     | 85°C |     | 105°C |     | 125°C |     | UNIT |
|----------------------|--|--------|-------|-----|------|-----|------|-----|-------|-----|-------|-----|------|
|                      |  |        | TYP   | MAX | TYP  | MAX | TYP  | MAX | TYP   | MAX | TYP   | MAX |      |
| IDD <sub>STBY0</sub> | LFCLK=LFXT, STOPCLKSTBY=0, RTC enabled | 32kHz  | 2     | 5   | 2.3  | 5   | 6    | 40  | 11    | 75  | 29    | 105 | uA   |
|                      |  |        | 1.5   | 3   | 1.7  | 4   | 5    | 40  | 10    | 70  | 28    | 100 |      |
|                      |  |        | 1.5   | 3   | 1.7  | 4   | 5    | 40  | 10    | 70  | 28    | 100 |      |
|                      |  |        | 1.5   | 3   | 1.7  | 4   | 5    | 40  | 10    | 70  | 28    | 100 |      |

### 7.5.3 SHUTDOWN Mode

All inputs tied to 0V or VDD. Outputs do not source or sink any current. Core regulator is powered down.

| PARAMETER           |                                 | VDD  | -40°C |     | 25°C |     | 85°C |     | 105°C |     | 125°C |     | UNIT |
|---------------------|---------------------------------|------|-------|-----|------|-----|------|-----|-------|-----|-------|-----|------|
|                     |                                 |      | TYP   | MAX | TYP  | MAX | TYP  | MAX | TYP   | MAX | TYP   | MAX |      |
| IDD <sub>SHDN</sub> | Supply current in SHUTDOWN mode | 3.3V | 57    |     | 92   |     | 566  |     | 1335  |     | 3988  | nA  |      |

## 7.6 Power Supply Sequencing

### 7.6.1 Power Supply Ramp

Figure 7-1 gives the relationship of POR-, POR+, BOR0-, and BOR0+ during power-up and power-down.

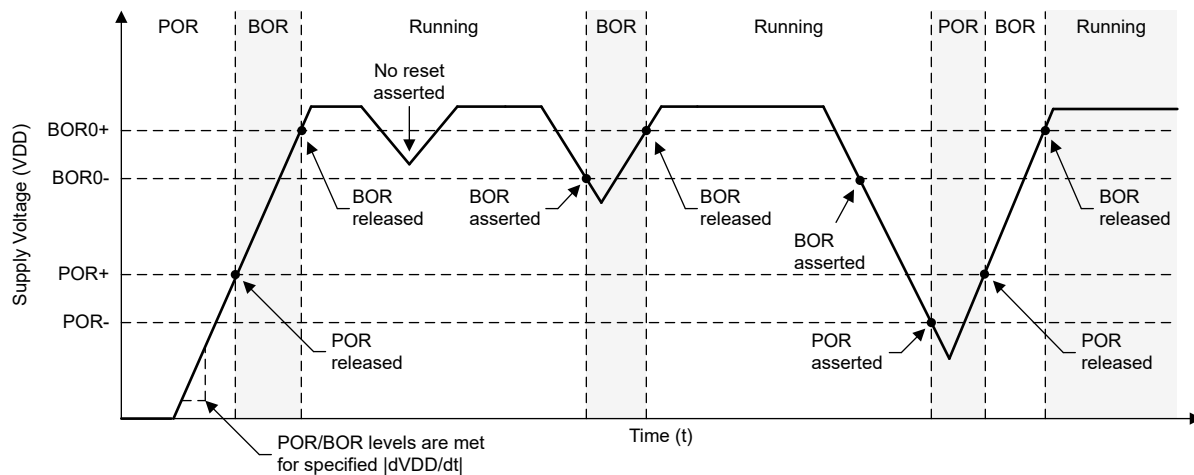


Figure 7-1. Power Cycle POR/BOR Conditions - VDD

### 7.6.2 POR and BOR

over operating free-air temperature range (unless otherwise noted)

| PARAMETER             |                                | TEST CONDITIONS        | MIN  | TYP  | MAX  | UNIT |
|-----------------------|--------------------------------|------------------------|------|------|------|------|
| dVDD/dt               | VDD (supply voltage) slew rate | Rising                 |      |      | 0.1  | V/us |
|                       |                                | Falling <sup>(1)</sup> |      |      | 0.01 |      |
|                       |                                | Falling, STANDBY       |      |      | 0.1  | V/ms |
| V <sub>POR+</sub>     | Power-on reset voltage level   | Rising                 | 0.95 | 1.30 | 1.59 | V    |
| V <sub>POR-</sub>     |                                | Falling                | 0.9  | 1.25 | 1.54 | V    |
| V <sub>HYS, POR</sub> | POR hysteresis                 |                        | 30   | 58   | 74   | mV   |

over operating free-air temperature range (unless otherwise noted)

| PARAMETER                    |   | TEST CONDITIONS                                       | MIN  | TYP  | MAX  | UNIT |
|------------------------------|---|---|------|------|------|------|
| V <sub>BOR0+</sub> ,<br>COLD | Brown-out reset voltage level 0 (default level) | -40 °C ≤ T <sub>a</sub> ≤ 25 °C<br>Cold start, rising | 1.50 | 1.56 | 1.63 | V    |
|                              |   | 25 °C ≤ T <sub>a</sub> ≤ 125 °C<br>Cold start, rising | 1.51 | 1.58 | 1.65 |      |
| V <sub>BOR0+</sub>           |   | Rising <sup>(1)</sup>                                 | 1.56 | 1.59 | 1.62 |      |
| V <sub>BOR0-</sub>           |   | Falling <sup>(1)</sup>                                | 1.55 | 1.58 | 1.61 |      |
| V <sub>BOR0, STBY</sub>      |   | STANDBY mode  | 1.51 | 1.56 | 1.61 |      |
| V <sub>BOR1+</sub>           |   | Rising <sup>(1)</sup>                                 | 2.13 | 2.17 | 2.21 |      |
| V <sub>BOR1-</sub>           | Falling <sup>(1)</sup>                          | 2.10  | 2.14 | 2.18 |      |      |
| V <sub>BOR1, STBY</sub>      | STANDBY mode                                    | 2.06  | 2.13 | 2.20 |      |      |
| V <sub>BOR2+</sub>           | Brown-out-reset voltage level 2                 | Rising <sup>(1)</sup>                                 | 2.73 | 2.77 | 2.82 | V    |
| V <sub>BOR2-</sub>           |   | Falling <sup>(1)</sup>                                | 2.7  | 2.74 | 2.79 |      |
| V <sub>BOR2, STBY</sub>      |   | STANDBY mode  | 2.62 | 2.71 | 2.8  |      |
| V <sub>BOR3+</sub>           | Brown-out-reset voltage level 3                 | Rising <sup>(1)</sup>                                 | 2.88 | 2.96 | 3.04 | V    |
| V <sub>BOR3-</sub>           |   | Falling <sup>(1)</sup>                                | 2.85 | 2.93 | 3.01 |      |
| V <sub>BOR3, STBY</sub>      |   | STANDBY mode  | 2.82 | 2.92 | 3.02 |      |
| V <sub>HYS,BOR</sub>         | Brown-out reset hysteresis                      | Level 0   |      | 15   | 21   | mV   |
|                              |   | Levels 1-3  |      | 34   | 40   |      |
| T <sub>PD, BOR</sub>         | BOR propagation delay                           | RUN/SLEEP/STOP<br>mode                                |      |      | 5    | us   |
|                              |   | STANDBY mode  |      |      | 100  | us   |

(1) Device operating in RUN, SLEEP, or STOP mode.

## 7.7 Flash Memory Characteristics

over operating free-air temperature range (unless otherwise noted)

| PARAMETER                       |  | TEST CONDITIONS                | MIN  | TYP | MAX | UNIT               |
|---------------------------------|--|--------------------------------|------|-----|-----|--------------------|
| <b>Supply</b>                   |  |                                |      |     |     |                    |
| VDD <sub>PGM/ERASE</sub>        | Program and erase supply voltage   |                                | 1.62 |     | 3.6 | V                  |
| IDDERASE                        | Supply current from VDD during erase operation                                 | Supply current delta           |      |     | 10  | mA                 |
| IDDPGM                          | Supply current from VDD during program operation                               | Supply current delta           |      |     | 10  | mA                 |
| <b>Endurance</b>                |  |                                |      |     |     |                    |
| NWEC(HI_ENDURANCE)              | Erase/program cycle endurance for chosen 32 sectors of flash <sup>(1)</sup>    |                                | 100  |     |     | k cycles           |
| NWEC(NORMAL_ENDURANCE)          | Erase/program cycle endurance (Flash not used for HI_ENDURANCE) <sup>(1)</sup> |                                | 10   |     |     | k cycles           |
| NE <sub>(MAX)</sub>             | Total erase operations before failure <sup>(2)</sup>                           |                                | 802  |     |     | k erase operations |
| NW <sub>(MAX)</sub>             | Write operations per word line before sector erase <sup>(3)</sup>              |                                |      |     | 83  | write operations   |
| <b>Retention</b>                |  |                                |      |     |     |                    |
| t <sub>RET_85</sub>             | Flash memory data retention  | -40°C ≤ T <sub>j</sub> ≤ 85°C  | 60   |     |     | years              |
| t <sub>RET_105</sub>            | Flash memory data retention  | -40°C ≤ T <sub>j</sub> ≤ 105°C | 11.4 |     |     | years              |
| <b>Program and Erase Timing</b> |  |                                |      |     |     |                    |
| t <sub>PROG (WORD, 64)</sub>    | Program time for flash word <sup>(4)</sup> <sup>(6)</sup>                      |                                |      | 50  | 275 | μs                 |
| t <sub>PROG (SEC, 64)</sub>     | Program time for 1kB sector <sup>(5)</sup> <sup>(6)</sup>                      |                                |      | 6.4 |     | ms                 |

over operating free-air temperature range (unless otherwise noted)

| PARAMETER                 |                   | TEST CONDITIONS                                    | MIN | TYP | MAX | UNIT |
|---------------------------|-------------------|--|-----|-----|-----|------|
| t <sub>ERASE</sub> (SEC)  | Sector erase time | ≤2k erase/program cycles,<br>T <sub>j</sub> ≥25°C  |     | 4   | 20  | ms   |
| t <sub>ERASE</sub> (SEC)  | Sector erase time | ≤10k erase/program cycles,<br>T <sub>j</sub> ≥25°C |     | 20  | 150 | ms   |
| t <sub>ERASE</sub> (SEC)  | Sector erase time | <10k erase/program cycles                          |     | 20  | 200 | ms   |
| t <sub>ERASE</sub> (BANK) | Bank erase time   | <10k erase/program cycles                          |     | 22  | 220 | ms   |

- Up to 32 application-chosen sectors from the main flash bank(s) or data bank can be used as high endurance sectors. This enables applications that frequently update flash data such as EEPROM emulation.
- Total number of cumulative erase operations supported by the flash before failure. A sector erase or bank erase operation is considered to be one erase operation.
- Maximum number of write operations allowed per word line before the word line must be erased. If additional writes to the same word line are required, a sector erase is required once the maximum number of write operations per word line is reached.
- Program time is defined as the time from when the program command is triggered until the command completion interrupt flag is set in the flash controller.
- Sector program time is defined as the time from when the first word program command is triggered until the final word program command completes and the interrupt flag is set in the flash controller. This time includes the time needed for software to load each flash word (after the first flash word) into the flash controller during programming of the sector.
- Flash word size is 64 data bits (8 bytes). On devices with ECC, the total flash word size is 72 bits (64 data bits plus 8 ECC bits).

## 7.8 Timing Characteristics

VDD=3.3V, T<sub>a</sub>=25°C (unless otherwise noted)

| PARAMETER                                     |   | TEST CONDITIONS    | MIN | TYP  | MAX | UNIT |
|---|---|--------------------|-----|------|-----|------|
| <b>Wakeup Timing</b>                          |   |                    |     |      |     |      |
| t <sub>WAKE, SLEEP</sub>                      | Wakeup time from SLEEP0 to RUN <sup>(1)</sup>                         |                    |     | 1.4  |     | us   |
|   | Wakeup time from SLEEP1 to RUN <sup>(1)</sup>                         |                    |     | 1.6  |     |      |
|   | Wakeup time from SLEEP2 to RUN <sup>(1)</sup>                         |                    |     | 2.2  |     |      |
| t <sub>WAKE, STOP</sub>                       | Wakeup time from STOP0 to RUN (SYSOSC enabled) <sup>(1)</sup>         |                    |     | 8    |     | us   |
|   | Wakeup time from STOP1 to RUN (SYSOSC enabled) <sup>(1)</sup>         |                    |     | 10   |     |      |
|   | Wakeup time from STOP2 to RUN (SYSOSC disabled) <sup>(1)</sup>        |                    |     | 10   |     |      |
| t <sub>WAKE, STANDBY</sub>                    | Wakeup time from STANDBY0 to RUN <sup>(1)</sup>                       |                    |     | 11.4 |     | us   |
|   | Wakeup time from STANDBY1 to RUN <sup>(1)</sup>                       |                    |     | 11.4 |     |      |
| t <sub>WAKEUP, SHDN</sub>                     | Wakeup time from SHUTDOWN to RUN <sup>(2)</sup>                       | Fast boot enabled  |     | 285  |     | us   |
|   |   | Fast boot disabled |     | 315  |     |      |
| <b>Asynchronous Fast Clock Request Timing</b> |   |                    |     |      |     |      |
| t <sub>DELAY, SLEEP</sub>                     | Delay time from edge of asynchronous request to first 32MHz MCLK edge | Mode is SLEEP1     |     | 0.34 |     | us   |
|   |   | Mode is SLEEP2     |     | 0.94 |     |      |
| t <sub>DELAY, STOP</sub>                      | Delay time from edge of asynchronous request to first 32MHz MCLK edge | Mode is STOP0      |     | 0.1  |     | us   |
|   |   | Mode is STOP1      |     | 2.4  |     |      |
|   |   | Mode is STOP2      |     | 0.9  |     |      |
| t <sub>DELAY, STANDBY</sub>                   | Delay time from edge of asynchronous request to first 32MHz MCLK edge | Mode is STANDBY0   |     | 3    |     | us   |
|   |   | Mode is STANDBY1   |     | 3.1  |     |      |
| <b>Startup Timing</b>                         |   |                    |     |      |     |      |
| t <sub>START, RESET</sub>                     | Device cold startup time from reset/power-up <sup>(3)</sup>           | Fast boot enabled  |     | 300  |     | us   |
|   |   | Fast boot disabled |     | 350  |     |      |
| <b>NRST Timing</b>                            |   |                    |     |      |     |      |

VDD=3.3V, T<sub>a</sub>=25°C (unless otherwise noted)

| PARAMETER                 |  | TEST CONDITIONS | MIN | TYP | MAX | UNIT |
|---------------------------|--|-----------------|-----|-----|-----|------|
| t <sub>RST, BOOTRST</sub> | Pulse length on NRST pin to generate BOOTRST | ULPCLK≥4MHz     |     | 1.5 |     | us   |
|                           |  | ULPCLK=32kHz    |     | 29  |     |      |
| t <sub>RST, POR</sub>     | Pulse length on NRST pin to generate POR     |                 |     | 1   |     | s    |

- The wake-up time is measured from the edge of an external wake-up signal (GPIO wake-up event) to the time that the first instruction of the user program is executed, with glitch filter disabled (FILTEREN=0x0) and fast wake enabled (FASTWAKEONLY=1).
- The wake-up time is measured from the edge of an external wake-up signal (IOMUX wake-up event) to the time that first instruction of the user program is executed.
- The start-up time is measured from the time that VDD crosses VBOR0- (cold start-up) to the time that the first instruction of the user program is executed.

## 7.9 Clock Specifications

### 7.9.1 System Oscillator (SYSOSC)

over operating free-air temperature range (unless otherwise noted)

| PARAMETER                   |  | TEST CONDITIONS  | MIN   | TYP | MAX  | UNIT |
|-----------------------------|--|--|-------|-----|------|------|
| f <sub>SYSOSC</sub>         | Factory trimmed SYSOSC frequency   | SYSOSCCFG.FREQ=00 (BASE)   |       | 32  |      | MHz  |
|                             |  | SYSOSCCFG.FREQ=01  |       | 4   |      |      |
|                             | User trimmed SYSOSC frequency  | SYSOSCCFG.FREQ=10, SYSOSCTRIMUSER.FREQ=10                                    |       | 24  |      |      |
|                             |  | SYSOSCCFG.FREQ=10, SYSOSCTRIMUSER.FREQ=01                                    |       | 16  |      |      |
| f <sub>SYSOSC</sub>         | SYSOSC frequency accuracy when frequency correction loop (FCL) is enabled and an ideal ROSC resistor is assumed <sup>(1) (2)</sup>   | SETUSEFCL=1, T <sub>a</sub> = 25 °C  | -0.60 |     | 0.68 | %    |
|                             |  | SETUSEFCL=1, -40 °C ≤ T <sub>a</sub> ≤ 85 °C                                 | -0.80 |     | 0.93 |      |
|                             |  | SETUSEFCL=1, -40 °C ≤ T <sub>a</sub> ≤ 105 °C                                | -0.80 |     | 1.1  |      |
|                             |  | SETUSEFCL=1, -40 °C ≤ T <sub>a</sub> ≤ 125 °C                                | -0.80 |     | 1.3  |      |
| f <sub>SYSOSC</sub>         | SYSOSC accuracy when frequency correction loop (FCL) is enabled with R <sub>OSC</sub> resistor put at R <sub>OSC</sub> pin, for factory trimmed frequencies <sup>(1) (5) (6)</sup> | SETUSEFCL=1, T <sub>a</sub> = 25 °C, ±0.1% ±25ppm R <sub>OSC</sub>           | -0.7  |     | 0.78 | %    |
|                             |  | SETUSEFCL=1, -40 °C ≤ T <sub>a</sub> ≤ 85 °C, ±0.1% ±25ppm R <sub>OSC</sub>  | -1.1  |     | 1.2  |      |
|                             |  | SETUSEFCL=1, -40 °C ≤ T <sub>a</sub> ≤ 105 °C, ±0.1% ±25ppm R <sub>OSC</sub> | -1.1  |     | 1.4  |      |
|                             |  | SETUSEFCL=1, -40 °C ≤ T <sub>a</sub> ≤ 125 °C, ±0.1% ±25ppm R <sub>OSC</sub> | -1.1  |     | 1.7  |      |
| f <sub>SYSOSC</sub>         | SYSOSC frequency accuracy when frequency correction loop (FCL) is enabled when the internal ROSC resistor is used, 32MHz <sup>(4) (5) (6)</sup>                                    | SETUSEFCL=1, T <sub>a</sub> = 25 °C  | -1.2  |     | 1.3  | %    |
|                             |  | SETUSEFCL=1, -40 °C ≤ T <sub>a</sub> ≤ 125 °C                                | -2.1  |     | 1.6  |      |
| f <sub>SYSOSC</sub>         | SYSOSC frequency accuracy when frequency correction loop (FCL) is enabled when the internal ROSC resistor is used, 4MHz <sup>(4) (5) (6)</sup>                                     | SETUSEFCL=1, T <sub>a</sub> = 25 °C  | -1.2  |     | 1.7  | %    |
|                             |  | SETUSEFCL=1, -40 °C ≤ T <sub>a</sub> ≤ 125 °C                                | -2.3  |     | 1.8  |      |
| f <sub>SYSOSC</sub>         | SYSOSC accuracy when frequency correction loop (FCL) is disabled, 32MHz <sup>(5) (6)</sup>   | SETUSEFCL=0, SYSOSCCFG.FREQ=00, -40 °C ≤ T <sub>a</sub> ≤ 125 °C             | -2.6  |     | 1.8  | %    |
| f <sub>SYSOSC</sub>         | SYSOSC accuracy when frequency correction loop (FCL) is disabled, for factory trimmed frequencies, 4MHz <sup>(5) (6)</sup>   | SETUSEFCL=0, SYSOSCCFG.FREQ=01, -40 °C ≤ T <sub>a</sub> ≤ 125 °C             | -2.8  |     | 2.1  | %    |
| R <sub>OSC</sub>            | External resistor put between ROSC pin and VSS <sup>(1)</sup>  | SETUSEFCL=1  |       | 100 |      | kΩ   |
| t <sub>settle, SYSOSC</sub> | Settling time to target accuracy <sup>(3)</sup>  | SETUSEFCL=1, ±0.1% 25ppm R <sub>OSC</sub> <sup>(1)</sup>                     |       |     | 30   | us   |

over operating free-air temperature range (unless otherwise noted)

| PARAMETER                   |  | TEST CONDITIONS  | MIN | TYP | MAX | UNIT |
|-----------------------------|--|--|-----|-----|-----|------|
| f <sub>settle, SYSOSC</sub> | f <sub>SYSOSC</sub> additional undershoot accuracy during t <sub>settle</sub> <sup>(3)</sup> | SETUSEFCL=1, ±0.1% 25ppm R <sub>OSC</sub> <sup>(1)</sup> | -16 |     |     | %    |

- (1) The SYSOSC frequency correction loop (FCL) enables high SYSOSC accuracy via an external reference resistor (R<sub>OSC</sub>) which must be connected between the device ROSC pin and VSS when using the FCL. Accuracies are shown for a ±0.1% ±25ppm R<sub>OSC</sub>; relaxed tolerance resistors may also be used (with reduced SYSOSC accuracy). See the SYSOSC section of the technical reference manual for details on computing SYSOSC accuracy for various R<sub>OSC</sub> accuracies. R<sub>OSC</sub> does not need to be populated if the FCL is not enabled.
- (2) Represents the device accuracy only. The tolerance and temperature drift of the ROSC resistor used must be combined with this spec to determine final accuracy. Performance for a ±0.1% ±25ppm R<sub>OSC</sub> is given as a reference point.
- (3) When SYSOSC is waking up (for example, when exiting a low power mode) and FCL is enabled, the SYSOSC will initially undershoot the target frequency f<sub>SYSOSC</sub> by an additional error of up to f<sub>settle, SYSOSC</sub> for the time t<sub>settle, SYSOSC</sub>, after which the target accuracy is achieved.
- (4) The SYSOSC frequency correction loop (FCL) enables high SYSOSC accuracy via an internal reference resistor when using the FCL. See the SYSOSC section of the technical reference manual for details on computing SYSOSC accuracy.
- (5) SYSOSC Accuracy is measured in the default power-up state, with MCLK = SYSOSC, the CPU is running a while(1) loop, and the SYSPLL is disabled.
- (6) SYSOSC is measured with the internal FCC counter using an external 1ms pulse as the measurement trigger.

### 7.9.2 Low Frequency Oscillator (LFOSC)

over operating free-air temperature range (unless otherwise noted)

| PARAMETER                 |                           | TEST CONDITIONS                  | MIN | TYP   | MAX | UNIT |
|---------------------------|---------------------------|----------------------------------|-----|-------|-----|------|
| f <sub>LFOSC</sub>        | LFOSC frequency           |                                  |     | 32768 |     | Hz   |
|                           | LFOSC accuracy            | -40 °C ≤ T <sub>a</sub> ≤ 125 °C | -5  |       | 5   | %    |
|                           |                           | -40 °C ≤ T <sub>a</sub> ≤ 85 °C  | -3  |       | 3   | %    |
| I <sub>LFOSC</sub>        | LFOSC current consumption |                                  |     | 300   |     | nA   |
| t <sub>start, LFOSC</sub> | LFOSC start-up time       |                                  |     | 1     |     | ms   |

### 7.9.3 System Phase Lock Loop (SYSPLL)

over operating free-air temperature range (unless otherwise noted)

| PARAMETER                  |   | TEST CONDITIONS  | MIN | TYP | MAX | UNIT |
|----------------------------|---|--|-----|-----|-----|------|
| f <sub>SYSPLLREF</sub>     | SYSPLL reference frequency range <sup>(2)</sup> |  | 4   |     | 48  | MHz  |
| f <sub>VCO</sub>           | VCO output frequency                            |  | 80  |     | 400 | MHz  |
| f <sub>SYSPLL</sub>        | SYSPLL output frequency range <sup>(1)</sup>    | SYSPLLCLK0, SYSPLLCLK1   | 2.5 |     | 200 | MHz  |
|                            |   | SYSPLLCLK2X  | 10  |     | 400 |      |
| DC <sub>PLL</sub>          | SYSPLL output duty cycle                        | f <sub>SYSPLLREF</sub> =32MHz, f <sub>VCO</sub> =160MHz                                  | 45  |     | 55  | %    |
| Jitter <sub>SYSPLL</sub>   | SYSPLL RMS cycle-to-cycle jitter <sup>(3)</sup> | f <sub>SYSPLLREF</sub> =32MHz, f <sub>VCO</sub> =160MHz                                  |     | 60  |     | ps   |
|                            | SYSPLL RMS period jitter <sup>(3)</sup>         | f <sub>SYSPLLREF</sub> =32MHz, f <sub>VCO</sub> =160MHz                                  |     | 45  |     |      |
| I <sub>SYSPLL</sub>        | SYSPLL current consumption                      | f <sub>SYSPLLREF</sub> =32MHz, f <sub>VCO</sub> =160MHz                                  |     | 322 |     | uA   |
| t <sub>start, SYSPLL</sub> | SYSPLL start-up time                            | f <sub>SYSPLLREF</sub> =32MHz, PDIV=3, QDIV=39, f <sub>VCO</sub> =160MHz, ±0.5% accuracy |     | 14  | 24  | us   |

- (1) The SYSPLL may support higher output frequencies than the device clock system supports. Ensure that the device maximum frequency specifications are not violated when configuring the SYSPLL output frequencies.
- (2) Please refer to SYSPLL tuning parameters in Table 2-6 inside the [Technical Reference manual](#).
- (3) PDIV=2 (8MHz loop frequency) is recommended for optimal performance

### 7.9.4 Low Frequency Crystal/Clock

over operating free-air temperature range (unless otherwise noted)

| PARAMETER                                      |                | TEST CONDITIONS | MIN | TYP   | MAX | UNIT |
|--|----------------|-----------------|-----|-------|-----|------|
| <b>Low frequency crystal oscillator (LFXT)</b> |                |                 |     |       |     |      |
| f <sub>LFXT</sub>                              | LFXT frequency |                 |     | 32768 |     | Hz   |

over operating free-air temperature range (unless otherwise noted)

| PARAMETER   |  | TEST CONDITIONS      | MIN   | TYP   | MAX   | UNIT |
|---|--|----------------------|-------|-------|-------|------|
| DC <sub>LFXT</sub>                                  | LFXT duty cycle                                      |                      | 30    |       | 70    | %    |
| OA <sub>LFXT</sub>                                  | LFXT crystal oscillation allowance                   |                      |       | 419   |       | kΩ   |
| C <sub>L, eff</sub>                                 | Integrated effective load capacitance <sup>(1)</sup> |                      |       | 1     |       | pF   |
| t <sub>start, LFXT</sub>                            | LFXT start-up time                                   |                      |       | 1000  |       | ms   |
| I <sub>LFXT</sub>                                   | LFXT current consumption                             | XT1DRIVE=0, LOWCAP=1 |       | 200   |       | nA   |
| <b>Low frequency digital clock input (LFCLK_IN)</b> |  |                      |       |       |       |      |
| f <sub>LFIN</sub>                                   | LFCLK_IN frequency <sup>(2)</sup>                    | SETUSEEXLF=1         | 29491 | 32768 | 36045 | Hz   |
| DC <sub>LFIN</sub>                                  | LFCLK_IN duty cycle <sup>(2)</sup>                   | SETUSEEXLF=1         | 40    |       | 60    | %    |
| <b>LFCLK Monitor</b>                                |  |                      |       |       |       |      |
| f <sub>FAULTLF</sub>                                | LFCLK monitor fault frequency <sup>(3)</sup>         | MONITOR=1            | 2800  | 4200  | 8400  | Hz   |

- (1) This includes parasitic bond and package capacitance ( $\approx 2\text{pF}$  per pin), calculated as  $C_{\text{LFXIN}} \times C_{\text{LFXOUT}} / (C_{\text{LFXIN}} + C_{\text{LFXOUT}})$ , where  $C_{\text{LFXIN}}$  and  $C_{\text{LFXOUT}}$  are the total capacitance at LFXIN and LFXOUT, respectively.
- (2) The digital clock input (LFCLK\_IN) accepts a logic level square wave clock.
- (3) The LFCLK monitor may be used to monitor the LFXT or LFCLK\_IN. It will always fault below the MIN fault frequency, and will never fault above the MAX fault frequency.

### 7.9.5 High Frequency Crystal/Clock

over operating free-air temperature range (unless otherwise noted)

| PARAMETER  |  | TEST CONDITIONS   | MIN   | TYP | MAX | UNIT |
|--|--|---|-------|-----|-----|------|
| <b>High frequency crystal oscillator (HFXT)</b>      |  |   |       |     |     |      |
| f <sub>HFXT</sub>                                    | HFXT frequency                                       | HFXTRSEL=00   | 4     |     | 8   | MHz  |
|  |  | HFXTRSEL=01   | 8.01  |     | 16  |      |
|  |  | HFXTRSEL=10   | 16.01 |     | 32  |      |
|  |  | HFXTRSEL=11   | 32.01 |     | 48  |      |
| DC <sub>HFXT</sub>                                   | HFXT duty cycle                                      | HFXTRSEL=00   | 40    |     | 65  | %    |
|  |  | HFXTRSEL=01   | 40    |     | 60  |      |
|  |  | HFXTRSEL=10   | 40    |     | 60  |      |
|  |  | HFXTRSEL=11   | 40    |     | 60  |      |
| OA <sub>HFXT</sub>                                   | HFXT crystal oscillation allowance                   | HFXTRSEL=00 (4 to 8MHz range)   |       | 2   |     | kΩ   |
| C <sub>L, eff</sub>                                  | Integrated effective load capacitance <sup>(1)</sup> |   |       | 1   |     | pF   |
| t <sub>start, HFXT</sub>                             | HFXT start-up time <sup>(2)</sup>                    | HFXTRSEL=11, 32MHz crystal  |       | 0.5 |     | ms   |
| I <sub>HFXT</sub>                                    | HFXT current consumption <sup>(2)</sup>              | f <sub>HFXT</sub> =4MHz, R <sub>m</sub> =300Ω, C <sub>L</sub> =12pF   |       | 100 |     | uA   |
|  |  | f <sub>HFXT</sub> =48MHz, R <sub>m</sub> =30Ω, C <sub>L</sub> =12pF, C <sub>m</sub> =6.26fF, L <sub>m</sub> =1.76mH |       | 600 |     |      |
| <b>High frequency digital clock input (HFCLK_IN)</b> |  |   |       |     |     |      |
| f <sub>HFIN</sub>                                    | HFCLK_IN frequency <sup>(3)</sup>                    | USEEXTHFCLK=1   | 4     |     | 48  | MHz  |
| DC <sub>HFIN</sub>                                   | HFCLK_IN duty cycle <sup>(3)</sup>                   | USEEXTHFCLK=1   | 40    |     | 60  | %    |

- (1) This includes parasitic bond and package capacitance ( $\approx 2\text{pF}$  per pin), calculated as  $C_{\text{HFXIN}} \times C_{\text{HFXOUT}} / (C_{\text{HFXIN}} + C_{\text{HFXOUT}})$ , where  $C_{\text{HFXIN}}$  and  $C_{\text{HFXOUT}}$  are the total capacitance at HFXIN and HFXOUT, respectively.
- (2) The HFXT startup time (t<sub>start, HFXT</sub>) is measured from the time the HFXT is enabled until stable oscillation for a typical crystal. Start-up time is dependent upon crystal frequency and crystal specifications. Refer to the HFXT section of the [MSPM0 G-Series 80-MHz Microcontrollers Technical Reference Manual](#). Current consumption increases with higher RSEL and start up time is decreases with higher RSEL.
- (3) The digital clock input (HFCLK\_IN) accepts a logic level square wave clock.



## 7.10 Digital IO

### 7.10.1 Electrical Characteristics

over recommended ranges of supply voltage and operating free-air temperature (unless otherwise noted)

| PARAMETER        |   | TEST CONDITIONS             |  | MIN   | TYP     | MAX                | UNIT |  |
|------------------|---|-----------------------------|--|---|---------|--------------------|------|--|
| V <sub>IH</sub>  | High level input voltage                                | ODIO <sup>(1)</sup>         | VDD ≥ 1.62V  | 0.7*VDD   |         | 5.5                | V    |  |
|                  |   |                             | VDD ≥ 2.7V   | 2   |         | 5.5                | V    |  |
|                  |   | All I/O except ODIO & Reset | VDD ≥ 1.62V  | 0.7*VDD   |         | VDD+0.3            | V    |  |
| V <sub>IL</sub>  | Low level input voltage                                 | ODIO                        | VDD ≥ 1.62V  | -0.3  |         | 0.3*VDD            | V    |  |
|                  |   |                             | VDD ≥ 2.7V   | -0.3  |         | 0.8                | V    |  |
|                  |   | All I/O except ODIO & Reset | VDD ≥ 1.62V  | -0.3  |         | 0.3*VDD            | V    |  |
| V <sub>HYS</sub> | Hysteresis  | ODIO                        |  | 0.05*VDD  |         |                    | V    |  |
|                  |   | All I/O except ODIO         |  | 0.1*VDD   |         |                    | V    |  |
| I <sub>Ikg</sub> | High-Z leakage current (All packages except PZ, PN, PM) | SDIO <sup>(2) (3)</sup>     | 1.62V ≤ VDD ≤ 3.6V, -40 °C ≤ T <sub>a</sub> ≤ 125 °C   |   |         | 50 <sup>(4)</sup>  | nA   |  |
|                  | High-Z leakage current (PZ, PN, PM package)             | SDIO <sup>(2) (3)</sup>     | 1.62V ≤ VDD ≤ 3.6V, -40 °C ≤ T <sub>a</sub> ≤ 25 °C  |   |         | 70 <sup>(4)</sup>  | nA   |  |
|                  |   |                             | 1.62V ≤ VDD ≤ 3.6V, -40 °C ≤ T <sub>a</sub> ≤ 125 °C   |   |         | 400 <sup>(4)</sup> | nA   |  |
| R <sub>PU</sub>  | Pull up resistance                                      | All I/O except ODIO         | VIN = VSS  |   | 40      |                    | kΩ   |  |
| R <sub>PD</sub>  | Pull down resistance                                    |                             | VIN = VDD  |   | 40      |                    | kΩ   |  |
| C <sub>I</sub>   | Input capacitance                                       |                             | VDD = 3.3V   |   | 5       |                    | pF   |  |
| V <sub>OH</sub>  | High level output voltage                               | SDIO                        | VDD ≥ 2.7V,  I <sub>IO</sub>   <sub>max</sub> = 6mA<br>VDD ≥ 1.71V,  I <sub>IO</sub>   <sub>max</sub> = 2mA<br>VDD ≥ 1.62V,  I <sub>IO</sub>   <sub>max</sub> = 1.5mA<br>-40 °C ≤ T <sub>a</sub> ≤ 25 °C                       | VDD-0.4   |         |                    | V    |  |
|                  |   |                             | VDD ≥ 2.7V,  I <sub>IO</sub>   <sub>max</sub> = 6mA<br>VDD ≥ 1.71V,  I <sub>IO</sub>   <sub>max</sub> = 2mA<br>VDD ≥ 1.62V,  I <sub>IO</sub>   <sub>max</sub> = 1.5mA<br>-40 °C ≤ T <sub>a</sub> ≤ 125 °C                      | VDD-0.45  |         |                    |      |  |
|                  |   | HSIO                        | VDD ≥ 2.7V, DRV=1,  I <sub>IO</sub>   <sub>max</sub> = 6mA<br>VDD ≥ 1.71V, DRV=1,  I <sub>IO</sub>   <sub>max</sub> = 3mA<br>VDD ≥ 1.62V, DRV=1,  I <sub>IO</sub>   <sub>max</sub> = 2mA<br>-40 °C ≤ T <sub>a</sub> ≤ 25 °C    | VDD-0.4   |         |                    |      |  |
|                  |   |                             | VDD ≥ 2.7V, DRV=1,  I <sub>IO</sub>   <sub>max</sub> = 6mA<br>VDD ≥ 1.71V, DRV=1,  I <sub>IO</sub>   <sub>max</sub> = 3mA<br>VDD ≥ 1.62V, DRV=1,  I <sub>IO</sub>   <sub>max</sub> = 2mA<br>-40 °C ≤ T <sub>a</sub> ≤ 125 °C   | VDD-0.45  |         |                    |      |  |
|                  |   |                             | VDD ≥ 2.7V, DRV=0,  I <sub>IO</sub>   <sub>max</sub> = 4mA<br>VDD ≥ 1.71V, DRV=0,  I <sub>IO</sub>   <sub>max</sub> = 2mA<br>VDD ≥ 1.62V, DRV=0,  I <sub>IO</sub>   <sub>max</sub> = 1.5mA<br>-40 °C ≤ T <sub>a</sub> ≤ 25 °C  | VDD-0.4   |         |                    |      |  |
|                  |   |                             | VDD ≥ 2.7V, DRV=0,  I <sub>IO</sub>   <sub>max</sub> = 4mA<br>VDD ≥ 1.71V, DRV=0,  I <sub>IO</sub>   <sub>max</sub> = 2mA<br>VDD ≥ 1.62V, DRV=0,  I <sub>IO</sub>   <sub>max</sub> = 1.5mA<br>-40 °C ≤ T <sub>a</sub> ≤ 125 °C | VDD-0.45  |         |                    |      |  |
|                  |   |                             | HDIO   | VDD ≥ 2.7V, DRV=1 <sup>(5)</sup> ,  I <sub>IO</sub>   <sub>max</sub> = 20mA<br>VDD ≥ 1.71V, DRV=1 <sup>(5)</sup> ,  I <sub>IO</sub>   <sub>max</sub> = 10mA | VDD-0.4 |                    |      |  |
|                  |   |                             |  | VDD ≥ 2.7V, DRV=0,  I <sub>IO</sub>   <sub>max</sub> = 6mA<br>VDD ≥ 1.71V, DRV=0,  I <sub>IO</sub>   <sub>max</sub> = 2mA                                   | VDD-0.4 |                    |      |  |



over recommended ranges of supply voltage and operating free-air temperature (unless otherwise noted)

| PARAMETER       |                          | TEST CONDITIONS |   | MIN | TYP | MAX  | UNIT |
|-----------------|--------------------------|-----------------|---|-----|-----|------|------|
| V <sub>OL</sub> | Low level output voltage | SDIO            | VDD≥2.7V,  I <sub>IO</sub>   <sub>max</sub> =6mA<br>VDD≥1.71V,  I <sub>IO</sub>   <sub>max</sub> =2mA<br>VDD≥1.62V,  I <sub>IO</sub>   <sub>max</sub> =1.5mA<br>-40 °C ≤ T <sub>a</sub> ≤ 25 °C                       |     |     | 0.4  | V    |
|                 |                          |                 | VDD≥2.7V,  I <sub>IO</sub>   <sub>max</sub> =6mA<br>VDD≥1.71V,  I <sub>IO</sub>   <sub>max</sub> =2mA<br>VDD≥1.62V,  I <sub>IO</sub>   <sub>max</sub> =1.5mA<br>-40 °C ≤ T <sub>a</sub> ≤ 125 °C                      |     |     | 0.45 |      |
|                 |                          | HSIO            | VDD≥2.7V, DRV=1,  I <sub>IO</sub>   <sub>max</sub> =6mA<br>VDD≥1.71V, DRV=1,  I <sub>IO</sub>   <sub>max</sub> =3mA<br>VDD≥1.62V, DRV=1,  I <sub>IO</sub>   <sub>max</sub> =2mA<br>-40 °C ≤ T <sub>a</sub> ≤ 25 °C    |     |     | 0.4  |      |
|                 |                          |                 | VDD≥2.7V, DRV=1,  I <sub>IO</sub>   <sub>max</sub> =6mA<br>VDD≥1.71V, DRV=1,  I <sub>IO</sub>   <sub>max</sub> =3mA<br>VDD≥1.62V, DRV=1,  I <sub>IO</sub>   <sub>max</sub> =2mA<br>-40 °C ≤ T <sub>a</sub> ≤ 125 °C   |     |     | 0.45 |      |
|                 |                          |                 | VDD≥2.7V, DRV=0,  I <sub>IO</sub>   <sub>max</sub> =4mA<br>VDD≥1.71V, DRV=0,  I <sub>IO</sub>   <sub>max</sub> =2mA<br>VDD≥1.62V, DRV=0,  I <sub>IO</sub>   <sub>max</sub> =1.5mA<br>-40 °C ≤ T <sub>a</sub> ≤ 25 °C  |     |     | 0.4  |      |
|                 |                          |                 | VDD≥2.7V, DRV=0,  I <sub>IO</sub>   <sub>max</sub> =4mA<br>VDD≥1.71V, DRV=0,  I <sub>IO</sub>   <sub>max</sub> =2mA<br>VDD≥1.62V, DRV=0,  I <sub>IO</sub>   <sub>max</sub> =1.5mA<br>-40 °C ≤ T <sub>a</sub> ≤ 125 °C |     |     | 0.45 |      |
|                 |                          | HDIO            | VDD≥2.7V, DRV=1 <sup>(5)</sup> ,  I <sub>IO</sub>   <sub>max</sub> =20mA<br>VDD≥1.71V, DRV=1 <sup>(5)</sup> ,  I <sub>IO</sub>   <sub>max</sub> =10mA   |     |     | 0.4  |      |
|                 |                          |                 | VDD≥2.7V, DRV=0,  I <sub>IO</sub>   <sub>max</sub> =6mA<br>VDD≥1.71V, DRV=0,  I <sub>IO</sub>   <sub>max</sub> =2mA   |     |     | 0.4  |      |
|                 |                          | ODIO            | VDD≥2.7V, I <sub>OL</sub> <sub>max</sub> =8mA<br>VDD≥1.71V, I <sub>OL</sub> <sub>max</sub> =4mA<br>-40 °C ≤ T <sub>a</sub> ≤ 25 °C  |     |     | 0.4  |      |
|                 |                          |                 | VDD≥2.7V, I <sub>OL</sub> <sub>max</sub> =8mA<br>VDD≥1.71V, I <sub>OL</sub> <sub>max</sub> =4mA<br>-40 °C ≤ T <sub>a</sub> ≤ 125 °C   |     |     | 0.45 |      |

- (1) I/O Types: ODIO = 5V Tolerant Open-Drain , SDIO = Standard-Drive , HSIO = High-Speed, HDIO = High-Drive
- (2) The leakage current is measured with VSS or VDD applied to the corresponding pin(s), unless otherwise noted.
- (3) The leakage of the digital port pins is measured individually. The port pin is selected for input and the pullup/pulldown resistor is disabled.
- (4) This value is for SDIO not muxed with any analog inputs. If the SDIO is muxed with analog inputs then the leakage can be higher.
- (5) When operating a HDIO in DRV=1 high drive strength configuration, a series resistor is necessary to limit the signal slew rate

### 7.10.2 Switching Characteristics

over recommended ranges of supply voltage and operating free-air temperature (unless otherwise noted)

| PARAMETER                       |                                      | TEST CONDITIONS |   | MIN        | TYP | MAX  | UNIT |
|---------------------------------|--------------------------------------|-----------------|---|------------|-----|------|------|
| f <sub>max</sub>                | Port output frequency <sup>(1)</sup> | SDIO            | VDD ≥ 2.7V, CL= 20pF                            |            |     | 32   | MHz  |
|                                 |                                      |                 | VDD ≥ 1.71V, CL= 20pF                           |            |     | 16   |      |
|                                 |                                      | HSIO            | VDD ≥ 2.7V, DRV = 1, CL= 20pF                   |            |     | 40   |      |
|                                 |                                      |                 | VDD ≥ 2.7V, DRV = 0, CL= 20pF                   |            |     | 32   |      |
|                                 |                                      |                 | VDD ≥ 1.71V, DRV = 1, CL= 20pF                  |            |     | 24   |      |
|                                 |                                      |                 | VDD ≥ 1.71V, DRV = 0, CL= 20pF                  |            |     | 16   |      |
|                                 |                                      | HDIO            | VDD ≥ 2.7V, DRV = 1 <sup>(2)</sup> , CL= 20pF   |            |     | 20   |      |
|                                 |                                      |                 | VDD ≥ 2.7V, DRV = 0, CL= 20pF                   |            |     | 20   |      |
|                                 |                                      |                 | VDD ≥ 1.71V, DRV = 1 <sup>(2)</sup> , CL= 20pF  |            |     | 16   |      |
|                                 |                                      | ODIO            | VDD ≥ 1.71V, FM <sup>+</sup> , CL= 20pF - 100pF |            |     | 16   |      |
|                                 |                                      |                 |   | 1          |     |      |      |
| t <sub>r</sub> , t <sub>f</sub> | Output rise/fall time                | SDIO            | VDD ≥ 2.7V, CL= 20pF                            |            |     | 3.5  | ns   |
|                                 |                                      |                 | VDD ≥ 1.71V, CL= 20pF                           |            |     | 6.6  |      |
|                                 |                                      | HSIO            | VDD ≥ 2.7V, DRV = 1, CL= 20pF                   |            |     | 1.8  |      |
|                                 |                                      |                 | VDD ≥ 2.7V, DRV = 0, CL= 20pF                   |            |     | 5.9  |      |
|                                 |                                      |                 | VDD ≥ 1.71V, DRV = 1, CL= 20pF                  |            |     | 3.7  |      |
|                                 |                                      |                 | VDD ≥ 1.71V, DRV = 0, CL= 20pF                  |            |     | 12.6 |      |
|                                 |                                      | HDIO            | VDD ≥ 2.7V, DRV = 1, CL= 20pF                   |            |     | 1.7  |      |
|                                 |                                      |                 | VDD ≥ 2.7V, DRV = 0, CL= 20pF                   |            |     | 3.8  |      |
|                                 |                                      |                 | VDD ≥ 1.71V, DRV = 1, CL= 20pF                  |            |     | 3.1  |      |
|                                 |                                      |                 | VDD ≥ 1.71V, DRV = 0, CL= 20pF                  |            |     | 8.2  |      |
| t <sub>f</sub>                  | Output fall time                     | ODIO            | VDD ≥ 1.71V, FM <sup>+</sup> , CL= 20pF-100pF   | 20*VDD/5.5 |     | 120  | ns   |

(1) I/O Types: ODIO = 5V Tolerant Open-Drain , SDIO = Standard-Drive , HSIO = High-Speed , HDIO = High-Drive

(2) When operating a HDIO in DRV=1 high drive strength configuration, a series resistor is necessary to limit the signal slew rate

### 7.11 Analog Mux VBOOST

over operating free-air temperature range (unless otherwise noted)

| PARAMETER               |                      | TEST CONDITIONS                                    | MIN | TYP  | MAX | UNIT |
|-------------------------|----------------------|--|-----|------|-----|------|
| I <sub>VBST</sub>       | VBOOST current adder | MCLK/ULPCLK is LFCLK                               |     | 0.8  |     | uA   |
|                         |                      | MCLK/ULPCLK is not LFCLK, SYSOSC frequency is 4MHz |     | 10.6 |     |      |
| t <sub>START,VBST</sub> | VBOOST startup time  |  |     | 12   | 20  | us   |

### 7.12 ADC

#### 7.12.1 Electrical Characteristics

over recommended ranges of supply voltage and operating free-air temperature (unless otherwise noted), all TYP values are measured at 25°C and all accuracy parameters are measured using 12-bit resolution mode (unless otherwise noted)

| PARAMETER            |   | TEST CONDITIONS   | MIN | TYP  | MAX | UNIT |
|----------------------|---|---|-----|------|-----|------|
| V <sub>in(ADC)</sub> | Analog input voltage range <sup>(1)</sup> | Applies to all ADC analog input pins                        | 0   |      | VDD | V    |
| V <sub>R+</sub>      | Positive ADC reference voltage            | V <sub>R+</sub> sourced from VDD                            |     | VDD  |     | V    |
|                      |   | V <sub>R+</sub> sourced from external reference pin (VREF+) | 1.4 |      | VDD | V    |
|                      |   | V <sub>R+</sub> sourced from internal reference (VREF)      |     | VREF |     | V    |
| V <sub>R-</sub>      | Negative ADC reference voltage            |   | 0   |      |     | V    |

over recommended ranges of supply voltage and operating free-air temperature (unless otherwise noted), all TYP values are measured at 25°C and all accuracy parameters are measured using 12-bit resolution mode (unless otherwise noted)

| PARAMETER              |  | TEST CONDITIONS  | MIN  | TYP                 | MAX | UNIT |
|------------------------|--|--|------|---------------------|-----|------|
| F <sub>S</sub>         | ADC sampling frequency                             | RES = 0x0 (12-bit mode)  |      |                     | 4   | Msps |
|                        |  | RES = 0x1 (10-bit mode)  |      |                     | 4   |      |
|                        |  | RES = 0x2 (8-bit mode) , SCOMP = 2   |      |                     | 5.3 |      |
| I <sub>(ADC)</sub>     | Operating supply current into VDD terminal         | F <sub>S</sub> = 4MSPS, V <sub>R+</sub> = VDD  |      | 1.75 <sup>(2)</sup> |     | mA   |
| C <sub>S/H</sub>       | ADC sample-and-hold capacitance                    |  |      | 3.3                 |     | pF   |
| R <sub>in</sub>        | ADC input resistance                               |  |      | 0.5                 |     | kΩ   |
| ENOB                   | Effective number of bits                           | f <sub>in</sub> = 10kHz, External reference <sup>(3)</sup>   | 10.9 | 11.1                |     | bit  |
|                        |  | f <sub>in</sub> = 10kHz, External reference <sup>(3)</sup> , HW Averaging Enabled, 16 Samples and 2bit shift | 12.3 | 12.5                |     |      |
|                        |  | f <sub>in</sub> = 10kHz, Internal reference, V <sub>R+</sub> = VREF = 2.5V (VRSEL = 4h) <sup>(5)</sup>       | 9.9  | 10.8                |     |      |
|                        |  | f <sub>in</sub> = 10kHz, Internal reference, V <sub>R+</sub> = VREF = 2.5V (VRSEL = 2h)                      |      | 9.8                 |     |      |
| SNR                    | Signal-to-noise ratio                              | f <sub>in</sub> = 10kHz, External reference <sup>(3)</sup>   |      |                     | 68  | dB   |
|                        |  | f <sub>in</sub> = 10kHz, External reference <sup>(3)</sup> , HW Averaging Enabled, 16 Samples and 2bit shift |      |                     | 78  |      |
|                        |  | f <sub>in</sub> = 10kHz, Internal reference, V <sub>R+</sub> = VREF = 2.5V (VRSEL = 4h) <sup>(5)</sup>       |      |                     | 66  |      |
|                        |  | f <sub>in</sub> = 10kHz, Internal reference, V <sub>R+</sub> = VREF = 2.5V (VRSEL = 2h)                      |      |                     | 60  |      |
| PSRR <sub>DC</sub>     | Power supply rejection ratio, DC                   | External reference <sup>(3)</sup> , VDD = VDD <sub>(min)</sub> to VDD <sub>(max)</sub>                       |      |                     | 62  | dB   |
|                        |  | VDD = VDD <sub>(min)</sub> to VDD <sub>(max)</sub><br>Internal reference, V <sub>R+</sub> = VREF = 2.5V      |      |                     | 60  |      |
| PSRR <sub>AC</sub>     | Power supply rejection ratio, AC                   | External reference <sup>(3)</sup> , ΔVDD = 0.1 V at 1 kHz  |      |                     | 61  | dB   |
|                        |  | ΔVDD = 0.1 V at 1 kHz<br>Internal reference, V <sub>R+</sub> = VREF = 2.5V                                   |      |                     | 52  |      |
| T <sub>wakeup</sub>    | ADC Wakeup Time                                    | Assumes internal reference is active   |      |                     | 5   | us   |
| V <sub>SupplyMon</sub> | Supply Monitor voltage divider (VDD/3) accuracy    | ADC input channel: Supply Monitor <sup>(4) (6)</sup>   | -1.5 |                     | 1.5 | %    |
| I <sub>SupplyMon</sub> | Supply Monitor voltage divider current consumption | ADC input channel: Supply Monitor  |      | 10                  |     | uA   |

- (1) The analog input voltage range must be within the selected ADC reference voltage range V<sub>R+</sub> to V<sub>R-</sub> for valid conversion results.
- (2) The internal reference (VREF) supply current is not included in current consumption parameter I<sub>(ADC)</sub>.
- (3) All external reference specifications are measured with V<sub>R+</sub> = VREF+ = VDD = 3.3V and V<sub>R-</sub> = VREF- = VSS = 0V and external 1uF cap on VREF+ pin
- (4) Analog power supply monitor. Analog input on channel 15 is disconnected and is internally connected to the voltage divider which is VDD/3.
- (5) Please note that to achieve this ENOB using internal reference VREF, VRSEL bit in MEMCTL register needs to be set to 4h. This will set the REFN as VREF- and REFP as VREF+. In this configuration ,no external connections can be made on the VREF- and VREF+ pins. The REFN pin should be connected to device ground.
- (6) Characterized using external reference (VREFSEL = 1)

### 7.12.2 Switching Characteristics

over recommended ranges of supply voltage and operating free-air temperature (unless otherwise noted)

| PARAMETER                     |   | TEST CONDITIONS   | MIN  | TYP | MAX | UNIT          |
|-------------------------------|---|---|------|-----|-----|---------------|
| f <sub>ADCCLK</sub>           | ADC clock frequency                     |   | 4    |     | 48  | MHz           |
| t <sub>ADC trigger</sub>      | Software trigger minimum width          |   | 3    |     |     | ADCCLK cycles |
| t <sub>Sample</sub>           | Sampling time                           | 12-bit mode, R <sub>S</sub> = 50Ω, C <sub>pext</sub> = 10pF | 62.5 |     |     | ns            |
| t <sub>Sample_DAC</sub>       | Sampling time with DAC as input         |   | 0.5  |     |     | μs            |
| t <sub>Sample_SupplyMon</sub> | Sample time with Supply Monitor (VDD/3) |   | 5    |     |     | μs            |

### 7.12.3 Linearity Parameters

over recommended ranges of supply voltage and operating free-air temperature (unless otherwise noted), all TYP values are measured at 25°C and all linearity parameters are measured using 12-bit resolution mode (unless otherwise noted) <sup>(1)</sup>

| PARAMETER      | TEST CONDITIONS   | MIN   | TYP | MAX  | UNIT |     |
|----------------|---|---|-----|------|------|-----|
| E <sub>I</sub> | Integral linearity error (INL)                                    | External reference <sup>(2)</sup>                 |     | -2   | 2    | LSB |
| E <sub>D</sub> | Differential linearity error (DNL)<br>Guaranteed no missing codes | External reference <sup>(2)</sup>                 |     | -1   | 1    | LSB |
| E <sub>O</sub> | Offset error  | Internal or External reference <sup>(2) (3)</sup> |     | -3.5 | 3.5  | mV  |
| E <sub>G</sub> | Gain error  | External reference, VRSEL = 1h <sup>(2)</sup>     |     | -4   | 4    | LSB |

- (1) Total Unadjusted Error (TUE) can be calculated from E<sub>I</sub>, E<sub>O</sub>, and E<sub>G</sub> using the following formula:  $TUE = \sqrt{E_I^2 + |E_O|^2 + E_G^2}$   
Note: You must convert all of the errors into the same unit, usually LSB, for the above equation to be accurate
- (2) All external reference specifications are measured with V<sub>R+</sub> = VREF+ = VDD and V<sub>R-</sub> = VSS = 0V, external 1uF cap on VREF+ pin.
- (3) Please note that to achieve this offset error using internal reference VREF, VRSEL bit in MEMCTL register needs to be set to the external reference mode. This will set the REFN as VREF- and REFP as VREF+. In this configuration, no external connections can be made on the VREF- and VREF+ pins.

### 7.12.4 Typical Connection Diagram

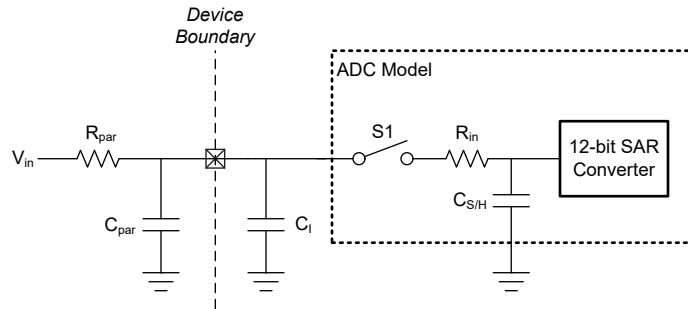


Figure 7-2. ADC Input Network

1. Refer to [Electrical Characteristics](#) for the values of R<sub>in</sub> and C<sub>S/H</sub>
2. Refer to [Digital IO Electrical Characteristics](#) for the value of C<sub>I</sub>
3. C<sub>par</sub> and R<sub>par</sub> represent the parasitic capacitance and resistance of the external ADC input circuitry

Use the following equations to solve for the minimum sampling time (T) required for an ADC conversion:

1.  $\tau = (R_{par} + R_{in}) * C_{S/H} + R_{par} * (C_{par} + C_I)$
2.  $K = \ln(2^n / \text{Settling error}) - \ln((C_{par} + C_I) / C_{S/H})$
3.  $T (\text{Min sampling time}) = K * \tau$

### 7.13 Temperature Sensor

over operating free-air temperature range (unless otherwise noted) <sup>(1)</sup>

| PARAMETER            | TEST CONDITIONS                                 | MIN  | TYP | MAX   | UNIT |       |       |
|----------------------|---|--|-----|-------|------|-------|-------|
| TS <sub>TRIM</sub>   | Factory trim temperature <sup>(2)</sup>         | ADC and VREF configuration: RES=0 (12-bit mode), VRSEL=2h (VREF=1.4V), cap=1uF on VREF+, ADC t <sub>Sample</sub> =12.5μs |     | 27    | 30   | 33    | °C    |
| TS <sub>C</sub>      | Temperature coefficient                         | -40 °C ≤ T <sub>J</sub> ≤ 130 °C   |     | -2.05 | -1.9 | -1.75 | mV/°C |
| t <sub>SET, TS</sub> | Temperature sensor settling time <sup>(3)</sup> | ADC and VREF configuration: RES=0 (12-bit mode), VRSEL= 2h (VREF=1.4V), ADC CHANNEL=11                                   |     |       |      | 12.5  | us    |

- (1) Effective absolute temperature accuracy may be computed by combining the relative temperature accuracy together with the trim accuracy, and accounting for any analog to digital conversion error.
- (2) Higher absolute accuracy may be achieved through user calibration. Please refer to temperature sensor chapter in detailed description section.
- (3) This is the minimum required ADC sampling time when measuring the temperature sensor.

## 7.14 VREF

### 7.14.1 Voltage Characteristics

over recommended ranges of supply voltage and operating free-air temperature (unless otherwise noted)

| PARAMETER          |  | TEST CONDITIONS | MIN  | TYP | MAX  | UNIT |
|--------------------|--|-----------------|------|-----|------|------|
| VDD <sub>min</sub> | Minimum supply voltage needed for VREF operation | BUFCONFIG = 1   | 1.62 |     |      | V    |
|                    |  | BUFCONFIG = 0   | 2.7  |     |      |      |
| VREF               | Voltage reference output voltage                 | BUFCONFIG = 1   | 1.38 | 1.4 | 1.42 | V    |
|                    |  | BUFCONFIG = 0   | 2.46 | 2.5 | 2.54 |      |

### 7.14.2 Electrical Characteristics

over recommended ranges of supply voltage and operating free-air temperature (unless otherwise noted)

| PARAMETER            |   | TEST CONDITIONS  | MIN   | TYP | MAX  | UNIT   |
|----------------------|---|--|-------|-----|------|--------|
| I <sub>VREF</sub>    | VREF operating supply current   | BUFCONFIG = {0, 1}, No load                              |       | 189 | 330  | μA     |
| I <sub>Drive</sub>   | VREF output drive strength <sup>(1)</sup>                                 | Drive strength supported on VREF+ device pin             |       |     | 100  | μA     |
| I <sub>SC</sub>      | VREF short circuit current  |  |       |     | 100  | mA     |
| TC <sub>VREF</sub>   | Temperature coefficient of VREF (Bandgap+VRBUF) <sup>(2)</sup>            | BUFCONFIG = {1}  |       |     | 80   | ppm/°C |
| TC <sub>VREF</sub>   | Temperature coefficient of VREF (Bandgap+VRBUF) <sup>(2)</sup>            | BUFCONFIG = {0}  |       |     | 80   | ppm/°C |
| TC <sub>drift</sub>  | Long term VREF drift  | Time = 1000 hours, BUFCONFIG = {0, 1}, T = 25°C          |       |     | 300  | ppm    |
| PSRR <sub>DC</sub>   | VREF Power supply rejection ratio, DC                                     | VDD = 1.7 V to VDDmax, BUFCONFIG = 1                     | 60    | 70  |      | dB     |
|                      |   | VDD = 2.7 V to VDDmax, BUFCONFIG = 0                     | 50    | 60  |      |        |
| V <sub>noise</sub>   | RMS noise at VREF output (0.1 Hz to 100 MHz)                              | BUFCONFIG = 1  |       | 500 |      | μVrms  |
|                      |   | BUFCONFIG = 0  |       | 900 |      |        |
| C <sub>VREF</sub>    | Recommended VREF decoupling capacitor on VREF+ pin <sup>(3) (4) (5)</sup> |  | 0.7   | 1   | 1.15 | μF     |
| T <sub>startup</sub> | VREF startup time   | BUFCONFIG = {0, 1}, VDD ≥ 2.7 V, C <sub>VREF</sub> = 1μF |       |     | 200  | μS     |
| T <sub>refresh</sub> | VREF External capacitor refresh time                                      | BUFCONFIG = {0, 1}, VDD ≥ 2.7 V, C <sub>VREF</sub> = 1μF | 31.25 |     |      |        |

- (1) The specified MAX output drive strength is supported regardless of which peripherals are being used in the device.
- (2) The temperature coefficient of the VREF output is the sum of TC<sub>VRBUF</sub> and the temperature coefficient of the internal bandgap reference.
- (3) Decoupling capacitor (C<sub>VREF</sub>) is required when using the internal voltage reference VREF and should be connected from the VREF+ pin to VREF-/GND. When using the VREF+/- pins to supply an external reference, a decoupling capacitor value should be selected based on the external reference source.
- (4) A ceramic capacitor with package size of 0805 or smaller is preferred. Up to ±20% tolerance is acceptable
- (5) The VREF module should only be enabled when C<sub>VREF</sub> is connected and should not be enabled otherwise.

## 7.15 Comparator (COMP)

### 7.15.1 Comparator Electrical Characteristics

over recommended ranges of supply voltage and operating free-air temperature (unless otherwise noted)

| PARAMETER                                    |                         | TEST CONDITIONS | MIN | TYP | MAX | UNIT |
|--|-------------------------|-----------------|-----|-----|-----|------|
| <b>Comparator Electrical Characteristics</b> |                         |                 |     |     |     |      |
| V <sub>cm</sub>                              | Common mode input range |                 | 0   |     | VDD | V    |
| V <sub>offset</sub>                          | Input offset voltage    |                 | -20 |     | 20  | mV   |
| V <sub>hys</sub>                             | DC input hysteresis     | HYST=00h        |     | 0.4 |     | mV   |
|  |                         | HYST=01h        |     | 10  |     |      |
|  |                         | HYST=02h        |     | 20  |     |      |
|  |                         | HYST=03h        |     | 30  |     |      |

over recommended ranges of supply voltage and operating free-air temperature (unless otherwise noted)

| PARAMETER                                   |   | TEST CONDITIONS   | MIN | TYP                           | MAX | UNIT     |
|---|---|---|-----|-------------------------------|-----|----------|
| t <sub>PD_ls</sub>                          | Propagation delay, response time                  | Output Filter off, Overdrive = 100 mV, High Speed Mode  |     | 32                            | 50  | ns       |
|   |   | Output Filter off, Overdrive = 100 mV, Low Power Mode   |     | 1.2                           | 4   | μs       |
| t <sub>en</sub>                             | Comparator enable time                            | Startup time to reach propagation delay specification, High Speed Mode (comparator only)  |     |                               | 5   | μs       |
|   |   | Startup time to reach propagation delay specification, Low Power Mode (comparator only)   |     |                               | 10  | μs       |
| I <sub>comp</sub>                           | Comparator current consumption.                   | V <sub>cm</sub> = VDD/2, 100mV overdrive, DAC output as a voltage reference, VDD is reference for DAC, High Speed Mode  |     | 130                           | 200 | μA       |
|   |   | V <sub>cm</sub> = VDD/2, 100mV overdrive, DAC output as a voltage reference, VDD is reference for DAC, Low Power Mode   |     | 0.85                          | 2.7 | μA       |
|   |   | V <sub>cm</sub> = VDD/2, 100mV overdrive, comparator only, High Speed Mode  |     | 120                           | 180 | μA       |
|   |   | V <sub>cm</sub> = VDD/2, 100mV overdrive, comparator only, Low Power Mode   |     | 0.7                           | 2.1 | μA       |
| I <sub>comp</sub>                           | Comparator +VREF current consumption in low power | V <sub>cm</sub> = VDD/2, 100mV overdrive, DAC output as a voltage reference, Internal VREF is reference for DAC, Low Power Mode. VREF registers SHCYCLE=0xC0, HCYCLE=0xC0, SHMODE=1 |     | 3.5                           |     | uA       |
| <b>8-bit DAC Electrical Characteristics</b> |   |   |     |                               |     |          |
| V <sub>dac</sub>                            | DAC output range                                  |   | 0   |                               | VDD | V        |
| V <sub>dac-code</sub>                       | 8-bit DAC output voltage for a given code         | V <sub>IN</sub> = reference voltage into 8-bit DAC, code n = 0 to 255   |     | V <sub>IN</sub> × (n+1) / 256 |     | V        |
| INL   | Integral nonlinearity of 8-bit DAC                |   | -1  |                               | 1   | LSB      |
| DNL   | Differential nonlinearity of 8-bit DAC            |   | -1  |                               | 1   | LSB      |
| Gain error                                  | Gain error of 8-bit DAC                           | Reference voltage = VDD   | -2  |                               | 2   | % of FSR |
| Offset error                                | Offset error of 8-bit DAC                         |   | -5  |                               | 5   | mV       |
| t <sub>dac_settle</sub>                     | 8-bit DAC settling time in static mode            | DACCODE0 = 0 → 255, DAC output accurate to 1 LSB  |     | 1.5                           |     | μs       |

## 7.16 DAC

### 7.16.1 DAC\_Supply Specifications

over recommended ranges of supply voltage and operating free-air temperature (unless otherwise noted)

| PARAMETER        |                                  | TEST CONDITIONS                      | MIN | TYP | MAX | UNIT |
|------------------|----------------------------------|--------------------------------------|-----|-----|-----|------|
| V <sub>REF</sub> | Reference voltage                | VDD, External, Internal(1.4V, 2.5V)  | 1.4 |     | VDD | V    |
| I <sub>DAC</sub> | DAC current consumption from VDD | VREF= VDD, No load, DAC code = 0x800 |     | 400 |     | μA   |

### 7.16.2 DAC Output Specifications

over recommended ranges of supply voltage and operating free-air temperature (unless otherwise noted)

| PARAMETER             |                      | TEST CONDITIONS  | MIN      | TYP      | MAX  | UNIT |
|-----------------------|----------------------|--|----------|----------|------|------|
| V <sub>O</sub>        | Output voltage range | No load, Vref = VDD, DATA = 0x0  |          |          | 20   | mV   |
|                       |                      | No load, Vref = VDD, DATA = 0xFFFF                                       | VDD-0.05 | VDD-0.01 | VDD  | V    |
|                       |                      | R <sub>load</sub> = 3.3kΩ, Vref = VDD, DATA = 0x0                        |          |          | 0.13 | V    |
|                       |                      | R <sub>load</sub> = 3.3kΩ, Vref = VDD, DATA = 0xFFFF                     | VDD-0.13 | VDD-0.1  | VDD  | V    |
| C <sub>L(DAC)</sub>   | Load capacitance     |  |          | 100      | pF   |      |
| I <sub>L(DAC)</sub>   | Load current         |  | -1       |          | 1    | mA   |
| R <sub>OUT(DAC)</sub> | Output resistance    | R <sub>load</sub> = 3.3kΩ, Vref = VDD, V <sub>O</sub> = 0.3V to VDD-0.3V |          | 1.2      | 10   | Ω    |

### 7.16.3 DAC Dynamic Specifications

over recommended ranges of supply voltage and operating free-air temperature (unless otherwise noted)

| PARAMETER |                                  | TEST CONDITIONS   | MIN | TYP  | MAX | UNIT |
|-----------|----------------------------------|---|-----|------|-----|------|
| SR        | Slew rate                        | DATA = 0x80 → 0xF7F → 0x80, Vref = external reference                         |     | 5.5  |     | V/μs |
| GE        | Glitch energy                    | DATA = 0x800 → 0x7FF → 0x800, Vref = external reference                       |     | 1.2  |     | nV-s |
| PSRR_DC   | Power supply rejection ratio, DC | ΔVDD = 100 mV, DATA = 0xFFF, Vref = external reference                        |     | 79.5 |     | dB   |
| PSRR_AC   | Power supply rejection ratio, AC | ΔVDD = 100mV at 100kHz, DATA = 0xFFF, Vref = external reference               |     | 25.7 |     | dB   |
| SNR       | Signal-to-noise ratio            | Vref = external reference, 4kHz input with 1Msps sampling rate <sup>(1)</sup> |     | 80.9 |     | dB   |
| THD       | Total harmonic distortion        | Vref = external reference, 4kHz input with 1Msps sampling rate <sup>(1)</sup> |     | 71.5 |     | dB   |
| SINAD     | Signal-to-noise and distortion   | Vref = external reference, 4kHz input with 1Msps sampling rate <sup>(1)</sup> |     | 71.1 |     | dB   |
| ENOB      | Effective number of bits         | Vref = external reference, 4kHz input with 1Msps sampling rate <sup>(1)</sup> |     | 11.5 |     | bits |

(1) A low pass filter with 300 Hz to 4 kHz pass band connected at DAC output pin.

### 7.16.4 DAC Linearity Specifications

over recommended ranges of supply voltage and operating free-air temperature (unless otherwise noted)

| PARAMETER        |                             | TEST CONDITIONS  | MIN | TYP | MAX | UNIT |
|------------------|-----------------------------|--|-----|-----|-----|------|
| Resolution       |                             |  |     | 12  |     | bits |
| DNL              | Differential nonlinearity   | Vref = internal or external or VDD reference <sup>(1)</sup>                      | -1  |     | 1   | LSB  |
| INL              | Integral nonlinearity       | Vref = internal or external or VDD reference <sup>(1)</sup>                      | -4  |     | 4   | LSB  |
| E <sub>G</sub>   | Gain error                  | Vref = internal or external or VDD reference <sup>(1)</sup>                      | -2  | 0.5 | 2   | %FSR |
| E <sub>O</sub>   | Offset error                | Vref = internal or external reference or vdd, With calibration <sup>(1)</sup>    | -2  | 0.5 | 2   | mV   |
| E <sub>O</sub>   | Offset error                | Vref = internal or external or VDD reference, without calibration <sup>(1)</sup> | -20 |     | 20  | mV   |
| t <sub>cal</sub> | Time for offset calibration |  | 1.3 |     |     | ms   |

(1) DAC valid output range is 0.3 to VDD-0.3

### 7.16.5 DAC Timing Specifications

over recommended ranges of supply voltage and operating free-air temperature (unless otherwise noted)

| PARAMETER           |  | TEST CONDITIONS   | MIN | TYP | MAX | UNIT |
|---------------------|--|---|-----|-----|-----|------|
| t <sub>ON,12b</sub> | Turn on time from off state (VREF ready) | DATA = 0xFFF, Error < ±2 LSB, Vref = internal reference               |     | 4.5 | 6.9 | μs   |
| t <sub>S(FS)</sub>  | Full scale settling time                 | DATA = 0x1EC->0xFFF->0x1EC, Error < ±2 LSB, Vref = internal reference |     | 0.8 | 1   | μs   |

## 7.17 I2C

### 7.17.1 I2C Characteristics

over operating free-air temperature range (unless otherwise noted)

| PARAMETERS          |                                 | TEST CONDITIONS | Standard mode |     | Fast mode |     | Fast mode plus |     | UNIT |
|---------------------|---------------------------------|-----------------|---------------|-----|-----------|-----|----------------|-----|------|
|                     |                                 |                 | MIN           | MAX | MIN       | MAX | MIN            | MAX |      |
| f <sub>I2C</sub>    | I2C input clock frequency       |                 | 2             | 32  | 8         | 32  | 20             | 32  | MHz  |
| f <sub>SCL</sub>    | SCL clock frequency             |                 | 0.025         | 0.1 |           | 0.4 |                | 1   | MHz  |
| t <sub>HD,STA</sub> | Hold time (repeated) START      |                 | 4             |     | 0.6       |     | 0.26           |     | us   |
| t <sub>LOW</sub>    | LOW period of the SCL clock     |                 | 4.7           |     | 1.3       |     | 0.5            |     | us   |
| t <sub>HIGH</sub>   | High period of the SCL clock    |                 | 4             |     | 0.6       |     | 0.26           |     | us   |
| t <sub>SU,STA</sub> | Setup time for a repeated START |                 | 4.7           |     | 0.6       |     | 0.26           |     | us   |
| t <sub>HD,DAT</sub> | Data hold time                  |                 | 0             |     | 0         |     | 0              |     | ns   |
| t <sub>SU,DAT</sub> | Data setup time                 |                 | 250           |     | 100       |     | 50             |     | ns   |
| t <sub>SU,STO</sub> | Setup time for STOP             |                 | 4             |     | 0.6       |     | 0.26           |     | us   |

over operating free-air temperature range (unless otherwise noted)

| PARAMETERS   |  | TEST CONDITIONS | Standard mode |      | Fast mode |     | Fast mode plus |      | UNIT |
|--------------|--|-----------------|---------------|------|-----------|-----|----------------|------|------|
|              |  |                 | MIN           | MAX  | MIN       | MAX | MIN            | MAX  |      |
| $t_{BUF}$    | bus free time between a STOP and START condition |                 | 4.7           |      | 1.3       |     | 0.5            |      | us   |
| $t_{VD,DAT}$ | data valid time                                  |                 |               | 3.45 |           | 0.9 |                | 0.45 | us   |
| $t_{VD,ACK}$ | data valid acknowledge time                      |                 |               | 3.45 |           | 0.9 |                | 0.45 | us   |

### 7.17.2 I2C Filter

over operating free-air temperature range (unless otherwise noted)

| PARAMETERS |   | TEST CONDITIONS | MIN | TYP | MAX | UNIT |
|------------|---|-----------------|-----|-----|-----|------|
| $f_{SP}$   | Pulse duration of spikes suppressed by input filter | AGFSELx = 0     |     | 6   |     | ns   |
|            |   | AGFSELx = 1     |     | 14  | 35  |      |
|            |   | AGFSELx = 2     |     | 22  | 60  |      |
|            |   | AGFSELx = 3     |     | 35  | 90  |      |

### 7.17.3 I<sup>2</sup>C Timing Diagram

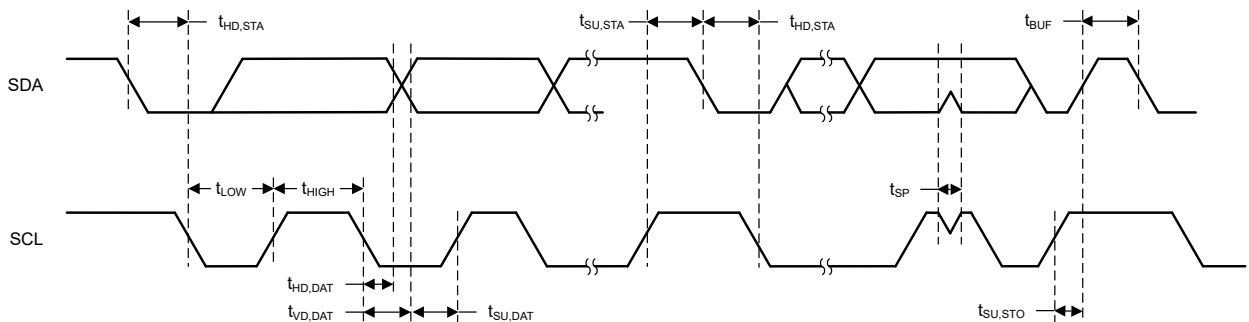


Figure 7-3. I2C Timing Diagram

## 7.18 SPI

### 7.18.1 SPI

over operating free-air temperature range (unless otherwise noted)

| PARAMETERS        |                       | TEST CONDITIONS   | MIN               | TYP           | MAX               | UNIT |
|-------------------|-----------------------|---|-------------------|---------------|-------------------|------|
| <b>SPI</b>        |                       |   |                   |               |                   |      |
| $f_{SPI}$         | SPI clock frequency   | Clock max speed $\geq$ 32MHz<br>1.62 < VDD < 3.6V<br>Peripheral or Controller mode                    |                   |               | 16 <sup>(4)</sup> | MHz  |
|                   |                       | Clock max speed $\geq$ 48MHz<br>1.62 < VDD < 2.7V<br>Peripheral or Controller mode with High speed IO |                   |               | 24 <sup>(4)</sup> |      |
|                   |                       | Clock max speed $\geq$ 64MHz<br>2.7 < VDD < 3.6V<br>Peripheral or Controller mode with High speed IO  |                   |               | 32 <sup>(4)</sup> |      |
| $DC_{SCK}$        | SCK Duty Cycle        |   | 40                | 50            | 60                | %    |
| <b>Controller</b> |                       |   |                   |               |                   |      |
| $t_{SCLK\_H/L}$   | SCLK High or Low time |   | $(t_{SPI}/2) - 1$ | $t_{SPI} / 2$ | $(t_{SPI}/2) + 1$ | ns   |

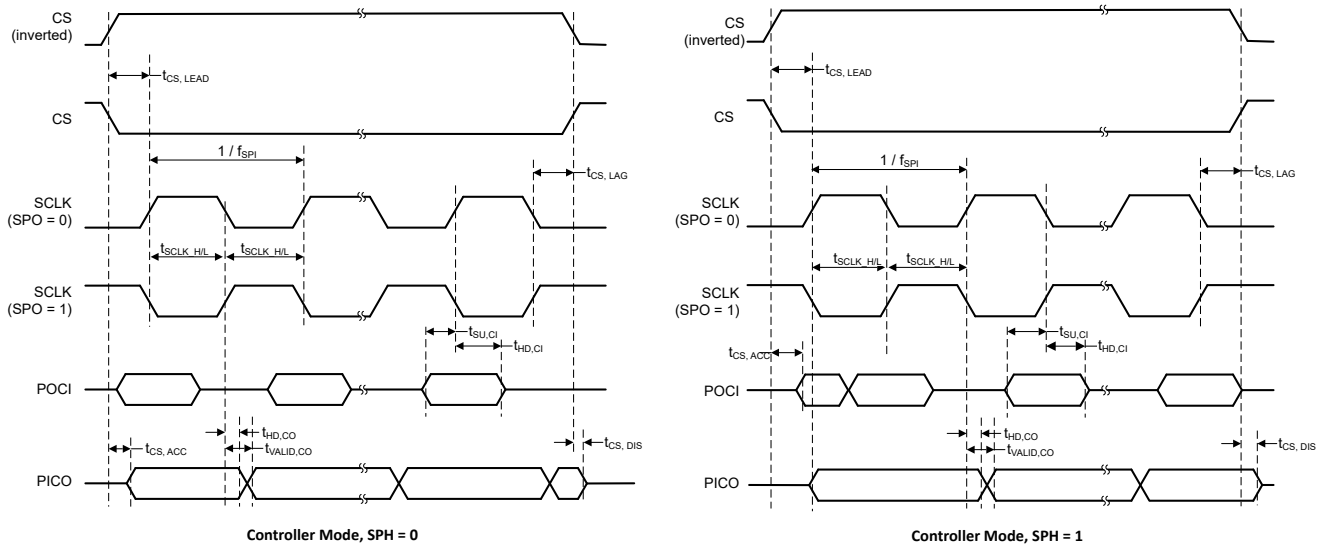


over operating free-air temperature range (unless otherwise noted)

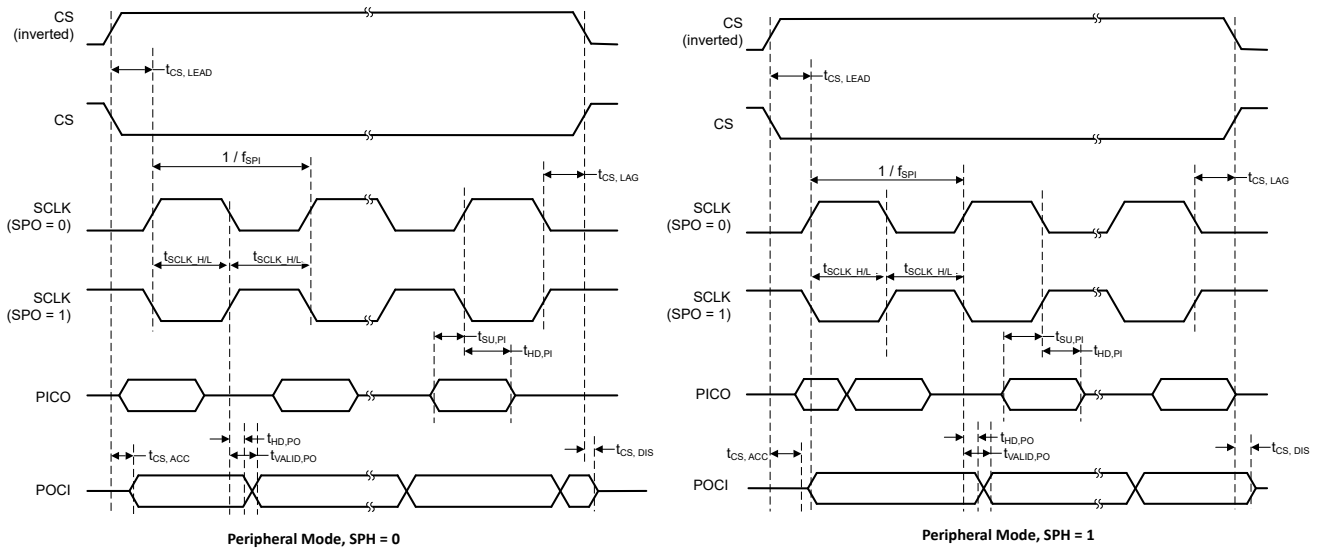
| PARAMETERS            |   | TEST CONDITIONS                             | MIN           | TYP | MAX           | UNIT |
|-----------------------|---|---|---------------|-----|---------------|------|
| t <sub>CS,LEAD</sub>  | CS lead-time, CS active to clock                    | SPH=0                                       | 1 SPI Clock   |     |               | ns   |
|                       |   | SPH=1                                       | 1/2 SPI Clock |     |               |      |
| t <sub>CS,LAG</sub>   | CS lag time, Last clock to CS inactive              | SPH=0                                       | 1/2 SPI Clock |     |               | ns   |
|                       |   | SPH=1                                       | 1 SPI Clock   |     |               |      |
| t <sub>CS,ACC</sub>   | CS access time, CS active to PICO data out          |   |               |     | 1/2 SPI Clock | ns   |
| t <sub>CS,DIS</sub>   | CS disable time, CS inactive to PICO high impedance |   |               |     | 1 SPI Clock   | ns   |
| t <sub>SU,CI</sub>    | POCI input data setup time <sup>(1)</sup>           | 2.7 < VDD < 3.6V, delayed sampling enabled  | 1             |     |               | ns   |
|                       |   | 1.62 < VDD < 2.7V, delayed sampling enabled | 2             |     |               |      |
|                       |   | 2.7 < VDD < 3.6V, no delayed sampling       | 28            |     |               |      |
|                       |   | 1.62 < VDD < 2.7V, no delayed sampling      | 35            |     |               |      |
| t <sub>HD,CI</sub>    | POCI input data hold time                           | delayed sampling enabled                    | 24            |     |               | ns   |
|                       |   | no delayed sampling                         | 0             |     |               |      |
| t <sub>VALID,CO</sub> | PICO output data valid time <sup>(2)</sup>          |   |               |     | 7             | ns   |
| t <sub>HD,CO</sub>    | PICO output data hold time <sup>(3)</sup>           |   | 0             |     |               | ns   |
| <b>Peripheral</b>     |   |   |               |     |               |      |
| t <sub>CS,LEAD</sub>  | CS lead-time, CS active to clock                    |   | 10.5          |     |               | ns   |
| t <sub>CS,LAG</sub>   | CS lag time, Last clock to CS inactive              |   | 1             |     |               | ns   |
| t <sub>CS,ACC</sub>   | CS access time, CS active to POCI data out          |   |               |     | 24            | ns   |
| t <sub>CS,DIS</sub>   | CS disable time, CS inactive to POCI high impedance |   |               |     | 24            | ns   |
| t <sub>SU,PI</sub>    | PICO input data setup time                          |   | 7.5           |     |               | ns   |
| t <sub>HD,PI</sub>    | PICO input data hold time                           |   | 2             |     |               | ns   |
| t <sub>VALID,PO</sub> | POCI output data valid time <sup>(2)</sup>          | 2.7 < VDD < 3.6V                            |               |     | 25            | ns   |
|                       |   | 1.62 < VDD < 2.7V                           |               |     | 29            |      |
| t <sub>HD,PO</sub>    | POCI output data hold time <sup>(3)</sup>           |   | 5.5           |     |               | ns   |

- (1) The POCI input data setup time can be fully compensated when delayed sampling feature is enabled.  
(2) Specifies the time to drive the next valid data to the output after the output changing SCLK clock edge  
(3) Specifies how long data on the output is valid after the output changing SCLK clock edge  
(4)  $f_{SPIclk} = 1/2t_{LO/HI}$  with  $t_{LO/HI} = \max(t_{VALID,CO} + t_{SU,PI}, t_{SU,CI} + t_{VALID,PO})$ .

### 7.18.2 SPI Timing Diagram



**Figure 7-4. SPI timing diagram - Controller Mode**



**Figure 7-5. SPI timing diagram - Peripheral Mode**

### 7.19 UART

over operating free-air temperature range (unless otherwise noted)

| PARAMETERS          |   | TEST CONDITIONS       | MIN | TYP | MAX | UNIT |
|---------------------|---|-----------------------|-----|-----|-----|------|
| f <sub>UART</sub>   | UART input clock frequency                        | UART in Power Domain1 |     |     | 80  | MHz  |
|                     |   | UART in Power Domain0 |     |     | 40  |      |
| f <sub>BITCLK</sub> | BITCLK clock frequency(equals baud rate in MBaud) | UART in Power Domain1 |     |     | 10  | MHz  |
|                     |   | UART in Power Domain0 |     |     | 5   |      |

over operating free-air temperature range (unless otherwise noted)

| PARAMETERS      |  | TEST CONDITIONS | MIN | TYP | MAX | UNIT |
|-----------------|--|-----------------|-----|-----|-----|------|
| t <sub>SP</sub> | Pulse duration of spikes suppressed by input filter <sup>(1)</sup> | AGFSELx = 0     |     | 6   |     | ns   |
|                 |  | AGFSELx = 1     |     | 14  | 35  |      |
|                 |  | AGFSELx = 2     |     | 22  | 60  |      |
|                 |  | AGFSELx = 3     |     | 35  | 90  |      |

(1) Pulses on the UART receive input (RX) that are shorter than the UART receive deglitch time are suppressed. Thus the selected deglitch time can limit the maximum useable baud rate. To ensure that pulses are correctly recognized, their duration should exceed the maximum specification of the deglitch time.

## 7.20 TIMx

over operating free-air temperature range (unless otherwise noted)

| PARAMETERS       |                       | TEST CONDITIONS                                      | MIN  | TYP | MAX | UNIT                 |
|------------------|-----------------------|--|------|-----|-----|----------------------|
| t <sub>res</sub> | Timer resolution time | TIMx in Power Domain 1, f <sub>TIMxCLK</sub> = 80MHz | 12.5 |     |     | ns                   |
|                  |                       | TIMx in Power Domain 0, f <sub>TIMxCLK</sub> = 40MHz | 25   |     |     | ns                   |
|                  |                       |  | 1    |     |     | t <sub>TIMxCLK</sub> |

## 7.21 TRNG

### 7.21.1 TRNG Electrical Characteristics

over operating free-air temperature range (unless otherwise noted)

| PARAMETER             |                     | TEST CONDITIONS    | MIN | TYP | MAX | UNIT |
|-----------------------|---------------------|--------------------|-----|-----|-----|------|
| TRNG <sub>I</sub> ACT | TRNG active current | TRNG clock = 20MHz |     | 115 |     | μA   |

### 7.21.2 TRNG Switching Characteristics

over operating free-air temperature range (unless otherwise noted)

| PARAMETER                 |                                     | TEST CONDITIONS                          | MIN | TYP  | MAX | UNIT |
|---------------------------|-------------------------------------|--|-----|------|-----|------|
| TRNGCLK <sub>F</sub>      | TRNG input clock frequency          |  | 9.5 | 10   | 25  | MHz  |
| TRNG <sub>S</sub> STARTUP | TRNG startup time                   |  |     | 520  |     | μs   |
| TRNG <sub>L</sub> LAT32   | Latency to generate 32 random bits  | Decimation ratio = 4, TRNG clock = 20MHz |     | 6.4  |     | μs   |
| TRNG <sub>L</sub> LAT256  | Latency to generate 256 random bits | Decimation ratio = 4, TRNG clock = 20MHz |     | 51.2 |     | μs   |

## 7.22 Emulation and Debug

### 7.22.1 SWD Timing

over operating free-air temperature range (unless otherwise noted)

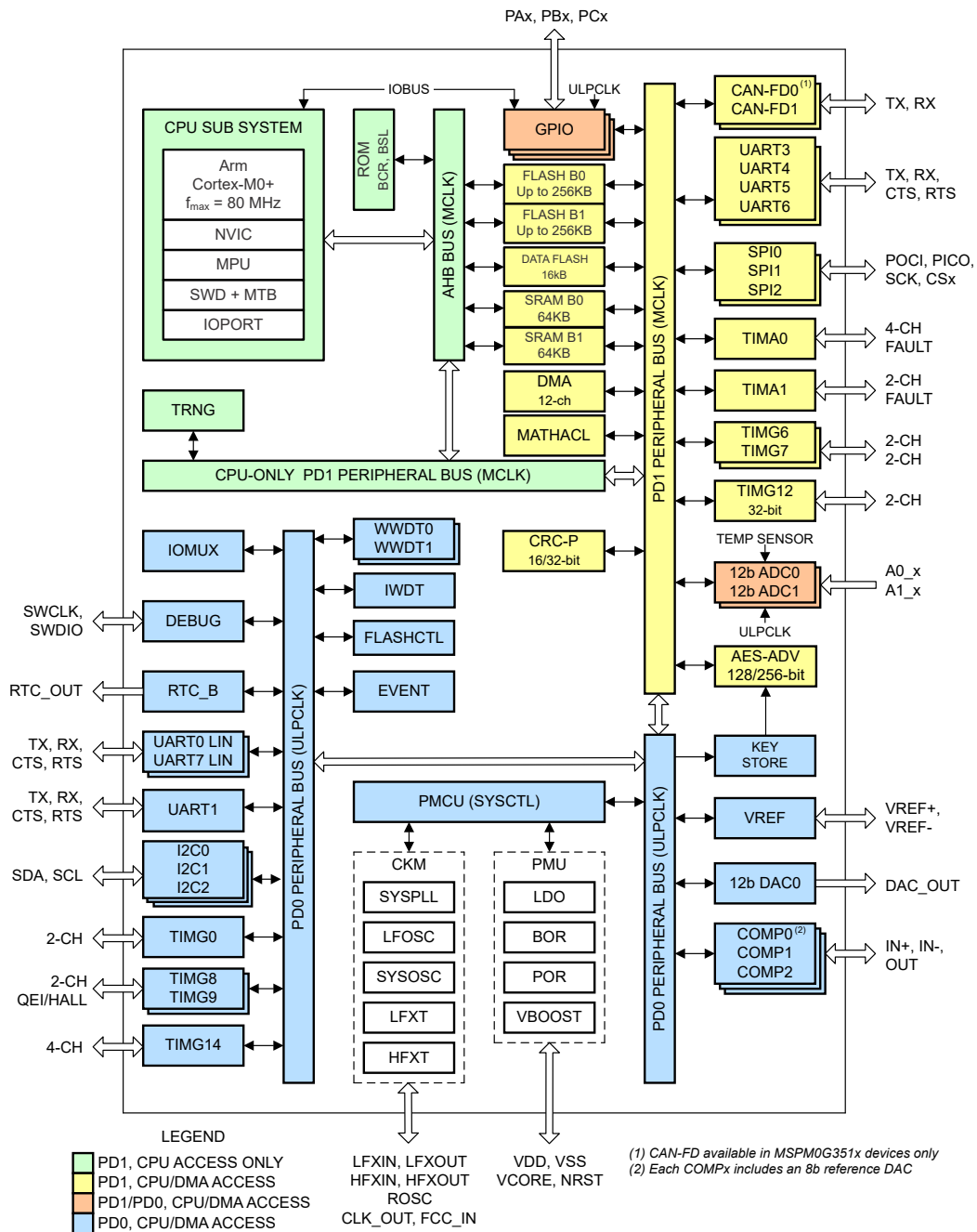
| PARAMETER        |               | TEST CONDITIONS | MIN | TYP | MAX | UNIT |
|------------------|---------------|-----------------|-----|-----|-----|------|
| f <sub>SWD</sub> | SWD frequency |                 |     |     | 10  | MHz  |

## 8 Detailed Description

The following sections describe all of the components that make up the devices in this data sheet. The peripherals integrated into these devices are configured by software through Memory Mapped Registers (MMRs). For more details, see the corresponding chapter of the [MSPM0 G-Series 80MHz Microcontrollers Technical Reference Manual](#).

### 8.1 Functional Block Diagram

MSPM0Gx51x Functional Block Diagram shows the MSPM0Gx51x functional block diagram.



**Figure 8-1. MSPM0Gx51x Functional Block Diagram**

## 8.2 CPU

The CPU sub system (MCPUSS) implements an ARM Cortex-M0+ CPU, an instruction pre-fetch/cache, a system timer, a memory protection unit, and interrupt management features. The ARM Cortex-M0+ is a cost-optimized, 32-bit CPU which delivers high performance and low power to embedded applications. Key features of the CPU Sub System include:

- ARM Cortex-M0+ CPU supporting clock frequencies from 32kHz to 80MHz
  - ARMv6-M Thumb instruction set (little endian) with single-cycle 32x32 multiply instruction
  - Single-cycle access to GPIO registers via ARM single-cycle IO port
- Pre-fetch logic to improve sequential code execution, and I-cache with 4 64-bit cache lines
- System timer (SysTick) with 24-bit down counter and automatic reload
- Memory protection unit (MPU) with 8 programmable regions
- Nested vectored interrupt controller (NVIC) with 4 programmable priority levels and tail-chaining
- Interrupt groups for expanding the total interrupt sources, with jump index for low interrupt latency

## 8.3 Operating Modes

MSPM0G MCUs provide five main operating modes (power modes) to allow for optimization of the device power consumption based on application requirements. In order of decreasing power, the modes are: RUN, SLEEP, STOP, STANDBY, and SHUTDOWN. The CPU is active executing code in RUN mode. Peripheral interrupt events can wake the device from SLEEP, STOP, or STANDBY mode to the RUN mode. SHUTDOWN mode completely disables the internal core regulator to minimize power consumption, and wake is only possible via NRST, SWD, or a logic level match on certain IOs. RUN, SLEEP, STOP, and STANDBY modes also include several configurable policy options (e.g. RUN.x) for balancing performance with power consumption.

To further balance performance and power consumption, MSPM0G devices implement two power domains: PD1 (for the CPU, memories, and high performance peripherals), and PD0 (for low speed, low power peripherals). PD1 is always powered in RUN and SLEEP modes, but is disabled in all other modes. PD0 is always powered in RUN, SLEEP, STOP, and STANDBY modes. PD1 and PD0 are both disabled in SHUTDOWN mode.

### 8.3.1 Functionality by Operating Mode (MSPM0Gx51x)

Supported functionality in each operating mode is given in [Table 8-1](#).

Functional key:

- **EN**: The function is enabled in the specified mode.
- **DIS**: The function is disabled (either clock or power gated) in the specified mode, but the function's configuration is retained.
- **OPT**: The function is optional in the specified mode, and remains enabled if configured to be enabled.
- **NS**: The function is not automatically disabled in the specified mode, but it is not supported.
- **OFF**: The function is fully powered off in the specified mode, and no configuration information is retained. When waking up from an OFF state, all module registers must be re-configured to the desired settings by application software.

**Table 8-1. Supported Functionality by Operating Mode**

| OPERATING MODE |               | RUN                |                    |      | SLEEP  |                    |        | STOP               |       |       | STANDBY            |          | SHUTDOWN |
|----------------|---------------|--------------------|--------------------|------|--------|--------------------|--------|--------------------|-------|-------|--------------------|----------|----------|
|                |               | RUN0               | RUN1               | RUN2 | SLEEP0 | SLEEP1             | SLEEP2 | STOP0              | STOP1 | STOP2 | STANDBY0           | STANDBY1 |          |
| Oscillators    | SYSOSC        | EN                 |                    | DIS  | EN     |                    | DIS    | OPT <sup>(1)</sup> | EN    | DIS   | DIS                |          | OFF      |
|                | LFOSC or LFXT | EN (LFOSC or LFXT) |                    |      |        |                    |        |                    |       |       |                    |          | OFF      |
|                | HFXT          | OPT                | DIS                |      | OPT    | DIS                |        | DIS                |       |       | DIS                |          | OFF      |
|                | SYSPLL        | OPT                | DIS <sup>(4)</sup> |      | OPT    | DIS <sup>(4)</sup> |        | DIS <sup>(4)</sup> |       |       | DIS <sup>(4)</sup> |          | OFF      |

**Table 8-1. Supported Functionality by Operating Mode (continued)**

| OPERATING MODE     |                          | RUN        |        |      | SLEEP  |        |        | STOP                     |       |           | STANDBY            |                       | SHUTDOWN              |     |
|--------------------|--------------------------|------------|--------|------|--------|--------|--------|--------------------------|-------|-----------|--------------------|-----------------------|-----------------------|-----|
|                    |                          | RUN0       | RUN1   | RUN2 | SLEEP0 | SLEEP1 | SLEEP2 | STOP0                    | STOP1 | STOP2     | STANDBY0           | STANDBY1              |                       |     |
| Clocks             | CPUCLK                   | 80 MHz     | 32 kHz |      | DIS    |        |        |                          |       |           |                    |                       | OFF                   |     |
|                    | MCLK to PD1              | 80 MHz     | 32 kHz |      | 80 MHz | 32 kHz |        | DIS                      |       |           |                    |                       | OFF                   |     |
|                    | ULPCLK to PD0            | 40 MHz     | 32 kHz |      | 40 MHz | 32 kHz |        | 4 MHz <sup>(1)</sup>     | 4 MHz | 32 kHz    | 32 kHz             | DIS                   | OFF                   |     |
|                    | ULPCLK to TIMG0/8/9/14   | 40 MHz     | 32 kHz |      | 40 MHz | 32 kHz |        | 4 MHz <sup>(1)</sup>     | 4 MHz | 32 kHz    | 32 kHz             | 32 kHz <sup>(2)</sup> | OFF                   |     |
|                    | RTCCLK                   | 32 kHz     |        |      |        |        |        |                          |       |           |                    |                       | OFF                   |     |
|                    | MFCLK                    | OPT        | DIS    |      | OPT    | DIS    |        | OPT                      |       | DIS       | DIS                |                       | OFF                   |     |
|                    | MFPCLK                   | OPT        | DIS    |      | OPT    | DIS    |        | OPT                      |       | DIS       | DIS                |                       | OFF                   |     |
|                    | LFCLK to PD0/1           | 32 kHz     |        |      |        |        |        |                          |       |           |                    |                       | DIS                   | OFF |
|                    | LFCLK to TIMG0/8/9/14    | 32 kHz     |        |      |        |        |        |                          |       |           |                    |                       | 32 kHz <sup>(2)</sup> | OFF |
|                    | LFCLK Monitor            | OPT        |        |      |        |        |        |                          |       |           |                    |                       | OFF                   |     |
| MCLK Monitor       | OPT                      |            |        |      |        |        |        |                          |       |           |                    | DIS                   | OFF                   |     |
| PMU                | POR monitor              | EN         |        |      |        |        |        |                          |       |           |                    |                       |                       |     |
|                    | BOR monitor              | EN         |        |      |        |        |        |                          |       |           |                    |                       | OFF                   |     |
|                    | Core regulator           | FULL DRIVE |        |      |        |        |        | REDUCED DRIVE            |       | LOW DRIVE |                    |                       | OFF                   |     |
| Core Functions     | CPU                      | EN         |        |      | DIS    |        |        |                          |       |           |                    |                       | OFF                   |     |
|                    | DMA                      | OPT        |        |      |        |        |        | DIS (triggers supported) |       |           |                    |                       | OFF                   |     |
|                    | Flash                    | EN         |        |      |        |        |        | DIS                      |       |           |                    |                       | OFF                   |     |
|                    | SRAM (B0)                | EN         |        |      |        |        |        | DIS                      |       |           |                    |                       | OFF                   |     |
|                    | SRAM (B1)                | OPT        |        |      |        |        |        | DIS / OFF                |       | OFF       |                    |                       | OFF                   |     |
| PD1<br>Peripherals | MATHACL                  | OPT        |        |      |        |        |        | OFF                      |       |           |                    |                       | OFF                   |     |
|                    | UART3/4/5/6              | OPT        |        |      |        |        |        | DIS                      |       |           |                    |                       | OFF                   |     |
|                    | SPI0/1/2                 | OPT        |        |      |        |        |        | DIS                      |       |           |                    |                       | OFF                   |     |
|                    | MCAN0/1                  | OPT        | OFF    |      | OPT    | OFF    |        | OFF                      |       |           |                    |                       | OFF                   |     |
|                    | TIMA0/1                  | OPT        |        |      |        |        |        | OFF                      |       |           |                    |                       | OFF                   |     |
|                    | TIMG6/7/12               | OPT        |        |      |        |        |        | OFF                      |       |           |                    |                       | OFF                   |     |
|                    | AESADV                   | OPT        |        |      |        |        |        | OFF                      |       |           |                    |                       | OFF                   |     |
|                    | CRC-P                    | OPT        |        |      |        |        |        | DIS                      |       |           |                    |                       | OFF                   |     |
| TRNG               | OPT                      |            |        |      |        |        | OFF    |                          |       |           |                    | OFF                   |                       |     |
| PD0<br>Peripherals | GPIOA/B/C <sup>(3)</sup> | OPT        |        |      |        |        |        |                          |       |           | OPT <sup>(2)</sup> |                       | OFF                   |     |
|                    | UART0/1/7                | OPT        |        |      |        |        |        |                          |       |           | OPT <sup>(2)</sup> |                       | OFF                   |     |
|                    | I2C0/1/2                 | OPT        |        |      |        |        |        |                          |       |           | OPT <sup>(2)</sup> |                       | OFF                   |     |
|                    | TIMG0/8/9/14             | OPT        |        |      |        |        |        |                          |       |           | OPT <sup>(2)</sup> |                       | OFF                   |     |
|                    | WWDT0/1                  | OPT        |        |      |        |        |        |                          |       |           | DIS                |                       | OFF                   |     |
|                    | IWDT                     | OPT        |        |      |        |        |        |                          |       |           |                    |                       | OFF                   |     |
|                    | RTC_B                    | OPT        |        |      |        |        |        |                          |       |           |                    |                       | OFF                   |     |
|                    | Keystore                 | OPT        |        |      |        |        |        |                          |       |           |                    |                       | OFF                   |     |

**Table 8-1. Supported Functionality by Operating Mode (continued)**

| OPERATING MODE      |                       | RUN  |           |      | SLEEP     |        |           | STOP    |                         |       | STANDBY                |                | SHUTDOWN |
|---------------------|-----------------------|------|-----------|------|-----------|--------|-----------|---------|-------------------------|-------|------------------------|----------------|----------|
|                     |                       | RUN0 | RUN1      | RUN2 | SLEEP0    | SLEEP1 | SLEEP2    | STOP0   | STOP1                   | STOP2 | STANDBY0               | STANDBY1       |          |
| Analog              | VREF                  | OPT  |           |      |           |        |           |         |                         |       |                        | OFF            |          |
|                     | ADC0/1 <sup>(3)</sup> | OPT  |           |      |           |        |           |         | NS (triggers supported) |       |                        | OFF            |          |
|                     | COMP0/1/2             | OPT  | OPT (ULP) | OPT  | OPT (ULP) | OPT    | OPT (ULP) |         |                         |       |                        | OFF            |          |
|                     | DAC0                  | OPT  |           |      |           |        |           |         | NS                      |       |                        | OFF            |          |
|                     | Temperature Sensor    | OPT  |           |      |           |        |           |         |                         |       | OFF                    | OFF            |          |
| IOMUX and IO Wakeup |                       | EN   |           |      |           |        |           |         |                         |       |                        | DIS w/<br>WAKE |          |
| Wake Sources        |                       | N/A  |           |      | ANY IRQ   |        |           | PD0 IRQ |                         |       | IOMUX,<br>NRST,<br>SWD |                |          |

- (1) If STOP0 is entered from RUN1 (SYSOSC enabled but MCLK sourced from LFCLK), SYSOSC remains enabled as it was in RUN1, and ULPCLK remains at 32 kHz as it was in RUN1. If STOP0 is entered from RUN2 (SYSOSC was disabled and MCLK was sourced from LFCLK), SYSOSC remains disabled as it was in RUN2, and ULPCLK remains at 32 kHz as it was in RUN2.
- (2) When using the STANDBY1 policy for STANDBY, only specific peripherals (TIMG0, TIMG8, TIMG9, TIMG14, and RTC) are clocked. Other PD0 peripherals can generate an asynchronous fast clock request upon external activity but are not actively clocked.
- (3) For ADCx and GPIOx Ports, the digital logic is in PD0 and the register interface is in PD1. These peripherals support fast single-cycle register access when PD1 is active and also support basic operation down to STANDBY mode where PD0 is still active.
- (4) SYSPLL is not automatically disabled, and needs to be manually disabled through the HSCLKEN.SYSPLEN field within the SYSCTL registers in order to reduce power consumption.

## 8.4 Power Management Unit (PMU)

The power management unit (PMU) generates the internally regulated core supplies for the device and provides supervision of the external supply (VDD). The PMU also contains the bandgap voltage reference used by the PMU itself as well as analog peripherals. Key features of the PMU include:

- Power-on reset (POR) supply monitor
- Brown-out reset (BOR) supply monitor with early warning capability using three programmable thresholds
- Core regulator with support for RUN, SLEEP, STOP, and STANDBY operating modes to dynamically balance performance with power consumption
- Parity-protected trim to immediately generate a power-on reset (POR) in the event that a power management trim is corrupted

For more details, see the PMU chapter of the [MSPM0 G-Series 80MHz Microcontrollers Technical Reference Manual](#).

## 8.5 Clock Module (CKM)

The clock module provides the following oscillators:

- **LFOSC**: Internal low-frequency oscillator (32KHz)
- **SYSOSC**: Internal high-frequency oscillator (4MHz or 32MHz with factory trim, 16MHz or 24MHz with user trim)
- **LFXT/LFCKIN** : low-frequency external crystal oscillator or digital clock input (32KHz)
- **HFXT/HFCKIN**: high-frequency external crystal oscillator or digital clock input (4 to 48MHz)
- **SYSPLL**: system phase locked loop with 3 outputs (32 to 80MHz)

The following clocks are distributed by the clock module for use by the processor, bus, and peripherals:

- **MCLK**: Main system clock for PD1 peripherals, derived from SYSOSC, LFCLK, or HSCLK, active in RUN and SLEEP modes

- **CPUCLK**: Clock for the processor (derived from MCLK), active in RUN mode
- **ULPCLK**: Ultra-low power clock for PD0 peripherals, active in RUN, SLEEP, STOP, and STANDBY modes
- **MFCLK**: 4MHz fixed mid-frequency clock for peripherals, available in RUN, SLEEP, and STOP modes
- **MFPCLK**: 4MHz fixed mid-frequency precision clock, available in RUN, SLEEP, and STOP modes
- **LFCLK**: 32kHz fixed low-frequency clock for peripherals or MCLK, active in RUN, SLEEP, STOP, and STANDBY modes
- **ADCCLK**: ADC clock, available in RUN, SLEEP and STOP modes
- **CLK\_OUT**: Used to output a clock externally, available in RUN, SLEEP, STOP, and STANDBY modes
- **HFCLK**: High frequency clock derived from HFXT or HFCLK\_IN, available in RUN and SLEEP mode
- **HSCLK**: High speed clock derived from HFCLK or the SYSPLL, available in RUN and SLEEP mode
- **CANCLK**: CAN functional clock, derived from HFCLK or SYSPLL

For more details, see the CKM chapter of the [MSPM0 G-Series 80MHz Microcontrollers Technical Reference Manual](#).

## 8.6 DMA

The direct memory access (DMA) controller allows movement of data from one memory address to another without CPU intervention. For example, the DMA can be used to move data from ADC conversion memory to SRAM. The DMA reduces system power consumption by allowing the CPU to remain in low power mode, without having to awaken to move data to or from a peripheral.

The DMA in these devices support the following key features:

- 12 independent DMA transfer channels
  - 6 full-feature channel (DMA0-DMA5), supporting repeated transfer modes
  - 6 basic channels (DMA6-DMA11) supporting single transfer modes
- Configurable DMA channel priorities
- Byte (8-bit), short word (16-bit), word (32-bit) and long word (64-bit) and long-long word (128-bit) or mixed byte and word transfer capability
- Transfer counter block size supports up to 64k transfers of any data type
- Configurable DMA transfer trigger selection
- Active channel interruption to service other channels
- Early interrupt generation for ping-pong buffer architecture
- Cascading channels upon completion of activity on another channel
- Stride mode to support data re-organization, such as 3-phase metering applications
- Gather mode

**Table 8-2. DMA Features**

| Feature                      | FULL        | BASIC         |
|------------------------------|-------------|---------------|
| Channel#                     | 0,1,2,3,4,5 | 6,7,8,9,10,11 |
| Repeat Mode                  | Yes         | -             |
| Table & Fill Mode            | Yes         | -             |
| Gather Mode                  | Yes         | -             |
| Pre-IRQ                      | Yes         | -             |
| Auto Enable                  | Yes         | Yes           |
| Long Long (128-bit) Transfer | Yes         | Yes           |
| Stride Mode                  | Yes         | Yes           |
| Cascading Channel Support    | Yes         | Yes           |

**Table 8-3** lists the available triggers for the DMA which are configured using the DMATCTL.DMATSEL control bits in the DMA memory mapped registers.



**Table 8-3. DMA Trigger Mapping**

| DMACTL.DMATSEL | Trigger Source              | DMACTL.DMATSEL | Trigger Source    |
|----------------|-----------------------------|----------------|-------------------|
| 0              | Software                    | 17             | SPI2 Publisher 2  |
| 1              | Generic Subscriber (FSUB_0) | 18             | UART3 Publisher 1 |
| 2              | Generic Subscriber (FSUB_1) | 19             | UART3 Publisher 2 |
| 3              | AESADV Publisher 1          | 20             | UART4 Publisher 1 |
| 4              | AESADV Publisher 2          | 21             | UART4 Publisher 2 |
| 5              | DAC0 Publisher 2            | 22             | UART5 Publisher 1 |
| 6              | I2C0 Publisher 1            | 23             | UART5 Publisher 2 |
| 7              | I2C0 Publisher 2            | 24             | UART6 Publisher 1 |
| 8              | I2C1 Publisher 1            | 25             | UART6 Publisher 2 |
| 9              | I2C1 Publisher 2            | 26             | UART0 Publisher 1 |
| 10             | I2C2 Publisher 1            | 27             | UART0 Publisher 2 |
| 11             | I2C2 Publisher 2            | 28             | UART7 Publisher 1 |
| 12             | SPI0 Publisher 1            | 29             | UART7 Publisher 2 |
| 13             | SPI0 Publisher 2            | 30             | UART1 Publisher 1 |
| 14             | SPI1 Publisher 1            | 31             | UART1 Publisher 2 |
| 15             | SPI1 Publisher 2            | 32             | ADC0 DMA Trigger  |
| 16             | SPI2 Publisher 1            | 33             | ADC1 DMA Trigger  |

For more details, see the DMA chapter of the [MSPM0 G-Series 80MHz Microcontrollers Technical Reference Manual](#).

## 8.7 Events

The event manager transfers digital events from one entity (for example, a peripheral) to another (for example, a second peripheral, the DMA, or the CPU). The event manager implements event transfer through a defined set of event publishers (generators) and subscribers (receivers) which are interconnected through an event fabric containing a combination of static and programmable routes.

Events which are transferred by the event manager include:

- Peripheral event transferred to the CPU as an interrupt request (IRQ) (Static Event)
  - Example: RTC interrupt is sent to the CPU
- Peripheral event transferred to the DMA as a DMA trigger (DMA Event)
  - Example: UART data receive trigger to DMA to request a DMA transfer
- Peripheral event transferred to another peripheral to directly trigger an action in hardware (Generic Event)
  - Example: TIMx timer peripheral publishes a periodic event to the ADC subscriber port, and the ADC uses the event to trigger start-of-sampling

Refer to Event chapter of the [MSPM0 G-Series 80MHz Microcontrollers Technical Reference Manual](#) for more information.

**Table 8-4. Generic Event Channels**

A generic route is either a point-to-point (1:1) route or a point-to-two (1:2) splitter route in which the peripheral publishing the event is configured to use one of several available generic route channels to publish its event to another entity (or entities, in the case of a splitter route), where an entity may be another peripheral, a generic DMA trigger event, or a generic CPU event.

| CHANID | Generic Route Channel Selection   | Channel Type |
|--------|-----------------------------------|--------------|
| 0      | No generic event channel selected | N/A          |
| 1      | Generic event channel 1 selected  | 1 : 1        |
| 2      | Generic event channel 2 selected  | 1 : 1        |
| 3      | Generic event channel 3 selected  | 1 : 1        |
| 4      | Generic event channel 4 selected  | 1 : 1        |

**Table 8-4. Generic Event Channels (continued)**

A generic route is either a point-to-point (1:1) route or a point-to-two (1:2) splitter route in which the peripheral publishing the event is configured to use one of several available generic route channels to publish its event to another entity (or entities, in the case of a splitter route), where an entity may be another peripheral, a generic DMA trigger event, or a generic CPU event.

| CHANID | Generic Route Channel Selection   | Channel Type     |
|--------|-----------------------------------|------------------|
| 5      | Generic event channel 5 selected  | 1 : 1            |
| 6      | Generic event channel 6 selected  | 1 : 1            |
| 7      | Generic event channel 7 selected  | 1 : 1            |
| 8      | Generic event channel 8 selected  | 1 : 1            |
| 9      | Generic event channel 9 selected  | 1 : 1            |
| 10     | Generic event channel 10 selected | 1 : 1            |
| 11     | Generic event channel 11 selected | 1 : 1            |
| 12     | Generic event channel 12 selected | 1 : 2 (splitter) |
| 13     | Generic event channel 13 selected | 1 : 2 (splitter) |
| 14     | Generic event channel 14 selected | 1 : 2 (splitter) |
| 15     | Generic event channel 15 selected | 1 : 2 (splitter) |

## 8.8 Memory

### 8.8.1 Memory Organization

Table 8-5 summarizes the memory map of the devices. For more information about the memory region detail, see the *Platform Memory Map* section in the [MSPM0 G-Series 80MHz Microcontrollers Technical Reference Manual](#).

**Table 8-5. Memory Organization**

| MEMORY REGION       | SUBREGION                | MSPM0G1518, MSPM0G3518     | MSPM0G1519, MSPM0G3519     |
|---------------------|--------------------------|----------------------------|----------------------------|
| Code (Flash Bank 0) | MAIN ECC Corrected       | 128KB                      | 256KB                      |
|                     |                          | 0x0000.0000 to 0x0001.FFFF | 0x0000.0000 to 0x0003.FFFF |
|                     | MAIN ECC Uncorrected     | 0x0040.0000 to 0x0041.FFFF | 0x0040.0000 to 0x0043.FFFF |
|                     | Flash ECC code           | 0x0080.0000 to 0x0081.FFFF | 0x0080.0000 to 0x0083.FFFF |
| Code (Flash Bank 1) | MAIN ECC Corrected       | 128KB                      | 256KB                      |
|                     |                          | 0x0002.0000 to 0x0003.FFFF | 0x0004.0000 to 0x0007.FFFF |
|                     | MAIN ECC Uncorrected     | 0x0042.0000 to 0x0043.FFFF | 0x0044.0000 to 0x0047.FFFF |
|                     | Flash ECC code           | 0x0082.0000 to 0x0083.FFFF | 0x0084.0000 to 0x0087.FFFF |
| Data Flash Bank     | Data Flash ECC Corrected | 16KB                       | 16KB                       |
|                     |                          | 0x41D0.0000 to 0x41D0.3FFF | 0x41D0.0000 to 0x41D0.3FFF |
|                     | Data Flash Unchecked     | 0x41E0.0000 to 0x41E0.3FFF | 0x41E0.0000 to 0x41E0.3FFF |
|                     | Data Flash ECC code      | 0x41F0.0000 to 0x41F0.3FFF | 0x41F0.0000 to 0x41F0.3FFF |
| SRAM (Bank 0)       | SRAM ECC Corrected       | 64KB                       | 64KB                       |
|                     |                          | 0x2000.0000 to 0x2000.FFFF | 0x2000.0000 to 0x2000.FFFF |
|                     | SRAM Parity Checked      | 0x2010.0000 to 0x2010.FFFF | 0x2010.0000 to 0x2010.FFFF |
|                     | SRAM Unchecked           | 0x2020.0000 to 0x2020.FFFF | 0x2020.0000 to 0x2020.FFFF |
|                     | SRAM ECC code            | 0x2030.0000 to 0x2030.FFFF | 0x2030.0000 to 0x2030.FFFF |
| SRAM (Bank 1)       | SRAM Unchecked           | 64KB                       | 64KB                       |
|                     |                          | 0x2021.0000 to 0x2021.FFFF | 0x2021.0000 to 0x2021.FFFF |

**Table 8-5. Memory Organization (continued)**

| MEMORY REGION    | SUBREGION                  | MSPM0G1518, MSPM0G3518     | MSPM0G1519, MSPM0G3519     |
|------------------|----------------------------|----------------------------|----------------------------|
| Peripheral       | Peripherals                | 0x4000.0000 to 0x40FF.FFFF | 0x4000.0000 to 0x40FF.FFFF |
|                  | NONMAIN Corrected          | 2KB                        | 2KB                        |
|                  |                            | 0x41C0.0000 to 0x41C0.07FF | 0x41C0.0000 to 0x41C0.07FF |
|                  | NONMAIN Uncorrected        | 0x41C1.0000 to 0x41C1.07FF | 0x41C1.0000 to 0x41C1.07FF |
|                  | NONMAIN ECC code           | 0x41C2.0000 to 0x41C2.07FF | 0x41C2.0000 to 0x41C2.07FF |
|                  | FACTORY Corrected          | 512Bytes                   | 512Bytes                   |
|                  |                            | 0x41C4.0000 to 0x41C4.01FF | 0x41C4.0000 to 0x41C4.01FF |
|                  | FACTORY Uncorrected        | 0x41C5.0000 to 0x41C5.01FF | 0x41C5.0000 to 0x41C5.01FF |
| FACTORY ECC code | 0x41C6.0000 to 0x41C6.01FF | 0x41C6.0000 to 0x41C6.01FF |                            |
| Subsystem        |                            | 0x6000.0000 to 0x7FFF.FFFF | 0x6000.0000 to 0x7FFF.FFFF |
| System PPB       |                            | 0xE000.0000 to 0xE00F.FFFF | 0xE000.0000 to 0xE00F.FFFF |

### 8.8.2 Peripheral File Map

Table 8-6 lists the available peripherals and the register base address for each.

**Table 8-6. Peripherals Summary**

| Peripheral Name | Base Address | Size   |
|-----------------|--------------|--------|
| ADC0            | 0x40000000   | 0x2000 |
| ADC1            | 0x40002000   | 0x2000 |
| COMP0           | 0x40008000   | 0x2000 |
| COMP1           | 0x4000A000   | 0x2000 |
| COMP2           | 0x4000C000   | 0x2000 |
| DAC0            | 0x40018000   | 0x2000 |
| VREF            | 0x40030000   | 0x2000 |
| WWDT0           | 0x40080000   | 0x2000 |
| WWDT1           | 0x40082000   | 0x2000 |
| TIMG0           | 0x40084000   | 0x2000 |
| TIMG8           | 0x40090000   | 0x2000 |
| TIMG9           | 0x40092000   | 0x2000 |
| RTC_B           | 0x40094000   | 0x2000 |
| TIMG14          | 0x40096000   | 0x2000 |
| GPIOA           | 0x400A0000   | 0x2000 |
| GPIOB           | 0x400A2000   | 0x2000 |
| GPIOC           | 0x400A4000   | 0x2000 |
| KEystore        | 0x400AC000   | 0x2000 |
| SYSCTL          | 0x400AF000   | 0x4000 |
| DEBUGSS         | 0x400C7000   | 0x2000 |
| EVENT           | 0x400C9000   | 0x3000 |
| NVM             | 0x400CD000   | 0x2000 |
| I2C0            | 0x400F0000   | 0x2000 |

**Table 8-6. Peripherals Summary (continued)**

| Peripheral Name     | Base Address | Size   |
|---------------------|--------------|--------|
| I2C1                | 0x400F2000   | 0x2000 |
| I2C2                | 0x400F4000   | 0x2000 |
| UART1               | 0x40100000   | 0x2000 |
| UART0               | 0x40108000   | 0x2000 |
| UART7               | 0x4010A000   | 0x2000 |
| MCPUSS              | 0x40400000   | 0x2000 |
| MTB                 | 0x40402000   | 0x1000 |
| MTBRAM              | 0x40403000   | 0x0020 |
| MATHACL             | 0x40410000   | 0x2000 |
| IOMUX               | 0x40428000   | 0x2000 |
| DMA                 | 0x4042A000   | 0x2000 |
| CRC                 | 0x40440000   | 0x2000 |
| AESADV              | 0x40442000   | 0x2000 |
| TRNG                | 0x40444000   | 0x2000 |
| SPI0                | 0x40468000   | 0x2000 |
| SPI1                | 0x4046A000   | 0x2000 |
| SPI2                | 0x4046C000   | 0x2000 |
| UART3               | 0x40500000   | 0x2000 |
| UART4               | 0x40502000   | 0x2000 |
| UART5               | 0x40504000   | 0x2000 |
| UART6               | 0x40506000   | 0x2000 |
| MCAN0               | 0x40508000   | 0x8000 |
| MCAN1               | 0x40510000   | 0x8000 |
| ADC0 <sup>(1)</sup> | 0x40556000   | 0x2000 |
| ADC1 <sup>(1)</sup> | 0x40558000   | 0x2000 |
| TIMA0               | 0x40860000   | 0x2000 |
| TIMA1               | 0x40862000   | 0x2000 |
| TIMG6               | 0x40868000   | 0x2000 |
| TIMG7               | 0x4086A000   | 0x2000 |
| TIMG12              | 0x40870000   | 0x2000 |

(1) Aliased region of ADC0 and ADC1 memory-mapped registers

### 8.8.3 Peripheral Interrupt Vector

Table 8-7 shows the IRQ number and the interrupt group number for each peripherals in this device.

**Table 8-7. Interrupt vector number**

| Peripheral Name  | NVIC IRQ | Group IIDX |
|------------------|----------|------------|
| WWDT0            | 0        | 0          |
| WWDT1            | 0        | 1          |
| DEBUGSS          | 0        | 2          |
| FLASHCTL         | 0        | 3          |
| EVENT SUB PORT 0 | 0        | 4          |
| EVENT SUB PORT 1 | 0        | 5          |
| SYSCTL           | 0        | 6          |
| GPIOA            | 1        | 0          |
| GPIOB            | 1        | 1          |
| COMP0            | 1        | 2          |
| COMP1            | 1        | 3          |
| COMP2            | 1        | 4          |
| TRNG             | 1        | 5          |
| GPIOC            | 1        | 6          |
| TIMG8            | 2        | -          |
| UART3            | 3        | -          |
| ADC0             | 4        | -          |
| ADC1             | 5        | -          |
| CANFD0           | 6        | -          |
| DAC0             | 7        | -          |
| TIMG9            | 8        | -          |
| SPI0             | 9        | -          |
| SPI1             | 10       | -          |
| SPI2             | 11       | -          |
| CANFD1           | 12       | -          |
| UART1            | 13       | -          |
| UART4            | 14       | -          |
| UART0            | 15       | -          |
| TIMG0            | 16       | -          |
| TIMG6            | 17       | -          |
| TIMA0            | 18       | -          |
| TIMA1            | 19       | -          |
| TIMG7            | 20       | -          |
| TIMG12           | 21       | -          |
| TIMG14           | 22       | -          |
| UART5            | 23       | -          |
| I2C0             | 24       | -          |
| I2C1             | 25       | -          |
| I2C2             | 26       | -          |
| UART7            | 27       | -          |
| AESADV           | 28       | -          |
| UART6            | 29       | -          |

**Table 8-7. Interrupt vector number (continued)**

| Peripheral Name | NVIC IRQ | Group IIDX |
|-----------------|----------|------------|
| RTC_B           | 30       | -          |
| DMA0            | 31       | -          |

## 8.9 Flash Memory

A dual bank of non-volatile flash memory (up to 256kB/512kB total) and a separate data flash bank (16kB) is provided for storing executable program code and application data.

Key features of the flash include:

- Hardware ECC protection (encode and decode) with single bit error correction and double bit error detection
- In-circuit program and erase operations supported across the entire recommended supply range
- Small 1kB sector sizes (minimum erase resolution of 1kB)
- Up to 100,000 program/erase cycles on the 32 selected sectors of the flash memory, with up to 10,000 program/erase cycles on the remaining flash memory (devices with 32kB support 100,000 cycles on the entire flash memory)
- Bank address swap for in-system, over-the-air (OTA) firmware updates

For a complete description of the flash memory, see the NVM chapter of the [MSPM0 G-Series 80MHz Microcontrollers Technical Reference Manual](#).

## 8.10 SRAM

MSPM0 MCUs include a low power, high performance SRAM memory with zero wait state access across the supported CPU frequency range of the device. MSPM0 MCUs also provides up to 128KB SRAM. SRAM memory may be used for storing volatile information such as the call stack, heap, global data, and code.

The SRAM memory content is split into two banks of 64kB each. SRAM (Bank 0) provides 64kB of ECC or parity protected SRAM and is always available in run, sleep, stop, and standby operating modes. SRAM (Bank 1) provides 64kB which does not include ECC protection or parity and can be selectively enabled or disabled through BANKOFF1 bit in SRAMCFG register in SYSCTL. When enabled, SRAM (Bank 1) is available in run, sleep, and stop modes. SRAM (Bank 1) can be powered off in STOP mode by configuring the BANKSTOP1 bit in SRAMCFG register in SYSCTL. SRAM contents for both banks are lost in shutdown mode.

A write-execute mutual exclusion mechanism is provided to allow the application to partition the SRAM into three sections: two read-write (RW) partitions and a read-execute (RX) partition. The two RW partitions occupy the low and high portions of SRAM address space, while the RX partition occupies the middle portion of the SRAM address space. The SRAMBOUNDARY and SRAMBOUNDARYHIGH registers in SYSCTL need to be configured to set up these partitions. Write protection is useful when placing executable code into SRAM as it provides a level of protection against unintentional overwrites of code by either the CPU or DMA. Placing code in SRAM can improve performance of critical loops by enabling zero wait state operation and lower power consumption. Preventing code execution from the RW partition improves security by preventing self-modifying code execution ability.

## 8.11 GPIO

The general purpose input/output (GPIO) peripheral provides the user with a means to write data out and read data in to and from the device pins. Through the use of the Port A, Port B, and Port C GPIO peripherals, these devices support up to 93 GPIO pins.

The key features of the GPIO module include:

- 0 wait state MMR access from CPU
- Set/Clear/Toggle multiple bits without the need of a read-modify-write construct in software
- GPIOs with "Standard with Wake" drive functionality able to wake the device from SHUTDOWN mode
- User controlled input filtering
- GPIO "FastWake" feature enables low-power wakeup from STOP and STANDBY modes for any GPIO port

For more details, see the GPIO chapter of the [MSPM0 G-Series 80MHz Microcontrollers Technical Reference Manual](#).

## 8.12 IOMUX

The IOMUX peripheral enables IO pad configuration and controls digital data flow to and from the device pins. The key features of the IOMUX include:

- IO Pad configuration registers allow for programmable drive strength, speed, pullup-down, and more
- Digital pin muxing allows for multiple peripheral signals to be routed to the same IO pad
- Pin functions and capabilities are user-configured using the PINCM register

For more details, see the IOMUX chapter of the [MSPM0 G-Series 80MHz Microcontrollers Technical Reference Manual](#).

## 8.13 ADC

Both 12-bit analog-to-digital converter (ADC) modules in these devices, ADC0 and ADC1, support fast 12-bit conversions with single-ended inputs and simultaneous sampling operation.

ADC features include:

- 12-bit output resolution at 4Msps with greater than 11 ENOB
- HW averaging enables 14-bit effective resolution at 250ksps
- Up to 27 total external input channels
- 24 individual result storage registers (12 per ADC instance)
- Internal channels for temperature sensing and supply monitoring
- Software selectable reference:
  - Configurable internal reference voltage of 1.4V and 2.5V (requires decoupling capacitor on VREF+/- pins)
  - MCU supply voltage (VDD)
  - External reference supplied to the ADC through the VREF+/- pins
- Operates in RUN, SLEEP, and STOP modes

Table 8-8 shows the ADC channel mapping in the device.

**Table 8-8. ADC Channel Mapping**

| CHANNEL[0:7] | SIGNAL NAME <sup>(2)</sup> |                               | CHANNEL[8:15] | SIGNAL NAME <sup>(1) (2)</sup> |                               |
|--------------|----------------------------|-------------------------------|---------------|--------------------------------|-------------------------------|
|              | ADC0                       | ADC1                          |               | ADC0                           | ADC1                          |
| 0            | A0_0                       | A1_0 / DAC_OUT <sup>(4)</sup> | 8             | A0_8 <sup>(3)</sup>            | A1_8 <sup>(3)</sup>           |
| 1            | A0_1                       | A1_1                          | 9             | A0_9                           | -                             |
| 2            | A0_2                       | A1_2                          | 10            | -                              | A1_10                         |
| 3            | A0_3                       | A1_3                          | 11            | <i>Temperature Sensor</i>      | A1_11                         |
| 4            | A0_4                       | A1_4                          | 12            | A0_12                          | A1_12 / VREF+                 |
| 5            | A0_5                       | A1_5                          | 13            | A0_13                          | A1_13                         |
| 6            | A0_6                       | A1_6                          | 14            | A0_14                          | A1_14                         |
| 7            | A0_7                       | A1_7 / VREF-                  | 15            | <i>Supply/Battery Monitor</i>  | <i>Supply/Battery Monitor</i> |

(1) *Italicized* signal names are purely internal to the device. These signals are used for internal peripheral interconnections.

(2) For more information about device analog connections please refer to [Device Analog Connections](#)

(3) Note that each channel 8 of each ADC can be sampled by the opposite ADC

(4) When DAC\_OUT is used, A1\_0 cannot be used to sample external signals. Avoid using external circuitry on the PA15 pin when using DAC\_OUT.

For more details, see the ADC chapter of the [MSPM0 G-Series 80MHz Microcontrollers Technical Reference Manual](#).

## 8.14 Temperature Sensor

The temperature sensor provides a voltage output that changes linearly with device temperature. The temperature sensor output is internally connected to one of ADC input channels to enable a temperature-to-digital conversion.

A unit-specific single-point calibration value for the temperature sensor is provided in the factory constants memory region. This calibration value represents the ADC conversion result (in ADC code format) corresponding to the temperature sensor being measured in 12-bit mode with the 1.4-V internal VREF at the factory trim temperature ( $T_{STRIM}$ ).

The ADC and VREF configuration for the above measurement is as the following: RES=0 (12-bit mode), VRSEL=2h (Internal reference), BUFCONFIG=1h (1.4V VREF), ADC  $t_{Sample}=12.5\mu s$ . This calibration value can be used with the temperature sensor temperature coefficient ( $TS_c$ ) to estimate the device temperature.

See the temperature sensor section of the [MSPM0 G-Series 80MHz Microcontrollers Technical Reference Manual](#) for guidance on estimating the device temperature with the factory trim value.

## 8.15 VREF

The shared voltage reference module (VREF) in these devices contain a configurable voltage reference buffer which allows users to supply a stable reference to on-board analog peripherals. It also supports bringing in an external reference for applications where higher accuracy is required.

VREF features include:

- 1.4V and 2.5V user-selectable internal references
- Internal reference supports full speed ADC operation
- Support for bringing in an external reference on VREF+/- device pins
- Requires a decoupling capacitor placed on VREF+/- pins for proper operation. See [VREF](#) for more details.

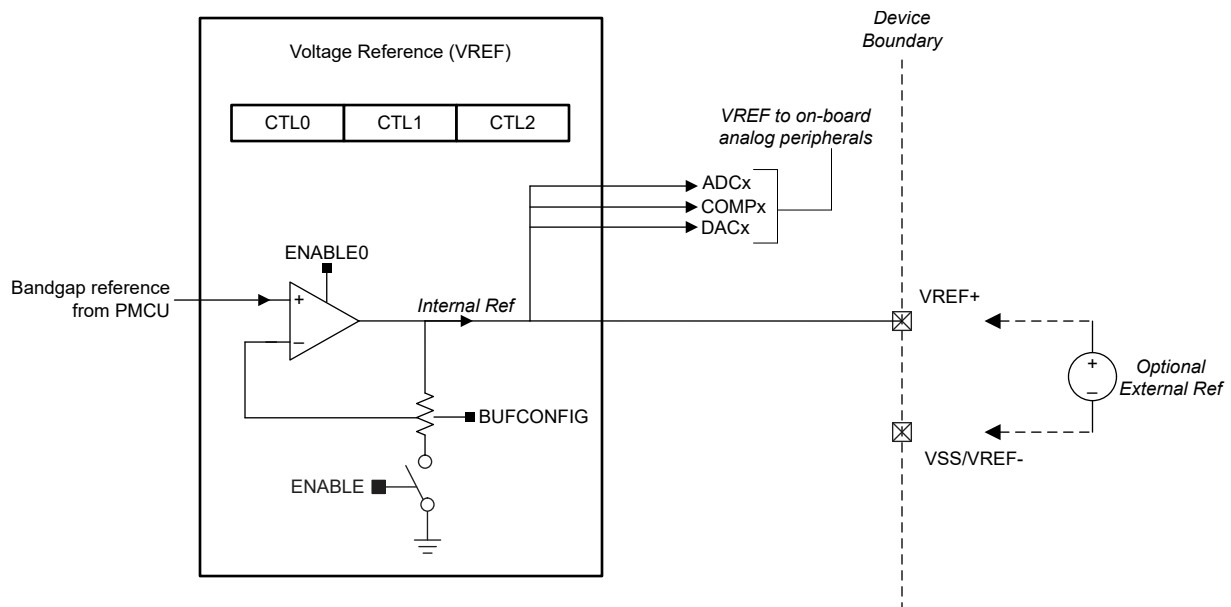


Figure 8-2. VREF module

For more details, see the VREF chapter of the [MSPM0 G-Series 80MHz Microcontrollers Technical Reference Manual](#).

## 8.16 COMP

The comparator peripheral in the device compares the voltage levels on two inputs terminals and provides a digital output based on this comparison. It supports the following key features:



- Programmable hysteresis
- Programmable reference voltage:
  - External reference voltage (VREF IO)
  - Internal reference voltage (1.4V, 2.5V)
  - Integrated 8-bit reference DAC
- Configurable operation modes:
  - High-speed mode
  - Low-power mode
- Programmable output glitch filter delay
- Supports 6 blanking sources from TIMx instances (see [Table 8-9](#))
- Device wakeup from all low power modes using comparator output
- Output connected to advanced timer fault handling mechanism
- Selection of comparator channel inputs from device pins or internal analog module (see [Table 8-10](#), [Table 8-11](#) and [Table 8-12](#))

**Table 8-9. COMP Blanking Source Table**

| CTL2.BLANKSRC | BLANKING SOURCE |
|---------------|-----------------|
| 1             | TIMA0.CC2       |
| 2             | TIMA0.CC3       |
| 3             | TIMA1.CC1       |
| 4             | TIMG12.CC1      |
| 5             | TIMG6.CC1       |
| 6             | TIMG7.CC1       |

**Table 8-10. COMP0 Input Channel Selection**

| IPSEL / IMSEL BITS | POSITIVE TERMINAL INPUT        | NEGATIVE TERMINAL INPUT |
|--------------------|--------------------------------|-------------------------|
| 0x0                | COMP0_IN0+                     | COMP0_IN0-              |
| 0x1                | COMP0_IN1+                     | COMP0_IN1-              |
| 0x2                | COMP0_IN2+                     | COMP0_IN2-              |
| 0x3                | DAC_OUT / COMP0_IN3+(1)        | -                       |
| 0x5                | -                              | Temperature Sensor      |
| 0x7                | COMP1 positive terminal signal | -                       |

**Table 8-11. COMP1 Input Channel Selection**

| IPSEL / IMSEL BITS | POSITIVE TERMINAL INPUT        | NEGATIVE TERMINAL INPUT |
|--------------------|--------------------------------|-------------------------|
| 0x0                | COMP1_IN0+                     | COMP1_IN0-              |
| 0x1                | COMP1_IN1+                     | COMP1_IN1- / VREF+      |
| 0x2                | COMP1_IN2+                     | COMP1_IN2-              |
| 0x3                | DAC_OUT / COMP1_IN3+(1)        | -                       |
| 0x7                | COMP0 positive terminal signal | -                       |

**Table 8-12. COMP2 Input Channel Selection**

| IPSEL / IMSEL BITS | POSITIVE TERMINAL INPUT | NEGATIVE TERMINAL INPUT |
|--------------------|-------------------------|-------------------------|
| 0x0                | COMP2_IN0+              | COMP2_IN0-              |
| 0x1                | COMP2_IN1+              | COMP2_IN1- / VREF-      |

(1) The connection to COMP0/1\_IN3+ and DAC\_OUT connects using the PA15 pin. When connecting DAC\_OUT to COMP0/1\_IN3+, avoid using external circuitry on the PA15 pin.

For more information about device analog connections, see [Section 8.33](#).

For more details, see the COMP chapter of the [MSPM0 G-Series 80MHz Microcontrollers Technical Reference Manual](#).

## 8.17 DAC

The 12-bit buffered digital-to-analog converter (DAC) in these devices converts a digital input value into an analog voltage to a buffered output channel and it supports the following key features:

- Up to 1Msps output sampling rate
- 8-bit or 12-bit voltage-output resolution
- Self-calibration option for offset error correction
- Straight binary or twos-complement data format
- Integrated sample time generator for generation of predefined sampling rates
- Integrated FIFO and support DMA operation
- One hardware trigger from event fabric for conversion
- Programmable voltage reference options:
  - Supply voltage (VDD)
  - External reference voltage (VREF IO)
  - Internal reference voltage (1.4V, 2.5V)

For more information about device analog connections, see [Section 8.33](#).

For more details, see the DAC chapter of the [MSPM0 G-Series 80MHz Microcontrollers Technical Reference Manual](#).

## 8.18 Security

This device offers several security features, including:

- Debug security
- Device identify
- AES-128/256 accelerator with support for GCM/GMAC, CCM/CBC-MAC, CBC, CTR
- Flexible firewalls for protecting code and data
  - Flash write-erase protection
  - Flash read-execute protection
  - Flash IP protection
  - SRAM write-execute mutual exclusion
- Secure boot
- Secure firmware update
- Secure key storage for up to four AES keys
- Customer secure code
- Hardware monotonic counter
- True random number generator (TRNG)
- Cyclic redundancy checker (CRC-16, CRC-32) with support for custom polynomial

For more details, see the Security chapter of the [MSPM0 G-Series 80MHz Microcontrollers Technical Reference Manual](#).

## 8.19 TRNG

The true random number generator (TRNG) utilizes an internal circuit to generate 32-bit random numbers. The TRNG is intended to be used as a source to a deterministic random number generator (DRNG) to build a FIPS-140-2 compliant system. Key features of the TRNG include:

- Generation of 32-bit random numbers
- A new 32-bit number may be generated every  $32 * 4 = 128$  TRNG clock cycles
- Built-in health tests
- Available in RUN and SLEEP modes

For more details, see the TRNG chapter of the [MSPM0 G-Series 80MHz Microcontrollers Technical Reference Manual](#).

## 8.20 AESADV

The AES advanced (AESADV) accelerator module performs encryption and decryption of 128-bit data blocks with a 128-bit or 256-bit key in hardware according to the advanced encryption standard (AES). AES is a symmetric-key block cipher algorithm specified in FIPS PUB 197.

The AESADV accelerator features include:

- AES operation with 128-bit and 256-bit keys
- Key scheduling in hardware
- Enc/decrypt only modes: CBC, CFB-1, CFB-8, CFB-128, OFB-128, CTR/ICM
- Authentication only modes: CBC-MAC, CMAC
- AES-CCM
- AES-GCM
- AES-CCM and AES-GCM modes support continuation with hold/resume of payload data
- 32-bit word access to provide key data, input data, and output data
- AESADV ready interrupt
- DMA triggers for input/output data
- Supported in RUN and SLEEP (see the *Operating Modes* section of the device technical reference manual)

For more details, see the AESADV chapter of the [MSPM0 G-Series 80MHz Microcontrollers Technical Reference Manual](#).

## 8.21 Keystore

The Keystore controller provides secure management of the Advanced Encryption Engine (AES) keys. The use-model of the keystore controller is to securely deposit keys into it during the execution of customer secure code, and have the AES engine access them subsequently in a secure manner without leaking any key data to observers. Both 128 and 256-bit keys can be stored in the keystore's key slots. The keystore and its interaction with the AES engine are designed for secure operation including thwarting partial key modification attacks.

- Support for storage of up to 4 keys

For more details, see the KEYSTORE chapter of the [MSPM0 G-Series 80MHz Microcontrollers Technical Reference Manual](#).

## 8.22 CRC-P

The cyclical redundancy check (CRC) module provides a signature for an input data sequence. Key features of the CRC module include:

- Support for 16-bit CRC based on CRC16-CCITT
- Support for 32-bit CRC based on CRC32-ISO3309
- Support for bit reversal
- Support for custom polynomials

For more details, see the CRC chapter of the [MSPM0 G-Series 80MHz Microcontrollers Technical Reference Manual](#).

## 8.23 MATHACL

The math accelerator (MATHACL) is a collection of hardware accelerated 32-bit math functions to improve system computational throughput. The MATHACL offloads mathematical calculations performed by the CPU to improve efficiency and CoreMark performance.

The following hardware functions are available in the MATHACL:

- Sine/Cosine (SINCOS)
- Arc tangent (ATAN2)
- Square root (SQRT)
- Division (DIV)
- Multiply with 32-bit result (MPY32)

- Square with 32-bit result (SQUARE32)
- Multiply with 64-bit result (MPY64)
- Square with 64-bit result (SQUARE64)
- Multiply-accumulate (MAC)
- Square-accumulate (SAC)

For more details, see the MATHACL chapter of the [MSPM0 G-Series 80MHz Microcontrollers Technical Reference Manual](#).

## 8.24 UART

The UART peripherals (UART0-UART1, UART3-UART7) provide the following key features:

- Standard asynchronous communication bits for start, stop, and parity
- Fully programmable serial interface
  - 5, 6, 7 or 8 data bits
  - Even, odd, stick, or no-parity -bit generation and detection
  - 1 or 2 stop bit generation
  - Line-break detection
  - Glitch filter on the input signals
  - Programmable baud rate generation with oversampling by 16, 8 or 3
  - Local Interconnect Network (LIN) mode support
- Separated transmit and receive FIFOs support DAM data transfer
- Support transmit and receive loopback mode operation
- See [Table 8-13](#) for detail information on supported protocols

**Table 8-13. UART Features**

| UART Features                       | UART0, UART7 (Extend, low-power) | UART1 (Main, low-power) | UART3-UART6 (Main) |
|-------------------------------------|----------------------------------|-------------------------|--------------------|
| Active in Stop and Standby Mode     | Yes                              | Yes                     | -                  |
| Separate transmit and receive FIFOs | Yes                              | Yes                     | Yes                |
| FIFO entry depth                    | 4                                | 4                       | 4                  |
| Support hardware flow control       | Yes                              | Yes                     | Yes                |
| Support 9-bit configuration         | Yes                              | Yes                     | Yes                |
| Support LIN mode                    | Yes                              | -                       | -                  |
| Support DALI                        | Yes                              | -                       | -                  |
| Support IrDA                        | Yes                              | -                       | -                  |
| Support ISO7816 Smart Card          | Yes                              | -                       | -                  |
| Support Manchester coding           | Yes                              | -                       | -                  |

For more details, see the UART chapter of the [MSPM0 G-Series 80MHz Microcontrollers Technical Reference Manual](#).

## 8.25 I2C

The inter-integrated circuit interface (I<sup>2</sup>C) peripherals in these devices provide bidirectional data transfer with other I2C devices on the bus and support the following key features:

- 7-bit and 10-bit addressing mode with multiple 7-bit target addresses
- Multiple-controller transmitter or receiver mode
- Target receiver or transmitter mode with configurable clock stretching
- Support Standard-mode (Sm), with a bit rate up to 100 kbit/s
- Support Fast-mode (Fm), with a bit rate up to 400 kbit/s
- Support Fast-mode Plus (Fm+), with a bit rate up to 1 Mbit/s
  - Supported on open drain IOs (ODIO) and high-drive (HDIO) IOs only
- Separated transmit and receive FIFOs support DMA data transfer
- Support SMBus 3.0 with PEC, ARP, timeout detection and host support

- Wakeup from low power mode on address match
- Support analog and digital glitch filter for input signal glitch suppression
- 8-entry transmit and receive FIFOs

For more details, see the I2C chapter of the [MSPM0 G-Series 80MHz Microcontrollers Technical Reference Manual](#).

## 8.26 SPI

The serial peripheral interface (SPI) peripherals in these devices support the following key features:

- Support MCLK/2 bit rate and up to 32Mbits/s in both controller and peripheral mode<sup>1</sup>
- Configurable as a controller or a peripheral
- Configurable chip select for both controller and peripheral
- Programmable clock prescaler and bit rate
- Programmable data frame size from 4 bits to 16 bits (controller mode) and 7 bits to 16 bit(peripheral mode)
- Supports PACKEN feature that allows the packing of 2 16 bit FIFO entries into a 32-bitvalue to improve CPU performance
- Transmit and receive FIFOs (4 entries each with 16 bits per entry) supporting DMA data transfer
- Supports TI mode, Motorola mode and National Microwire format

For more details, see the SPI chapter of the [MSPM0 G-Series 80MHz Microcontrollers Technical Reference Manual](#).

## 8.27 CAN-FD

The controller area network (CAN) controller enables communication with a CAN2.0A, CAN2.0B, or CAN-FD bus and is compliant to ISO 11898-1:2015 standard supporting up to 5M bit/s bit rate. Key features of the CAN-FD peripheral include:

- Full support for 64-byte CAN-FD frames
- Dedicated 1kB message SRAM with ECC
- Configurable transmit FIFO, transmit queue and event FIFO (up to 32 elements)
- Up to 32 dedicated transmit buffers and 64 dedicated receive buffers
- Two configurable receive FIFOs (up to 64 elements each)
- Up to 128 filter elements
- Two interrupt lines
- Power-down and wake-up support
- Timestamp counter

For more details, see the CAN-FD chapter of the [MSPM0 G-Series 80MHz Microcontrollers Technical Reference Manual](#).

## 8.28 Low-Frequency Sub System (LFSS)

The Low-Frequency Sub-System (LFSS) is a sub-system which combines several functional peripherals under one shared subsystem. These peripherals are clocked by the low frequency clock (LFCLK) or need to be active during low power modes. The LFCLK has a typical frequency of 32kHz and is mainly intended for long-term timekeeping.

LFSS\_B is the specific LFSS variant in this device and contains the following components:

- [Real-time clock \(RTC\\_B\)](#) with additional prescaler extension and timestamp captures
- An asynchronous [Independent Watchdog Timer \(IWDT\)](#)

For more details, see the LFSS chapter of the [MSPM0 G-Series 80MHz Microcontrollers Technical Reference Manual](#).

<sup>1</sup> Only SPI signals on HSIO pins support data rate > 16 Mbits/s; see [Pin Diagrams](#) for HSIO pins.

## 8.29 RTC\_B

The RTC\_B instance of the real-time clock operates off of a 32kHz input clock source (typically a low frequency crystal) and provides a time base to the application with multiple options for interrupts to the CPU. The RTC\_B provides common key features in relation to the Low-Frequency Sub System (LFSS).

Common key features of the RTC\_B include:

- Counters for seconds, minutes, hours, day of the week, day of the month, month, and year
- Binary or BCD format
- Leap-year handling
- One customizable alarm interrupt based on minute, hour, day of the week, and day of the month
- Interval alarm interrupt to wake every minute, every hour, at midnight, or at noon
- Interval alarm interrupt providing periodic wake-up at 4096, 2048, 1024, 512, 256, or 128 Hz
- Interval alarm interrupt providing periodic wake-up at 64, 32, 16, 8, 4, 2, 1, and 0.5 Hz
- Calibration for crystal offset error (up to +/- 240ppm)
- Compensation for temperature drift (up to +/- 240ppm)
- RTC clock output to pin for calibration

Table 8-14 shows the RTC features supported in this device.

**Table 8-14. RTC\_B Key Features**

| RTC Features   | RTC_B |
|--|-------|
| Power enable register  | -     |
| Real-time clock and calendar mode providing seconds, minutes, hours, day of week, day of month, and year   | Yes   |
| Selectable binary or binary-coded decimal (BCD) format   | Yes   |
| Leap-year correction (valid for year 1901 through 2099)  | Yes   |
| Two customizable calendar alarm interrupts based on minute, hour, day of the week, and day of the month  | Yes   |
| Interval alarm interrupt to wake every minute, every hour, at midnight, or at noon   | Yes   |
| Periodic interrupt to wake at 4096, 2048, 1024, 512, 256, or 128Hz   | Yes   |
| Periodic interrupt to wake at 64, 32, 16, 8, 4, 2, 1, and 0.5Hz  | Yes   |
| Interrupt capability down to STANDBY mode with STOPCLKSTBY   | Yes   |
| Calibration for crystal offset error and crystal temperature drift (up to ±240 ppm total)  | Yes   |
| RTC clock output to pin for calibration (GPIO)   | Yes   |
| RTC clock output to pin for calibration (TIO)  | -     |
| Three -bit prescaler for heartbeat function with interrupt generation  | -     |
| RTC external clock selection of untrimmed 32kHz, trimmed 512Hz, 256Hz or 1Hz   | -     |
| RTC time stamp capture upon detection of a timer stamp event, including: <ul style="list-style-type: none"> <li>• TIO event</li> <li>• VDD fail event</li> </ul> | -     |
| RTC counter lock function  | -     |

For more details, see the RTC chapter of the [MSPM0 G-Series 80MHz Microcontrollers Technical Reference Manual](#).

### 8.30 IWDT\_B

The independent watchdog timer (IWDT) in the LFSS is a device-independent supervisor which monitors code execution and overall hang up scenarios of the device. Due to the nature of LFSS, this IWDT has its own system independent clock source. If the application software does not successfully reset the watchdog within the programmed time, the watchdog generates a POR reset to the device.

Key features of the IWDT include:

- A 25-bit counter
- Counter driven from LFOSC (fixed 32kHz clock path) with a programmable clock divider
- Eight selectable watchdog timer periods (2ms to 2hr)

For more details, see the IWDT chapter of the [MSPM0 G-Series 80MHz Microcontrollers Technical Reference Manual](#).

### 8.31 WWDT

The windowed watchdog timer (WWDT) can be used to supervise the operation of the device, specifically code execution. The WWDT can be used to generate a reset or an interrupt if the application software does not successfully reset the watchdog within a specified window of time. Key features of the WWDT include:

- 25-bit counter
- Programmable clock divider
- Eight software selectable watchdog timer periods
- Eight software selectable window sizes
- Support for stopping the WWDT automatically when entering a sleep mode
- Interval timer mode for applications which do not require watchdog functionality

For more details, see the WWDT chapter of the [MSPM0 G-Series 80MHz Microcontrollers Technical Reference Manual](#).

### 8.32 Timers (TIMx)

There are two types of timer peripherals in these devices support that following key features: TIMGx (general-purpose timer) and TIMAx (advanced timer). TIMGx is a subset of TIMAx, which means common features between timer instances are software compatible. For specific configurations, see [Table 8-15](#):

Specific features for the general-purpose timer (**TIMGx**) include:

- 16-/32-bit up, down, up-down or down-up counter, with repeat-reload mode
- Selectable and configurable clock source
- 8-bit programmable prescaler to divide the counter clock frequency
- Two independent channels for
  - Output compare
  - Input capture
  - PWM output
  - One-shot mode
- Shadow CC register available in TIMG6, TIMG7 and TIMG12
- Shadow register for load available in TIMG6, TIMG7
- Support quadrature encoder interface (QEI) and Hall sensor input logic available in TIMG8, TIMG9
- Support synchronization and cross trigger among different TIMx instances in the same power domain
- Support interrupt/DMA trigger generation and cross peripherals (such as ADC) trigger capability

Specific features for the advanced timer (**TIMAx**) include:

- 16-bit down or up-down counter, with repeat-reload mode
- Selectable and configurable clock source
- 8-bit programmable prescaler to divide the counter clock frequency
- Repeat counter to generate an interrupt or event only after a given number of cycles of the counter
- Up to four independent channels for



- Output compare
- Input capture
- PWM output
- One-shot mode
- Shadow register for load and CC register available in both TIMA0 and TIMA1
- Complementary output PWM with programmable dead band insertion
- Asymmetric PWM
- Configurable fault handling mechanism for
  - Fast PWM responses (<40ns) to external fault inputs or comparator events
  - Outputting signals in a safe user-defined state when a latched fault condition has occurred
- Support synchronization and cross trigger among different TIMx instances in the same power domain
- Support interrupt and DMA trigger generation and cross peripherals (such as ADC) trigger capability
- Two additional capture/compare channels for internal events

**Table 8-15. TIMx Configurations**

| TIMER NAME | POWER DOMAIN | RESOLUTION | PRESCALE R | REPEAT COUNTER | CAPTURE / COMPARE CHANNELS | PHASE LOAD | SHADOW LOAD | SHADOW CC | DEADBAND | FAULT | QEI |
|------------|--------------|------------|------------|----------------|----------------------------|------------|-------------|-----------|----------|-------|-----|
| TIMG0      | PD0          | 16 bit     | 8 bit      | –              | 2                          | –          | –           | –         | –        | –     | –   |
| TIMG6      | PD1          | 16 bit     | 8 bit      | –              | 2                          | –          | –           | –         | –        | –     | –   |
| TIMG7      | PD1          | 16 bit     | 8 bit      | –              | 2                          | –          | Yes         | Yes       | –        | –     | –   |
| TIMG8      | PD0          | 16 bit     | 8 bit      | –              | 2                          | –          | –           | –         | –        | –     | Yes |
| TIMG9      | PD0          | 16 bit     | 8 bit      | –              | 2                          | –          | –           | –         | –        | –     | Yes |
| TIMG12     | PD1          | 32 bit     | –          | –              | 2                          | –          | –           | Yes       | –        | –     | –   |
| TIMG14     | PD0          | 16 bit     | 8 bit      | –              | 4                          | –          | –           | –         | –        | –     | –   |
| TIMA0      | PD1          | 16 bit     | 8 bit      | 8 bit          | 4                          | Yes        | Yes         | Yes       | Yes      | Yes   | –   |
| TIMA1      | PD1          | 16 bit     | 8 bit      | 8 bit          | 2                          | Yes        | Yes         | Yes       | Yes      | Yes   | –   |

**Table 8-16. TIMx Cross Trigger Map (PD1)**

| TSEL.ETSEL Selection | TIMA0                           | TIMA1        | TIMG6        | TIMG7        | TIMG12       |
|----------------------|---------------------------------|--------------|--------------|--------------|--------------|
| 0                    | TIMA0.TRIG0                     | TIMA0.TRIG0  | TIMA0.TRIG0  | TIMA0.TRIG0  | TIMA0.TRIG0  |
| 1                    | TIMA1.TRIG0                     | TIMA1.TRIG0  | TIMA1.TRIG0  | TIMA1.TRIG0  | TIMA1.TRIG0  |
| 2                    | TIMG6.TRIG0                     | TIMG6.TRIG0  | TIMG6.TRIG0  | TIMG6.TRIG0  | TIMG6.TRIG0  |
| 3                    | TIMG7.TRIG0                     | TIMG7.TRIG0  | TIMG7.TRIG0  | TIMG7.TRIG0  | TIMG7.TRIG0  |
| 4                    | TIMG12.TRIG0                    | TIMG12.TRIG0 | TIMG12.TRIG0 | TIMG12.TRIG0 | TIMG12.TRIG0 |
| 5                    | TIMG8.TRIG0                     | TIMG8.TRIG0  | TIMG8.TRIG0  | TIMG8.TRIG0  | TIMG8.TRIG0  |
| 6                    | TIMG9.TRIG0                     | TIMG9.TRIG0  | TIMG9.TRIG0  | TIMG9.TRIG0  | TIMG9.TRIG0  |
| 7 to 15              | Reserved                        |              |              |              |              |
| 16                   | Event Subscriber Port 0 (FSUB0) |              |              |              |              |
| 17                   | Event Subscriber Port 1 (FSUB1) |              |              |              |              |
| 18 to 31             | Reserved                        |              |              |              |              |

**Table 8-17. TIMx Cross Trigger Map (PD0)**

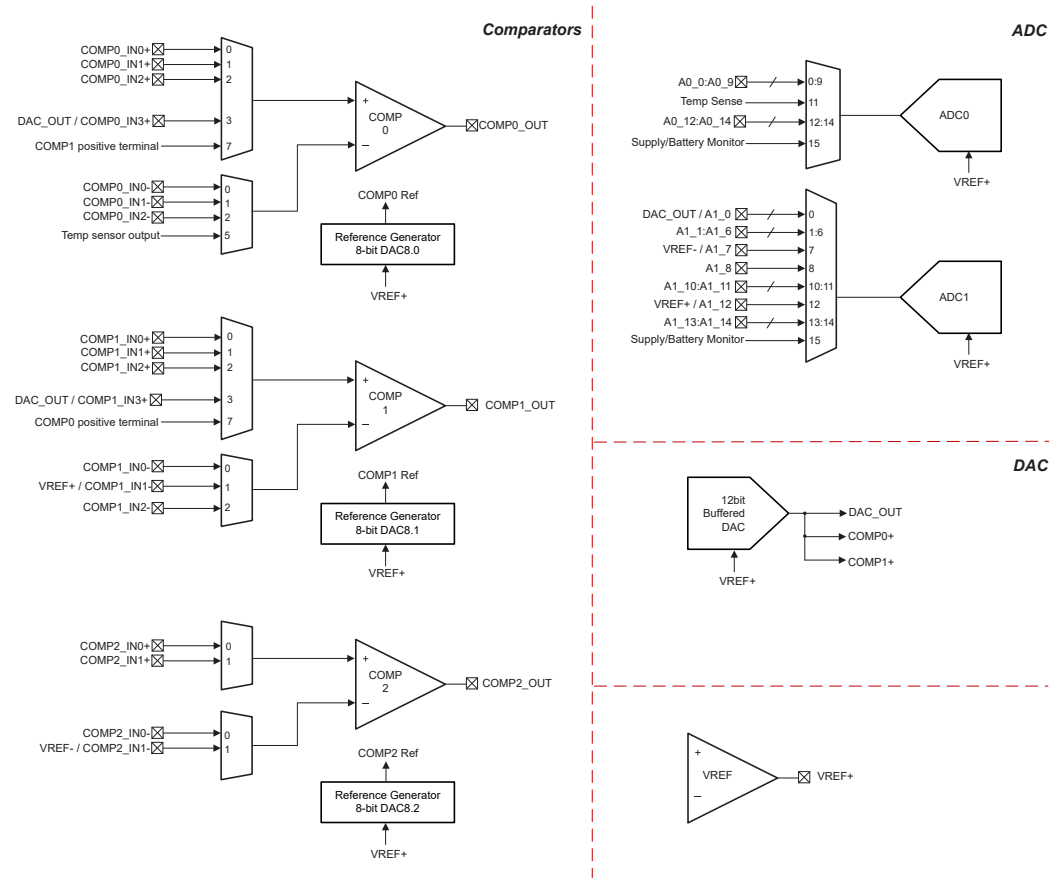
| TSEL.ETSEL Selection | TIMG0                           | TIMG8        | TIMG9        | TIMG14       |
|----------------------|---------------------------------|--------------|--------------|--------------|
| 0                    | TIMG0.TRIG0                     | TIMG0.TRIG0  | TIMG0.TRIG0  | TIMG0.TRIG0  |
| 1                    | TIMG8.TRIG0                     | TIMG8.TRIG0  | TIMG8.TRIG0  | TIMG8.TRIG0  |
| 2                    | TIMG14.TRIG0                    | TIMG14.TRIG0 | TIMG14.TRIG0 | TIMG14.TRIG0 |
| 3                    | TIMG9.TRIG0                     | TIMG9.TRIG0  | TIMG9.TRIG0  | TIMG9.TRIG0  |
| 4 to 15              | Reserved                        |              |              |              |
| 16                   | Event Subscriber Port 0 (FSUB0) |              |              |              |
| 17                   | Event Subscriber Port 1 (FSUB1) |              |              |              |
| 18 to 31             | Reserved                        |              |              |              |



For more details, see the TIMx chapter of the [MSPM0 G-Series 80MHz Microcontrollers Technical Reference Manual](#).

### 8.33 Device Analog Connections

Figure 8-3 shows the internal analog connection of the device.



**Figure 8-3. Device Analog Connection**

**Note**

Enabling DAC\_OUT connects to PA15 therefore it is not recommended to have any external signal on PA15 when using DAC\_OUT.

### 8.34 Input/Output Diagrams

The IOMUX manages the selection of which peripheral function is to be used on a digital IO. It also provides the controls for the output driver, input path, and the wake-up logic for wakeup from SHUTDOWN mode. For more information, refer to the IOMUX section of the [MSPM0 G-Series 80MHz Microcontrollers Technical Reference Manual](#).

The mixed-signal IO pin slice diagram for a full featured IO pin is shown in [Figure 8-4](#). Not all pins will have analog functions, wake-up logic, drive strength control, and pullup or pulldown resistors available. See the device-specific data sheet for detailed information on what features are supported for a specific pin.

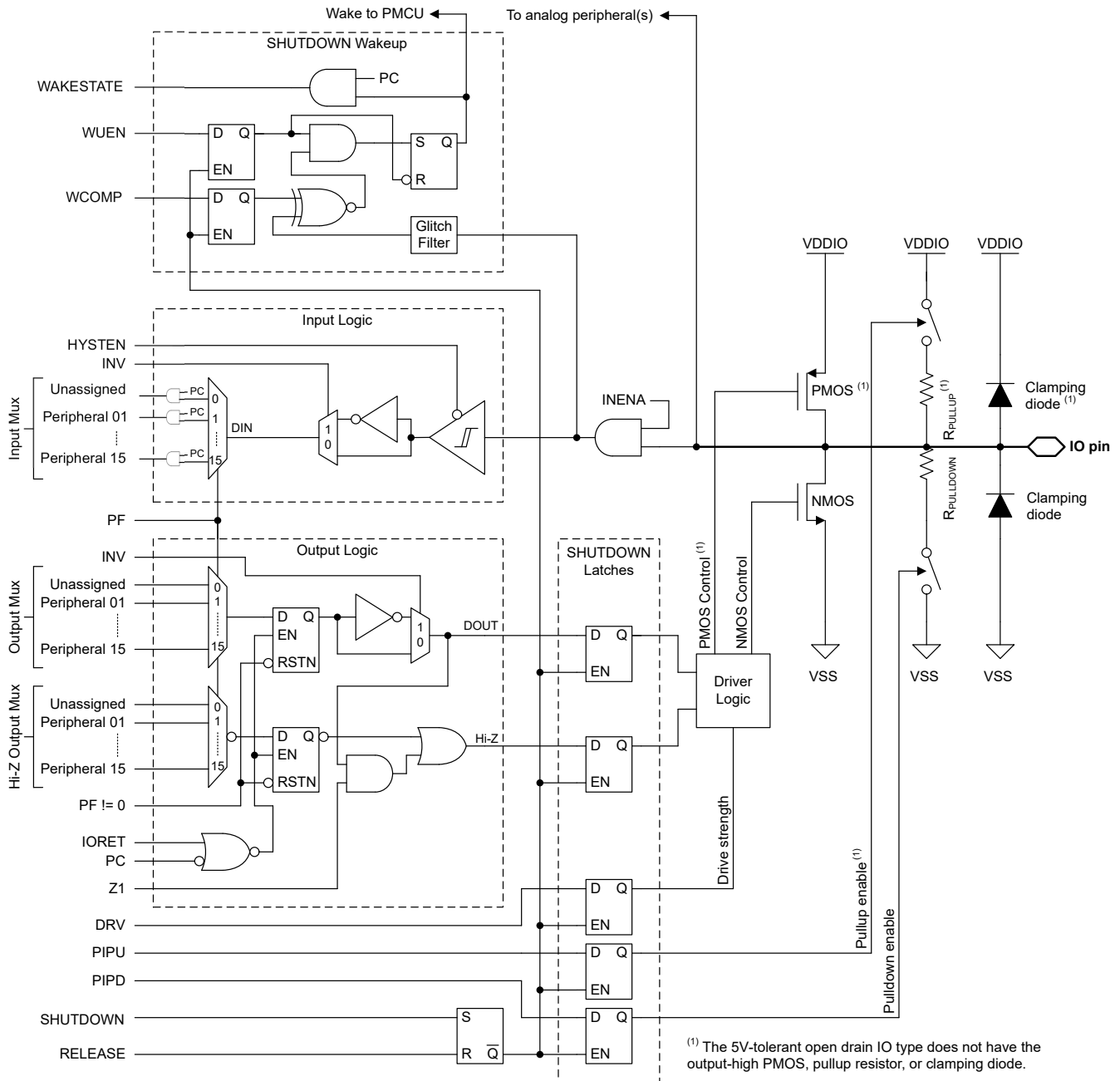


Figure 8-4. Superset Input/Output Diagram

### 8.35 Serial Wire Debug Interface

A serial wire debug (SWD) two-wire interface is provided via an ARM compatible serial wire debug port (SW-DP) to enable access to multiple debug functions within the device. For a complete description of the debug functionality offered on MSPM0 devices, see the DEBUG chapter of the [MSPM0 G-Series 80MHz Microcontrollers Technical Reference Manual](#).

**Table 8-18. Serial Wire Debug Pin Requirements and Functions**

| DEVICE SIGNAL | DIRECTION    | SWD FUNCTION                             |
|---------------|--------------|--|
| SWCLK         | Input        | Serial wire clock from debug probe       |
| SWDIO         | Input/Output | Bi-directional (shared) serial wire data |

### 8.36 Boot Strap Loader (BSL)

The boot strap loader (BSL) enables configuration of the device as well as programming of the device memory through a UART or I2C serial interface. Access to the device memory and configuration through the BSL is protected by a 256 bit user-defined password, and the BSL can be completely disabled in the device configuration, if desired. The BSL is enabled by default from TI to support use of the BSL for production programming.

A minimum of two pins are required to use the BSL: the BSLRX and BSLTX signals (for UART), or the BSLSCL and BSLSDA signals (for I<sup>2</sup>C). Additionally, one or two additional pins (BSL\_invoke and NRST) may be used for controlled invocation of the bootloader by an external host.

If enabled, the BSL may be invoked (started) in the following ways:

- The BSL is invoked during the boot process if the BSL\_invoke pin state matches the defined BSL\_invoke logic level. If the device fast boot mode is enabled, this invocation check is skipped. An external host can force the device into the BSL by asserting the invoke condition and applying a reset pulse to the NRST pin to trigger a BOOTRST, after which the device will verify the invoke condition during the reboot process and start the BSL if the invoke condition matches the expected logic level.
- The BSL is automatically invoked during the boot process if the reset vector and stack pointer are left unprogrammed. As a result, a blank device from TI will invoke the BSL during the boot process without any need to provide a hardware invoke condition on the BSL\_invoke pin. This enables production programming using just the serial interface signals.
- The BSL may be invoked at runtime from application software by issuing a SYSRST with BSL entry command.

**Table 8-19. BSL Pin Requirements and Functions**

| DEVICE SIGNAL | CONNECTION        | BSL FUNCTION  |
|---------------|-------------------|---|
| BSLRX         | Required for UART | UART receive signal (RXD), an input   |
| BSLTX         | Required for UART | UART transmit signal (TXD) an output  |
| BSLSCL        | Required for I2C  | I <sup>2</sup> C BSL clock signal (SCL)   |
| BSLSDA        | Required for I2C  | I <sup>2</sup> C BSL data signal (SDA)  |
| BSL_invoke    | Optional          | Active-high digital input used to start the BSL during boot   |
| NRST          | Optional          | Active-low reset pin used to trigger a reset and subsequent check of the invoke signal (BSL_invoke) |

For a complete description of the BSL functionality and command set, see the [MSPM0 boot strap loader user's guide](#).

### 8.37 Device Factory Constants

All devices include a memory-mapped FACTORY region which provides read-only data describing the capabilities of a device as well as any factory-provided trim information for use by application software. Please

refer to Factory Constants chapter of the [MSPM0 G-Series 80MHz Microcontrollers Technical Reference Manual](#) for more information.

**Table 8-20. DEVICEID**

DEVICEID address is 0x41C4.0004, PARTNUM is bit 12 to 27, MANUFACTURER is bit 1 to 11.

| Device  | PARTNUM | MANUFACTURER |
|---|---------|--------------|
| MSPM0G1518, MSPM0G1519,<br>MSPM0G3518, MSPM0G3519 | 0xBBA9  | 0x17         |

**Table 8-21. USERID**

USERID address is 0x41C4.0008, PART is bit 0 to 15, VARIANT is bit 16 to 23

| Device          | Part   | Variant |
|-----------------|--------|---------|
| MSPM0G1518SPMR  | 0x2120 | 0x13    |
| MSPM0G1518SPNR  | 0x2120 | 0x16    |
| MSPM0G1518SPTR  | 0x2120 | 0x12    |
| MSPM0G1518SPZR  | 0x2120 | 0x18    |
| MSPM0G1518SRGZR | 0x2120 | 0x11    |
| MSPM0G1518SRHBR | 0x2120 | 0x10    |
| MSPM0G1518SZAWR | 0x2120 | 0x19    |
| MSPM0G1519SPMR  | 0x2407 | 0x13    |
| MSPM0G1519SPNR  | 0x2407 | 0x16    |
| MSPM0G1519SPTR  | 0x2407 | 0x12    |
| MSPM0G1519SPZR  | 0x2407 | 0x18    |
| MSPM0G1519SRGZR | 0x2407 | 0x11    |
| MSPM0G1519SRHBR | 0x2407 | 0x10    |
| MSPM0G1519SZAWR | 0x2407 | 0x19    |
| MSPM0G3518SPMR  | 0x1205 | 0x13    |
| MSPM0G3518SPNR  | 0x1205 | 0x15    |
| MSPM0G3518SPTR  | 0x1205 | 0x12    |
| MSPM0G3518SPZR  | 0x1205 | 0x16    |
| MSPM0G3518SRGZR | 0x1205 | 0x11    |
| MSPM0G3518SRHBR | 0x1205 | 0x10    |
| MSPM0G3518SZAWR | 0x1205 | 0x19    |
| MSPM0G3519SPMR  | 0x1508 | 0x13    |
| MSPM0G3519SPNR  | 0x1508 | 0x15    |
| MSPM0G3519SPTR  | 0x1508 | 0x12    |
| MSPM0G3519SPZR  | 0x1508 | 0x16    |
| MSPM0G3519SRGZR | 0x1508 | 0x11    |
| MSPM0G3519SRHBR | 0x1508 | 0x10    |
| MSPM0G3519SZAWR | 0x1508 | 0x19    |

## 8.38 Identification

### Revision and Device Identification

The hardware revision and device identification values are stored in the memory-mapped FACTORY region, refer to Device Factory Constants section, which provides read-only data describing the capabilities of a device as well as any factory-provided trim information for use by application software. Refer to Factory Constants chapter of the [MSPM0 G-Series 80MHz Microcontrollers Technical Reference Manual](#) for more information.

The device revision and identification information are also included as part of the top-side marking on the device package. The device-specific errata sheet describes these markings (see [Section 10.4](#))

## 9 Applications, Implementation, and Layout

### 9.1 Typical Application

#### Note

Information in the following applications sections is not part of the TI component specification, and TI does not warrant its accuracy or completeness. TI's customers are responsible for determining suitability of components for their purposes, as well as validating and testing their design implementation to confirm system functionality.

#### 9.1.1 Schematic

TI recommends connecting a combination of a 10 $\mu$ F and a 0.1 $\mu$ F low-ESR ceramic decoupling capacitor across the VDD and VSS pins, as well as placing these capacitors as close as possible to the supply pins that they decouple (within a few millimeters) to achieve a minimal loop area. The 10 $\mu$ F bulk decoupling capacitor is a recommended value for most applications, but this capacitance may be adjusted if needed based upon the PCB design and application requirements. For example, larger bulk capacitors can be used, but this can affect the supply rail ramp-up time.

The NRST reset pin must be pulled up to VDD (supply level) for the device to release from RESET state and start the boot process. TI recommends connecting an external 47k $\Omega$  pullup resistor with a 10nF pulldown capacitor for most applications, enabling the NRST pin to be controlled by another device or a debug probe.

The SYSOSC frequency correction loop (FCL) circuit utilizes an external 100k $\Omega$  with 0.1% tolerance resistor with a temperature coefficient (TCR) of 25ppm/C or better populated between the ROSC pin and VSS. This resistor establishes a reference current to stabilize the SYSOSC frequency through a correction loop. This resistor is required if the FCL feature is used for higher accuracy, and it is not required if the SYSOSC FCL is not enabled. When the FCL mode is not used, the PA2 pin may be used as a digital input/output pin.

A 0.47 $\mu$ F tank capacitor is required for the VCORE pin and must be placed close to the device with minimum distance to the device ground.

For the 5V-tolerant open drain (ODIO), a pullup resistor is required to output high for I2C and UART functions, as the open drain IO only implement a low-side NMOS driver and no high-side PMOS driver. The 5V-tolerant open drain IO are fail-safe and may have a voltage present even if VDD is not supplied.

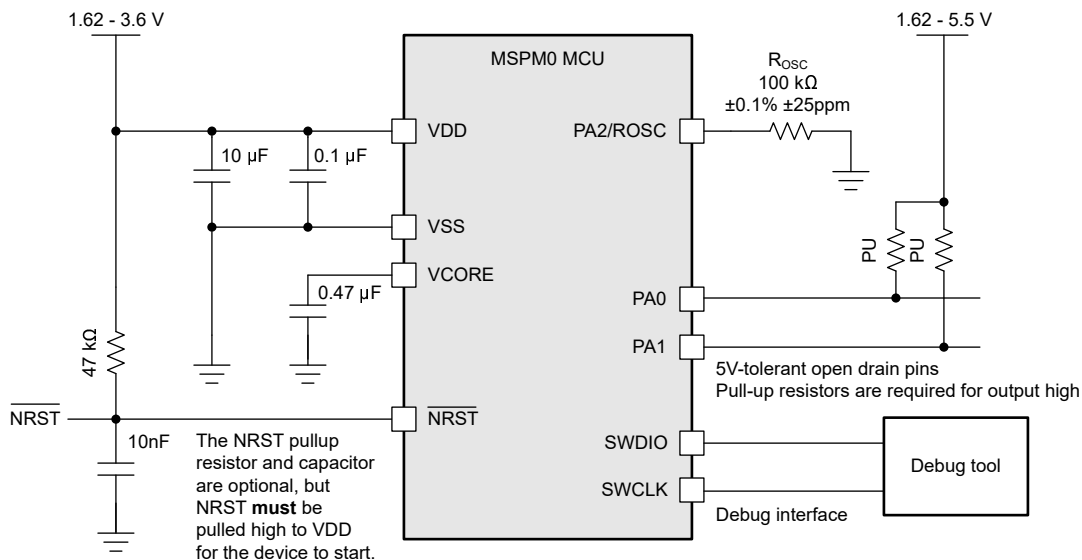


Figure 9-1. Basic Application Schematic

## 10 Device and Documentation Support

TI offers an extensive line of development tools. Tools and software to evaluate the performance of the device, generate code, and develop solutions are listed below.

### 10.1 Getting Started and Next Steps

For more information on the MSP low-power microcontrollers and the tools and libraries that are available to help with development, visit the Texas Instruments [Arm Cortex-M0+ MCUs](#) page.

### 10.2 Device Nomenclature

To designate the stages in the product development cycle, TI assigns prefixes to the part numbers of all MSP MCU devices and support tools. Each MSP MCU commercial family member has one of two prefixes: MSP or X. These prefixes represent evolutionary stages of product development from engineering prototypes (X) through fully qualified production devices (MSP).

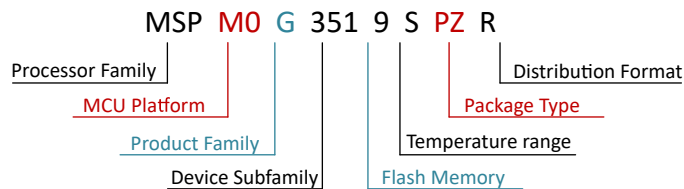
**X** – Experimental device that is not necessarily representative of the final device's electrical specifications

**MSP** – Fully qualified production device

**X** devices are shipped against the following disclaimer:

"Developmental product is intended for internal evaluation purposes." MSP devices have been characterized fully, and the quality and reliability of the device have been demonstrated fully. TI's standard warranty applies. Predictions show that prototype devices (X) have a greater failure rate than the standard production devices. TI recommends that these devices not be used in any production system because their expected end-use failure rate still is undefined. Only qualified production devices are to be used.

TI device nomenclature also includes a suffix with the device family name. This suffix indicates the temperature range, package type, and distribution format. [Figure 10-1](#) provides a legend for reading the complete device name.



**Figure 10-1. Device Nomenclature**

**Table 10-1. Device Nomenclature**

|                            |   |
|----------------------------|---|
| <b>Processor Family</b>    | MSP = Mixed-signal processor<br>X= Experimental silicon   |
| <b>MCU Platform</b>        | M0 = Arm based 32-bit M0+   |
| <b>Product Family</b>      | G = 80MHz frequency   |
| <b>Device Subfamily</b>    | 351 = 2x ADC, 3x COMP, 2x CAN-FD<br>151 = 2x ADC, 3x COMP   |
| <b>Flash Memory</b>        | 8 = 256KB<br>9= 512KB   |
| <b>Temperature Range</b>   |   |
| <b>Package Type</b>        | See the <a href="#">Device Comparison</a> section and <a href="https://www.ti.com/packaging">https://www.ti.com/packaging</a> |
| <b>Distribution Format</b> | T = Small reel<br>R = Large reel<br>No marking = Tube or tray   |



For orderable part numbers of MSP devices in different package types, see the Package Option Addendum of this document, [ti.com](http://ti.com), or contact your TI sales representative.

## 10.3 Tools and Software

### Design Kits and Evaluation Modules

[MSPM0 LaunchPad \(LP\) Boards: LP-MSPM0G3519](#) Empowers you to immediately start developing on the industry's best integrated analog and most cost-optimized general purpose MSPM0 MCU family. Exposes all device pins and functionality; includes some built-in circuitry, out-of-box software demos, and on-board XDS110 debug probe for programming/debugging/EnergyTrace.

The LP ecosystem includes dozens of [BoosterPack](#) stackable plug-in modules to extend functionality.

### Embedded Software

[MSPM0 Software Development Kit \(SDK\)](#) Contains software drivers, middleware libraries, documentation, tools, and code examples that create a familiar and easy user experience for all MSPM0 devices.

### Software Development Tools

[TI Developer Zone](#) Start your evaluation and development on a web browser without any installation. Cloud tools also have a downloadable, offline version.

[TI Resource Explorer](#) Online portal to TI SDKs. Accessible in CCS IDE or in TI Cloud Tools.

[SysConfig](#) Intuitive GUI to configure device and peripherals, resolve system conflicts, generate configuration code, and automate pin mux settings. Accessible in CCS IDE, in TI Cloud Tools or a standalone version. ([offline version](#))

[MSP Academy](#) Great starting point for all developers to learn about the MSPM0 MCU Platform with training modules that span a wide range of topics. Part of TIRex.

[GUI Composer](#) GUIs that simplify evaluation of certain MSPM0 features, such as configuring and monitoring a fully integrated analog signal chain without any code needed.

### IDE & compiler toolchains

[Code Composer Studio™ \(CCS\)](#) Code Composer Studio is an integrated development environment (IDE) for TI's microcontrollers and processors. It comprises a suite of tools used to develop and debug embedded applications. CCS is completely free to use and is available on Eclipse and Theia frameworks.

[IAR Embedded Workbench® IDE](#) IAR Embedded Workbench for Arm delivers a complete development toolchain for building and debugging embedded applications for MSPM0. The included IAR C/C++ Compiler generates highly optimized code for your application, and the C-SPY Debugger is a fully integrated debugger for source and disassembly level debugging with support for complex code and data breakpoint.

[Keil® MDK IDE](#) Arm Keil MDK is a complete debugger and C/C++ compiler toolchain for building and debugging embedded applications for MSPM0. Keil MDK includes a fully integrated debugger for source and disassembly level debugging. MDK provides full CMSIS compliance.

[TI Arm-Clang](#) TI Arm Clang is included in Code Composer Studio.

[GNU Arm Embedded Toolchain](#) The MSPM0 SDK supports development using the open-source Arm GNU Toolchain. Arm GCC is supported by Code Composer Studio (CCS).

## 10.4 Documentation Support

To receive notification of documentation updates, navigate to the device product folder on [ti.com](http://ti.com). Click on *Subscribe to updates* to register and receive a weekly digest of any product information that has changed. For change details, review the revision history included in any revised document.

The following documents describe the MSPM0 MCUs. Copies of these documents are available on the Internet at [www.ti.com](http://www.ti.com).

### Technical Reference Manual

[MSPM0 G-Series  
80MHz Microcontrollers  
Technical Reference  
Manual](#)

This manual describes the modules and peripherals of the MSPM0G family of devices. Each description presents the module or peripheral in a general sense. Not all features and functions of all modules or peripherals are present on all devices. In addition, modules or peripherals can differ in their exact implementation on different devices. Pin functions, internal signal connections, and operational parameters differ from device to device. See the device-specific data sheet for these details.

## 10.5 Support Resources

[TI E2E™ support forums](#) are an engineer's go-to source for fast, verified answers and design help — straight from the experts. Search existing answers or ask your own question to get the quick design help you need.

Linked content is provided "AS IS" by the respective contributors. They do not constitute TI specifications and do not necessarily reflect TI's views; see TI's [Terms of Use](#).

## 10.6 Trademarks

LaunchPad™, Code Composer Studio™, and TI E2E™ are trademarks of Texas Instruments.

Arm® and Cortex® are registered trademarks of Arm Limited.

All trademarks are the property of their respective owners.

## 10.7 Electrostatic Discharge Caution



This integrated circuit can be damaged by ESD. Texas Instruments recommends that all integrated circuits be handled with appropriate precautions. Failure to observe proper handling and installation procedures can cause damage.

ESD damage can range from subtle performance degradation to complete device failure. Precision integrated circuits may be more susceptible to damage because very small parametric changes could cause the device not to meet its published specifications.

## 10.8 Glossary

[TI Glossary](#) This glossary lists and explains terms, acronyms, and definitions.

## 11 Revision History

NOTE: Page numbers for previous revisions may differ from page numbers in the current version.

### Changes from November 1, 2024 to April 30, 2025 (from Revision \* (November 2024) to Revision A (April 2025))

|   | Page |
|---|------|
| • Added note to indicate that this device is targeting PSA-L1 certification.....  | 1    |
| • Updated Features description for quantity of timers available in low-power operation to four in standby mode for accuracy.....          | 1    |
| • Updated Features description for quantity of UART instances available in low-power operation to three in standby mode for accuracy..... | 1    |
| • Updated quantity of SPI instances which can support up to 32Mbit/s to one for accuracy.....   | 1    |
| • Clarified descriptions for each SRAM Bank0 and Bank1 availability for operating modes.....  | 1    |
| • Added device variants for 100_nFBGA_ZAW package as Preview.....   | 1    |
| • Added device variants for 42_DSBGA_YCJ package as Preview.....  | 1    |
| • Updated device variants for 100_nFBGA_ZAW package as released.....  | 1    |

|  |    |
|--|----|
| • Updated device comparison table to indicate 2x ADCs are present in all device variants.....  | 7  |
| • Updated device comparison table to outline quantity of UART/I2C/SPI in each device variant .....   | 7  |
| • Updated Device Comparison table to add MSPM0G1518SPM (tray-pack) variant.....  | 7  |
| • Updated Device Comparison table to add MSPM0G1518SPM (tray-pack) variant.....  | 7  |
| • Updated Absolute Maximum Ratings for I_VDD and I_VSS to reflect correct junction temperatures and also remove VDD>=2.7V condition.....                                   | 54 |
| • Added footnote to I_VDD and I_VSS guidelines for reduced current consumption when VDD supply voltage is low (e.g. 1.62V).....  | 54 |
| • Added ambient temperature rating to Absolute Maximum Ratings.....  | 54 |
| • Added ambient and junction temperature specifications to Recommended Operating Conditions.....   | 54 |
| • Updated Thermal Information section with accurate specification values per package variant.....  | 54 |
| • Updated Supply Current Characteristics to include maximum values and accurate typical values.....  | 54 |
| • Added Supply Current Characteristics parameter for per-MHz SLEEP current (assessed at 80MHz).....  | 54 |
| • Changed POR and BOR specifications to reflect accurate voltage thresholds for POR and coldboot BOR....   | 54 |
| • Changed Flash Memory Characteristics to allow for users to designate any 32kB sectors of flash memory to apply 100k cycles, rather than only the lower 32kB sectors..... | 54 |
| • Updated Timing Characteristics section with accurate specificaiton values and added wakeup time from SLEEP0 to run.....  | 54 |
| • Updated System Oscillator specifications with accurate values .....  | 54 |
| • Removed SYSOSC Typical Frequency Accuracy Figure .....   | 54 |
| • Updated test condition for SYSPLL start-up time to indicate PDIV and QDIV configuration.....   | 54 |
| • Updated Digital IO electrical characteristics to reflect correct ambient temperature conditions.....   | 54 |
| • Added rise/fall time specifications to Digital IO switching characteristics .....  | 54 |
| • Added f_max specifications for HDIO DRV=1 condition in Digital IO switching characteristics.....   | 54 |
| • Changed ADC electrical characteristics for ENOB and SNR to improve specifications and indicate f_in frequency as test condition.....                                     | 54 |
| • Changed ADC specifications for Offset error from +/- 2mV to +/- 3.5mV.....   | 54 |
| • Changed ADC specifications for Gain error from +/- 3LSB to +/- 4LSB .....  | 54 |
| • Updated Temperature Sensor conditions to reflect correct VREF configuration and settling time.....   | 54 |
| • Updated Temperature Sensor coefficient specification values .....  | 54 |
| • Changed VREF electrical characteristics for IVREF and TCVREF specification values.....   | 54 |
| • Changed Comparator electrical characteristics for Icomp .....  | 54 |
| • Updated SPI specifications to reflect corrected values .....   | 54 |
| • Updated Supported Functionality by Operating Mode table for accuracy and organization.....   | 77 |
| • Added detailed DMA Features table to DMA section .....   | 80 |
| • Updated Flash Memory section to indicate that any 32kB sectors can be selected for high-endurance operation .....  | 86 |
| • Removed text from SRAM section regarding usage of DMA with SRAM ECC protection.....  | 86 |
| • Updated description in SRAM section regarding write-execute user operation.....  | 86 |
| • Updated ADC description section to reflect correct quantity of result storage registers.....   | 87 |
| • Updated Temperature Sensor section to reflect correct test conditions for settling time and VREF configuration.....  | 88 |
| • Updated Security section to list all security features present in this device .....  | 90 |
| • Updated Keystore section to indicate that up to 4 keys are supported.....  | 91 |
| • Updated UART section to correctly list UART instances present in this device .....   | 92 |
| • Updated SPI section to reference MCLK rather than ULPCLK.....  | 93 |
| • Updated LFSS section to indicate presence of LFSS_B and RTC_B variants.....  | 93 |
| • Added Cross Trigger Map to Timers section.....   | 95 |

**Changes from April 30, 2025 to October 30, 2025 (from Revision A (April 2025) to Revision B (Oct 2025))**

**Page**

|  |   |
|--|---|
| • Updated device variants for 100_nFBGA_ZAW package as released..... | 1 |
|--|---|

---

|  |     |
|--|-----|
| • Updated Device Comparison table to add MSPM0G1518SPM (tray-pack) variant.....                  | 7   |
| • Updated Device Comparison table to add MSPM0G1518SPM (tray-pack) variant.....                  | 7   |
| • Added MSPM0G1518 in tray format to table.....  | 9   |
| • Added YCJ pin map.....   | 10  |
| • Added ZAW package thermal characteristics.....   | 54  |
| • Removed slew rate foot note with internal test condition from POR and BOR table .....          | 54  |
| • Added footnotes 5 and 6 to clarify test conditions, enabling users to reproduce test case..... | 54  |
| • Added footnote 3 for SYSPLL table to give performance recommendation.....                      | 54  |
| • Added YCJ (WCSP) and ZAW (nFBGA) package drawings.....   | 130 |

---

## 12 Mechanical, Packaging, and Orderable Information

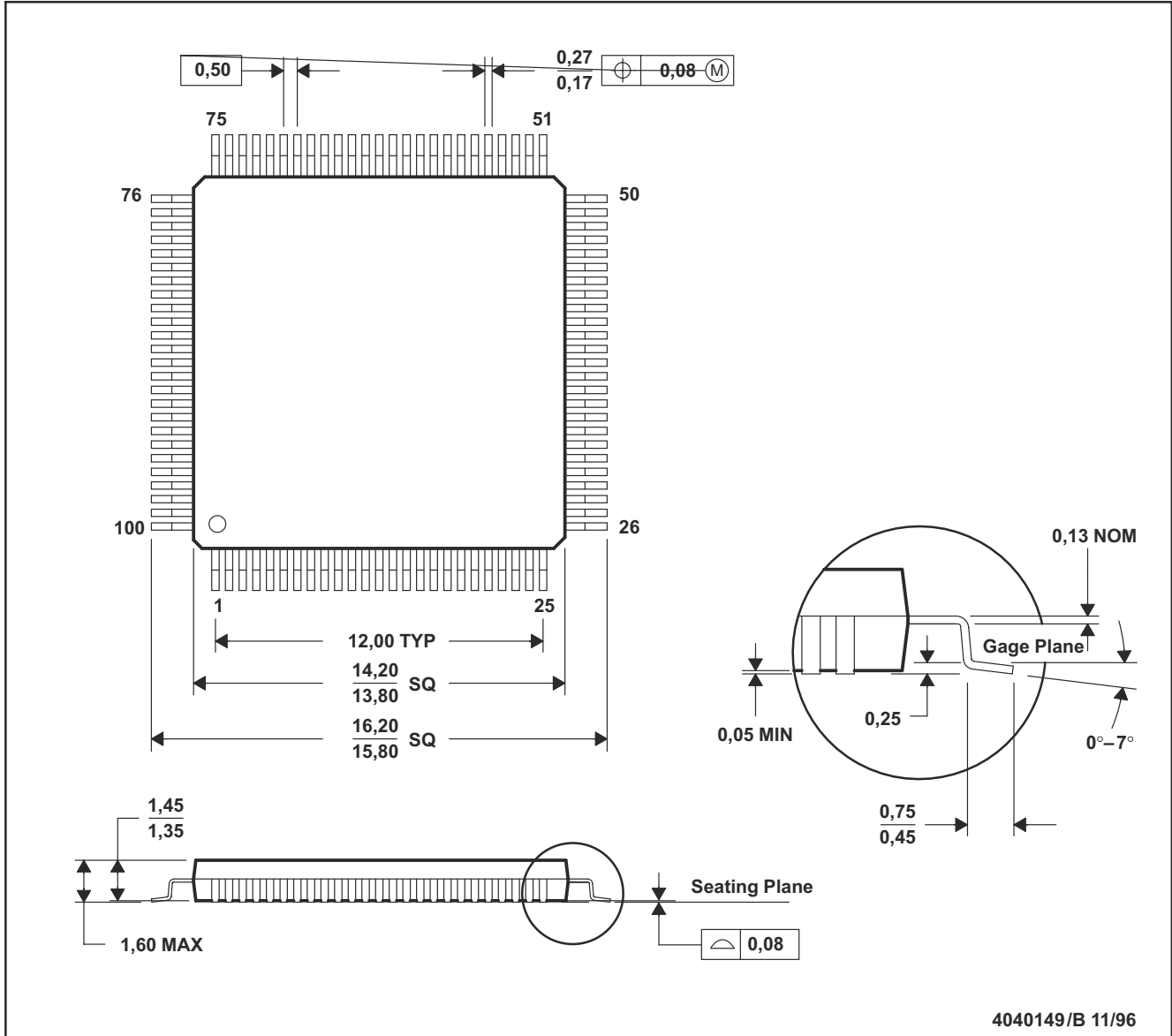
The following pages include mechanical, packaging, and orderable information. This information is the most current data available for the designated devices. This data is subject to change without notice and revision of this document. For browser-based versions of this data sheet, refer to the left-hand navigation.

### MECHANICAL DATA

MTQF013A – OCTOBER 1994 – REVISED DECEMBER 1996

PZ (S-PQFP-G100)

PLASTIC QUAD FLATPACK

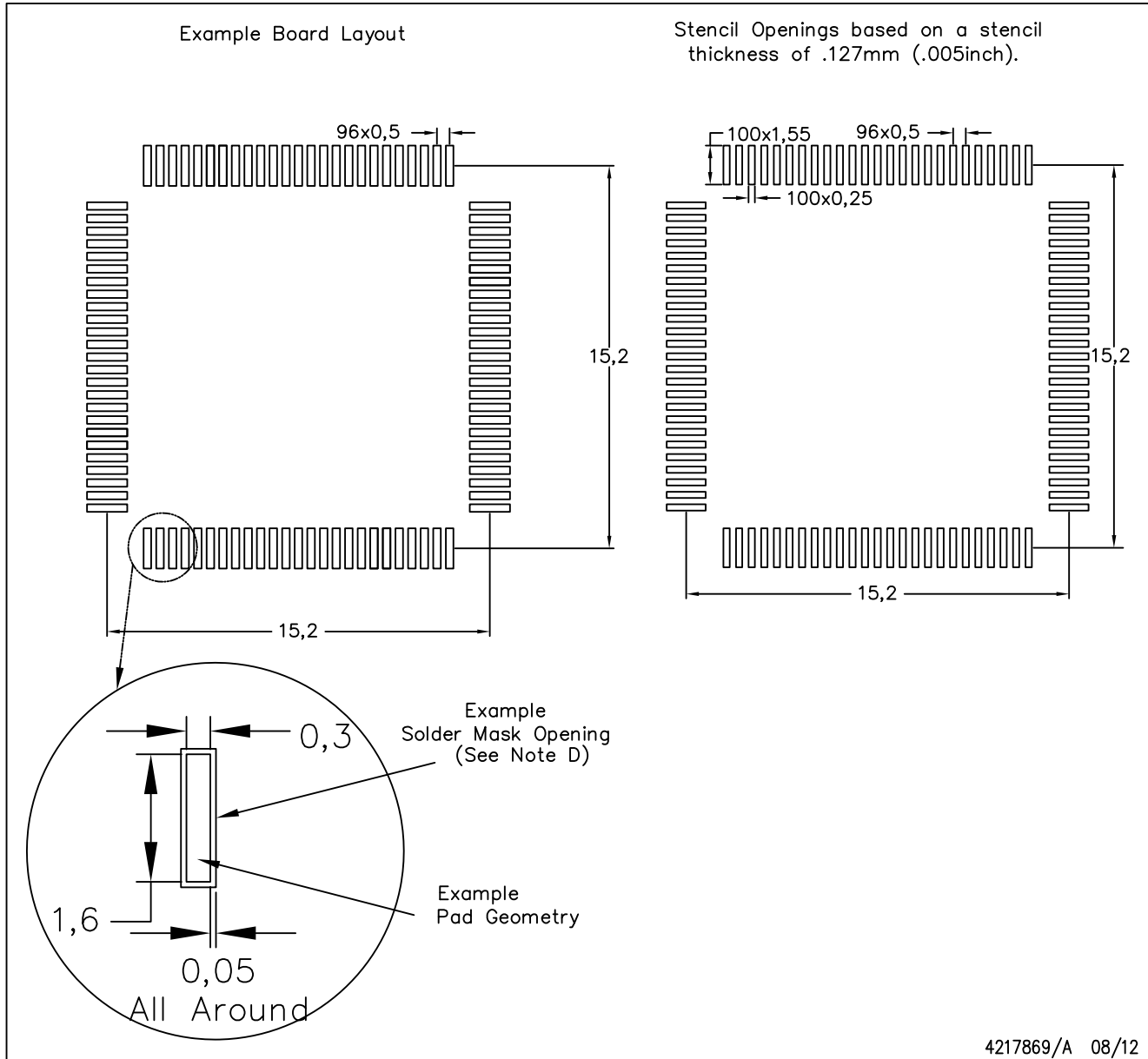


- NOTES: A. All linear dimensions are in millimeters.  
B. This drawing is subject to change without notice.  
C. Falls within JEDEC MS-026

## LAND PATTERN DATA

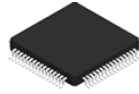
PZ (S-PQFP-G100)

PLASTIC QUAD FLAT PACK



**NOTES:**

- A. All linear dimensions are in millimeters.
- B. This drawing is subject to change without notice.
- C. Laser cutting apertures with trapezoidal walls and also rounding corners will offer better paste release. Customers should contact their board assembly site for stencil design recommendations. Example stencil design based on a 50% volumetric metal load solder paste. Refer to IPC-7525 for other stencil recommendations.
- D. Customers should contact their board fabrication site for solder mask tolerances between and around signal pads.

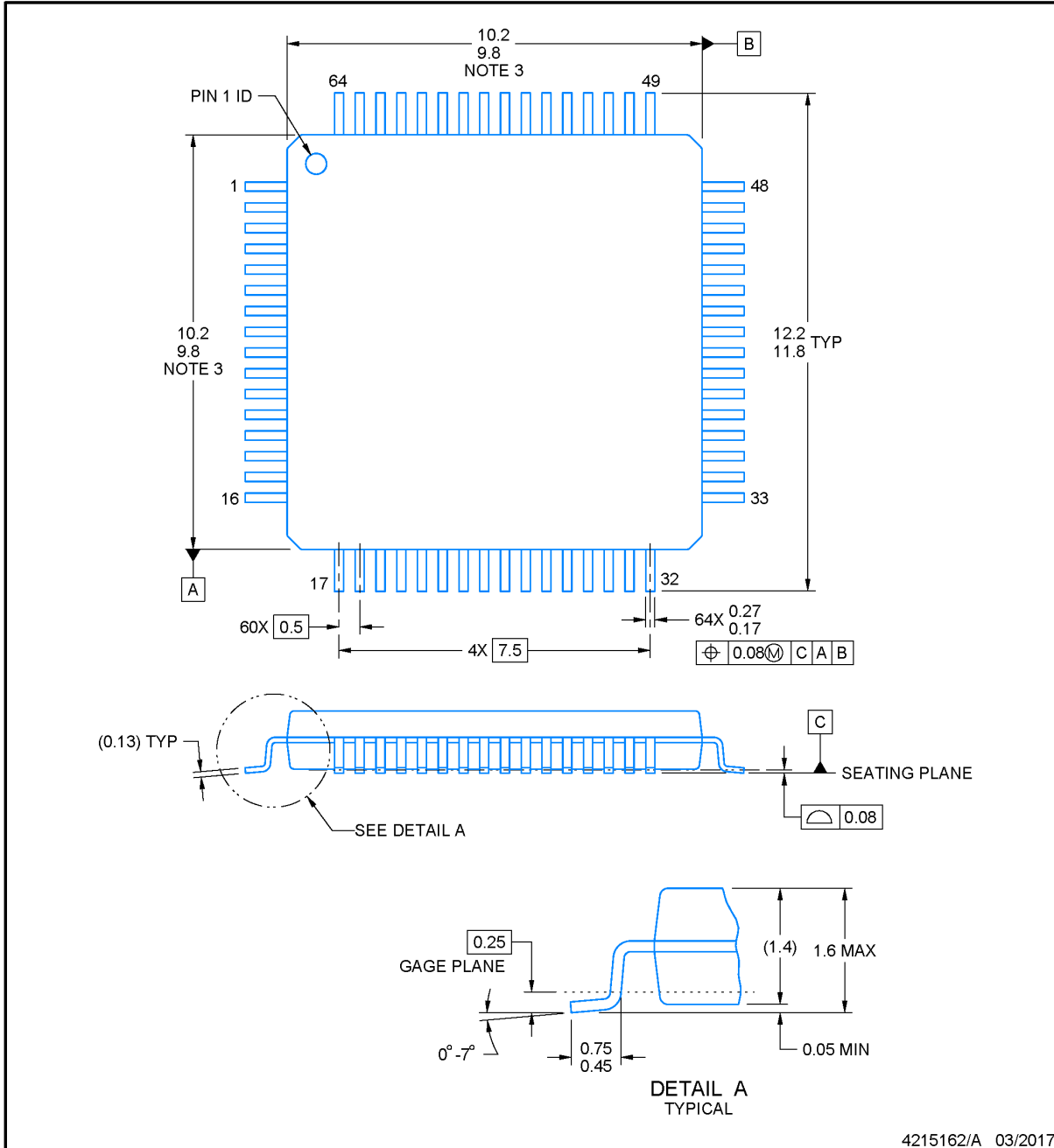


# PACKAGE OUTLINE

**PM0064A**

**LQFP - 1.6 mm max height**

PLASTIC QUAD FLATPACK



**NOTES:**

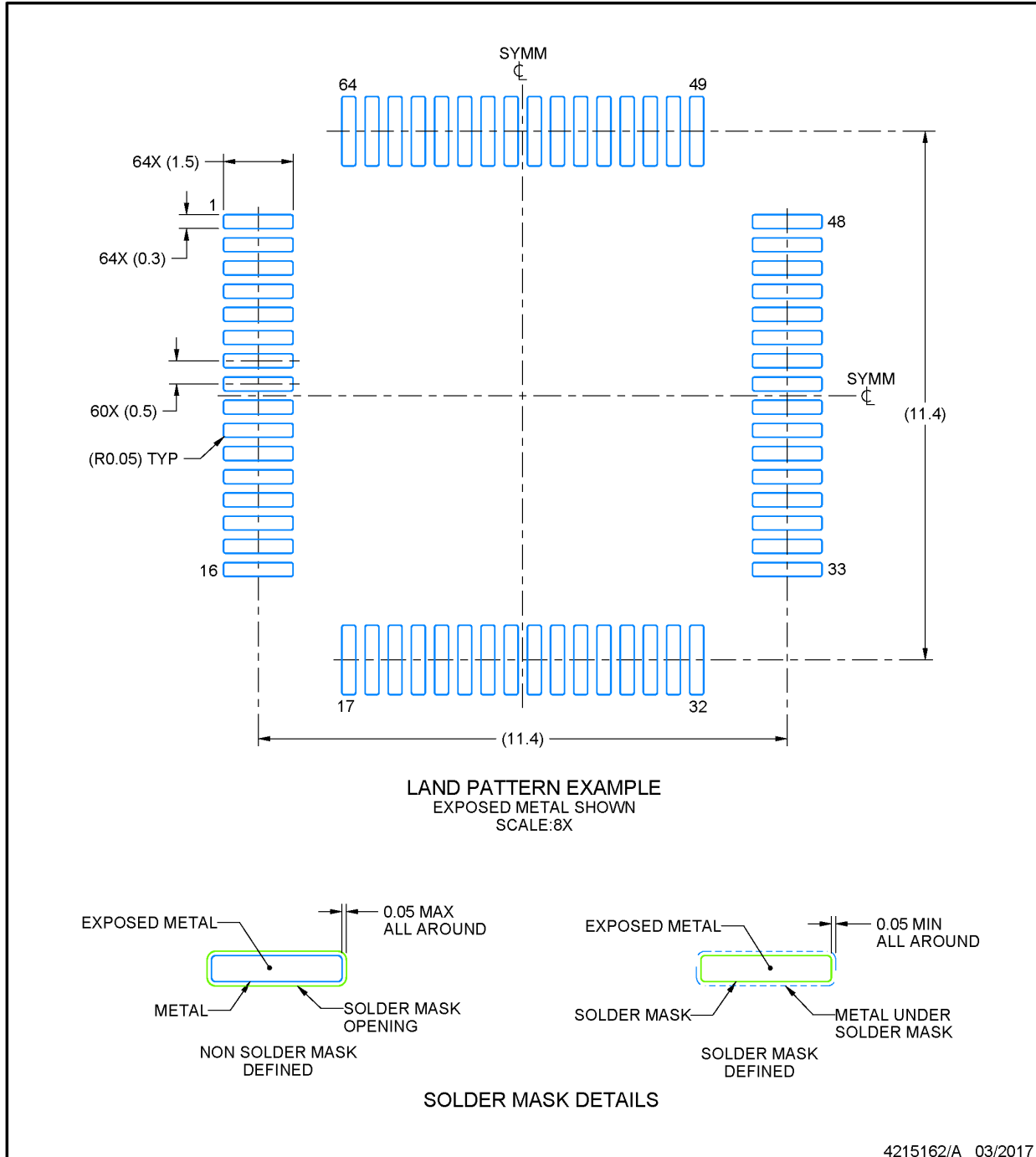
1. All linear dimensions are in millimeters. Any dimensions in parenthesis are for reference only. Dimensioning and tolerancing per ASME Y14.5M.
2. This drawing is subject to change without notice.
3. This dimension does not include mold flash, protrusions, or gate burrs. Mold flash, protrusions, or gate burrs shall not exceed 0.15 mm per side.
4. Reference JEDEC registration MS-026.

## EXAMPLE BOARD LAYOUT

**PM0064A**

**LQFP - 1.6 mm max height**

PLASTIC QUAD FLATPACK



NOTES: (continued)

5. Publication IPC-7351 may have alternate designs.
6. Solder mask tolerances between and around signal pads can vary based on board fabrication site.
7. For more information, see Texas Instruments literature number SLMA004 ([www.ti.com/lit/slma004](http://www.ti.com/lit/slma004)).

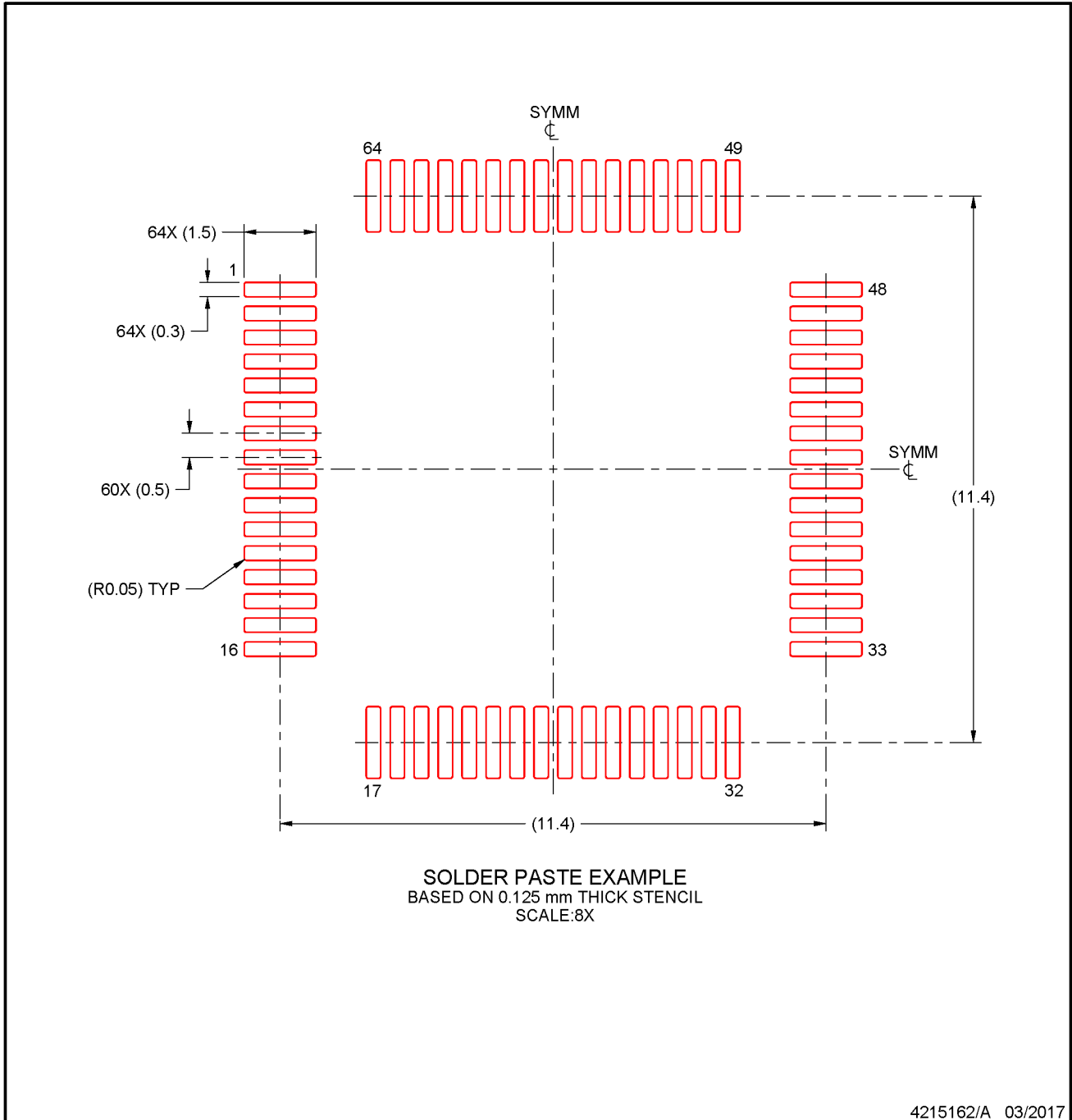


## EXAMPLE STENCIL DESIGN

**PM0064A**

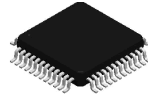
**LQFP - 1.6 mm max height**

PLASTIC QUAD FLATPACK



NOTES: (continued)

8. Laser cutting apertures with trapezoidal walls and rounded corners may offer better paste release. IPC-7525 may have alternate design recommendations.
9. Board assembly site may have different recommendations for stencil design.

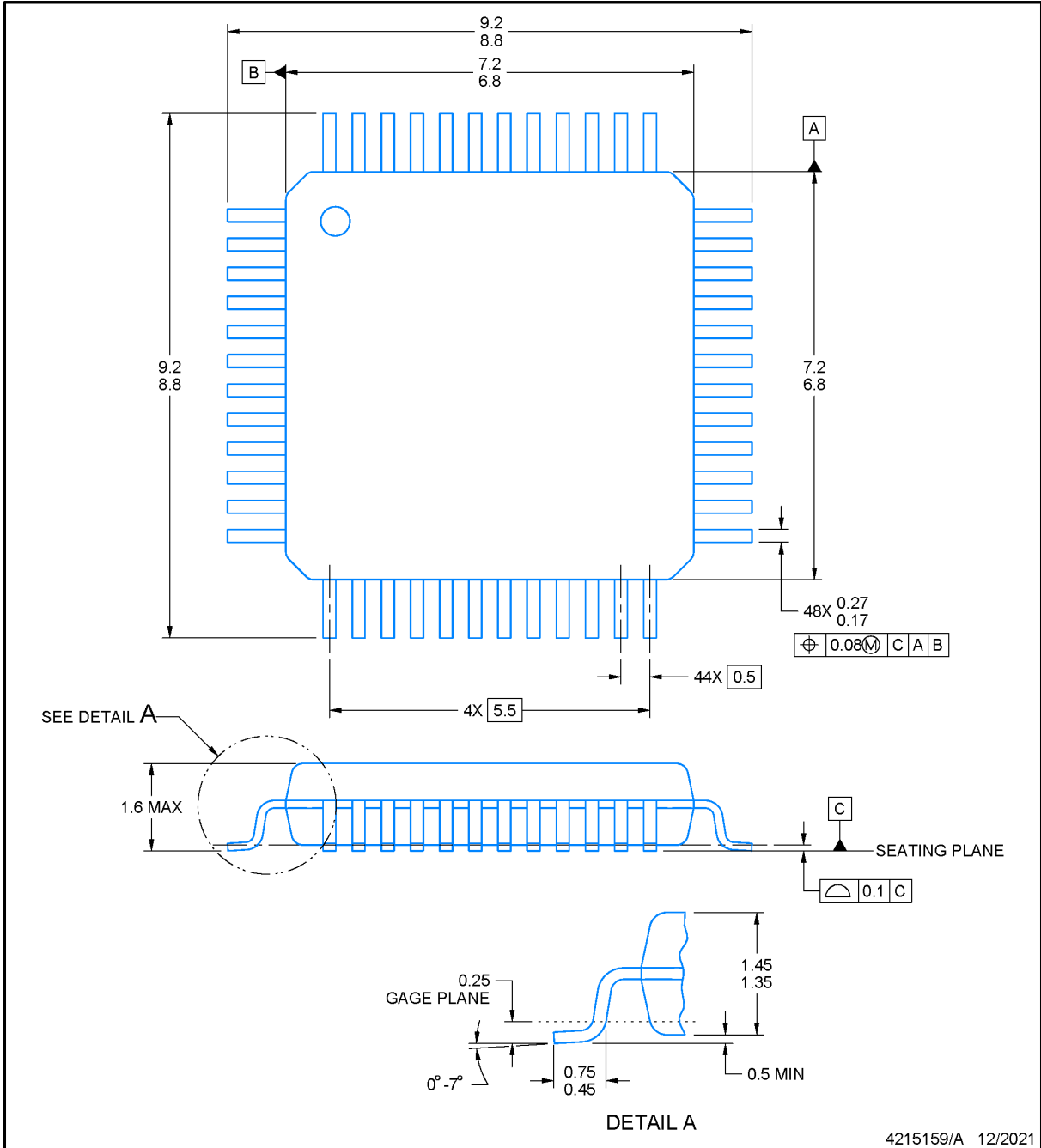


**PT0048A**

**PACKAGE OUTLINE**

**LQFP - 1.6 mm max height**

LOW PROFILE QUAD FLATPACK



NOTES:

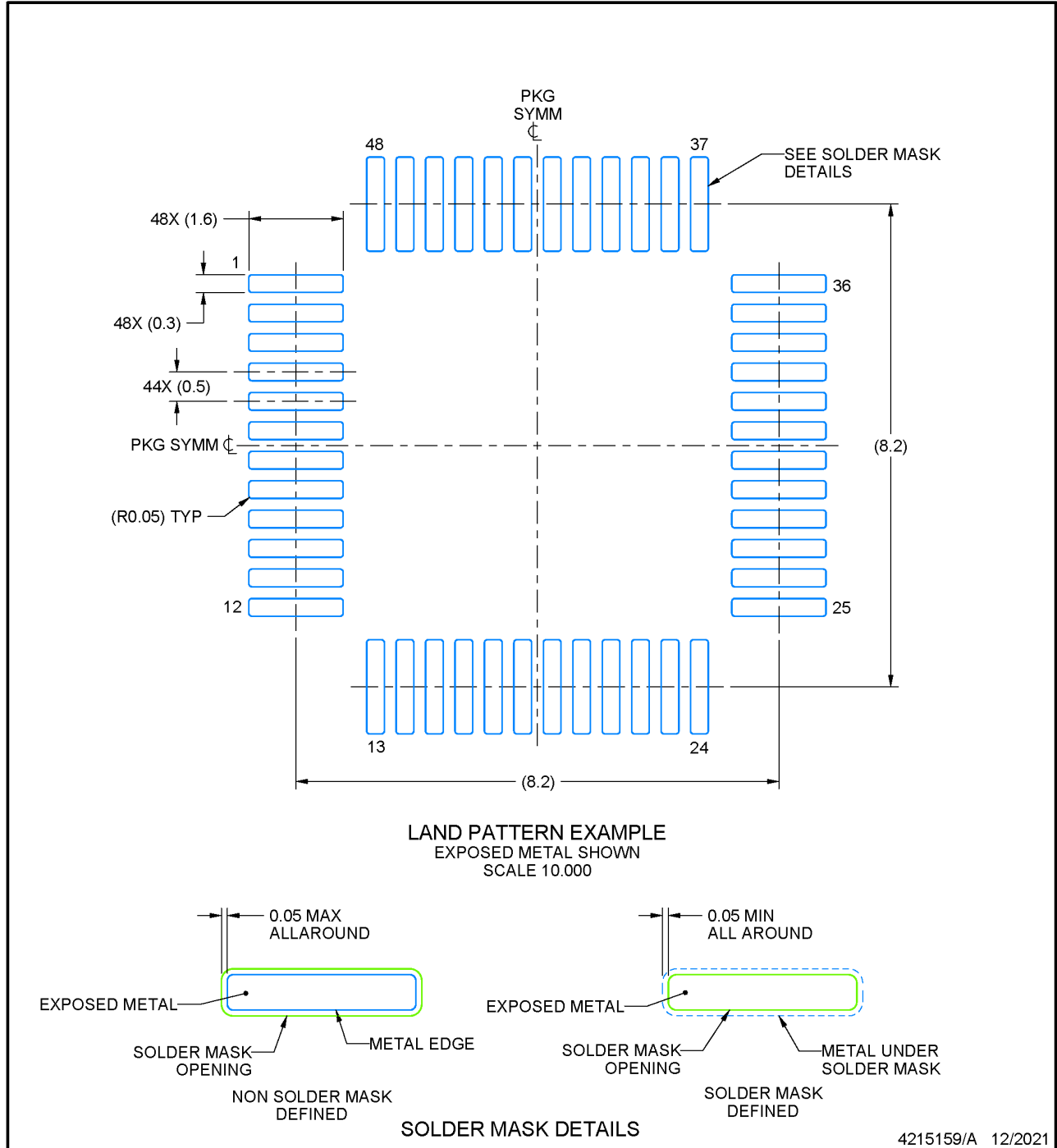
1. All linear dimensions are in millimeters. Any dimensions in parenthesis are for reference only. Dimensioning and tolerancing per ASME Y14.5M.
2. This drawing is subject to change without notice.
3. Reference JEDEC registration MS-026.
4. This may also be a thermally enhanced plastic package with leads connected to the die pads.

## EXAMPLE BOARD LAYOUT

**PT0048A**

**LQFP - 1.6 mm max height**

LOW PROFILE QUAD FLATPACK



NOTES: (continued)

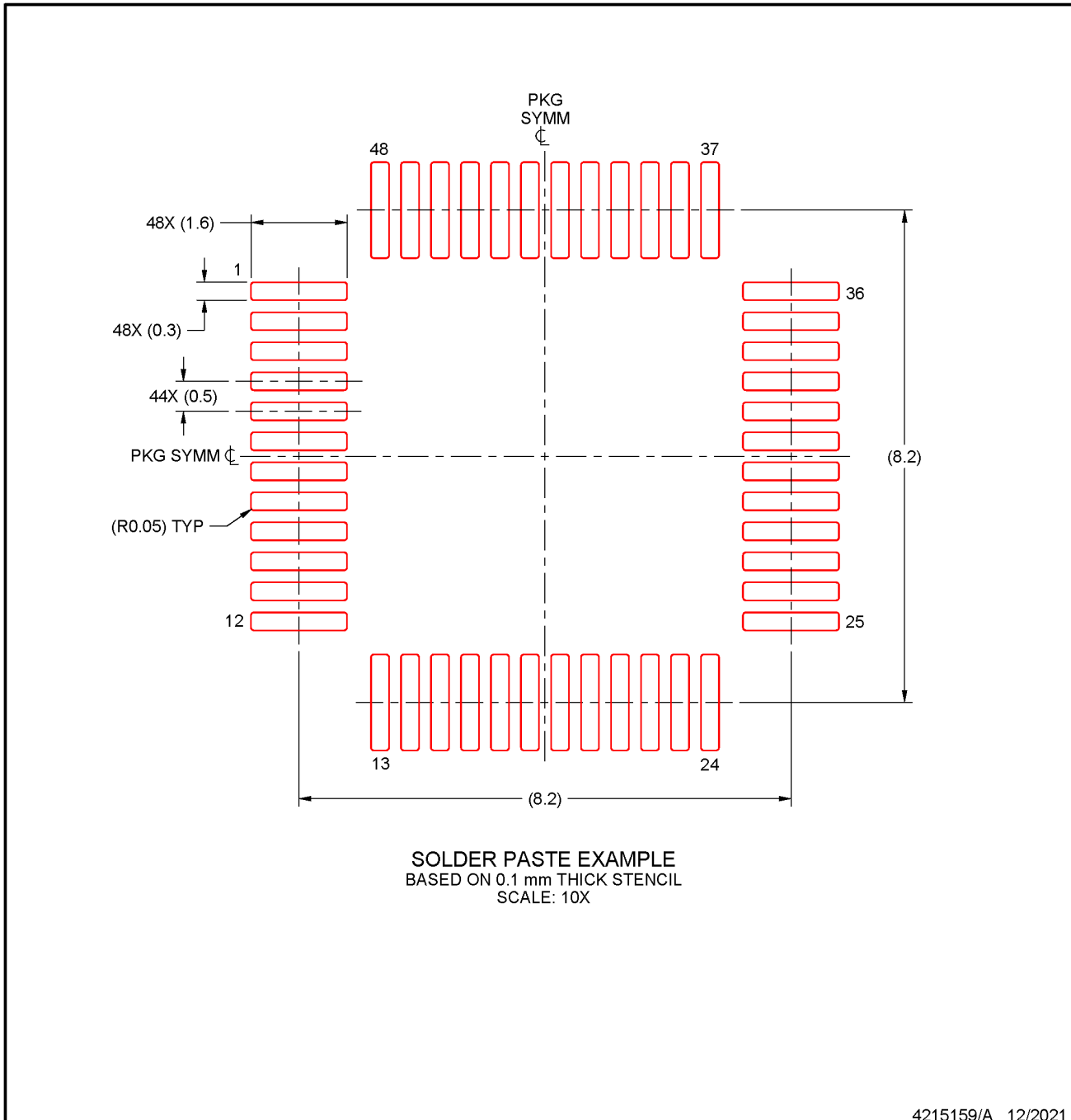
5. Publication IPC-7351 may have alternate designs.
6. Solder mask tolerances between and around signal pads can vary based on board fabrication site.

## EXAMPLE STENCIL DESIGN

**PT0048A**

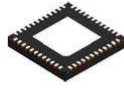
**LQFP - 1.6 mm max height**

LOW PROFILE QUAD FLATPACK



NOTES: (continued)

7. Laser cutting apertures with trapezoidal walls and rounded corners may offer better paste release. IPC-7525 may have alternate design recommendations.
8. Board assembly site may have different recommendations for stencil design.

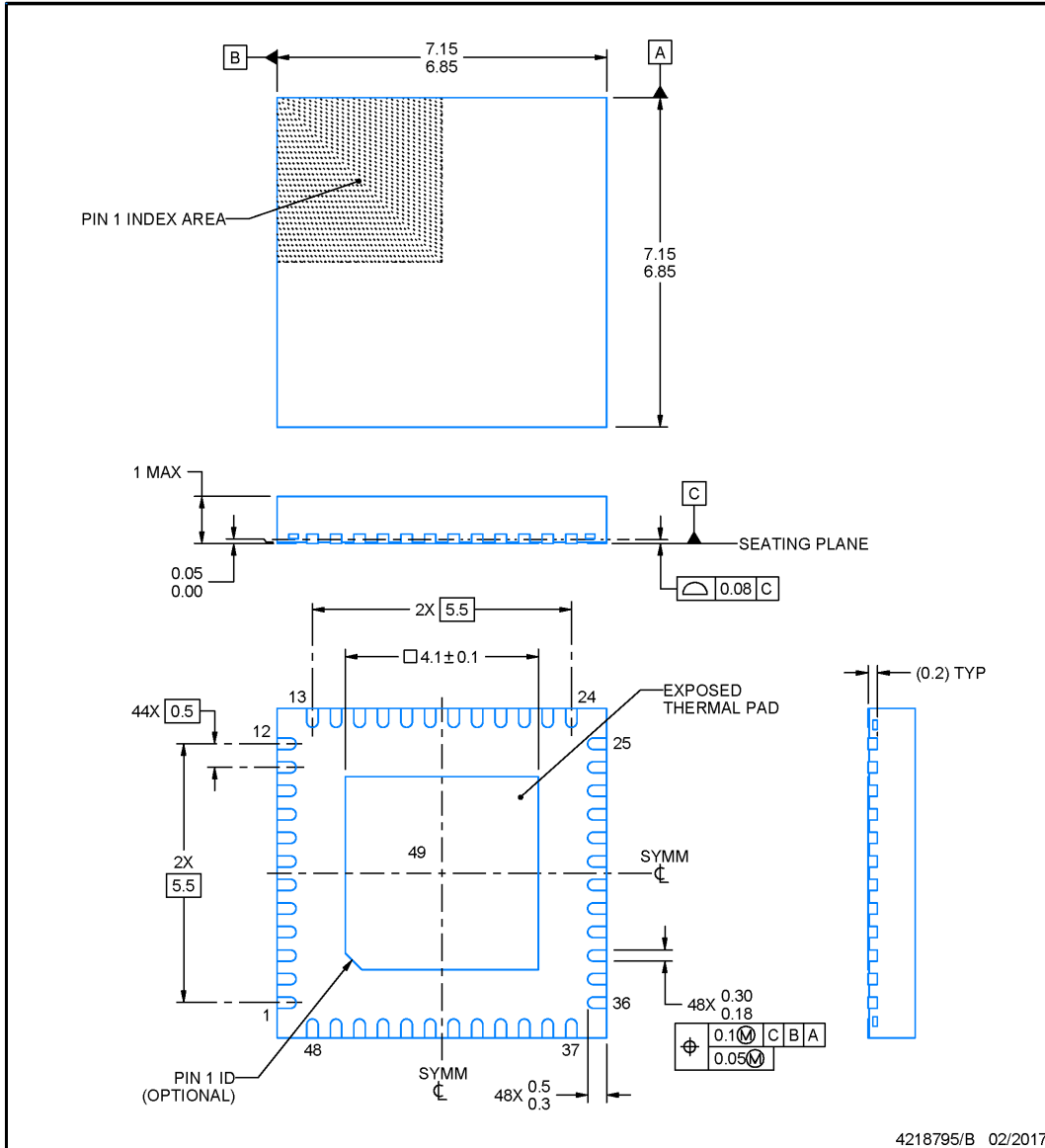


**RGZ0048B**

**PACKAGE OUTLINE**

**VQFN - 1 mm max height**

PLASTIC QUAD FLATPACK - NO LEAD



**NOTES:**

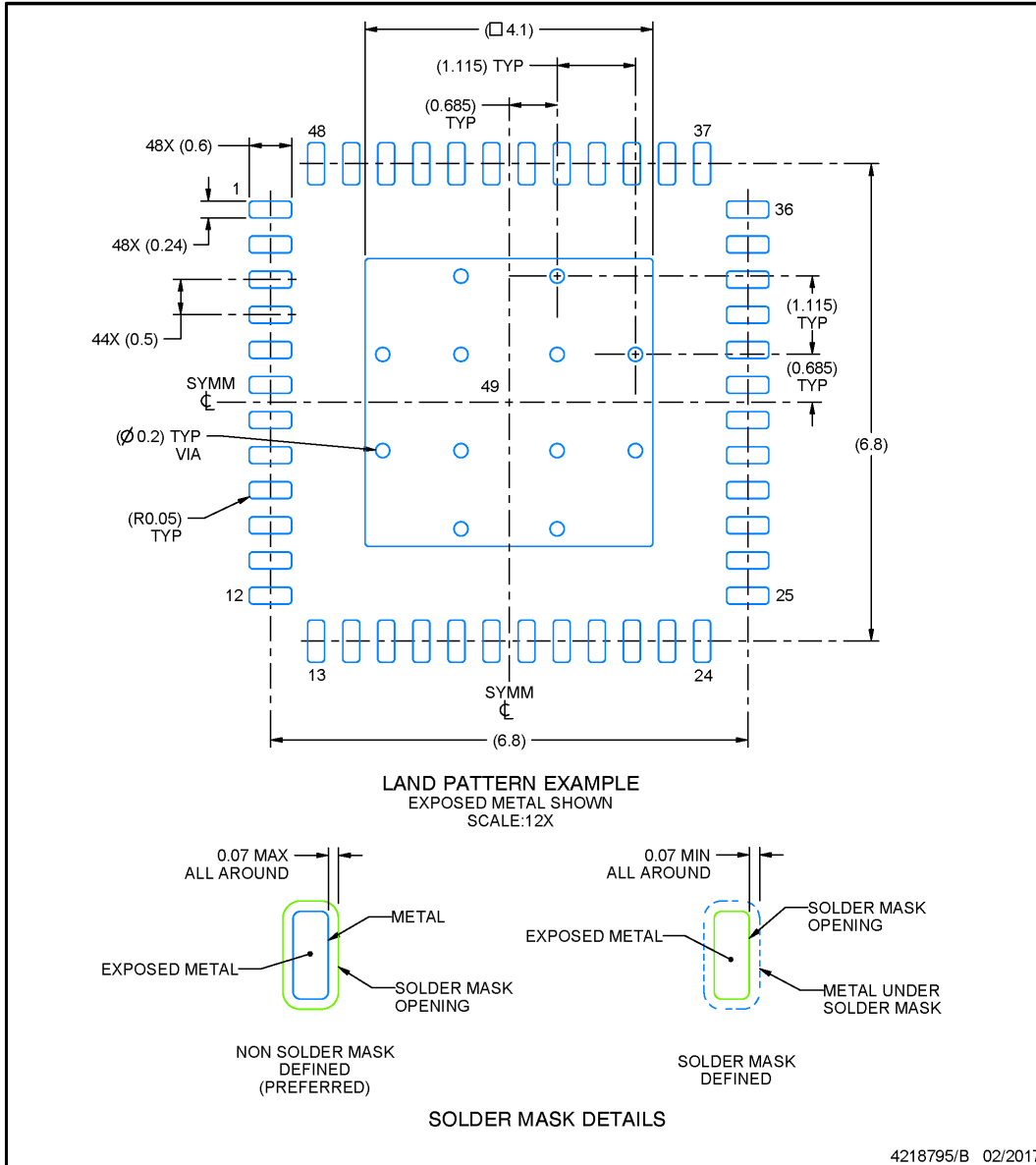
1. All linear dimensions are in millimeters. Any dimensions in parenthesis are for reference only. Dimensioning and tolerancing per ASME Y14.5M.
2. This drawing is subject to change without notice.
3. The package thermal pad must be soldered to the printed circuit board for thermal and mechanical performance.

## EXAMPLE BOARD LAYOUT

**RGZ0048B**

**VQFN - 1 mm max height**

PLASTIC QUAD FLATPACK - NO LEAD



NOTES: (continued)

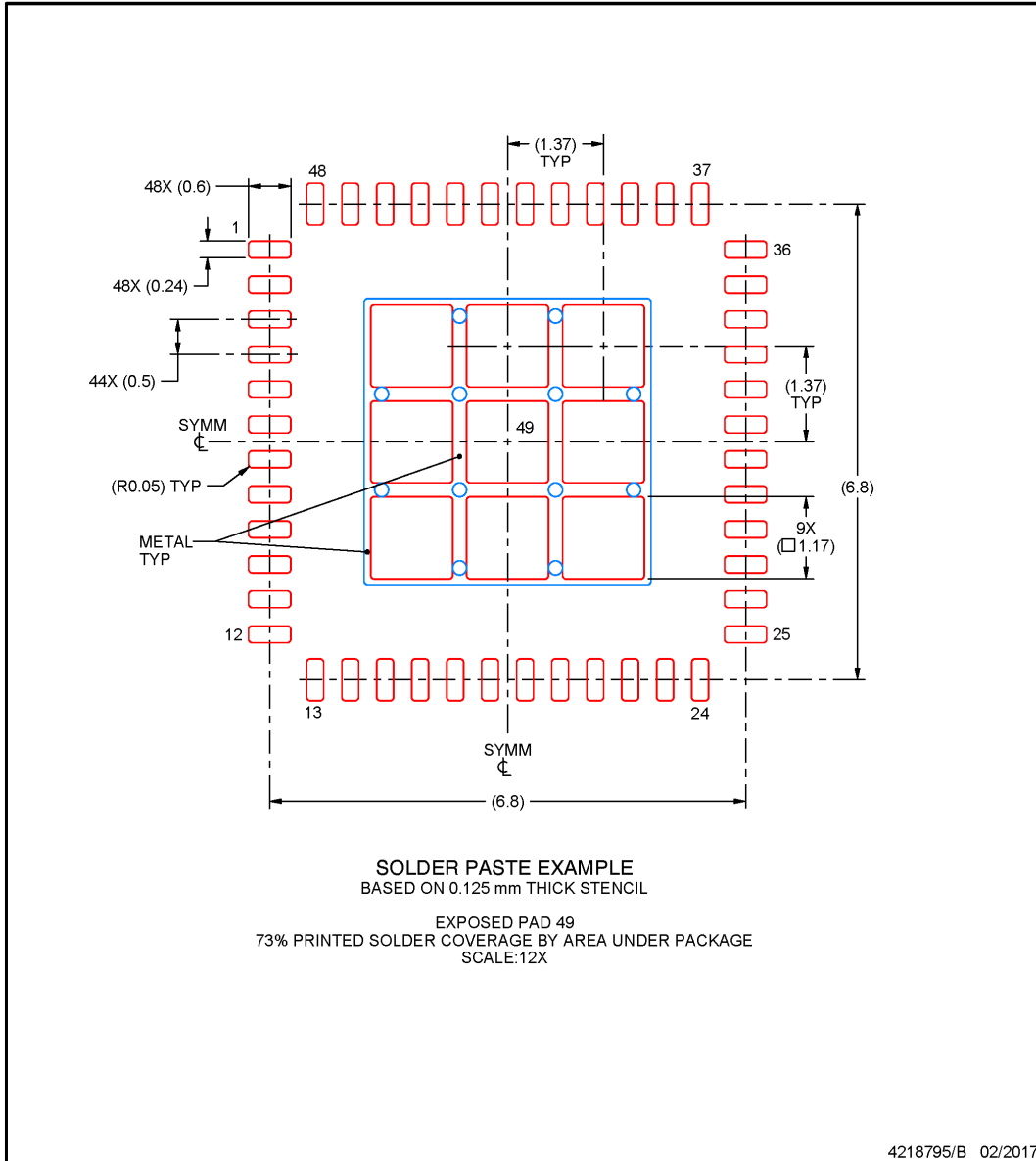
- This package is designed to be soldered to a thermal pad on the board. For more information, see Texas Instruments literature number SLUA271 ([www.ti.com/lit/slua271](http://www.ti.com/lit/slua271)).
- Vias are optional depending on application, refer to device data sheet. If any vias are implemented, refer to their locations shown on this view. It is recommended that vias under paste be filled, plugged or tented.

**EXAMPLE STENCIL DESIGN**

**RGZ0048B**

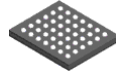
**VQFN - 1 mm max height**

PLASTIC QUAD FLATPACK - NO LEAD



NOTES: (continued)

6. Laser cutting apertures with trapezoidal walls and rounded corners may offer better paste release. IPC-7525 may have alternate design recommendations.

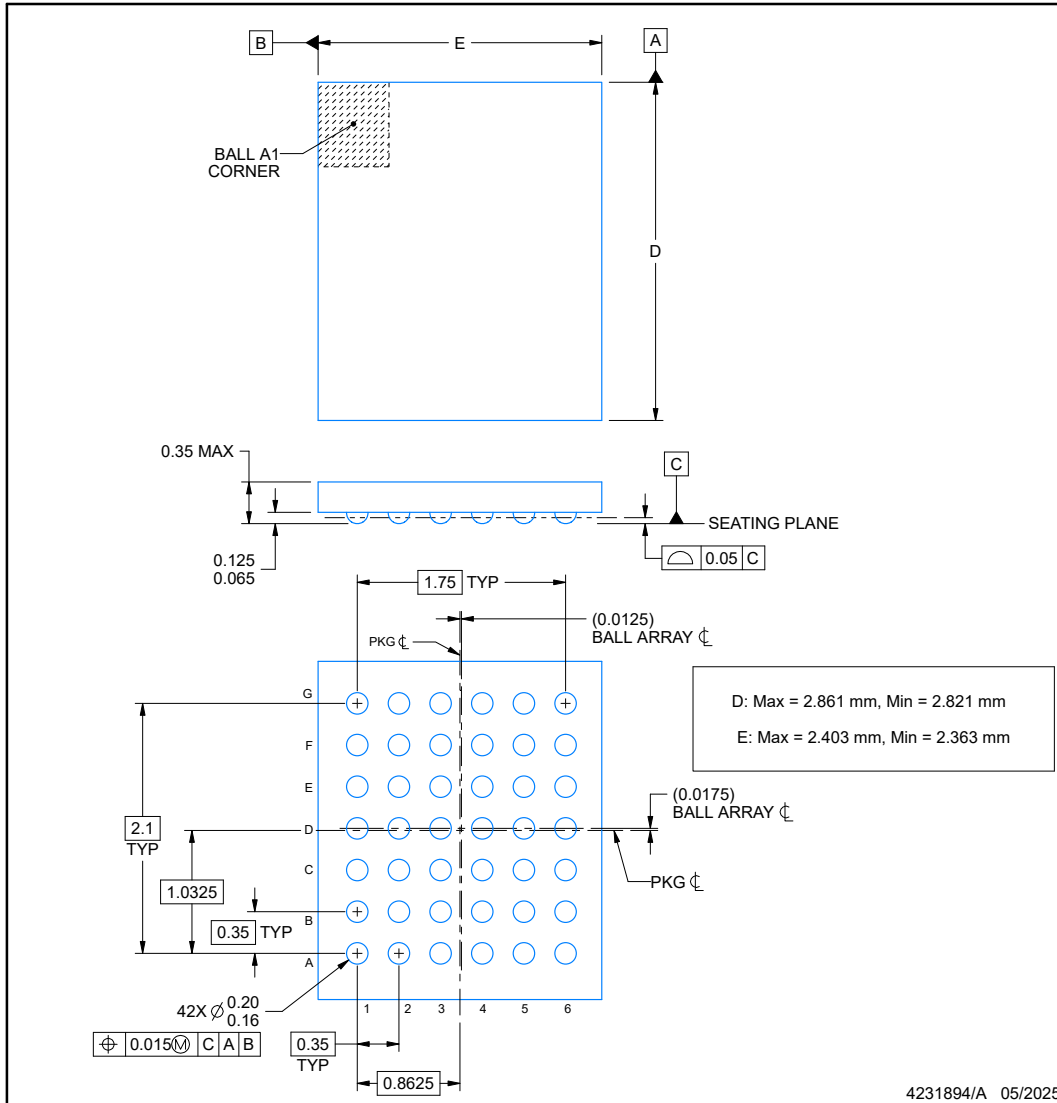


**PACKAGE OUTLINE**

**YCJ0042-C01**

**DSBGA - 0.35 mm max height**

DIE SIZE BALL GRID ARRAY



**NOTES:**

1. All linear dimensions are in millimeters. Any dimensions in parenthesis are for reference only. Dimensioning and tolerancing per ASME Y14.5M.
2. This drawing is subject to change without notice.

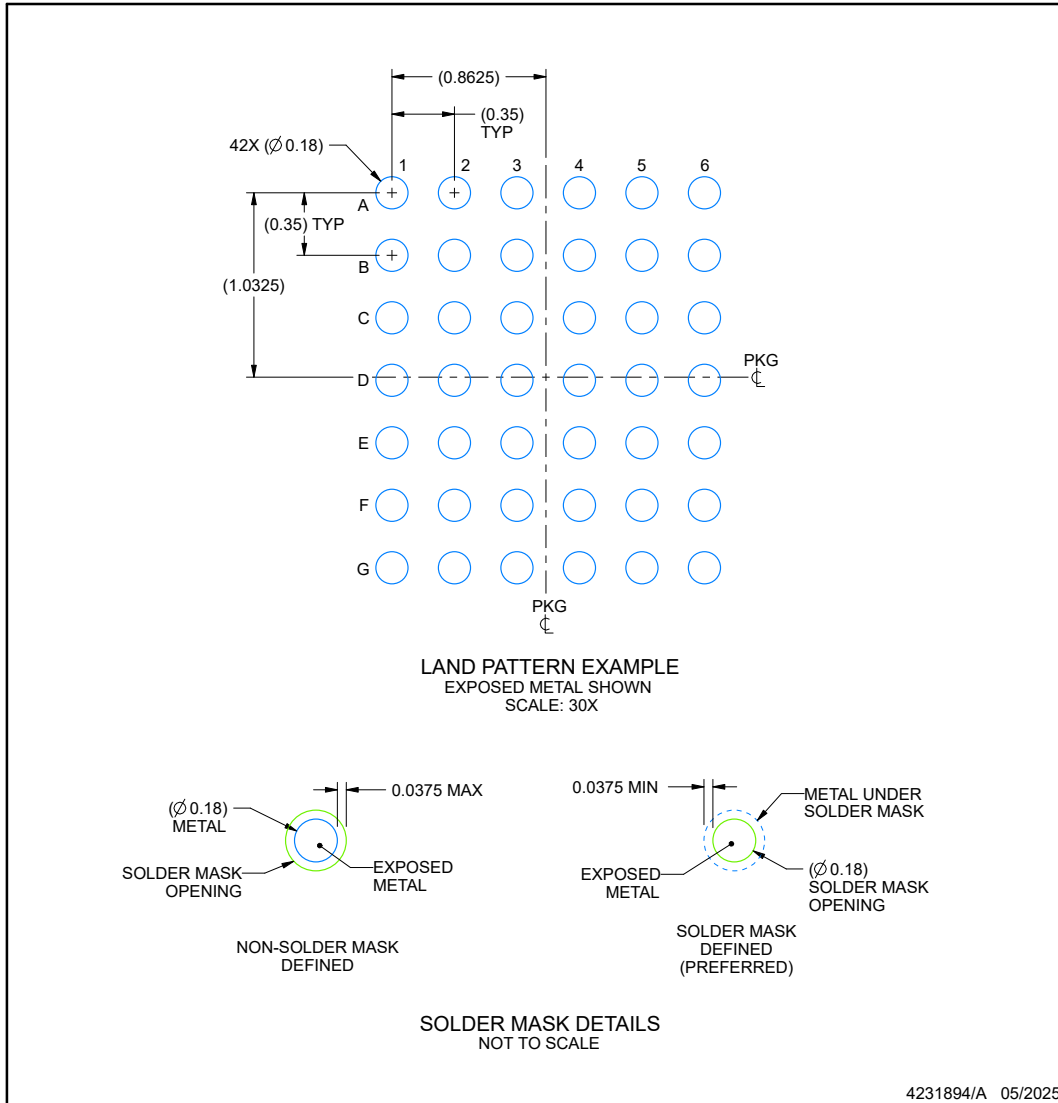


**EXAMPLE BOARD LAYOUT**

**YCJ0042-C01**

**DSBGA - 0.35 mm max height**

DIE SIZE BALL GRID ARRAY



NOTES: (continued)

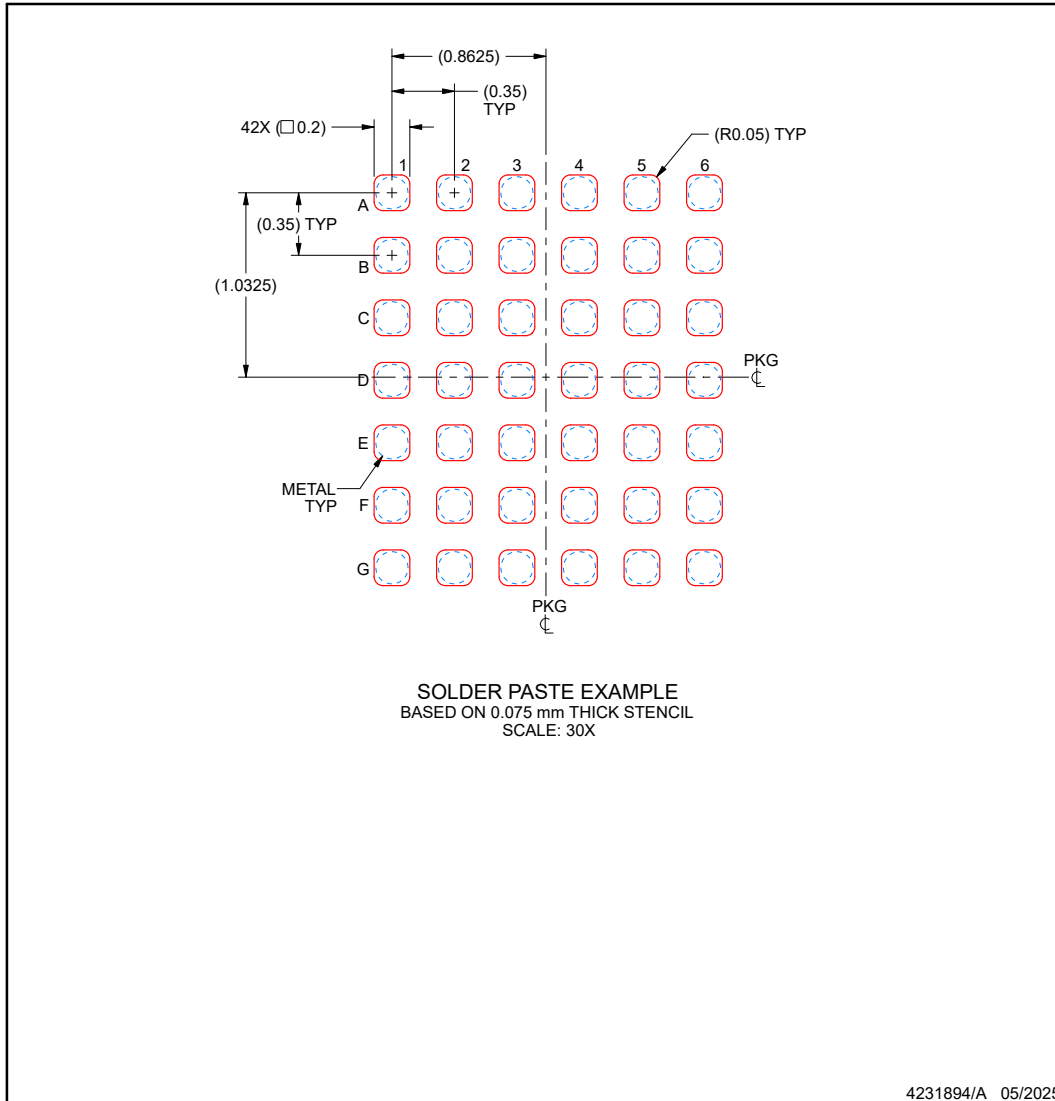
- 3. Final dimensions may vary due to manufacturing tolerance considerations and also routing constraints. See Texas Instruments Literature No. SNVA009 ([www.ti.com/lit/snva009](http://www.ti.com/lit/snva009)).

## EXAMPLE STENCIL DESIGN

YCJ0042-C01

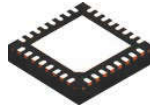
DSBGA - 0.35 mm max height

DIE SIZE BALL GRID ARRAY



NOTES: (continued)

4. Laser cutting apertures with trapezoidal walls and rounded corners may offer better paste release.

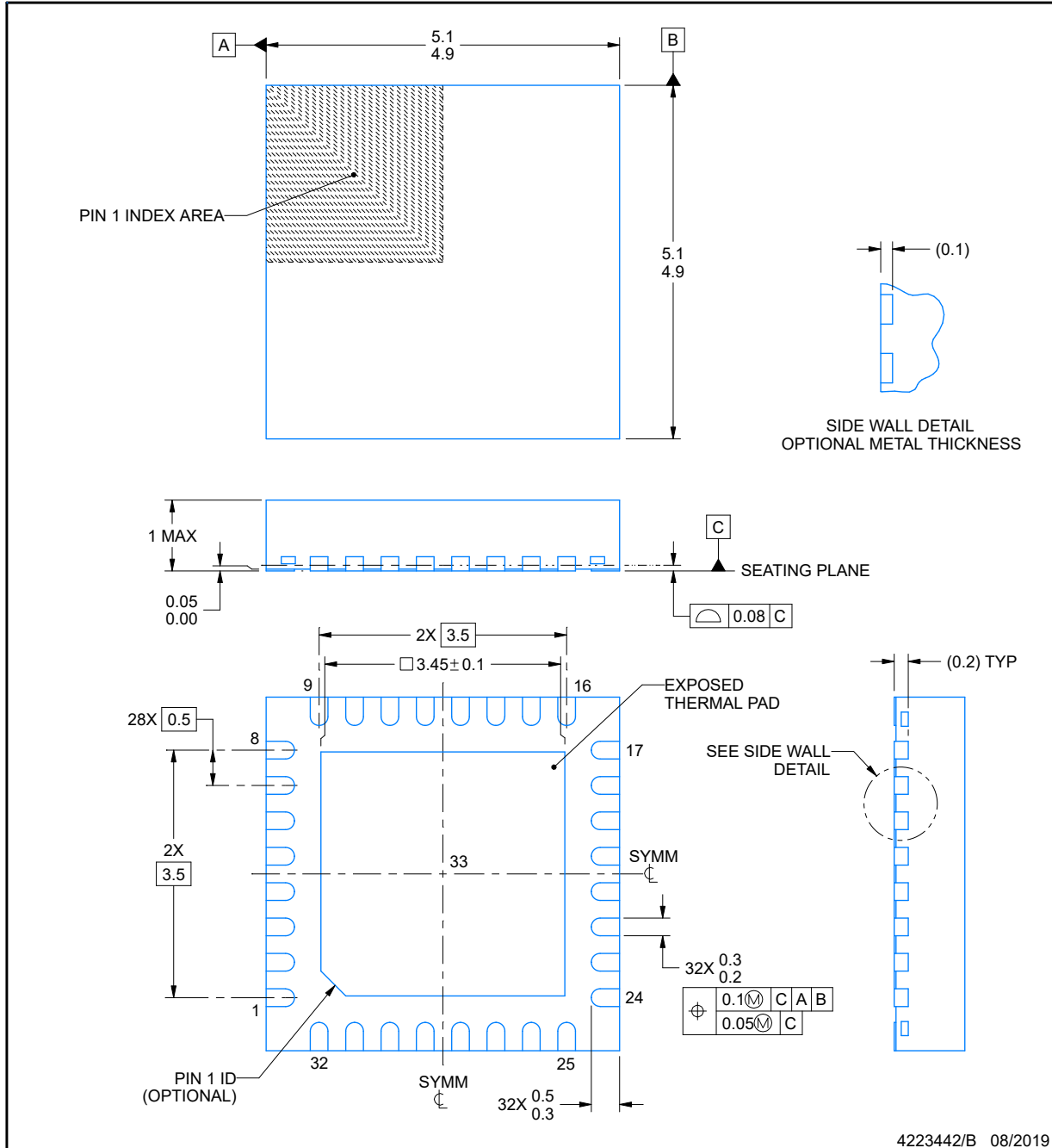


**RHB0032E**

**PACKAGE OUTLINE**

**VQFN - 1 mm max height**

PLASTIC QUAD FLATPACK - NO LEAD



NOTES:

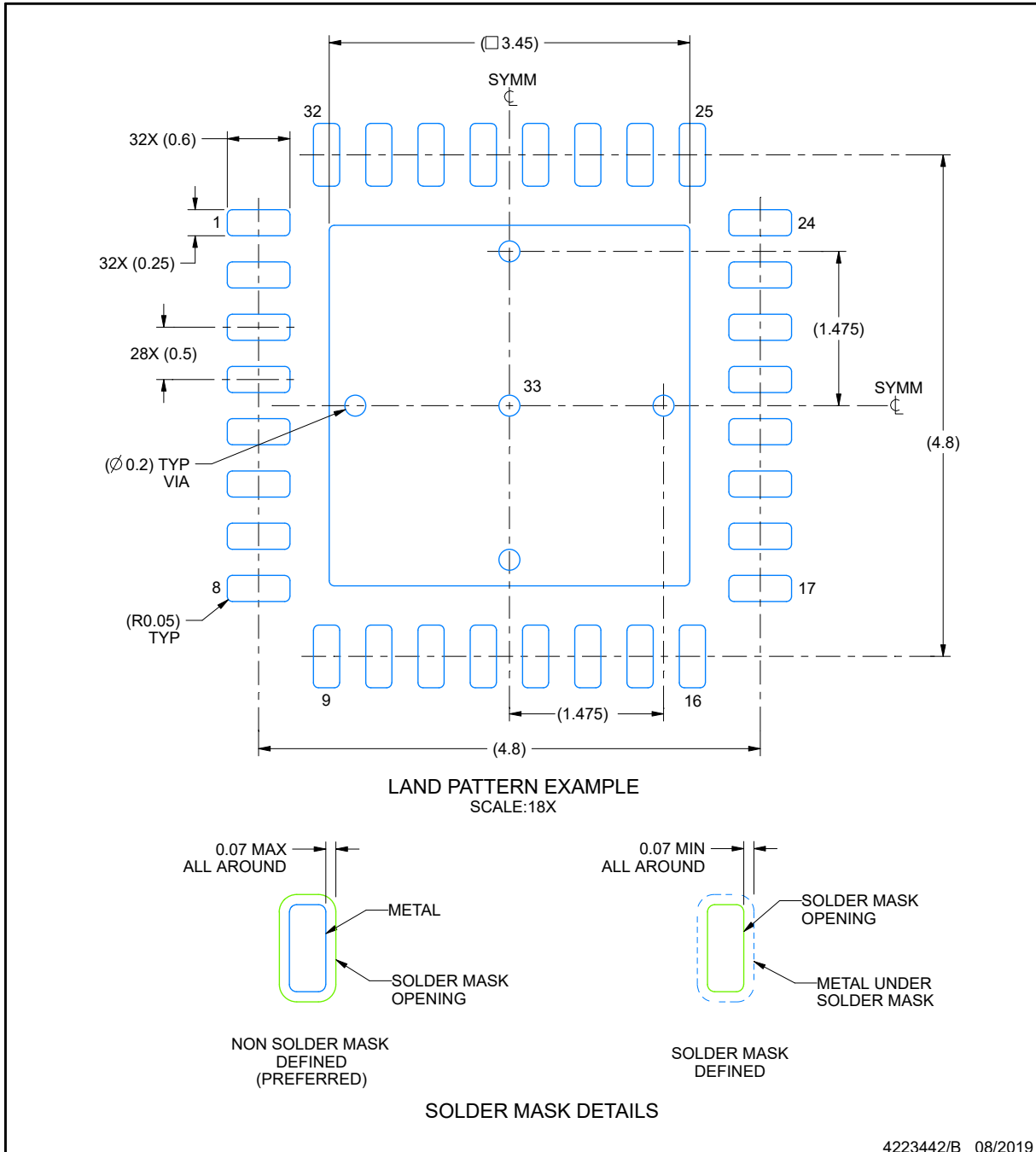
1. All linear dimensions are in millimeters. Any dimensions in parenthesis are for reference only. Dimensioning and tolerancing per ASME Y14.5M.
2. This drawing is subject to change without notice.
3. The package thermal pad must be soldered to the printed circuit board for thermal and mechanical performance.

## EXAMPLE BOARD LAYOUT

**RHB0032E**

**VQFN - 1 mm max height**

PLASTIC QUAD FLATPACK - NO LEAD



NOTES: (continued)

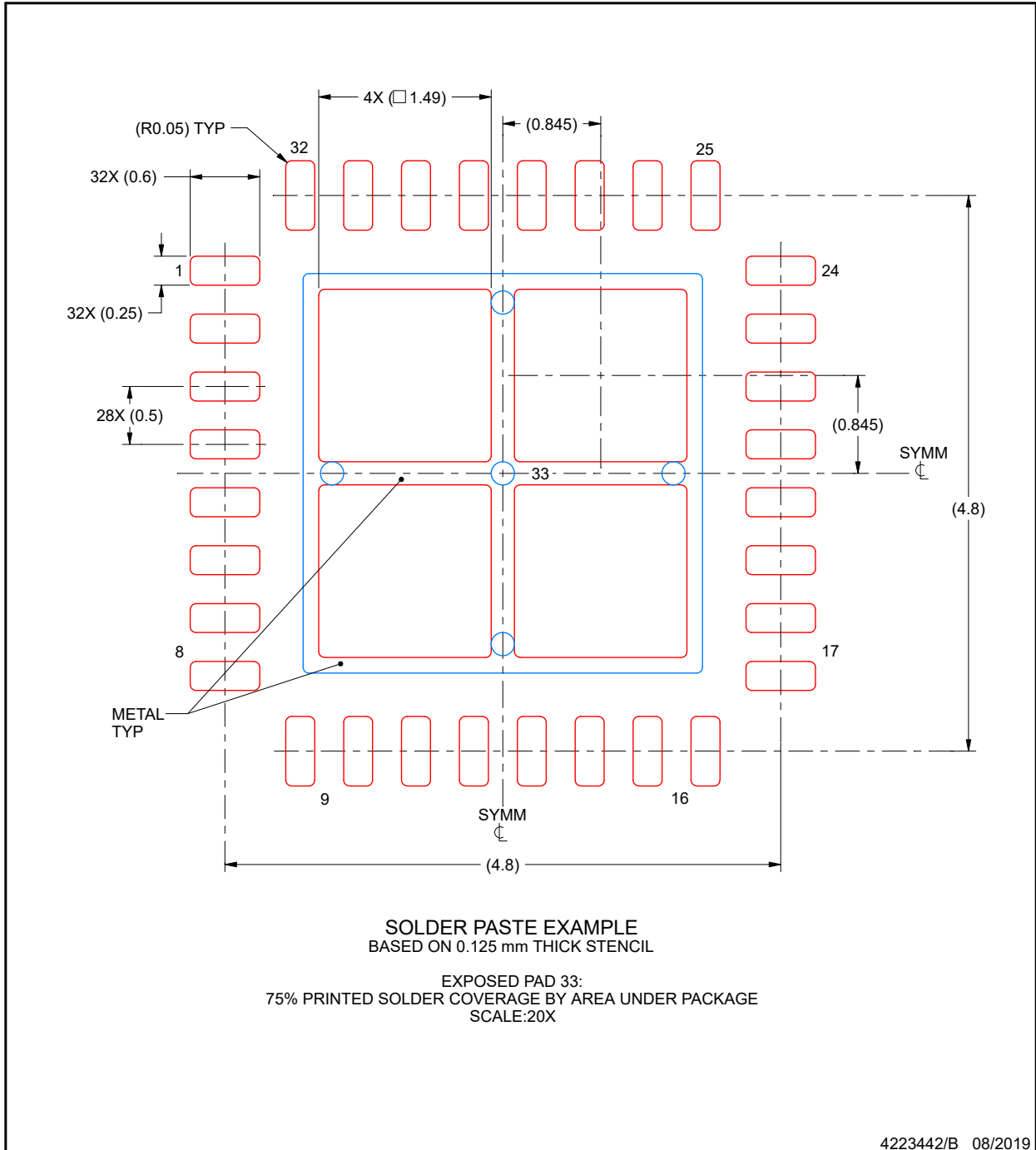
4. This package is designed to be soldered to a thermal pad on the board. For more information, see Texas Instruments literature number SLUA271 ([www.ti.com/lit/slua271](http://www.ti.com/lit/slua271)).
5. Vias are optional depending on application, refer to device data sheet. If any vias are implemented, refer to their locations shown on this view. It is recommended that vias under paste be filled, plugged or tented.

## EXAMPLE STENCIL DESIGN

**RHB0032E**

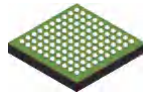
**VQFN - 1 mm max height**

PLASTIC QUAD FLATPACK - NO LEAD



NOTES: (continued)

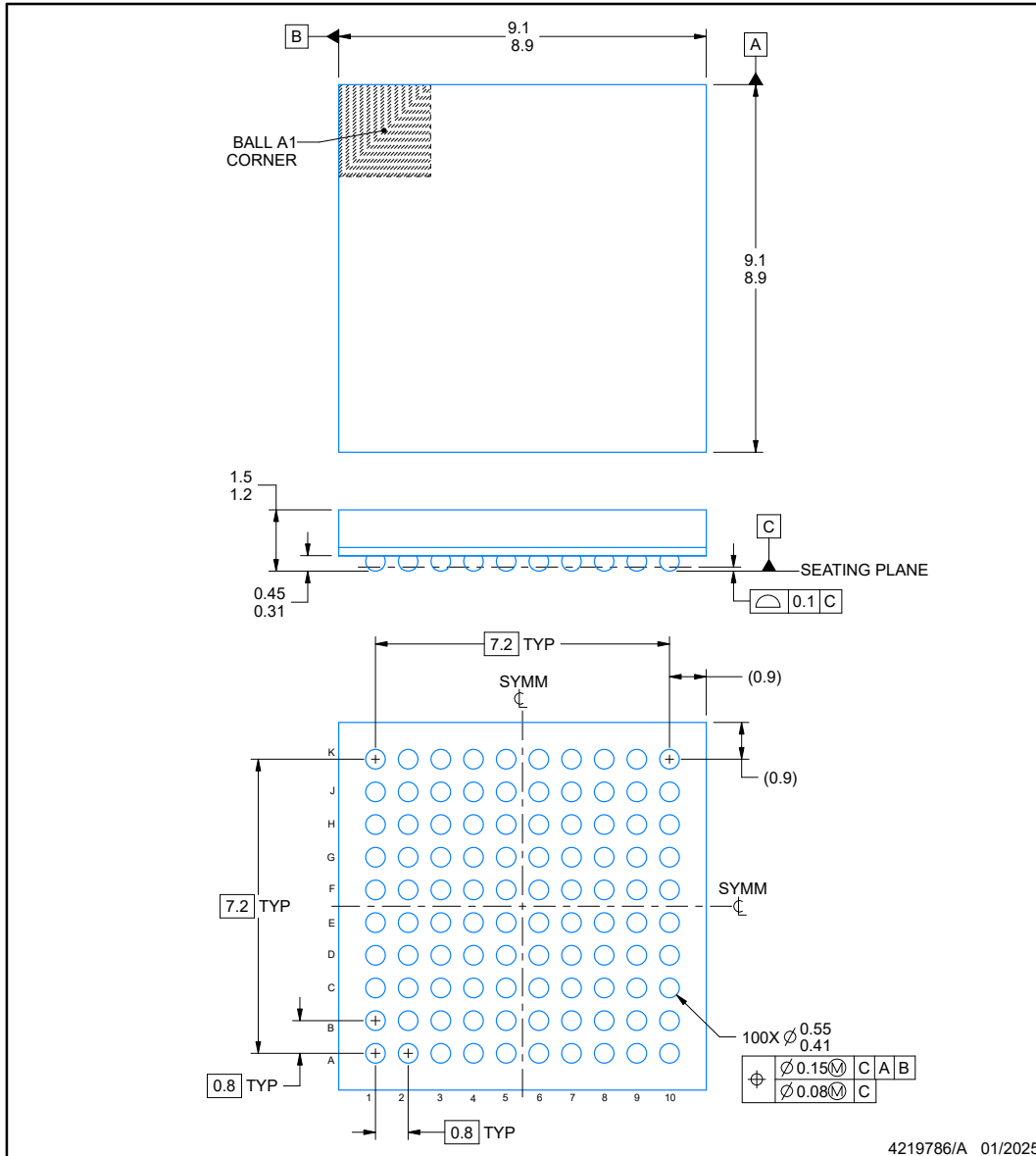
6. Laser cutting apertures with trapezoidal walls and rounded corners may offer better paste release. IPC-7525 may have alternate design recommendations.



**ZAW0100A**

**PACKAGE OUTLINE**  
**NFBGA - 1.5 mm max height**

PLASTIC BALL GRID ARRAY



NOTES:

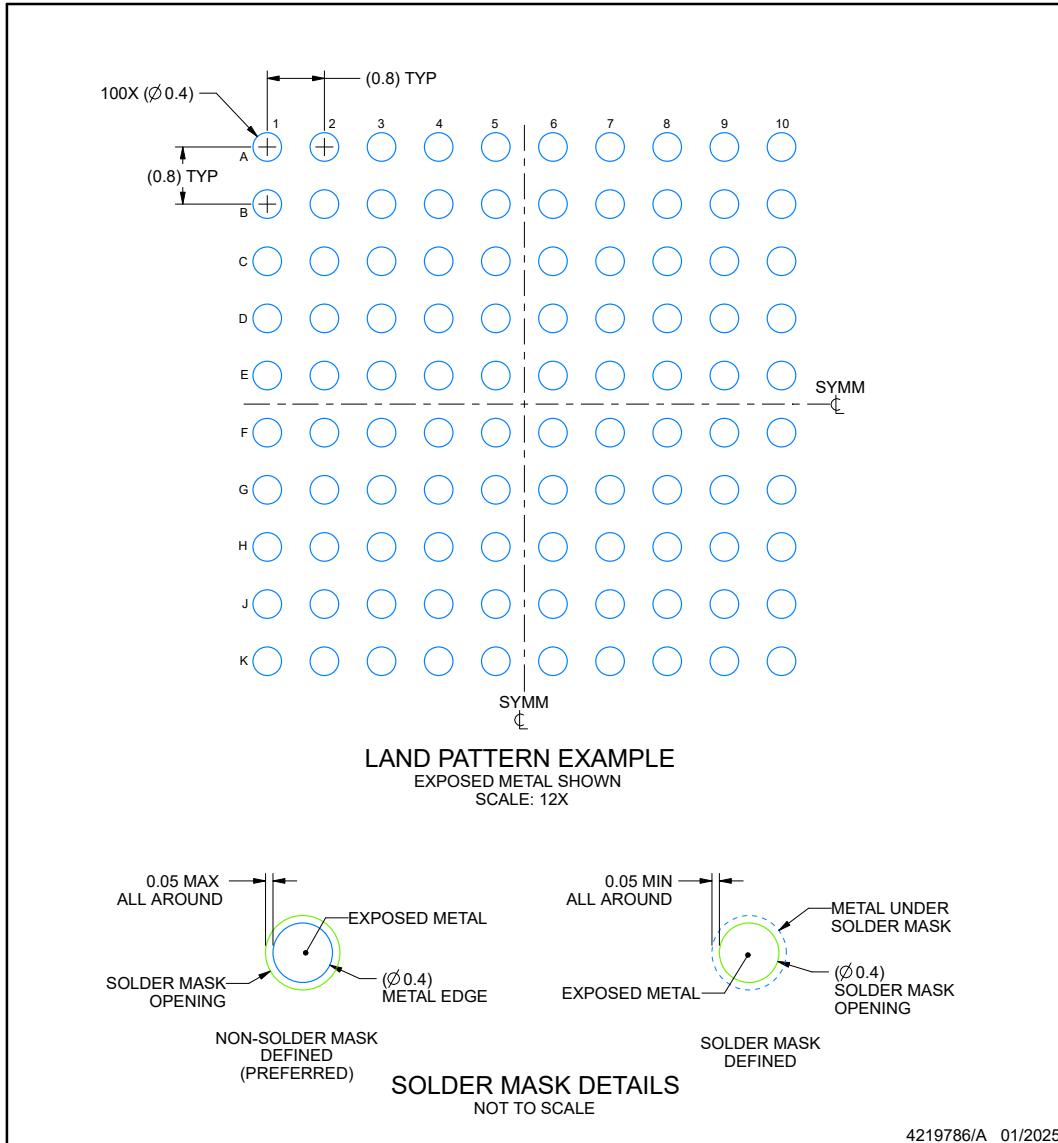
1. All linear dimensions are in millimeters. Any dimensions in parenthesis are for reference only. Dimensioning and tolerancing per ASME Y14.5M.
2. This drawing is subject to change without notice.

**EXAMPLE BOARD LAYOUT**

**ZAW0100A**

**NFBGA - 1.5 mm max height**

PLASTIC BALL GRID ARRAY



NOTES: (continued)

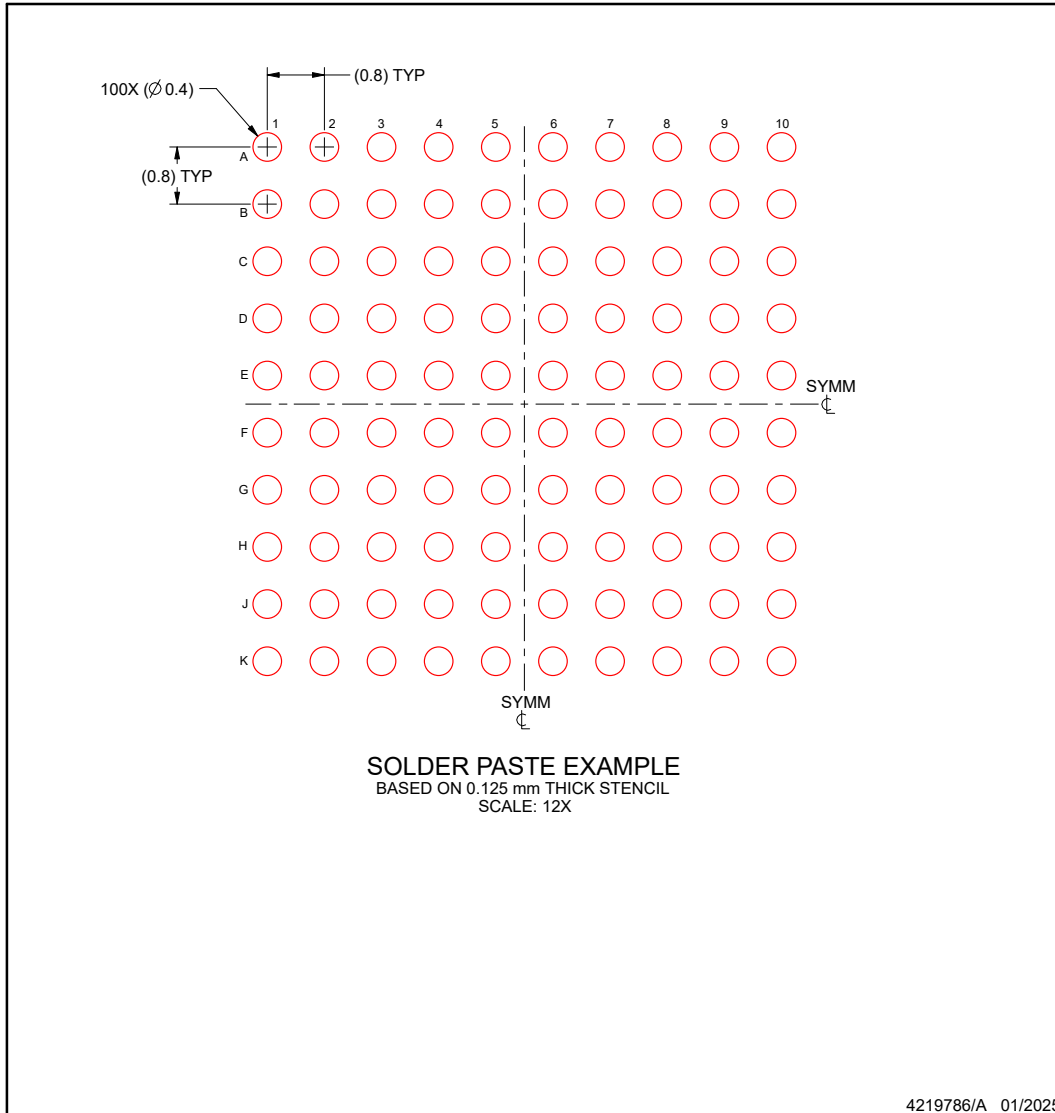
- 3. Final dimensions may vary due to manufacturing tolerance considerations and also routing constraints. For information, see Texas Instruments literature number SPRAA99 (www.ti.com/lit/spraa99).

## EXAMPLE STENCIL DESIGN

**ZAW0100A**

**NFBGA - 1.5 mm max height**

PLASTIC BALL GRID ARRAY

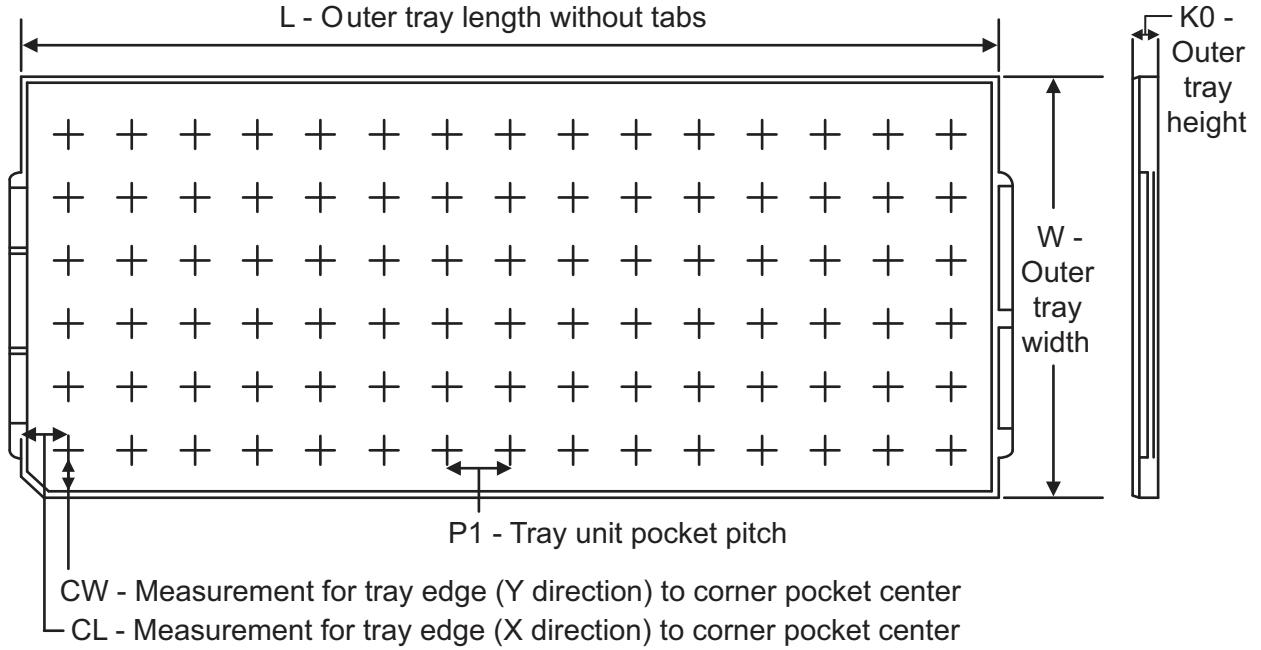


NOTES: (continued)

4. Laser cutting apertures with trapezoidal walls and rounded corners may offer better paste release.



## 12.1 Tray Information



Chamfer on Tray corner indicates Pin 1 orientation of packed units.

| Device        | Package Type | Package Name | Pins | SPQ | Unit Array Matrix | Max Temp. (Deg C) | L (mm) | W (mm) | K0 (μm) | P1 (mm) | CL (mm) | CW (mm) |
|---------------|--------------|--------------|------|-----|-------------------|-------------------|--------|--------|---------|---------|---------|---------|
| MSPM0G1518SPM | PM           | LQFP         | 64   | 160 | 8x20              | 150               | 315    | 135.9  | 7620    | 15.2    | 13.1    | 13      |

## PACKAGE OPTION ADDENDUM

### PACKAGING INFORMATION

| Orderable part number | Status | Material type | Package   Pins | Package qty   Carrier | RoHS | Lead finish/Ball material | MSL rating/Peak reflow | Op temp (°C) | Part marking |
|-----------------------|--------|---------------|----------------|-----------------------|------|---------------------------|------------------------|--------------|--------------|
| MSPM0G1518SPM         | Active | Production    | LQFP (PM)   64 | Tray                  | Yes  | NiPdAu                    | Level 2 (260C)         | 125          | M0G1518S     |

**Important Information and Disclaimer:** The information provided on this page represents TI's knowledge and belief as of the date that it is provided. TI bases its knowledge and belief on information provided by third parties, and makes no representation or warranty as to the accuracy of such information. Efforts are underway to better integrate information from third parties. TI has taken and continues to take reasonable steps to provide representative and accurate information but may not have conducted destructive testing or chemical analysis on incoming materials and chemicals. TI and TI suppliers consider certain information to be proprietary, and thus CAS numbers and other limited information may not be available for release.

In no event shall TI's liability arising out of such information exceed the total purchase price of the TI part(s) at issue in this document sold by TI to Customer on an annual basis.

**PACKAGING INFORMATION**

| Orderable part number           | Status<br>(1) | Material type<br>(2) | Package   Pins    | Package qty   Carrier | RoHS<br>(3) | Lead finish/<br>Ball material<br>(4) | MSL rating/<br>Peak reflow<br>(5) | Op temp (°C) | Part marking<br>(6) |
|---------------------------------|---------------|----------------------|-------------------|-----------------------|-------------|--------------------------------------|-----------------------------------|--------------|---------------------|
| <a href="#">MSPM0G1518SPM</a>   | Active        | Production           | LQFP (PM)   64    | 160   LARGE T&R       | Yes         | NIPDAU                               | Level-2-260C-1 YEAR               | -            | M0G1518S            |
| <a href="#">MSPM0G1518SPMR</a>  | Active        | Production           | LQFP (PM)   64    | 1000   LARGE T&R      | Yes         | NIPDAU                               | Level-2-260C-1 YEAR               | -40 to 125   | M0G1518S            |
| <a href="#">MSPM0G1518SPNR</a>  | Active        | Production           | LQFP (PN)   80    | 1000   LARGE T&R      | Yes         | NIPDAU                               | Level-3-260C-168 HR               | -40 to 125   | M0G1518S            |
| <a href="#">MSPM0G1518SPTR</a>  | Active        | Production           | LQFP (PT)   48    | 1000   LARGE T&R      | Yes         | NIPDAU                               | Level-2-260C-1 YEAR               | -40 to 125   | M0G1518S            |
| <a href="#">MSPM0G1518SPZR</a>  | Active        | Production           | LQFP (PZ)   100   | 1000   LARGE T&R      | Yes         | NIPDAU                               | Level-3-260C-168 HR               | -40 to 125   | M0G1518S            |
| <a href="#">MSPM0G1518SRGZR</a> | Active        | Production           | VQFN (RGZ)   48   | 4000   LARGE T&R      | Yes         | NIPDAU                               | Level-2-260C-1 YEAR               | -40 to 125   | MSPM0<br>G1518S     |
| <a href="#">MSPM0G1518SRHBR</a> | Active        | Production           | VQFN (RHB)   32   | 3000   LARGE T&R      | Yes         | NIPDAU                               | Level-2-260C-1 YEAR               | -40 to 125   | MSPM0<br>G1518S     |
| <a href="#">MSPM0G1518SZAWR</a> | Active        | Production           | NFBGA (ZAW)   100 | 1000   LARGE T&R      | Yes         | SNAGCU                               | Level-3-260C-168 HR               | -40 to 125   | M0G1518S            |
| <a href="#">MSPM0G1519SPMR</a>  | Active        | Production           | LQFP (PM)   64    | 1000   LARGE T&R      | Yes         | NIPDAU                               | Level-2-260C-1 YEAR               | -40 to 125   | M0G1519S            |
| <a href="#">MSPM0G1519SPNR</a>  | Active        | Production           | LQFP (PN)   80    | 1000   LARGE T&R      | Yes         | NIPDAU                               | Level-3-260C-168 HR               | -40 to 125   | M0G1519S            |
| <a href="#">MSPM0G1519SPTR</a>  | Active        | Production           | LQFP (PT)   48    | 1000   LARGE T&R      | Yes         | NIPDAU                               | Level-2-260C-1 YEAR               | -40 to 125   | M0G1519S            |
| <a href="#">MSPM0G1519SPZR</a>  | Active        | Production           | LQFP (PZ)   100   | 1000   LARGE T&R      | Yes         | NIPDAU                               | Level-3-260C-168 HR               | -40 to 125   | M0G1519S            |
| <a href="#">MSPM0G1519SRGZR</a> | Active        | Production           | VQFN (RGZ)   48   | 4000   LARGE T&R      | Yes         | NIPDAU                               | Level-2-260C-1 YEAR               | -40 to 125   | MSPM0<br>G1519S     |
| <a href="#">MSPM0G1519SRHBR</a> | Active        | Production           | VQFN (RHB)   32   | 3000   LARGE T&R      | Yes         | NIPDAU                               | Level-2-260C-1 YEAR               | -40 to 125   | MSPM0<br>G1519S     |
| <a href="#">MSPM0G1519SZAWR</a> | Active        | Production           | NFBGA (ZAW)   100 | 1000   LARGE T&R      | Yes         | SNAGCU                               | Level-3-260C-168 HR               | -40 to 125   | M0G1519S            |
| <a href="#">MSPM0G3518SPMR</a>  | Active        | Production           | LQFP (PM)   64    | 1000   LARGE T&R      | Yes         | NIPDAU                               | Level-2-260C-1 YEAR               | -40 to 125   | M0G3518S            |
| <a href="#">MSPM0G3518SPNR</a>  | Active        | Production           | LQFP (PN)   80    | 1000   LARGE T&R      | Yes         | NIPDAU                               | Level-3-260C-168 HR               | -40 to 125   | M0G3518S            |
| <a href="#">MSPM0G3518SPTR</a>  | Active        | Production           | LQFP (PT)   48    | 1000   LARGE T&R      | Yes         | NIPDAU                               | Level-2-260C-1 YEAR               | -40 to 125   | M0G3518S            |
| <a href="#">MSPM0G3518SPZR</a>  | Active        | Production           | LQFP (PZ)   100   | 1000   LARGE T&R      | Yes         | NIPDAU                               | Level-3-260C-168 HR               | -40 to 125   | M0G3518S            |
| <a href="#">MSPM0G3518SRGZR</a> | Active        | Production           | VQFN (RGZ)   48   | 4000   LARGE T&R      | Yes         | NIPDAU                               | Level-2-260C-1 YEAR               | -40 to 125   | MSPM0<br>G3518S     |
| <a href="#">MSPM0G3518SRHBR</a> | Active        | Production           | VQFN (RHB)   32   | 3000   LARGE T&R      | Yes         | NIPDAU                               | Level-2-260C-1 YEAR               | -40 to 125   | MSPM0<br>G3518S     |
| <a href="#">MSPM0G3518SZAWR</a> | Active        | Production           | NFBGA (ZAW)   100 | 1000   LARGE T&R      | Yes         | SNAGCU                               | Level-3-260C-168 HR               | -40 to 125   | M0G3518S            |
| <a href="#">MSPM0G3519SPMR</a>  | Active        | Production           | LQFP (PM)   64    | 1000   LARGE T&R      | Yes         | NIPDAU                               | Level-2-260C-1 YEAR               | -40 to 125   | M0G3519S            |
| <a href="#">MSPM0G3519SPNR</a>  | Active        | Production           | LQFP (PN)   80    | 1000   LARGE T&R      | Yes         | NIPDAU                               | Level-3-260C-168 HR               | -40 to 125   | M0G3519S            |
| <a href="#">MSPM0G3519SPTR</a>  | Active        | Production           | LQFP (PT)   48    | 1000   LARGE T&R      | Yes         | NIPDAU                               | Level-2-260C-1 YEAR               | -40 to 125   | M0G3519S            |

| Orderable part number              | Status<br>(1) | Material type<br>(2) | Package   Pins    | Package qty   Carrier | RoHS<br>(3) | Lead finish/<br>Ball material<br>(4) | MSL rating/<br>Peak reflow<br>(5) | Op temp (°C) | Part marking<br>(6) |
|------------------------------------|---------------|----------------------|-------------------|-----------------------|-------------|--------------------------------------|-----------------------------------|--------------|---------------------|
| <a href="#">MSPM0G3519SPZR</a>     | Active        | Production           | LQFP (PZ)   100   | 1000   LARGE T&R      | Yes         | NIPDAU                               | Level-3-260C-168 HR               | -40 to 125   | M0G3519S            |
| <a href="#">MSPM0G3519SRGZR</a>    | Active        | Production           | VQFN (RGZ)   48   | 4000   LARGE T&R      | Yes         | NIPDAU                               | Level-2-260C-1 YEAR               | -40 to 125   | MSPM0<br>G3519S     |
| <a href="#">MSPM0G3519SRHBR</a>    | Active        | Production           | VQFN (RHB)   32   | 5000   LARGE T&R      | Yes         | NIPDAU                               | Level-2-260C-1 YEAR               | -40 to 125   | MSPM0<br>G3519S     |
| <a href="#">MSPM0G3519SZAWR</a>    | Active        | Production           | NFBGA (ZAW)   100 | 1000   LARGE T&R      | Yes         | SNAGCU                               | Level-3-260C-168 HR               | -40 to 125   | M0G3519S            |
| <a href="#">XMSPM0G1519SRGZR</a>   | Active        | Preproduction        | VQFN (RGZ)   48   | 4000   LARGE T&R      | -           | Call TI                              | Call TI                           | -40 to 125   |                     |
| <a href="#">XMSPM0G1519SRGZR.A</a> | Active        | Preproduction        | VQFN (RGZ)   48   | 4000   LARGE T&R      | -           | Call TI                              | Call TI                           | -40 to 125   |                     |
| <a href="#">XMSPM0G1519SRHBR</a>   | Active        | Preproduction        | VQFN (RHB)   32   | 5000   LARGE T&R      | -           | Call TI                              | Call TI                           | -40 to 125   |                     |
| <a href="#">XMSPM0G1519SRHBR.A</a> | Active        | Preproduction        | VQFN (RHB)   32   | 5000   LARGE T&R      | -           | Call TI                              | Call TI                           | -40 to 125   |                     |
| <a href="#">XMSPM0G3519SPMR</a>    | Active        | Preproduction        | LQFP (PM)   64    | 1000   LARGE T&R      | -           | Call TI                              | Call TI                           | -40 to 125   |                     |
| <a href="#">XMSPM0G3519SPMR.A</a>  | Active        | Preproduction        | LQFP (PM)   64    | 1000   LARGE T&R      | -           | Call TI                              | Call TI                           | -40 to 125   |                     |
| <a href="#">XMSPM0G3519SPNR</a>    | Active        | Preproduction        | LQFP (PN)   80    | 1000   LARGE T&R      | -           | Call TI                              | Call TI                           | -40 to 125   |                     |
| <a href="#">XMSPM0G3519SPNR.A</a>  | Active        | Preproduction        | LQFP (PN)   80    | 1000   LARGE T&R      | -           | Call TI                              | Call TI                           | -40 to 125   |                     |
| <a href="#">XMSPM0G3519SPZR</a>    | Active        | Preproduction        | LQFP (PZ)   100   | 1000   LARGE T&R      | -           | Call TI                              | Call TI                           | -40 to 125   |                     |
| <a href="#">XMSPM0G3519SPZR.A</a>  | Active        | Preproduction        | LQFP (PZ)   100   | 1000   LARGE T&R      | -           | Call TI                              | Call TI                           | -40 to 125   |                     |
| <a href="#">XMSPM0G3519SRGZR</a>   | Active        | Preproduction        | VQFN (RGZ)   48   | 4000   LARGE T&R      | -           | Call TI                              | Call TI                           | -40 to 125   |                     |
| <a href="#">XMSPM0G3519SRGZR.A</a> | Active        | Preproduction        | VQFN (RGZ)   48   | 4000   LARGE T&R      | -           | Call TI                              | Call TI                           | -40 to 125   |                     |
| <a href="#">XMSPM0G3519SRHBR</a>   | Active        | Preproduction        | VQFN (RHB)   32   | 5000   LARGE T&R      | -           | Call TI                              | Call TI                           | -40 to 125   |                     |
| <a href="#">XMSPM0G3519SRHBR.A</a> | Active        | Preproduction        | VQFN (RHB)   32   | 5000   LARGE T&R      | -           | Call TI                              | Call TI                           | -40 to 125   |                     |

(1) **Status:** For more details on status, see our [product life cycle](#).

(2) **Material type:** When designated, preproduction parts are prototypes/experimental devices, and are not yet approved or released for full production. Testing and final process, including without limitation quality assurance, reliability performance testing, and/or process qualification, may not yet be complete, and this item is subject to further changes or possible discontinuation. If available for ordering, purchases will be subject to an additional waiver at checkout, and are intended for early internal evaluation purposes only. These items are sold without warranties of any kind.

(3) **RoHS values:** Yes, No, RoHS Exempt. See the [TI RoHS Statement](#) for additional information and value definition.

(4) **Lead finish/Ball material:** Parts may have multiple material finish options. Finish options are separated by a vertical ruled line. Lead finish/Ball material values may wrap to two lines if the finish value exceeds the maximum column width.

(5) **MSL rating/Peak reflow:** The moisture sensitivity level ratings and peak solder (reflow) temperatures. In the event that a part has multiple moisture sensitivity ratings, only the lowest level per JEDEC standards is shown. Refer to the shipping label for the actual reflow temperature that will be used to mount the part to the printed circuit board.

(6) **Part marking:** There may be an additional marking, which relates to the logo, the lot trace code information, or the environmental category of the part.

Multiple part markings will be inside parentheses. Only one part marking contained in parentheses and separated by a "~" will appear on a part. If a line is indented then it is a continuation of the previous line and the two combined represent the entire part marking for that device.

**Important Information and Disclaimer:**The information provided on this page represents TI's knowledge and belief as of the date that it is provided. TI bases its knowledge and belief on information provided by third parties, and makes no representation or warranty as to the accuracy of such information. Efforts are underway to better integrate information from third parties. TI has taken and continues to take reasonable steps to provide representative and accurate information but may not have conducted destructive testing or chemical analysis on incoming materials and chemicals. TI and TI suppliers consider certain information to be proprietary, and thus CAS numbers and other limited information may not be available for release.

In no event shall TI's liability arising out of such information exceed the total purchase price of the TI part(s) at issue in this document sold by TI to Customer on an annual basis.

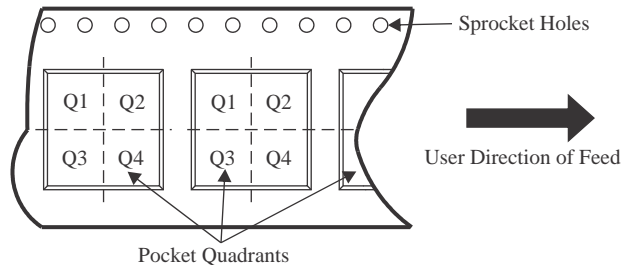
**OTHER QUALIFIED VERSIONS OF MSPM0G3518, MSPM0G3519 :**

- Automotive : [MSPM0G3518-Q1](#), [MSPM0G3519-Q1](#)

NOTE: Qualified Version Definitions:

- Automotive - Q100 devices qualified for high-reliability automotive applications targeting zero defects

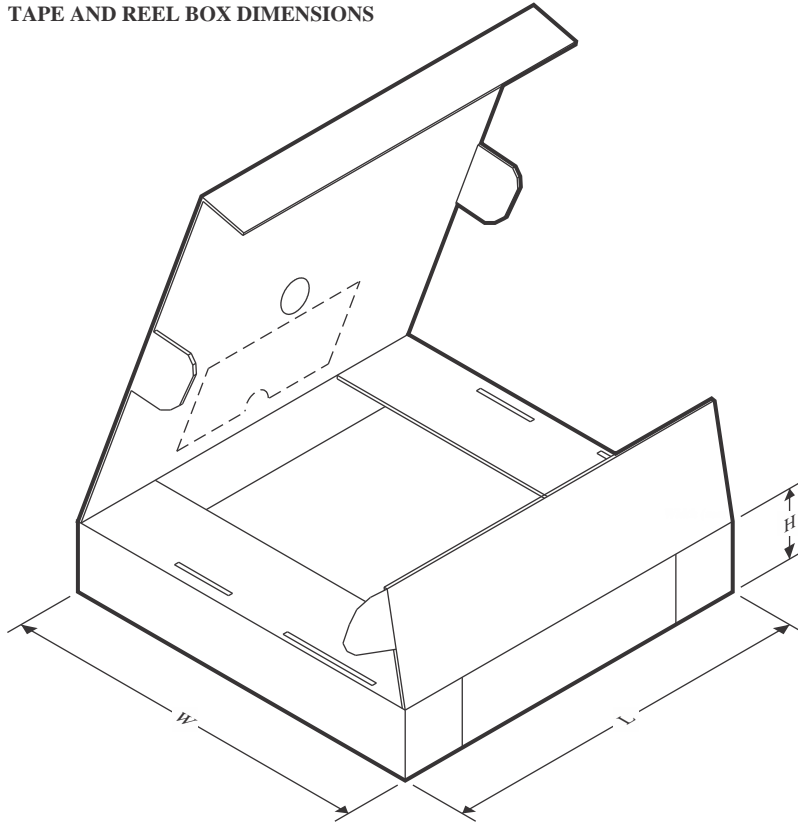
**TAPE AND REEL INFORMATION**

**QUADRANT ASSIGNMENTS FOR PIN 1 ORIENTATION IN TAPE**


\*All dimensions are nominal

| Device          | Package Type | Package Drawing | Pins | SPQ  | Reel Diameter (mm) | Reel Width W1 (mm) | A0 (mm) | B0 (mm) | K0 (mm) | P1 (mm) | W (mm) | Pin1 Quadrant |
|-----------------|--------------|-----------------|------|------|--------------------|--------------------|---------|---------|---------|---------|--------|---------------|
| MSPM0G1518SPMR  | LQFP         | PM              | 64   | 1000 | 330.0              | 24.4               | 12.5    | 12.5    | 2.2     | 16.0    | 24.0   | Q2            |
| MSPM0G1518SPNR  | LQFP         | PN              | 80   | 1000 | 330.0              | 24.4               | 16.0    | 16.0    | 2.0     | 24.0    | 24.0   | Q2            |
| MSPM0G1518SPTR  | LQFP         | PT              | 48   | 1000 | 330.0              | 16.4               | 9.6     | 9.6     | 1.9     | 12.0    | 16.0   | Q2            |
| MSPM0G1518SPZR  | LQFP         | PZ              | 100  | 1000 | 330.0              | 32.4               | 16.9    | 16.9    | 2.0     | 24.0    | 32.0   | Q2            |
| MSPM0G1518SRGZR | VQFN         | RGZ             | 48   | 4000 | 330.0              | 16.4               | 7.3     | 7.3     | 1.1     | 12.0    | 16.0   | Q2            |
| MSPM0G1518SRHBR | VQFN         | RHB             | 32   | 3000 | 330.0              | 12.4               | 5.3     | 5.3     | 1.1     | 8.0     | 12.0   | Q2            |
| MSPM0G1518SZAWR | NFBGA        | ZAW             | 100  | 1000 | 330.0              | 16.4               | 9.3     | 9.3     | 1.5     | 12.0    | 16.0   | Q1            |
| MSPM0G1519SPMR  | LQFP         | PM              | 64   | 1000 | 330.0              | 24.4               | 12.5    | 12.5    | 2.2     | 16.0    | 24.0   | Q2            |
| MSPM0G1519SPNR  | LQFP         | PN              | 80   | 1000 | 330.0              | 24.4               | 16.0    | 16.0    | 2.0     | 24.0    | 24.0   | Q2            |
| MSPM0G1519SPTR  | LQFP         | PT              | 48   | 1000 | 330.0              | 16.4               | 9.6     | 9.6     | 1.9     | 12.0    | 16.0   | Q2            |
| MSPM0G1519SPZR  | LQFP         | PZ              | 100  | 1000 | 330.0              | 32.4               | 16.9    | 16.9    | 2.0     | 24.0    | 32.0   | Q2            |
| MSPM0G1519SRGZR | VQFN         | RGZ             | 48   | 4000 | 330.0              | 16.4               | 7.3     | 7.3     | 1.1     | 12.0    | 16.0   | Q2            |
| MSPM0G1519SRHBR | VQFN         | RHB             | 32   | 3000 | 330.0              | 12.4               | 5.3     | 5.3     | 1.1     | 8.0     | 12.0   | Q2            |
| MSPM0G1519SZAWR | NFBGA        | ZAW             | 100  | 1000 | 330.0              | 16.4               | 9.3     | 9.3     | 1.5     | 12.0    | 16.0   | Q1            |
| MSPM0G3518SPMR  | LQFP         | PM              | 64   | 1000 | 330.0              | 24.4               | 12.5    | 12.5    | 2.2     | 16.0    | 24.0   | Q2            |
| MSPM0G3518SPNR  | LQFP         | PN              | 80   | 1000 | 330.0              | 24.4               | 16.0    | 16.0    | 2.0     | 24.0    | 24.0   | Q2            |

| Device          | Package Type | Package Drawing | Pins | SPQ  | Reel Diameter (mm) | Reel Width W1 (mm) | A0 (mm) | B0 (mm) | K0 (mm) | P1 (mm) | W (mm) | Pin1 Quadrant |
|-----------------|--------------|-----------------|------|------|--------------------|--------------------|---------|---------|---------|---------|--------|---------------|
| MSPM0G3518SPTR  | LQFP         | PT              | 48   | 1000 | 330.0              | 16.4               | 9.6     | 9.6     | 1.9     | 12.0    | 16.0   | Q2            |
| MSPM0G3518SPZR  | LQFP         | PZ              | 100  | 1000 | 330.0              | 32.4               | 16.9    | 16.9    | 2.0     | 24.0    | 32.0   | Q2            |
| MSPM0G3518SRGZR | VQFN         | RGZ             | 48   | 4000 | 330.0              | 16.4               | 7.3     | 7.3     | 1.1     | 12.0    | 16.0   | Q2            |
| MSPM0G3518SRHBR | VQFN         | RHB             | 32   | 3000 | 330.0              | 12.4               | 5.3     | 5.3     | 1.1     | 8.0     | 12.0   | Q2            |
| MSPM0G3518SZAWR | NFBGA        | ZAW             | 100  | 1000 | 330.0              | 16.4               | 9.3     | 9.3     | 1.5     | 12.0    | 16.0   | Q1            |
| MSPM0G3519SPMR  | LQFP         | PM              | 64   | 1000 | 330.0              | 24.4               | 12.5    | 12.5    | 2.2     | 16.0    | 24.0   | Q2            |
| MSPM0G3519SPNR  | LQFP         | PN              | 80   | 1000 | 330.0              | 24.4               | 16.0    | 16.0    | 2.0     | 24.0    | 24.0   | Q2            |
| MSPM0G3519SPTR  | LQFP         | PT              | 48   | 1000 | 330.0              | 16.4               | 9.6     | 9.6     | 1.9     | 12.0    | 16.0   | Q2            |
| MSPM0G3519SPZR  | LQFP         | PZ              | 100  | 1000 | 330.0              | 32.4               | 16.9    | 16.9    | 2.0     | 24.0    | 32.0   | Q2            |
| MSPM0G3519SRGZR | VQFN         | RGZ             | 48   | 4000 | 330.0              | 16.4               | 7.3     | 7.3     | 1.1     | 12.0    | 16.0   | Q2            |
| MSPM0G3519SRHBR | VQFN         | RHB             | 32   | 5000 | 330.0              | 12.4               | 5.3     | 5.3     | 1.1     | 8.0     | 12.0   | Q2            |
| MSPM0G3519SZAWR | NFBGA        | ZAW             | 100  | 1000 | 330.0              | 16.4               | 9.3     | 9.3     | 1.5     | 12.0    | 16.0   | Q1            |

**TAPE AND REEL BOX DIMENSIONS**


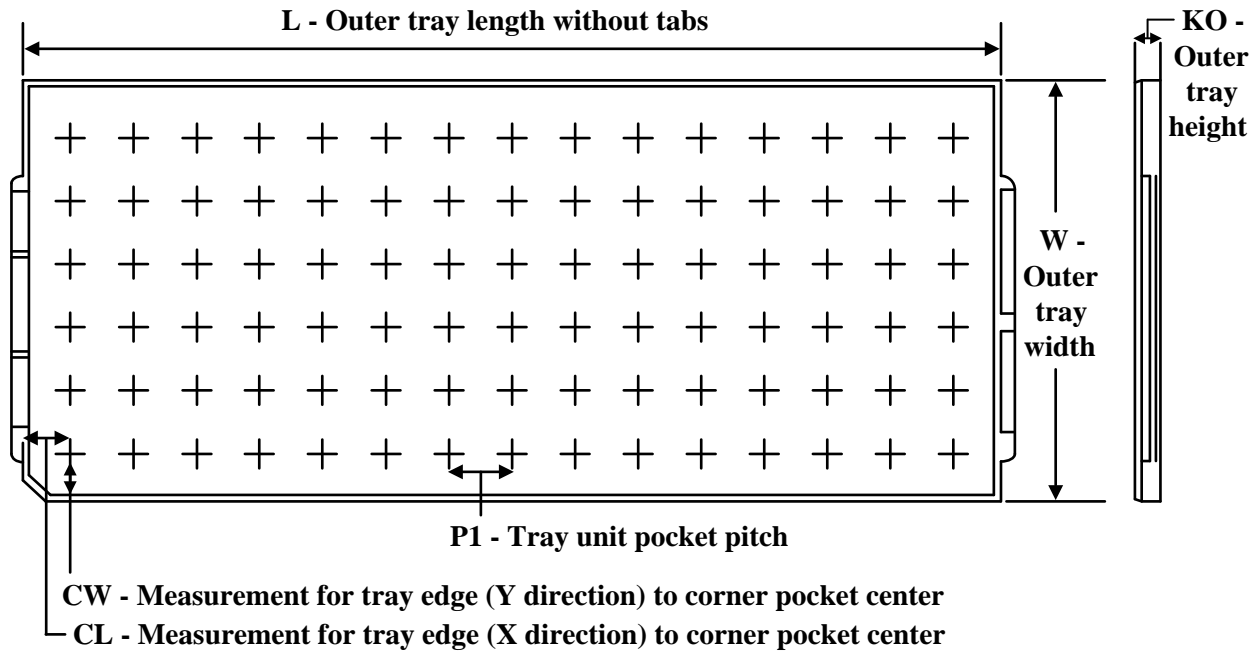
\*All dimensions are nominal

| Device          | Package Type | Package Drawing | Pins | SPQ  | Length (mm) | Width (mm) | Height (mm) |
|-----------------|--------------|-----------------|------|------|-------------|------------|-------------|
| MSPM0G1518SPMR  | LQFP         | PM              | 64   | 1000 | 336.6       | 336.6      | 41.3        |
| MSPM0G1518SPNR  | LQFP         | PN              | 80   | 1000 | 367.0       | 367.0      | 55.0        |
| MSPM0G1518SPTR  | LQFP         | PT              | 48   | 1000 | 336.6       | 336.6      | 31.8        |
| MSPM0G1518SPZR  | LQFP         | PZ              | 100  | 1000 | 367.0       | 367.0      | 55.0        |
| MSPM0G1518SRGZR | VQFN         | RGZ             | 48   | 4000 | 367.0       | 367.0      | 35.0        |
| MSPM0G1518SRHBR | VQFN         | RHB             | 32   | 3000 | 367.0       | 367.0      | 35.0        |
| MSPM0G1518SZAWR | NFBGA        | ZAW             | 100  | 1000 | 336.6       | 336.6      | 31.8        |
| MSPM0G1519SPMR  | LQFP         | PM              | 64   | 1000 | 336.6       | 336.6      | 41.3        |
| MSPM0G1519SPNR  | LQFP         | PN              | 80   | 1000 | 367.0       | 367.0      | 55.0        |
| MSPM0G1519SPTR  | LQFP         | PT              | 48   | 1000 | 336.6       | 336.6      | 31.8        |
| MSPM0G1519SPZR  | LQFP         | PZ              | 100  | 1000 | 367.0       | 367.0      | 55.0        |
| MSPM0G1519SRGZR | VQFN         | RGZ             | 48   | 4000 | 367.0       | 367.0      | 35.0        |
| MSPM0G1519SRHBR | VQFN         | RHB             | 32   | 3000 | 367.0       | 367.0      | 35.0        |
| MSPM0G1519SZAWR | NFBGA        | ZAW             | 100  | 1000 | 336.6       | 336.6      | 31.8        |
| MSPM0G3518SPMR  | LQFP         | PM              | 64   | 1000 | 336.6       | 336.6      | 41.3        |
| MSPM0G3518SPNR  | LQFP         | PN              | 80   | 1000 | 367.0       | 367.0      | 55.0        |
| MSPM0G3518SPTR  | LQFP         | PT              | 48   | 1000 | 336.6       | 336.6      | 31.8        |
| MSPM0G3518SPZR  | LQFP         | PZ              | 100  | 1000 | 367.0       | 367.0      | 55.0        |



| Device          | Package Type | Package Drawing | Pins | SPQ  | Length (mm) | Width (mm) | Height (mm) |
|-----------------|--------------|-----------------|------|------|-------------|------------|-------------|
| MSPM0G3518SRGZR | VQFN         | RGZ             | 48   | 4000 | 367.0       | 367.0      | 35.0        |
| MSPM0G3518SRHBR | VQFN         | RHB             | 32   | 3000 | 367.0       | 367.0      | 35.0        |
| MSPM0G3518SZAWR | NFBGA        | ZAW             | 100  | 1000 | 336.6       | 336.6      | 31.8        |
| MSPM0G3519SPMR  | LQFP         | PM              | 64   | 1000 | 336.6       | 336.6      | 41.3        |
| MSPM0G3519SPNR  | LQFP         | PN              | 80   | 1000 | 367.0       | 367.0      | 55.0        |
| MSPM0G3519SPTR  | LQFP         | PT              | 48   | 1000 | 336.6       | 336.6      | 31.8        |
| MSPM0G3519SPZR  | LQFP         | PZ              | 100  | 1000 | 367.0       | 367.0      | 55.0        |
| MSPM0G3519SRGZR | VQFN         | RGZ             | 48   | 4000 | 367.0       | 367.0      | 35.0        |
| MSPM0G3519SRHBR | VQFN         | RHB             | 32   | 5000 | 367.0       | 367.0      | 35.0        |
| MSPM0G3519SZAWR | NFBGA        | ZAW             | 100  | 1000 | 336.6       | 336.6      | 31.8        |

**TRAY**



Chamfer on Tray corner indicates Pin 1 orientation of packed units.

\*All dimensions are nominal

| Device        | Package Name | Package Type | Pins | SPQ | Unit array matrix | Max temperature (°C) | L (mm) | W (mm) | K0 (µm) | P1 (mm) | CL (mm) | CW (mm) |
|---------------|--------------|--------------|------|-----|-------------------|----------------------|--------|--------|---------|---------|---------|---------|
| MSPM0G1518SPM | PM           | LQFP         | 64   | 160 | 8 X 20            | 150                  | 315    | 135.9  | 7620    | 15.2    | 13.1    | 13      |

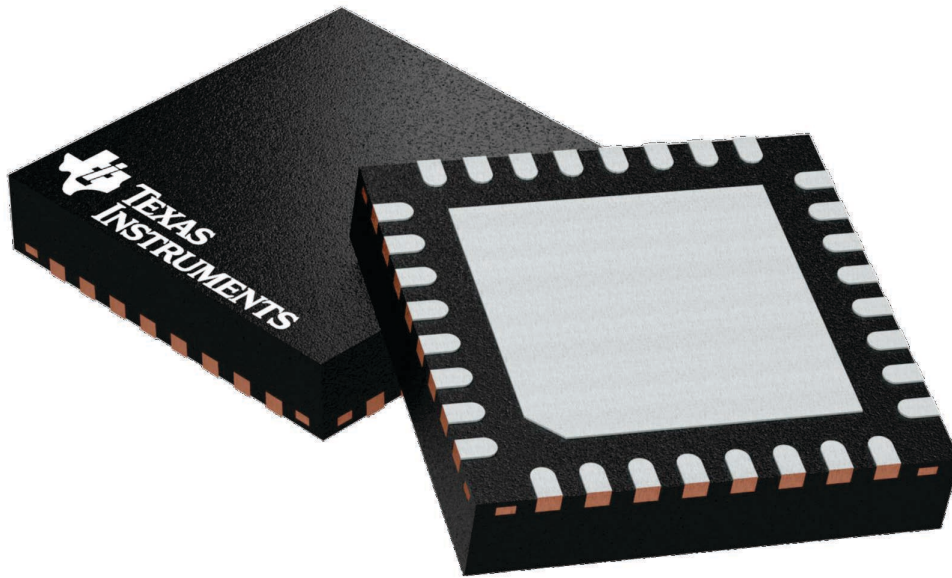
## GENERIC PACKAGE VIEW

**RHB 32**

**VQFN - 1 mm max height**

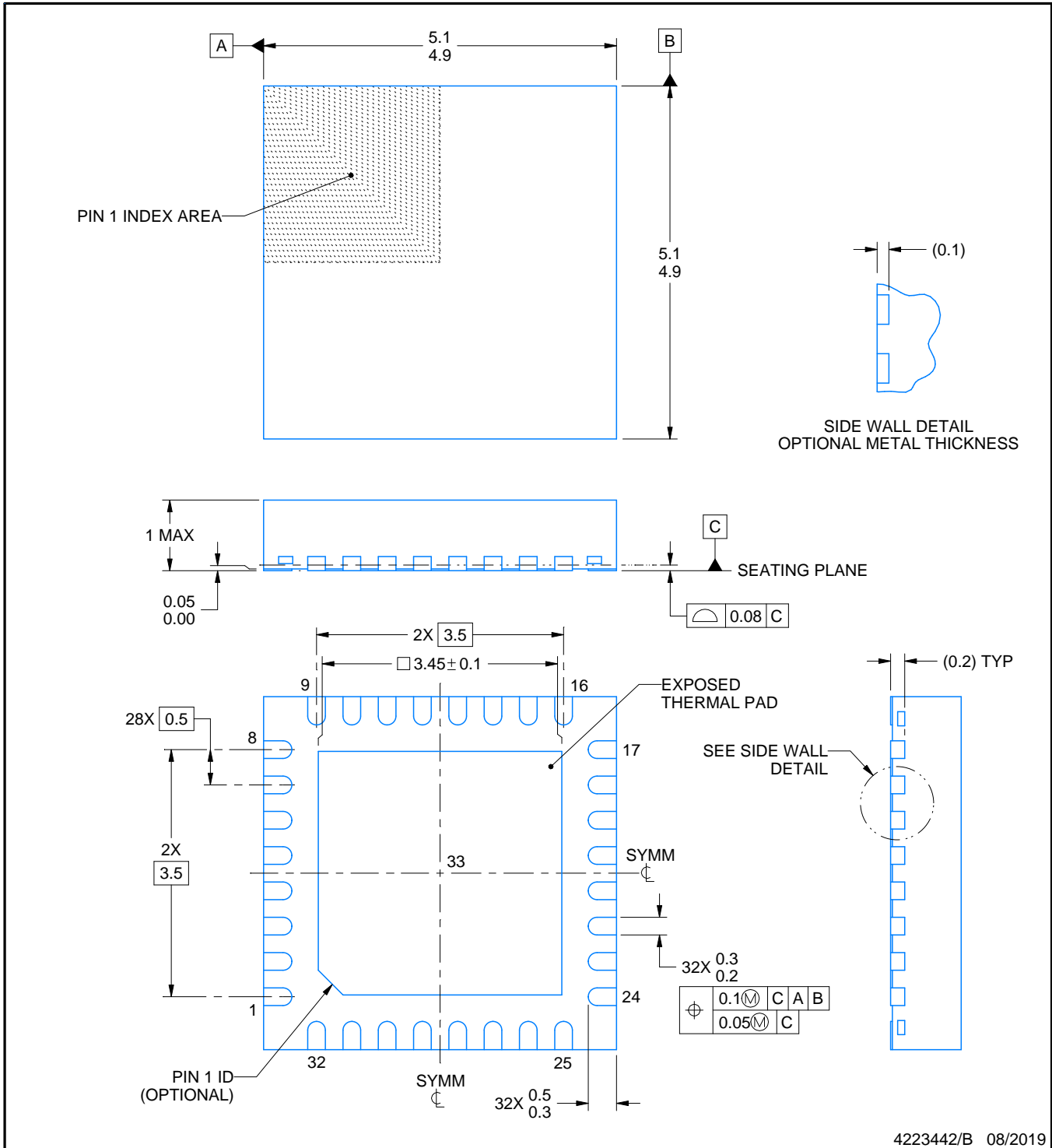
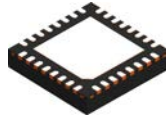
5 x 5, 0.5 mm pitch

PLASTIC QUAD FLATPACK - NO LEAD



Images above are just a representation of the package family, actual package may vary.  
Refer to the product data sheet for package details.

4224745/A



4223442/B 08/2019

NOTES:

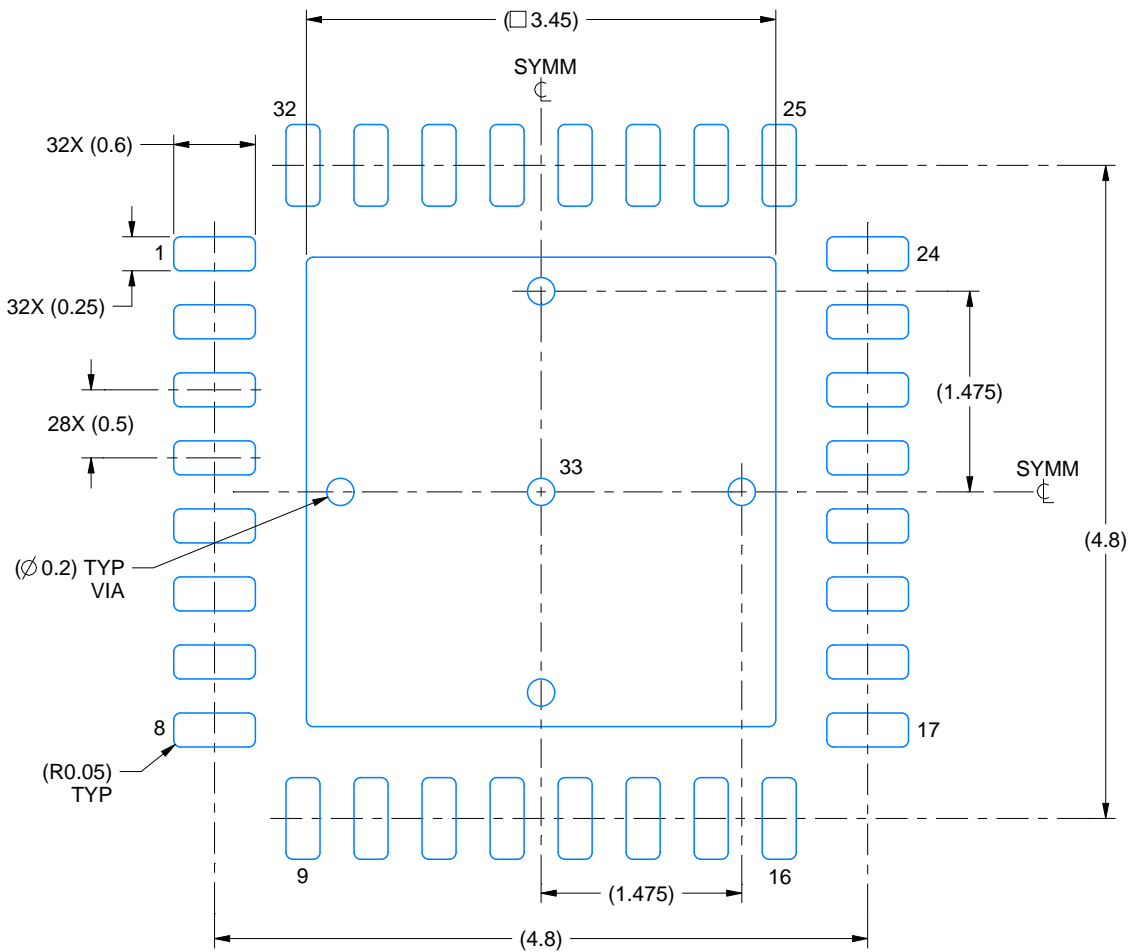
1. All linear dimensions are in millimeters. Any dimensions in parenthesis are for reference only. Dimensioning and tolerancing per ASME Y14.5M.
2. This drawing is subject to change without notice.
3. The package thermal pad must be soldered to the printed circuit board for thermal and mechanical performance.

# EXAMPLE BOARD LAYOUT

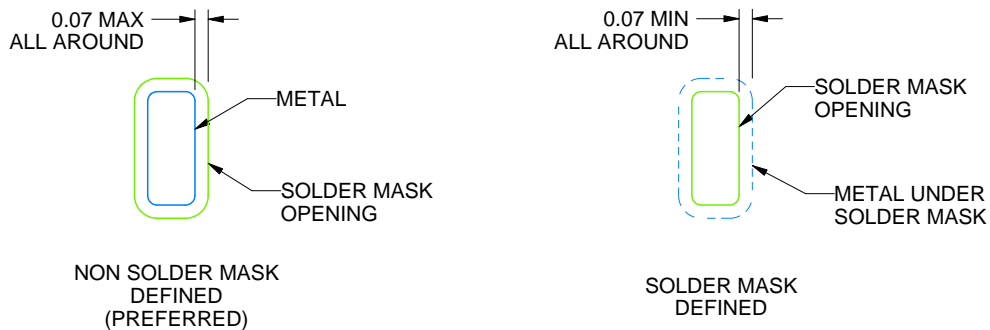
RHB0032E

VQFN - 1 mm max height

PLASTIC QUAD FLATPACK - NO LEAD



LAND PATTERN EXAMPLE  
SCALE:18X



SOLDER MASK DETAILS

4223442/B 08/2019

NOTES: (continued)

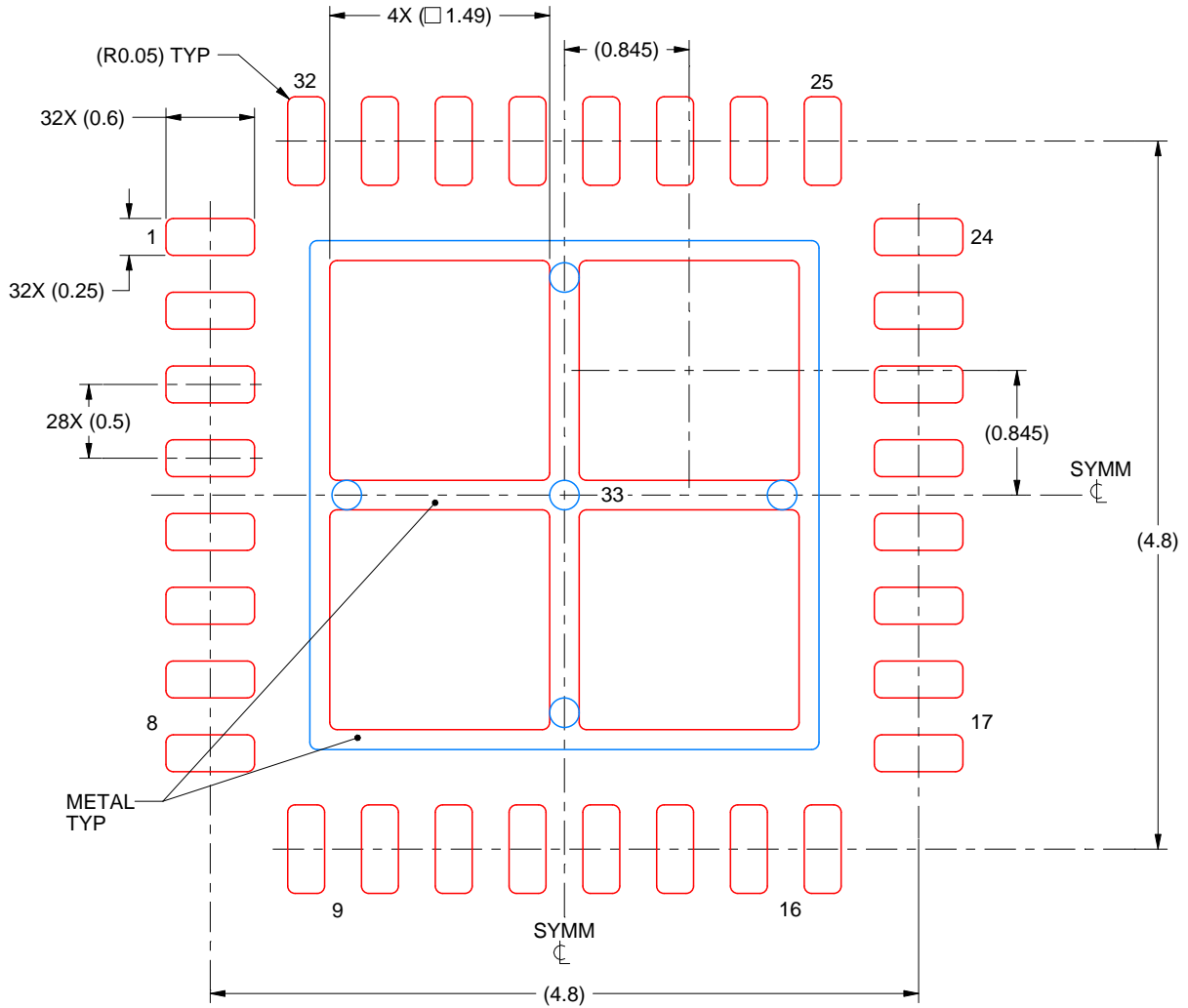
4. This package is designed to be soldered to a thermal pad on the board. For more information, see Texas Instruments literature number SLUA271 ([www.ti.com/lit/slua271](http://www.ti.com/lit/slua271)).
5. Vias are optional depending on application, refer to device data sheet. If any vias are implemented, refer to their locations shown on this view. It is recommended that vias under paste be filled, plugged or tented.

# EXAMPLE STENCIL DESIGN

RHB0032E

VQFN - 1 mm max height

PLASTIC QUAD FLATPACK - NO LEAD



**SOLDER PASTE EXAMPLE**  
 BASED ON 0.125 mm THICK STENCIL

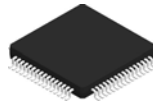
EXPOSED PAD 33:  
 75% PRINTED SOLDER COVERAGE BY AREA UNDER PACKAGE  
 SCALE:20X

4223442/B 08/2019

NOTES: (continued)

6. Laser cutting apertures with trapezoidal walls and rounded corners may offer better paste release. IPC-7525 may have alternate design recommendations.

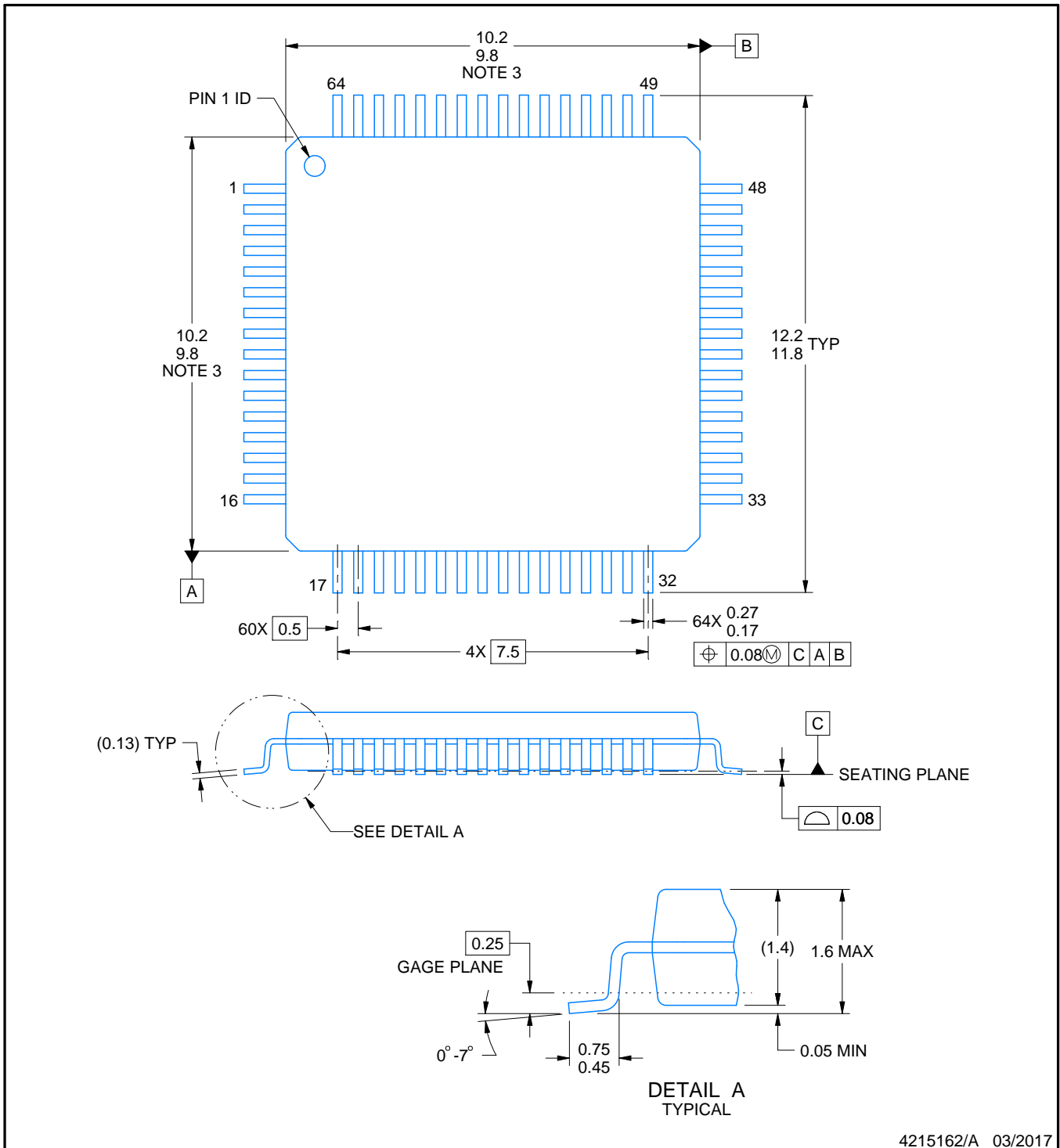
# PM0064A



## PACKAGE OUTLINE

LQFP - 1.6 mm max height

PLASTIC QUAD FLATPACK



4215162/A 03/2017

### NOTES:

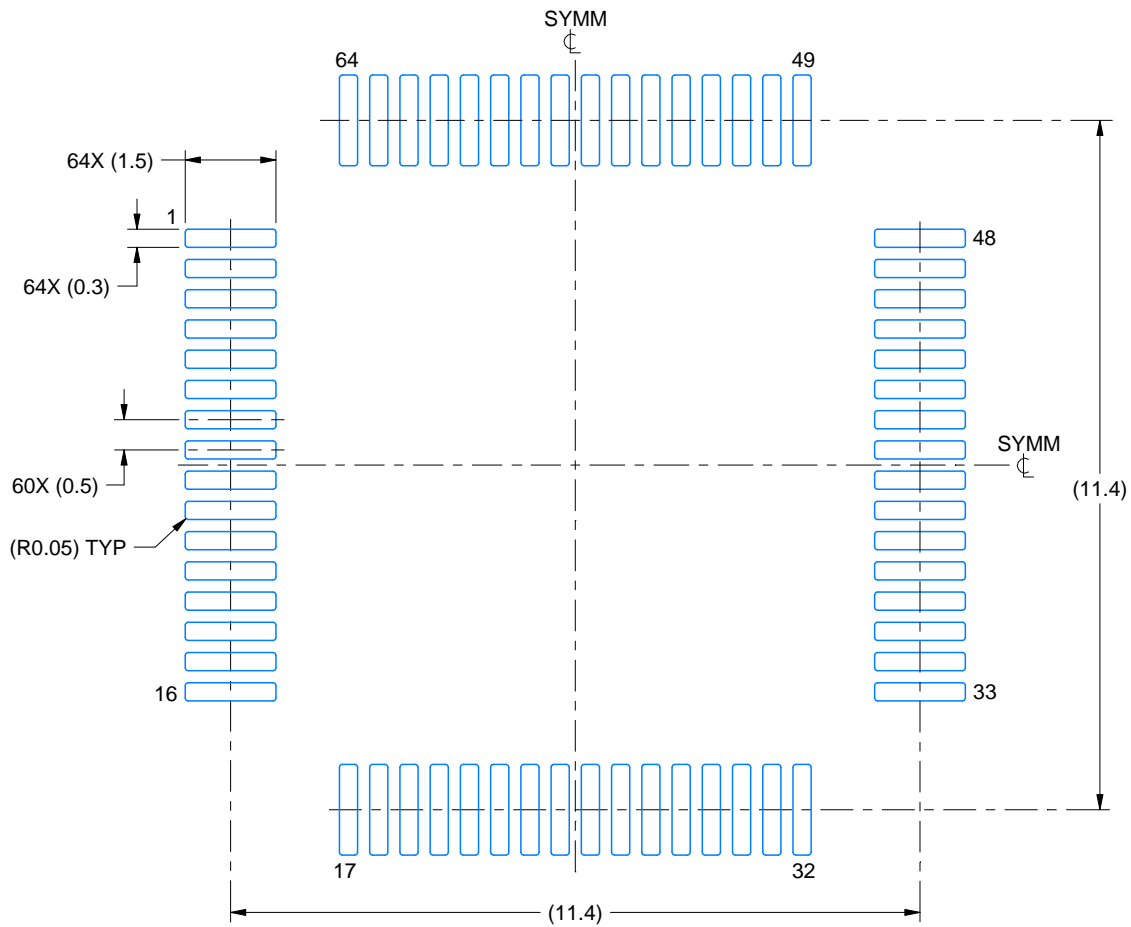
1. All linear dimensions are in millimeters. Any dimensions in parenthesis are for reference only. Dimensioning and tolerancing per ASME Y14.5M.
2. This drawing is subject to change without notice.
3. This dimension does not include mold flash, protrusions, or gate burrs. Mold flash, protrusions, or gate burrs shall not exceed 0.15 mm per side.
4. Reference JEDEC registration MS-026.

# EXAMPLE BOARD LAYOUT

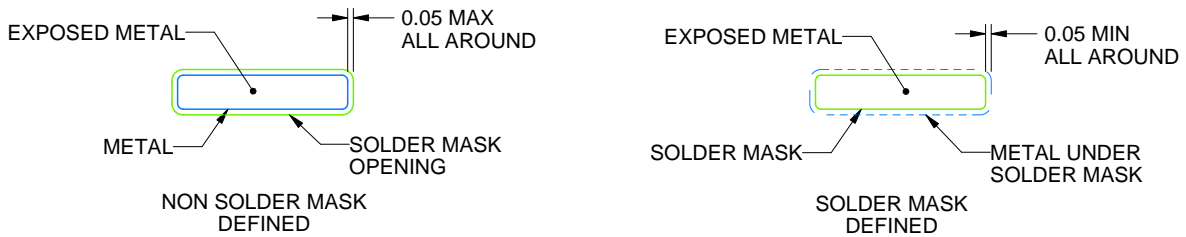
PM0064A

LQFP - 1.6 mm max height

PLASTIC QUAD FLATPACK



LAND PATTERN EXAMPLE  
EXPOSED METAL SHOWN  
SCALE:8X



SOLDER MASK DETAILS

4215162/A 03/2017

NOTES: (continued)

5. Publication IPC-7351 may have alternate designs.
6. Solder mask tolerances between and around signal pads can vary based on board fabrication site.
7. For more information, see Texas Instruments literature number SLMA004 ([www.ti.com/lit/slma004](http://www.ti.com/lit/slma004)).

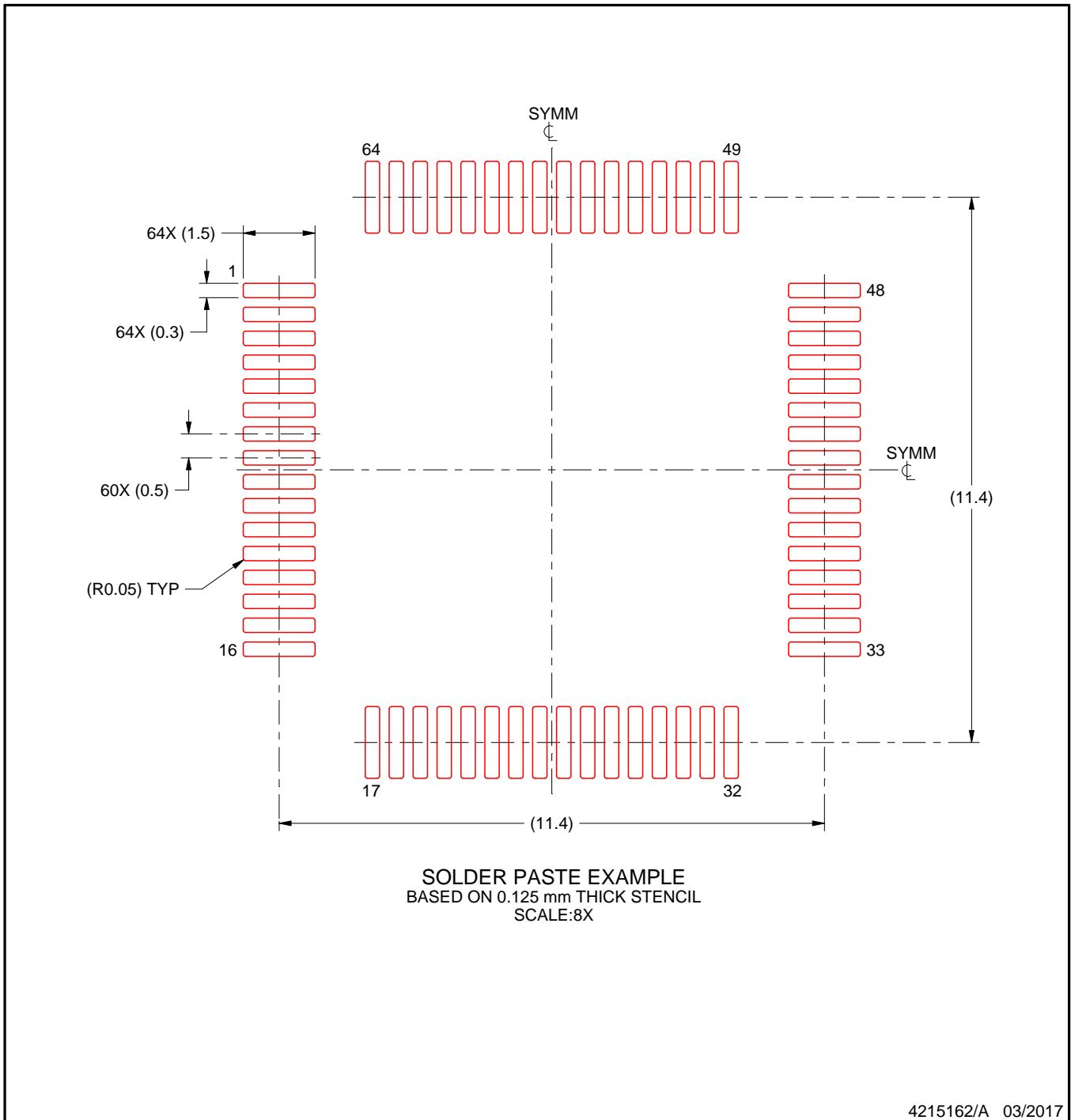


# EXAMPLE STENCIL DESIGN

PM0064A

LQFP - 1.6 mm max height

PLASTIC QUAD FLATPACK



NOTES: (continued)

8. Laser cutting apertures with trapezoidal walls and rounded corners may offer better paste release. IPC-7525 may have alternate design recommendations.
9. Board assembly site may have different recommendations for stencil design.

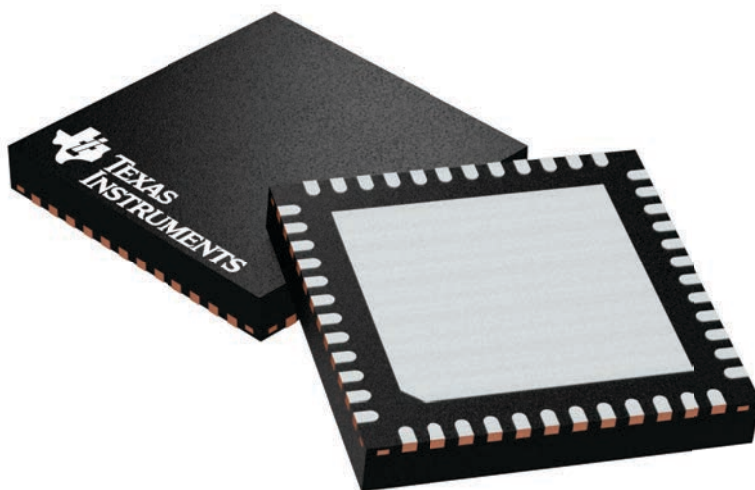
## GENERIC PACKAGE VIEW

**RGZ 48**

**VQFN - 1 mm max height**

7 x 7, 0.5 mm pitch

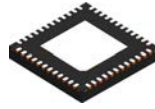
PLASTIC QUADFLAT PACK- NO LEAD



Images above are just a representation of the package family, actual package may vary.  
Refer to the product data sheet for package details.

4224671/A

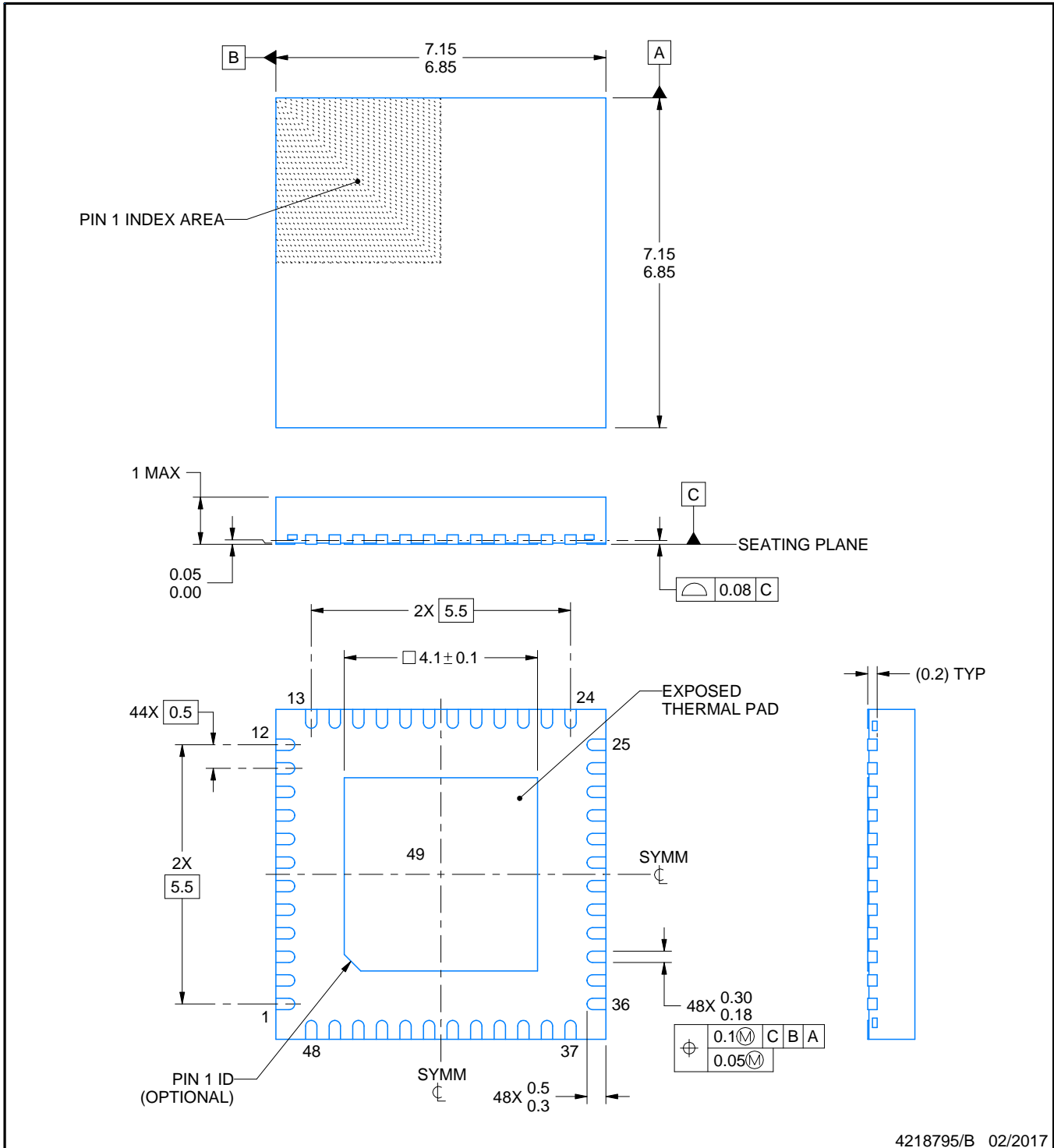
RGZ0048B



PACKAGE OUTLINE

VQFN - 1 mm max height

PLASTIC QUAD FLATPACK - NO LEAD



4218795/B 02/2017

NOTES:

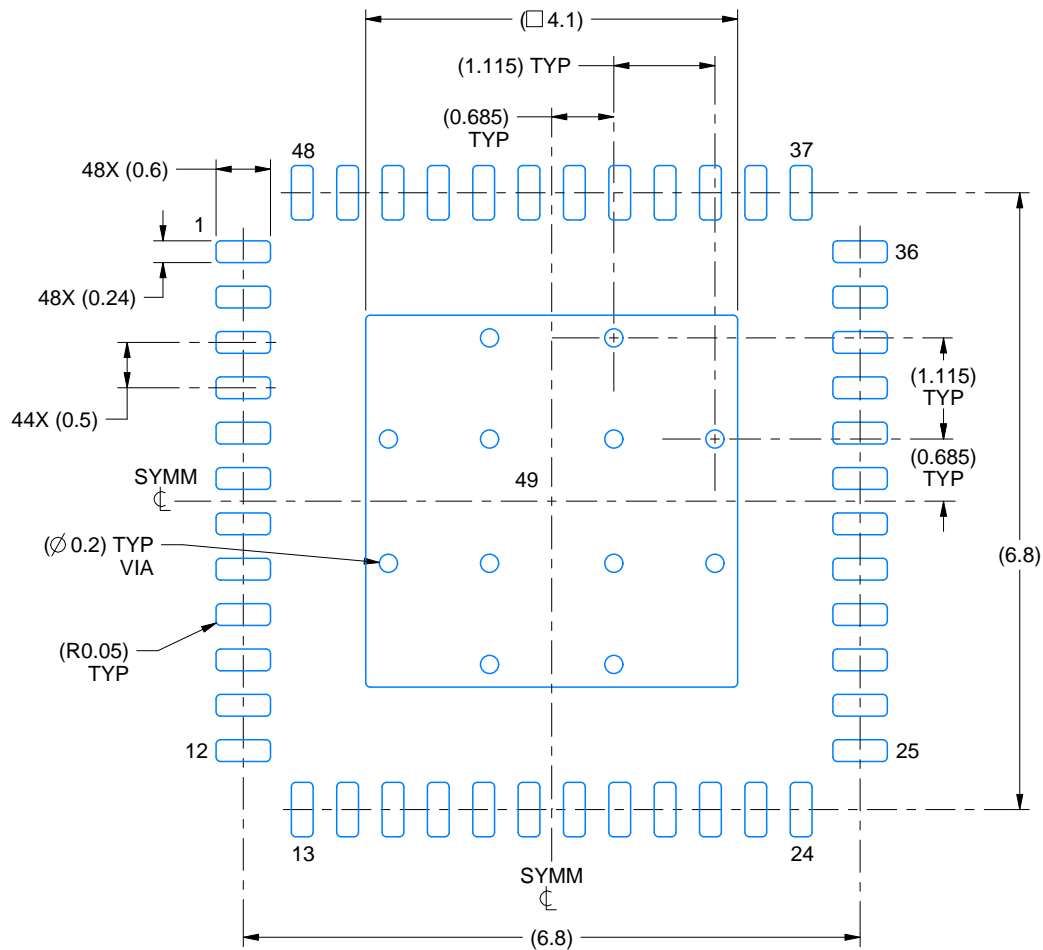
1. All linear dimensions are in millimeters. Any dimensions in parenthesis are for reference only. Dimensioning and tolerancing per ASME Y14.5M.
2. This drawing is subject to change without notice.
3. The package thermal pad must be soldered to the printed circuit board for thermal and mechanical performance.

# EXAMPLE BOARD LAYOUT

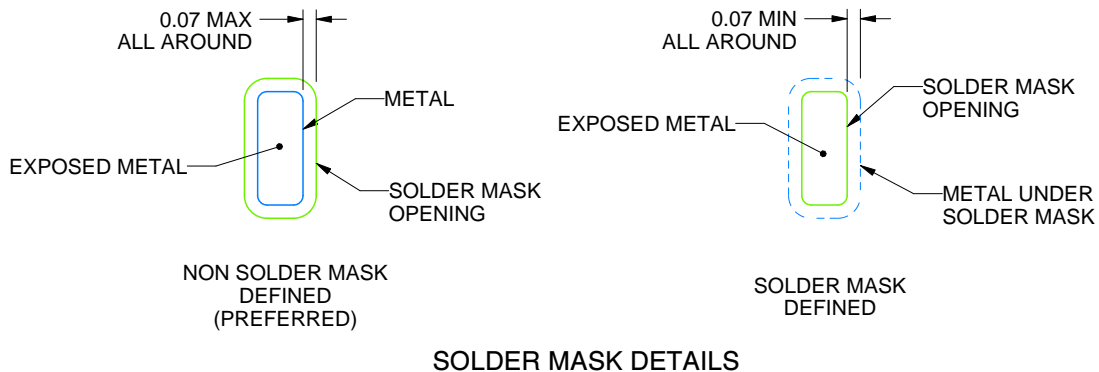
**RGZ0048B**

**VQFN - 1 mm max height**

PLASTIC QUAD FLATPACK - NO LEAD



**LAND PATTERN EXAMPLE**  
EXPOSED METAL SHOWN  
SCALE:12X



**SOLDER MASK DETAILS**

4218795/B 02/2017

NOTES: (continued)

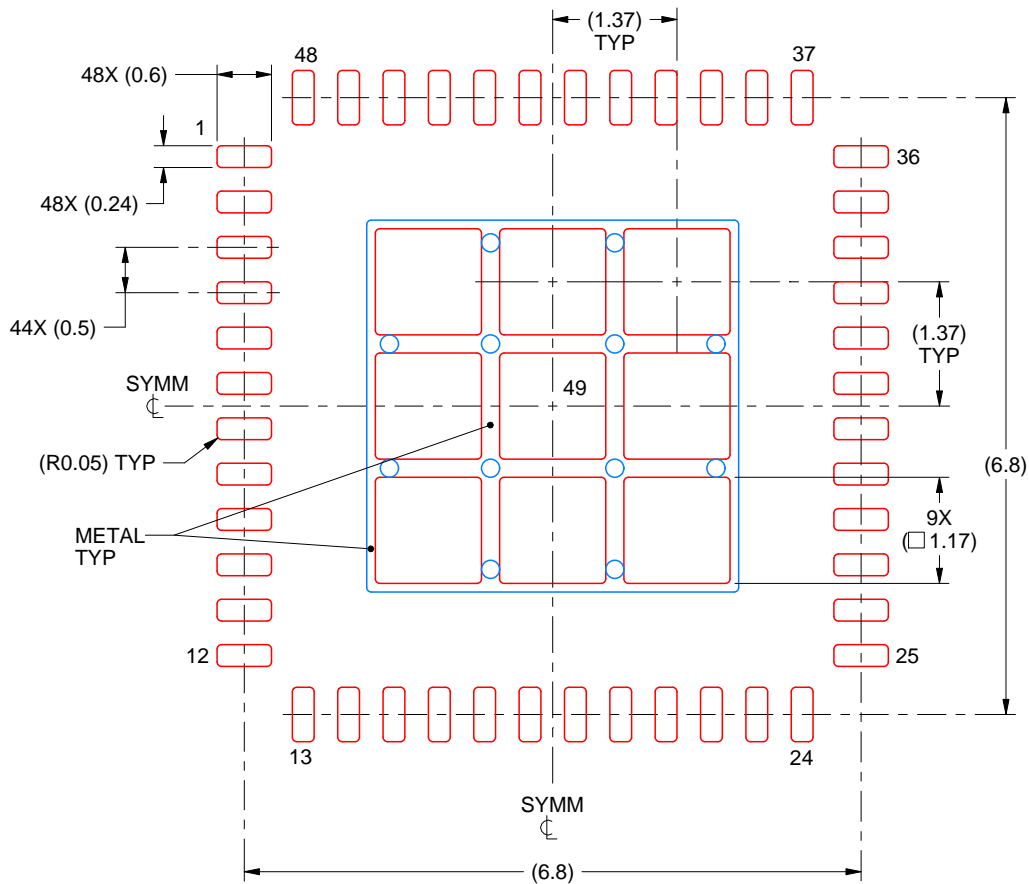
4. This package is designed to be soldered to a thermal pad on the board. For more information, see Texas Instruments literature number SLUA271 ([www.ti.com/lit/slua271](http://www.ti.com/lit/slua271)).
5. Vias are optional depending on application, refer to device data sheet. If any vias are implemented, refer to their locations shown on this view. It is recommended that vias under paste be filled, plugged or tented.

# EXAMPLE STENCIL DESIGN

RGZ0048B

VQFN - 1 mm max height

PLASTIC QUAD FLATPACK - NO LEAD



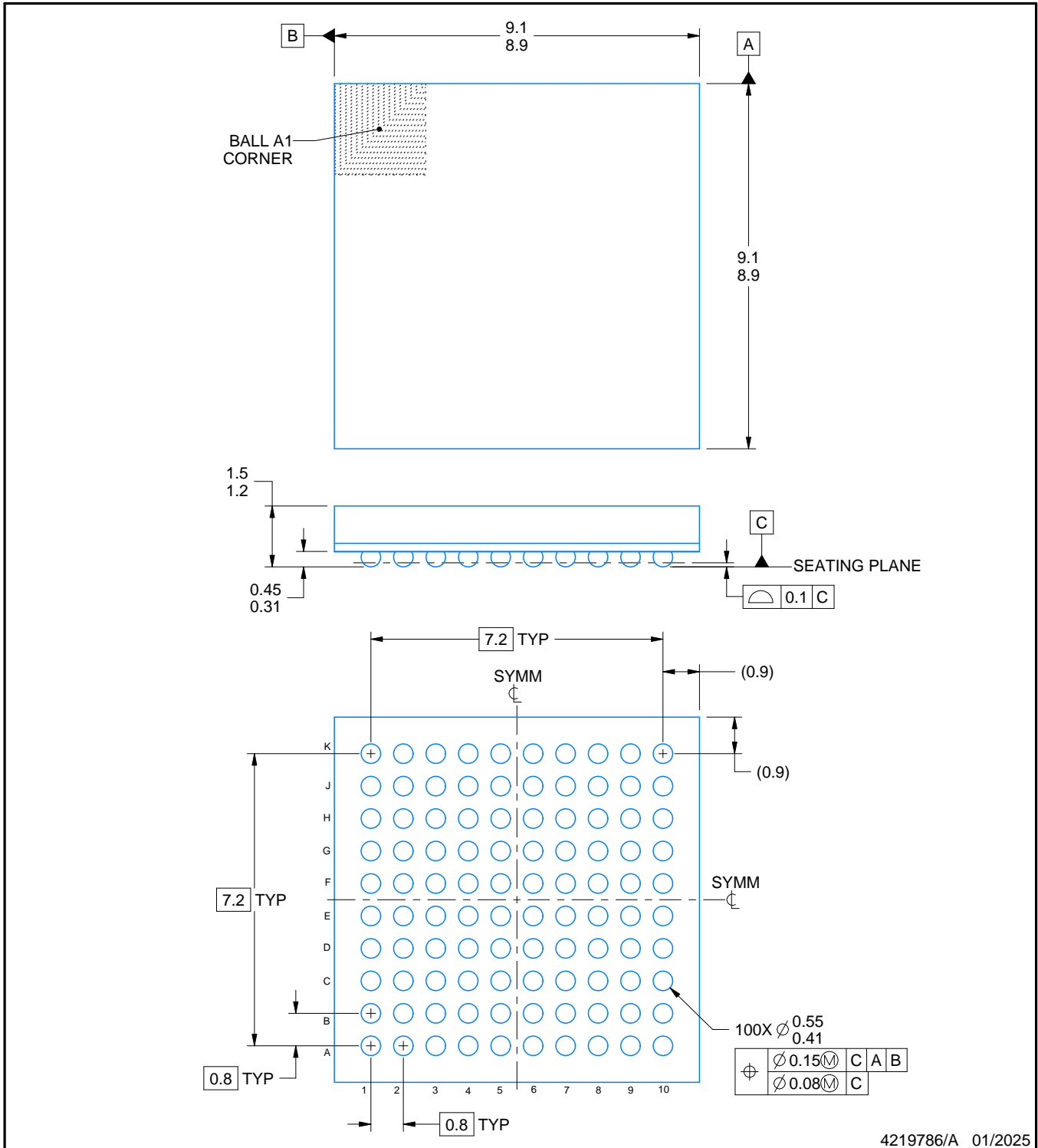
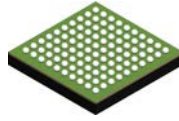
**SOLDER PASTE EXAMPLE**  
 BASED ON 0.125 mm THICK STENCIL

EXPOSED PAD 49  
 73% PRINTED SOLDER COVERAGE BY AREA UNDER PACKAGE  
 SCALE:12X

4218795/B 02/2017

NOTES: (continued)

6. Laser cutting apertures with trapezoidal walls and rounded corners may offer better paste release. IPC-7525 may have alternate design recommendations.



NOTES:

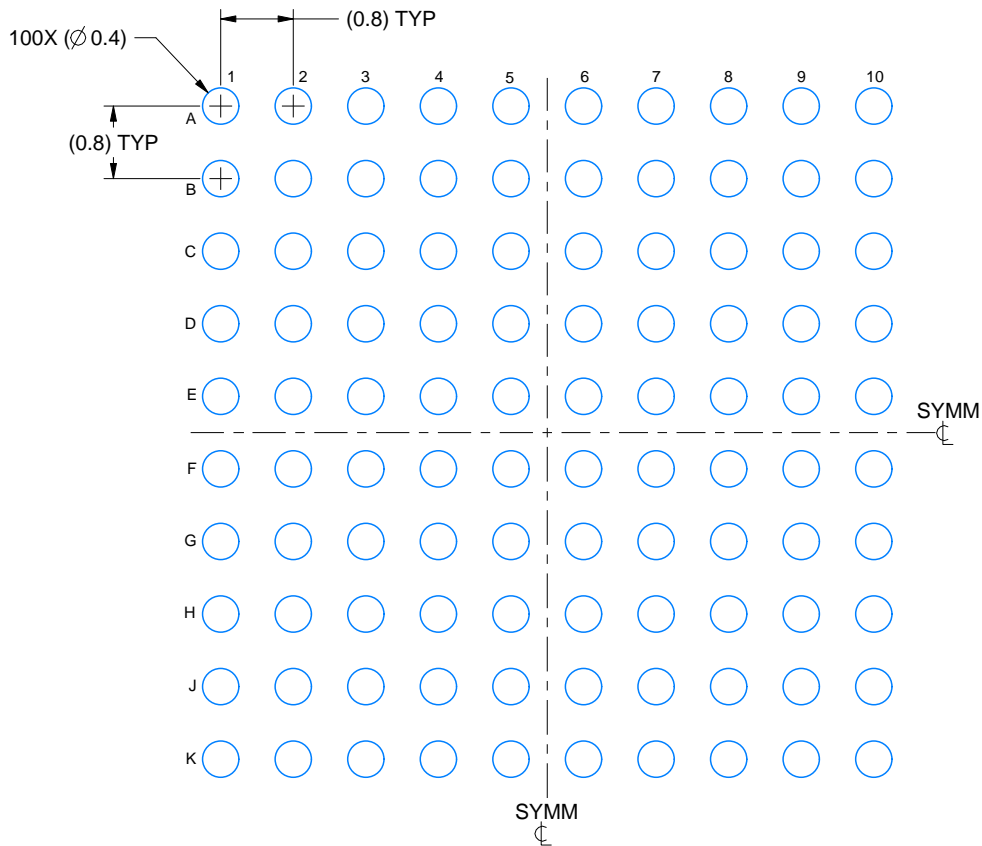
1. All linear dimensions are in millimeters. Any dimensions in parenthesis are for reference only. Dimensioning and tolerancing per ASME Y14.5M.
2. This drawing is subject to change without notice.

# EXAMPLE BOARD LAYOUT

ZAW0100A

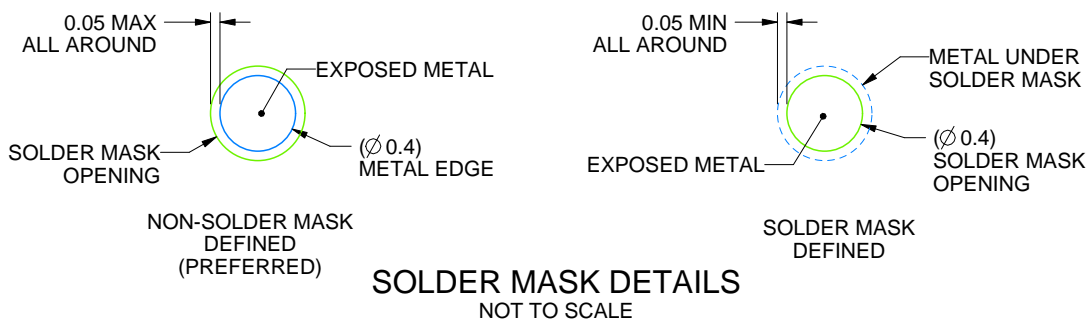
NFBGA - 1.5 mm max height

PLASTIC BALL GRID ARRAY



## LAND PATTERN EXAMPLE

EXPOSED METAL SHOWN  
SCALE: 12X



4219786/A 01/2025

NOTES: (continued)

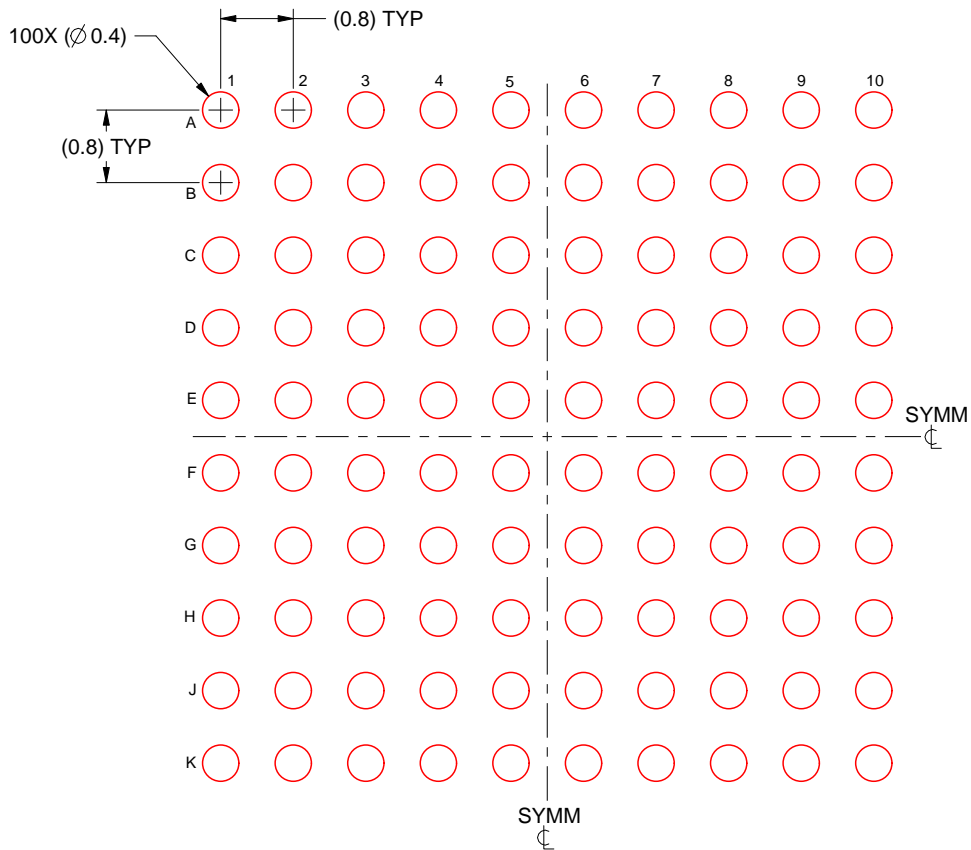
- Final dimensions may vary due to manufacturing tolerance considerations and also routing constraints. For information, see Texas Instruments literature number SPRAA99 ([www.ti.com/lit/spraa99](http://www.ti.com/lit/spraa99)).

# EXAMPLE STENCIL DESIGN

## ZAW0100A

### NFBGA - 1.5 mm max height

PLASTIC BALL GRID ARRAY



**SOLDER PASTE EXAMPLE**  
BASED ON 0.125 mm THICK STENCIL  
SCALE: 12X

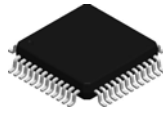
4219786/A 01/2025

NOTES: (continued)

4. Laser cutting apertures with trapezoidal walls and rounded corners may offer better paste release.



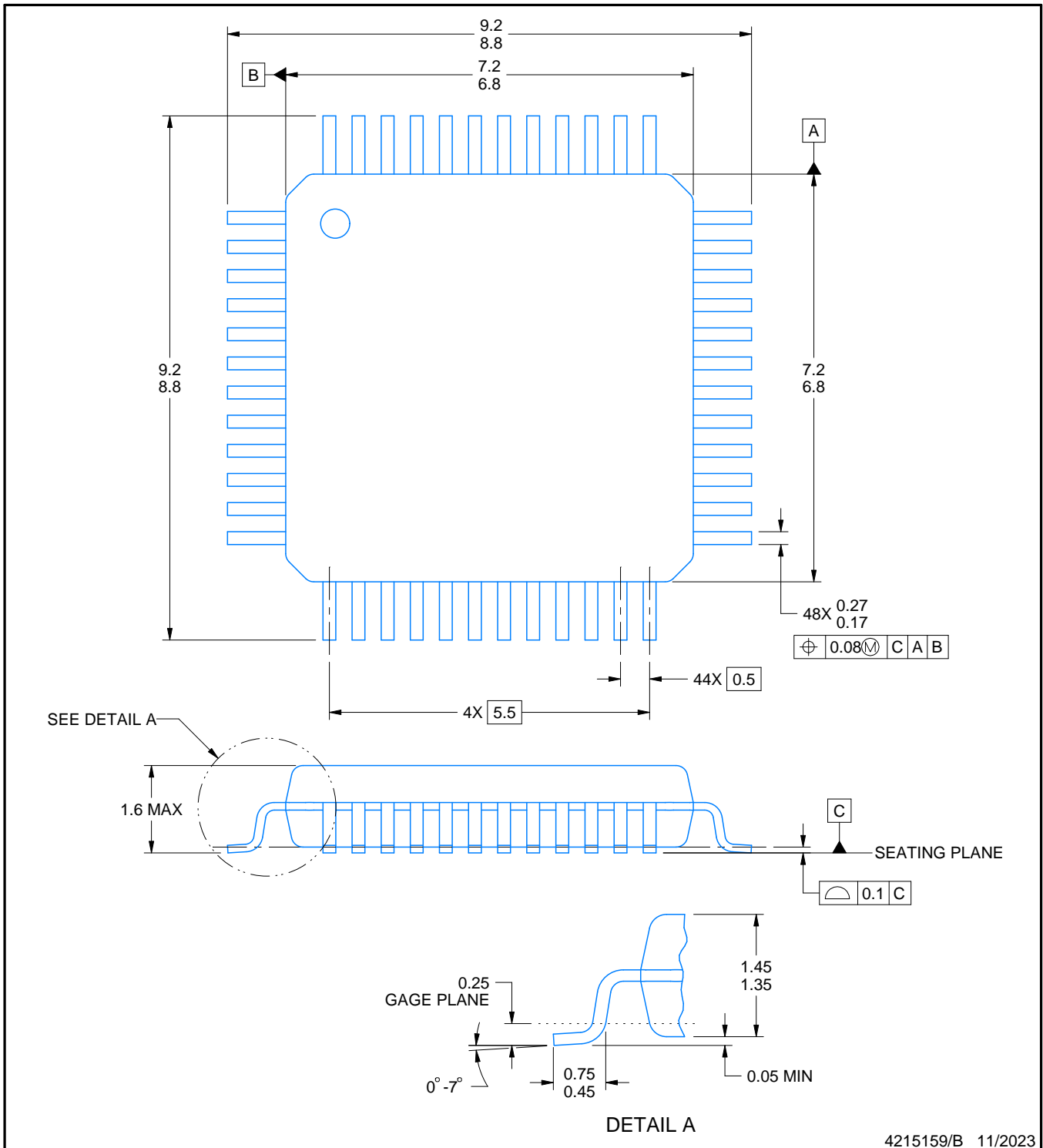
PT0048A



# PACKAGE OUTLINE

LQFP - 1.6 mm max height

LOW PROFILE QUAD FLATPACK



4215159/B 11/2023

NOTES:

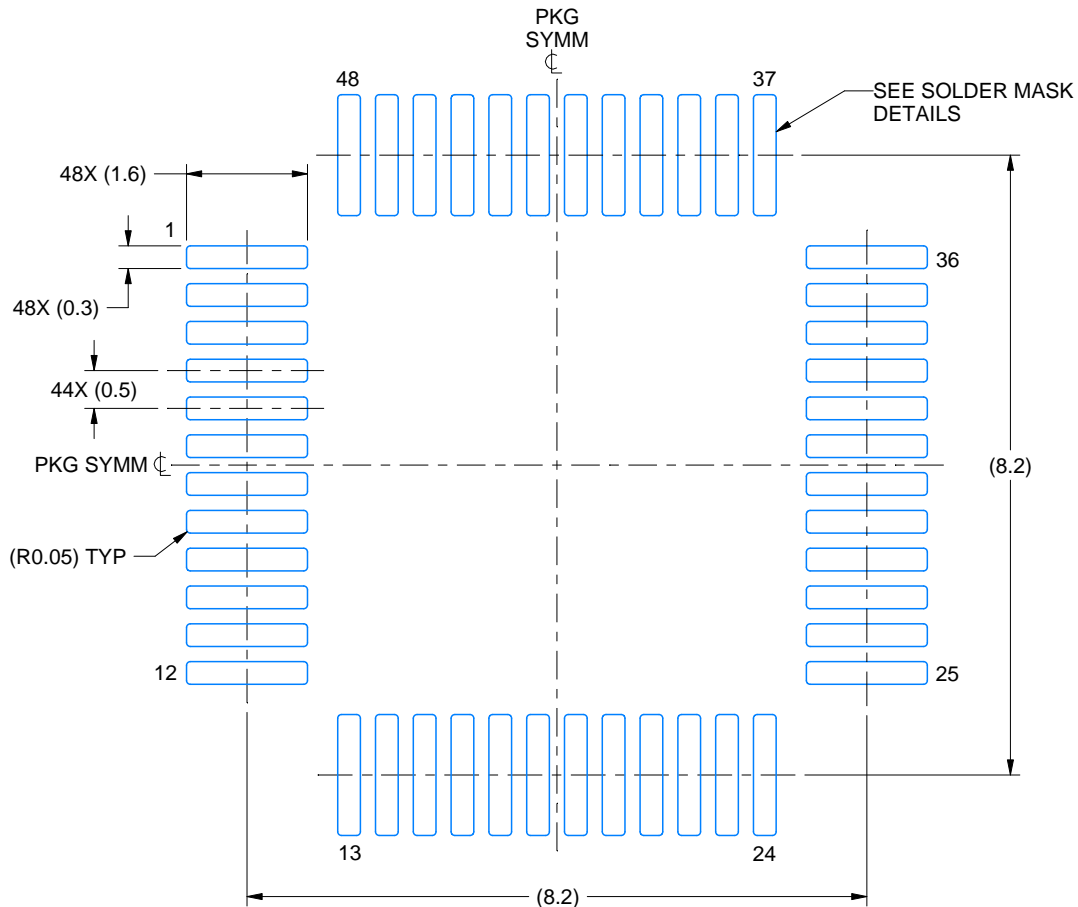
1. All linear dimensions are in millimeters. Any dimensions in parenthesis are for reference only. Dimensioning and tolerancing per ASME Y14.5M.
2. This drawing is subject to change without notice.
3. Reference JEDEC registration MS-026.
4. This may also be a thermally enhanced plastic package with leads connected to the die pads.

# EXAMPLE BOARD LAYOUT

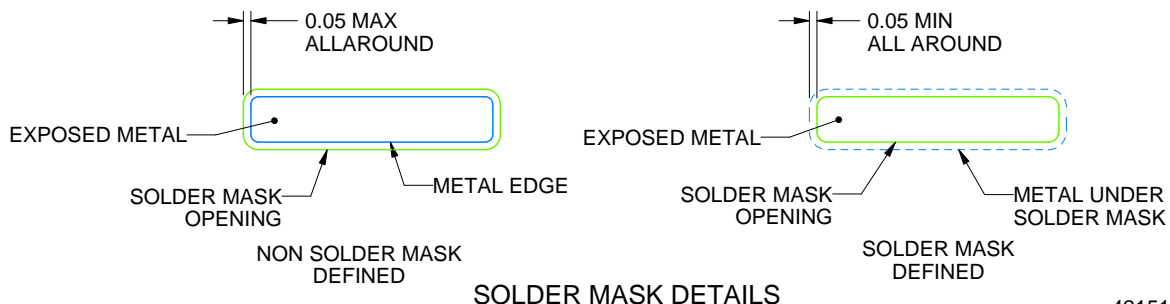
PT0048A

LQFP - 1.6 mm max height

LOW PROFILE QUAD FLATPACK



LAND PATTERN EXAMPLE  
EXPOSED METAL SHOWN  
SCALE 10.000



SOLDER MASK DETAILS

4215159/B 11/2023

NOTES: (continued)

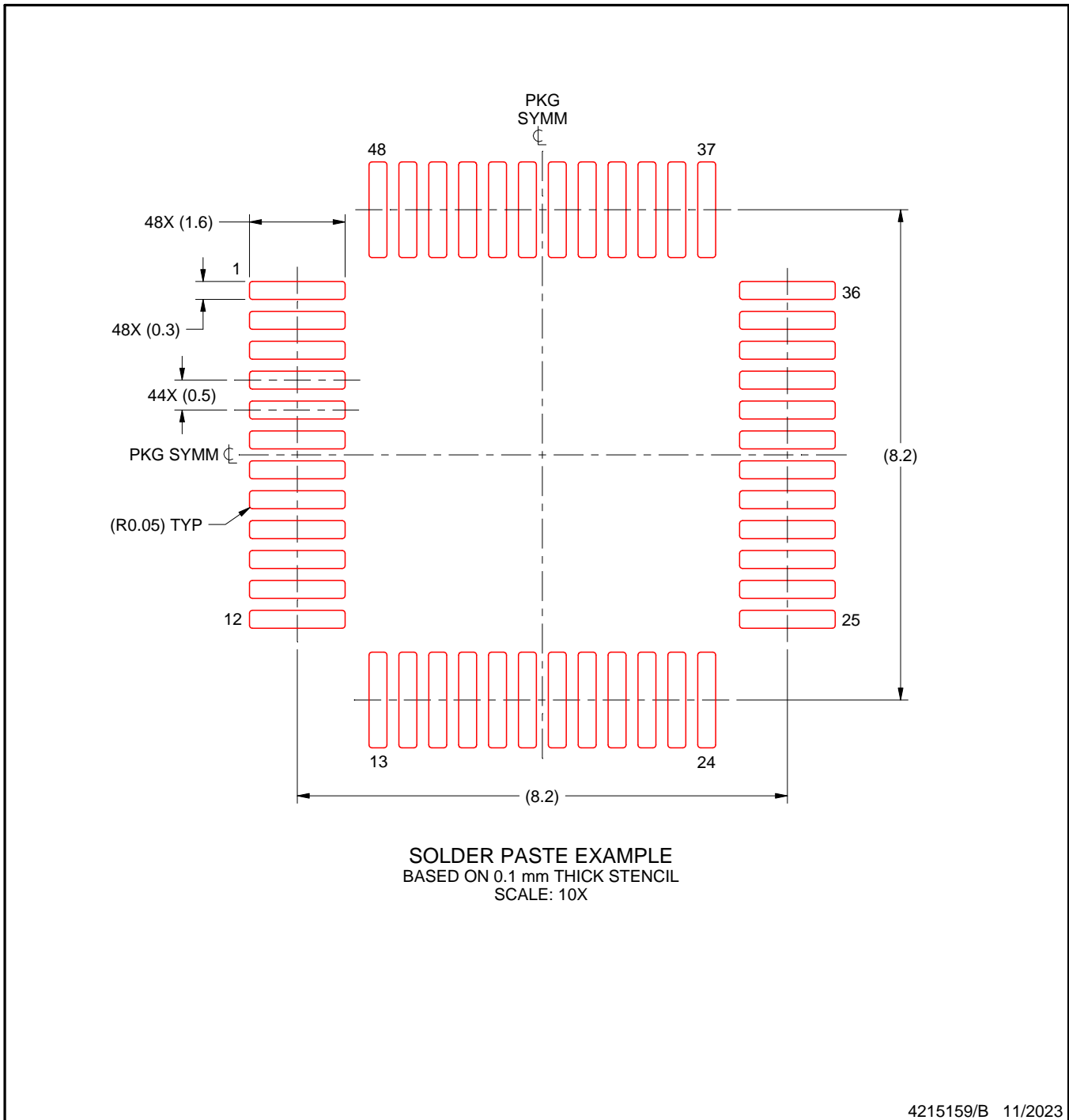
- 5. Publication IPC-7351 may have alternate designs.
- 6. Solder mask tolerances between and around signal pads can vary based on board fabrication site.

# EXAMPLE STENCIL DESIGN

PT0048A

LQFP - 1.6 mm max height

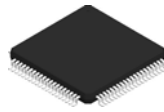
LOW PROFILE QUAD FLATPACK



NOTES: (continued)

7. Laser cutting apertures with trapezoidal walls and rounded corners may offer better paste release. IPC-7525 may have alternate design recommendations.
8. Board assembly site may have different recommendations for stencil design.

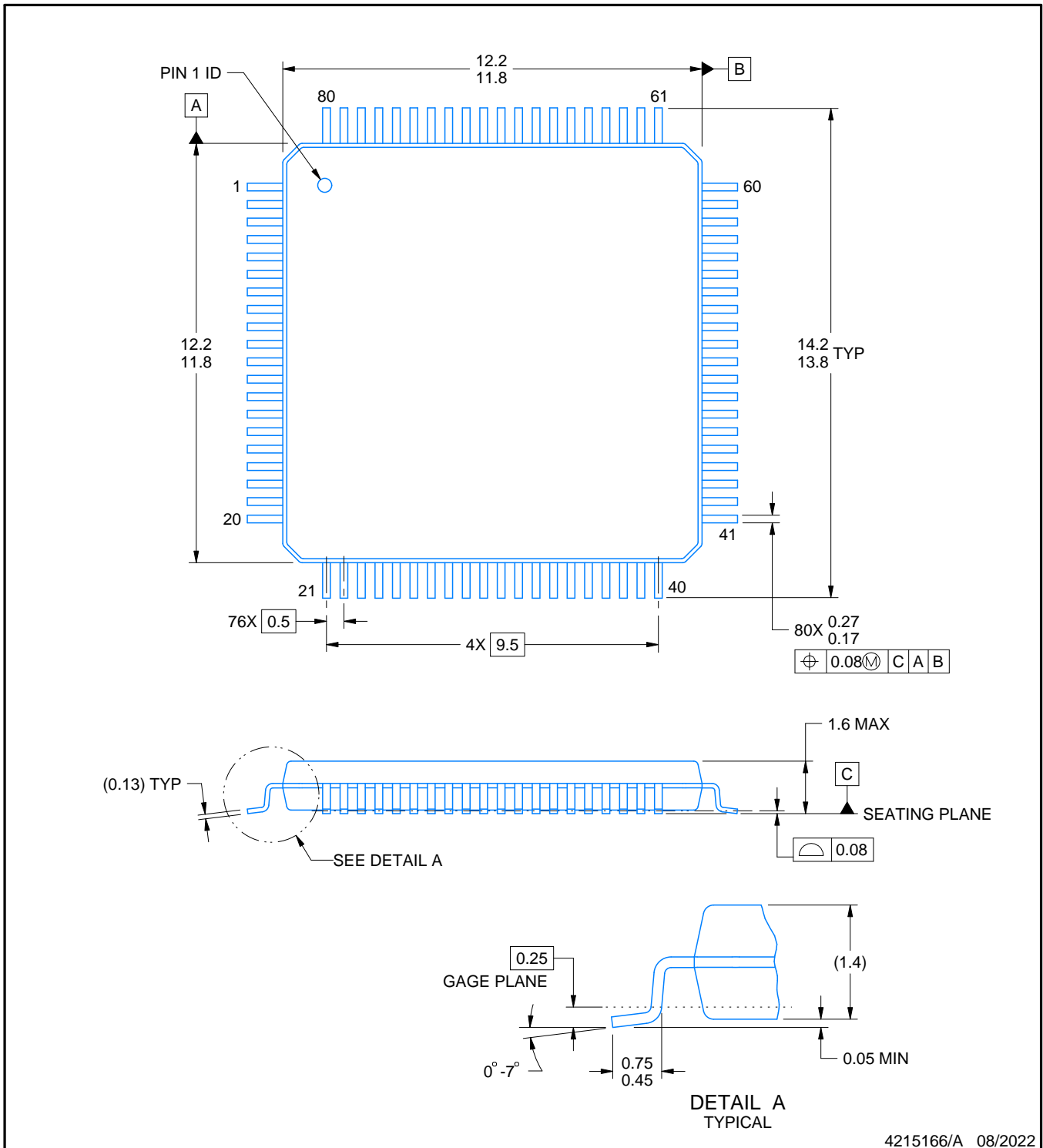
# PN0080A



# PACKAGE OUTLINE

LQFP - 1.6 mm max height

PLASTIC QUAD FLATPACK



4215166/A 08/2022

**NOTES:**

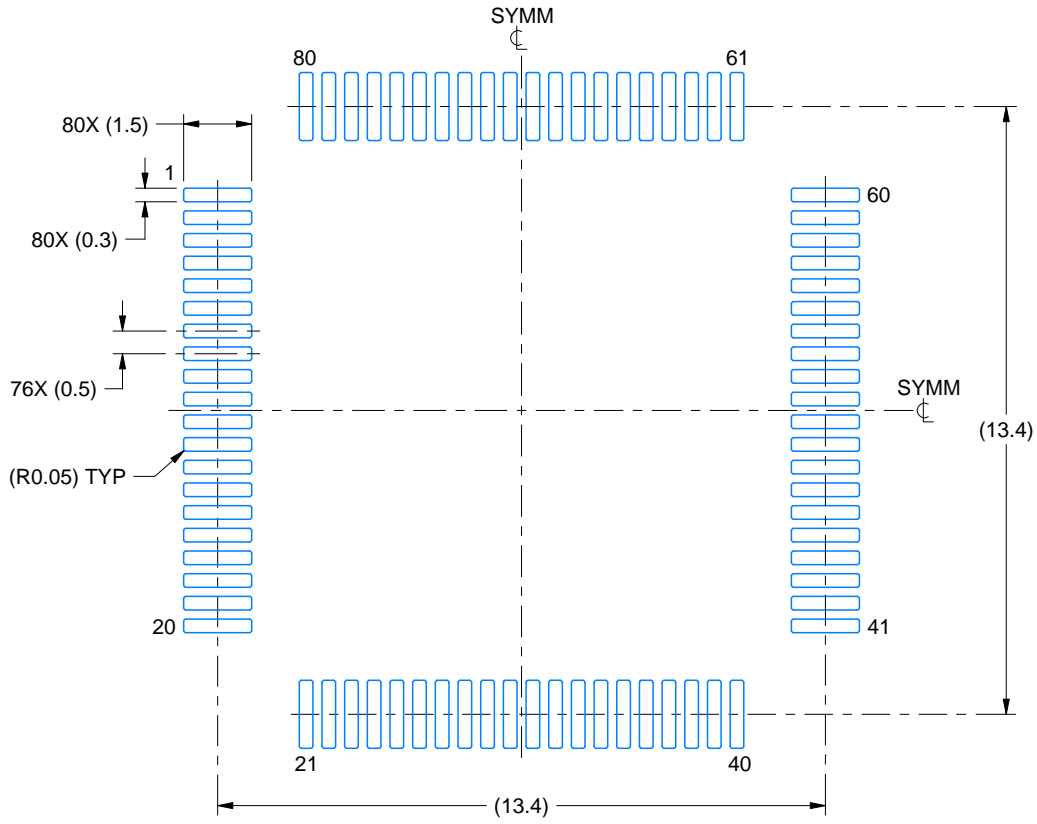
1. All linear dimensions are in millimeters. Any dimensions in parenthesis are for reference only. Dimensioning and tolerancing per ASME Y14.5M.
2. This drawing is subject to change without notice.
3. Reference JEDEC registration MS-026.

# EXAMPLE BOARD LAYOUT

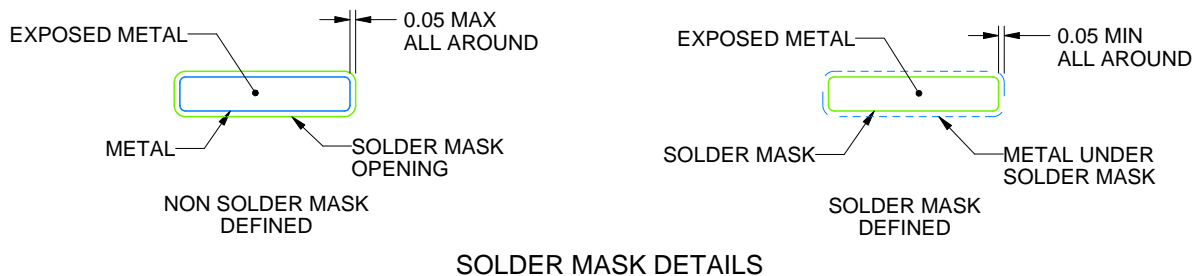
PN0080A

LQFP - 1.6 mm max height

PLASTIC QUAD FLATPACK



LAND PATTERN EXAMPLE  
EXPOSED METAL SHOWN  
SCALE:6X



SOLDER MASK DETAILS

4215166/A 08/2022

NOTES: (continued)

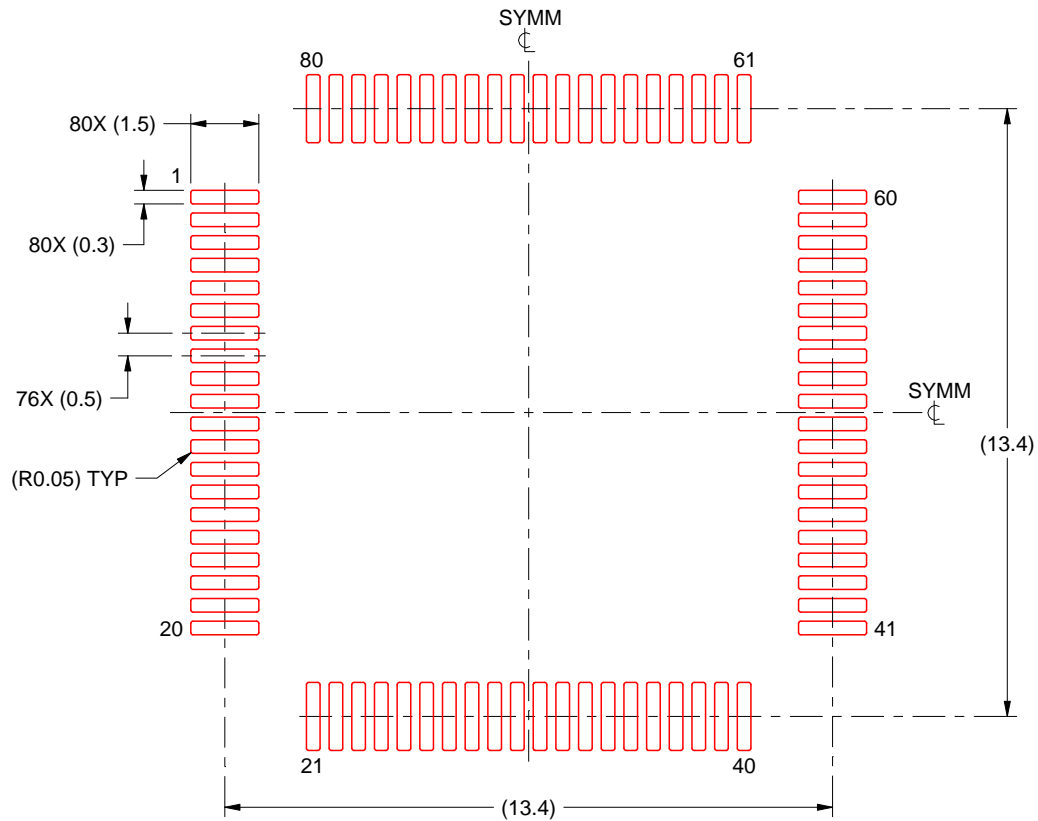
4. Publication IPC-7351 may have alternate designs.
5. Solder mask tolerances between and around signal pads can vary based on board fabrication site.
6. For more information, see Texas Instruments literature number SLMA004 ([www.ti.com/lit/slma004](http://www.ti.com/lit/slma004)).

# EXAMPLE STENCIL DESIGN

PN0080A

LQFP - 1.6 mm max height

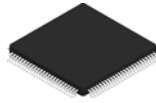
PLASTIC QUAD FLATPACK



4215166/A 08/2022

NOTES: (continued)

7. Laser cutting apertures with trapezoidal walls and rounded corners may offer better paste release. IPC-7525 may have alternate design recommendations.
8. Board assembly site may have different recommendations for stencil design.

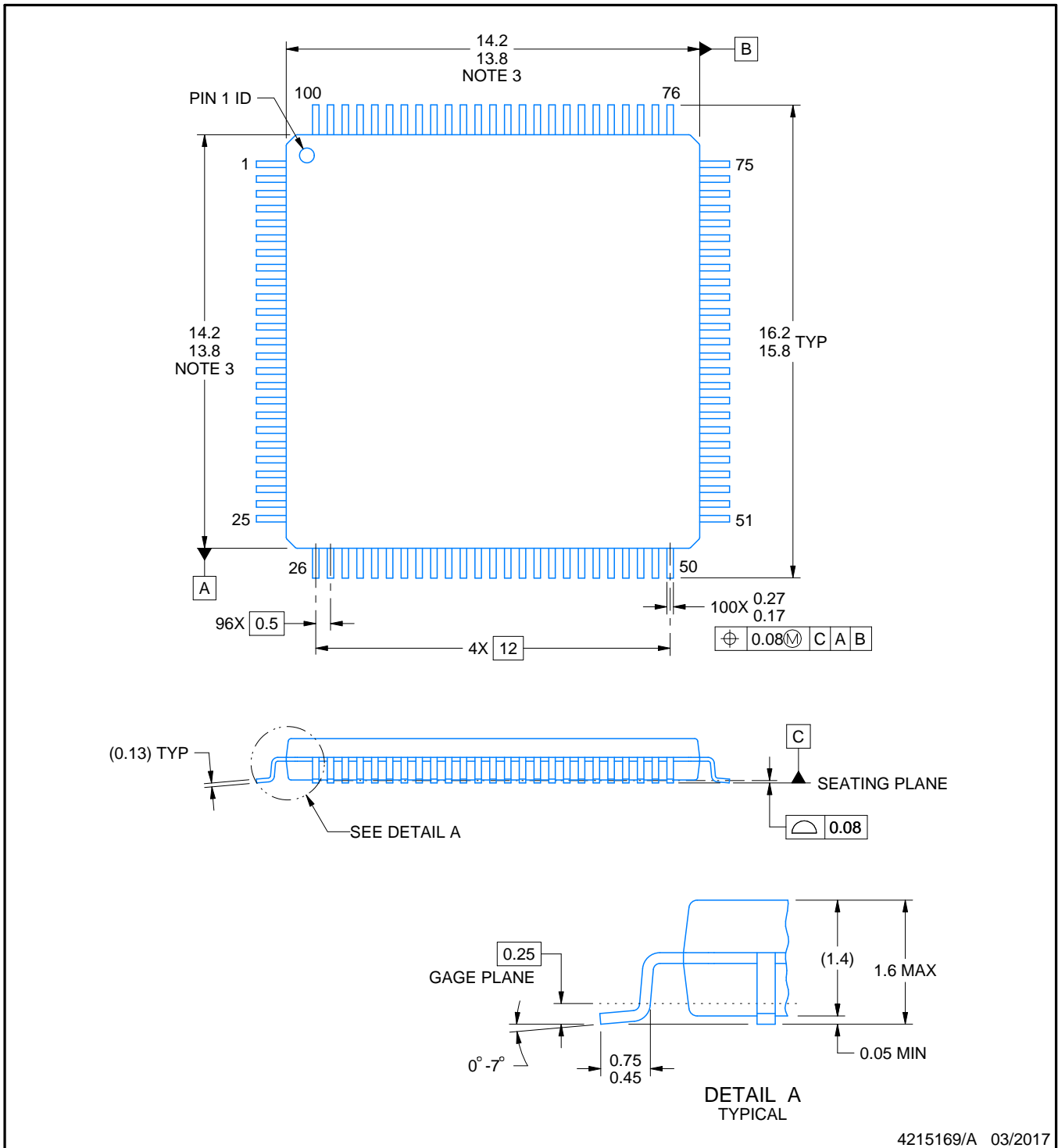


# PACKAGE OUTLINE

## PZ0100A

### LQFP - 1.6 mm max height

PLASTIC QUAD FLATPACK



#### NOTES:

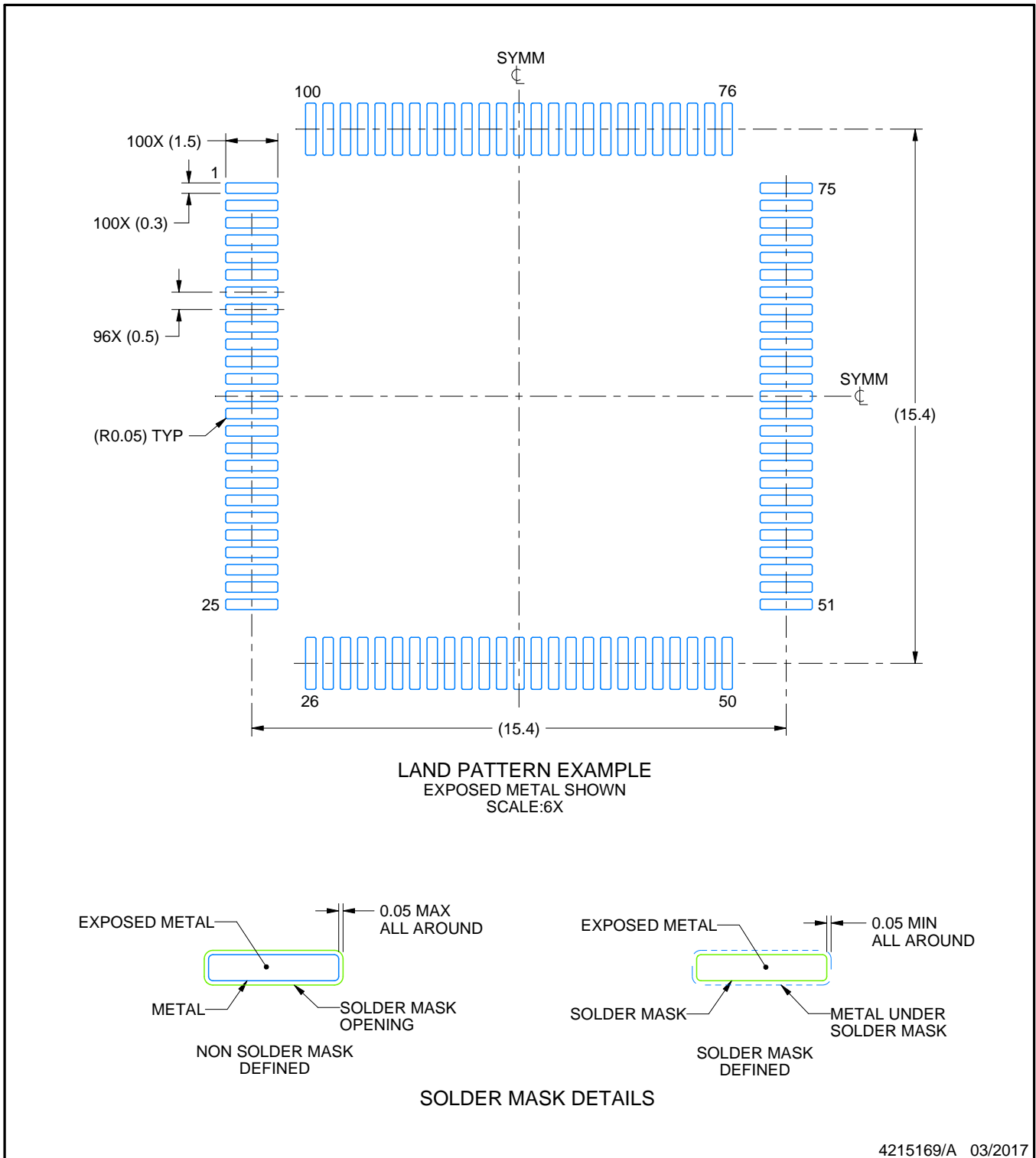
1. All linear dimensions are in millimeters. Any dimensions in parenthesis are for reference only. Dimensioning and tolerancing per ASME Y14.5M.
2. This drawing is subject to change without notice.
3. This dimension does not include mold flash, protrusions, or gate burrs. Mold flash, protrusions, or gate burrs shall not exceed 0.15 mm per side.
4. Reference JEDEC registration MS-026.

# EXAMPLE BOARD LAYOUT

PZ0100A

LQFP - 1.6 mm max height

PLASTIC QUAD FLATPACK



NOTES: (continued)

5. Publication IPC-7351 may have alternate designs.
6. Solder mask tolerances between and around signal pads can vary based on board fabrication site.
7. For more information, see Texas Instruments literature number SLMA004 ([www.ti.com/lit/slma004](http://www.ti.com/lit/slma004)).

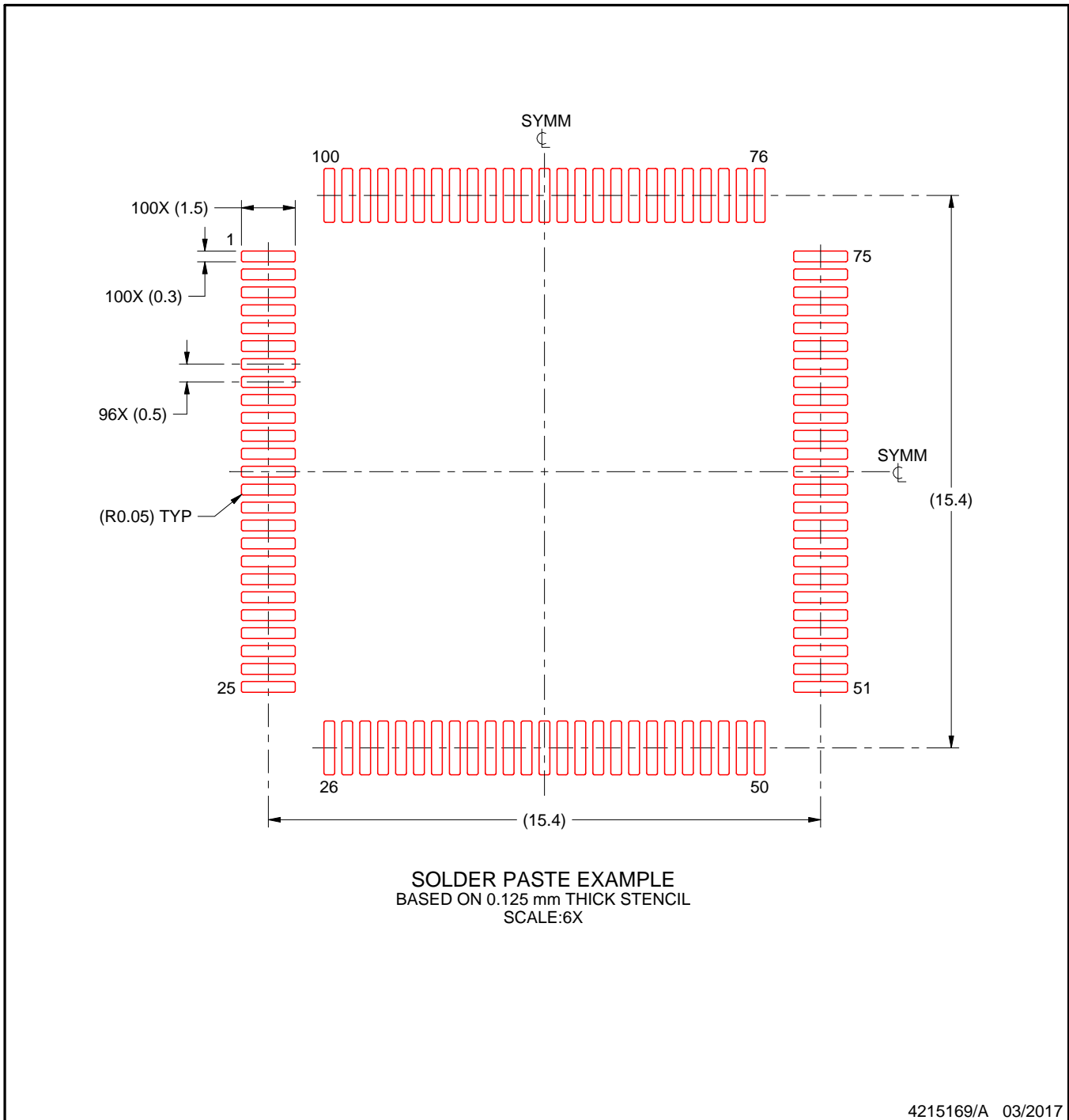


# EXAMPLE STENCIL DESIGN

PZ0100A

LQFP - 1.6 mm max height

PLASTIC QUAD FLATPACK



NOTES: (continued)

8. Laser cutting apertures with trapezoidal walls and rounded corners may offer better paste release. IPC-7525 may have alternate design recommendations.
9. Board assembly site may have different recommendations for stencil design.

## IMPORTANT NOTICE AND DISCLAIMER

TI PROVIDES TECHNICAL AND RELIABILITY DATA (INCLUDING DATASHEETS), DESIGN RESOURCES (INCLUDING REFERENCE DESIGNS), APPLICATION OR OTHER DESIGN ADVICE, WEB TOOLS, SAFETY INFORMATION, AND OTHER RESOURCES "AS IS" AND WITH ALL FAULTS, AND DISCLAIMS ALL WARRANTIES, EXPRESS AND IMPLIED, INCLUDING WITHOUT LIMITATION ANY IMPLIED WARRANTIES OF MERCHANTABILITY, FITNESS FOR A PARTICULAR PURPOSE OR NON-INFRINGEMENT OF THIRD PARTY INTELLECTUAL PROPERTY RIGHTS.

These resources are intended for skilled developers designing with TI products. You are solely responsible for (1) selecting the appropriate TI products for your application, (2) designing, validating and testing your application, and (3) ensuring your application meets applicable standards, and any other safety, security, regulatory or other requirements.

These resources are subject to change without notice. TI grants you permission to use these resources only for development of an application that uses the TI products described in the resource. Other reproduction and display of these resources is prohibited. No license is granted to any other TI intellectual property right or to any third party intellectual property right. TI disclaims responsibility for, and you fully indemnify TI and its representatives against any claims, damages, costs, losses, and liabilities arising out of your use of these resources.

TI's products are provided subject to [TI's Terms of Sale](#), [TI's General Quality Guidelines](#), or other applicable terms available either on [ti.com](http://ti.com) or provided in conjunction with such TI products. TI's provision of these resources does not expand or otherwise alter TI's applicable warranties or warranty disclaimers for TI products. Unless TI explicitly designates a product as custom or customer-specified, TI products are standard, catalog, general purpose devices.

TI objects to and rejects any additional or different terms you may propose.

Copyright © 2026, Texas Instruments Incorporated

Last updated 10/2025