

PCA9544A Low Voltage 4-Channel I²C and SMBus Multiplexer With Interrupt Logic

1 Features

- 1-of-4 Bidirectional translating switches
- I²C Bus and SMBus compatible
- Four active-low interrupt inputs
- Active-low interrupt output
- Three address pins, allowing up to eight devices on the I²C Bus
- Channel selection via I²C Bus
- Power up with all switch channels deselected
- Low R_{ON} switches
- Allows voltage-level translation between 1.8-V, 2.5-V, 3.3-V, and 5-V Buses
- No glitch on power up
- Supports hot insertion
- Low standby current
- Operating power-supply voltage range of 2.3 V to 5.5 V
- 5.5-V Tolerant inputs
- 0 to 400-kHz Clock frequency
- Latch-up performance exceeds 100 mA Per JESD 78
- ESD Protection exceeds JESD 22
 - 2000-V Human-body model (A114-A)
 - 200-V Machine model (A115-A)
 - 1000-V Charged-device model (C101)

2 Applications

- Servers
- Routers (Telecom Switching Equipment)
- Factory Automation
- Products With I²C Slave Address Conflicts (For Example, Multiple, Identical Temp Sensors)

3 Description

The PCA9544A is a 4-channel, bidirectional translating multiplexer controlled via the I²C bus. The SCL/SDA upstream pair fans out to four downstream pairs, or channels. One SCL/SDA pair can be selected at a time, and this is determined by the contents of the programmable control register. Four interrupt inputs ($\overline{\text{INT}}_3$ – $\overline{\text{INT}}_0$), one for each of the downstream pairs, are provided. One interrupt output ($\overline{\text{INT}}$) acts as an AND of the four interrupt inputs.

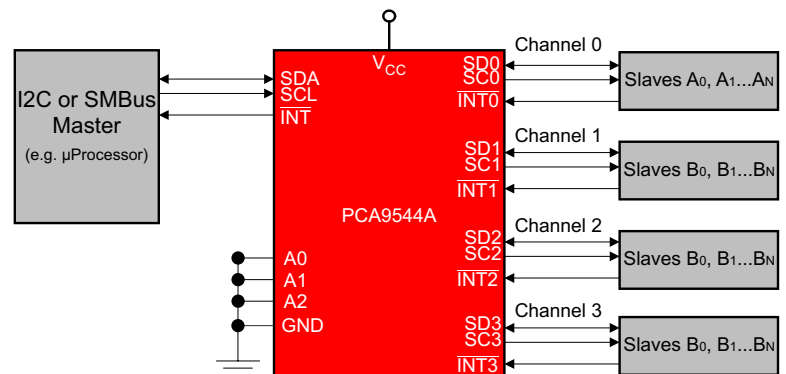
A power-on reset function puts the registers in their default state and initializes the I²C state machine, with no channel selected.

The pass gates of the switches are constructed such that the V_{CC} pin can be used to limit the maximum high voltage, which will be passed by the PCA9544A. This allows the use of different bus voltages on each pair, so that 1.8-V, 2.5-V, or 3.3-V parts can communicate with 5-V parts, without any additional protection. External pull-up resistors pull the bus up to the desired voltage level for each channel. All I/O pins are 5-V tolerant.

Device Information

| PART NUMBER | PACKAGE ⁽¹⁾ | BODY SIZE (NOM) |
|-------------|------------------------|-------------------|
| PCA9544A | TVSOP (DGV) (20) | 5.00 mm x 4.40 mm |
| | SOIC (DW) (20) | 12.8 mm x 7.50 mm |
| | TSSOP (PW) (20) | 6.50 mm x 4.40 mm |
| | VQFN (RGY) (20) | 4.50 mm x 3.50 mm |

(1) For all available packages, see the orderable addendum at the end of the data sheet.



Simplified Application Diagram

Table of Contents

| | | | |
|---|----|--|----|
| 1 Features | 1 | 8.4 Device Functional Modes..... | 11 |
| 2 Applications | 1 | 8.5 Programming..... | 11 |
| 3 Description | 1 | 8.6 Register Map..... | 13 |
| 4 Revision History | 2 | 9 Application Information Disclaimer | 16 |
| 5 Pin Configuration and Functions | 3 | 9.1 Application Information..... | 16 |
| 6 Specifications | 4 | 9.2 Typical Application..... | 16 |
| 6.1 Absolute Maximum Ratings..... | 4 | 10 Power Supply Recommendations | 19 |
| 6.2 ESD Ratings..... | 4 | 10.1 Power-On Reset Requirements..... | 19 |
| 6.3 Recommended Operating Conditions..... | 4 | 11 Layout | 21 |
| 6.4 Thermal Information..... | 4 | 11.1 Layout Guidelines..... | 21 |
| 6.5 Electrical Characteristics..... | 5 | 11.2 Layout Example..... | 21 |
| 6.6 I ² C Interface Timing Requirements..... | 6 | 12 Device and Documentation Support | 22 |
| 6.7 Switching Characteristics..... | 6 | 12.1 Receiving Notification of Documentation Updates..... | 22 |
| 6.8 Interrupt Timing Requirements..... | 6 | 12.2 Support Resources..... | 22 |
| 7 Parameter Measurement Information | 7 | 12.3 Trademarks..... | 22 |
| 8 Detailed Description | 9 | 12.4 Electrostatic Discharge Caution..... | 22 |
| 8.1 Overview..... | 9 | 12.5 Glossary..... | 22 |
| 8.2 Functional Block Diagram..... | 10 | 13 Mechanical, Packaging, and Orderable Information | 22 |
| 8.3 Feature Description..... | 11 | | |

4 Revision History

| Changes from Revision F (August 2019) to Revision G (March 2021) | Page |
|---|------|
| • Changed the PW package values in the <i>Thermal Information</i> table..... | 4 |
| • Added the RGY package values in the <i>Thermal Information</i> table..... | 4 |
| • Changed the V _{PORR} row in the <i>Electrical Characteristics</i> | 5 |
| • Added V _{PORF} row to the <i>Electrical Characteristics</i> | 5 |
| • Changed the I _{CC} Low inputs and High inputs values in the <i>Electrical Characteristics</i> | 5 |
| • Changed the ΔI _{CC} (INT3–INT0) MAX values From: 15 μA To: 20 μA in the <i>Electrical Characteristics</i> | 5 |
| • Changed the <i>Application Curves</i> | 18 |
| • Changed the <i>Power Supply Recommendations</i> | 19 |
| Changes from Revision E (June 2014) to Revision F (August 2019) | Page |
| • Changed text From: "The PCA9544A is a quad bidirectional translating switch" To: "The PCA9544A is a 4-channel, bidirectional translating multiplexer" in the <i>Description</i> | 1 |
| • Changed the <i>Device Information</i> table..... | 1 |
| • Deleted the RGW, GQN, and ZQN packages from the <i>Pin Configuration and Functions</i> section..... | 3 |
| • Moved T _{stg} to the <i>Absolute Maximum Ratings</i> | 4 |
| • Changed the <i>Handling Ratings</i> table to <i>ESD Ratings</i> table..... | 4 |
| • Added the <i>Thermal Information</i> table..... | 4 |
| • Changed the first paragraph of the <i>Overview</i> section..... | 9 |
| • Changed text From: "bidirectional translating switch" To: "bidirectional translating multiplexer"..... | 11 |
| • Changed text from: "One or several SCn/SDn downstream pairs or channels, are selected" To: "Only one SCn/SDn downstream pair, or channel, can be selected" in the <i>Control Register Definition</i> section..... | 14 |
| • Deleted sentence: "If multiple switches will be enabled.." from the second paragraph of the <i>Application Information</i> section..... | 16 |
| Changes from Revision D (February 2008) to Revision E (June 2014) | Page |

5 Pin Configuration and Functions

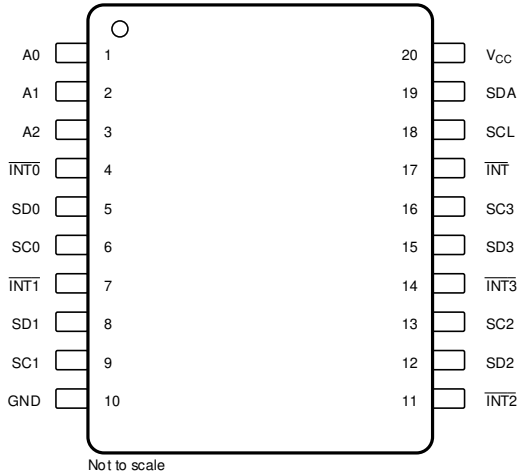


Figure 5-1. DGV, DW, or PW Package, TVSOP, SOIC, TSSOP (20 Pins), Top View

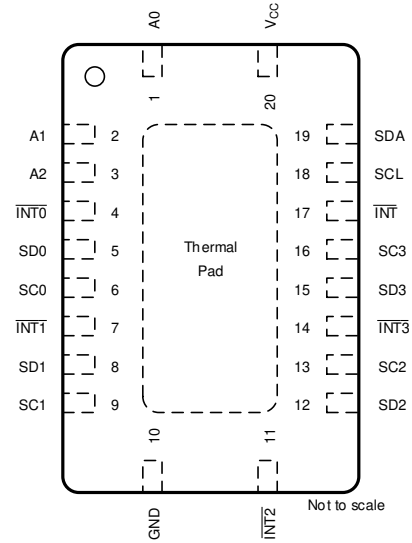


Figure 5-2. RGY Package, VQFN (20 Pins), Top View

Table 5-1. Pin Functions

| PIN | | FUNCTION |
|-----|-------------------|--|
| NO. | NAME | |
| 1 | A0 | Address input 0. Connect directly to V_{CC} or ground. |
| 2 | A1 | Address input 1. Connect directly to V_{CC} or ground. |
| 3 | A2 | Address input 2. Connect directly to V_{CC} or ground. |
| 4 | $\overline{INT0}$ | Active-low interrupt input 0. Connect to V_{DPU0} ⁽¹⁾ through a pull-up resistor. |
| 5 | SD0 | Serial data 0. Connect to V_{DPU0} ⁽¹⁾ through a pull-up resistor. |
| 6 | SC0 | Serial clock 0. Connect to V_{DPU0} ⁽¹⁾ through a pull-up resistor. |
| 7 | $\overline{INT1}$ | Active-low interrupt input 1. Connect to V_{DPU1} ⁽¹⁾ through a pull-up resistor. |
| 8 | SD1 | Serial data 1. Connect to V_{DPU1} ⁽¹⁾ through a pull-up resistor. |
| 9 | SC1 | Serial clock 1. Connect to V_{DPU1} ⁽¹⁾ through a pull-up resistor. |
| 10 | GND | Ground |
| 11 | $\overline{INT2}$ | Active-low interrupt input 2. Connect to V_{DPU2} ⁽¹⁾ through a pull-up resistor. |
| 12 | SD2 | Serial data 2. Connect to V_{DPU2} ⁽¹⁾ through a pull-up resistor. |
| 13 | SC2 | Serial clock 2. Connect to V_{DPU2} ⁽¹⁾ through a pull-up resistor. |
| 14 | $\overline{INT3}$ | Active-low interrupt input 3. Connect to V_{DPU3} ⁽¹⁾ through a pull-up resistor. |
| 15 | SD3 | Serial data 3. Connect to V_{DPU3} ⁽¹⁾ through a pull-up resistor. |
| 16 | SC3 | Serial clock 3. Connect to V_{DPU3} ⁽¹⁾ through a pull-up resistor. |
| 17 | \overline{INT} | Active-low interrupt output. Connect to V_{DPUM} ⁽¹⁾ through a pull-up resistor. |
| 18 | SCL | Serial clock line. Connect to V_{DPUM} ⁽¹⁾ through a pull-up resistor. |
| 19 | SDA | Serial data line. Connect to V_{DPUM} ⁽¹⁾ through a pull-up resistor. |
| 20 | VCC | Supply power |

(1) V_{DPUX} is the pull-up reference voltage for the associated data line. V_{DPUM} is the master I²C reference voltage while V_{DPU0} - V_{DPU3} are the slave channel reference voltages.

6 Specifications

6.1 Absolute Maximum Ratings

over operating free-air temperature range (unless otherwise noted) ⁽¹⁾

| | | MIN | MAX | UNIT |
|------------------|--|------|------|------|
| V _{CC} | Supply voltage range | -0.5 | 7 | V |
| V _I | Input voltage range ⁽²⁾ | -0.5 | 7 | V |
| I _I | Input current | | ±20 | mA |
| I _O | Output current | | ±25 | mA |
| | Continuous current through V _{CC} | | ±100 | mA |
| | Continuous current through GND | | ±100 | mA |
| P _{tot} | Total power dissipation | | 400 | mW |
| T _A | Operating free-air temperature range | -40 | 85 | °C |
| T _{stg} | Storage temperature range | -60 | 150 | °C |

- (1) Stresses beyond those listed under "absolute maximum ratings" may cause permanent damage to the device. These are stress ratings only, and functional operation of the device at these or any other conditions beyond those indicated under "recommended operating conditions" is not implied. Exposure to absolute-maximum-rated conditions for extended periods may affect device reliability.
- (2) The input negative-voltage and output voltage ratings may be exceeded if the input and output current ratings are observed.

6.2 ESD Ratings

| | | | MIN | MAX | UNIT |
|--------------------|-------------------------|--|-----|------|------|
| V _(ESD) | Electrostatic discharge | Human body model (HBM), per ANSI/ESDA/JEDEC JS-001, all pins ⁽¹⁾ | 0 | 2000 | V |
| | | Charged device model (CDM), per JEDEC specification JESD22-C101, all pins ⁽²⁾ | 0 | 1000 | |

- (1) JEDEC document JEP155 states that 500-V HBM allows safe manufacturing with a standard ESD control process.
- (2) JEDEC document JEP157 states that 250-V CDM allows safe manufacturing with a standard ESD control process.

6.3 Recommended Operating Conditions

See ⁽¹⁾

| | | | MIN | MAX | UNIT |
|-----------------|--------------------------------|------------------|-----------------------|-----------------------|------|
| V _{CC} | Supply voltage | | 2.3 | 5.5 | V |
| V _{IH} | High-level input voltage | SCL, SDA | 0.7 × V _{CC} | 6 | V |
| | | A2–A0, INT3–INT0 | 0.7 × V _{CC} | V _{CC} + 0.5 | |
| V _{IL} | Low-level input voltage | SCL, SDA | -0.5 | 0.3 × V _{CC} | V |
| | | A2–A0, INT3–INT0 | -0.5 | 0.3 × V _{CC} | |
| T _A | Operating free-air temperature | | -40 | 85 | °C |

- (1) All unused inputs of the device must be held at V_{CC} or GND to ensure proper device operation. Refer to the TI application report, [Implications of Slow or Floating CMOS Inputs](#).

6.4 Thermal Information

| THERMAL METRIC ⁽¹⁾ | | PCA9544A | | | | UNIT |
|-------------------------------|--|----------|---------|---------|---------|------|
| | | DGV | DW | PW | RGY | |
| | | 20 PINS | 20 PINS | 20 PINS | 20 PINS | |
| R _{θJA} | Junction-to-ambient thermal resistance | 92 | 58 | 118.2 | 62.7 | °C/W |
| R _{θJC(top)} | Junction-to-case (top) thermal resistance | 43.9 | 41.9 | 62.7 | 60.5 | °C/W |
| R _{θJB} | Junction-to-board thermal resistance | 64.5 | 40.3 | 69.3 | 39.5 | °C/W |
| ψ _{JT} | Junction-to-top characterization parameter | 4.2 | 18.1 | 7.7 | 7.2 | °C/W |
| ψ _{JB} | Junction-to-board characterization parameter | 63.6 | 40 | 68.8 | 39.8 | °C/W |
| R _{θJC(bot)} | Junction-to-case (bottom) thermal resistance | n/a | n/a | n/a | 26.6 | °C/W |

- (1) For more information about traditional and new thermal metrics, see the [Semiconductor and IC package thermal metrics application report](#).

6.5 Electrical Characteristics

over recommended operating free-air temperature range (unless otherwise noted)

| PARAMETER | | TEST CONDITIONS | | V _{CC} | MIN | TYP ⁽¹⁾ | MAX | UNIT |
|-------------------------------------|--|---|---|-----------------|-----|--------------------|-----|------|
| V _{PORR} | Power-on reset voltage, V _{CC} rising ⁽²⁾ | No load, | V _I = V _{CC} or GND | | | 1.2 | 1.5 | V |
| V _{PORF} | Power-on reset voltage, V _{CC} falling ⁽²⁾ | No load, | V _I = V _{CC} or GND | | 0.8 | 1 | | V |
| V _{pass} | Switch output voltage | V _{SWin} = V _{CC} , | I _{SWout} = -100 μA | 5 V | | 3.6 | | V |
| | | | | 4.5 V to 5.5 V | 2.6 | | 4.5 | |
| | | | | 3.3 V | | 1.9 | | |
| | | | | 3 V to 3.6 V | 1.6 | | 2.8 | |
| | | | | 2.5 V | | 1.5 | | |
| | | | | 2.3 V to 2.7 V | 1.1 | | 2 | |
| I _{OH} | INT | V _O = V _{CC} | | 2.3 V to 5.5 V | | | 10 | μA |
| I _{OL} | SCL, SDA | V _{OL} = 0.4 V | | 2.3 V to 5.5 V | 3 | 7 | | mA |
| | | V _{OL} = 0.6 V | | | 6 | 10 | | |
| | INT | V _{OL} = 0.4 V | | | 3 | 7 | | |
| I _I | SCL, SDA | V _I = V _{CC} or GND | | 2.3 V to 5.5 V | | | ±1 | μA |
| | SC3–SC0, SD3–SD0 | | | | | | ±1 | |
| | A2–A0 | | | | | | ±1 | |
| | INT3– INT0 | | | | | | ±1 | |
| I _{CC} | Operating mode | f _{SCL} = 100 kHz | V _I = V _{CC} or GND, I _O = 0 | 5.5 V | | 3 | 12 | μA |
| | | | | 3.6 V | | 3 | 11 | |
| | | | | 2.7 V | | 3 | 10 | |
| | Standby mode | Low inputs | V _I = GND, I _O = 0 | 5.5 V | | 1.6 | 2 | |
| | | | | 3.6 V | | 1 | 1.3 | |
| | | 2.7 V | | 0.7 | 1.1 | | | |
| | | High inputs | V _I = V _{CC} , I _O = 0 | 5.5 V | | 1.6 | 2 | |
| | | | | 3.6 V | | 1 | 1.3 | |
| 2.7 V | | 0.7 | 1.1 | | | | | |
| ΔI _{CC} | Supply-current change | INT3– INT0 | One INT3– INT0 input at 0.6 V, Other inputs at V _{CC} or GND | 2.3 V to 5.5 V | | 8 | 20 | μA |
| | | | One INT3– INT0 input at V _{CC} – 0.6 V, Other inputs at V _{CC} or GND | | | 8 | 20 | |
| | | SCL, SDA | SCL or SDA input at 0.6 V, Other inputs at V _{CC} or GND | | | 8 | 15 | |
| | | | SCL or SDA inputs at V _{CC} – 0.6 V, Other inputs at V _{CC} or GND | | | 8 | 15 | |
| C _i | A2–A0 | V _I = V _{CC} or GND | | 2.3 V to 5.5 V | | 4.5 | 6 | pF |
| | INT3– INT0 | | | | | 4.5 | 6 | |
| C _{io(OFF)} ⁽³⁾ | SCL, SDA | V _I = V _{CC} or GND, Switch OFF | | 2.3 V to 5.5 V | | 15 | 19 | pF |
| | SC3–SC0, SD3–SD0 | | | | | 6 | 8 | |
| R _{ON} | Switch-on resistance | V _O = 0.4 V, I _O = 15 mA | | 4.5 V to 5.5 V | 4 | 10 | 16 | Ω |
| | | | | 3 V to 3.6 V | 5 | 13 | 20 | |
| | | V _O = 0.4 V, I _O = 10 mA | | 2.3 V to 2.7 V | 7 | 16 | 45 | |

(1) All typical values are at nominal supply voltage (2.5-V, 3.3-V, or 5-V V_{CC}), T_A = 25°C.

(2) The power-on reset circuit resets the I²C bus logic when V_{CC} < V_{PORF}.

(3) C_{io(ON)} depends on internal capacitance and external capacitance added to the SCn lines when channel(s) are ON.

6.6 I²C Interface Timing Requirements

over recommended operating free-air temperature range (unless otherwise noted) (see Figure 7-1)

| | | STANDARD-MODE I ² C BUS | | FAST-MODE I ² C BUS | | UNIT |
|-----------------|--|---|------|-----------------------------------|-----|---------|
| | | MIN | MAX | MIN | MAX | |
| f_{scl} | I ² C clock frequency | 0 | 100 | 0 | 400 | kHz |
| t_{sch} | I ² C clock high time | 4 | | 0.6 | | μ s |
| t_{scl} | I ² C clock low time | 4.7 | | 1.3 | | μ s |
| t_{sp} | I ² C spike time | | 50 | | 50 | ns |
| t_{sds} | I ² C serial-data setup time | 250 | | 100 | | ns |
| t_{sdh} | I ² C serial-data hold time | 0 ⁽¹⁾ | | 0 ⁽¹⁾ | | μ s |
| t_{icr} | I ² C input rise time | | 1000 | $20 + 0.1C_b$ ⁽²⁾ | 300 | ns |
| t_{icf} | I ² C input fall time | | 300 | $20 + 0.1C_b$ ⁽²⁾ | 300 | ns |
| t_{ocf} | I ² C output fall time (10-pF to 400-pF bus) | | 300 | $20 + 0.1C_b$ ⁽²⁾ | 300 | ns |
| t_{buf} | I ² C bus free time between stop and start | 4.7 | | 1.3 | | μ s |
| t_{sts} | I ² C start or repeated start condition setup | 4.7 | | 0.6 | | μ s |
| t_{sth} | I ² C start or repeated start condition hold | 4 | | 0.6 | | μ s |
| t_{sps} | I ² C stop condition setup | 4 | | 0.6 | | μ s |
| $t_{vdL(Data)}$ | Valid-data time (high to low) ⁽³⁾ | SCL low to SDA output low valid | | | 1 | μ s |
| $t_{vdH(Data)}$ | Valid-data time (low to high) ⁽³⁾ | SCL low to SDA output high valid | | 0.6 | 0.6 | μ s |
| $t_{vd(ack)}$ | Valid-data time of ACK condition | ACK signal from SCL low to SDA output low | | 1 | 1 | μ s |
| C_b | I ² C bus capacitive load | | 400 | | 400 | pF |

- (1) A device internally must provide a hold time of at least 300 ns for the SDA signal (referred to as the V_{IH} min of the SCL signal), in order to bridge the undefined region of the falling edge of SCL.
- (2) C_b = total bus capacitance of one bus line in pF
- (3) Data taken using a 1-k Ω pull-up resistor and 50-pF load (see Figure 7-1).

6.7 Switching Characteristics

over recommended operating free-air temperature range, $C_L \leq 100$ pF (unless otherwise noted) (see Figure 7-1)

| PARAMETER | | FROM (INPUT) | TO (OUTPUT) | MIN | MAX | UNIT |
|-------------------------|---|-------------------|------------------|-----|-----|---------|
| t_{pd} ⁽¹⁾ | Propagation delay time | SDA or SCL | SDn or SCn | 0.3 | | ns |
| | | | | 1 | | |
| t_{iv} | Interrupt valid time ⁽²⁾ | \overline{INTn} | \overline{INT} | | 4 | μ s |
| t_{ir} | Interrupt reset delay time ⁽²⁾ | \overline{INTn} | \overline{INT} | | 2 | μ s |

- (1) The propagation delay is the calculated RC time constant of the typical ON-state resistance of the switch and the specified load capacitance, when driven by an ideal voltage source (zero output impedance).
- (2) Data taken using a 4.7-k Ω pull-up resistor and 100-pF load (see Figure 7-2).

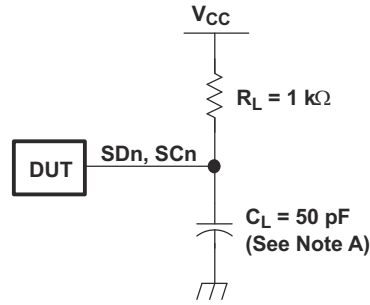
6.8 Interrupt Timing Requirements

over recommended operating free-air temperature range (unless otherwise noted)

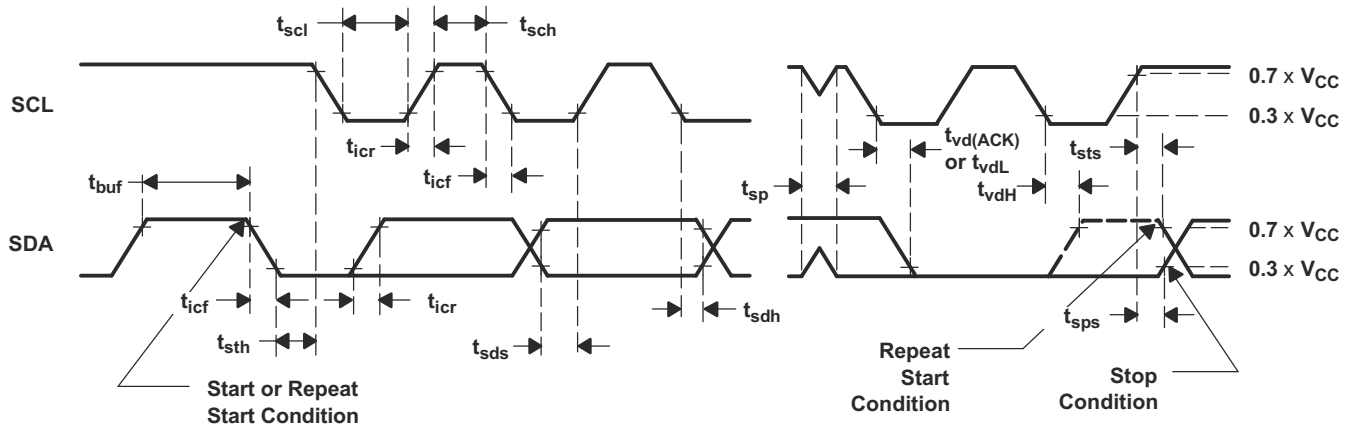
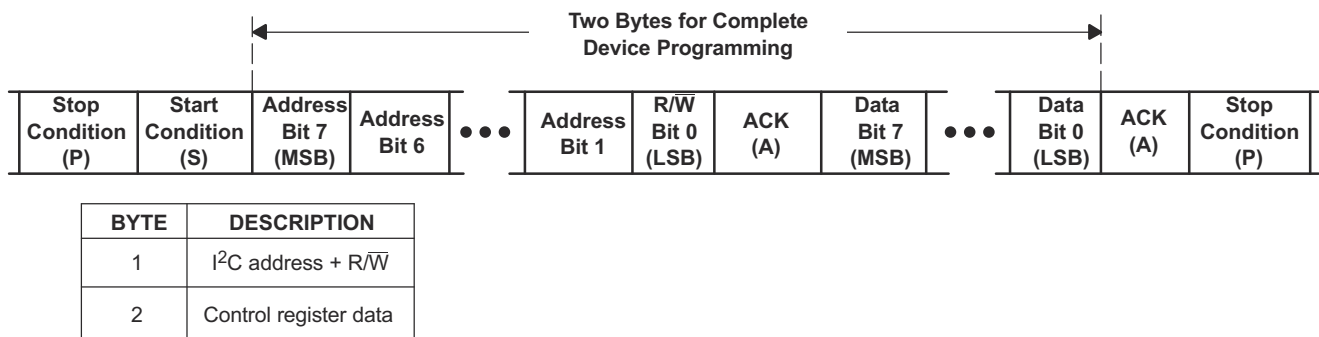
| PARAMETER | | MIN | MAX | UNIT |
|------------|--|-----|-----|---------|
| t_{PWRL} | Low-level pulse duration rejection of \overline{INTn} inputs ⁽¹⁾ | 1 | | μ s |
| t_{PWRH} | High-level pulse duration rejection of \overline{INTn} inputs ⁽¹⁾ | 0.5 | | μ s |

- (1) Data taken using a 4.7-k Ω pull-up resistor and 100-pF load (see Figure 7-2).

7 Parameter Measurement Information



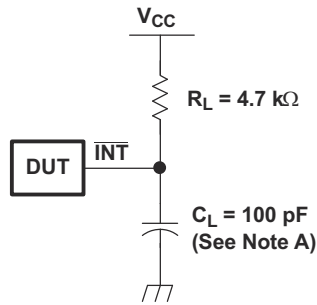
I²C-Port Load Configuration



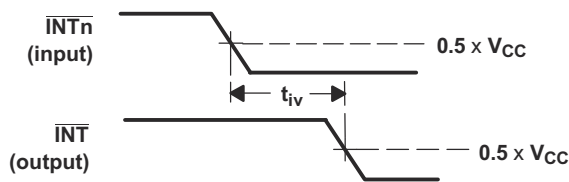
Voltage Waveforms

- A. C_L includes probe and jig capacitance.
- B. All input pulses are supplied by generators having the following characteristics: $PRR \leq 10$ MHz, $Z_O = 50 \Omega$, $t_r/t_f \leq 30$ ns
- C. The outputs are measured one at a time, with one transition per measurement.

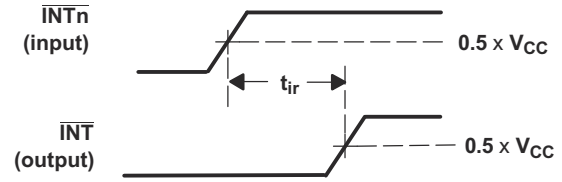
Figure 7-1. I²C Interface Load Circuit, Byte Descriptions, and Voltage Waveforms



Interrupt Load Configuration



Voltage Waveforms (t_{iv})



Voltage Waveforms (t_{ir})

- A. C_L includes probe and jig capacitance.
- B. All input pulses are supplied by generators having the following characteristics: PRR \leq 10 MHz, $Z_O = 50 \Omega$, $t_r/t_f \leq 30$ ns

Figure 7-2. Interrupt Load Circuit and Voltage Waveforms

8 Detailed Description

8.1 Overview

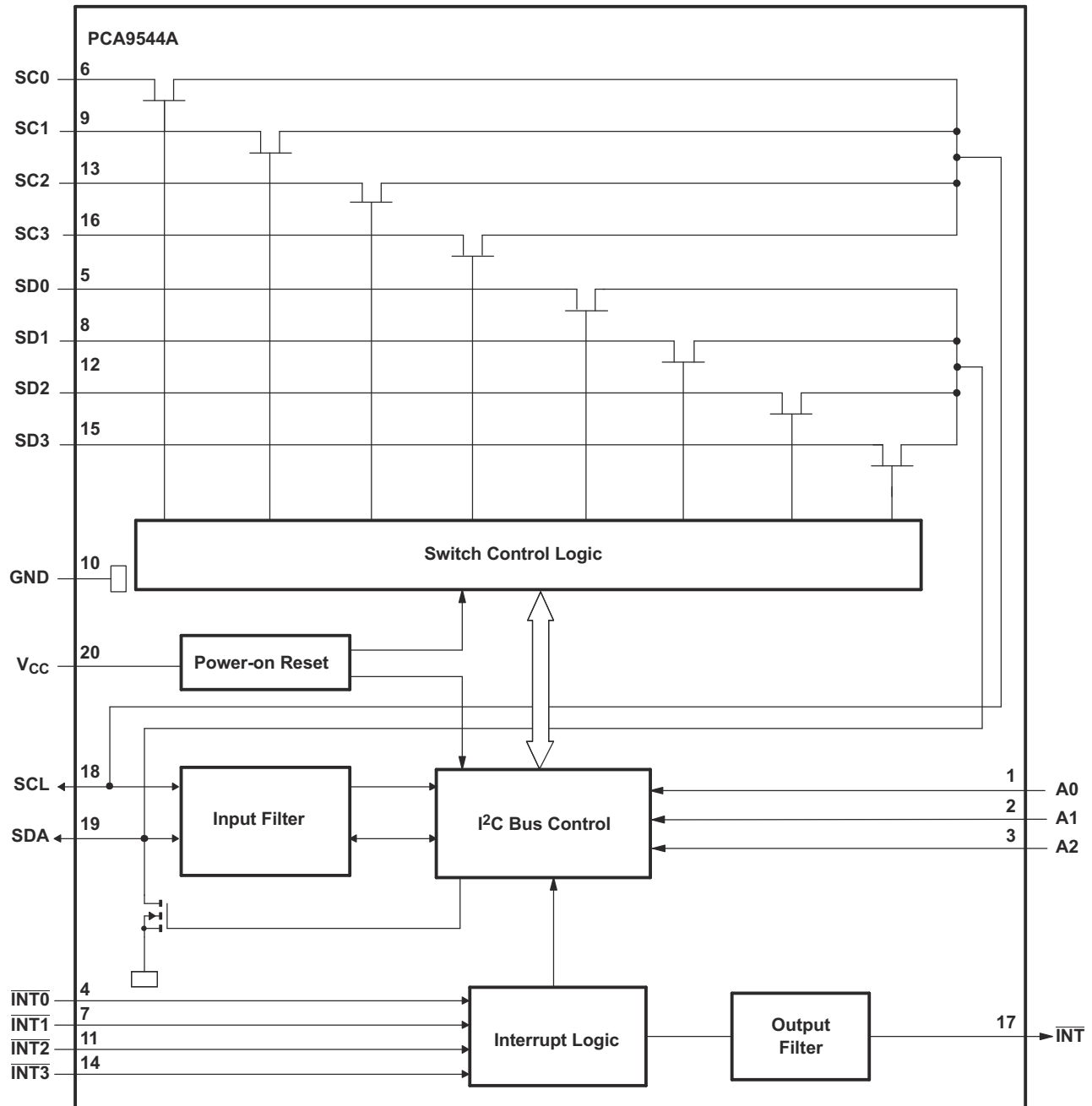
The PCA9544A is a 4-channel, bidirectional translating I²C multiplexer. The master SCL/SDA signal pair is directed to one of the four channels of slave devices, SC0/SD0-SC3/SD3. Only one individual downstream channel can be selected of the four channels at a time. The PCA9544A also supports interrupt signals in order for the master to detect an interrupt on the $\overline{\text{INT}}$ output pin that can result from any of the slave devices connected to the $\overline{\text{INT3}}$ - $\overline{\text{INT0}}$ input pins.

The device can be reset by cycling the power supply, V_{CC} , also known as a power-on reset (POR), which resets the state machine and allows the PCA9544A to recover should one of the downstream I²C buses get stuck in a low state. A POR event causes all channels to be deselected.

The connections of the I²C data path are controlled by the same I²C master device that is switched to communicate with multiple I²C slaves. After the successful acknowledgment of the slave address (hardware selectable by A0-A2 pins), a single 8-bit control register is written to or read from to determine the selected channels and state of the interrupts.

The PCA9544A may also be used for voltage translation, allowing the use of different bus voltages on each SCn/SDn pair such that 1.8-V, 2.5-V, or 3.3-V parts can communicate with 5-V parts. This is achieved by using external pull-up resistors to pull the bus up to the desired voltage for the master and each slave channel.

8.2 Functional Block Diagram



A. Pin numbers shown are for DGV, DW, PW, and RGY packages.

8.3 Feature Description

The PCA9544A is a 4-channel, bidirectional translating multiplexer for I²C buses that supports Standard-Mode (100 kHz) and Fast-Mode (400 kHz) operation. The PCA9544A features I²C control using a single 8-bit control register in which the three least significant bits control the enabling and disabling of the 4 switch channels of I²C data flow. The PCA9544A also supports interrupt signals for each slave channel and this data is held in the four most significant bits of the control register. Depending on the application, voltage translation of the I²C bus can also be achieved using the PCA9544A to allow 1.8-V, 2.5-V, or 3.3-V parts to communicate with 5-V parts. Additionally, in the event that communication on the I²C bus enters a fault state, the PCA9544A can be reset to resume normal operation by means of a power-on reset which results from cycling power to the device.

8.4 Device Functional Modes

8.4.1 Power-On Reset

When power is applied to V_{CC}, an internal power-on reset holds the PCA9544A in a reset condition until V_{CC} has reached V_{POR}. At this point, the reset condition is released, and the PCA9544A registers and I²C state machine are initialized to their default states, all zeroes, causing all the channels to be deselected. Thereafter, V_{CC} must be lowered below V_{POR} to reset the device.

8.5 Programming

8.5.1 I²C Interface

The I²C bus is for two-way two-line communication between different ICs or modules. The two lines are a serial data line (SDA) and a serial clock line (SCL). Both lines must be connected to a positive supply via a pull-up resistor when connected to the output stages of a device. Data transfer can be initiated only when the bus is not busy.

One data bit is transferred during each clock pulse. The data on the SDA line must remain stable during the high period of the clock pulse, as changes in the data line at this time are interpreted as control signals (see [Figure 8-1](#)).

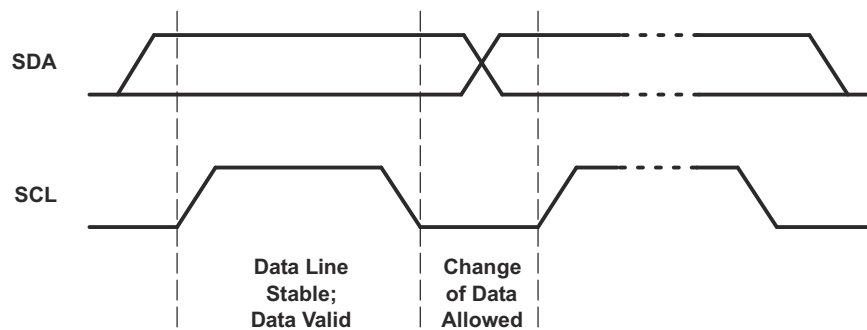


Figure 8-1. Bit Transfer

Both data and clock lines remain high when the bus is not busy. A high-to-low transition of the data line while the clock is high is defined as the start condition (S). A low-to-high transition of the data line while the clock is high is defined as the stop condition (P) (see [Figure 8-2](#)).

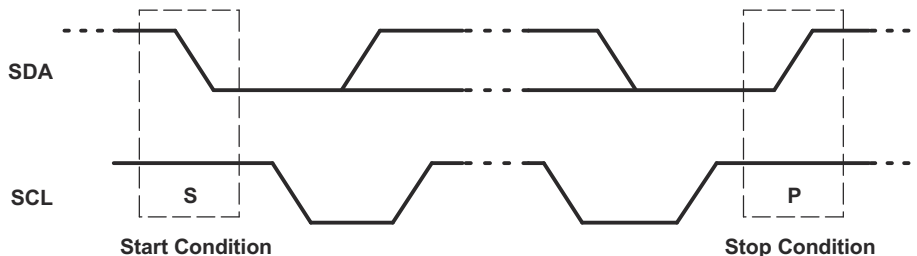


Figure 8-2. Definition of Start and Stop Conditions

A device generating a message is a transmitter; a device receiving a message is the receiver. The device that controls the message is the master, and the devices that are controlled by the master are the slaves (see [Figure 8-3](#)).

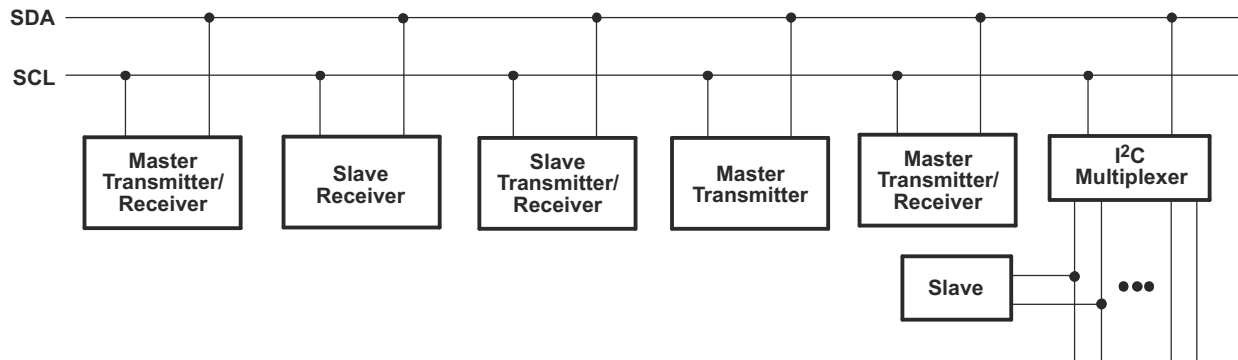


Figure 8-3. System Configuration

The number of data bytes transferred between the start and the stop conditions from transmitter to receiver is not limited. Each byte of eight bits is followed by one ACK bit. The transmitter must release the SDA line before the receiver can send an ACK bit.

When a slave receiver is addressed, it must generate an acknowledge (ACK) after the reception of each byte. Also, a master must generate an ACK after the reception of each byte that has been clocked out of the slave transmitter. The device that acknowledges must pull down the SDA line during the ACK clock pulse so that the SDA line is stable low during the high pulse of the ACK-related clock period (see [Figure 8-4](#)). Setup and hold times must be taken into account.

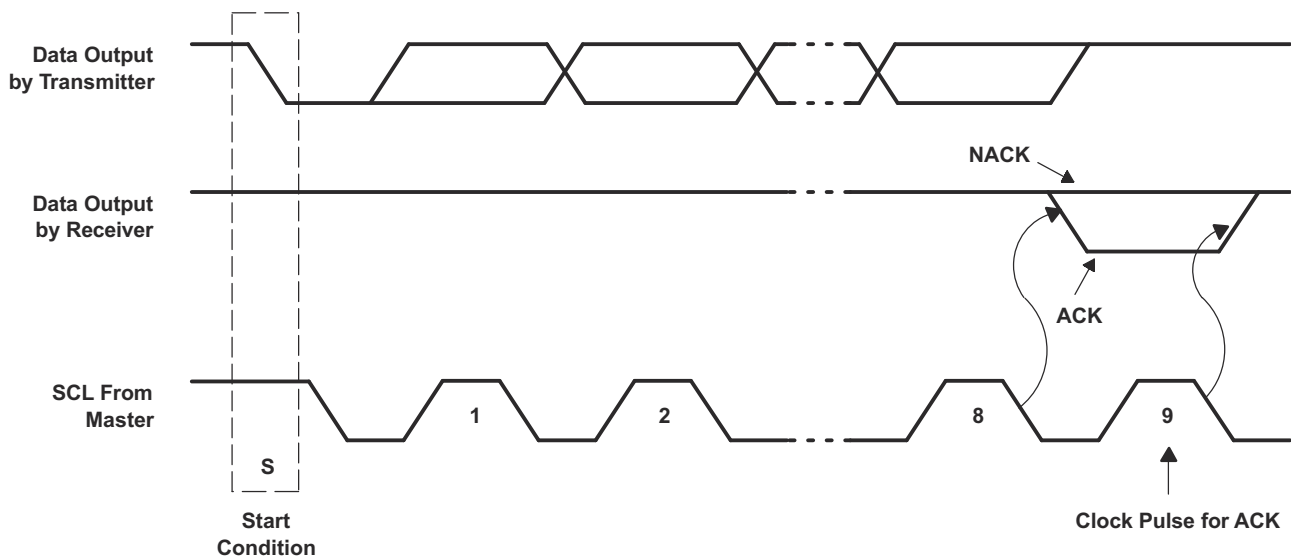


Figure 8-4. Acknowledgment on the I²C Bus

A master receiver must signal an end of data to the transmitter by not generating an acknowledge (NACK) after the last byte has been clocked out of the slave. This is done by the master receiver by holding the SDA line high. In this event, the transmitter must release the data line to enable the master to generate a stop condition.

Data is transmitted to the PCA9544A control register using the write mode shown in [Figure 8-5](#).

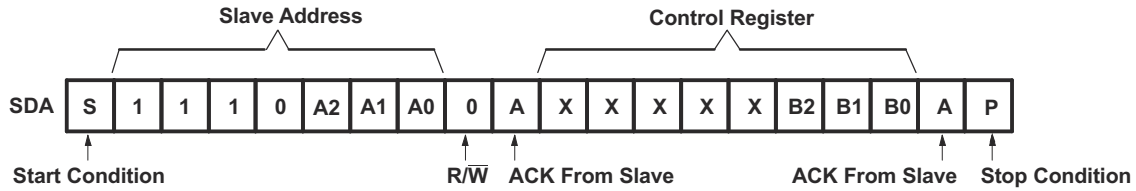


Figure 8-5. Write Control Register

Data is read from the PCA9544A control register using the read mode shown in Figure 8-6.

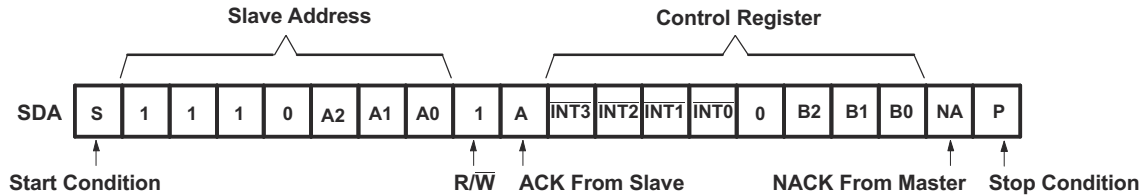


Figure 8-6. Read Control Register

8.6 Register Map

8.6.1 Control Register

8.6.1.1 Device Address

Following a start condition, the bus master must output the address of the slave it is accessing. The address of the PCA9544A is shown in Figure 8-7. To conserve power, no internal pull-up resistors are incorporated on the hardware-selectable address pins, and they must be pulled high or low.

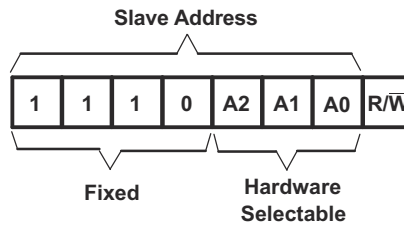


Figure 8-7. PCA9544A Address

The last bit of the slave address defines the operation to be performed. When set to a logic 1, a read is selected, while a logic 0 selects a write operation.

8.6.1.2 Control Register Description

Following the successful acknowledgment of the slave address, the bus master sends a byte to the PCA9544A, which is stored in the control register. If multiple bytes are received by the PCA9544A, it saves the last byte received. This register can be written and read via the I²C bus.

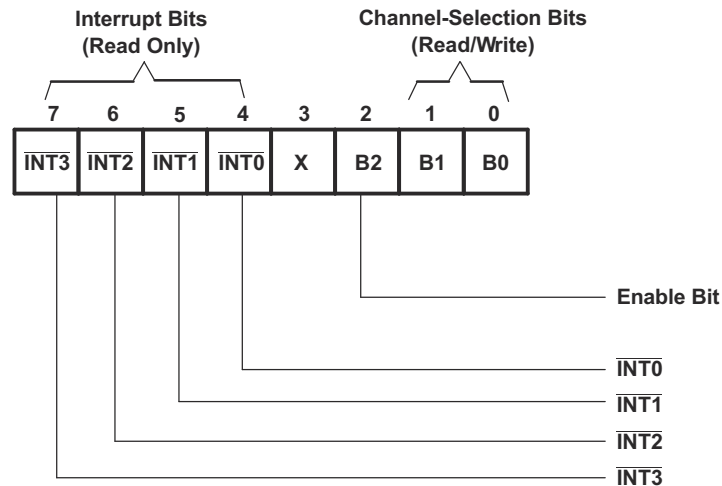


Figure 8-8. Control Register

8.6.1.3 Control Register Definition

Only one SCn/SDn downstream pair, or channel, can be selected by the contents of the control register (see [Table 8-1](#)). This register is written after the PCA9544A has been addressed. The three LSBs of the control byte are used to determine which channel is to be selected. When a channel is selected, the channel becomes active after a stop condition has been placed on the I²C bus. This ensures that all SCn/SDn lines are in a high state when the channel is made active, so that no false conditions are generated at the time of connection. A stop condition always must occur right after the acknowledge cycle.

Table 8-1. Control Register Write (Channel Selection), Control Register Read (Channel Status) ⁽¹⁾

| INT3 | INT2 | INT1 | INT0 | D3 | B2 | B1 | B0 | COMMAND |
|------|------|------|------|----|----|----|----|---|
| X | X | X | X | X | 0 | X | X | No channel selected |
| X | X | X | X | X | 1 | 0 | 0 | Channel 0 enabled |
| X | X | X | X | X | 1 | 0 | 1 | Channel 1 enabled |
| X | X | X | X | X | 1 | 1 | 0 | Channel 2 enabled |
| X | X | X | X | X | 1 | 1 | 1 | Channel 3 enabled |
| 0 | 0 | 0 | 0 | 0 | 0 | 0 | 0 | No channel selected, power-up default state |

(1) Only one channel may be selected at a time.

8.6.1.4 Interrupt Handling

The PCA9544A provides four interrupt inputs (one for each channel) and one open-drain interrupt output. When an interrupt is generated by any device, it is detected by the PCA9544A, and the interrupt output is driven low. The channel does not need to be active for detection of the interrupt. A bit also is set in the control register (see [Table 8-2](#)).

Bits 4–7 of the control register correspond to channels 0–3 of the PCA9544A, respectively. Therefore, if an interrupt is generated by any device connected to channel 1, the state of the interrupt inputs is loaded into the control register when a read is accomplished. Likewise, an interrupt on any device connected to channel 0 causes bit 4 of the control register to be set on the read. The master then can address the PCA9544A and read the contents of the control register to determine which channel contains the device generating the interrupt. The master can reconfigure the PCA9544A to select this channel and locate the device generating the interrupt and clear it. Once the device responsible for the interrupt clears, the interrupt clears.

It should be noted that more than one device can provide an interrupt on a channel, so it is up to the master to ensure that all devices on a channel are interrogated for an interrupt.

The interrupt inputs can be used as general-purpose inputs if the interrupt function is not required.

If unused, interrupt input(s) must be connected to V_{CC} .

Table 8-2. Control Register Read (Interrupt) ⁽¹⁾

| INT3 | INT2 | INT1 | INT0 | D3 | B2 | B1 | B0 | COMMAND |
|------|------|------|------|----|----|----|----|---------------------------|
| X | X | X | 0 | X | X | X | X | No interrupt on channel 0 |
| | | | 1 | | | | | Interrupt on channel 0 |
| X | X | 0 | X | X | X | X | X | No interrupt on channel 1 |
| | | 1 | | | | | | Interrupt on channel 1 |
| X | 0 | X | X | X | X | X | X | No interrupt on channel 2 |
| | 1 | | | | | | | Interrupt on channel 2 |
| 0 | X | X | X | X | X | X | X | No interrupt on channel 3 |
| 1 | | | | | | | | Interrupt on channel 3 |

(1) Several interrupts can be active at the same time. For example, $\overline{\text{INT}}3 = 0$, $\overline{\text{INT}}2 = 1$, $\overline{\text{INT}}1 = 1$, $\overline{\text{INT}}0 = 0$ means that there is no interrupt on channels 0 and 3, and there is interrupt on channels 1 and 2.

9 Application Information Disclaimer

Note

Information in the following applications sections is not part of the TI component specification, and TI does not warrant its accuracy or completeness. TI's customers are responsible for determining suitability of components for their purposes, as well as validating and testing their design implementation to confirm system functionality.

9.1 Application Information

Applications of the PCA9544A contain an I²C (or SMBus) master device and up to four I²C slave devices. The downstream channels are ideally used to resolve I²C slave address conflicts. For example, if four identical digital temperature sensors are needed in the application, one sensor can be connected at each channel: 0, 1, 2, and 3. When the temperature at a specific location needs to be read, the appropriate channel can be enabled and all other channels switched off, the data can be retrieved, and the I²C master can move on and read the next channel.

In an application where the I²C bus contains many additional slave devices that do not result in I²C slave address conflicts, these slave devices can be connected to any desired channel to distribute the total bus capacitance across multiple channels.

9.2 Typical Application

A typical application of the PCA9544A contains anywhere from 1 to 5 separate data pull-up voltages, V_{DPUX} , one for the master device (V_{DPUM}) and one for each of the selectable slave channels ($V_{DPU0} - V_{DPU3}$). In the event where the master device and all slave devices operate at the same voltage, then the pass voltage, $V_{pass} = V_{DPUX}$. Once the maximum V_{pass} is known, V_{CC} can be selected using Figure 9-2. In an application where voltage translation is necessary, additional design requirements must be considered (See [Design Requirements](#)).

Figure 9-1 shows an application in which the PCA9544A can be used.

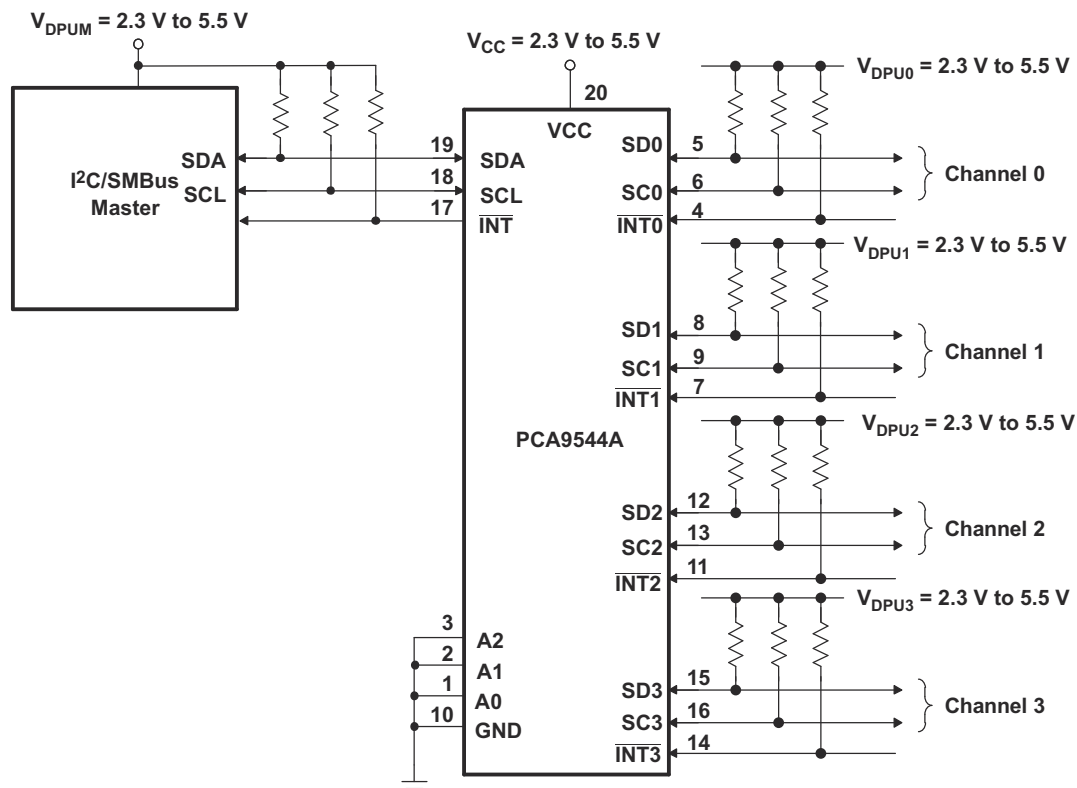


Figure 9-1. Typical Application

9.2.1 Design Requirements

The pull-up resistors on the $\overline{\text{INT3}}$ - $\overline{\text{INT0}}$ terminals in the application schematic are not required in all applications. If the device generating the interrupt has an open-drain output structure or can be tri-stated, a pull-up resistor is required. If the device generating the interrupt has a push-pull output structure and cannot be tri-stated, a pull-up resistor is not required. The interrupt inputs should not be left floating in the application.

The A0 and A1 terminals are hardware selectable to control the slave address of the PCA9544A. These terminals may be tied directly to GND or V_{CC} in the application.

If multiple slave channels are activated simultaneously in the application, then the total I_{OL} from SCL/SDA to GND on the master side are the sum of the currents through all pull-up resistors, R_p .

The pass-gate transistors of the PCA9544A are constructed such that the V_{CC} voltage can be used to limit the maximum voltage that is passed from one I²C bus to another.

Figure 9-2 shows the voltage characteristics of the pass-gate transistors (note that the graph was generated using data specified in the [Electrical Characteristics](#) section of this data sheet). In order for the PCA9544A to act as a voltage translator, the V_{pass} voltage must be equal to or lower than the lowest bus voltage. For example, if the main bus is running at 5 V and the downstream buses are 3.3 V and 2.7 V, V_{pass} must be equal to or below 2.7 V to effectively clamp the downstream bus voltages. As shown in Figure 9-2, $V_{pass(max)}$ is 2.7 V when the PCA9544A supply voltage is 4 V or lower, so the PCA9544A supply voltage could be set to 3.3 V. pull-up resistors then can be used to bring the bus voltages to their appropriate levels (see Figure 9-1).

9.2.2 Detailed Design Procedure

Once all the slaves are assigned to the appropriate slave channels and bus voltages are identified, the pull-up resistors, R_p , for each of the buses need to be selected appropriately. The minimum pull-up resistance is a function of V_{DPUX} , $V_{OL(max)}$, and I_{OL} :

$$R_{p(min)} = \frac{V_{DPUX} - V_{OL(max)}}{I_{OL}} \quad (1)$$

The maximum pull-up resistance is a function of the maximum rise time, t_r (300 ns for fast-mode operation, $f_{SCL} = 400$ kHz) and bus capacitance, C_b :

$$R_{p(max)} = \frac{t_r}{0.8473 \times C_b} \quad (2)$$

The maximum bus capacitance for an I²C bus must not exceed 400 pF for fast-mode operation. The bus capacitance can be approximated by adding the capacitance of the PCA9544A, $C_{iO(OFF)}$, the capacitance of wires/connections/traces, and the capacitance of each individual slave on a given channel. If multiple channels are activated simultaneously, each of the slaves on all channels contributes to total bus capacitance.

9.2.3 Application Curves

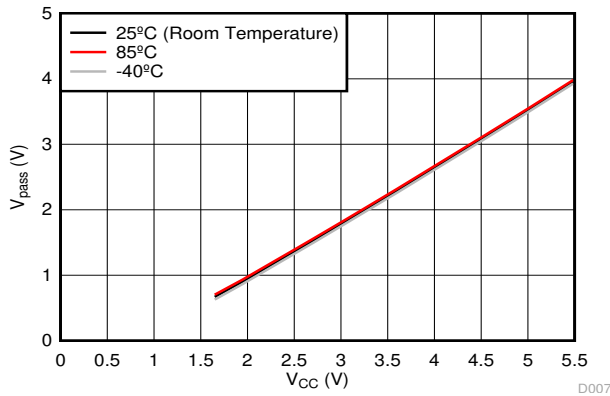
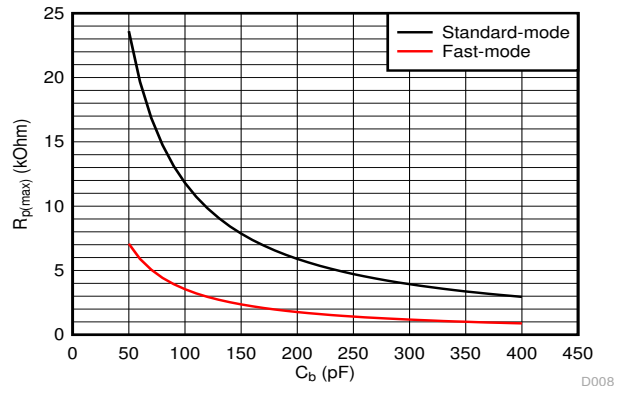
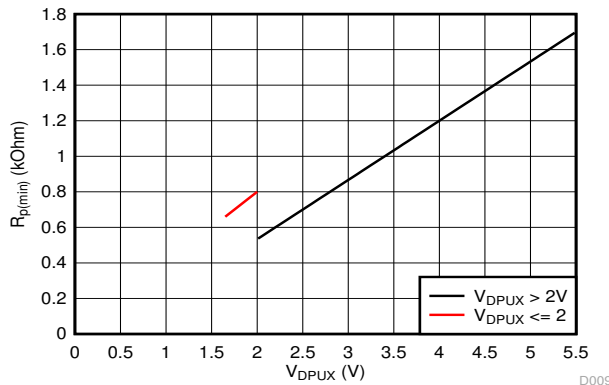


Figure 9-2. Pass-Gate Voltage (V_{pass}) vs Supply Voltage (V_{CC}) at Three Temperature Points



Standard-mode ($f_{SCL} = 100$ kHz, $t_r = 1$ μ s) Fast-mode ($f_{SCL} = 400$ kHz, $t_r = 300$ ns)

Figure 9-3. Maximum Pull-up resistance ($R_{p(max)}$) vs Bus Capacitance (C_b)



$V_{OL} = 0.2 \cdot V_{DPUX}$, $I_{OL} = 2$ mA when $V_{DPUX} \leq 2$ V
 $V_{OL} = 0.4$ V, $I_{OL} = 3$ mA when $V_{DPUX} > 2$ V

Figure 9-4. Minimum Pull-up Resistance ($R_{p(min)}$) vs Pull-up Reference Voltage (V_{DPUX})

10 Power Supply Recommendations

10.1 Power-On Reset Requirements

In the event of a glitch or data corruption, PCA9544A can be reset to its default conditions by using the power-on reset feature. Power-on reset requires that the device go through a power cycle to be completely reset. This reset also happens when the device is powered on for the first time in an application.

The two types of power-on reset are shown in [Figure 10-1](#) and [Figure 10-2](#).

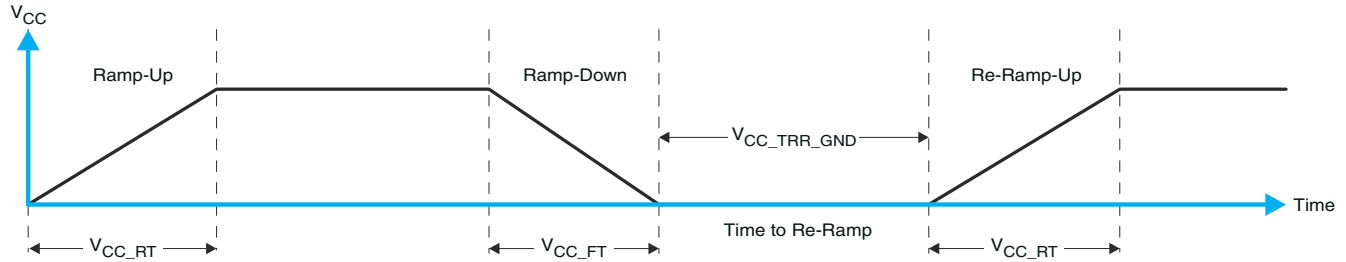


Figure 10-1. V_{CC} Is Lowered Below 0.2 V Or 0 V And Then Ramped Up To V_{CC}

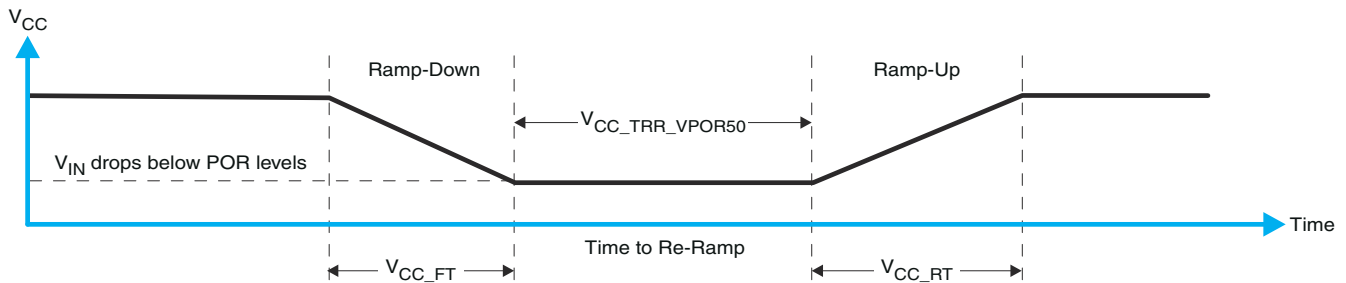


Figure 10-2. V_{CC} Is Lowered Below The Por Threshold, Then Ramped Back Up To V_{CC}

[Table 10-1](#) specifies the performance of the power-on reset feature for PCA9544A for both types of power-on reset.

Table 10-1. Recommended Supply Sequencing And Ramp Rates ⁽¹⁾

| PARAMETER | | MIN | TYP | MAX | UNIT |
|----------------------|---|---------------------------------|-------|-------|---------|
| V_{CC_FT} | Fall rate | See Figure 10-1 | 1 | 100 | ms |
| V_{CC_RT} | Rise rate | See Figure 10-1 | 0.01 | 100 | ms |
| $V_{CC_TRR_GND}$ | Time to re-ramp (when V_{CC} drops to GND) | See Figure 10-1 | 0.001 | | ms |
| $V_{CC_TRR_POR50}$ | Time to re-ramp (when V_{CC} drops to $V_{POR_MIN} - 50$ mV) | See Figure 10-2 | 0.001 | | ms |
| V_{CC_GH} | Level that V_{CCP} can glitch down to, but not cause a functional disruption when $V_{CCX_GW} = 1$ μ s | See Figure 10-3 | | 1.2 | V |
| V_{CC_GW} | Glitch width that will not cause a functional disruption when $V_{CCX_GH} = 0.5 \times V_{CCX}$ | See Figure 10-3 | | | μ s |
| V_{PORF} | Voltage trip point of POR on falling V_{CC} | | 0.767 | 1.144 | V |
| V_{PORR} | Voltage trip point of POR on rising V_{CC} | | 1.033 | 1.428 | V |

(1) $T_A = -40^\circ\text{C}$ to 85°C (unless otherwise noted)

Glitches in the power supply can also affect the power-on reset performance of this device. The glitch width (V_{CC_GW}) and height (V_{CC_GH}) are dependent on each other. The bypass capacitance, source impedance, and the device impedance are factors that affect power-on reset performance. [Figure 10-3](#) and [Table 10-1](#) provide more information on how to measure these specifications.

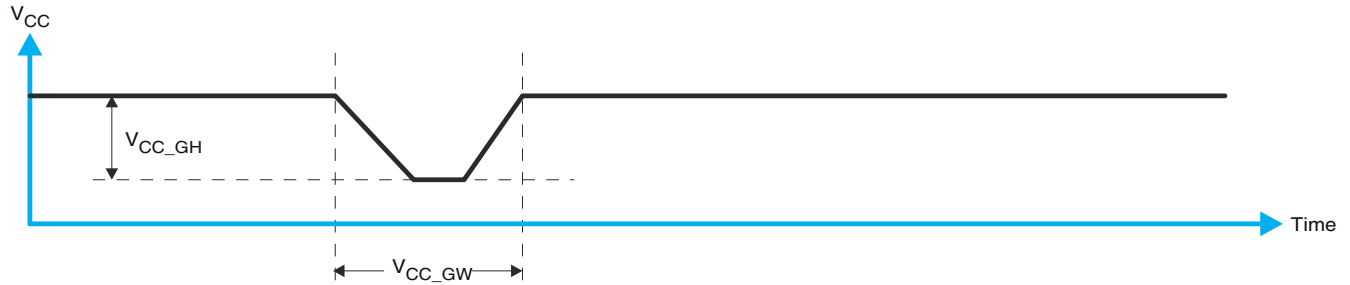


Figure 10-3. Glitch Width And Glitch Height

V_{POR} is critical to the power-on reset. V_{POR} is the voltage level at which the reset condition is released and all the registers and the I²C/SMBus state machine are initialized to their default states. The value of V_{POR} differs based on the V_{CC} being lowered to or from 0. Figure 10-4 and Table 10-1 provide more details on this specification.

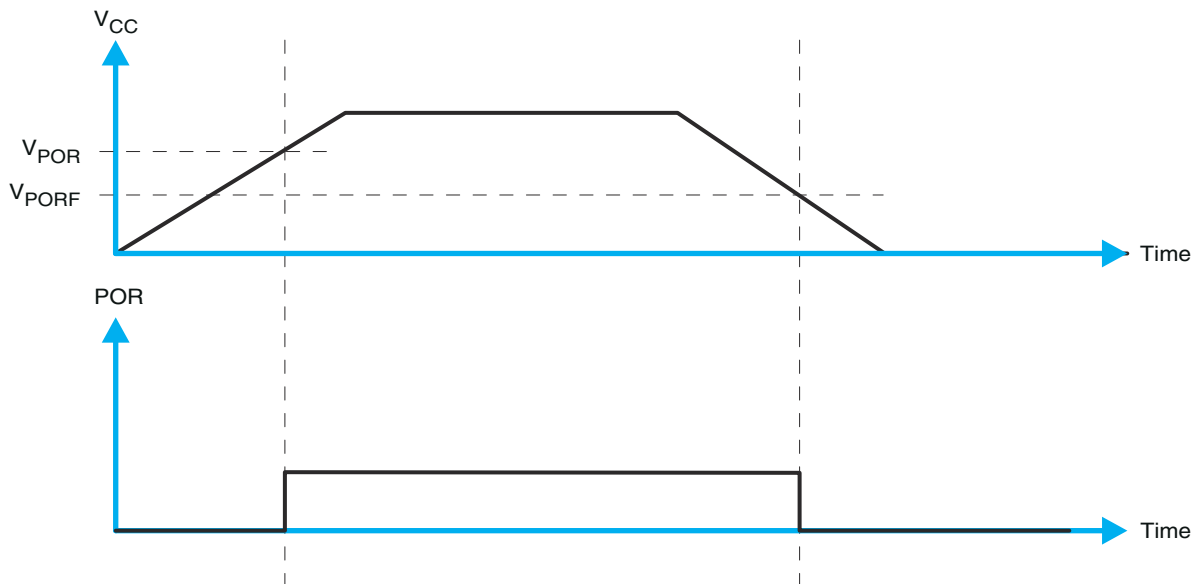


Figure 10-4. V_{POR}

11 Layout

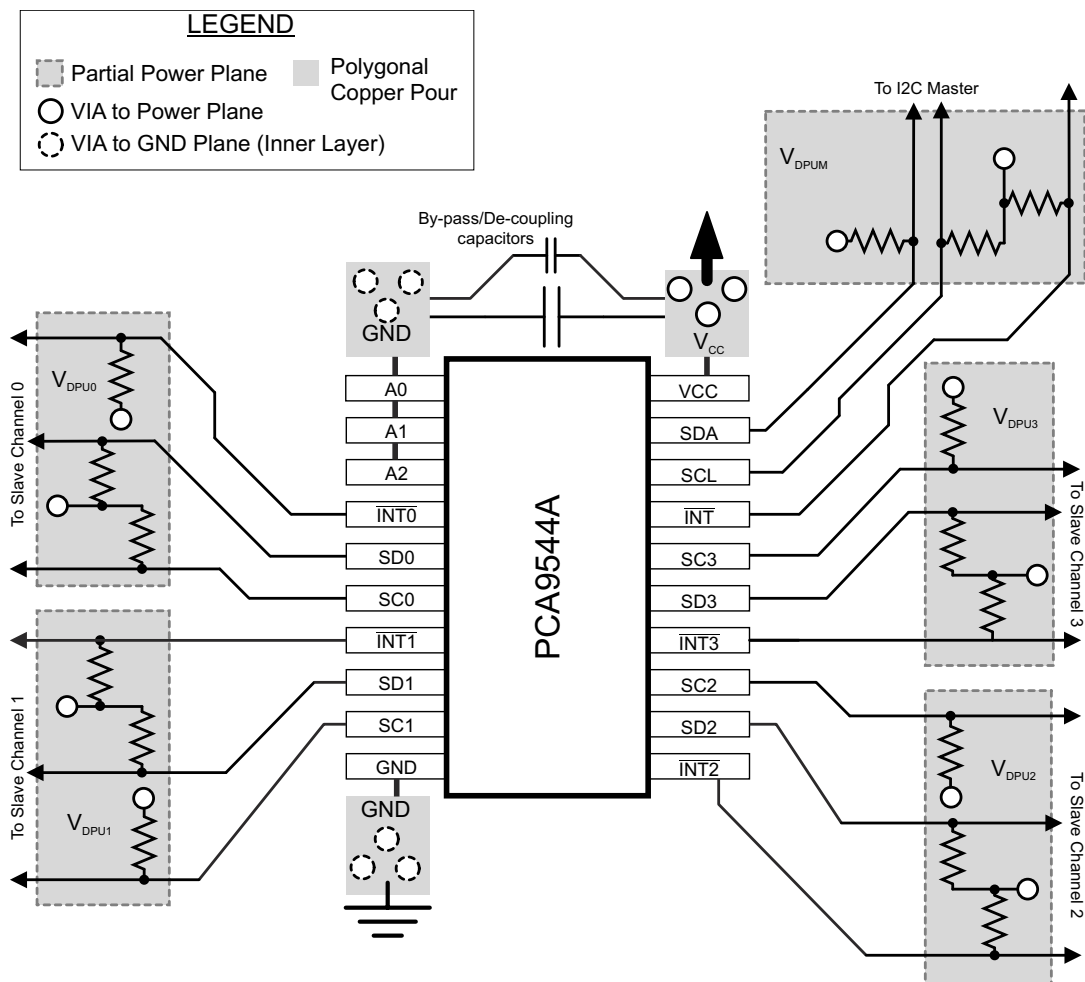
11.1 Layout Guidelines

For PCB layout of the PCA9544A, common PCB layout practices should be followed but additional concerns related to high-speed data transfer such as matched impedances and differential pairs are not a concern for I²C signal speeds. It is common to have a dedicated ground plane on an inner layer of the board and terminals that are connected to ground should have a low-impedance path to the ground plane in the form of wide polygon pours and multiple vias. By-pass and de-coupling capacitors are commonly used to control the voltage on the VCC terminal, using a larger capacitor to provide additional power in the event of a short power supply glitch and a smaller capacitor to filter out high-frequency ripple.

In an application where voltage translation is not required, all V_{DPUX} voltages and V_{CC} could be at the same potential and a single copper plane could connect all of pull-up resistors to the appropriate reference voltage. In an application where voltage translation is required, V_{DPUM}, V_{DPU0}, V_{DPU1}, V_{DPU2}, and V_{DPU3} may all be on the same layer of the board with split planes to isolate different voltage potentials.

To reduce the total I²C bus capacitance added by PCB parasitics, data lines (SC_n, SD_n and INT_n) should be as short as possible and the widths of the traces should also be minimized (e.g. 5-10 mils depending on copper weight).

11.2 Layout Example



12 Device and Documentation Support

12.1 Receiving Notification of Documentation Updates

To receive notification of documentation updates, navigate to the device product folder on ti.com. In the upper right corner, click on *Alert me* to register and receive a weekly digest of any product information that has changed. For change details, review the revision history included in any revised document.

12.2 Support Resources

TI E2E™ support forums are an engineer's go-to source for fast, verified answers and design help — straight from the experts. Search existing answers or ask your own question to get the quick design help you need.

Linked content is provided "AS IS" by the respective contributors. They do not constitute TI specifications and do not necessarily reflect TI's views; see TI's [Terms of Use](#).

12.3 Trademarks

TI E2E™ is a trademark of Texas Instruments.

All trademarks are the property of their respective owners.

12.4 Electrostatic Discharge Caution



This integrated circuit can be damaged by ESD. Texas Instruments recommends that all integrated circuits be handled with appropriate precautions. Failure to observe proper handling and installation procedures can cause damage.

ESD damage can range from subtle performance degradation to complete device failure. Precision integrated circuits may be more susceptible to damage because very small parametric changes could cause the device not to meet its published specifications.

12.5 Glossary

[TI Glossary](#) This glossary lists and explains terms, acronyms, and definitions.

13 Mechanical, Packaging, and Orderable Information

The following packaging information and addendum reflect the most current data available for the designated devices. This data is subject to change without notice and revision of this document. The following packaging information and addendum reflect the most current data available for the designated devices. This data is subject to change without notice and revision of this document.

PACKAGING INFORMATION

| Orderable part number | Status (1) | Material type (2) | Package Pins | Package qty Carrier | RoHS (3) | Lead finish/ Ball material (4) | MSL rating/ Peak reflow (5) | Op temp (°C) | Part marking (6) |
|------------------------------|---------------|----------------------|------------------|-----------------------|-------------|--------------------------------------|-----------------------------------|--------------|---------------------|
| PCA9544ADGVR | NRND | Production | TVSOP (DGV) 20 | 2000 LARGE T&R | Yes | NIPDAU | Level-1-260C-UNLIM | -40 to 85 | PD544A |
| PCA9544ADGVR.A | NRND | Production | TVSOP (DGV) 20 | 2000 LARGE T&R | Yes | NIPDAU | Level-1-260C-UNLIM | -40 to 85 | PD544A |
| PCA9544ADW | NRND | Production | SOIC (DW) 20 | 25 TUBE | Yes | NIPDAU | Level-1-260C-UNLIM | -40 to 85 | PCA9544A |
| PCA9544ADW.A | NRND | Production | SOIC (DW) 20 | 25 TUBE | Yes | NIPDAU | Level-1-260C-UNLIM | -40 to 85 | PCA9544A |
| PCA9544ADWR | NRND | Production | SOIC (DW) 20 | 2000 LARGE T&R | Yes | NIPDAU | Level-1-260C-UNLIM | -40 to 85 | PCA9544A |
| PCA9544ADWR.A | NRND | Production | SOIC (DW) 20 | 2000 LARGE T&R | Yes | NIPDAU | Level-1-260C-UNLIM | -40 to 85 | PCA9544A |
| PCA9544APWR | Active | Production | TSSOP (PW) 20 | 2000 LARGE T&R | Yes | NIPDAU | Level-1-260C-UNLIM | -40 to 85 | PD544A |
| PCA9544APWR.B | Active | Production | TSSOP (PW) 20 | 2000 LARGE T&R | Yes | NIPDAU | Level-1-260C-UNLIM | -40 to 85 | PD544A |
| PCA9544APWRG4 | Active | Production | TSSOP (PW) 20 | 2000 LARGE T&R | Yes | NIPDAU | Level-1-260C-UNLIM | -40 to 85 | PD544A |
| PCA9544APWT | Obsolete | Production | TSSOP (PW) 20 | - | - | Call TI | Call TI | -40 to 85 | PD544A |
| PCA9544ARGYR | Active | Production | VQFN (RGY) 20 | 3000 LARGE T&R | Yes | SN | Level-2-260C-1 YEAR | -40 to 85 | PD544A |
| PCA9544ARGYR.B | Active | Production | VQFN (RGY) 20 | 3000 LARGE T&R | Yes | SN | Level-2-260C-1 YEAR | -40 to 85 | PD544A |
| PCA9544ARGYRG4 | Active | Production | VQFN (RGY) 20 | 3000 LARGE T&R | Yes | NIPDAU | Level-2-260C-1 YEAR | -40 to 85 | PD544A |
| PCA9544ARGYRG4.B | Active | Production | VQFN (RGY) 20 | 3000 LARGE T&R | Yes | NIPDAU | Level-2-260C-1 YEAR | -40 to 85 | PD544A |

(1) **Status:** For more details on status, see our [product life cycle](#).

(2) **Material type:** When designated, preproduction parts are prototypes/experimental devices, and are not yet approved or released for full production. Testing and final process, including without limitation quality assurance, reliability performance testing, and/or process qualification, may not yet be complete, and this item is subject to further changes or possible discontinuation. If available for ordering, purchases will be subject to an additional waiver at checkout, and are intended for early internal evaluation purposes only. These items are sold without warranties of any kind.

(3) **RoHS values:** Yes, No, RoHS Exempt. See the [TI RoHS Statement](#) for additional information and value definition.

(4) **Lead finish/Ball material:** Parts may have multiple material finish options. Finish options are separated by a vertical ruled line. Lead finish/Ball material values may wrap to two lines if the finish value exceeds the maximum column width.

(5) **MSL rating/Peak reflow:** The moisture sensitivity level ratings and peak solder (reflow) temperatures. In the event that a part has multiple moisture sensitivity ratings, only the lowest level per JEDEC standards is shown. Refer to the shipping label for the actual reflow temperature that will be used to mount the part to the printed circuit board.

(6) **Part marking:** There may be an additional marking, which relates to the logo, the lot trace code information, or the environmental category of the part.

Multiple part markings will be inside parentheses. Only one part marking contained in parentheses and separated by a "~" will appear on a part. If a line is indented then it is a continuation of the previous line and the two combined represent the entire part marking for that device.

Important Information and Disclaimer: The information provided on this page represents TI's knowledge and belief as of the date that it is provided. TI bases its knowledge and belief on information provided by third parties, and makes no representation or warranty as to the accuracy of such information. Efforts are underway to better integrate information from third parties. TI has taken and continues to take reasonable steps to provide representative and accurate information but may not have conducted destructive testing or chemical analysis on incoming materials and chemicals. TI and TI suppliers consider certain information to be proprietary, and thus CAS numbers and other limited information may not be available for release.

In no event shall TI's liability arising out of such information exceed the total purchase price of the TI part(s) at issue in this document sold by TI to Customer on an annual basis.

TAPE AND REEL INFORMATION

QUADRANT ASSIGNMENTS FOR PIN 1 ORIENTATION IN TAPE


*All dimensions are nominal

| Device | Package Type | Package Drawing | Pins | SPQ | Reel Diameter (mm) | Reel Width W1 (mm) | A0 (mm) | B0 (mm) | K0 (mm) | P1 (mm) | W (mm) | Pin1 Quadrant |
|----------------|--------------|-----------------|------|------|--------------------|--------------------|---------|---------|---------|---------|--------|---------------|
| PCA9544ADGVR | TVSOP | DGV | 20 | 2000 | 330.0 | 12.4 | 6.9 | 5.6 | 1.6 | 8.0 | 12.0 | Q1 |
| PCA9544ADWR | SOIC | DW | 20 | 2000 | 330.0 | 24.4 | 10.8 | 13.3 | 2.7 | 12.0 | 24.0 | Q1 |
| PCA9544APWR | TSSOP | PW | 20 | 2000 | 330.0 | 16.4 | 6.95 | 7.0 | 1.4 | 8.0 | 16.0 | Q1 |
| PCA9544ARGYR | VQFN | RGY | 20 | 3000 | 330.0 | 12.4 | 3.71 | 4.71 | 1.1 | 8.0 | 12.0 | Q1 |
| PCA9544ARGYRG4 | VQFN | RGY | 20 | 3000 | 330.0 | 12.4 | 3.71 | 4.71 | 1.1 | 8.0 | 12.0 | Q1 |

TAPE AND REEL BOX DIMENSIONS


*All dimensions are nominal

| Device | Package Type | Package Drawing | Pins | SPQ | Length (mm) | Width (mm) | Height (mm) |
|----------------|--------------|-----------------|------|------|-------------|------------|-------------|
| PCA9544ADGVR | TVSOP | DGV | 20 | 2000 | 353.0 | 353.0 | 32.0 |
| PCA9544ADWR | SOIC | DW | 20 | 2000 | 356.0 | 356.0 | 45.0 |
| PCA9544APWR | TSSOP | PW | 20 | 2000 | 353.0 | 353.0 | 32.0 |
| PCA9544ARGYR | VQFN | RGY | 20 | 3000 | 367.0 | 367.0 | 35.0 |
| PCA9544ARGYRG4 | VQFN | RGY | 20 | 3000 | 367.0 | 367.0 | 35.0 |

TUBE


*All dimensions are nominal

| Device | Package Name | Package Type | Pins | SPQ | L (mm) | W (mm) | T (μm) | B (mm) |
|--------------|--------------|--------------|------|-----|--------|--------|--------|--------|
| PCA9544ADW | DW | SOIC | 20 | 25 | 507 | 12.83 | 5080 | 6.6 |
| PCA9544ADW.A | DW | SOIC | 20 | 25 | 507 | 12.83 | 5080 | 6.6 |

GENERIC PACKAGE VIEW

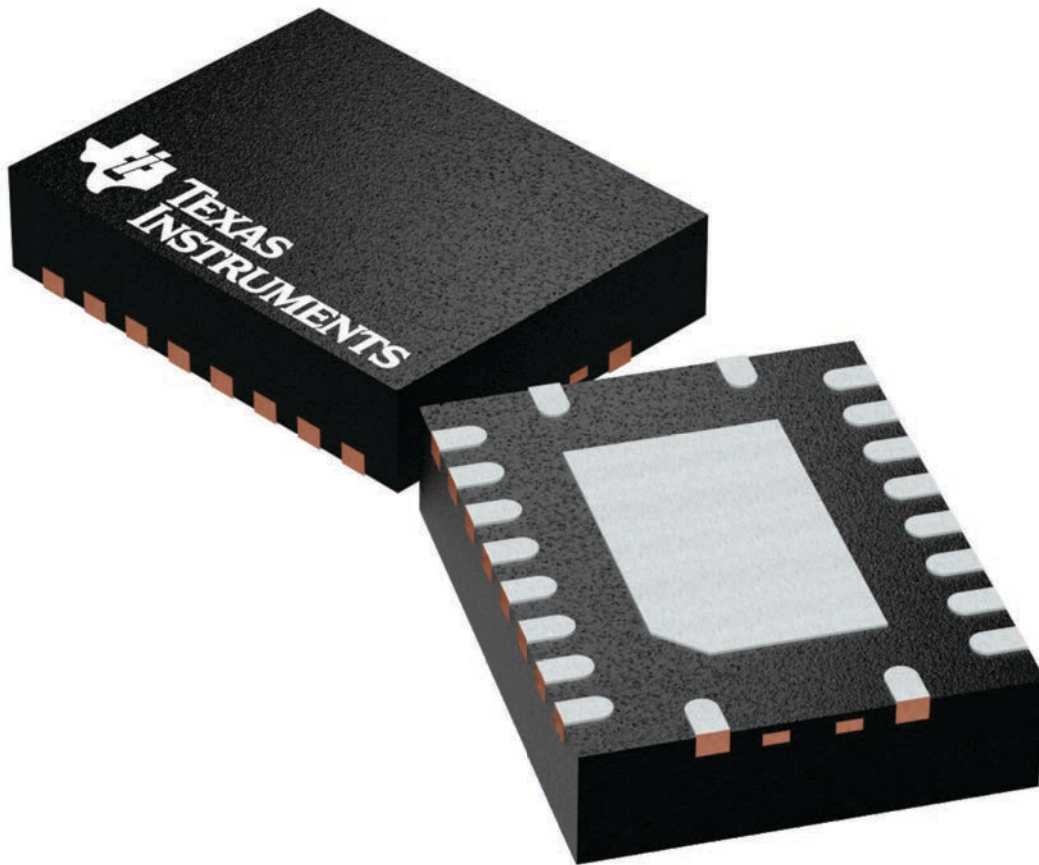
RGY 20

VQFN - 1 mm max height

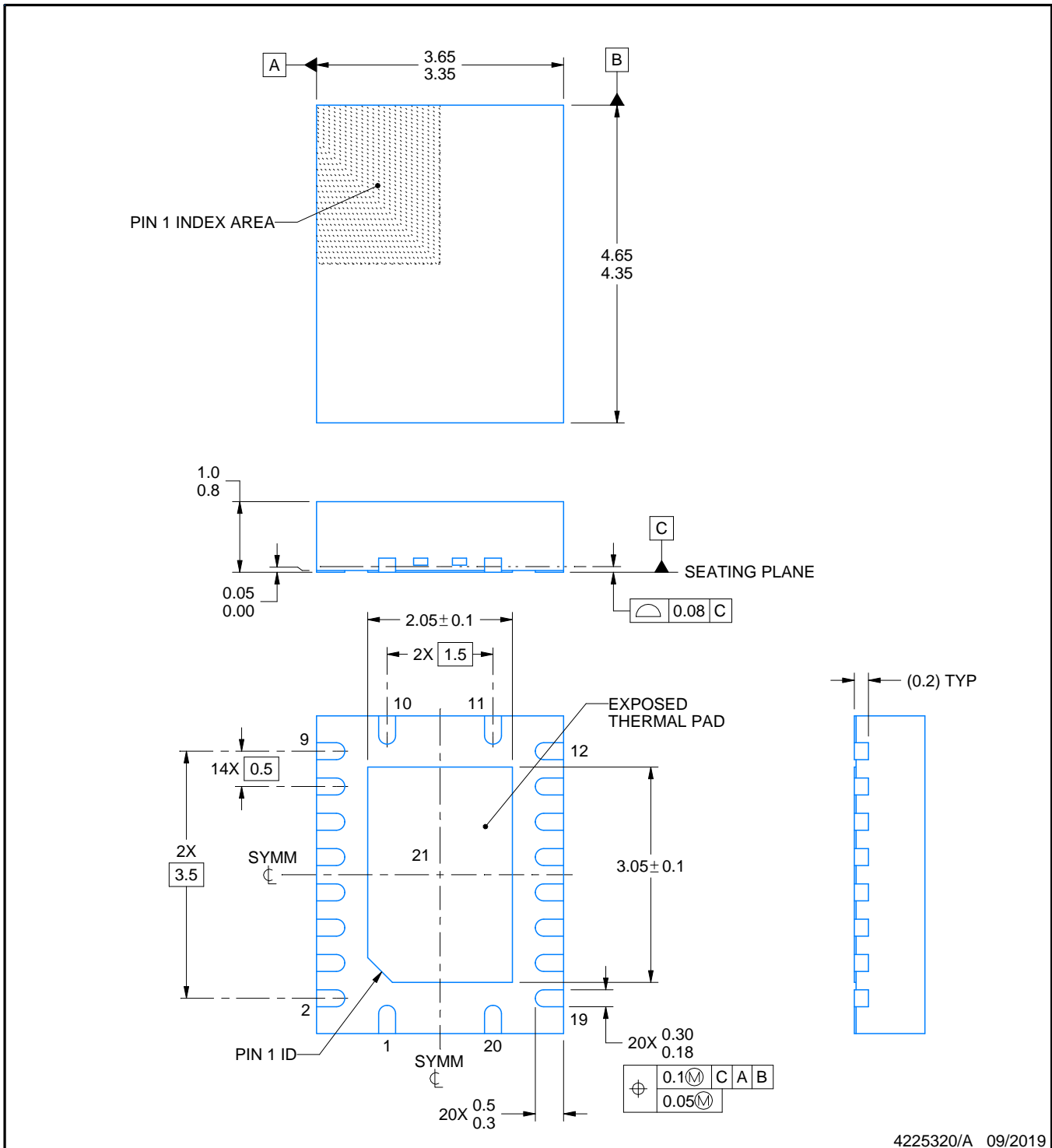
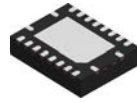
3.5 x 4.5, 0.5 mm pitch

PLASTIC QUAD FGLATPACK - NO LEAD

This image is a representation of the package family, actual package may vary.
Refer to the product data sheet for package details.



4225264/A



4225320/A 09/2019

NOTES:

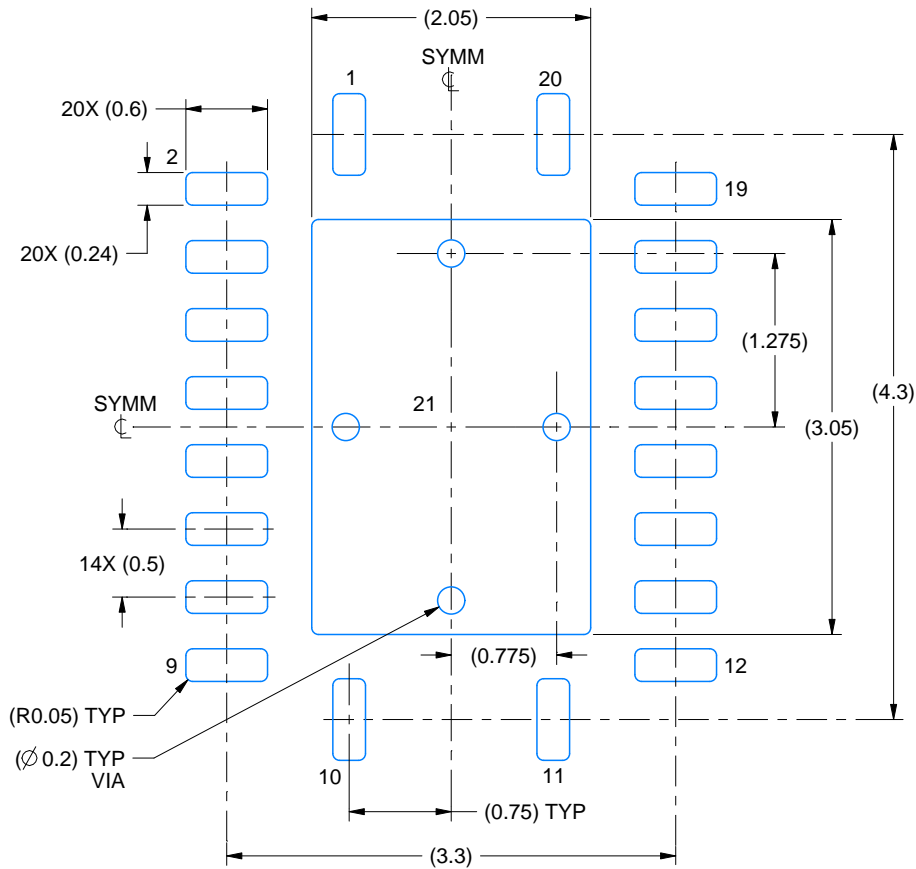
1. All linear dimensions are in millimeters. Any dimensions in parenthesis are for reference only. Dimensioning and tolerancing per ASME Y14.5M.
2. This drawing is subject to change without notice.
3. The package thermal pad must be soldered to the printed circuit board for thermal and mechanical performance.

EXAMPLE BOARD LAYOUT

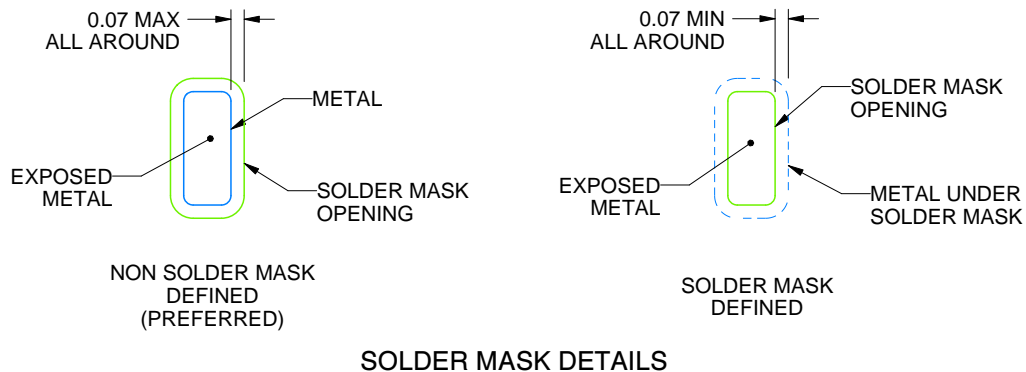
RGY0020A

VQFN - 1 mm max height

PLASTIC QUAD FLATPACK - NO LEAD



LAND PATTERN EXAMPLE
EXPOSED METAL SHOWN
SCALE:18X



SOLDER MASK DETAILS

4225320/A 09/2019

NOTES: (continued)

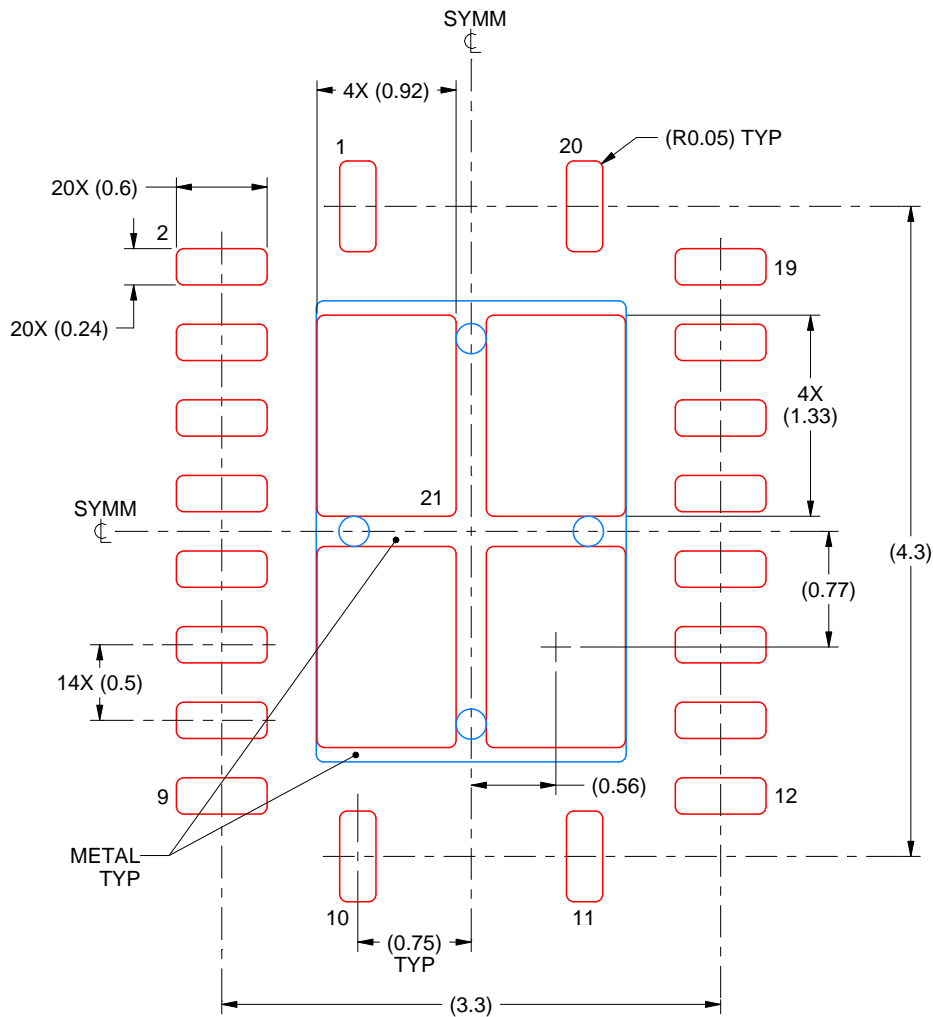
4. This package is designed to be soldered to a thermal pad on the board. For more information, see Texas Instruments literature number SLUA271 (www.ti.com/lit/slua271).
5. Vias are optional depending on application, refer to device data sheet. If any vias are implemented, refer to their locations shown on this view. It is recommended that vias under paste be filled, plugged or tented.

EXAMPLE STENCIL DESIGN

RGY0020A

VQFN - 1 mm max height

PLASTIC QUAD FLATPACK - NO LEAD



SOLDER PASTE EXAMPLE
 BASED ON 0.125 mm THICK STENCIL

EXPOSED PAD 21
 78% PRINTED SOLDER COVERAGE BY AREA UNDER PACKAGE
 SCALE:20X

4225320/A 09/2019

NOTES: (continued)

6. Laser cutting apertures with trapezoidal walls and rounded corners may offer better paste release. IPC-7525 may have alternate design recommendations.

DW0020A



PACKAGE OUTLINE

SOIC - 2.65 mm max height

SOIC



4220724/A 05/2016

NOTES:

1. All linear dimensions are in millimeters. Dimensions in parenthesis are for reference only. Dimensioning and tolerancing per ASME Y14.5M.
2. This drawing is subject to change without notice.
3. This dimension does not include mold flash, protrusions, or gate burrs. Mold flash, protrusions, or gate burrs shall not exceed 0.15 mm per side.
4. This dimension does not include interlead flash. Interlead flash shall not exceed 0.43 mm per side.
5. Reference JEDEC registration MS-013.

EXAMPLE BOARD LAYOUT

DW0020A

SOIC - 2.65 mm max height

SOIC



LAND PATTERN EXAMPLE
SCALE:6X



SOLDER MASK DETAILS

4220724/A 05/2016

NOTES: (continued)

- 6. Publication IPC-7351 may have alternate designs.
- 7. Solder mask tolerances between and around signal pads can vary based on board fabrication site.

EXAMPLE STENCIL DESIGN

DW0020A

SOIC - 2.65 mm max height

SOIC



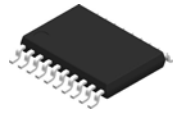
SOLDER PASTE EXAMPLE
BASED ON 0.125 mm THICK STENCIL
SCALE:6X

4220724/A 05/2016

NOTES: (continued)

8. Laser cutting apertures with trapezoidal walls and rounded corners may offer better paste release. IPC-7525 may have alternate design recommendations.
9. Board assembly site may have different recommendations for stencil design.

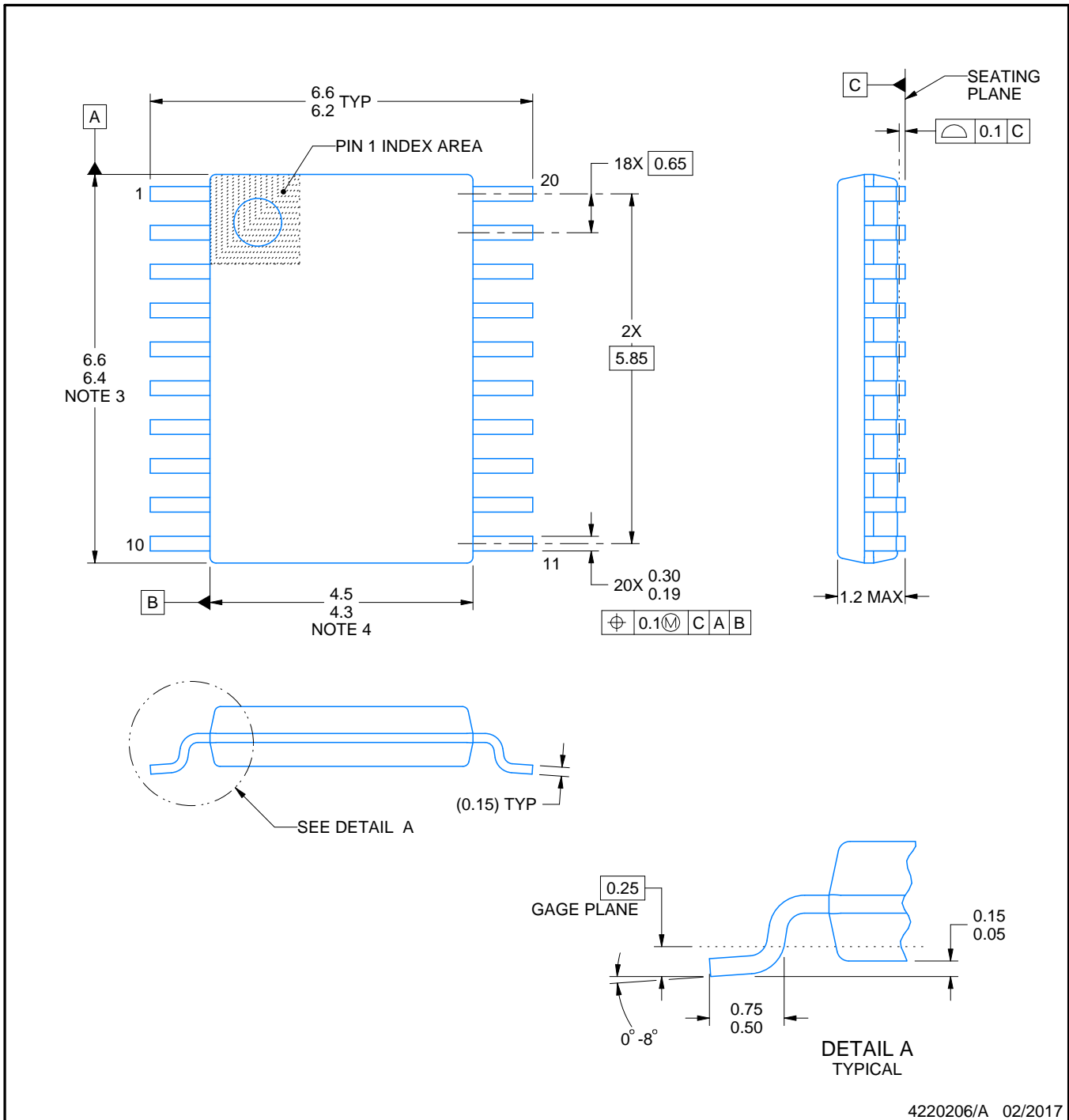
PW0020A



PACKAGE OUTLINE

TSSOP - 1.2 mm max height

SMALL OUTLINE PACKAGE



4220206/A 02/2017

NOTES:

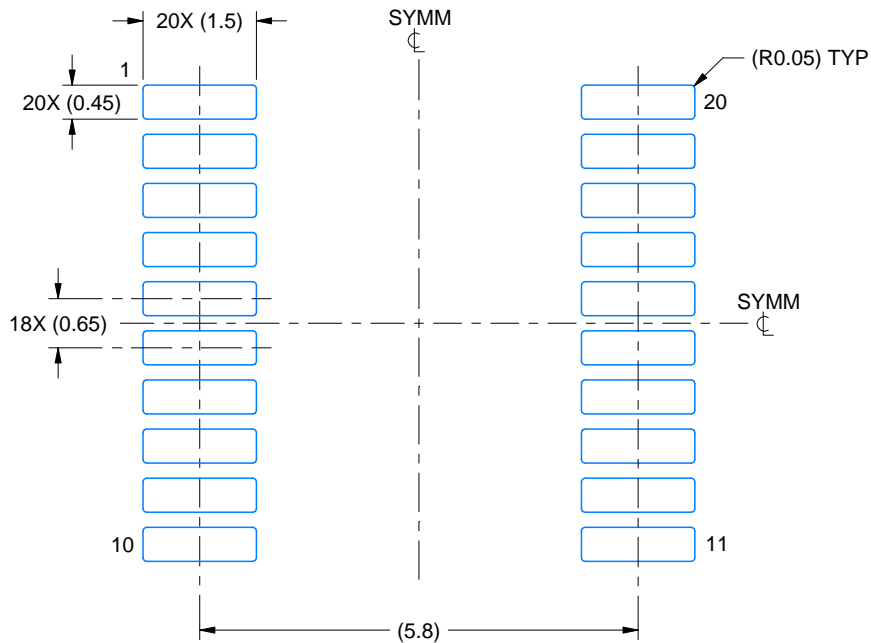
- All linear dimensions are in millimeters. Any dimensions in parenthesis are for reference only. Dimensioning and tolerancing per ASME Y14.5M.
- This drawing is subject to change without notice.
- This dimension does not include mold flash, protrusions, or gate burrs. Mold flash, protrusions, or gate burrs shall not exceed 0.15 mm per side.
- This dimension does not include interlead flash. Interlead flash shall not exceed 0.25 mm per side.
- Reference JEDEC registration MO-153.

EXAMPLE BOARD LAYOUT

PW0020A

TSSOP - 1.2 mm max height

SMALL OUTLINE PACKAGE



LAND PATTERN EXAMPLE
EXPOSED METAL SHOWN
SCALE: 10X



SOLDER MASK DETAILS

4220206/A 02/2017

NOTES: (continued)

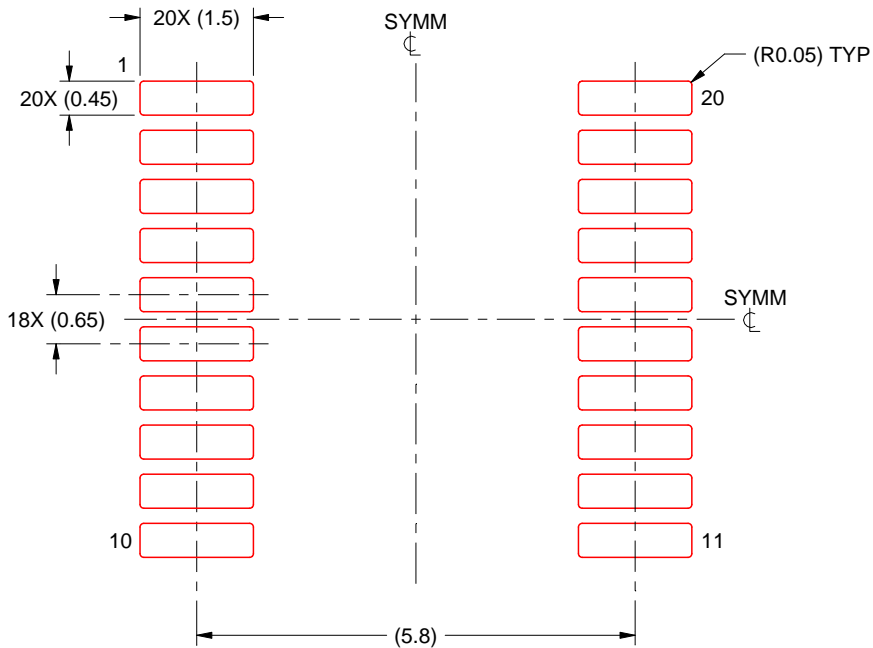
- 6. Publication IPC-7351 may have alternate designs.
- 7. Solder mask tolerances between and around signal pads can vary based on board fabrication site.

EXAMPLE STENCIL DESIGN

PW0020A

TSSOP - 1.2 mm max height

SMALL OUTLINE PACKAGE



SOLDER PASTE EXAMPLE
BASED ON 0.125 mm THICK STENCIL
SCALE: 10X

4220206/A 02/2017

NOTES: (continued)

8. Laser cutting apertures with trapezoidal walls and rounded corners may offer better paste release. IPC-7525 may have alternate design recommendations.
9. Board assembly site may have different recommendations for stencil design.

IMPORTANT NOTICE AND DISCLAIMER

TI PROVIDES TECHNICAL AND RELIABILITY DATA (INCLUDING DATASHEETS), DESIGN RESOURCES (INCLUDING REFERENCE DESIGNS), APPLICATION OR OTHER DESIGN ADVICE, WEB TOOLS, SAFETY INFORMATION, AND OTHER RESOURCES "AS IS" AND WITH ALL FAULTS, AND DISCLAIMS ALL WARRANTIES, EXPRESS AND IMPLIED, INCLUDING WITHOUT LIMITATION ANY IMPLIED WARRANTIES OF MERCHANTABILITY, FITNESS FOR A PARTICULAR PURPOSE OR NON-INFRINGEMENT OF THIRD PARTY INTELLECTUAL PROPERTY RIGHTS.

These resources are intended for skilled developers designing with TI products. You are solely responsible for (1) selecting the appropriate TI products for your application, (2) designing, validating and testing your application, and (3) ensuring your application meets applicable standards, and any other safety, security, regulatory or other requirements.

These resources are subject to change without notice. TI grants you permission to use these resources only for development of an application that uses the TI products described in the resource. Other reproduction and display of these resources is prohibited. No license is granted to any other TI intellectual property right or to any third party intellectual property right. TI disclaims responsibility for, and you fully indemnify TI and its representatives against any claims, damages, costs, losses, and liabilities arising out of your use of these resources.

TI's products are provided subject to [TI's Terms of Sale](#), [TI's General Quality Guidelines](#), or other applicable terms available either on [ti.com](#) or provided in conjunction with such TI products. TI's provision of these resources does not expand or otherwise alter TI's applicable warranties or warranty disclaimers for TI products. Unless TI explicitly designates a product as custom or customer-specified, TI products are standard, catalog, general purpose devices.

TI objects to and rejects any additional or different terms you may propose.

Copyright © 2026, Texas Instruments Incorporated

Last updated 10/2025