

SN74AVCH8T245 8-Bit Dual-Supply Bus Transceiver

With Configurable Level-Shifting, Voltage Translation, and 3-State Outputs

1 Features

- Control inputs (DIR and \overline{OE}) V_{IH} and V_{IL} levels are referenced to V_{CCA} voltage
- Bus hold on data inputs eliminates the need for external pullup or pulldown resistors
- V_{CC} isolation feature
- Fully configurable dual-rail design
- I/Os are 4.6-V tolerant
- I_{off} supports partial-power-down mode operation
- Maximum data rates:
 - 320Mbps ($V_{CCA} \geq 1.8V$ and $V_{CCB} \geq 1.8V$)
 - 170Mbps ($V_{CCA} \leq 1.8V$ or $V_{CCB} \leq 1.8V$)
- Latch-up performance exceeds 100mA per JESD 78, class II
- ESD protection exceeds JESD 22:
 - 8000-V Human-Body Model (A114-A)
 - 200-V Machine Model (A115-A)
 - 1000-V Charged-Device Model (C101)

2 Applications

- [Personal electronics](#)
- [Industrial](#)
- [Enterprise](#)
- [Telecommunications](#)

3 Description

The SN74AVCH8T245 is an 8-bit noninverting bus transceiver that uses two separate configurable power-supply rails. The A port is designed to track V_{CCA} , which accepts any supply voltage from 1.2V to 3.6V. The B port is designed to track V_{CCB} , which also accepts any supply voltage from 1.2V to 3.6V. This allows for universal low-voltage bidirectional translation between any of the 1.2-V, 1.5-V, 1.8-V, 2.5-V, and 3.3-V voltage nodes.

The SN74AVCH8T245 is designed for asynchronous communication between data buses. The device transmits data from either the A bus to the B bus, or from the B bus to the A bus, depending on the logic level at the direction-control (DIR) input. The output-enable (\overline{OE}) input can be used to disable the outputs so the buses are effectively isolated.

The design of SN74AVCH8T245 references the control pins (DIR and \overline{OE}) to V_{CCA} .

Active bus-hold circuitry holds unused or undriven inputs at a valid logic state. It is not recommended to use pullup or pulldown resistors with the bus-hold circuitry.

This device is fully specified for partial-power-down applications using I_{off} . The I_{off} circuitry disables the outputs, preventing damaging current backflow through the device.

The V_{CC} isolation feature allows the outputs to be in the high-impedance state when either V_{CCA} or V_{CCB} is at GND. The bus-hold circuitry on the powered-up side always stays active.

The SN74AVCH8T245 solution is compatible with a single-supply system and can be replaced later with a '245 function, with minimal printed circuit board redesign.

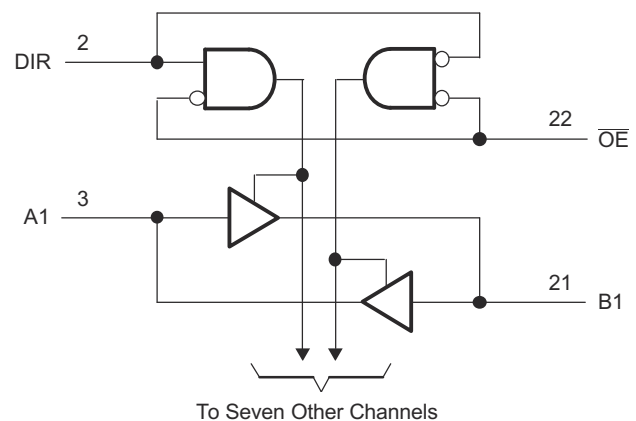
To put the device in the high-impedance state during power up or power down, \overline{OE} must be tied to V_{CCA} through a pullup resistor; the current-sinking capability of the driver determines the minimum value of the resistor.

Package Information

PART NUMBER	PACKAGE ⁽¹⁾	PACKAGE SIZE ⁽²⁾
SN74AVCH8T245	DGV (TVSOP, 24)	5 mm × 6.4 mm
	PW (TSSOP, 24)	7.8 mm × 6.4 mm
	RHL (VQFN, 24)	5.5 mm × 3.5 mm

(1) For more information, see [Section 11](#).

(2) The package size (length × width) is a nominal value and includes pins, where applicable.



Logic Diagram (Positive Logic)



Table of Contents

1 Features	1	7.1 Overview.....	17
2 Applications	1	7.2 Functional Block Diagram.....	17
3 Description	1	7.3 Feature Description.....	17
4 Pin Configuration and Functions	3	7.4 Device Functional Modes.....	18
5 Specifications	4	8 Application and Implementation	19
5.1 Absolute Maximum Ratings.....	4	8.1 Application Information.....	19
5.2 ESD Ratings.....	4	8.2 Typical Application.....	19
5.3 Recommended Operating Conditions.....	5	8.3 Power Supply Recommendations.....	20
5.4 Thermal Information.....	6	8.4 Layout.....	21
5.5 Electrical Characteristics.....	6	9 Device and Documentation Support	22
5.6 Switching Characteristics, $V_{CCA} = 1.2V$	8	9.1 Documentation Support.....	22
5.7 Switching Characteristics, $V_{CCA} = 1.5V \pm 0.1V$	9	9.2 Receiving Notification of Documentation Updates.....	22
5.8 Switching Characteristics, $V_{CCA} = 1.8V \pm 0.15V$	10	9.3 Support Resources.....	22
5.9 Switching Characteristics, $V_{CCA} = 2.5V \pm 0.2V$	11	9.4 Trademarks.....	22
5.10 Switching Characteristics, $V_{CCA} = 3.3V \pm 0.3V$	12	9.5 Electrostatic Discharge Caution.....	22
5.11 Operating Characteristics.....	13	9.6 Glossary.....	22
5.12 Typical Characteristics.....	14	10 Revision History	22
6 Parameter Measurement Information	16	11 Mechanical, Packaging, and Orderable Information	23
7 Detailed Description	17		

4 Pin Configuration and Functions

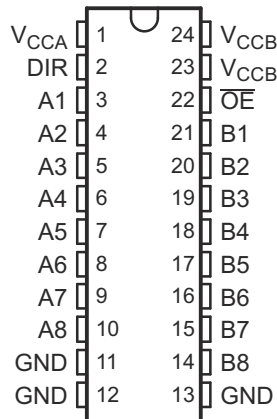


Figure 4-1. DGV or PW Package, 24-Pin TVSOP or TSSOP (Top View)

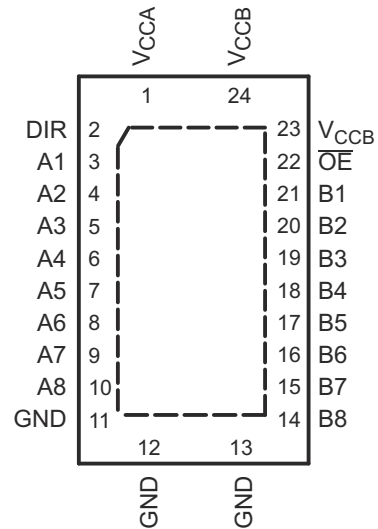


Figure 4-2. RHL Package, 24-Pin VQFN (Top View)

Table 4-1. Pin Functions

PIN		I/O	DESCRIPTION
NAME	NO.		
A1	3	I/O	Input/output A1. Referenced to V_{CCA} .
A2	4	I/O	Input/output A2. Referenced to V_{CCA} .
A3	5	I/O	Input/output A3. Referenced to V_{CCA} .
A4	6	I/O	Input/output A4. Referenced to V_{CCA} .
A5	7	I/O	Input/output A5. Referenced to V_{CCA} .
A6	8	I/O	Input/output A6. Referenced to V_{CCA} .
A7	9	I/O	Input/output A7. Referenced to V_{CCA} .
A8	10	I/O	Input/output A8. Referenced to V_{CCA} .
B1	21	I/O	Input/output B1. Referenced to V_{CCB} .
B2	20	I/O	Input/output B2. Referenced to V_{CCB} .
B3	19	I/O	Input/output B3. Referenced to V_{CCB} .
B4	18	I/O	Input/output B4. Referenced to V_{CCB} .
B5	17	I/O	Input/output B5. Referenced to V_{CCB} .
B6	16	I/O	Input/output B6. Referenced to V_{CCB} .
B7	15	I/O	Input/output B7. Referenced to V_{CCB} .
B8	14	I/O	Input/output B8. Referenced to V_{CCB} .
DIR	2	I	Direction-control signal. Referenced to V_{CCA} .
GND	11, 12, 13	—	Ground
\overline{OE}	22	I	3-state output-mode enables. Pull \overline{OE} high to place all outputs in 3-state mode. Referenced to V_{CCA} .
V_{CCA}	1	—	A-port supply voltage. $1.2V \leq V_{CCA} \leq 3.6V$
V_{CCB}	23, 24	—	B-port supply voltage. $1.2V \leq V_{CCB} \leq 3.6V$

5 Specifications

5.1 Absolute Maximum Ratings

over operating free-air temperature range (unless otherwise noted)⁽¹⁾

			MIN	MAX	UNIT
V_{CCA}	Supply voltage		-0.5	4.6	V
V_{CCB}					
V_I	Input voltage ⁽²⁾	I/O ports (A port)	-0.5	4.6	V
		I/O ports (B port)	-0.5	4.6	
		Control inputs	-0.5	4.6	
V_O	Voltage applied to any output in the high-impedance or power-off state ⁽²⁾	A port	-0.5	4.6	V
		B port	-0.5	4.6	
V_O	Voltage applied to any output in the high or low state ^{(2) (3)}	A port	-0.5	$V_{CCA} + 0.5$	V
		B port	-0.5	$V_{CCB} + 0.5$	
I_{IK}	Input clamp current	$V_I < 0$		-50	mA
I_{OK}	Output clamp current	$V_O < 0$		-50	mA
I_O	Continuous output current			±50	mA
	Continuous current through V_{CCA} , V_{CCB} , or GND			±100	mA
T_J	Junction temperature		-40	150	°C
T_{stg}	Storage temperature		-65	150	°C

- (1) Stresses beyond those listed under *Absolute Maximum Ratings* may cause permanent damage to the device. These are stress ratings only, which do not imply functional operation of the device at these or any other conditions beyond those indicated under *Recommended Operating Conditions*. Exposure to absolute-maximum-rated conditions for extended periods may affect device reliability.
- (2) The input voltage and output negative-voltage ratings may be exceeded if the input and output current ratings are observed.
- (3) The output positive-voltage rating may be exceeded up to 4.6V maximum if the output current rating is observed.
- (4) The package thermal impedance is calculated in accordance with JESD 51-7.

5.2 ESD Ratings

			VALUE	UNIT
$V_{(ESD)}$	Electrostatic discharge	Human-body model (HBM), per ANSI/ESDA/JEDEC JS-001 ⁽¹⁾	±8000	V
		Charged-device model (CDM), per JEDEC specification JESD22-C101 ⁽²⁾	±1000	
		Machine model (MM)	±200	

- (1) JEDEC document JEP155 states that 500-V HBM allows safe manufacturing with a standard ESD control process.
- (2) JEDEC document JEP157 states that 250-V CDM allows safe manufacturing with a standard ESD control process.

5.3 Recommended Operating Conditions

See (1) (2)

				MIN	MAX	UNIT
V _{CCA}	Supply voltage			1.2	3.6	V
V _{CCB}	Supply voltage			1.2	3.6	V
V _{IH}	High-level input voltage ⁽¹⁾	Data inputs	V _{CCI} = 1.2V to 1.95V	V _{CCI} × 0.65		V
			V _{CCI} = 1.95V to 2.7V	1.6		
			V _{CCI} = 2.7V to 3.6V	2		
V _{IL}	Low-level input voltage ⁽¹⁾	Data inputs	V _{CCI} = 1.2V to 1.95V	V _{CCI} × 0.35		V
			V _{CCI} = 1.95V to 2.7V	0.7		
			V _{CCI} = 2.7V to 3.6V	0.8		
V _{IH}	High-level input voltage	DIR and \overline{OE} (referenced to V _{CCA})	V _{CCI} = 1.2V to 1.95V	V _{CCA} × 0.65		V
			V _{CCI} = 1.95V to 2.7V	1.6		
			V _{CCI} = 2.7V to 3.6V	2		
V _{IL}	Low-level input voltage	DIR and \overline{OE} (referenced to V _{CCA})	V _{CCI} = 1.2V to 1.95V	V _{CCA} × 0.35		V
			V _{CCI} = 1.95V to 2.7V	0.7		
			V _{CCI} = 2.7V to 3.6V	0.8		
V _I	Input voltage	Control Inputs		0	3.6	V
V _O	Output voltage ⁽²⁾	Active state		0	V _{CCO}	V
		3-state		0	3.6	
I _{OH}	High-level output current		V _{CCO} = 1.2V	-3		mA
			V _{CCO} = 1.4V to 1.6V	-6		
			V _{CCO} = 1.65V to 1.95V	-8		
			V _{CCO} = 2.3V to 2.7V	-9		
			V _{CCO} = 3V to 3.6V	-12		
I _{OL}	Low-level output current		V _{CCO} = 1.2V	3		mA
			V _{CCO} = 1.4V to 1.6V	6		
			V _{CCO} = 1.65V to 1.95V	8		
			V _{CCO} = 2.3V to 2.7V	9		
			V _{CCO} = 3V to 3.6V	12		
$\Delta t/\Delta v$	Input transition rise or fall rate				5	ns/V
T _A	Operating free-air temperature			-40	85	°C

(1) V_{CCI} is the V_{CC} associated with the input port.

(2) V_{CCO} is the V_{CC} associated with the output port.

5.4 Thermal Information

THERMAL METRIC ⁽¹⁾		SN74AVCH8T245			UNIT
		DGV (TVSOP)	PW (TSSOP)	RHL (VQFN)	
		24 PINS	24 PINS	24 PINS	
R _{θJA}	Junction-to-ambient thermal resistance ⁽⁴⁾	116.7	93.1	36.8	°C/W
R _{θJC(top)}	Junction-to-case (top) thermal resistance	48.5	36.7	32.5	°C/W
R _{θJB}	Junction-to-board thermal resistance	62.1	48.4	15.7	°C/W
ψ _{JT}	Junction-to-top characterization parameter	7.0	93.1	0.7	°C/W
ψ _{JB}	Junction-to-board characterization parameter	61.6	48.0	15.6	°C/W
R _{θJC(bot)}	Junction-to-case (bottom) thermal resistance	N/A	N/A	5.6	°C/W

(1) For more information about traditional and new thermal metrics, see the *Semiconductor and IC Package Thermal Metrics* application report, [SPRA953](#).

5.5 Electrical Characteristics

All typical limits apply over T_A = 25°C, and all maximum and minimum limits apply over T_A = –40°C to 85°C (unless otherwise noted)

PARAMETER		TEST CONDITIONS		MIN	TYP	MAX	UNIT
V _{OH}	High-level output voltage ⁽¹⁾	I _{OH} = –100μA, V _I = V _{IH}	V _{CCA} = V _{CCB} = 1.2V to 3.6V	V _{CCO} – 0.2		V	
		I _{OH} = –3mA, V _I = V _{IH}	V _{CCA} = V _{CCB} = 1.2V	0.95			
		I _{OH} = –6mA, V _I = V _{IH}	V _{CCA} = V _{CCB} = 1.4V	1.05			
		I _{OH} = –8mA, V _I = V _{IH}	V _{CCA} = V _{CCB} = 1.65V	1.2			
		I _{OH} = –9mA, V _I = V _{IH}	V _{CCA} = V _{CCB} = 2.3V	1.75			
		I _{OH} = –12mA, V _I = V _{IH}	V _{CCA} = V _{CCB} = 3V	2.3			
V _{OL}	Low-level output voltage	I _{OL} = 100μA, V _I = V _{IL}	V _{CCA} = V _{CCB} = 1.2V to 3.6V	0.2		V	
		I _{OL} = 3mA, V _I = V _{IL}	V _{CCA} = V _{CCB} = 1.2V	0.15			
		I _{OL} = 6mA, V _I = V _{IL}	V _{CCA} = V _{CCB} = 1.4V	0.35			
		I _{OL} = 8mA, V _I = V _{IL}	V _{CCA} = V _{CCB} = 1.65V	0.45			
		I _{OL} = 9mA, V _I = V _{IL}	V _{CCA} = V _{CCB} = 2.3V	0.55			
		I _{OL} = 12mA, V _I = V _{IL}	V _{CCA} = V _{CCB} = 3V	0.7			
I _I	Control inputs	V _I = V _{CCA} or GND	V _{CCA} = V _{CCB} = 1.2V to 3.6V	±0.025	±1	μA	
I _{BHL}	Bus-hold low sustaining current ⁽⁵⁾	V _I = 0.42V	V _{CCA} = V _{CCB} = 1.2V	25		μA	
		V _I = 0.49V	V _{CCA} = V _{CCB} = 1.4V	15			
		V _I = 0.58V	V _{CCA} = V _{CCB} = 1.65V	25			
		V _I = 0.7V	V _{CCA} = V _{CCB} = 2.3V	45			
		V _I = 0.8V	V _{CCA} = V _{CCB} = 3.3V	100			
I _{BHH}	Bus-hold high sustaining current ⁽⁶⁾	V _I = 0.78V	V _{CCA} = V _{CCB} = 1.2V	–25		μA	
		V _I = 0.91V	V _{CCA} = V _{CCB} = 1.4V	–15			
		V _I = 1.07V	V _{CCA} = V _{CCB} = 1.65V	–25			
		V _I = 1.6V	V _{CCA} = V _{CCB} = 2.3V	–45			
		V _I = 2V	V _{CCA} = V _{CCB} = 3.3V	–100			
I _{BHLO}	Bus-hold low overdrive current ⁽³⁾	V _I = 0 to V _{CC}	V _{CCA} = V _{CCB} = 1.2V	50		μA	
			V _{CCA} = V _{CCB} = 1.6V	125			
			V _{CCA} = V _{CCB} = 1.95V	200			
			V _{CCA} = V _{CCB} = 2.7V	300			
			V _{CCA} = V _{CCB} = 3.6V	500			

5.5 Electrical Characteristics (continued)

All typical limits apply over $T_A = 25^\circ\text{C}$, and all maximum and minimum limits apply over $T_A = -40^\circ\text{C}$ to 85°C (unless otherwise noted)

PARAMETER	TEST CONDITIONS		MIN	TYP	MAX	UNIT
I_{BHHO} Bus-hold high overdrive current ⁽⁴⁾	$V_I = 0$ to V_{CC}	$V_{CCA} = V_{CCB} = 1.2\text{V}$		-50		μA
		$V_{CCA} = V_{CCB} = 1.6\text{V}$		-125		
		$V_{CCA} = V_{CCB} = 1.95\text{V}$		-200		
		$V_{CCA} = V_{CCB} = 2.7\text{V}$		-300		
		$V_{CCA} = V_{CCB} = 3.6\text{V}$		-500		
I_{off} Input/output power-off leakage current	$V_I = 0\text{V}$ to 3.6V , $V_O = 0\text{V}$ to 3.6V	$V_{CCA} = 0\text{V}$, $V_{CCB} = 0\text{V}$ to 3.6V	A Port	± 0.1	± 5	μA
		$V_{CCA} = 0\text{V}$ to 3.6V , $V_{CCB} = 0\text{V}$	B Port	± 0.1	± 5	
I_{OZ} Off-state output current ^{(1) (2) (7)}	$V_O = V_{CCO}$ or GND, $V_I = V_{CCI}$ or GND, $\overline{OE} = V_{IH}$	$V_{CCA} = V_{CCB} = 3.6\text{V}$	A Port, B Port	± 0.5	± 5	μA
	$V_O = V_{CCO}$ or GND, $V_I = V_{CCI}$ or GND, $\overline{OE} = \text{Don't Care}$	$V_{CCA} = 0\text{V}$, $V_{CCB} = 3.6\text{V}$	B Port		± 5	
		$V_{CCA} = 3.6\text{V}$, $V_{CCB} = 0\text{V}$	A Port			
I_{CCA} Supply current A port ⁽²⁾	$V_I = V_{CCI}$ or GND, $I_O = 0$	$V_{CCA} = V_{CCB} = 1.2\text{V}$ to 3.6V			8	μA
		$V_{CCA} = 0\text{V}$, $V_{CCB} = 3.6\text{V}$			-2	
		$V_{CCA} = 3.6\text{V}$, $V_{CCB} = 0\text{V}$			8	
I_{CCB} Supply current B port ⁽²⁾	$V_I = V_{CCI}$ or GND, $I_O = 0$	$V_{CCA} = V_{CCB} = 1.2\text{V}$ to 3.6V			8	μA
		$V_{CCA} = 0\text{V}$, $V_{CCB} = 3.6\text{V}$			8	
		$V_{CCA} = 3.6\text{V}$, $V_{CCB} = 0\text{V}$			-2	
$I_{CCA} + I_{CCB}$ Combined supply current ⁽²⁾	$V_I = V_{CCI}$ or GND, $I_O = 0$	$V_{CCA} = V_{CCB} = 1.2\text{V}$ to 3.6V			16	μA
C_i Input capacitance control pins	$V_I = 3.3\text{V}$ or GND	$V_{CCA} = V_{CCB} = 3.3\text{V}$		3.5	4.5	pF
C_{io} Input/output capacitance a or b port	$V_O = 3.3\text{V}$ or GND	$V_{CCA} = V_{CCB} = 3.3\text{V}$		6	7	pF

(1) V_{CCO} is the V_{CC} associated with the output port.

(2) V_{CCI} is the V_{CC} associated with the input port.

(3) An external driver must source at least I_{BHLO} to switch this node from low to high.

(4) An external driver must sink at least I_{BHHO} to switch this node from high to low.

(5) The bus-hold circuit can sink at least the minimum low sustaining current at V_{IL} max. I_{BHL} should be measured after lowering V_{IN} to GND and then raising it to V_{IL} max.

(6) The bus-hold circuit can source at least the minimum high sustaining current at V_{IH} min. I_{BHH} should be measured after raising V_{IN} to V_{CC} and then lowering it to V_{IH} min.

(7) For I/O ports, the parameter I_{OZ} includes the input leakage current.

5.6 Switching Characteristics, $V_{CCA} = 1.2V$

$T_A = 25^\circ C$ (see Figure 6-1)

PARAMETER	FROM (INPUT)	TO (OUTPUT)	TEST CONDITIONS	MIN	TYP	MAX	UNIT
t_{PLH} , t_{PHL}	A	B	$V_{CCB} = 1.2V$		3.1		ns
			$V_{CCB} = 1.5V$		2.6		
			$V_{CCB} = 1.8V$		2.5		
			$V_{CCB} = 2.5V$		3		
			$V_{CCB} = 3.3V$		3.5		
t_{PLH} , t_{PHL}	B	A	$V_{CCB} = 1.2V$		3.1		ns
			$V_{CCB} = 1.5V$		2.7		
			$V_{CCB} = 1.8V$		2.5		
			$V_{CCB} = 2.5V$		2.4		
			$V_{CCB} = 3.3V$		2.3		
t_{PZH} , t_{PZL}	\overline{OE}	A	$V_{CCB} = 1.2V$		5.3		ns
			$V_{CCB} = 1.5V$		5.3		
			$V_{CCB} = 1.8V$		5.3		
			$V_{CCB} = 2.5V$		5.3		
			$V_{CCB} = 3.3V$		5.3		
t_{PZH} , t_{PZL}	\overline{OE}	B	$V_{CCB} = 1.2V$		5.1		ns
			$V_{CCB} = 1.5V$		4		
			$V_{CCB} = 1.8V$		3.5		
			$V_{CCB} = 2.5V$		3.2		
			$V_{CCB} = 3.3V$		3.1		
t_{PHZ} , t_{PLZ}	\overline{OE}	A	$V_{CCB} = 1.2V$		4.8		ns
			$V_{CCB} = 1.5V$		4.8		
			$V_{CCB} = 1.8V$		4.8		
			$V_{CCB} = 2.5V$		4.8		
			$V_{CCB} = 3.3V$		4.8		
t_{PHZ} , t_{PLZ}	\overline{OE}	B	$V_{CCB} = 1.2V$		4.7		ns
			$V_{CCB} = 1.5V$		4		
			$V_{CCB} = 1.8V$		4.1		
			$V_{CCB} = 2.5V$		4.3		
			$V_{CCB} = 3.3V$		5.1		

5.7 Switching Characteristics, $V_{CCA} = 1.5V \pm 0.1V$

All typical limits apply over $T_A = 25^\circ C$, and all maximum and minimum limits apply over $T_A = -40^\circ C$ to $85^\circ C$ (unless otherwise noted) (see [Figure 6-1](#))

PARAMETER	FROM (INPUT)	TO (OUTPUT)	TEST CONDITIONS	MIN	TYP	MAX	UNIT
t_{PLH} , t_{PHL}	A	B	$V_{CCB} = 1.2V$	2.7		ns	
			$V_{CCB} = 1.5V$	0.5	5.4		
			$V_{CCB} = 1.8V$	0.5	4.6		
			$V_{CCB} = 2.5V$	0.5	4.9		
			$V_{CCB} = 3.3V$	0.5	6.8		
t_{PLH} , t_{PHL}	B	A	$V_{CCB} = 1.2V$	2.6		ns	
			$V_{CCB} = 1.5V$	0.5	5.4		
			$V_{CCB} = 1.8V$	0.5	5.1		
			$V_{CCB} = 2.5V$	0.5	4.7		
			$V_{CCB} = 3.3V$	0.5	4.5		
t_{PZH} , t_{PZL}	\overline{OE}	A	$V_{CCB} = 1.2V$	3.7		ns	
			$V_{CCB} = 1.5V$	1.1	8.7		
			$V_{CCB} = 1.8V$	1.1	8.7		
			$V_{CCB} = 2.5V$	1.1	8.7		
			$V_{CCB} = 3.3V$	1.1	8.7		
t_{PZH} , t_{PZL}	\overline{OE}	B	$V_{CCB} = 1.2V$	4.8		ns	
			$V_{CCB} = 1.5V$	1.1	7.6		
			$V_{CCB} = 1.8V$	1.1	7.1		
			$V_{CCB} = 2.5V$	1.1	5.6		
			$V_{CCB} = 3.3V$	1.1	5.2		
t_{PHZ} , t_{PLZ}	\overline{OE}	A	$V_{CCB} = 1.2V$	3.1		ns	
			$V_{CCB} = 1.5V$	0.5	8.6		
			$V_{CCB} = 1.8V$	0.5	8.6		
			$V_{CCB} = 2.5V$	0.5	8.6		
			$V_{CCB} = 3.3V$	0.5	8.6		
t_{PHZ} , t_{PLZ}	\overline{OE}	B	$V_{CCB} = 1.2V$	4.1		ns	
			$V_{CCB} = 1.5V$	0.5	8.4		
			$V_{CCB} = 1.8V$	0.5	7.6		
			$V_{CCB} = 2.5V$	0.5	7.2		
			$V_{CCB} = 3.3V$	0.5	7.8		

5.8 Switching Characteristics, $V_{CCA} = 1.8V \pm 0.15V$

All typical limits apply over $T_A = 25^\circ C$, and all maximum and minimum limits apply over $T_A = -40^\circ C$ to $85^\circ C$ (unless otherwise noted) (see [Figure 6-1](#))

PARAMETER	FROM (INPUT)	TO (OUTPUT)	TEST CONDITIONS	MIN	TYP	MAX	UNIT
t_{PLH} , t_{PHL}	A	B	$V_{CCB} = 1.2V$		2.5		ns
			$V_{CCB} = 1.5V$	0.5		5.1	
			$V_{CCB} = 1.8V$	0.5		4.4	
			$V_{CCB} = 2.5V$	0.5		4	
			$V_{CCB} = 3.3V$	0.5		3.9	
t_{PLH} , t_{PHL}	B	A	$V_{CCB} = 1.2V$		2.5		ns
			$V_{CCB} = 1.5V$	0.5		4.6	
			$V_{CCB} = 1.8V$	0.5		4.4	
			$V_{CCB} = 2.5V$	0.5		3.9	
			$V_{CCB} = 3.3V$	0.5		3.7	
t_{PZH} , t_{PZL}	\overline{OE}	A	$V_{CCB} = 1.2V$		3		ns
			$V_{CCB} = 1.5V$	1		6.8	
			$V_{CCB} = 1.8V$	1		6.8	
			$V_{CCB} = 2.5V$	1		6.8	
			$V_{CCB} = 3.3V$	1		6.8	
t_{PZH} , t_{PZL}	\overline{OE}	B	$V_{CCB} = 1.2V$		4.6		ns
			$V_{CCB} = 1.5V$	1.1		8.2	
			$V_{CCB} = 1.8V$	1		6.7	
			$V_{CCB} = 2.5V$	0.5		5.1	
			$V_{CCB} = 3.3V$	0.5		4.5	
t_{PHZ} , t_{PLZ}	\overline{OE}	A	$V_{CCB} = 1.2V$		2.8		ns
			$V_{CCB} = 1.5V$	0.5		7.1	
			$V_{CCB} = 1.8V$	0.5		7.1	
			$V_{CCB} = 2.5V$	0.5		7.1	
			$V_{CCB} = 3.3V$	0.5		7.1	
t_{PHZ} , t_{PLZ}	\overline{OE}	B	$V_{CCB} = 1.2V$		3.9		ns
			$V_{CCB} = 1.5V$	0.5		7.8	
			$V_{CCB} = 1.8V$	0.5		6.9	
			$V_{CCB} = 2.5V$	0.5		6	
			$V_{CCB} = 3.3V$	0.5		5.8	

5.9 Switching Characteristics, $V_{CCA} = 2.5V \pm 0.2V$

All typical limits apply over $T_A = 25^\circ C$, and all maximum and minimum limits apply over $T_A = -40^\circ C$ to $85^\circ C$ (unless otherwise noted) (see [Figure 6-1](#))

PARAMETER	FROM (INPUT)	TO (OUTPUT)	TEST CONDITIONS	MIN	TYP	MAX	UNIT
t_{PLH} , t_{PHL}	A	B	$V_{CCB} = 1.2V$		2.4		ns
			$V_{CCB} = 1.5V$	0.5		4.7	
			$V_{CCB} = 1.8V$	0.5		3.9	
			$V_{CCB} = 2.5V$	0.5		3.1	
			$V_{CCB} = 3.3V$	0.5		2.8	
t_{PLH} , t_{PHL}	B	A	$V_{CCB} = 1.2V$		3		ns
			$V_{CCB} = 1.5V$	0.5		4.9	
			$V_{CCB} = 1.8V$	0.5		4	
			$V_{CCB} = 2.5V$	0.5		3.1	
			$V_{CCB} = 3.3V$	0.5		2.9	
t_{PZH} , t_{PZL}	\overline{OE}	A	$V_{CCB} = 1.2V$		2.2		ns
			$V_{CCB} = 1.5V$	0.5		4.8	
			$V_{CCB} = 1.8V$	0.5		4.8	
			$V_{CCB} = 2.5V$	0.5		4.8	
			$V_{CCB} = 3.3V$	0.5		4.8	
t_{PZH} , t_{PZL}	\overline{OE}	B	$V_{CCB} = 1.2V$		4.5		ns
			$V_{CCB} = 1.5V$	1.1		7.9	
			$V_{CCB} = 1.8V$	0.5		6.4	
			$V_{CCB} = 2.5V$	0.5		4.6	
			$V_{CCB} = 3.3V$	0.5		4	
t_{PHZ} , t_{PLZ}	\overline{OE}	A	$V_{CCB} = 1.2V$		1.8		ns
			$V_{CCB} = 1.5V$	0.5		5.1	
			$V_{CCB} = 1.8V$	0.5		5.1	
			$V_{CCB} = 2.5V$	0.5		5.1	
			$V_{CCB} = 3.3V$	0.5		5.1	
t_{PHZ} , t_{PLZ}	\overline{OE}	B	$V_{CCB} = 1.2V$		3.6		ns
			$V_{CCB} = 1.5V$	0.5		7.1	
			$V_{CCB} = 1.8V$	0.5		6.3	
			$V_{CCB} = 2.5V$	0.5		5.1	
			$V_{CCB} = 3.3V$	0.5		3.9	

5.10 Switching Characteristics, $V_{CCA} = 3.3V \pm 0.3V$

All typical limits apply over $T_A = 25^\circ C$, and all maximum and minimum limits apply over $T_A = -40^\circ C$ to $85^\circ C$ (unless otherwise noted) (see [Figure 6-1](#))

PARAMETER	FROM (INPUT)	TO (OUTPUT)	TEST CONDITIONS	MIN	TYP	MAX	UNIT
t_{PLH} , t_{PHL}	A	B	$V_{CCB} = 1.2V$		2.3		ns
			$V_{CCB} = 1.5V$	0.5		4.5	
			$V_{CCB} = 1.8V$	0.5		3.7	
			$V_{CCB} = 2.5V$	0.5		2.9	
			$V_{CCB} = 3.3V$	0.5		2.5	
t_{PLH} , t_{PHL}	B	A	$V_{CCB} = 1.2V$		3.5		ns
			$V_{CCB} = 1.5V$	0.5		6.8	
			$V_{CCB} = 1.8V$	0.5		3.9	
			$V_{CCB} = 2.5V$	0.5		2.8	
			$V_{CCB} = 3.3V$	0.5		2.5	
t_{PZH} , t_{PZL}	\overline{OE}	A	$V_{CCB} = 1.2V$		2		ns
			$V_{CCB} = 1.5V$	0.5		4	
			$V_{CCB} = 1.8V$	0.5		4	
			$V_{CCB} = 2.5V$	0.5		4	
			$V_{CCB} = 3.3V$	0.5		4	
t_{PZH} , t_{PZL}	\overline{OE}	B	$V_{CCB} = 1.2V$		4.5		ns
			$V_{CCB} = 1.5V$	1.1		7.8	
			$V_{CCB} = 1.8V$	0.5		6.2	
			$V_{CCB} = 2.5V$	0.5		4.5	
			$V_{CCB} = 3.3V$	0.5		3.9	
t_{PHZ} , t_{PLZ}	\overline{OE}	A	$V_{CCB} = 1.2V$		1.7		ns
			$V_{CCB} = 1.5V$	0.5		4	
			$V_{CCB} = 1.8V$	0.5		4	
			$V_{CCB} = 2.5V$	0.5		4	
			$V_{CCB} = 3.3V$	0.5		4	
t_{PHZ} , t_{PLZ}	\overline{OE}	B	$V_{CCB} = 1.2V$		3.4		ns
			$V_{CCB} = 1.5V$	0.5		6.9	
			$V_{CCB} = 1.8V$	0.5		6	
			$V_{CCB} = 2.5V$	0.5		4.8	
			$V_{CCB} = 3.3V$	0.5		4.2	

5.11 Operating Characteristics

T_A = 25°C

PARAMETER		FROM (INPUT)	TO (OUTPUT)	TEST CONDITIONS	TYP	UNIT	
C _{pdA}	Power dissipation capacitance per transceiver ⁽¹⁾ port A - outputs enabled	A	B	C _L = 0pF, f = 10MHz, t _r = t _f = 1ns	V _{CCA} = V _{CCB} = 1.2V	1	pF
					V _{CCA} = V _{CCB} = 1.5V	1	
					V _{CCA} = V _{CCB} = 1.8V	1	
					V _{CCA} = V _{CCB} = 2.5V	1	
					V _{CCA} = V _{CCB} = 3.3V	1	
	Power dissipation capacitance per transceiver ⁽¹⁾ port A - outputs disabled	A	B	C _L = 0pF, f = 10MHz, t _r = t _f = 1ns	V _{CCA} = V _{CCB} = 1.2V	1	
					V _{CCA} = V _{CCB} = 1.5V	1	
					V _{CCA} = V _{CCB} = 1.8V	1	
					V _{CCA} = V _{CCB} = 2.5V	1	
					V _{CCA} = V _{CCB} = 3.3V	1	
	Power dissipation capacitance per transceiver ⁽¹⁾ port A - outputs enabled	B	A	C _L = 0pF, f = 10MHz, t _r = t _f = 1ns	V _{CCA} = V _{CCB} = 1.2V	12	
					V _{CCA} = V _{CCB} = 1.5V	12	
					V _{CCA} = V _{CCB} = 1.8V	12	
					V _{CCA} = V _{CCB} = 2.5V	13	
					V _{CCA} = V _{CCB} = 3.3V	14	
	Power dissipation capacitance per transceiver ⁽¹⁾ port A - outputs disabled	B	A	C _L = 0pF, f = 10MHz, t _r = t _f = 1ns	V _{CCA} = V _{CCB} = 1.2V	1	
V _{CCA} = V _{CCB} = 1.5V					1		
V _{CCA} = V _{CCB} = 1.8V					1		
V _{CCA} = V _{CCB} = 2.5V					1		
V _{CCA} = V _{CCB} = 3.3V					1		
C _{pdB}	Power dissipation capacitance per transceiver ⁽¹⁾ port B - outputs enabled	A	B	C _L = 0pF, f = 10MHz, t _r = t _f = 1ns	V _{CCA} = V _{CCB} = 1.2V	12	pF
					V _{CCA} = V _{CCB} = 1.5V	12	
					V _{CCA} = V _{CCB} = 1.8V	12	
					V _{CCA} = V _{CCB} = 2.5V	13	
					V _{CCA} = V _{CCB} = 3.3V	14	
	Power dissipation capacitance per transceiver ⁽¹⁾ port B - outputs disabled	A	B	C _L = 0pF, f = 10MHz, t _r = t _f = 1ns	V _{CCA} = V _{CCB} = 1.2V	1	
					V _{CCA} = V _{CCB} = 1.5V	1	
					V _{CCA} = V _{CCB} = 1.8V	1	
					V _{CCA} = V _{CCB} = 2.5V	1	
					V _{CCA} = V _{CCB} = 3.3V	1	
	Power dissipation capacitance per transceiver ⁽¹⁾ port B - outputs enabled	B	A	C _L = 0pF, f = 10MHz, t _r = t _f = 1ns	V _{CCA} = V _{CCB} = 1.2V	1	
					V _{CCA} = V _{CCB} = 1.5V	1	
					V _{CCA} = V _{CCB} = 1.8V	1	
					V _{CCA} = V _{CCB} = 2.5V	1	
					V _{CCA} = V _{CCB} = 3.3V	1	
	Power dissipation capacitance per transceiver ⁽¹⁾ port B - outputs disabled	B	A	C _L = 0pF, f = 10MHz, t _r = t _f = 1ns	V _{CCA} = V _{CCB} = 1.2V	1	
V _{CCA} = V _{CCB} = 1.5V					1		
V _{CCA} = V _{CCB} = 1.8V					1		
V _{CCA} = V _{CCB} = 2.5V					1		
V _{CCA} = V _{CCB} = 3.3V					1		

(1) See to TI application report, *CMOS Power Consumption and Cpd Calculation* (SCAA035).

5.12 Typical Characteristics

T_A = 25°C

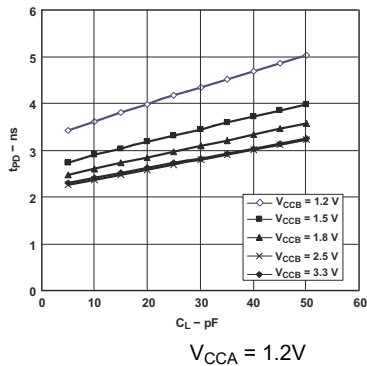


Figure 5-1. Typical Propagation Delay (A to B) vs Load Capacitance

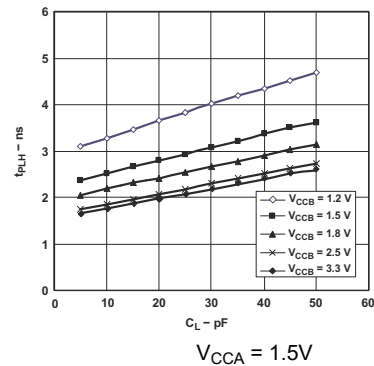


Figure 5-2. Typical Propagation Delay (A to B) vs Load Capacitance

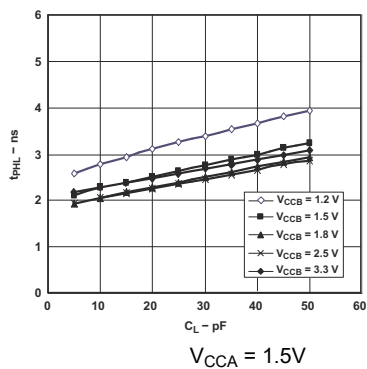


Figure 5-3. Typical Propagation Delay (A to B) vs Load Capacitance

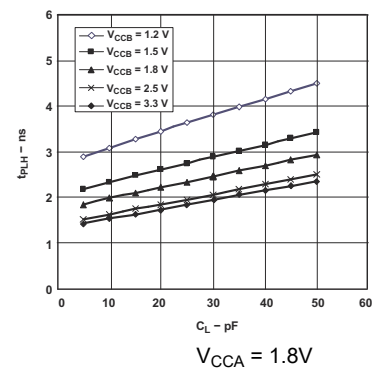


Figure 5-4. Typical Propagation Delay (A to B) vs Load Capacitance

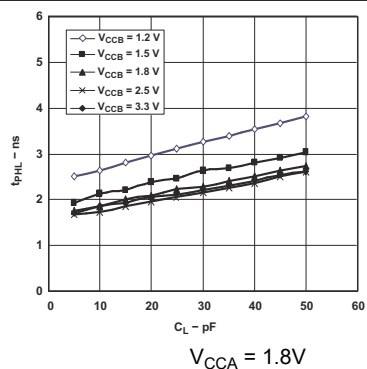


Figure 5-5. Typical Propagation Delay (A to B) vs Load Capacitance

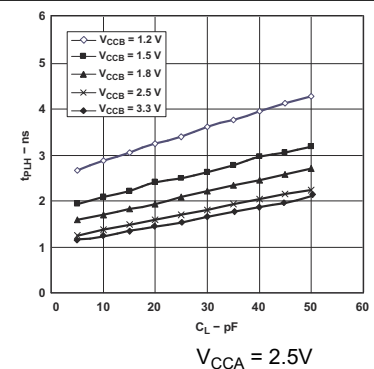


Figure 5-6. Typical Propagation Delay (A to B) vs Load Capacitance

5.12 Typical Characteristics (continued)

$T_A = 25^\circ\text{C}$

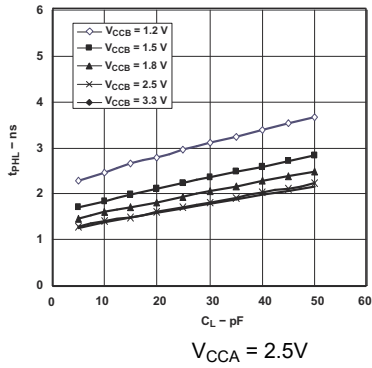


Figure 5-7. Typical Propagation Delay (A to B) vs Load Capacitance

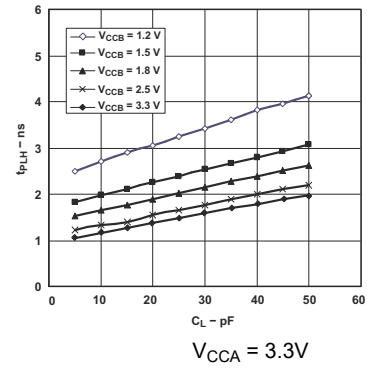


Figure 5-8. Typical Propagation Delay (A to B) vs Load Capacitance

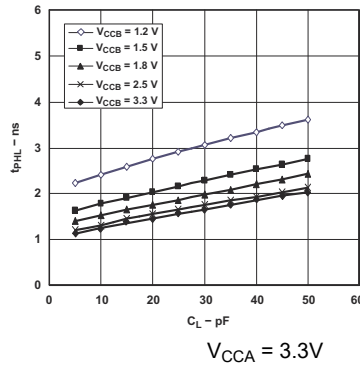
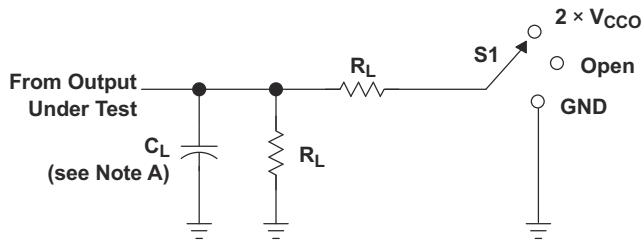


Figure 5-9. Typical Propagation Delay (A to B) vs Load Capacitance

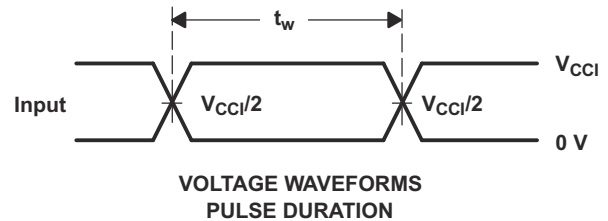
6 Parameter Measurement Information



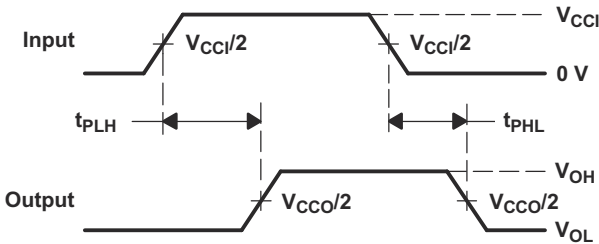
LOAD CIRCUIT

V_{CCO}	C_L	R_L	V_{TP}
1.2 V	15 pF	2 k Ω	0.1 V
1.5 V \pm 0.1 V	15 pF	2 k Ω	0.1 V
1.8 V \pm 0.15 V	15 pF	2 k Ω	0.15 V
2.5 V \pm 0.2 V	15 pF	2 k Ω	0.15 V
3.3 V \pm 0.3 V	15 pF	2 k Ω	0.3 V

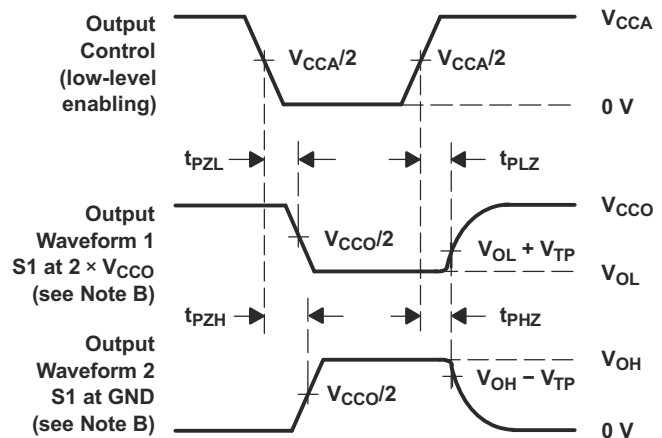
TEST	S1
t_{pd}	Open
t_{PLZ}/t_{PZL}	$2 \times V_{CCO}$
t_{PHZ}/t_{PZH}	GND



VOLTAGE WAVEFORMS PULSE DURATION



VOLTAGE WAVEFORMS PROPAGATION DELAY TIMES



VOLTAGE WAVEFORMS ENABLE AND DISABLE TIMES

- NOTES:
- A. C_L includes probe and jig capacitance.
 - B. Waveform 1 is for an output with internal conditions such that the output is low except when disabled by the output control. Waveform 2 is for an output with internal conditions such that the output is high, except when disabled by the output control.
 - C. All input pulses are supplied by generators having the following characteristics: $PRR \leq 10$ MHz, $Z_O = 50 \Omega$, $dv/dt \geq 1$ V/ns.
 - D. The outputs are measured one at a time, with one transition per measurement.
 - E. t_{PLZ} and t_{PHZ} are the same as t_{dis} .
 - F. t_{PZL} and t_{PZH} are the same as t_{en} .
 - G. t_{PLH} and t_{PHL} are the same as t_{pd} .
 - H. V_{CC1} is the V_{CC} associated with the input port.
 - I. V_{CCO} is the V_{CC} associated with the output port.

Figure 6-1. Load Circuit and Voltage Waveforms

7 Detailed Description

7.1 Overview

The SN74AVCH8T245 is an 8-bit, dual supply noninverting bidirectional voltage level translator. Pins A1 through A4, and the control pins (DIR and \overline{OE}) are referenced to V_{CCA} , while pins B1 through B4 are referenced to V_{CCB} . Both the A port and B port can accept I/O voltages ranging from 1.2V to 3.6V. With \overline{OE} set to low, a high on DIR allows data transmission from Port A to Port B, and a low on DIR allows data transmission from Port B to Port A. When \overline{OE} is set to high, both Port A and Port B outputs are in the high-impedance state. For more information, see [AVC Logic Family Technology and Application](#).

7.2 Functional Block Diagram

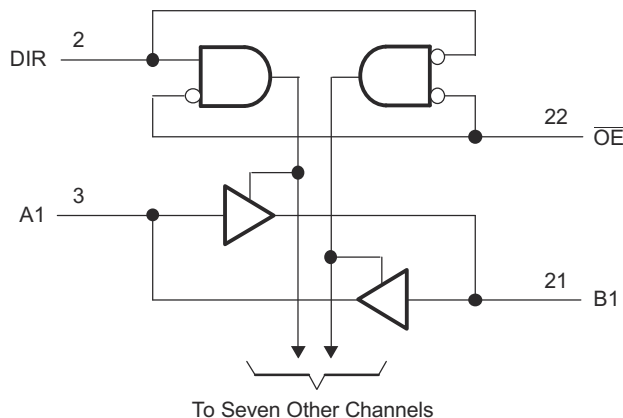


Figure 7-1. Logic Diagram (Positive Logic)

7.3 Feature Description

7.3.1 Fully Configurable Dual-Rail Design

Both V_{CCA} and V_{CCB} can be supplied at any voltage from 1.2V to 3.6V, making the device an excellent choice for translating between any of the low voltage nodes: 1.2V, 1.8V, 2.5V, and 3.3V.

Table 7-1. Typical Total Static Power Consumption ($I_{CCA} + I_{CCB}$)

V_{CCB}	V_{CCA}						UNIT
	0V	1.2V	1.5V	1.8V	2.5V	3.3V	
0V	0	<0.5	<0.5	<0.5	<0.5	<0.5	μA
1.2V	<0.5	<1	<1	<1	<1	1	
1.5V	<0.5	<1	<1	<1	<1	1	
1.8V	<0.5	<1	<1	<1	<1	<1	
2.5V	<0.5	1	<1	<1	<1	<1	
3.3V	<0.5	1	<1	<1	<1	<1	

7.3.2 Supports High-Speed Translation

SN74AVCH8T245 can support high data rate applications, which can be calculated from the maximum propagation delay. This is also dependent on output load. The translated signal data rate can be up to 320Mbps when both V_{CCA} and V_{CCB} are at least 1.8V.

7.3.3 Partial-Power-Down Mode Operation

I_{off} circuitry disables the outputs, preventing damaging current backflow through the SN74AVCH8T245 when it is powered down. Damaging current backflow can occur in applications where subsections of a system are powered down (partial-power-down) to reduce power consumption.

7.3.4 Bus-Hold Circuitry

Active bus-hold circuitry holds unused or undriven data inputs at a valid logic state, which helps with board space savings and reduced component costs. Use of pull-up or pull-down resistors with the bus-hold circuitry is not recommended. For more information, see [Bus-Hold Circuit](#).

7.3.5 V_{CC} Isolation Feature

The V_{CC} isolation feature allows both ports to be in a high-impedance state if either V_{CCA} or V_{CCB} are at GND (or < 0.4V). For more information, see I_{OZ} in the [Electrical Characteristics](#). This feature prevents false logic levels from being presented to either bus.

7.4 Device Functional Modes

[Table 7-2](#) lists the functional modes of the SN74AVCH8T245.

Table 7-2. Function Table (Each 8-Bit Section)

CONTROL INPUTS ⁽¹⁾		OUTPUT CIRCUITS		OPERATION
\overline{OE}	DIR	A PORT	B PORT	
L	L	Enabled	Hi-Z	B data to A bus
L	H	Hi-Z	Enabled	A data to B bus
H	X	Hi-Z	Hi-Z	Isolation

(1) Input circuits of the data I/Os are always active.

8 Application and Implementation

Note

Information in the following applications sections is not part of the TI component specification, and TI does not warrant its accuracy or completeness. TI's customers are responsible for determining suitability of components for their purposes, as well as validating and testing their design implementation to confirm system functionality.

8.1 Application Information

The SN74AVCH8T245 device can be used in level-translation applications for interfacing devices or systems operating at different interface voltages with one another. The SN74AVCH8T245 device is an excellent choice for data transmission when direction is different. The maximum data rate can be up to 320Mbps when device voltage power supply is more than 1.8V.

8.2 Typical Application

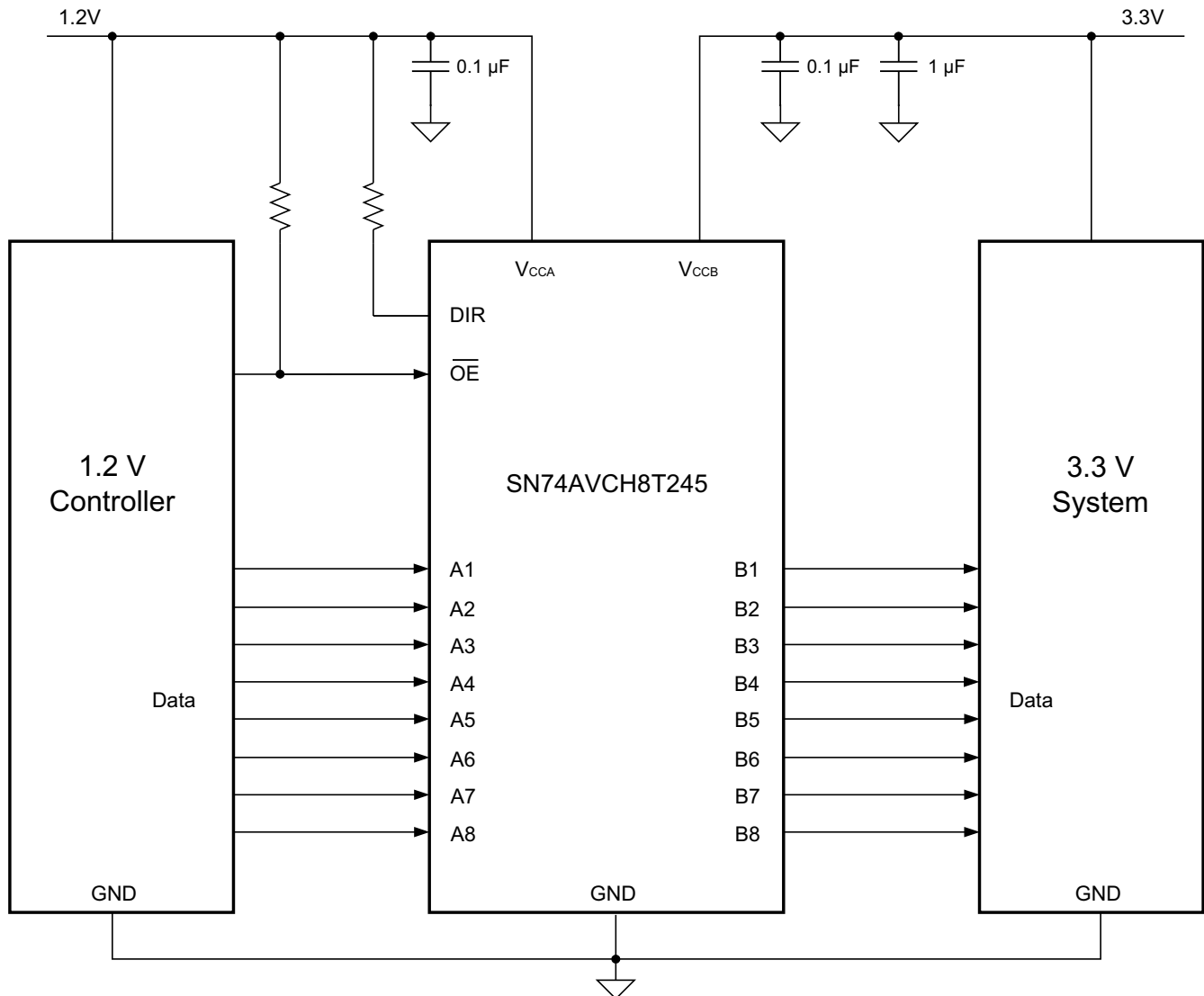


Figure 8-1. Typical Application Schematic

8.2.1 Design Requirements

For this design example, use the parameters listed in [Table 8-1](#).

Table 8-1. Design Parameters

DESIGN PARAMETERS	EXAMPLE VALUE
Input voltage	1.2V to 3.6V
Output voltage	1.2V to 3.6V

8.2.2 Detailed Design Procedure

To begin the design process, determine the following:

- Input voltage range:
 - Use the supply voltage of the device that is driving the SN74AVCH8T245 device to determine the input voltage range. For a valid logic high, the value must exceed the V_{IH} of the input port. For a valid logic low, the value must be less than the V_{IL} of the input port.
- Output voltage range:
 - Use the supply voltage of the device that the SN74AVCH8T245 device is driving to determine the output voltage range.

8.2.3 Application Curves

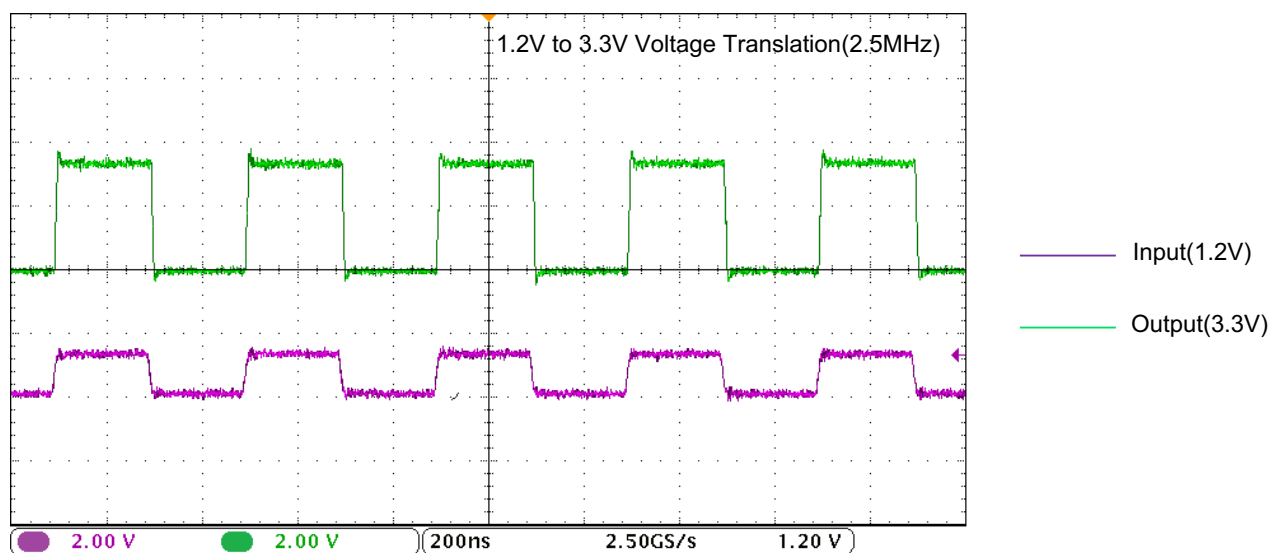


Figure 8-2. Translation Up (1.2V to 3.3V) at 2.5MHz

8.3 Power Supply Recommendations

The design of the output-enable (\overline{OE}) input circuit is referenced to V_{CCA} so that all outputs are placed in the high-impedance state when the \overline{OE} input is high. To put the outputs in a high-impedance state during power up or power down, the \overline{OE} input pin must be tied to V_{CCA} through a pullup resistor and must not be enabled until V_{CCA} and V_{CCB} are fully ramped and stable. The current-sinking capability of the driver determines the minimum value of the pullup resistor to V_{CCA} .

V_{CCA} or V_{CCB} can be powered up first. If the SN74AVCH8T245 is powered up in a permanently enabled state (for example \overline{OE} is always kept low), then pullup resistors are recommended at the input. Doing this allows for proper, glitch-free, power-up. For more information, see [Designing with SN4LVCXT245 and SN74LVCHXT245 Family of Direction Controlled Voltage Translators/Level-Shifters](#). In addition, the \overline{OE} pin may be shorted to GND if the application does not require use of the high-impedance state at any time.

8.4 Layout

8.4.1 Layout Guidelines

For device reliability, TI recommends following the common printed-circuit board layout guidelines.

- Use bypass capacitors on power supplies.
- Use short trace lengths to avoid excessive loading.
- Placing pads on the signal paths for loading capacitors or pullup resistors to help adjust rise and fall times of signals depending on the system requirements.

8.4.2 Layout Example

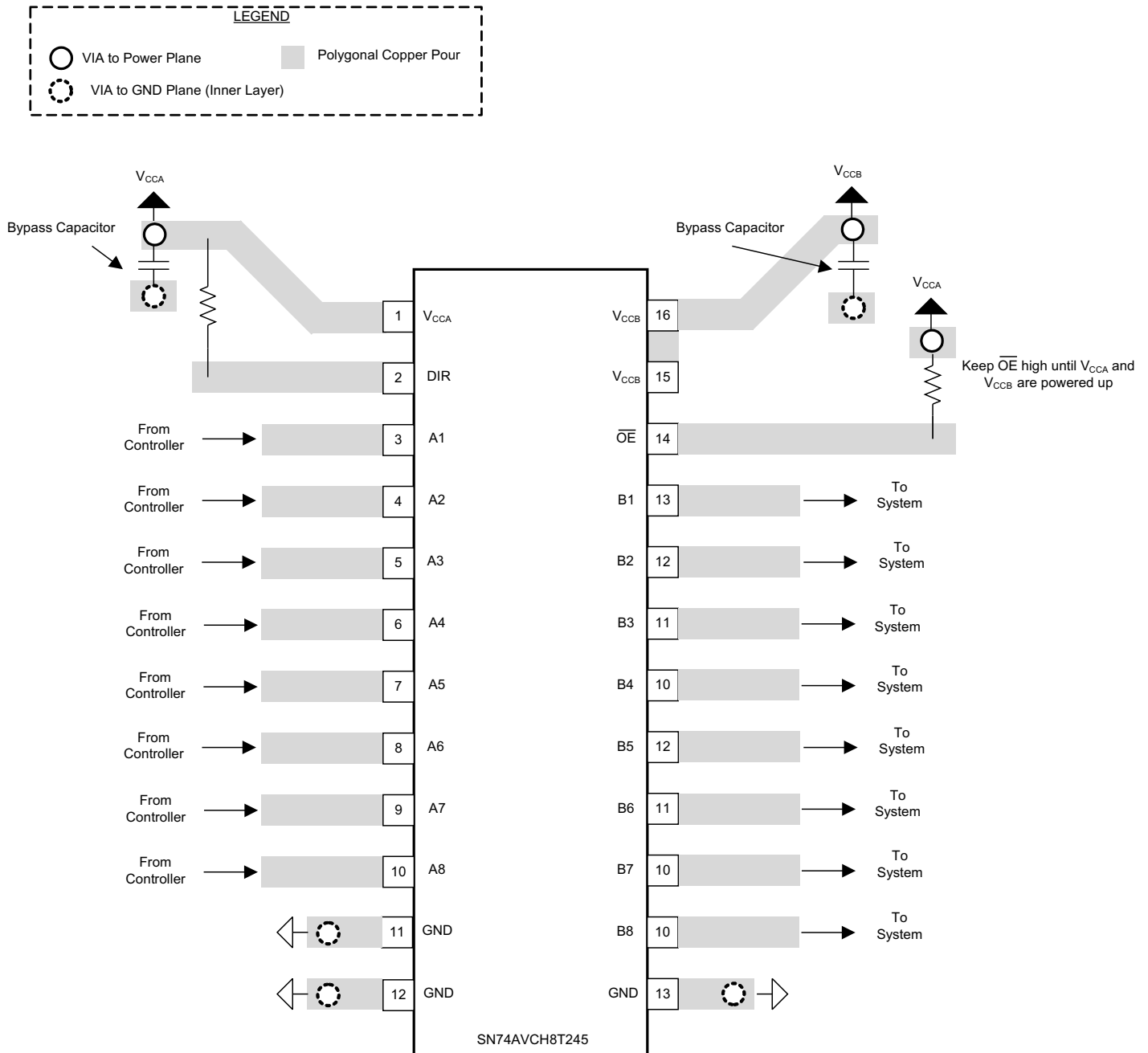


Figure 8-3. SN74AVCH8T245 Layout Example

9 Device and Documentation Support

9.1 Documentation Support

9.1.1 Related Documentation

For related documentation, see the following:

- Texas Instruments, [Designing with SN74LVCXT245 and SN74LVCHXT245 Family of Direction Controlled Voltage Translators/Level-Shifters](#)
- Texas Instruments, [Bus-Hold Circuit](#)
- Texas Instruments, [AVC Logic Family Technology and Applications](#)
- Texas Instruments, [CMOS Power Consumption and Cpd Calculation](#)

9.2 Receiving Notification of Documentation Updates

To receive notification of documentation updates, navigate to the device product folder on ti.com. Click on *Notifications* to register and receive a weekly digest of any product information that has changed. For change details, review the revision history included in any revised document.

9.3 Support Resources

[TI E2E™ support forums](#) are an engineer's go-to source for fast, verified answers and design help — straight from the experts. Search existing answers or ask your own question to get the quick design help you need.

Linked content is provided "AS IS" by the respective contributors. They do not constitute TI specifications and do not necessarily reflect TI's views; see TI's [Terms of Use](#).

9.4 Trademarks

TI E2E™ is a trademark of Texas Instruments.

All trademarks are the property of their respective owners.

9.5 Electrostatic Discharge Caution



This integrated circuit can be damaged by ESD. Texas Instruments recommends that all integrated circuits be handled with appropriate precautions. Failure to observe proper handling and installation procedures can cause damage.

ESD damage can range from subtle performance degradation to complete device failure. Precision integrated circuits may be more susceptible to damage because very small parametric changes could cause the device not to meet its published specifications.

9.6 Glossary

[TI Glossary](#) This glossary lists and explains terms, acronyms, and definitions.

10 Revision History

NOTE: Page numbers for previous revisions may differ from page numbers in the current version.

Changes from Revision I (November 2023) to Revision J (April 2024)	Page
• Changed kW to kΩ in the <i>Load Circuit and Voltage Waveforms</i> figure.....	16

Changes from Revision H (January 2016) to Revision I (November 2023)	Page
• Updated the numbering format for tables, figures, and cross-references throughout the document.....	1
• Updated the <i>Package Information</i> table to include package lead size.....	1
• Updated the <i>Thermal Information</i> table for the <i>DGV</i> , <i>PW</i> , and <i>RHL</i> packages.....	6

Changes from Revision G (March 2007) to Revision H (January 2016)	Page
• Added <i>ESD Ratings</i> table, <i>Feature Description</i> section, <i>Device Functional Modes, Application and Implementation</i> section, <i>Power Supply Recommendations</i> section, <i>Layout</i> section, <i>Device and Documentation Support</i> section, and <i>Mechanical, Packaging, and Orderable Information</i> section.....	1
• Deleted the <i>Ordering Information</i> table.....	1

11 Mechanical, Packaging, and Orderable Information

The following pages include mechanical, packaging, and orderable information. This information is the most current data available for the designated devices. This data is subject to change without notice and revision of this document. For browser-based versions of this data sheet, refer to the left-hand navigation.

PACKAGING INFORMATION

Orderable Device	Status (1)	Package Type	Package Drawing	Pins	Package Qty	Eco Plan (2)	Lead finish/ Ball material (6)	MSL Peak Temp (3)	Op Temp (°C)	Device Marking (4/5)	Samples
74AVCH8T245PWRG4	ACTIVE	TSSOP	PW	24	2000	RoHS & Green	NIPDAU	Level-1-260C-UNLIM	-40 to 85	WP245	Samples
74AVCH8T245RHLRG4	ACTIVE	VQFN	RHL	24	1000	RoHS & Green	NIPDAU	Level-2-260C-1 YEAR	-40 to 85	WP245	Samples
SN74AVCH8T245DGVR	ACTIVE	TVSOP	DGV	24	2000	RoHS & Green	NIPDAU	Level-1-260C-UNLIM	-40 to 85	WP245	Samples
SN74AVCH8T245PW	ACTIVE	TSSOP	PW	24	60	RoHS & Green	NIPDAU	Level-1-260C-UNLIM	-40 to 85	WP245	Samples
SN74AVCH8T245PWG4	ACTIVE	TSSOP	PW	24	60	RoHS & Green	NIPDAU	Level-1-260C-UNLIM	-40 to 85	WP245	Samples
SN74AVCH8T245PWR	ACTIVE	TSSOP	PW	24	2000	RoHS & Green	NIPDAU	Level-1-260C-UNLIM	-40 to 85	WP245	Samples
SN74AVCH8T245RHLR	ACTIVE	VQFN	RHL	24	1000	RoHS & Green	NIPDAU	Level-2-260C-1 YEAR	-40 to 85	WP245	Samples

(1) The marketing status values are defined as follows:

ACTIVE: Product device recommended for new designs.

LIFEBUY: TI has announced that the device will be discontinued, and a lifetime-buy period is in effect.

NRND: Not recommended for new designs. Device is in production to support existing customers, but TI does not recommend using this part in a new design.

PREVIEW: Device has been announced but is not in production. Samples may or may not be available.

OBSOLETE: TI has discontinued the production of the device.

(2) **RoHS:** TI defines "RoHS" to mean semiconductor products that are compliant with the current EU RoHS requirements for all 10 RoHS substances, including the requirement that RoHS substance do not exceed 0.1% by weight in homogeneous materials. Where designed to be soldered at high temperatures, "RoHS" products are suitable for use in specified lead-free processes. TI may reference these types of products as "Pb-Free".

RoHS Exempt: TI defines "RoHS Exempt" to mean products that contain lead but are compliant with EU RoHS pursuant to a specific EU RoHS exemption.

Green: TI defines "Green" to mean the content of Chlorine (Cl) and Bromine (Br) based flame retardants meet JS709B low halogen requirements of <=1000ppm threshold. Antimony trioxide based flame retardants must also meet the <=1000ppm threshold requirement.

(3) MSL, Peak Temp. - The Moisture Sensitivity Level rating according to the JEDEC industry standard classifications, and peak solder temperature.

(4) There may be additional marking, which relates to the logo, the lot trace code information, or the environmental category on the device.

(5) Multiple Device Markings will be inside parentheses. Only one Device Marking contained in parentheses and separated by a "~" will appear on a device. If a line is indented then it is a continuation of the previous line and the two combined represent the entire Device Marking for that device.

⁽⁶⁾ Lead finish/Ball material - Orderable Devices may have multiple material finish options. Finish options are separated by a vertical ruled line. Lead finish/Ball material values may wrap to two lines if the finish value exceeds the maximum column width.

Important Information and Disclaimer:The information provided on this page represents TI's knowledge and belief as of the date that it is provided. TI bases its knowledge and belief on information provided by third parties, and makes no representation or warranty as to the accuracy of such information. Efforts are underway to better integrate information from third parties. TI has taken and continues to take reasonable steps to provide representative and accurate information but may not have conducted destructive testing or chemical analysis on incoming materials and chemicals. TI and TI suppliers consider certain information to be proprietary, and thus CAS numbers and other limited information may not be available for release.

In no event shall TI's liability arising out of such information exceed the total purchase price of the TI part(s) at issue in this document sold by TI to Customer on an annual basis.

TAPE AND REEL INFORMATION

QUADRANT ASSIGNMENTS FOR PIN 1 ORIENTATION IN TAPE


*All dimensions are nominal

Device	Package Type	Package Drawing	Pins	SPQ	Reel Diameter (mm)	Reel Width W1 (mm)	A0 (mm)	B0 (mm)	K0 (mm)	P1 (mm)	W (mm)	Pin1 Quadrant
SN74AVCH8T245DGVR	TVSOP	DGV	24	2000	330.0	12.4	6.9	5.6	1.6	8.0	12.0	Q1
SN74AVCH8T245PWR	TSSOP	PW	24	2000	330.0	16.4	6.95	8.3	1.6	8.0	16.0	Q1
SN74AVCH8T245RHLR	VQFN	RHL	24	1000	180.0	12.4	3.8	5.8	1.2	8.0	12.0	Q1

TAPE AND REEL BOX DIMENSIONS


*All dimensions are nominal

Device	Package Type	Package Drawing	Pins	SPQ	Length (mm)	Width (mm)	Height (mm)
SN74AVCH8T245DGVR	TVSOP	DGV	24	2000	356.0	356.0	35.0
SN74AVCH8T245PWR	TSSOP	PW	24	2000	356.0	356.0	35.0
SN74AVCH8T245RHLR	VQFN	RHL	24	1000	210.0	185.0	35.0

TUBE


*All dimensions are nominal

Device	Package Name	Package Type	Pins	SPQ	L (mm)	W (mm)	T (μm)	B (mm)
SN74AVCH8T245PW	PW	TSSOP	24	60	530	10.2	3600	3.5
SN74AVCH8T245PWG4	PW	TSSOP	24	60	530	10.2	3600	3.5

PW0024A



PACKAGE OUTLINE

TSSOP - 1.2 mm max height

SMALL OUTLINE PACKAGE



4220208/A 02/2017

NOTES:

1. All linear dimensions are in millimeters. Any dimensions in parenthesis are for reference only. Dimensioning and tolerancing per ASME Y14.5M.
2. This drawing is subject to change without notice.
3. This dimension does not include mold flash, protrusions, or gate burrs. Mold flash, protrusions, or gate burrs shall not exceed 0.15 mm per side.
4. This dimension does not include interlead flash. Interlead flash shall not exceed 0.25 mm per side.
5. Reference JEDEC registration MO-153.

EXAMPLE BOARD LAYOUT

PW0024A

TSSOP - 1.2 mm max height

SMALL OUTLINE PACKAGE



LAND PATTERN EXAMPLE
EXPOSED METAL SHOWN
SCALE: 10X



SOLDER MASK DETAILS

4220208/A 02/2017

NOTES: (continued)

6. Publication IPC-7351 may have alternate designs.
7. Solder mask tolerances between and around signal pads can vary based on board fabrication site.

EXAMPLE STENCIL DESIGN

PW0024A

TSSOP - 1.2 mm max height

SMALL OUTLINE PACKAGE



NOTES: (continued)

8. Laser cutting apertures with trapezoidal walls and rounded corners may offer better paste release. IPC-7525 may have alternate design recommendations.
9. Board assembly site may have different recommendations for stencil design.

DGV (R-PDSO-G**)

PLASTIC SMALL-OUTLINE

24 PINS SHOWN



- NOTES: A. All linear dimensions are in millimeters.
 B. This drawing is subject to change without notice.
 C. Body dimensions do not include mold flash or protrusion, not to exceed 0,15 per side.
 D. Falls within JEDEC: 24/48 Pins – MO-153
 14/16/20/56 Pins – MO-194

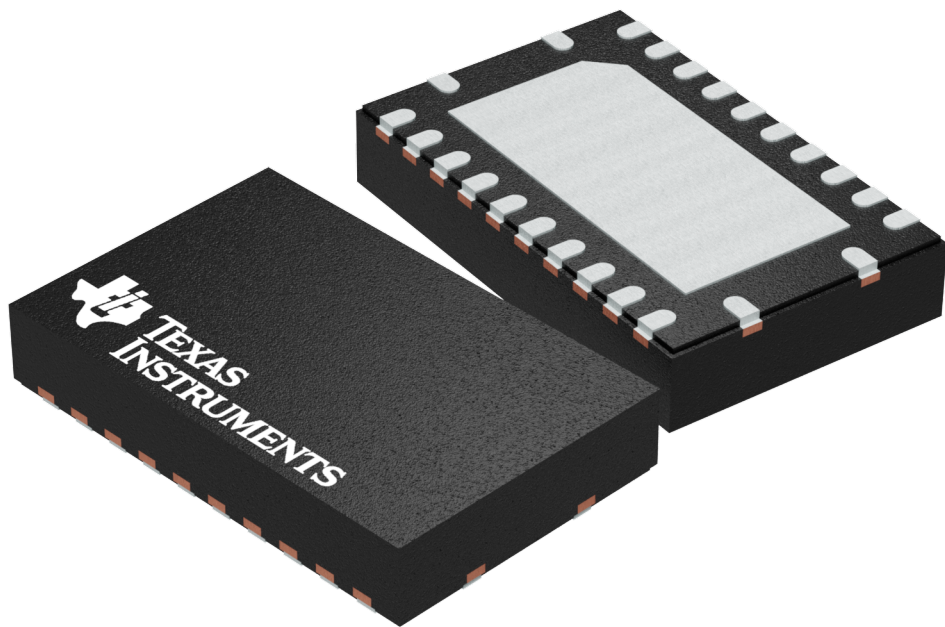
GENERIC PACKAGE VIEW

RGY 24

VQFN - 1 mm max height

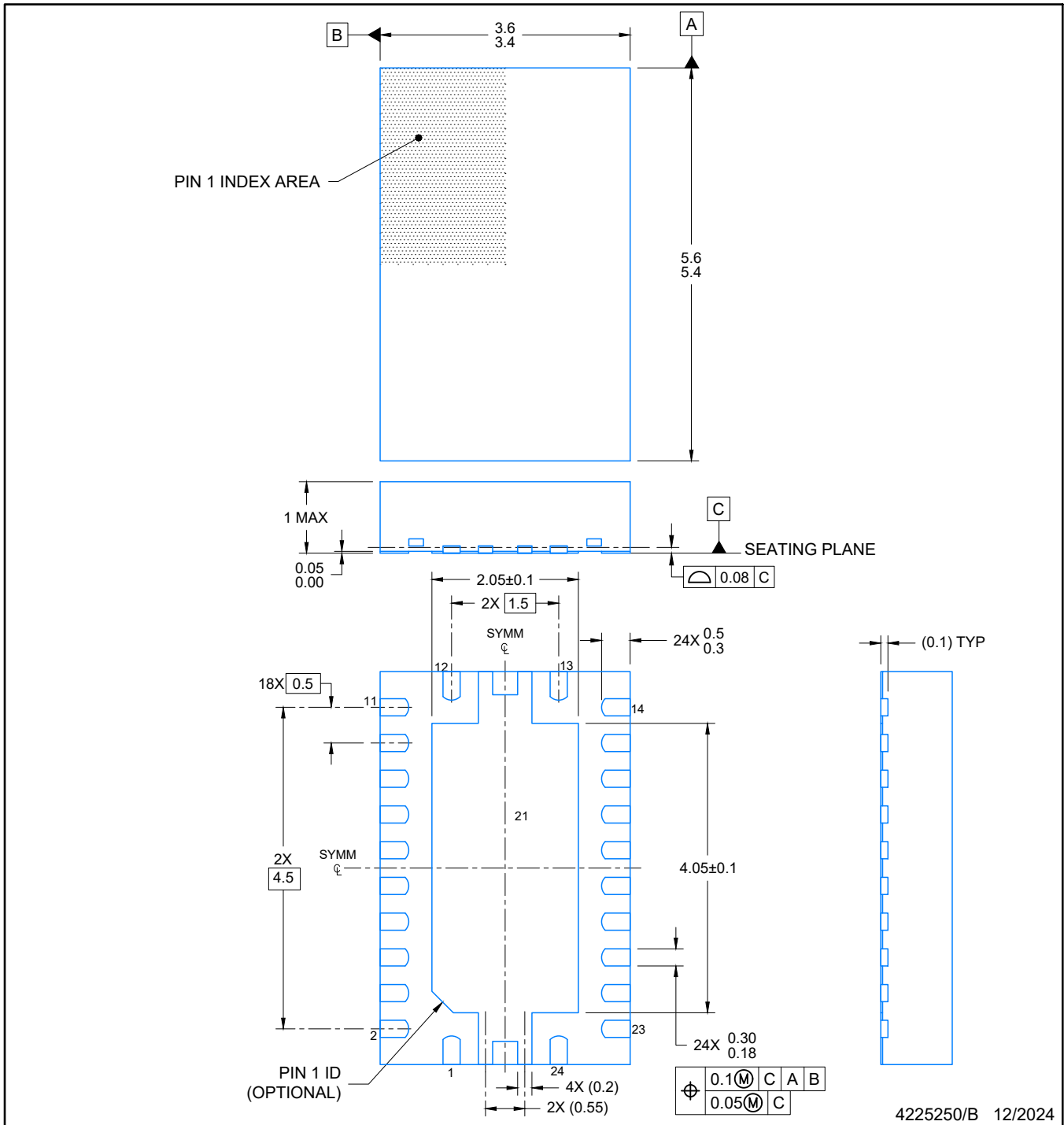
5.5 x 3.5 mm, 0.5 mm pitch

PLASTIC QUAD FLATPACK - NO LEAD



Images above are just a representation of the package family, actual package may vary.
Refer to the product data sheet for package details.

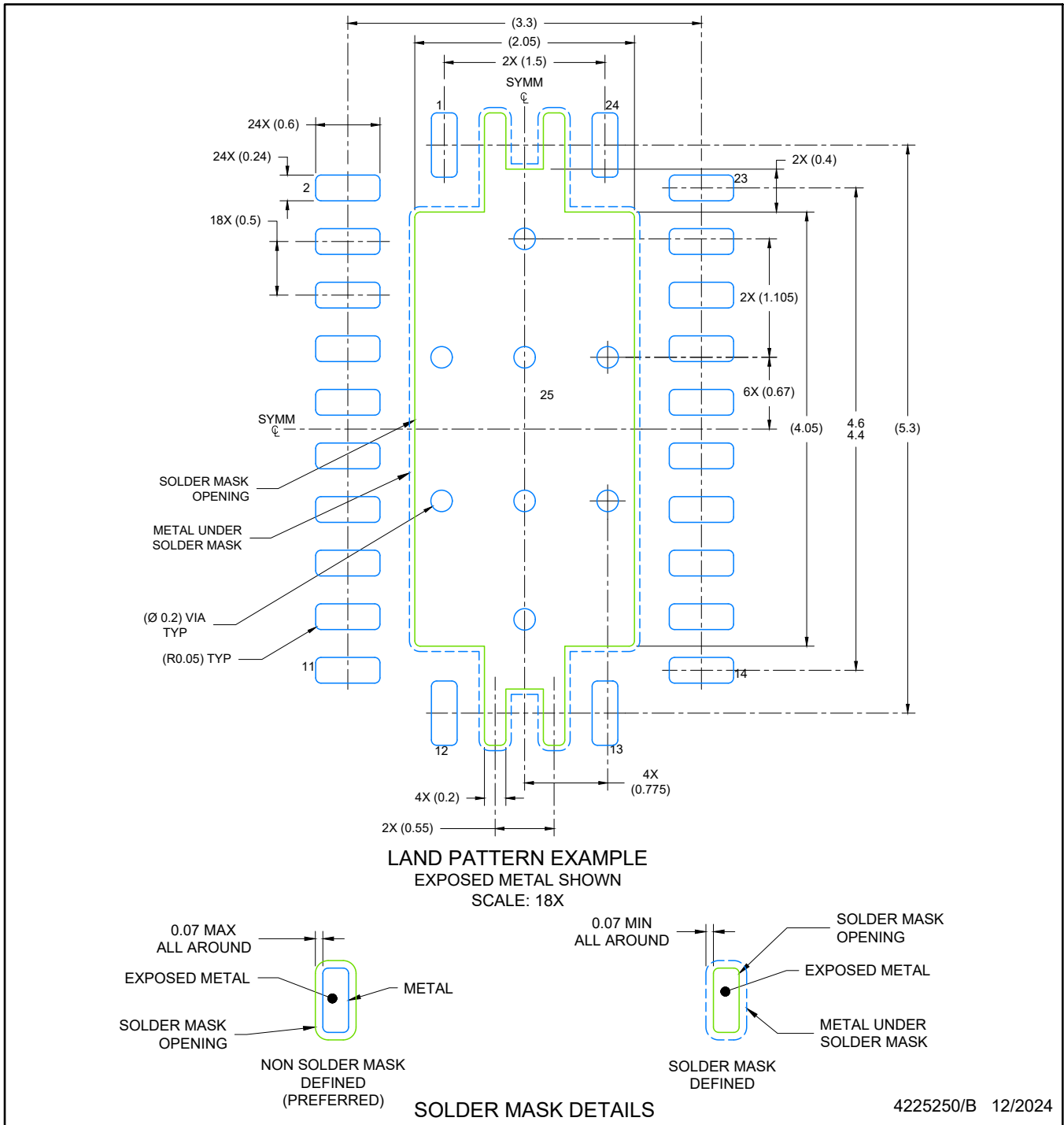
4203539-5/J



4225250/B 12/2024

NOTES:

1. All linear dimensions are in millimeters. Any dimensions in parenthesis are for reference only. Dimensioning and tolerancing per ASME Y14.5M.
2. This drawing is subject to change without notice.
3. The package thermal pad must be soldered to the printed circuit board for optimal thermal and mechanical performance.



NOTES: (continued)

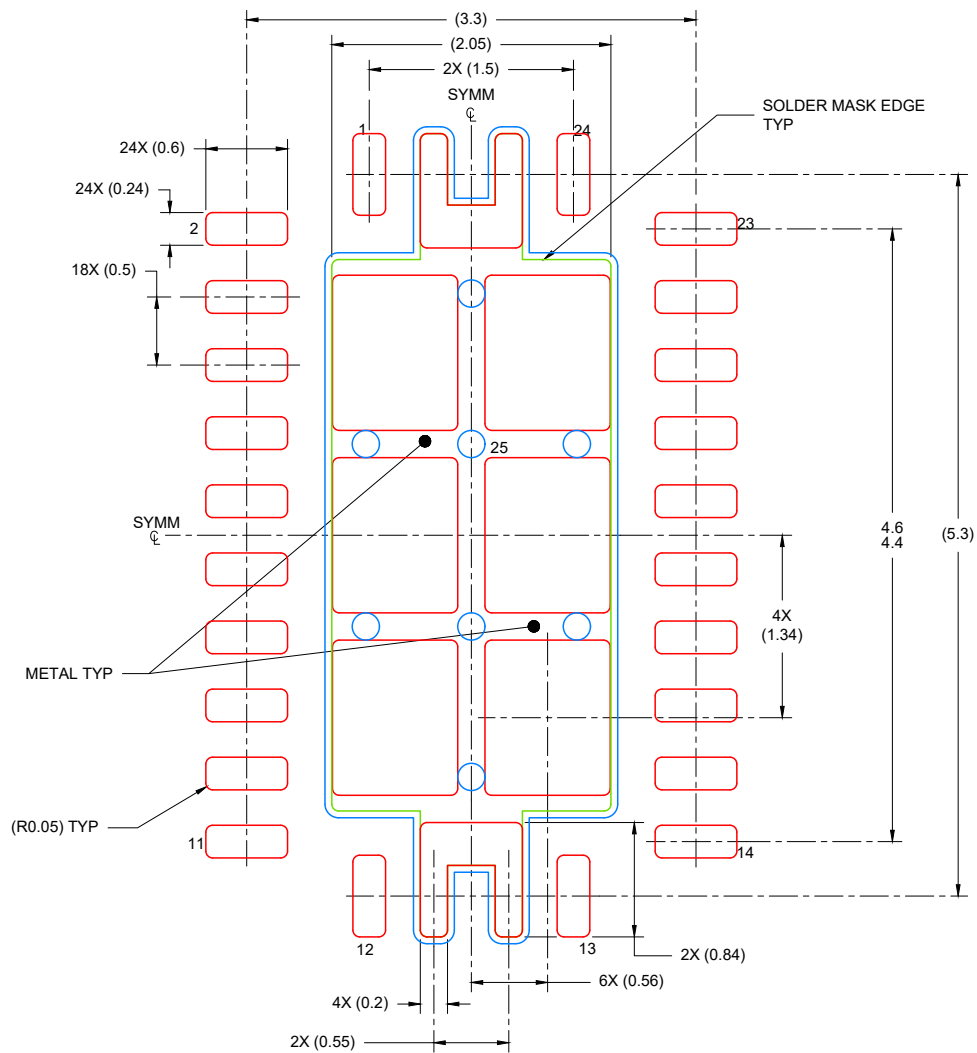
4. This package is designed to be soldered to a thermal pad on the board. For more information, see Texas Instruments literature number SLUA271 (www.ti.com/lit/sluea271).
5. Vias are optional depending on application, refer to device data sheet. If any vias are implemented, refer to their locations shown on this view. It is recommended that vias under paste be filled, plugged or tented.

EXAMPLE STENCIL DESIGN

VQFN - 1 mm max height

RHL0024A

PLASTIC QUAD FLATPACK- NO LEAD



SOLDER PASTE EXAMPLE
BASED ON 0.125 mm THICK STENCIL

EXPOSED PAD
80% PRINTED COVERAGE BY AREA
SCALE: 18X

4225250/B 12/2024

NOTES: (continued)

6. Laser cutting apertures with trapezoidal walls and rounded corners may offer better paste release. IPC-7525 may have alternate design recommendations.

IMPORTANT NOTICE AND DISCLAIMER

TI PROVIDES TECHNICAL AND RELIABILITY DATA (INCLUDING DATA SHEETS), DESIGN RESOURCES (INCLUDING REFERENCE DESIGNS), APPLICATION OR OTHER DESIGN ADVICE, WEB TOOLS, SAFETY INFORMATION, AND OTHER RESOURCES "AS IS" AND WITH ALL FAULTS, AND DISCLAIMS ALL WARRANTIES, EXPRESS AND IMPLIED, INCLUDING WITHOUT LIMITATION ANY IMPLIED WARRANTIES OF MERCHANTABILITY, FITNESS FOR A PARTICULAR PURPOSE OR NON-INFRINGEMENT OF THIRD PARTY INTELLECTUAL PROPERTY RIGHTS.

These resources are intended for skilled developers designing with TI products. You are solely responsible for (1) selecting the appropriate TI products for your application, (2) designing, validating and testing your application, and (3) ensuring your application meets applicable standards, and any other safety, security, regulatory or other requirements.

These resources are subject to change without notice. TI grants you permission to use these resources only for development of an application that uses the TI products described in the resource. Other reproduction and display of these resources is prohibited. No license is granted to any other TI intellectual property right or to any third party intellectual property right. TI disclaims responsibility for, and you will fully indemnify TI and its representatives against, any claims, damages, costs, losses, and liabilities arising out of your use of these resources.

TI's products are provided subject to [TI's Terms of Sale](#) or other applicable terms available either on [ti.com](https://www.ti.com) or provided in conjunction with such TI products. TI's provision of these resources does not expand or otherwise alter TI's applicable warranties or warranty disclaimers for TI products.

TI objects to and rejects any additional or different terms you may have proposed.

Mailing Address: Texas Instruments, Post Office Box 655303, Dallas, Texas 75265

Copyright © 2025, Texas Instruments Incorporated