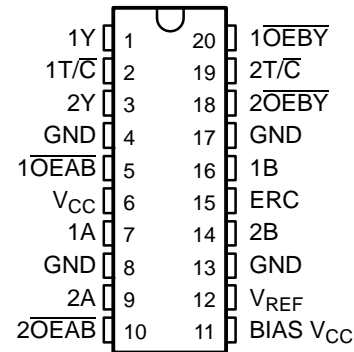


## FEATURES

- **TI-OPC™ Circuitry Limits Ringing on Unevenly Loaded Backplanes**
- **OEC™ Circuitry Improves Signal Integrity and Reduces Electromagnetic Interference**
- **Bidirectional Interface Between GTLP Signal Levels and LVTTTL Logic Levels**
- **Split LVTTTL Port Provides a Feedback Path for Control and Diagnostics Monitoring**
- **Y Outputs Have Equivalent 26-Ω Series Resistors, So No External Resistors Are Required**
- **LVTTTL Interfaces Are 5-V Tolerant**
- **High-Drive GTLP Outputs (100 mA)**
- **LVTTTL Outputs (–12 mA/12 mA)**
- **Variable Edge-Rate Control (ERC) Input Selects GTLP Rise and Fall Times for Optimal Data-Transfer Rate and Signal Integrity in Distributed Loads**
- **I<sub>off</sub>, Power-Up 3-State, and BIAS V<sub>CC</sub> Support Live Insertion**

- **Polarity Control Selects True or Complementary Outputs**
- **Latch-Up Performance Exceeds 100 mA Per JESD 78, Class II**
- **ESD Protection Exceeds JESD 22**
  - 2000-V Human-Body Model (A114-A)
  - 200-V Machine Model (A115-A)
  - 1000-V Charged-Device Model (C101)

DGV, DW, OR PW PACKAGE  
(TOP VIEW)



## DESCRIPTION/ORDERING INFORMATION

The SN74GTL21395 is two 1-bit, high-drive, 3-wire bus transceivers that provide LVTTTL-to-GTLP and GTLP-to-LVTTTL signal-level translation for applications, such as primary and secondary clocks, that require individual output-enable and true/complement controls. The device allows for transparent and inverted transparent modes of data transfer with separate LVTTTL input and LVTTTL output pins, which provide a feedback path for control and diagnostics monitoring. The device provides a high-speed interface between cards operating at LVTTTL logic levels and a backplane operating at GTLP signal levels and is designed especially to work with the Texas Instruments 3.3-V 1394 backplane physical-layer controller. High-speed (about three times faster than standard LVTTTL or TTL) backplane operation is a direct result of GTLP reduced output swing (<1 V), reduced input threshold levels, improved differential input, OEC™ circuitry, and TI-OPC™ circuitry. Improved GTLP OEC and TI-OPC circuitry minimizes bus settling time, and have been designed and tested using several backplane models. The high drive allows incident-wave switching in heavily loaded backplanes, with equivalent load impedance down to 11 Ω.

The Y outputs, which are designed to sink up to 12 mA, include equivalent 26-Ω resistors to reduce overshoot and undershoot.

GTLP is the Texas Instruments derivative of the Gunning Transceiver Logic (GTL) JEDEC standard JESD 8-3. The ac specification of the SN74GTL21395 is given only at the preferred higher noise margin GTLP, but the user has the flexibility of using this device at either GTL (V<sub>TT</sub> = 1.2 V and V<sub>REF</sub> = 0.8 V) or GTLP (V<sub>TT</sub> = 1.5 V and V<sub>REF</sub> = 1 V) signal levels. For information on using GTLP devices in FB+/BTL applications, refer to TI application reports, *Texas Instruments GTLP Frequently Asked Questions*, literature number SCEA019, and *GTLP in BTL Applications*, literature number SCEA017.



Please be aware that an important notice concerning availability, standard warranty, and use in critical applications of Texas Instruments semiconductor products and disclaimers thereto appears at the end of this data sheet.

TI-OPC, OEC are trademarks of Texas Instruments.

**DESCRIPTION/ORDERING INFORMATION (CONTINUED)**

Normally, the B port operates at GTLP signal levels. The A-port and control inputs operate at LVTTTL logic levels, but are 5-V tolerant and are compatible with TTL or 5-V CMOS devices.  $V_{REF}$  is the B-port differential input reference voltage.

This device is fully specified for live-insertion applications using  $I_{off}$ , power-up 3-state, and BIAS  $V_{CC}$ . The  $I_{off}$  circuitry disables the outputs, preventing damaging current backflow through the device when it is powered down. The power-up 3-state circuitry places the outputs in the high-impedance state during power up and power down, which prevents driver conflict. The BIAS  $V_{CC}$  circuitry precharges and preconditions the B-port input/output connections, preventing disturbance of active data on the backplane during card insertion or removal, and permits true live-insertion capability.

This GTLP device features TI-OPC circuitry, which actively limits the overshoot caused by improperly terminated backplanes, unevenly distributed cards, or empty slots during low-to-high signal transitions. This improves signal integrity, which allows adequate noise margin to be maintained at higher frequencies.

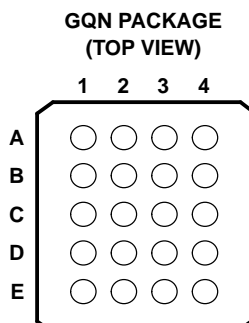
High-drive GTLP backplane interface devices feature adjustable edge-rate control (ERC). Changing the ERC input voltage between low and high adjusts the B-port output rise and fall times. This allows the designer to optimize system data-transfer rate and signal integrity to the backplane load.

When  $V_{CC}$  is between 0 and 1.5 V, the device is in the high-impedance state during power up or power down. However, to ensure the high-impedance state above 1.5 V, the output-enable ( $\overline{OE}$ ) input should be tied to  $V_{CC}$  through a pullup resistor; the minimum value of the resistor is determined by the current-sinking capability of the driver.

**ORDERING INFORMATION**

$T_A$	PACKAGE <sup>(1)</sup>		ORDERABLE PART NUMBER	TOP-SIDE MARKING
–40°C to 85°C	SOIC – DW	Tube	SN74GTLP21395DW	GTLP21395
		Tape and reel	SN74GTLP21395DWR	
	TSSOP – PW	Tape and reel	SN74GTLP21395PWR	GU395
	TVSOP – DGV	Tape and reel	SN74GTLP21395DGVR	GU395
	VFBGA – GQN	Tape and reel	SN74GTLP21395GQNR	GU395

(1) Package drawings, standard packing quantities, thermal data, symbolization, and PCB design guidelines are available at [www.ti.com/sc/package](http://www.ti.com/sc/package).

**TERMINAL ASSIGNMENTS**

	1	2	3	4
<b>A</b>	1T/ $\overline{C}$	1Y	$\overline{1OEY}$	2T/ $\overline{C}$
<b>B</b>	GND	GND	2Y	$\overline{2OEY}$
<b>C</b>	$V_{CC}$	$\overline{1OEAB}$	ERC	1B
<b>D</b>	GND	GND	1A	2B
<b>E</b>	$\overline{2OEAB}$	2A	BIAS $V_{CC}$	$V_{REF}$

## FUNCTIONAL DESCRIPTION

The output-enable ( $1\overline{OEAB}$ ,  $1\overline{OEBY}$ ) and polarity-control ( $1T/\overline{C}$ ) inputs control 1A, 1B, and 1Y.  $2\overline{OEAB}$ ,  $2\overline{OEBY}$ , and  $2T/\overline{C}$  control 2A, 2B, and 2Y.

$\overline{OEAB}$  controls the activity of the B port. When  $\overline{OEAB}$  is low, the B-port output is active. When  $\overline{OEAB}$  is high, the B-port output is disabled.

A separate LVTTTL A input and Y output provide a feedback path for control and diagnostics monitoring.  $\overline{OEBY}$  controls the Y output. When  $\overline{OEBY}$  is low, the Y output is active. When  $\overline{OEBY}$  is high, the Y output is disabled.

$T/\overline{C}$  selects polarity of data transmission in both directions. When  $T/\overline{C}$  is high, data transmission is true, and A data goes to the B bus and B data goes to the Y bus. When  $T/\overline{C}$  is low, data transmission is complementary, and inverted A data goes to the B bus and inverted B data goes to the Y bus.

## FUNCTION TABLES

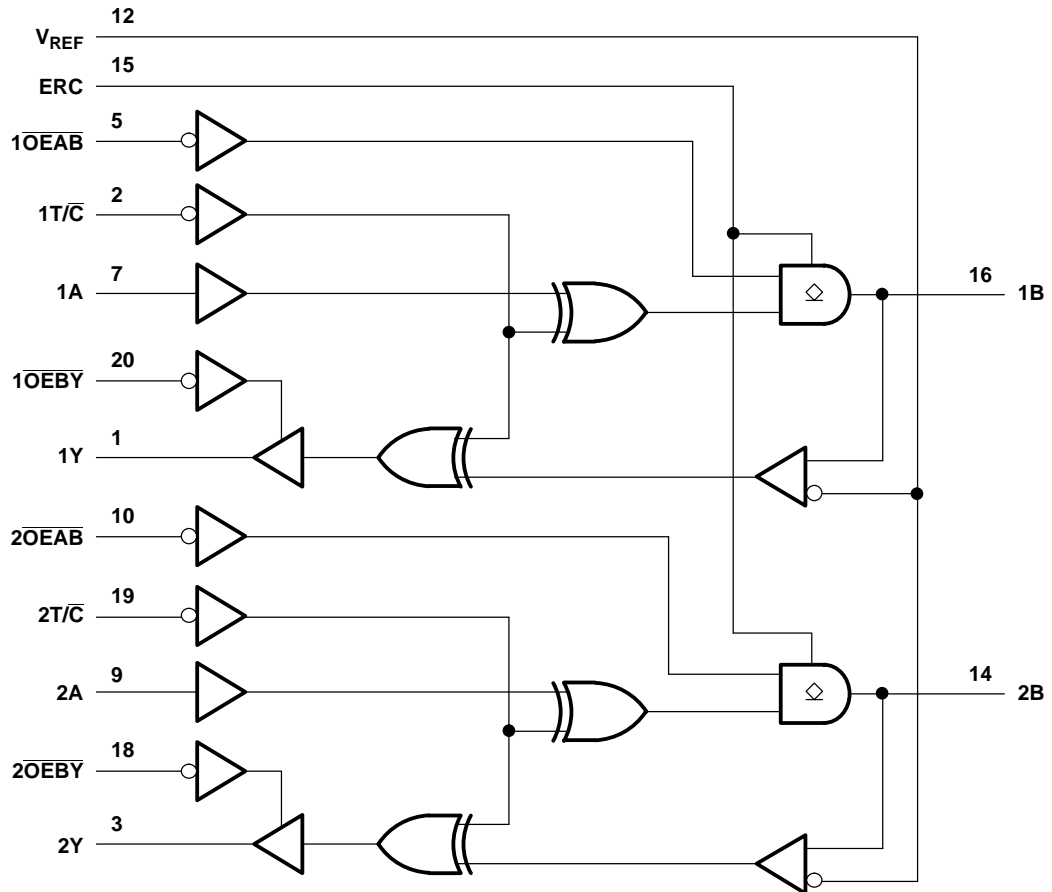
### OUTPUT CONTROL

INPUTS			OUTPUT	MODE
$T/\overline{C}$	$\overline{OEAB}$	$\overline{OEBY}$		
X	H	H	Z	Isolation
H	L	H	A data to B bus	True transparent
H	H	L	B data to Y bus	
H	L	L	A data to B bus, B data to Y bus	True transparent with feedback path
L	L	H	Inverted A data to B bus	Inverted transparent
L	H	L	Inverted B data to Y bus	
L	L	L	Inverted A data to B bus, Inverted B data to Y bus	Inverted transparent with feedback path

### OUTPUT EDGE-RATE CONTROL (ERC)

INPUT ERC LOGIC LEVEL	OUTPUT B-PORT EDGE RATE
H	Slow
L	Fast

## LOGIC DIAGRAM (POSITIVE LOGIC)



Pin numbers shown are for DGV, DW, and PW packages.

**Absolute Maximum Ratings<sup>(1)</sup>**

over operating free-air temperature range (unless otherwise noted)

		MIN	MAX	UNIT	
$V_{CC}$ BIAS $V_{CC}$	Supply voltage range	–0.5	4.6	V	
$V_I$	Input voltage range <sup>(2)</sup>	A-port, ERC, and control inputs	–0.5	7	V
		B port and $V_{REF}$	–0.5	4.6	
$V_O$	Voltage range applied to any output in the high-impedance or power-off state <sup>(2)</sup>	Y outputs	–0.5	7	V
		B port	–0.5	4.6	
$I_O$	Current into any output in the low state	Y outputs		24	mA
		B port		200	
$I_O$	Current into any output in the high state <sup>(3)</sup>		24	mA	
	Continuous current through each $V_{CC}$ or GND		±100	mA	
$I_{IK}$	Input clamp current	$V_I < 0$	–50	mA	
$I_{OK}$	Output clamp current	$V_O < 0$	–50	mA	
$\theta_{JA}$	Package thermal impedance <sup>(4)</sup>	DGV package		92	°C/W
		DW package		58	
		GQN package		78	
		PW package		83	
$T_{stg}$	Storage temperature range	–65	150	°C	

(1) Stresses beyond those listed under "absolute maximum ratings" may cause permanent damage to the device. These are stress ratings only, and functional operation of the device at these or any other conditions beyond those indicated under "recommended operating conditions" is not implied. Exposure to absolute-maximum-rated conditions for extended periods may affect device reliability.

(2) The input and output negative-voltage ratings may be exceeded if the input and output clamp-current ratings are observed.

(3) This current flows only when the output is in the high state and  $V_O > V_{CC}$ .

(4) The package thermal impedance is calculated in accordance with JESD 51-7.

Recommended Operating Conditions<sup>(1)(2)(3)(4)</sup>

		MIN	NOM	MAX	UNIT	
$V_{CC}$ BIAS $V_{CC}$	Supply voltage	3.15	3.3	3.45	V	
$V_{TT}$	Termination voltage	GTL	1.14	1.2	1.26	V
		GTLP	1.35	1.5	1.65	
$V_{REF}$	Reference voltage	GTL	0.74	0.8	0.87	V
		GTLP	0.87	1	1.1	
$V_I$	Input voltage	B port	$V_{TT}$		V	
		Except B port	$V_{CC}$			
$V_{IH}$	High-level input voltage	B port	$V_{REF} + 0.05$		V	
		Except B port	2		V	
$V_{IL}$	Low-level input voltage	B port	$V_{REF} - 0.05$		V	
		Except B port	0.8			
$I_{IK}$	Input clamp current				-18	mA
$I_{OH}$	High-level output current	Y outputs			-12	mA
$I_{OL}$	Low-level output current	Y outputs			12	mA
		B port			100	
$\Delta t/\Delta v$	Input transition rise or fall rate	Outputs enabled			10	ns/V
$\Delta t/\Delta V_{CC}$	Power-up ramp rate	20				$\mu$ s/V
$T_A$	Operating free-air temperature	-40			85	$^{\circ}$ C

- (1) All unused inputs of the device must be held at  $V_{CC}$  or GND to ensure proper device operation. Refer to the TI application report, *Implications of Slow or Floating CMOS Inputs*, literature number SCBA004.
- (2) Proper connection sequence for use of the B-port I/O precharge feature is GND and BIAS  $V_{CC} = 3.3$  V first, I/O second, and  $V_{CC} = 3.3$  V last, because the BIAS  $V_{CC}$  precharge circuitry is disabled when any  $V_{CC}$  pin is connected. The control and  $V_{REF}$  inputs can be connected anytime, but normally are connected during the I/O stage. If B-port precharge is not required, any connection sequence is acceptable but, generally, GND is connected first.
- (3)  $V_{TT}$  and  $R_{TT}$  can be adjusted to accommodate backplane impedances if the dc-recommended  $I_{OL}$  ratings are not exceeded.
- (4)  $V_{REF}$  can be adjusted to optimize noise margins, but normally it is two-thirds  $V_{TT}$ . TI-OPC is enabled in the A-to-B direction and is activated when  $V_{TT} > 0.7$  V above  $V_{REF}$ . If operated in the A-to-B direction,  $V_{REF}$  should be set to within 0.6 V of  $V_{TT}$  to minimize current drain.

## Electrical Characteristics

over recommended operating free-air temperature range for GTLP (unless otherwise noted)

PARAMETER		TEST CONDITIONS		MIN	TYP <sup>(1)</sup>	MAX	UNIT
$V_{IK}$		$V_{CC} = 3.15\text{ V}$ ,	$I_I = -18\text{ mA}$			-1.2	V
$V_{OH}$	Y outputs	$V_{CC} = 3.15\text{ V to }3.45\text{ V}$ ,	$I_{OH} = -100\text{ }\mu\text{A}$	$V_{CC} - 0.2$			V
		$V_{CC} = 3.15\text{ V}$	$I_{OH} = -6\text{ mA}$	2.4			
			$I_{OH} = -12\text{ mA}$	2			
$V_{OL}$	Y outputs	$V_{CC} = 3.15\text{ V to }3.45\text{ V}$ ,	$I_{OL} = 100\text{ }\mu\text{A}$			0.2	V
			$I_{OL} = 6\text{ mA}$			0.55	
		$V_{CC} = 3.15\text{ V}$	$I_{OL} = 12\text{ mA}$			0.8	
	B port	$V_{CC} = 3.15\text{ V}$	$I_{OL} = 10\text{ mA}$			0.2	
			$I_{OL} = 64\text{ mA}$			0.4	
			$I_{OL} = 100\text{ mA}$			0.55	
$I_I^{(2)}$	A-port and control inputs	$V_{CC} = 3.45\text{ V}$ ,	$V_I = 0\text{ to }5.5\text{ V}$			$\pm 10$	$\mu\text{A}$
$I_{OZ}^{(2)}$	Y outputs	$V_{CC} = 3.45\text{ V}$ ,	$V_O = 0\text{ to }5.5\text{ V}$			$\pm 10$	$\mu\text{A}$
	B port	$V_{CC} = 3.45\text{ V}$ , $V_{REF}$ within 0.6 V of $V_{TT}$ ,	$V_O = 0\text{ to }2.3\text{ V}$			$\pm 10$	
$I_{CC}$	Y outputs or B port	$V_{CC} = 3.45\text{ V}$ , $I_O = 0$ , $V_I$ (A or control inputs) = $V_{CC}$ or GND, $V_I$ (B port) = $V_{TT}$ or GND	Outputs high			20	mA
			Outputs low			20	
			Outputs disabled			20	
$\Delta I_{CC}^{(3)}$		$V_{CC} = 3.45\text{ V}$ , One A-port or control input at $V_{CC} - 0.6\text{ V}$ , Other A-port or control inputs at $V_{CC}$ or GND				1.5	mA
$C_i$	A-port inputs	$V_I = 3.15\text{ V or }0$			4	4.5	pF
	Control inputs				3.5	5	
$C_o$	Y outputs	$V_O = 3.15\text{ V or }0$			5	5.5	pF
$C_{io}$	B port	$V_O = 1.5\text{ V or }0$			7	10.5	pF

 (1) All typical values are at  $V_{CC} = 3.3\text{ V}$ ,  $T_A = 25^\circ\text{C}$ .

 (2) For I/O ports, the parameter  $I_{OZ}$  includes the input leakage current.

 (3) This is the increase in supply current for each input that is at the specified TTL voltage level, rather than  $V_{CC}$  or GND.

## Hot-Insertion Specifications for A Inputs and Y Outputs

over recommended operating free-air temperature range

PARAMETER	TEST CONDITIONS			MIN	MAX	UNIT
$I_{off}$	$V_{CC} = 0$ ,	$V_I$ or $V_O = 0\text{ to }5.5\text{ V}$		10		$\mu\text{A}$
$I_{OZPU}$	$V_{CC} = 0\text{ to }1.5\text{ V}$ ,	$V_O = 0.5\text{ V to }3\text{ V}$ ,	$\overline{OE}B\overline{Y} = 0$	$\pm 30$		$\mu\text{A}$
$I_{OZPD}$	$V_{CC} = 1.5\text{ V to }0$ ,	$V_O = 0.5\text{ V to }3\text{ V}$ ,	$\overline{OE}B\overline{Y} = 0$	$\pm 30$		$\mu\text{A}$

## Live-Insertion Specifications for B Port

over recommended operating free-air temperature range

PARAMETER	TEST CONDITIONS			MIN	MAX	UNIT
$I_{off}$	$V_{CC} = 0$ ,	BIAS $V_{CC} = 0$ ,	$V_I$ or $V_O = 0\text{ to }1.5\text{ V}$	10		$\mu\text{A}$
$I_{OZPU}$	$V_{CC} = 0\text{ to }1.5\text{ V}$ ,	BIAS $V_{CC} = 0$ ,	$V_O = 0.5\text{ V to }1.5\text{ V}$ , $\overline{OE}A\overline{B} = 0$	$\pm 30$		$\mu\text{A}$
$I_{OZPD}$	$V_{CC} = 1.5\text{ V to }0$ ,	BIAS $V_{CC} = 0$ ,	$V_O = 0.5\text{ V to }1.5\text{ V}$ , $\overline{OE}A\overline{B} = 0$	$\pm 30$		$\mu\text{A}$
$I_{CC}$ (BIAS $V_{CC}$ )	$V_{CC} = 0\text{ to }3.15\text{ V}$	BIAS $V_{CC} = 3.15\text{ V to }3.45\text{ V}$ ,	$V_O$ (B port) = $0\text{ to }1.5\text{ V}$	5		mA
	$V_{CC} = 3.15\text{ V to }3.45\text{ V}$			10		$\mu\text{A}$
$V_O$	$V_{CC} = 0$ ,	BIAS $V_{CC} = 3.3\text{ V}$ ,	$I_O = 0$	0.95	1.05	V
$I_O$	$V_{CC} = 0$ ,	BIAS $V_{CC} = 3.15\text{ V to }3.45\text{ V}$ ,	$V_O$ (B port) = $0.6\text{ V}$	-1		$\mu\text{A}$

## Switching Characteristics

over recommended ranges of supply voltage and operating free-air temperature,  
 $V_{TT} = 1.5\text{ V}$  and  $V_{REF} = 1\text{ V}$  for GTLP (see [Figure 1](#))

PARAMETER	FROM (INPUT)	TO (OUTPUT)	EDGE RATE <sup>(1)</sup>	MIN	TYP <sup>(2)</sup>	MAX	UNIT
$t_{PLH}$	A	B	Slow	3.6		6.2	ns
$t_{PHL}$				1.7	6		
$t_{PLH}$	A	B	Fast	2.7		5.3	ns
$t_{PHL}$				1.4	5		
$t_{PLH}$	A	Y	Slow	4		10.4	ns
$t_{PHL}$				3.8	9.8		
$t_{PLH}$	A	Y	Fast	3.6		9.3	ns
$t_{PHL}$				3.4	8.8		
$t_{PLH}$	T/ $\bar{C}$	B	Slow	3.5		6.6	ns
$t_{PHL}$				1.8	6.2		
$t_{PLH}$	T/ $\bar{C}$	B	Fast	1.4		5.6	ns
$t_{PHL}$				2.3	5.5		
$t_{en}$	$\overline{OEAB}$	B	Slow	3.7		6.4	ns
$t_{dis}$				1.5	6.2		
$t_{en}$	$\overline{OEAB}$	B	Fast	2.8		5.3	ns
$t_{dis}$				1.8	5.2		
$t_r$	Rise time, B outputs (20% to 80%)		Slow	2.5		ns	
			Fast	1.3			
$t_f$	Fall time, B outputs (80% to 20%)		Slow	3		ns	
			Fast	2.6			
$t_{PLH}$	B	Y		1.8	5.6	ns	
$t_{PHL}$			1.4	5.1			
$t_{PLH}$	T/ $\bar{C}$	Y		1.7	5.1	ns	
$t_{PHL}$			1.4	5.1			
$t_{en}$	$\overline{OEBY}$	Y		1	5.1	ns	
$t_{dis}$			1	4.8			

(1) Slow (ERC = H) and Fast (ERC = L)

(2) All typical values are at  $V_{CC} = 3.3\text{ V}$ ,  $T_A = 25^\circ\text{C}$ .



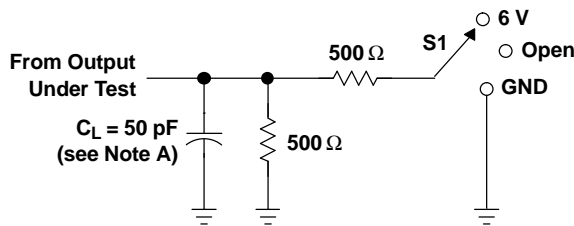
**Skew Characteristics<sup>(1)</sup>**

over recommended ranges of supply voltage and operating free-air temperature,  $V_{REF} = 1\text{ V}$ , standard lumped loads ( $C_L = 30\text{ pF}$  for B port and  $C_L = 50\text{ pF}$  for Y port) (unless otherwise noted) (see [Figure 1](#))

PARAMETER	FROM (INPUT)	TO (OUTPUT)	EDGE RATE <sup>(2)</sup>	MIN	MAX	UNIT
$t_{sk(LH)}^{(3)}$	A	B	Slow	0.3	0.4	ns
$t_{sk(HL)}^{(3)}$						
$t_{sk(LH)}^{(3)}$	A	B	Fast	0.3	0.3	ns
$t_{sk(HL)}^{(3)}$						
$t_{sk(LH)}^{(3)}$	B	Y		0.4	0.2	ns
$t_{sk(HL)}^{(3)}$						
$t_{sk(t)}^{(3)}$	A	B	Slow	1.8	1.5	ns
			Fast			
	B	Y		1		
$t_{sk(prLH)}^{(4)}$	A	B	Slow	0.7	2	ns
$t_{sk(prHL)}^{(4)}$						
$t_{sk(prLH)}^{(4)}$	A	B	Fast	0.5	1.7	ns
$t_{sk(prHL)}^{(4)}$						
$t_{sk(prLH)}^{(4)}$	B	Y		1.2	1.6	ns
$t_{sk(prHL)}^{(4)}$						

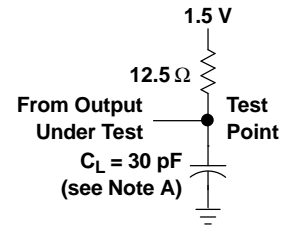
- (1) Actual skew values between GTLP outputs could vary on the backplane due to the loading and impedance seen by the device.
- (2) Slow (ERC = L) and Fast (ERC = H)
- (3)  $t_{sk(LH)}/t_{sk(HL)}$  and  $t_{sk(t)}$  – Output-to-output skew is defined as the absolute value of the difference between the actual propagation delay for all outputs with the same packaged device. The specifications are given for specific worst-case  $V_{CC}$  and temperature and apply to any outputs switching in the same direction, either high to low [ $t_{sk(HL)}$ ], low to high [ $t_{sk(LH)}$ ], or in opposite directions, both low to high and high to low [ $t_{sk(t)}$ ].
- (4)  $t_{sk(prLH)}/t_{sk(prHL)}$  – The magnitude of the difference in propagation delay times between corresponding terminals of two logic devices when both logic devices operate with the same supply voltages and at the same temperature, and have identical package types, identical specified loads, and identical logic functions. Furthermore, these values are provided by TI SPICE simulations.

PARAMETER MEASUREMENT INFORMATION

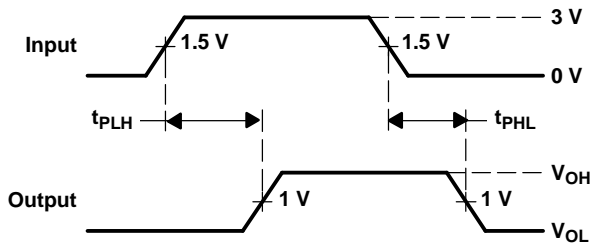


LOAD CIRCUIT FOR Y OUTPUTS

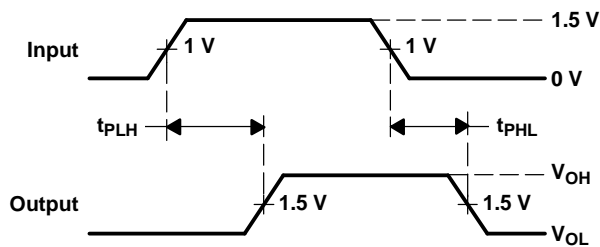
TEST	S1
$t_{PLH}/t_{PHL}$	Open
$t_{PLZ}/t_{PZL}$	6 V
$t_{PHZ}/t_{PZH}$	GND



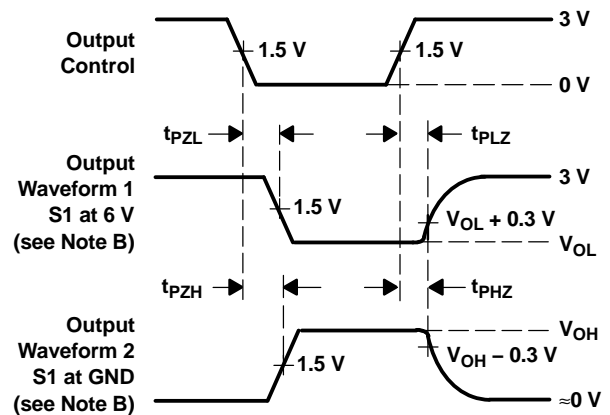
LOAD CIRCUIT FOR B OUTPUTS



VOLTAGE WAVEFORMS  
PROPAGATION DELAY TIMES  
(A input to B port)



VOLTAGE WAVEFORMS  
PROPAGATION DELAY TIMES  
(B port to Y output)



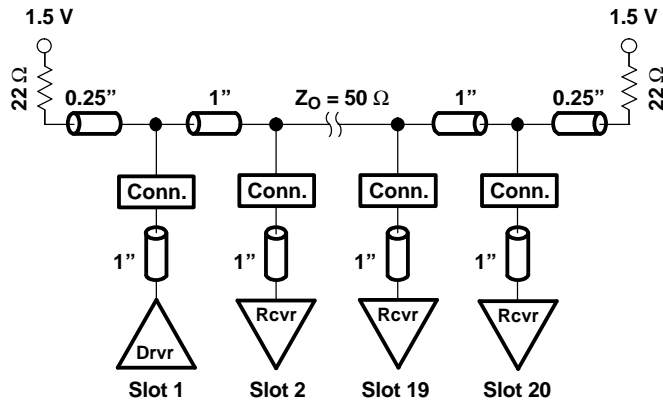
VOLTAGE WAVEFORMS  
ENABLE AND DISABLE TIMES  
(A input)

- NOTES:
- A.  $C_L$  includes probe and jig capacitance.
  - B. Waveform 1 is for an output with internal conditions such that the output is low, except when disabled by the output control. Waveform 2 is for an output with internal conditions such that the output is high, except when disabled by the output control.
  - C. All input pulses are supplied by generators having the following characteristics: PRR  $\approx$  10 MHz,  $Z_O = 50 \Omega$ ,  $t_r \approx 2$  ns,  $t_f \approx 2$  ns.
  - D. The outputs are measured one at a time, with one transition per measurement.

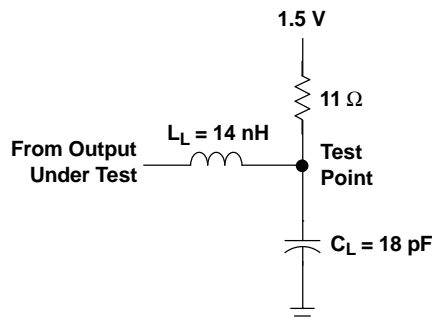
Figure 1. Load Circuits and Voltage Waveforms

### DISTRIBUTED-LOAD BACKPLANE SWITCHING CHARACTERISTICS

The preceding switching characteristics table shows the switching characteristics of the device into a lumped load (Figure 1). However, the designer's backplane application probably is a distributed load. The physical representation is shown in Figure 2. This backplane, or distributed load, can be approximated closely to a resistor inductance capacitance (RLC) circuit, as shown in Figure 3. This device has been designed for optimum performance in this RLC circuit. The following switching characteristics table shows the switching characteristics of the device into the RLC load, to help the designer better understand the performance of the GTLP device in the backplane. See [www.ti.com/sc/gtlp](http://www.ti.com/sc/gtlp) for more information.



**Figure 2. High-Drive Test Backplane**



**Figure 3. High-Drive RLC Network**

### Switching Characteristics

over recommended operating conditions for the bus transceiver function (unless otherwise noted) (see [Figure 3](#))

PARAMETER	FROM (INPUT)	TO (OUTPUT)	EDGE RATE <sup>(1)</sup>	TYP <sup>(2)</sup>	UNIT
$t_{PLH}$	A	B	Slow	4.3	ns
$t_{PHL}$				4.2	
$t_{PLH}$	A	B	Fast	3.8	ns
$t_{PHL}$				3.4	
$t_{PLH}$	A	Y	Slow	6.6	ns
$t_{PHL}$				6.5	
$t_{PLH}$	A	Y	Fast	6	ns
$t_{PHL}$				6	
$t_r$	Rise time, B outputs (20% to 80%)		Slow	1.5	ns
			Fast	1	
$t_f$	Fall time, B outputs (80% to 20%)		Slow	2.6	ns
			Fast	2	

(1) Slow (ERC = H) and Fast (ERC = L)

(2) All typical values are at  $V_{CC} = 3.3\text{ V}$ ,  $T_A = 25^\circ\text{C}$ . All values are derived from TI SPICE models.

## APPLICATION INFORMATION

### Operational Description

The GTLP21395 is designed specifically for use with the TI 1394 backplane layer controller family to transmit the 1394 backplane serial bus across parallel backplanes. But, it is a versatile two 1-bit device that also can provide multiple 1-bit clocks or an ATM read and write clock in multislot parallel backplane applications.

The 1394-1995 is an IEEE designation for a high-performance serial bus. This serial bus defines both a backplane (e.g., GTLP, VME, FB+, CPCI, etc.) physical layer and a point-to-point cable-connected virtual bus. The backplane version operates at 25, 50, or 100 Mbps, whereas the cable version supports data rates of 100, 200, and 400 Mbps. Both versions are compatible at the link layer and above. The interface standard defines the transmission method, media in the cable version, and protocol. The primary application of the cable version is the interconnection of digital A/V equipment and integration of I/O connectivity at the back panel of personal computers using a low-cost, scalable, high-speed serial interface. The primary application of the backplane version is to provide a robust control interface to each daughter card. The 1394 standard also provides new services such as real-time I/O and live connect/disconnect capability for external devices.

### Electrical

The 1394 standard is a transaction-based packet technology for cable- or backplane-based environments. Both chassis and peripheral devices can use this technology. The 1394 serial bus is organized as if it were memory space interconnected between devices, or as if devices resided in slots on the main backplane. Device addressing is 64 bits wide, partitioned as 10 bits for bus ID, 6 bits for node ID, and 48 bits for memory addresses. The result is the capability to address up to 1023 buses, each having up to 63 nodes and each with 281 terabytes of memory. Memory-based addressing, rather than channel addressing, views resources as registers or memory that can be accessed with processor-to-memory transactions. Each bus entity is termed a unit, to be individually addressed, reset, and identified. Multiple nodes can reside physically in a single module, and multiple ports can reside in a single node.

Some key features of the 1394 topology are multimaster capabilities, live connect/disconnect (hot plugging) capability, genderless cabling connectors on interconnect cabling, and dynamic node address allocation as nodes are added to the bus. A maximum of 63 nodes can be connected to one network.

The cable-based physical interface uses dc-level line states for signaling during initialization and arbitration. Both environments use dominant mode addresses for arbitration. The backplane environment does not have the initialization requirements of the cable environment because it is a physical bus and does not contain repeaters. Due to the differences, a backplane-to-cable bridge is required to connect these two environments.

The signals transmitted on both the cable and backplane environments are NRZ with data-strobe (DS) encoding. DS encoding allows only one of the two signal lines to change each data-bit period, essentially doubling the jitter tolerance with very little additional circuitry overhead in the hardware.

## APPLICATION INFORMATION

### Protocol

Both asynchronous and isochronous data transfers are supported. The asynchronous format transfers data and transaction layer information to an explicit address. The isochronous format broadcasts data based on channel numbers, rather than specific addressing. Isochronous packets are issued on the average of each 125  $\mu$ s in support of time-sensitive applications. Providing both asynchronous and isochronous formats on the same interface allows both non-real-time and real-time critical applications on the same bus. The cable environment's tree topology is resolved during a sequence of events, triggered each time a new node is added or removed from the network. This sequence starts with a bus reset phase, where previous information about a topology is cleared. The tree ID sequence determines the actual tree structure, and a root node is dynamically assigned, or it is possible to force a particular node to become the root. After the tree is formed, a self-ID phase allows each node on the network to identify itself to all other nodes. During the self-ID process, each node is assigned an address. After all the information has been gathered on each node, the bus goes into an idle state, waiting for the beginning of the standard arbitration process.

The backplane physical layer shares some commonality with the cable physical layer. Common functions include: bus-state determination, bus-access protocols, encoding and decoding functions, and synchronization of received data to a local clock.

### Backplane Features

- 25-, 50-, and 100-Mbps data rates for backplane environments
- Live connection/disconnection possible without data loss or interruption
- Configuration ROM and status registers supporting plug and play
- Multidrop or point-to-point topologies supported.
- Specified bandwidth assignments for real-time applications

### Applicability and Typical Application for IEEE 1394 Backplane

The 1394 backplane serial bus (BPSB) plays a supportive role in backplane systems, specifically GTLP, FutureBus+, VME64, and proprietary backplane bus systems. This supportive role can be grouped into three categories:

- Diagnostics
  - Alternate control path to the parallel backplane bus
  - Test, maintenance, and troubleshooting
  - Software debug and support interface
- System enhancement
  - Fault tolerance
  - Live insertion
  - CSR access
  - Auxiliary 2-bit bus with a 64-bit address space to the parallel backplane bus
- Peripheral monitoring
  - Monitoring of peripherals (disk drives, fans, power supplies, etc.) in conjunction with another externally wired monitor bus, such as defined by the Intelligent Platform Management Interface (IPMI)

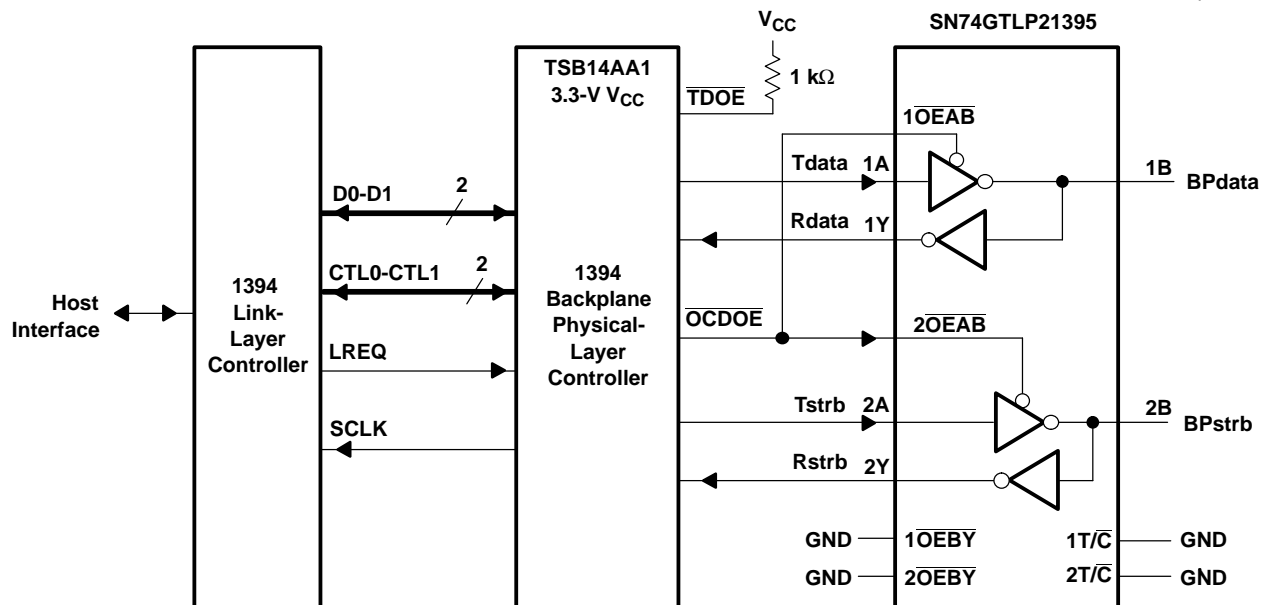
The 1394 backplane physical layer (PHY) and the SN74GTLP21395 provide a cost-effective way to add high-speed 1394 connections to every daughter card in almost any backplane. More information on the backplane PHY devices and how to implement the 1394 standard in backplane and cable applications can be found at [www.ti.com/sc/1394](http://www.ti.com/sc/1394).

## APPLICATION INFORMATION

### SN74GTLP21395 Interface With the TSB14AA1 1394 Backplane PHY

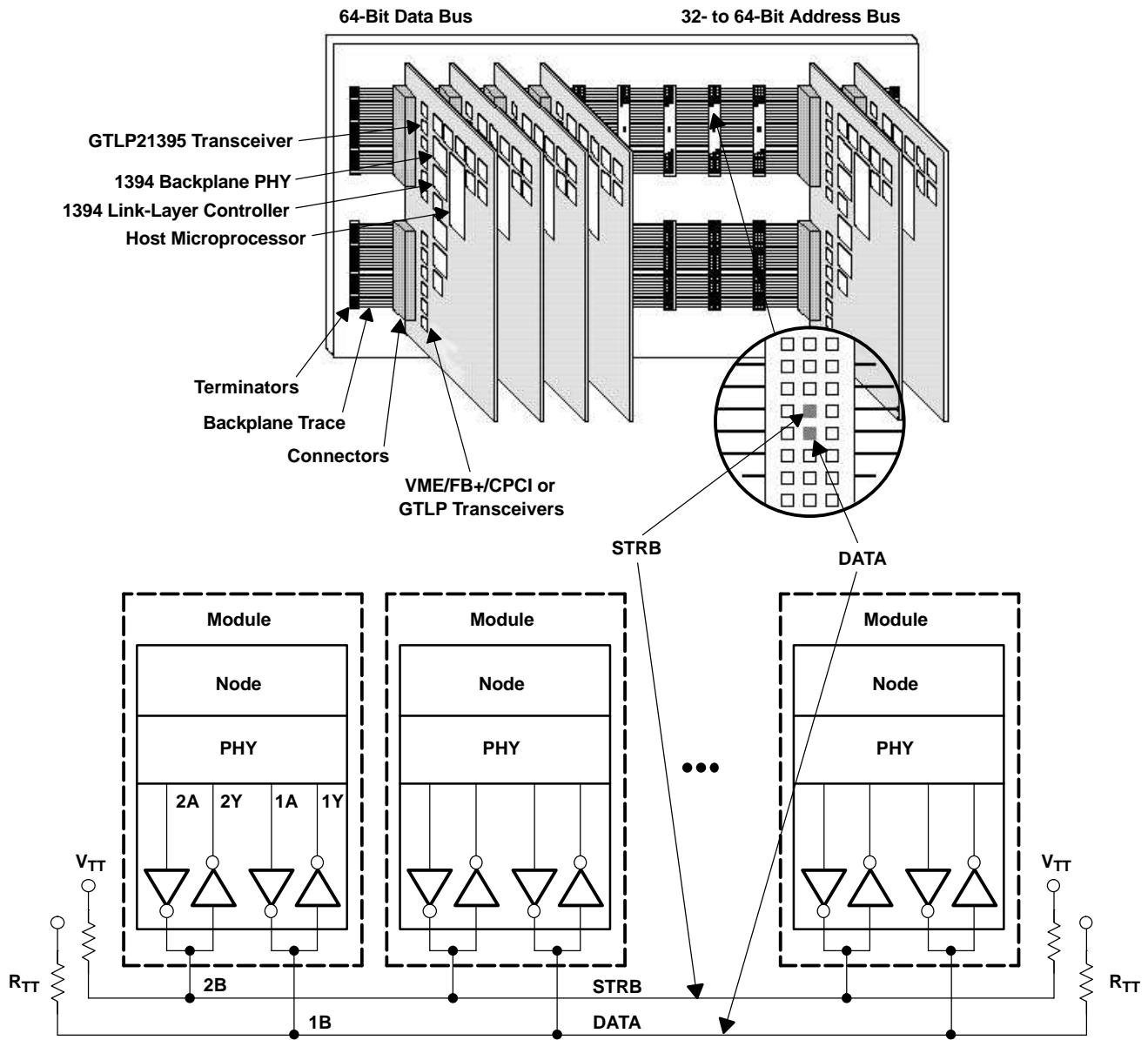
- 1A, 1B, and 1Y are used for the PHY data signals.
- 2A, 2B, and 2Y are used for the PHY strobe signals.
- PHY N\_OEB\_D or  $\overline{\text{OCDOE}}$  connects to  $1\overline{\text{OEAB}}$  and  $2\overline{\text{OEAB}}$ , which control the PHY transmit signals.
- $1\overline{\text{OEBY}}$  and  $2\overline{\text{OEBY}}$  are connected to GND because the transceiver always must be able to receive signals from the backplane and relay them to the PHY.
- $1\overline{\text{T/C}}$  and  $2\overline{\text{T/C}}$  are connected to GND for inverted signals.
- $V_{\text{CC}}$  is nominal 3.3 V.
- BIAS  $V_{\text{CC}}$  is connected to nominal 3.3 V to support live insertion.
- $V_{\text{REF}}$  normally is 2/3 of  $V_{\text{TT}}$ .
- ERC normally is connected to  $V_{\text{CC}}$  for slow edge-rate operation because frequencies of only 50 MHz (S100) and 25 MHz (S50) are required.

### Logical Representation



APPLICATION INFORMATION

Physical Representation





**PACKAGING INFORMATION**

Orderable part number	Status (1)	Material type (2)	Package   Pins	Package qty   Carrier	RoHS (3)	Lead finish/ Ball material (4)	MSL rating/ Peak reflow (5)	Op temp (°C)	Part marking (6)
<a href="#">SN74GTLP21395DW</a>	Active	Production	SOIC (DW)   20	25   TUBE	Yes	NIPDAU	Level-1-260C-UNLIM	-40 to 85	GTLP21395
SN74GTLP21395DW.B	Active	Production	SOIC (DW)   20	25   TUBE	Yes	NIPDAU	Level-1-260C-UNLIM	-40 to 85	GTLP21395
<a href="#">SN74GTLP21395PWR</a>	Active	Production	TSSOP (PW)   20	2000   LARGE T&R	Yes	NIPDAU	Level-1-260C-UNLIM	-40 to 85	GU395
SN74GTLP21395PWR.B	Active	Production	TSSOP (PW)   20	2000   LARGE T&R	Yes	NIPDAU	Level-1-260C-UNLIM	-40 to 85	GU395

(1) **Status:** For more details on status, see our [product life cycle](#).

(2) **Material type:** When designated, preproduction parts are prototypes/experimental devices, and are not yet approved or released for full production. Testing and final process, including without limitation quality assurance, reliability performance testing, and/or process qualification, may not yet be complete, and this item is subject to further changes or possible discontinuation. If available for ordering, purchases will be subject to an additional waiver at checkout, and are intended for early internal evaluation purposes only. These items are sold without warranties of any kind.

(3) **RoHS values:** Yes, No, RoHS Exempt. See the [TI RoHS Statement](#) for additional information and value definition.

(4) **Lead finish/Ball material:** Parts may have multiple material finish options. Finish options are separated by a vertical ruled line. Lead finish/Ball material values may wrap to two lines if the finish value exceeds the maximum column width.

(5) **MSL rating/Peak reflow:** The moisture sensitivity level ratings and peak solder (reflow) temperatures. In the event that a part has multiple moisture sensitivity ratings, only the lowest level per JEDEC standards is shown. Refer to the shipping label for the actual reflow temperature that will be used to mount the part to the printed circuit board.

(6) **Part marking:** There may be an additional marking, which relates to the logo, the lot trace code information, or the environmental category of the part.

Multiple part markings will be inside parentheses. Only one part marking contained in parentheses and separated by a "~" will appear on a part. If a line is indented then it is a continuation of the previous line and the two combined represent the entire part marking for that device.

**Important Information and Disclaimer:** The information provided on this page represents TI's knowledge and belief as of the date that it is provided. TI bases its knowledge and belief on information provided by third parties, and makes no representation or warranty as to the accuracy of such information. Efforts are underway to better integrate information from third parties. TI has taken and continues to take reasonable steps to provide representative and accurate information but may not have conducted destructive testing or chemical analysis on incoming materials and chemicals. TI and TI suppliers consider certain information to be proprietary, and thus CAS numbers and other limited information may not be available for release.

In no event shall TI's liability arising out of such information exceed the total purchase price of the TI part(s) at issue in this document sold by TI to Customer on an annual basis.

**TAPE AND REEL INFORMATION**

**QUADRANT ASSIGNMENTS FOR PIN 1 ORIENTATION IN TAPE**


\*All dimensions are nominal

Device	Package Type	Package Drawing	Pins	SPQ	Reel Diameter (mm)	Reel Width W1 (mm)	A0 (mm)	B0 (mm)	K0 (mm)	P1 (mm)	W (mm)	Pin1 Quadrant
SN74GTL21395PWR	TSSOP	PW	20	2000	330.0	16.4	6.95	7.0	1.4	8.0	16.0	Q1

**TAPE AND REEL BOX DIMENSIONS**


\*All dimensions are nominal

Device	Package Type	Package Drawing	Pins	SPQ	Length (mm)	Width (mm)	Height (mm)
SN74GTLP21395PWR	TSSOP	PW	20	2000	353.0	353.0	32.0

**TUBE**


\*All dimensions are nominal

Device	Package Name	Package Type	Pins	SPQ	L (mm)	W (mm)	T (μm)	B (mm)
SN74GTLP21395DW	DW	SOIC	20	25	507	12.83	5080	6.6
SN74GTLP21395DW.B	DW	SOIC	20	25	507	12.83	5080	6.6

# PW0020A



# PACKAGE OUTLINE

## TSSOP - 1.2 mm max height

SMALL OUTLINE PACKAGE



4220206/A 02/2017

### NOTES:

1. All linear dimensions are in millimeters. Any dimensions in parenthesis are for reference only. Dimensioning and tolerancing per ASME Y14.5M.
2. This drawing is subject to change without notice.
3. This dimension does not include mold flash, protrusions, or gate burrs. Mold flash, protrusions, or gate burrs shall not exceed 0.15 mm per side.
4. This dimension does not include interlead flash. Interlead flash shall not exceed 0.25 mm per side.
5. Reference JEDEC registration MO-153.

# EXAMPLE BOARD LAYOUT

PW0020A

TSSOP - 1.2 mm max height

SMALL OUTLINE PACKAGE



LAND PATTERN EXAMPLE  
EXPOSED METAL SHOWN  
SCALE: 10X



SOLDER MASK DETAILS

4220206/A 02/2017

NOTES: (continued)

- 6. Publication IPC-7351 may have alternate designs.
- 7. Solder mask tolerances between and around signal pads can vary based on board fabrication site.

# EXAMPLE STENCIL DESIGN

PW0020A

TSSOP - 1.2 mm max height

SMALL OUTLINE PACKAGE



SOLDER PASTE EXAMPLE  
BASED ON 0.125 mm THICK STENCIL  
SCALE: 10X

4220206/A 02/2017

NOTES: (continued)

8. Laser cutting apertures with trapezoidal walls and rounded corners may offer better paste release. IPC-7525 may have alternate design recommendations.
9. Board assembly site may have different recommendations for stencil design.

# DW0020A



# PACKAGE OUTLINE

## SOIC - 2.65 mm max height

SOIC



### NOTES:

1. All linear dimensions are in millimeters. Dimensions in parenthesis are for reference only. Dimensioning and tolerancing per ASME Y14.5M.
2. This drawing is subject to change without notice.
3. This dimension does not include mold flash, protrusions, or gate burrs. Mold flash, protrusions, or gate burrs shall not exceed 0.15 mm per side.
4. This dimension does not include interlead flash. Interlead flash shall not exceed 0.43 mm per side.
5. Reference JEDEC registration MS-013.



# EXAMPLE BOARD LAYOUT

DW0020A

SOIC - 2.65 mm max height

SOIC



LAND PATTERN EXAMPLE  
SCALE:6X



SOLDER MASK DETAILS

4220724/A 05/2016

NOTES: (continued)

- 6. Publication IPC-7351 may have alternate designs.
- 7. Solder mask tolerances between and around signal pads can vary based on board fabrication site.

# EXAMPLE STENCIL DESIGN

DW0020A

SOIC - 2.65 mm max height

SOIC



SOLDER PASTE EXAMPLE  
BASED ON 0.125 mm THICK STENCIL  
SCALE:6X

4220724/A 05/2016

NOTES: (continued)

8. Laser cutting apertures with trapezoidal walls and rounded corners may offer better paste release. IPC-7525 may have alternate design recommendations.
9. Board assembly site may have different recommendations for stencil design.

## IMPORTANT NOTICE AND DISCLAIMER

TI PROVIDES TECHNICAL AND RELIABILITY DATA (INCLUDING DATASHEETS), DESIGN RESOURCES (INCLUDING REFERENCE DESIGNS), APPLICATION OR OTHER DESIGN ADVICE, WEB TOOLS, SAFETY INFORMATION, AND OTHER RESOURCES "AS IS" AND WITH ALL FAULTS, AND DISCLAIMS ALL WARRANTIES, EXPRESS AND IMPLIED, INCLUDING WITHOUT LIMITATION ANY IMPLIED WARRANTIES OF MERCHANTABILITY, FITNESS FOR A PARTICULAR PURPOSE OR NON-INFRINGEMENT OF THIRD PARTY INTELLECTUAL PROPERTY RIGHTS.

These resources are intended for skilled developers designing with TI products. You are solely responsible for (1) selecting the appropriate TI products for your application, (2) designing, validating and testing your application, and (3) ensuring your application meets applicable standards, and any other safety, security, regulatory or other requirements.

These resources are subject to change without notice. TI grants you permission to use these resources only for development of an application that uses the TI products described in the resource. Other reproduction and display of these resources is prohibited. No license is granted to any other TI intellectual property right or to any third party intellectual property right. TI disclaims responsibility for, and you fully indemnify TI and its representatives against any claims, damages, costs, losses, and liabilities arising out of your use of these resources.

TI's products are provided subject to [TI's Terms of Sale](#), [TI's General Quality Guidelines](#), or other applicable terms available either on [ti.com](http://ti.com) or provided in conjunction with such TI products. TI's provision of these resources does not expand or otherwise alter TI's applicable warranties or warranty disclaimers for TI products. Unless TI explicitly designates a product as custom or customer-specified, TI products are standard, catalog, general purpose devices.

TI objects to and rejects any additional or different terms you may propose.

Copyright © 2025, Texas Instruments Incorporated

Last updated 10/2025