

# THVD1400V 3-V to 5.5-V RS-485 Transceiver with Flexible I/O Supply, Slew Rate Control and Integrated IEC ESD Protection

## 1 Features

- Meets or exceeds the requirements of the TIA/EIA-485A standard
- 3-V to 5.5-V RS-485 Supply voltage
- Differential output exceeds 2.1 V for PROFIBUS compatibility with 5-V supply
- 1.65 V to 5.5 V Supply for logic signal interface
- Half-duplex RS-422/RS-485
- Maximum Data rate configurable
  - SLR = High: 500 kbps
  - SLR = Low or floating: 20 Mbps
- Bus I/O protection
  - ±16-kV HBM ESD
  - ±12-kV IEC 61000-4-2 Contact discharge
  - ±12-kV IEC 61000-4-2 Air gap discharge
  - ±4-kV IEC 61000-4-4 Fast transient burst
  - ±16-V bus fault protection (absolute maximum voltage on bus pins)
- Extended industrial temperature range: -40°C to 125°C
- Low power consumption
  - Shutdown supply current < 5 µA
  - Quiescent current during operation < 3 mA
- Glitch-free power-up/power-down for hot plug-in capability
- Open, short, and idle bus failsafe
- 1/8 Unit load (Up to 256 bus nodes)
- Small, space-saving thermally efficient 10-pin VSON package (3 mm x 3 mm)

## 2 Applications

- [Factory automation & control](#)
- [Building automation](#)
- [Motor drives](#)
- [Power delivery](#)
- [Industrial transport](#)
- [HVAC systems](#)
- [Smart meters](#)
- [Communication Infrastructure](#)

## 3 Description

The THVD1400V is a half-duplex RS-422/RS-485 transceiver for industrial applications. The device has features such as 3 to 5.5 V bus supply, 1.65 V to 5.5 V low level logic interface support. This device has slew rate select feature that enables it to be used at two maximum speeds based on the SLR pin setting.

Separate logic supply pin eliminates the need for an additional level shifter when the MCU and RS-485 transceivers are operating with different supplies. The bus pins are immune to high levels of IEC Contact Discharge ESD events eliminating the need for additional system level protection components. The wide common-mode voltage range and low input leakage on bus pins makes the device suitable for multi-point applications over long cable runs.

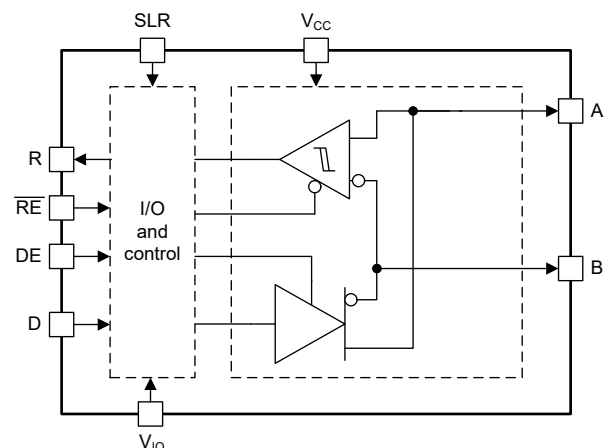
THVD1400V is available in space-saving thermally efficient 10-VSON package (3 mm x 3 mm). The device is characterized for ambient temperature from -40°C to 125°C.

### Package Information

PART NUMBER	PACKAGE <sup>(1)</sup>	PACKAGE SIZE <sup>(2)</sup>
THVD1400V	VSON (10)	3 mm x 3 mm

(1) For more information, see [Section 11](#).

(2) The package size (length × width) is a nominal value and includes pins, where applicable.



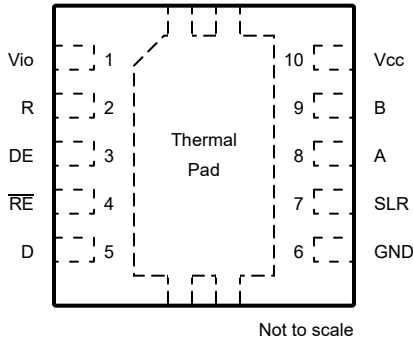
**Simplified Application**



## Table of Contents

<b>1 Features</b> .....	1	7.2 Functional Block Diagrams.....	14
<b>2 Applications</b> .....	1	7.3 Feature Description.....	14
<b>3 Description</b> .....	1	7.4 Device Functional Modes.....	14
<b>4 Pin Configuration and Functions</b> .....	3	<b>8 Application Information Disclaimer</b> .....	16
<b>5 Specifications</b> .....	4	8.1 Application Information.....	16
5.1 Absolute Maximum Ratings.....	4	8.2 Typical Application.....	16
5.2 ESD Ratings .....	4	8.3 Power Supply Recommendations.....	22
5.3 ESD Ratings [IEC].....	4	8.4 Layout.....	22
5.4 Recommended Operating Conditions.....	5	<b>9 Device and Documentation Support</b> .....	23
5.5 Thermal Information.....	5	9.1 Device Support.....	23
5.6 Power Dissipation.....	5	9.2 Receiving Notification of Documentation Updates... 23	
5.7 Electrical Characteristics.....	6	9.3 Support Resources.....	23
5.8 Switching Characteristics_500 kbps.....	8	9.4 Trademarks.....	23
5.9 Switching Characteristics_20 Mbps.....	9	9.5 Electrostatic Discharge Caution.....	23
5.10 Typical Characteristics.....	10	9.6 Glossary.....	23
<b>6 Parameter Measurement Information</b> .....	12	<b>10 Revision History</b> .....	23
<b>7 Detailed Description</b> .....	14	<b>11 Mechanical, Packaging, and Orderable Information</b> .....	23
7.1 Overview.....	14		

## 4 Pin Configuration and Functions



**Figure 4-1. VSON (DRC) Package, 10-Pins (Top View)**

**Table 4-1. Pin Functions**

PIN		TYPE	DESCRIPTION
NAME	NO.		
V <sub>IO</sub>	1	Logic Supply	Supply for logic I/O signals (R, RE, D, DE, and SLR)
R	2	Digital output	Logic output RS-485 data
DE	3	Digital input	Driver enable/disable. Internal pull-down. Driver disabled by default
RE	4	Digital input	Receiver enable/disable. Internal pull-up. Receiver disabled by default
D	5	Digital input	Logic input RS485 data. Internal pull-up. Drives the bus high by default if driver is enabled
GND	6	GND	Ground
SLR	7	Digital input	Slew rate control. Internal pull-down, default 20 Mbps operation. Logic high SLR enables slow speed (500 kbps)
A	8	Bus input/output	RS-485 bus pin. This pin is non-inverting driver output or non-inverting receiver input
B	9	Bus input/output	RS-485 bus pin. This pin is inverting driver output or inverting receiver input
V <sub>CC</sub>	10	Power	3 V to 5.5 V supply
Thermal Pad		--	Connect to GND for optimal thermal and electrical performance

## 5 Specifications

### 5.1 Absolute Maximum Ratings

over operating free-air temperature range (unless otherwise noted) <sup>(1)</sup> <sup>(2)</sup>

		MIN	MAX	UNIT
Logic supply voltage	$V_{IO}$	-0.5	7	V
Supply voltage	$V_{CC}$	-0.5	7	V
Bus voltage	Voltage at any bus pin (A or B) with respect to GND	-16	16	V
Differential bus voltage	Max differential voltage between A and B $V_{DIFF} = (A - B)$	-16	16	V
Input voltage	Range at any logic pin (D, DE, SLR, or $\overline{RE}$ )	-0.3	$V_{IO} + 0.2, 7$	V
Receiver output current	$I_O$	-24	24	mA
Storage temperature	$T_{stg}$	-65	150	°C

- (1) Operation outside the Absolute Maximum Ratings may cause permanent device damage. Absolute Maximum Ratings do not imply functional operation of the device at these or any other conditions beyond those listed under Recommended Operating Conditions. If used outside the Recommended Operating Conditions but within the Absolute Maximum Ratings, the device may not be fully functional, and this may affect device reliability, functionality, performance, and shorten the device lifetime.
- (2) All voltage values, except differential I/O bus voltages, are with respect to ground terminal.

### 5.2 ESD Ratings

			VALUE	UNIT	
$V_{(ESD)}$	Electrostatic discharge	Human-body model (HBM), per ANSI/ESDA/ JEDEC JS-001 <sup>(1)</sup>	Bus terminals (A, B) and GND	±16,000	V
			All pins except bus terminals and GND	±4,000	V
		Charged-device model (CDM), per JEDEC specification JESD22-C101 <sup>(2)</sup>	±1,500	V	

- (1) JEDEC document JEP155 states that 500-V HBM allows safe manufacturing with a standard ESD control process.
- (2) JEDEC document JEP157 states that 250-V CDM allows safe manufacturing with a standard ESD control process.

### 5.3 ESD Ratings [IEC]

				VALUE	UNIT
$V_{(ESD)}$	Electrostatic discharge	Contact discharge, per IEC 61000-4-2	Bus terminals and GND	±12,000	V
		Air-gap discharge, per IEC 61000-4-2	Bus terminals and GND		
$V_{(EFT)}$	Electrical fast transient	Per IEC 61000-4-4	Bus terminals	±4,000	V

## 5.4 Recommended Operating Conditions

over operating free-air temperature range (unless otherwise noted)

		MIN	NOM	MAX	UNIT
V <sub>CC</sub>	Supply voltage	3		5.5	V
V <sub>IO</sub>	I/O supply voltage	1.65		5.5	V
V <sub>I</sub>	Input voltage at any bus terminal (separately or common mode) <sup>(1)</sup>	-7		12	V
V <sub>IH</sub>	High-level input voltage (D, DE, RE, SLR inputs)	0.7*V <sub>IO</sub>		V <sub>IO</sub>	V
V <sub>IL</sub>	Low-level input voltage (D, DE, RE, SLR inputs)	0		0.3*V <sub>IO</sub>	V
I <sub>O</sub>	Output current, driver	-60		60	mA
I <sub>OR</sub>	Output current, receiver		V <sub>IO</sub> = 1.8 V or 2.5 V	4	mA
I <sub>OR</sub>	Output current, receiver		V <sub>IO</sub> = 3.3 V or 5 V	8	mA
R <sub>L</sub>	Differential load resistance	54	60		Ω
1/t <sub>UI</sub>	Signaling rate	SLR = V <sub>IO</sub>		500	kbps
		SLR = GND or floating		20	Mbps
T <sub>A</sub> <sup>(2)</sup>	Operating ambient temperature	-40		125	°C
T <sub>J</sub> <sup>(2)</sup>	Junction temperature	-40		150	°C

- (1) The algebraic convention, in which the least positive (most negative) limit is designated as minimum is used in this data sheet.  
(2) Operation is specified for internal (junction) temperatures upto 150°C. Self-heating due to internal power dissipation should be considered for each application. Maximum junction temperature is internally limited by the thermal shut-down (TSD) circuit which disables the driver outputs when the junction temperature reaches typical 170°C.

## 5.5 Thermal Information

THERMAL METRIC <sup>(1)</sup>		THVD1400V	UNIT
		DRC (VSON)	
		10 PINS	
R <sub>θJA</sub>	Junction-to-ambient thermal resistance	53.3	°C/W
R <sub>θJC(top)</sub>	Junction-to-case (top) thermal resistance	60.0	°C/W
R <sub>θJB</sub>	Junction-to-board thermal resistance	26.6	°C/W
ψ <sub>JT</sub>	Junction-to-top characterization parameter	2.5	°C/W
ψ <sub>JB</sub>	Junction-to-board characterization parameter	26.5	°C/W
R <sub>θJC(bot)</sub>	Junction-to-case (bottom) thermal resistance	10.4	°C/W

- (1) For more information about traditional and new thermalmetrics, see the see the [Semiconductor and IC Package Thermal Metrics](#) application report.

## 5.6 Power Dissipation

PARAMETER		TEST CONDITIONS		Typical	Max	UNIT	
P <sub>D</sub>	Driver and receiver enabled, V <sub>CC</sub> = 5.5 V, T <sub>A</sub> = 125 °C, D = square wave 50% duty	Unterminated; R <sub>L</sub> = 300 Ω, C <sub>L</sub> = 50 pF	SLR = H	500 kbps	60	100	mW
			SLR = L	20Mbps	180	220	mW
P <sub>D</sub>	Driver and receiver enabled, V <sub>CC</sub> = 5.5 V, T <sub>A</sub> = 125 °C, D = square wave 50% duty	RS-422 load; R <sub>L</sub> = 100 Ω, C <sub>L</sub> = 50 pF	SLR = H	500 kbps	100	150	mW
			SLR = L	20Mbps	200	250	mW
P <sub>D</sub>	Driver and receiver enabled, V <sub>CC</sub> = 5.5 V, T <sub>A</sub> = 125 °C, D = square wave 50% duty	RS-485 load; R <sub>L</sub> = 54 Ω, C <sub>L</sub> = 50 pF	SLR = H	500 kbps	175	230	mW
			SLR = L	20Mbps	250	300	mW

## 5.7 Electrical Characteristics

over operating free-air temperature range (unless otherwise noted). All typical values are at 25°C and supply voltage of  $V_{CC} = 5\text{ V}$  and  $V_{IO} = 3.3\text{ V}$ , unless otherwise noted.

PARAMETER		TEST CONDITIONS		MIN	TYP	MAX	UNIT
<b>Driver</b>							
V <sub>OD</sub>	Driver differential output voltage magnitude	R <sub>L</sub> = 60 Ω, -7 V ≤ V <sub>test</sub> ≤ 12 V (See Figure 6-1)		1.5	3.3		V
		R <sub>L</sub> = 60 Ω, -7 V ≤ V <sub>test</sub> ≤ 12 V, 4.5 V ≤ V <sub>CC</sub> ≤ 5.5 V (See Figure 6-1)		2.1	3.3		V
		R <sub>L</sub> = 100 Ω (See Figure 6-2)		2	4		V
		R <sub>L</sub> = 54 Ω, 4.5 V ≤ V <sub>CC</sub> ≤ 5.5 V (See Figure 6-2)		2.1	3.3		V
		R <sub>L</sub> = 54 Ω (See Figure 6-2)		1.5	3.3		V
Δ V <sub>OD</sub>	Change in magnitude of differential output voltage	R <sub>L</sub> = 54 Ω or 100 Ω (See Figure 6-2)		-50		50	mV
V <sub>OC</sub>	Common-mode output voltage	R <sub>L</sub> = 54 Ω or 100 Ω (See Figure 6-2)			V <sub>CC</sub> /2	3	V
ΔV <sub>OC(SS)</sub>	Change in steady-state common-mode output voltage	R <sub>L</sub> = 54 Ω or 100 Ω (See Figure 6-2)		-50		50	mV
V <sub>OC(PP)</sub>	Peak-to-peak common-mode output voltage	R <sub>L</sub> = 54 Ω, V <sub>CC</sub> = 3.3 V, DE = H, D = 20 Mbps square wave (See Figure 6-2)			375		mV
I <sub>OS</sub>	Short-circuit output current	DE = V <sub>IO</sub> , -7 V ≤ (V <sub>A</sub> or V <sub>B</sub> ) ≤ 12 V, or A shorted to B		-250		250	mA
<b>Receiver</b>							
I <sub>I</sub>	Bus input current	DE = 0 V, V <sub>CC</sub> and V <sub>IO</sub> = 0 V or 5.5 V	V <sub>I</sub> = 12 V		85	100	μA
			V <sub>I</sub> = -7 V	-100	-70		μA
V <sub>TH+</sub>	Positive-going input threshold voltage <sup>(1)</sup>	Over common-mode range of -7 V to 12 V			-85	-45	mV
V <sub>TH-</sub>	Negative-going input threshold voltage <sup>(1)</sup>			-200	-150		mV
V <sub>HYS</sub>	Input hysteresis			25	50		mV
C <sub>A,B</sub>	Input differential capacitance	Measured between A and B, f = 1 MHz			20		pF
V <sub>OH</sub>	Output high voltage	I <sub>OH</sub> = -8 mA, V <sub>IO</sub> = 3 to 3.6 V or 4.5 V to 5.5 V		V <sub>IO</sub> - 0.4	V <sub>IO</sub> - 0.2		V
V <sub>OL</sub>	Output low voltage	I <sub>OL</sub> = 8 mA, V <sub>IO</sub> = 3 to 3.6 V or 4.5 V to 5.5 V			0.2	0.4	V
V <sub>OH</sub>	Output high voltage	I <sub>OH</sub> = -4 mA, V <sub>IO</sub> = 1.65 to 1.95 V or 2.25 V to 2.75 V		V <sub>IO</sub> - 0.4	V <sub>IO</sub> - 0.2		V
V <sub>OL</sub>	Output low voltage	I <sub>OL</sub> = 4 mA, V <sub>IO</sub> = 1.65 to 1.95 V or 2.25 V to 2.75 V			0.2	0.4	V
I <sub>OZ</sub>	Output high-impedance current, R pin	V <sub>O</sub> = 0 V or V <sub>IO</sub> , RE = V <sub>IO</sub>		-2		2	μA
<b>Logic</b>							
I <sub>IN</sub>	Input current (D, $\overline{\text{RE}}$ , DE, SLR)	3 V ≤ V <sub>IO</sub> ≤ 5.5 V, 0 V ≤ V <sub>IN</sub> ≤ V <sub>IO</sub>		-5		5	μA
<b>Thermal Protection</b>							
T <sub>SHDN</sub>	Thermal shutdown threshold	Temperature rising		150	170		°C
T <sub>HYS</sub>	Thermal shutdown hysteresis				15		°C
<b>Supply</b>							
UV <sub>VCC</sub> (rising)	Rising under-voltage threshold on V <sub>CC</sub>				2.5	2.7	V
UV <sub>VCC</sub> (falling)	Falling under-voltage threshold on V <sub>CC</sub>			2	2.1		V
UV <sub>VCC(hys)</sub>	Hysteresis on under-voltage of V <sub>CC</sub>				400		mV
UV <sub>VIO</sub> (rising)	Rising under-voltage threshold on V <sub>IO</sub>				1.4	1.6	V
UV <sub>VIO</sub> (falling)	Falling under-voltage threshold on V <sub>IO</sub>			1.2	1.3		V
UV <sub>VIO(hys)</sub>	Hysteresis on under-voltage of V <sub>IO</sub>				100		mV

## 5.7 Electrical Characteristics (continued)

over operating free-air temperature range (unless otherwise noted). All typical values are at 25°C and supply voltage of  $V_{CC} = 5\text{ V}$  and  $V_{IO} = 3.3\text{ V}$ , unless otherwise noted.

PARAMETER		TEST CONDITIONS	MIN	TYP	MAX	UNIT
$I_{CC}$	Supply current (quiescent), $V_{CC} = 4.5\text{ V to }5.5\text{ V}$	Driver and receiver enabled	$\overline{RE} = 0\text{ V}, DE = V_{IO},$ No load	1.5	3	mA
		Driver enabled, receiver disabled	$\overline{RE} = V_{IO}, DE = V_{IO},$ No load	1.4	2.5	mA
		Driver disabled, receiver enabled	$\overline{RE} = 0\text{ V}, DE = 0\text{ V},$ No load	0.8	1.25	mA
		Driver and receiver disabled	$\overline{RE} = V_{IO}, DE = 0\text{ V},$ D = open, No load	0.2	4	$\mu\text{A}$
$I_{CC}$	Supply current (quiescent), $V_{CC} = 3\text{ V to }3.6\text{ V}$	Driver and receiver enabled	$\overline{RE} = 0\text{ V}, DE = V_{IO},$ No load	1.4	2.1	mA
		Driver enabled, receiver disabled	$\overline{RE} = V_{IO}, DE = V_{IO},$ No load	1	1.6	mA
		Driver disabled, receiver enabled	$\overline{RE} = 0\text{ V}, DE = 0\text{ V},$ No load	0.7	1.1	mA
		Driver and receiver disabled	$\overline{RE} = V_{IO}, DE = 0\text{ V},$ D = open, No load	0.2	4	$\mu\text{A}$
$I_{IO}$	Logic supply current (quiescent), $V_{IO} = 3\text{ V to }3.6\text{ V}$	Driver disabled, Receiver enabled, SLR = GND	$DE = 0\text{ V}, \overline{RE} = 0\text{ V},$ No load	10	18	$\mu\text{A}$
		Driver disabled, Receiver enabled, SLR = $V_{IO}$	$DE = 0\text{ V}, \overline{RE} = 0\text{ V},$ No load	13	22	$\mu\text{A}$
		Driver disabled, Receiver disabled, SLR = GND	$DE = 0\text{ V}, \overline{RE} = V_{IO},$ No load	2	3	$\mu\text{A}$
		Driver disabled, Receiver disabled, SLR = $V_{IO}$	$DE = 0\text{ V}, \overline{RE} = V_{IO},$ No load	5	7	$\mu\text{A}$

(1)  $V_{TH+}$  is specified to be at least  $V_{HYS}$  higher than  $V_{TH-}$ .

## 5.8 Switching Characteristics\_500 kbps

500-kbps (with SLR =  $V_{IO}$ ) over recommended operating conditions. All typical values are at 25°C and supply voltage of  $V_{CC}$  = 5 V and  $V_{IO}$  = 3.3 V, unless otherwise noted.

PARAMETER		TEST CONDITIONS		MIN	TYP	MAX	UNIT
<b>Driver</b>							
$t_r, t_f$	Differential output rise/fall time	$R_L = 54 \Omega, C_L = 50 \text{ pF}$ See <a href="#">Figure 6-3</a>	$V_{CC} = 3 \text{ to } 3.6 \text{ V}$ , Typical at 3.3V	200	250	600	ns
			$V_{CC} = 4.5 \text{ to } 5.5 \text{ V}$ , Typical at 5 V	200	270	600	ns
$t_{PHL}, t_{PLH}$	Propagation delay		$V_{CC} = 3 \text{ to } 3.6 \text{ V}$ , Typical at 3.3V		200	500	ns
			$V_{CC} = 4.5 \text{ to } 5.5 \text{ V}$ , Typical at 5 V		180	450	ns
$t_{SK(P)}$	Pulse skew, $ t_{PHL} - t_{PLH} $		$V_{CC} = 3 \text{ to } 3.6 \text{ V}$ , Typical at 3.3V		2	15	ns
			$V_{CC} = 4.5 \text{ to } 5.5 \text{ V}$ , Typical at 5 V		2	15	ns
$t_{PHZ}, t_{PLZ}$	Disable time	$\overline{RE} = X$	See <a href="#">Figure 6-4</a> and <a href="#">Figure 6-5</a>		80	200	ns
$t_{PZH}, t_{PZL}$	Enable time	$\overline{RE} = 0 \text{ V}$			200	650	ns
		$\overline{RE} = V_{IO}$			6	13	$\mu\text{s}$
<b>Receiver</b>							
$t_r, t_f$	Output rise/fall time	$C_L = 15 \text{ pF}$	See <a href="#">Figure 6-6</a>		5	20	ns
$t_{PHL}, t_{PLH}$	Propagation delay				30	90	ns
$t_{SK(P)}$	Pulse skew, $ t_{PHL} - t_{PLH} $				4	6	ns
$t_{PHZ}, t_{PLZ}$	Disable time	$DE = X, V_{IO} < 3 \text{ V}$	See <a href="#">Figure 6-7</a>		20	65	ns
$t_{PHZ}, t_{PLZ}$	Disable time	$DE = X, V_{IO} \geq 3 \text{ V}$				50	ns
$t_{PZH(1)}, t_{PZL(1)}$	Enable time	$DE = V_{IO}, V_{IO} < 3 \text{ V}$	See <a href="#">Figure 6-7</a>		80	170	ns
$t_{PZH(1)}, t_{PZL(1)}$	Enable time	$DE = V_{IO}, V_{IO} \geq 3 \text{ V}$			80	155	ns
$t_{PZH(2)}, t_{PZL(2)}$	Enable time	$DE = 0 \text{ V}$	See <a href="#">Figure 6-8</a>		7	14	$\mu\text{s}$

## 5.9 Switching Characteristics\_20 Mbps

20-Mbps (SLR = GND) over recommended operating conditions. All typical values are at 25°C and supply voltage of  $V_{CC} = 5$  V.

PARAMETER		TEST CONDITIONS		MIN	TYP	MAX	UNIT
<b>Driver</b>							
$t_r, t_f$	Differential output rise/fall time	$R_L = 54 \Omega, C_L = 50 \text{ pF}$ See <a href="#">Figure 6-3</a>	$V_{CC} = 3 \text{ to } 3.6 \text{ V}$ , Typical at 3.3 V	6	15	ns	
			$V_{CC} = 4.5 \text{ to } 5.5 \text{ V}$ , Typical at 5 V	6	15	ns	
$t_{PHL}, t_{PLH}$	Propagation delay		$V_{CC} = 3 \text{ to } 3.6 \text{ V}$ , Typical at 3.3 V	25	50	ns	
			$V_{CC} = 4.5 \text{ to } 5.5 \text{ V}$ , Typical at 5 V	20	40	ns	
$t_{SK(P)}$	Pulse skew, $ t_{PHL} - t_{PLH} $		$V_{CC} = 3 \text{ to } 3.6 \text{ V}$ , Typical at 3.3 V	1	6	ns	
			$V_{CC} = 4.5 \text{ to } 5.5 \text{ V}$ , Typical at 5 V	1	6	ns	
$t_{PHZ}, t_{PLZ}$	Disable time	$\overline{RE} = X$	See <a href="#">Figure 6-4</a> and <a href="#">Figure 6-5</a>	25	50	ns	
$t_{PZH}, t_{PZL}$	Enable time	$\overline{RE} = 0 \text{ V}$		30	70	ns	
		$\overline{RE} = V_{IO}, V_{IO} = 1.65 \text{ V to } 2.75 \text{ V}$		6	13	$\mu\text{s}$	
		$\overline{RE} = V_{IO}, V_{IO} = 3 \text{ V to } 5.5 \text{ V}$		6	13	$\mu\text{s}$	
<b>Receiver</b>							
$t_r, t_f$	Output rise/fall time	$C_L = 15 \text{ pF}$	See <a href="#">Figure 6-6</a>	5	10	ns	
$t_{PHL}, t_{PLH}$	Propagation delay	$C_L = 15 \text{ pF}$		30	90	ns	
$t_{SK(P)}$	Pulse skew, $ t_{PHL} - t_{PLH} $	$C_L = 15 \text{ pF}, V_{IO} < 2.25 \text{ V}$		6	ns		
$t_{SK(P)}$	Pulse skew, $ t_{PHL} - t_{PLH} $	$C_L = 15 \text{ pF}, V_{IO} \geq 2.25 \text{ V}$		8	ns		
$t_{PHZ}, t_{PLZ}$	Disable time	$DE = X, V_{IO} < 3 \text{ V}$	See <a href="#">Figure 6-7</a>	20	65	ns	
$t_{PHZ}, t_{PLZ}$	Disable time	$DE = X, V_{IO} \geq 3 \text{ V}$		50	ns		
$t_{PZH(1)}, t_{PZL(1)}$	Enable time	$DE = V_{IO}, V_{IO} < 3 \text{ V}$		80	170	ns	
$t_{PZH(1)}, t_{PZL(1)}$	Enable time	$DE = V_{IO}, V_{IO} \geq 3 \text{ V}$		80	155	ns	
$t_{PZH(2)}, t_{PZL(2)}$	Enable time	$DE = 0 \text{ V}$	See <a href="#">Figure 6-8</a>	6	14	$\mu\text{s}$	

## 5.10 Typical Characteristics

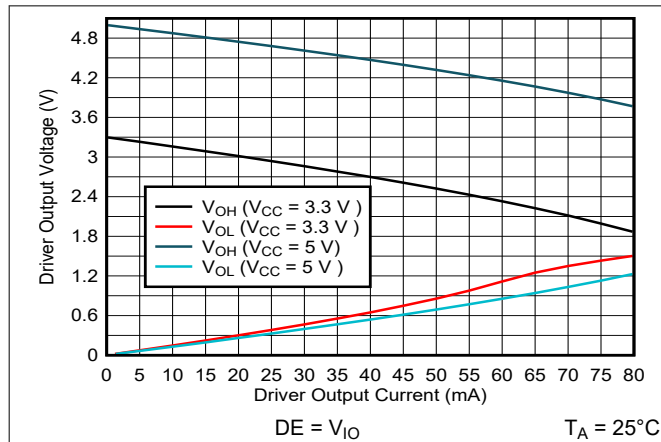


Figure 5-1. Driver Output voltage vs Driver Output Current

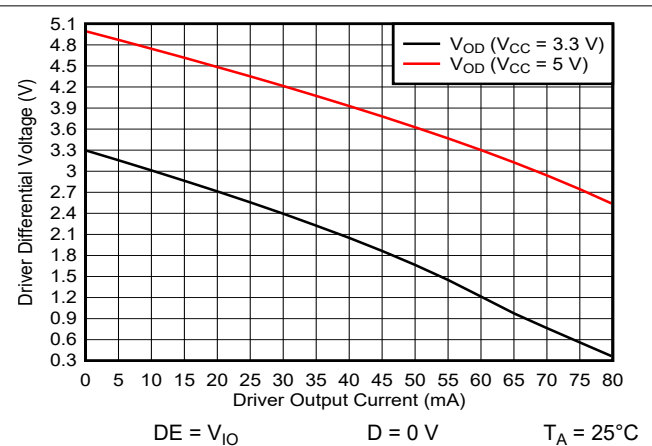


Figure 5-2. Driver Differential Output voltage vs Driver Output Current

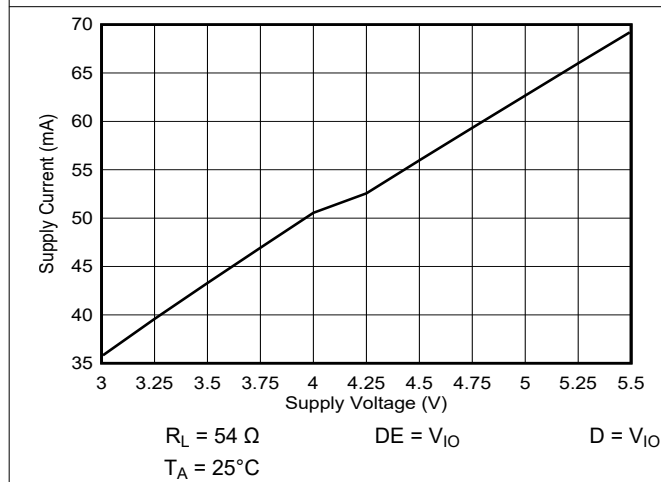


Figure 5-3. Supply Current vs Supply Voltage

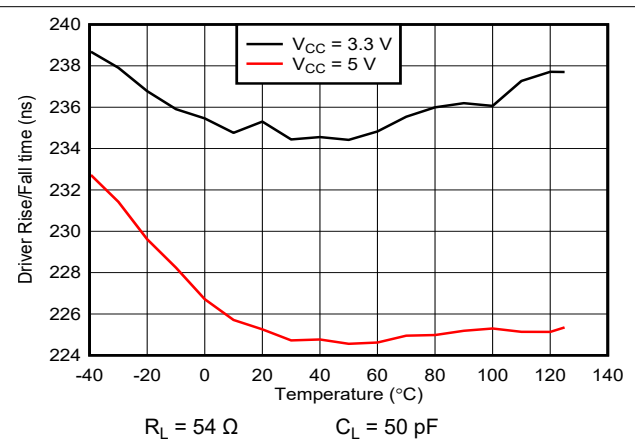


Figure 5-4. Driver Rise or Fall Time vs Temperature (500 kbps)

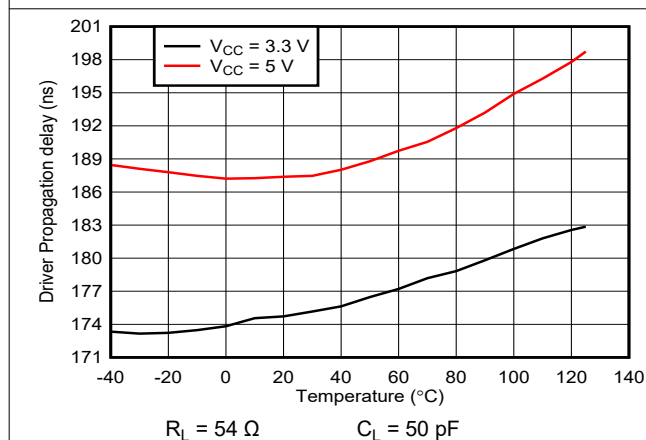


Figure 5-5. Driver Propagation Delay vs Temperature (500 kbps)

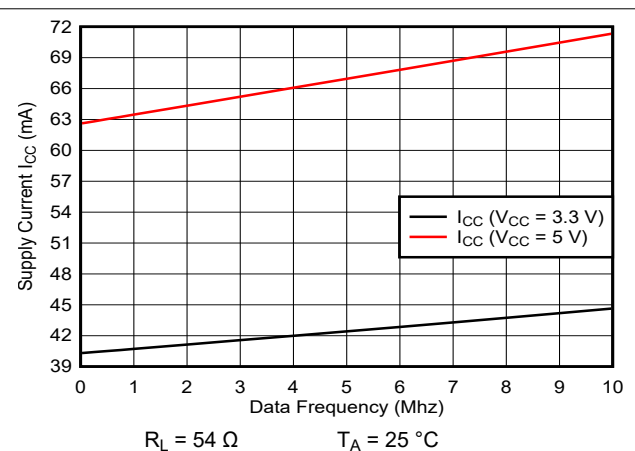


Figure 5-6. Supply Current vs Signal Rate (500 kbps)

### 5.10 Typical Characteristics (continued)

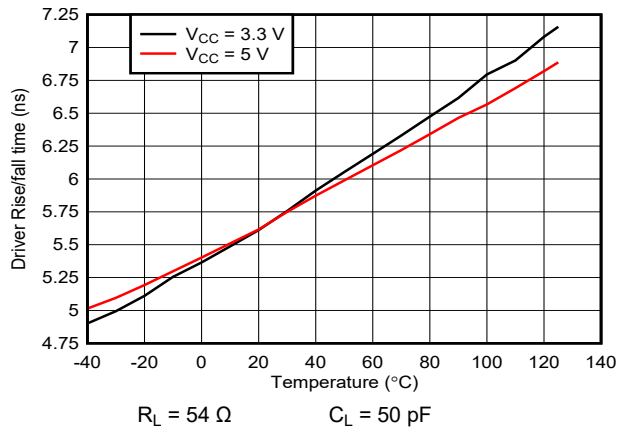


Figure 5-7. Driver Rise and Fall Time vs Temperature (20 Mbps)

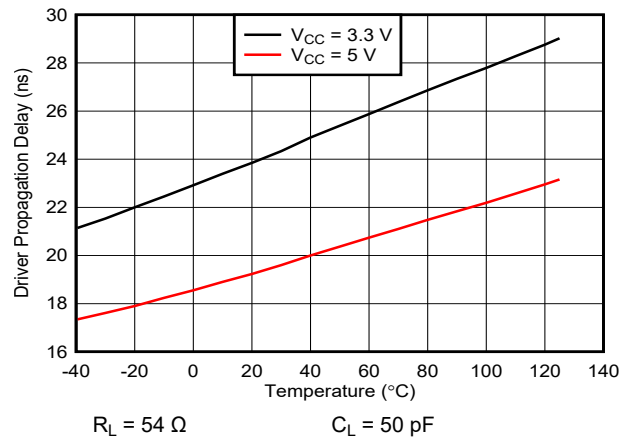


Figure 5-8. Driver Propagation Delay vs Temperature (20 Mbps)

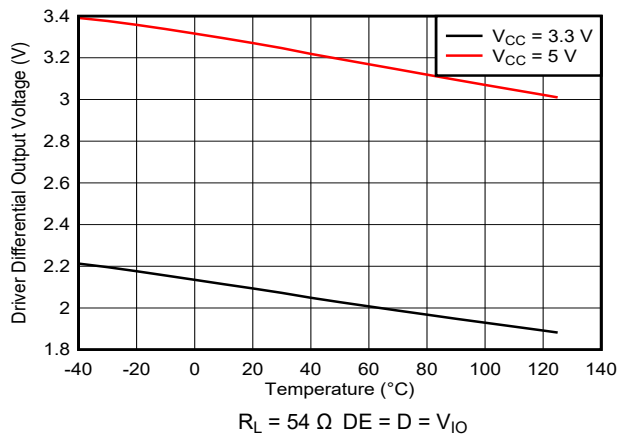


Figure 5-9. Driver Differential Output voltage vs Temperature

## 6 Parameter Measurement Information

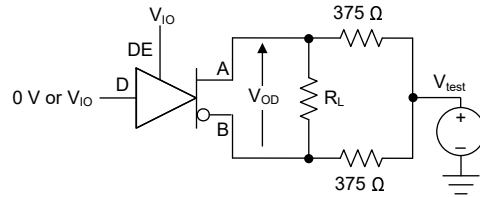


Figure 6-1. Measurement of Driver Differential Output Voltage With Common-Mode Load

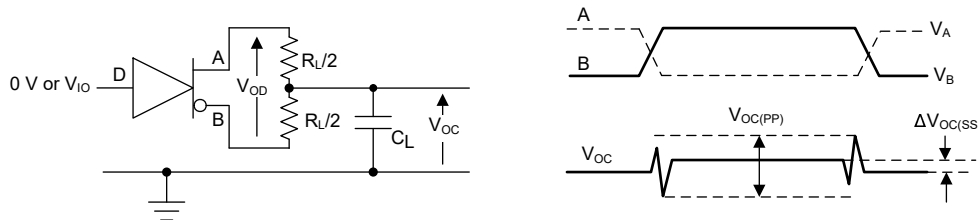


Figure 6-2. Measurement of Driver Differential and Common-Mode Output With RS-485 Load

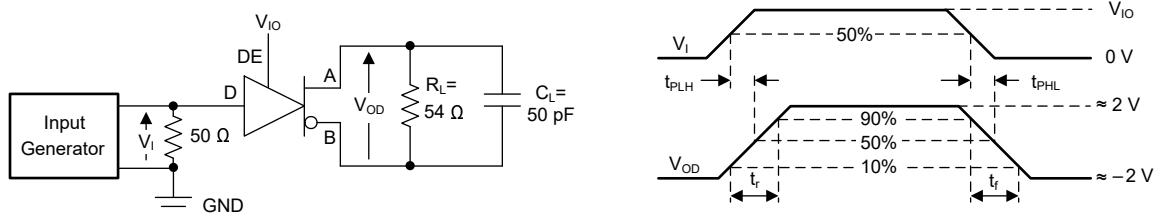


Figure 6-3. Measurement of Driver Differential Output Rise and Fall Times and Propagation Delays

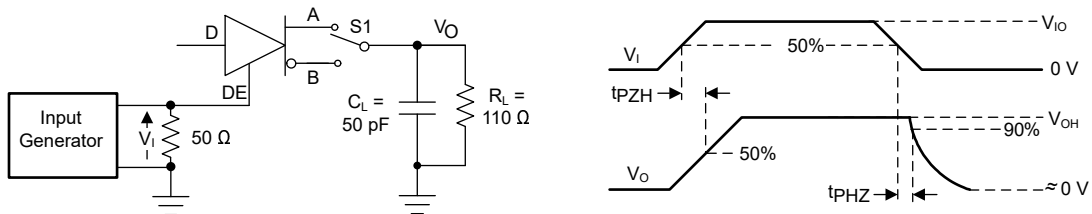


Figure 6-4. Measurement of Driver Enable and Disable Times With Active High Output and Pull-Down Load

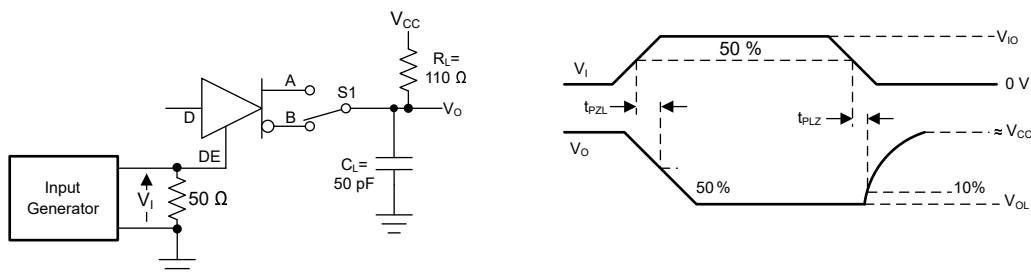
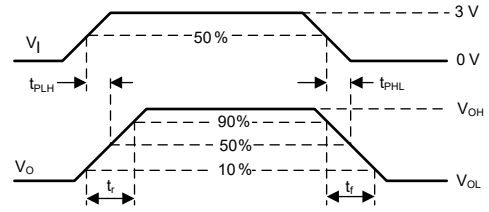
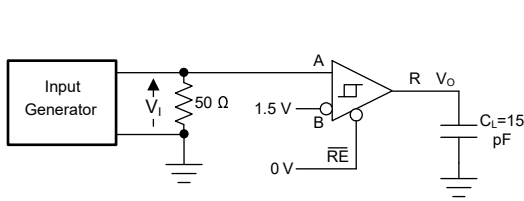
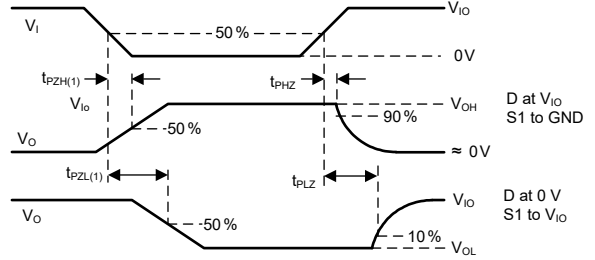
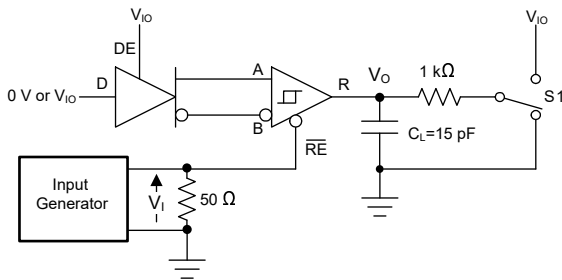


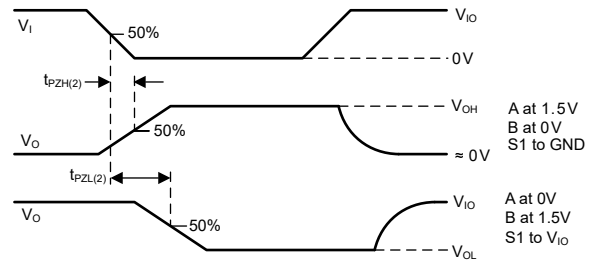
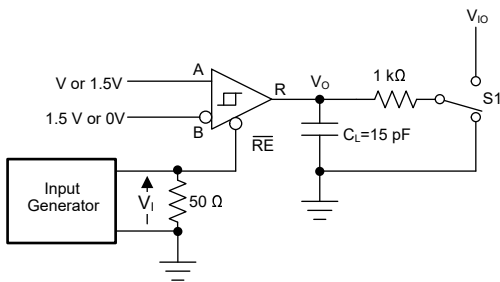
Figure 6-5. Measurement of Driver Enable and Disable Times With Active Low Output and Pull-up Load



**Figure 6-6. Measurement of Receiver Output Rise and Fall Times and Propagation Delays**



**Figure 6-7. Measurement of Receiver Enable/Disable Times With Driver Enabled**



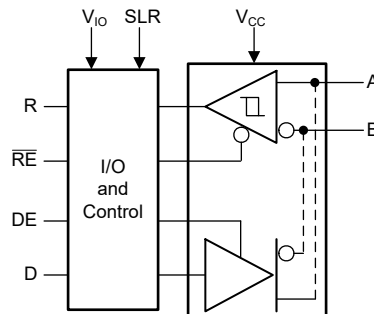
**Figure 6-8. Measurement of Receiver Enable Times With Driver Disabled**

## 7 Detailed Description

### 7.1 Overview

The THVD1400V is a half duplex RS-485 transceiver. The device has slew rate control pin SLR which can be used to set the device in maximum 20 Mbps mode or slew rate limited 500 kbps mode. THVD1400V also has low level logic interface  $V_{IO}$  pin to run RS-485 bus at 3 to 5.5 V supply, while the microcontroller can be at any voltage between 1.65 V to 5.5 V. This feature eliminates any level shifter that may be otherwise needed between the microcontroller and the RS-485 transceiver.

### 7.2 Functional Block Diagrams



### 7.3 Feature Description

The THVD1400V operates from 3 V to 5.5 V bus supply and 1.65 to 5.5 V logic supply. For applications wanting to keep same bus supply and logic supply,  $V_{CC}$  and  $V_{IO}$  can be shorted on PCB. Internal ESD protection circuits on bus pins protect the transceiver against Electrostatic Discharges (ESD) according to IEC 61000-4-2 of up to  $\pm 12$  kV (Contact Discharge),  $\pm 12$  kV (Air Gap Discharge) and against electrical fast transients (EFT) according to IEC 61000-4-4 of up to  $\pm 4$  kV.

### 7.4 Device Functional Modes

When the driver enable pin, DE, is logic high, the differential outputs A and B follow the logic states at data input D. A logic high at D causes A to turn high and B to turn low. In this condition, the differential output voltage defined as  $V_{OD} = V_A - V_B$  is positive. When D is low, the output states reverse, B turns high, A becomes low, and  $V_{OD}$  is negative.

When DE is low, both outputs turn high-impedance. In this condition, the logic state at D is irrelevant. The DE pin has an internal pull-down resistor to ground; thus, when left open, the driver is disabled (high-impedance) by default. The D pin has an internal pull-up resistor to  $V_{IO}$ , thus, when left open while the driver is enabled, output A turns high and B turns low.

**Table 7-1. Driver Function Table**

INPUT	ENABLE	OUTPUTS		FUNCTION
		A	B	
H	H	H	L	Actively drive bus high
L	H	L	H	Actively drive bus low
X	L	Z	Z	Driver disabled
X	OPEN	Z	Z	Driver disabled by default
OPEN	H	H	L	Actively drive bus high by default

When the receiver enable pin,  $\overline{RE}$ , is logic low, the receiver is enabled. When the differential input voltage defined as  $V_{ID} = V_A - V_B$  is positive and higher than the positive input threshold,  $V_{TH+}$ , the receiver output, R, turns high. When  $V_{ID}$  is negative and lower than the negative input threshold,  $V_{TH-}$ , the receiver output, R, turns low. If  $V_{ID}$  is between  $V_{TH+}$  and  $V_{TH-}$  the output is indeterminate.

When  $\overline{RE}$  is logic high or left open, the receiver output is high-impedance and the magnitude and polarity of  $V_{ID}$  are irrelevant. Internal biasing of the receiver inputs causes the output to go fail safe-high when the transceiver is disconnected from the bus (open-circuit), the bus lines are shorted (short-circuit), or the bus is not actively driven (idle bus).

**Table 7-2. Receiver Function Table**

DIFFERENTIAL INPUT	ENABLE	OUTPUT	FUNCTION
$V_{ID} = V_A - V_B$	$\overline{RE}$	R	
$V_{TH+} < V_{ID}$	L	H	Receive valid bus high
$V_{TH-} < V_{ID} < V_{TH+}$	L	?	Indeterminate bus state
$V_{ID} < V_{TH-}$	L	L	Receive valid bus low
X	H	Z	Receiver disabled
X	OPEN	Z	Receiver disabled by default
Open-circuit bus	L	H	Fail-safe high output
Short-circuit bus	L	H	Fail-safe high output
Idle (terminated) bus	L	H	Fail-safe high output

### 7.4.1 Operational Data rate

THVD1400V can be used in slow speed or fast speed RS-485 networks by configuring Slew rate control (SLR) pin. [Table 7-3](#) describes slew rate control function.

**Table 7-3. Slew rate control function table**

Signal state	Driver	Receiver	Comment
SLR = $V_{IO}$	Maximum speed of operation = 500kbps	Maximum speed of operation = 500kbps	Active high slew rate limiting applied on driver output and glitch filter in receiver path enabled
SLR = GND or floating	Maximum speed of operation = 20Mbps	Maximum speed of operation = 20Mbps	Slew rate limiting on driver output disabled and glitch filter in receiver path disabled

### 7.4.2 Protection Features

THVD1400V has in-built protection features such as supply undervoltage, bus short circuit and thermal shutdown.

Supply undervoltage protection is present on both  $V_{CC}$  and  $V_{IO}$  supply. This maintains the bus output and receiver logic output in known driven state when the supply is above the rising undervoltage threshold. [Table 7-4](#) describes the device behavior in various scenarios of supply levels.

**Table 7-4. Supply Function Table**

$V_{CC}$	$V_{IO}$	Driver Output	Receiver Output
$> UV_{VCC}(\text{rising})$	$> UV_{VIO}(\text{rising})$	Determined by DE and D inputs	Determined by $\overline{RE}$ and A-B
$< UV_{VCC}(\text{falling})$	$> UV_{VIO}(\text{rising})$	High impedance	Undetermined
$> UV_{VCC}(\text{rising})$	$< UV_{VIO}(\text{falling})$	High impedance	High impedance
$< UV_{VCC}(\text{falling})$	$< UV_{VIO}(\text{falling})$	High impedance	High impedance

Bus terminals are protected against high voltage short circuit events up to  $\pm 16$  V. Additionally, bus short circuit current is limited to 250 mA. In events like bus contention when multiple drivers are driving the bus simultaneously, the current through the bus terminals is internally limited. If the power dissipation makes the junction temperature cross  $150^{\circ}\text{C}$ , thermal shutdown is activated which disables the driver and receiver and reduces the on-chip power dissipation. The device is enabled once the junction temperature falls by the thermal shutdown hysteresis as specified in electrical parameter section of the data sheet.

## 8 Application Information Disclaimer

### Note

Information in the following applications sections is not part of the TI component specification, and TI does not warrant its accuracy or completeness. TI's customers are responsible for determining suitability of components for their purposes, as well as validating and testing their design implementation to confirm system functionality.

### 8.1 Application Information

The THVD1400V is a half duplex RS-485 transceiver used for asynchronous data transmissions. The driver and receiver enable pins, slew rate control pins allow the device to be applicable for various point-to-point, multipoint or multidrop network configurations.

### 8.2 Typical Application

An RS-485 bus consists of multiple transceivers connecting in parallel to a bus cable. To eliminate line reflections, each cable end is terminated with a termination resistor,  $R_T$ , whose value matches the characteristic impedance,  $Z_0$ , of the cable. This method, known as parallel termination, allows for higher data rates over longer cable length. Figure 8-1 shows the two end nodes terminated, while remaining nodes are unterminated.

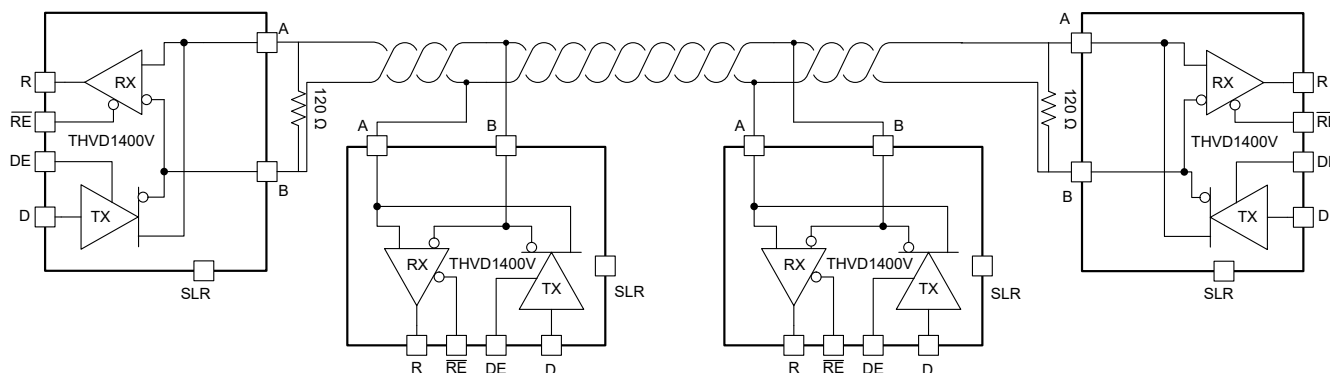


Figure 8-1. Typical Half Duplex RS-485 Network With all Nodes Using THVD1400V

#### 8.2.1 Design Requirements

RS-485 is a robust electrical standard suitable for long-distance networking that may be used in a wide range of applications with varying requirements, such as distance, data rate, and number of nodes.

##### 8.2.1.1 Data Rate and Bus Length

There is an inverse relationship between data rate and cable length, which means the higher the data rate, the shorter the cable length; and conversely, the lower the data rate, the longer the cable length. While most RS-485 systems use data rates between 10 kbps and 100 kbps, some applications require data rates up to 300 kbps at distances of 4000 feet and longer. Longer distances are possible by allowing for small signal jitter of up to 5% or 10%.

### 8.2.1.2 Stub Length

When connecting a node to the bus, the distance between the transceiver inputs and the cable trunk, known as the stub, should be as short as possible. Stubs present a non-terminated piece of bus line which can introduce reflections as the length of the stub increases. As a general guideline, the electrical length, or round-trip delay, of a stub should be less than one-tenth of the rise time of the driver, thus giving a maximum physical stub length as shown in [Equation 1](#).

$$L_{(\text{STUB})} \leq 0.1 \times t_r \times v \times c \quad (1)$$

where:

- $t_r$  is the 10/90 rise time of the driver
- $c$  is the speed of light ( $3 \times 10^8$  m/s)
- $v$  is the signal velocity of the cable or trace as a factor of  $c$

THVD1400V can be used in both slow speed and high speed networks with SLR pin configurability. Slew rate limiting makes the driver output rise or fall time slower so that stub lengths can be increased.

### 8.2.1.3 Bus Loading

The RS-485 standard specifies that a compliant driver must be able to driver 32 unit loads (UL), where 1 unit load represents a load impedance of approximately 12 k $\Omega$ . Because the THVD1400V consists of 1/8 UL transceivers, connecting up to 256 transceivers to the bus is possible.

### 8.2.1.4 Receiver Failsafe

The differential receiver of the THVD1400V is *failsafe* to invalid bus states caused by the following:

- Open bus conditions, such as a disconnected connector
- Shorted bus conditions, such as cable damage shorting the twisted-pair together
- Idle bus conditions that occur when no driver on the bus is actively driving

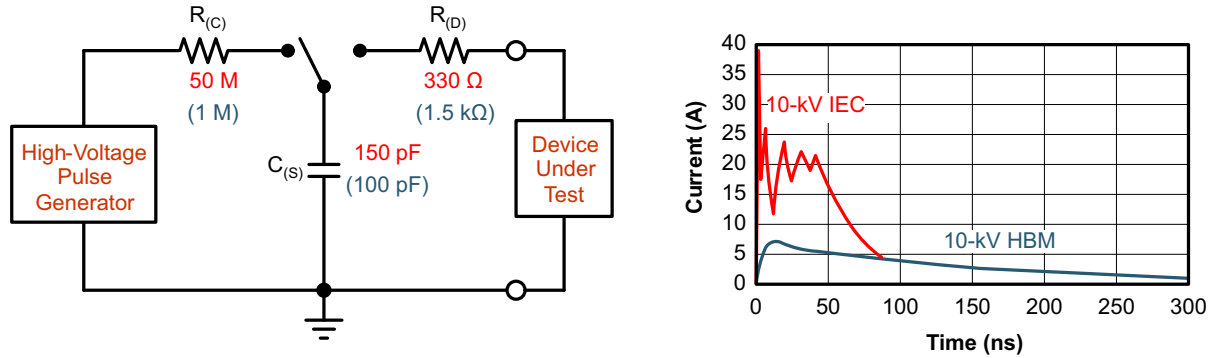
In any of these cases, the differential receiver outputs a failsafe logic high state so that the output of the receiver is not indeterminate.

Receiver failsafe is accomplished by offsetting the receiver thresholds such that the *input indeterminate* range does not include zero volts differential. To comply with the RS-422 and RS-485 standards, the receiver output must output a high when the differential input  $V_{ID}$  is more positive than 200 mV, and must output a low when  $V_{ID}$  is more negative than  $-200$  mV. The receiver parameters which determine the failsafe performance are  $V_{TH+}$ ,  $V_{TH-}$ , and  $V_{HYS}$  (the separation between  $V_{TH+}$  and  $V_{TH-}$ ). As shown in the [Table 7-2](#), differential signals more negative than  $-200$  mV always causes a low receiver output, and differential signals more positive than 200 mV always causes a high receiver output.

When the differential input signal is close to zero, it is still above the  $V_{TH+}$  threshold, and the receiver output is high. Only when the differential input is more than  $V_{HYS}$  below  $V_{TH+}$  does the receiver output transition to a low state. Therefore, the noise immunity of the receiver inputs during a bus fault conditions includes the receiver hysteresis value,  $V_{HYS}$ , as well as the value of  $V_{TH+}$ .

### 8.2.1.5 Transient Protection

The bus pins of the THVD1400V transceiver family include on-chip ESD protection against  $\pm 16$ -kV HBM and  $\pm 12$ -kV IEC 61000-4-2 contact discharge. The International Electrotechnical Commission (IEC) ESD test is far more severe than the HBM ESD test. The 50% higher charge capacitance,  $C_{(S)}$ , and 78% lower discharge resistance,  $R_{(D)}$ , of the IEC model produce significantly higher discharge currents than the HBM model.



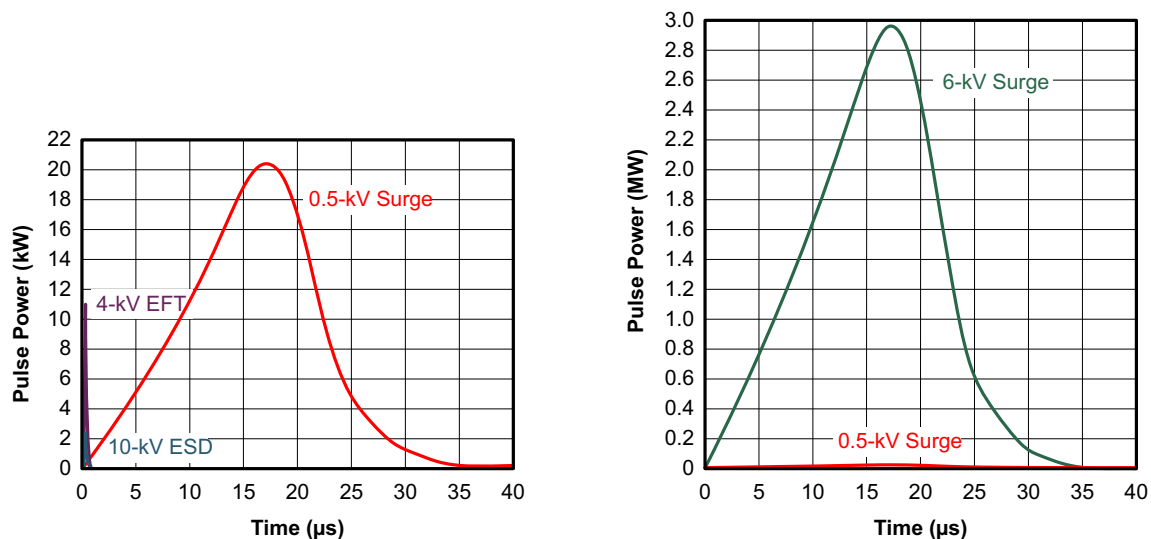
**Figure 8-2. HBM and IEC ESD Models and Currents in Comparison (HBM Values in Parenthesis)**

The on-chip implementation of IEC ESD protection significantly increases the robustness of equipment. Common discharge events occur because of human contact with connectors and cables. Designers may choose to implement protection against longer duration transients, typically referred to as surge transients.

EFTs are generally caused by relay-contact bounce or the interruption of inductive loads. Surge transients often result from lightning strikes (direct strike or an indirect strike which induce voltages and currents), or the switching of power systems, including load changes and short circuit switching. These transients are often encountered in industrial environments, such as factory automation and power-grid systems.

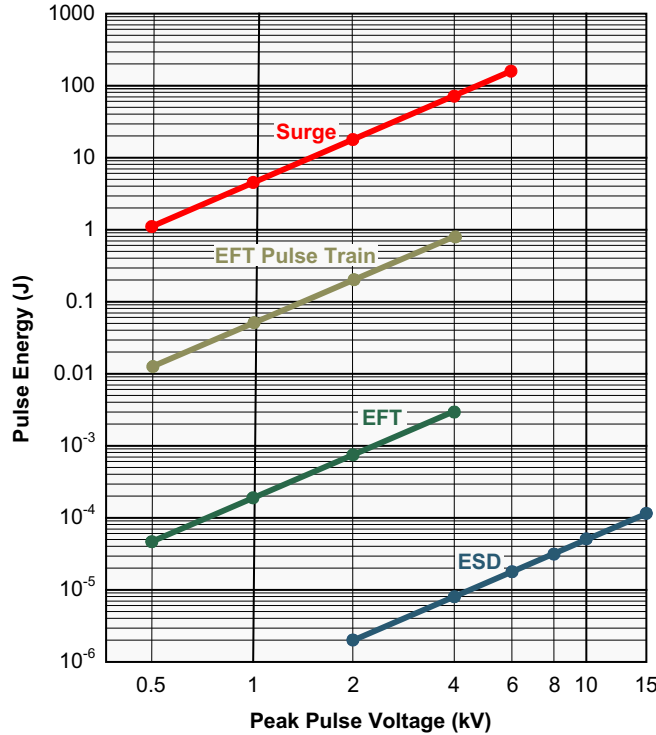
Figure 8-3 compares the pulse-power of the EFT and surge transients with the power caused by an IEC ESD transient. The left side of the diagram shows the relative pulse-power for a 0.5-kV surge transient and 4-kV EFT transient, both of which exceed the 10-kV ESD transient visible in the lower-left corner. 500-V surge transients are representative of events that may occur in factory environments in industrial and process automation.

The right side of the diagram shows the pulse-power of a 6-kV surge transient, relative to the same 0.5-kV surge transient. 6-kV surge transients may occur in power generation and power-grid systems.



**Figure 8-3. Power Comparison of ESD, EFT, and Surge Transients**

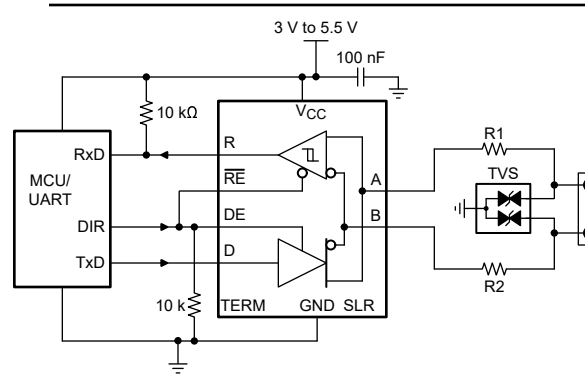
For surge transients, high-energy content is characterized by long pulse duration and slow decaying pulse power. The electrical energy of a transient that is dumped into the internal protection cells of a transceiver is converted into thermal energy, which heats and destroys the protection cells, thus destroying the transceiver. Figure 8-4 shows the large differences in transient energies for single ESD, EFT, surge transients, and an EFT pulse train that is commonly applied during compliance testing.



**Figure 8-4. Comparison of Transient Energies**

## 8.2.2 Detailed Design Procedure

To protect bus nodes against high-energy surge transients, the implementation of external transient protection devices is necessary. [Figure 8-5](#) suggests a protection circuit against 1 kV surge (IEC 61000-4-5) transients. [Table 8-1](#) shows the associated bill of materials.



**Figure 8-5. Transient Protection Against Surge Transients for THVD1400V**

**Table 8-1. Bill of Materials**

DEVICE	FUNCTION	ORDER NUMBER	MANUFACTURER <sup>(1)</sup>
XCVR	RS-485 transceiver	THVD1400V	TI
R1	10-Ω, pulse-proof thick-film resistor	CRCW0603010RJNEAHP	Vishay
R2			
TVS	Bidirectional 400-W transient suppressor	CDSOT23-SM712	Bourns

(1) See the [Third Part Disclaimer](#).

### 8.2.3 Application Curves

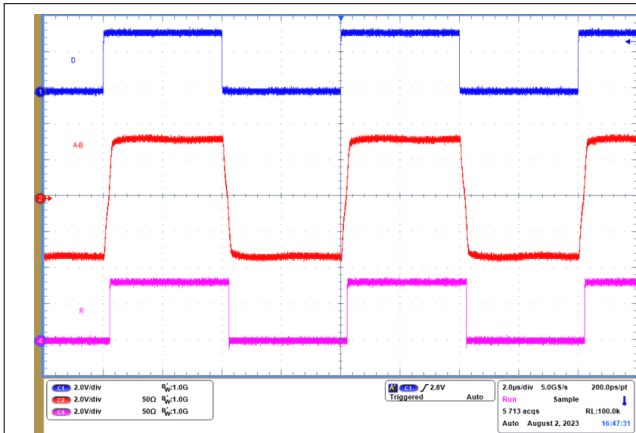


Figure 8-6. Waveforms at 500 kbps ,  $V_{CC} = 5\text{ V}$

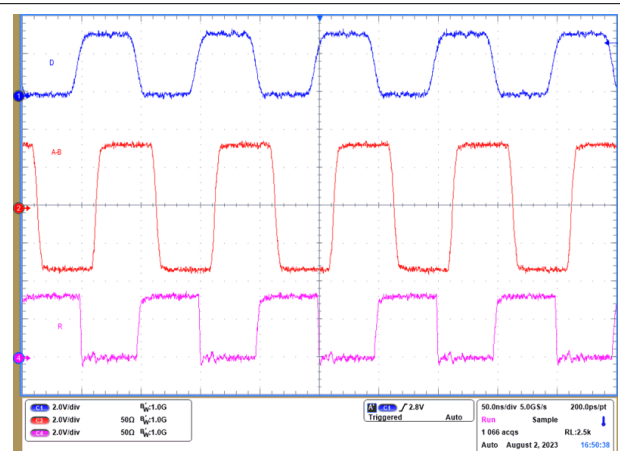


Figure 8-7. Waveforms at 20 Mbps ,  $V_{CC} = 5\text{ V}$

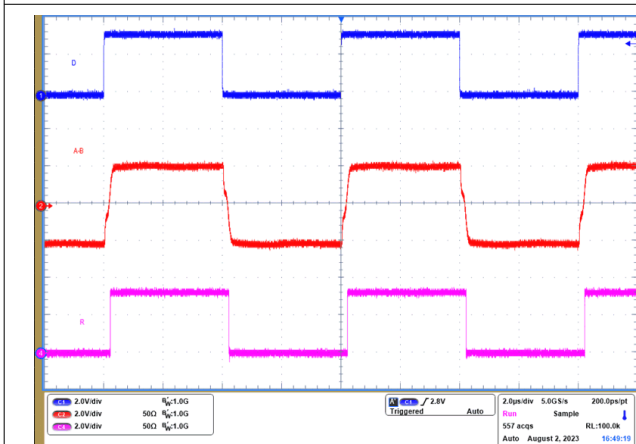


Figure 8-8. Waveforms at 500 kbps ,  $V_{CC} = 3.3\text{ V}$

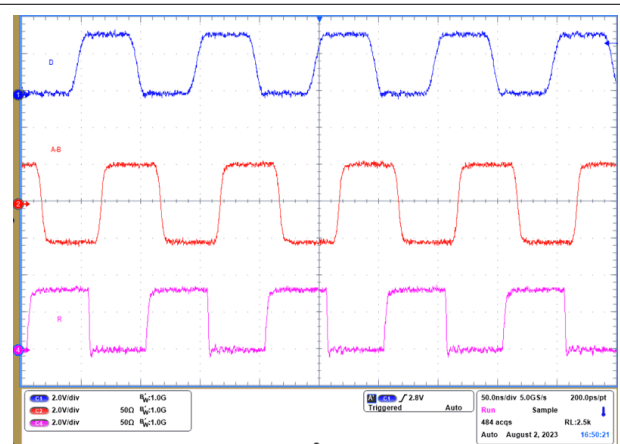


Figure 8-9. Waveforms at 20 Mbps ,  $V_{CC} = 3.3\text{ V}$

## 8.3 Power Supply Recommendations

For reliable operation at all data rates and supply voltages, each supply should be decoupled with a 100 nF ceramic capacitor located as close to the supply pin as possible. This helps to reduce supply voltage ripple present on the outputs of switched-mode power supplies and also helps to compensate for the resistance and inductance of the PCB power planes.

## 8.4 Layout

### 8.4.1 Layout Guidelines

Robust and reliable bus node design often requires the use of external transient protection devices in order to protect against surge transients that may occur in industrial environments. Since these transients have a wide frequency bandwidth (from approximately 3 MHz to 300 MHz), high-frequency layout techniques should be applied during PCB design.

1. Place the protection circuitry close to the bus connector to prevent noise transients from propagating across the board.
2. Use  $V_{CC}$  and ground planes to provide low inductance. Note that high-frequency currents tend to follow the path of least impedance and not the path of least resistance.
3. Design the protection components into the direction of the signal path. Do not force the transient currents to divert from the signal path to reach the protection device.
4. Apply at least 100 nF decoupling capacitors as close as possible to the  $V_{CC}$  and  $V_{IO}$  pin of the transceiver, UART and/or controller ICs on the board.
5. Use at least two vias for  $V_{CC}$  and ground connections of decoupling capacitors and protection devices to minimize effective via inductance.
6. Use 1-k $\Omega$  to 10-k $\Omega$  pull-up and pull-down resistors for logic lines to limit noise currents in these lines during transient events.
7. Insert pulse-proof resistors into the A and B bus lines if the TVS clamping voltage is higher than the specified maximum voltage of the transceiver bus pins. These resistors limit the residual clamping current into the transceiver and prevent it from latching up.
8. While pure TVS protection is sufficient for surge transients up to 1 kV, higher transients require metal-oxide varistors (MOVs) which reduce the transients to a few hundred volts of clamping voltage, and transient blocking units (TBUs) that limit transient current to less than 1 mA.

### 8.4.2 Layout Example

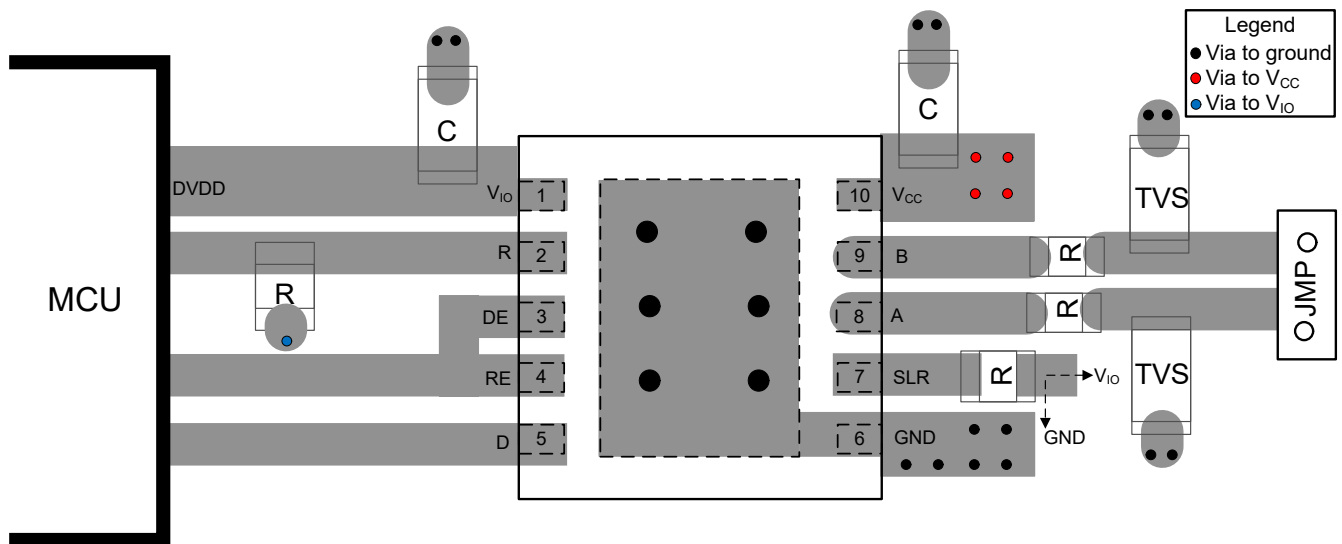


Figure 8-10. Layout Example for THVD1400V in VSON-10 Package

## 9 Device and Documentation Support

### 9.1 Device Support

#### 9.1.1 Third-Party Products Disclaimer

TI'S PUBLICATION OF INFORMATION REGARDING THIRD-PARTY PRODUCTS OR SERVICES DOES NOT CONSTITUTE AN ENDORSEMENT REGARDING THE SUITABILITY OF SUCH PRODUCTS OR SERVICES OR A WARRANTY, REPRESENTATION OR ENDORSEMENT OF SUCH PRODUCTS OR SERVICES, EITHER ALONE OR IN COMBINATION WITH ANY TI PRODUCT OR SERVICE.

### 9.2 Receiving Notification of Documentation Updates

To receive notification of documentation updates, navigate to the device product folder on [ti.com](http://ti.com). Click on *Subscribe to updates* to register and receive a weekly digest of any product information that has changed. For change details, review the revision history included in any revised document.

### 9.3 Support Resources

[TI E2E™ support forums](#) are an engineer's go-to source for fast, verified answers and design help — straight from the experts. Search existing answers or ask your own question to get the quick design help you need.

Linked content is provided "AS IS" by the respective contributors. They do not constitute TI specifications and do not necessarily reflect TI's views; see TI's [Terms of Use](#).

### 9.4 Trademarks

TI E2E™ is a trademark of Texas Instruments.  
All trademarks are the property of their respective owners.

### 9.5 Electrostatic Discharge Caution



This integrated circuit can be damaged by ESD. Texas Instruments recommends that all integrated circuits be handled with appropriate precautions. Failure to observe proper handling and installation procedures can cause damage.

ESD damage can range from subtle performance degradation to complete device failure. Precision integrated circuits may be more susceptible to damage because very small parametric changes could cause the device not to meet its published specifications.

### 9.6 Glossary

[TI Glossary](#) This glossary lists and explains terms, acronyms, and definitions.

## 10 Revision History

NOTE: Page numbers for previous revisions may differ from page numbers in the current version.

DATE	REVISION	NOTES
October 2023	*	Initial Release

## 11 Mechanical, Packaging, and Orderable Information

The following pages include mechanical, packaging, and orderable information. This information is the most current data available for the designated devices. This data is subject to change without notice and revision of this document. For browser-based versions of this data sheet, refer to the left-hand navigation.

**PACKAGING INFORMATION**

Orderable part number	Status (1)	Material type (2)	Package   Pins	Package qty   Carrier	RoHS (3)	Lead finish/ Ball material (4)	MSL rating/ Peak reflow (5)	Op temp (°C)	Part marking (6)
<a href="#">THVD1400VDRCR</a>	Active	Production	VSON (DRC)   10	5000   LARGE T&R	Yes	NIPDAU   SN	Level-1-260C-UNLIM	-40 to 125	1400V
THVD1400VDRCR.A	Active	Production	VSON (DRC)   10	5000   LARGE T&R	Yes	NIPDAU	Level-1-260C-UNLIM	-40 to 125	1400V

(1) **Status:** For more details on status, see our [product life cycle](#).

(2) **Material type:** When designated, preproduction parts are prototypes/experimental devices, and are not yet approved or released for full production. Testing and final process, including without limitation quality assurance, reliability performance testing, and/or process qualification, may not yet be complete, and this item is subject to further changes or possible discontinuation. If available for ordering, purchases will be subject to an additional waiver at checkout, and are intended for early internal evaluation purposes only. These items are sold without warranties of any kind.

(3) **RoHS values:** Yes, No, RoHS Exempt. See the [TI RoHS Statement](#) for additional information and value definition.

(4) **Lead finish/Ball material:** Parts may have multiple material finish options. Finish options are separated by a vertical ruled line. Lead finish/Ball material values may wrap to two lines if the finish value exceeds the maximum column width.

(5) **MSL rating/Peak reflow:** The moisture sensitivity level ratings and peak solder (reflow) temperatures. In the event that a part has multiple moisture sensitivity ratings, only the lowest level per JEDEC standards is shown. Refer to the shipping label for the actual reflow temperature that will be used to mount the part to the printed circuit board.

(6) **Part marking:** There may be an additional marking, which relates to the logo, the lot trace code information, or the environmental category of the part.

Multiple part markings will be inside parentheses. Only one part marking contained in parentheses and separated by a "~" will appear on a part. If a line is indented then it is a continuation of the previous line and the two combined represent the entire part marking for that device.

**Important Information and Disclaimer:** The information provided on this page represents TI's knowledge and belief as of the date that it is provided. TI bases its knowledge and belief on information provided by third parties, and makes no representation or warranty as to the accuracy of such information. Efforts are underway to better integrate information from third parties. TI has taken and continues to take reasonable steps to provide representative and accurate information but may not have conducted destructive testing or chemical analysis on incoming materials and chemicals. TI and TI suppliers consider certain information to be proprietary, and thus CAS numbers and other limited information may not be available for release.

In no event shall TI's liability arising out of such information exceed the total purchase price of the TI part(s) at issue in this document sold by TI to Customer on an annual basis.

**TAPE AND REEL INFORMATION**

**QUADRANT ASSIGNMENTS FOR PIN 1 ORIENTATION IN TAPE**


\*All dimensions are nominal

Device	Package Type	Package Drawing	Pins	SPQ	Reel Diameter (mm)	Reel Width W1 (mm)	A0 (mm)	B0 (mm)	K0 (mm)	P1 (mm)	W (mm)	Pin1 Quadrant
THVD1400VDRCR	VSON	DRC	10	5000	330.0	12.4	3.3	3.3	1.0	8.0	12.0	Q2

**TAPE AND REEL BOX DIMENSIONS**


\*All dimensions are nominal

Device	Package Type	Package Drawing	Pins	SPQ	Length (mm)	Width (mm)	Height (mm)
THVD1400VDRCR	VSON	DRC	10	5000	356.0	356.0	36.0

## GENERIC PACKAGE VIEW

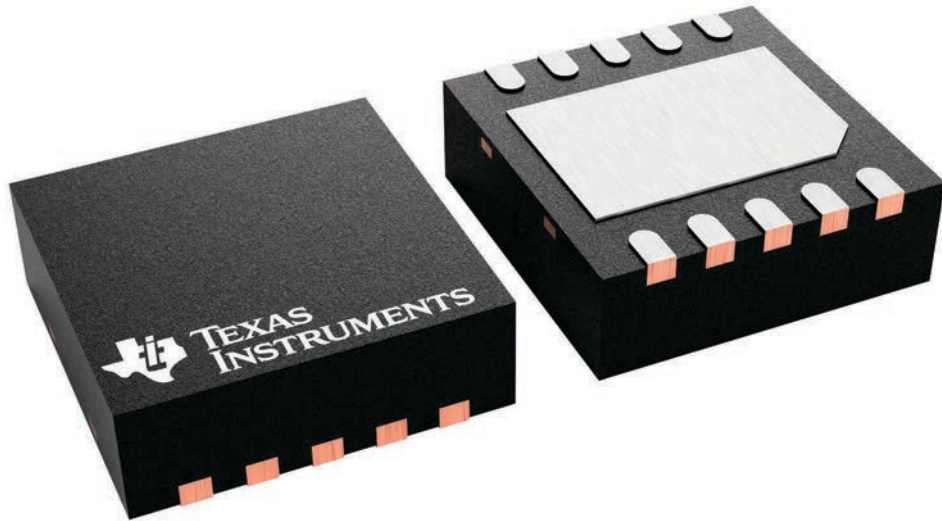
**DRC 10**

**VSON - 1 mm max height**

3 x 3, 0.5 mm pitch

PLASTIC SMALL OUTLINE - NO LEAD

This image is a representation of the package family, actual package may vary.  
Refer to the product data sheet for package details.



4226193/A



# EXAMPLE BOARD LAYOUT

DRC0010J

VSON - 1 mm max height

PLASTIC SMALL OUTLINE - NO LEAD



LAND PATTERN EXAMPLE  
EXPOSED METAL SHOWN  
SCALE:20X



SOLDER MASK DETAILS

4218878/B 07/2018

NOTES: (continued)

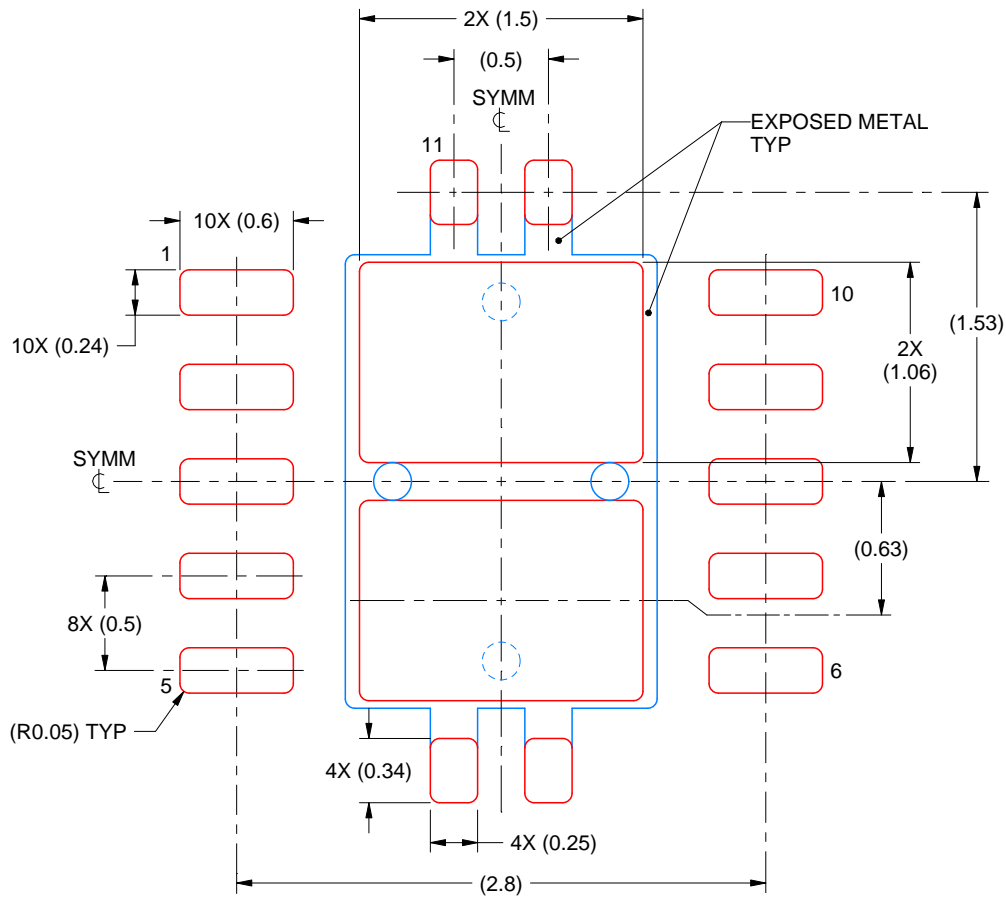
4. This package is designed to be soldered to a thermal pad on the board. For more information, see Texas Instruments literature number SLUA271 ([www.ti.com/lit/sluea271](http://www.ti.com/lit/sluea271)).
5. Vias are optional depending on application, refer to device data sheet. If any vias are implemented, refer to their locations shown on this view. It is recommended that vias under paste be filled, plugged or tented.

# EXAMPLE STENCIL DESIGN

DRC0010J

VSON - 1 mm max height

PLASTIC SMALL OUTLINE - NO LEAD



SOLDER PASTE EXAMPLE  
BASED ON 0.125 mm THICK STENCIL

EXPOSED PAD 11:  
80% PRINTED SOLDER COVERAGE BY AREA  
SCALE:25X

4218878/B 07/2018

NOTES: (continued)

6. Laser cutting apertures with trapezoidal walls and rounded corners may offer better paste release. IPC-7525 may have alternate design recommendations.

## IMPORTANT NOTICE AND DISCLAIMER

TI PROVIDES TECHNICAL AND RELIABILITY DATA (INCLUDING DATASHEETS), DESIGN RESOURCES (INCLUDING REFERENCE DESIGNS), APPLICATION OR OTHER DESIGN ADVICE, WEB TOOLS, SAFETY INFORMATION, AND OTHER RESOURCES "AS IS" AND WITH ALL FAULTS, AND DISCLAIMS ALL WARRANTIES, EXPRESS AND IMPLIED, INCLUDING WITHOUT LIMITATION ANY IMPLIED WARRANTIES OF MERCHANTABILITY, FITNESS FOR A PARTICULAR PURPOSE OR NON-INFRINGEMENT OF THIRD PARTY INTELLECTUAL PROPERTY RIGHTS.

These resources are intended for skilled developers designing with TI products. You are solely responsible for (1) selecting the appropriate TI products for your application, (2) designing, validating and testing your application, and (3) ensuring your application meets applicable standards, and any other safety, security, regulatory or other requirements.

These resources are subject to change without notice. TI grants you permission to use these resources only for development of an application that uses the TI products described in the resource. Other reproduction and display of these resources is prohibited. No license is granted to any other TI intellectual property right or to any third party intellectual property right. TI disclaims responsibility for, and you fully indemnify TI and its representatives against any claims, damages, costs, losses, and liabilities arising out of your use of these resources.

TI's products are provided subject to [TI's Terms of Sale](#), [TI's General Quality Guidelines](#), or other applicable terms available either on [ti.com](http://ti.com) or provided in conjunction with such TI products. TI's provision of these resources does not expand or otherwise alter TI's applicable warranties or warranty disclaimers for TI products. Unless TI explicitly designates a product as custom or customer-specified, TI products are standard, catalog, general purpose devices.

TI objects to and rejects any additional or different terms you may propose.

Copyright © 2026, Texas Instruments Incorporated

Last updated 10/2025