

TLV320AIC3107 Low-Power Stereo Codec With Integrated Mono Class-D Speaker Amplifier

1 Features

- Stereo CODEC With Integrated Mono Class-D Amplifier
- High Performance Audio DAC
 - 97-dBA Signal-to-Noise Ratio (Single Ended)
 - 16/20/24/32-Bit Data
 - Supports Sample Rates From 8 kHz to 96 kHz
 - 3D/Bass/Treble/EQ/De-Emphasis Effects
 - Flexible Power Saving Modes and Performance are Available
- High Performance Audio ADC
 - 92-dBA Signal-to-Noise Ratio
 - Supports Rates From 8 kHz to 96 kHz
 - Digital Signal Processing and Noise Filtering Available During Record
- Seven Audio Input Pins
 - Programmable as 6 Single-Ended or 3 Fully Differential Inputs
 - Capability for Floating Input Configurations
- Multiple Audio Output Drivers
 - Mono Fully Differential or Stereo Single-Ended Headphone Drivers
 - Single-Ended Stereo Line Outputs
- Mono 1 W Class-D BTL 8Ω Speaker Driver
- Low Power Consumption: 15-mW Stereo 48-kHz Playback With 3.3-V Analog Supply
- Ultra-Low Power Mode with Passive Analog Bypass
- Programmable Input/Output Analog Gains
- Automatic Gain Control (AGC) for Record
- Programmable Microphone Bias Level

- Programmable PLL for Flexible Clock Generation
- I²C™ Control Bus
- Audio Serial Data Bus Supports I²S, Left/Right-Justified, DSP, and TDM Modes
- Extensive Modular Power Control
- Power Supplies:
 - Speaker Amp: 2.7 V – 5.5 V
 - Analog: 2.7 V – 3.6 V.
 - Digital Core: 1.525 V – 1.95 V
 - Digital I/O: 1.1 V – 3.6 V
- Packages: 5-mm x 5-mm 40-QFN, 0.4-mm Pitch
3.563-mm x 3.376-mm 42-DSBGA, 0.5 mm Pitch (Product Preview)

2 Applications

- Cellular Handsets
- Digital Cameras
- Portable Media Players
- General Portable Audio Equipment

3 Description

The TLV320AIC3107 is a low power stereo audio codec with stereo headphone amplifier, and mono class-D speaker driver, as well as multiple inputs and outputs programmable in single-ended or fully differential configurations.

Device Information⁽¹⁾

PART NUMBER	PACKAGE	BODY SIZE (MAX)
TLV320AIC3107	WQFN (40)	5.15 mm x 5.15 mm
	DSBGA (42)	3.563 mm x 3.376 mm

(1) For all available packages, see the orderable addendum at the end of the datasheet.

4 Simplified Block Diagram

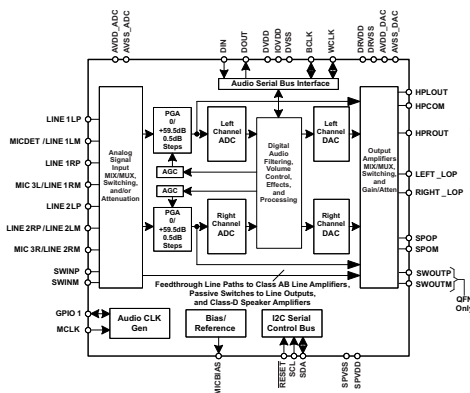


Table of Contents

1 Features	1	10.1 Overview	17
2 Applications	1	10.2 Functional Block Diagram	17
3 Description	1	10.3 Feature Description	18
4 Simplified Block Diagram	1	10.4 Device Functional Modes	39
5 Revision History	2	10.5 Programming	41
6 Description (Continued)	3	10.6 Register Maps	44
7 Pin Configuration and Functions	4	11 Application and Implementation	88
8 Specifications	6	11.1 Application Information	88
8.1 Absolute Maximum Ratings	6	11.2 Typical Application	88
8.2 ESD Ratings	6	12 Power Supply Recommendations	90
8.3 Recommended Operating Conditions	6	13 Layout	90
8.4 Thermal Information	7	13.1 Layout Guidelines	90
8.5 Dissipation Ratings	7	13.2 Layout Example	91
8.6 Electrical Characteristics	8	14 Device and Documentation Support	93
8.7 Audio Data Serial Interface Timing Requirements ..	11	14.1 Trademarks	93
8.8 Typical Characteristics	15	14.2 Electrostatic Discharge Caution	93
9 Parameter Measurement Information	17	14.3 Glossary	93
10 Detailed Description	17	15 Mechanical, Packaging, and Orderable Information	93

5 Revision History

Changes from Revision C (March 2009) to Revision D

Page

- Added *Pin Configuration and Functions* section, *ESD Ratings* table, *Feature Description* section, *Device Functional Modes*, *Application and Implementation* section, *Power Supply Recommendations* section, *Layout* section, *Device and Documentation Support* section, and *Mechanical, Packaging, and Orderable Information* section **1**

6 Description (Continued)

Extensive register-based power control is included, enabling stereo 48-kHz DAC playback as low as 15 mW from a 3.3-V analog supply, making it ideal for portable battery-powered audio and telephony applications.

The high-power output drivers are capable of driving a variety of load configurations, including up to three channels of single-ended 16- Ω headphones using ac-coupling capacitors, or stereo 16- Ω headphones in a capacitorless output configuration. The mono class-D output is capable of differentially driving an 8- Ω speaker.

The stereo audio DAC supports sampling rates from 8 kHz to 96 kHz and includes programmable digital filtering in the DAC path for 3D, bass, treble, midrange effects, speaker equalization, and de-emphasis for 32-kHz, 44.1-kHz, and 48-kHz rates. The stereo audio ADC supports sampling rates from 8 kHz to 96 kHz and is preceded by programmable gain amplifiers or AGC that can provide up to 59.5 dB analog gain for low-level microphone inputs. The TLV320AIC3107 provides an extremely high range of programmability for both attack (8-1,408 ms) and for decay (0.05-22.4 seconds). This extended AGC range allows the AGC to be tuned for many types of applications.

For battery saving applications where neither analog nor digital signal processing are required, the device can be put in a special analog signal passthru mode. This mode significantly reduces power consumption, as most of the device is powered down during this pass through operation.

The serial control bus supports I²C protocol, while the serial audio data bus is programmable for I²S, left/right-justified, DSP, or TDM modes. A highly programmable PLL is included for flexible clock generation and support for all standard audio rates from a wide range of available MCLKs, varying from 512 kHz to 50 MHz, with special attention paid to the most popular cases of 12-MHz, 13-MHz, 16-MHz, 19.2-MHz, and 19.68-MHz system clocks.

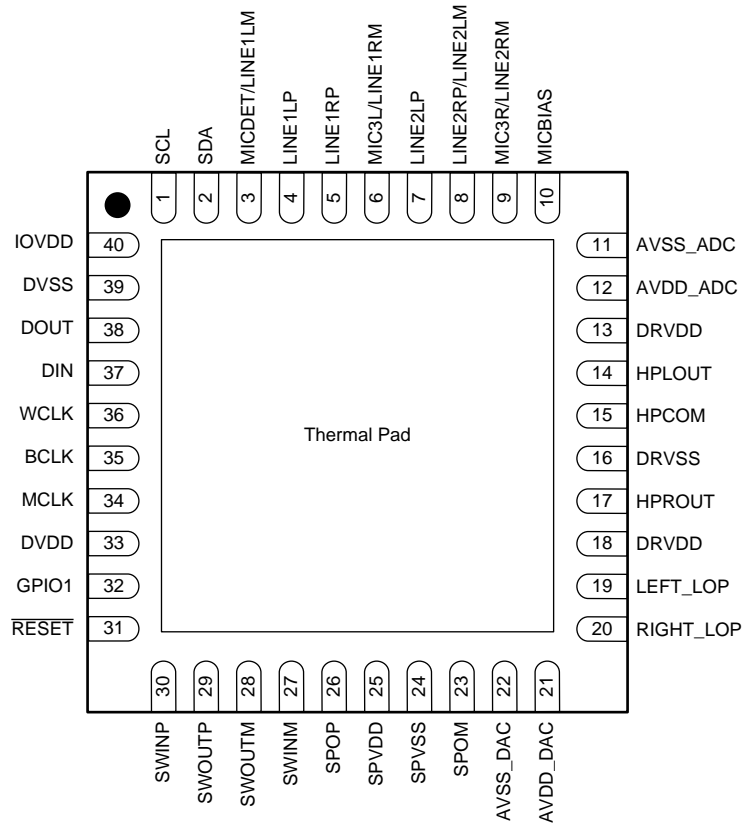
The TLV320AIC3107 operates from an analog supply of 2.7 V–3.6 V, a digital core supply of 1.65 V–1.95 V, a digital I/O supply of 1.1 V–3.6 V, and a speaker amplifier supply of 2.7V–5.5V. The device is available in the 5 × 5-mm, 40-pin QFN package and in the future a 3.5 × 3-mm, 42-lead DSBGA package.

The record path of the TLV320AIC3107 contains integrated microphone bias, digitally controlled stereo microphone preamplifier, and automatic gain control (AGC), with mix/mux capability among the multiple analog inputs. Programmable filters are available during record which can remove audible noise that can occur during optical zooming in digital cameras. The playback path includes mix/mux capability from the stereo DAC and selected inputs, through programmable volume controls, to the various outputs.

The TLV320AIC3107 contains three high-power output drivers as well as two single-ended line output drivers, and a differential class-D output driver.

7 Pin Configuration and Functions

RSB Package
40-Pin WQFN With Exposed Thermal Pad
Bottom View



YZF Package
42-Pin DSBGA (6 × 7)
Bottom View

	6	5	4	3	2	1	
A	MIC3R/LINE2RM	LINE2RP/LINE1LM	MIC3L/LINE1RM	LINE1LP	MICDET/LINE1LM	SCL	A
B	AVSS_ADC	MICBIAS	LINE2LP	LINE1RP	IOVDD	SDA	B
C	HPLOUT	DRVDD	AVDD_ADC	DVSS	DIN	DOUT	C
D	HPROUT	HPCOM	DRVSS	DVDD	BCLK	WCLK	D
E	LEFT_LOP	DRVDD	SWINM	SWINP	GPIO1	MCLK	E
F	RIGHT_LOP	AVDD_DAC	SPOM	SPOP	SPVSS	RESET	F
G	AVSS_DAC	SPVSS	SPVDD	SPVSS	SPVSS	SPVSS	G
	6	5	4	3	2	1	

Pin Functions

PIN			I/O	DESCRIPTION
QFN	WCSP ⁽¹⁾	NAME		
1	A1	SCL	I	I2C serial clock
2	B1	SDA	I/O	I2C serial data input/output
3	A2	MICDET/LINE1LM	I	MIC1 or Line1 analog input (left – or multifunctional) or Microphone detect
4	A3	LINE1LP	I	MIC1 or Line1 analog input (left + or multifunctional)
5	B3	LINE1RP	I	MIC1 or Line1 analog input (R + or multifunctional)
6	A4	MIC3L/LINE1RM	I	MIC3 or Line1 analog input (R - or multifunctional)
7	B4	LINE2LP	I	MIC2 or Line2 analog input (left + or multifunctional)
8	A5	LINE2RP/LINE2LM	I	MIC2 or Line2 analog input (left + or right - or multifunctional)
9	A6	MIC3R/LINE2RM	I	MIC3 or Line2 analog input (right + or multifunctional)
10	B5	MICBIAS	O	Microphone bias voltage output
11	B6	AVSS_ADC	G	ADC analog ground supply, 0 V
12	C4	AVDD_ADC	P	ADC analog voltage supply, 2.7 V–3.6 V
13	C5	DRVDD	P	High-power output driver analog voltage supply, 2.7 V–3.6 V
14	C6	HPLOUT	O	High-power output driver (left +)
15	D5	HPCOM	O	High-power output driver (left – or multifunctional)
16	D4	DRVSS	G	High-power output driver analog ground supply, 0 V
17	D6	HPROUT	O	High-power output driver (right +)
18	E5	DRVDD	P	High-power output driver analog voltage supply, 2.7 V–3.6 V
19	E6	LEFT_LOP	O	Left line output
20	F6	RIGHT_LOP	O	Right line output
21	F5	AVDD_DAC	P	DAC analog voltage supply, 2.7 V–3.6 V
22	G6	AVSS_DAC	G	DAC analog ground supply, 0 V
23	F4	SPOM	O	Class-D (or Bypass SW, WCSP only) negative differential output
24	F2, G1, G2, G3, G5	SPVSS	G	Class-D ground supply, 0 V
25	G4	SPVDD	P	Class-D voltage supply, 2.7 V–5.5 V
26	F3	SPOP	O	Class-D (or Bypass SW, WCSP only) positive differential output
27	E4	SWINM	I	Negative Bypass Switch Input
28	—	SWOUTM	O	Negative Bypass Switch Output, to be tied to SPOM externally
29	—	SWOUTP	O	Positive Bypass Switch Output, to be tied to SPOP externally
30	E3	SWINP	I	Positive Bypass Switch Input
31	F1	RESET	I	Reset
32	E2	GPIO1	I/O	General-purpose input/output
33	D3	DVDD	P	Digital core voltage supply, 1.525 V–1.95 V
34	E1	MCLK	I	Master clock input
35	D2	BCLK	I/O	Audio serial data bus bit clock (input/output)
36	D1	WCLK	I/O	Audio serial data bus word clock (input/output)
37	C2	DIN	I	Audio serial data bus data input (input)
38	C1	DOUT	O	Audio serial data bus data output (output)
39	C3	DVSS	G	Digital core / I/O ground supply, 0 V
40	B2	IOVDD	P	I/O voltage supply, 1.1 V–3.6 V

(1) Product Preview

8 Specifications

8.1 Absolute Maximum Ratings

 over operating free-air temperature range (unless otherwise noted)⁽¹⁾ ⁽²⁾

	MIN	MAX	UNIT
AVDD_DAC to AVSS_DAC, DRVDD to DRVSS, AVSS_ADC	–0.3	3.9	V
SPVDD to SPVSS	–0.3	6.0	V
AVDD to DRVSS	–0.3	3.9	V
IOVDD to DVSS	–0.3	3.9	V
DVDD to DVSS	–0.3	2.5	V
AVDD_DAC to DRVDD	–0.1	0.1	V
Digital input voltage to DVSS	–0.3	IOVDD + 0.3	V
Analog input voltage to AVSS_ADC	–0.3	AVDD + 0.3	V
Operating temperature range	–40	85	°C
T _J Max Junction temperature		105	°C
Power dissipation		(T _J Max – T _A)/θ _{JA}	
T _{stg} Storage temperature range	–65	105	°C

- (1) Stresses beyond those listed under Absolute Maximum Ratings may cause permanent damage to the device. These are stress ratings only, and functional operation of the device at these or any other conditions beyond those indicated under *Recommended Operating Conditions* is not implied. Exposure to absolute-maximum-rated conditions for extended periods may affect device reliability.
- (2) ESD compliance tested to EIA/JESD22-A114-B and passed.

8.2 ESD Ratings

	VALUE	UNIT
V _(ESD) Electrostatic discharge	Human-body model (HBM), per ANSI/ESDA/JEDEC JS-001 ⁽¹⁾	±2300
	Charged-device model (CDM), per JEDEC specification JESD22-C101 ⁽²⁾	±1000
		V

- (1) JEDEC document JEP155 states that 500-V HBM allows safe manufacturing with a standard ESD control process.
- (2) JEDEC document JEP157 states that 250-V CDM allows safe manufacturing with a standard ESD control process.

8.3 Recommended Operating Conditions

over operating free-air temperature range (unless otherwise noted)

	MIN	NOM	MAX	UNIT
AVDD_DAC, DRVDD ⁽¹⁾ Analog supply voltage	2.7	3.3	3.6	V
DVDD ⁽¹⁾ Digital core supply voltage	1.525	1.8	1.95	V
IOVDD ⁽¹⁾ Digital I/O supply voltage	1.1	1.8	3.6	V
SPVDD Speaker Amplifier supply voltage	2.7	3.6	5.5	V
V _I Analog full-scale 0 dB input voltage (DRVDD1 = 3.3 V) (Single Ended)		0.707		V _{RMS}
Stereo line output load resistance	10			kΩ
Stereo headphone output load resistance	16			Ω
Digital output load capacitance		10		pF
T _A Operating free-air temperature	–40		85	°C

- (1) Analog voltage values are with respect to AVSS_ADC, AVSS_DAC, DRVSS; digital voltage values are with respect to DVSS.

8.4 Thermal Information

THERMAL METRIC ⁽¹⁾		TLV320AIC3107		UNIT
		RSB	YZF	
		40 PINS	42 PINS	
$R_{\theta JA}$	Junction-to-ambient thermal resistance	30.7	49.5	°C/W
$R_{\theta JC(top)}$	Junction-to-case (top) thermal resistance	16	0.1	
$R_{\theta JB}$	Junction-to-board thermal resistance	4.6	7.1	
Ψ_{JT}	Junction-to-top characterization parameter	0.2	0.8	
Ψ_{JB}	Junction-to-board characterization parameter	4.5	7	
$R_{\theta JC(bot)}$	Junction-to-case (bottom) thermal resistance	0.9	n/a	

(1) For more information about traditional and new thermal metrics, see the *IC Package Thermal Metrics* application report, [SPRA953](#).

8.5 Dissipation Ratings⁽¹⁾

PACKAGE TYPE	$T_A = 25^\circ\text{C}$ POWER RATING	DERATING FACTOR	$T_A = 75^\circ\text{C}$ POWER RATING	$T_A = 85^\circ\text{C}$ POWER RATING
DSBGA ⁽²⁾	1.60 W	20 mW/°C	600 mW	400 mW
QFN	2.35 W	29.4 mW/°C	882 mW	588 mW

(1) This data was taken using 2 oz. trace and copper pad that is soldered directly to a JEDEC standard 4-layer 3 in x 3 in PCB.

(2) Product Preview

8.6 Electrical Characteristics

At 25°C, AVDD_DAC = 3.3 V, DRVDD = 3.3 V, SPVDD = 5 V, IOVDD = 3.3 V, DVDD = 1.8 V, Fs = 48-kHz, 16-bit audio data (unless otherwise noted)

PARAMETER	TEST CONDITIONS	MIN	TYP	MAX	UNIT
AUDIO ADC					
Input signal level (0 dB)	Single-ended input		0.707		V _{RMS}
Signal-to-noise ratio, A-weighted ^{(1) (2)}	Fs = 48 ksp/s, 0 dB PGA gain, Inputs ac-shortened to ground	80	92		dB
Dynamic range ⁽²⁾	Fs = 48 ksp/s, 0 dB PGA gain, -60 dB full-scale input signal		91		dB
THD Total harmonic distortion	Fs = 48 ksp/s, 0 dB PGA gain, -2dB full-scale 1kHz input signal		-88	-70	dB
Power supply rejection ratio	217 Hz signal applied to DRVDD		49		dB
	1 kHz signal applied to DRVDD		46		
Gain error	Fs = 48 ksp/s, 0 dB PGA gain, -2dB full-scale 1kHz input signal		0.84		dB
Input channel separation	1 kHz, -2dB full-scale signal, MIC3L to MIC3R		-86		dB
	1 kHz, -2dB full-scale signal, MIC2L to MIC2R		-98		
	1 kHz, -2dB full-scale signal, MIC1L to MIC1R		-75		
ADC programmable gain amplifier maximum gain	1-kHz input tone		59.5		dB
ADC programmable gain amplifier step size			0.5		dB
Input resistance	LINE1L inputs routed to single ADC Input mix attenuation = 0 dB		20		kΩ
	LINE1L inputs routed to single ADC, input mix attenuation = 12 dB		80		
	LINE2L inputs routed to single ADC Input mix attenuation = 0 dB		20		
	LINE2L inputs routed to single ADC, input mix attenuation = 12 dB		80		
Input level control minimum attenuation setting			0		dB
Input level control maximum attenuation setting			12		dB
Input signal level	Differential Input		1.414		V _{RMS}
Signal-to-noise ratio, A-weighted ^{(1) (2)}	Fs = 48 ksp/s, 0 dB PGA gain, Inputs ac-shortened to ground, Differential Mode		92		dB
THD Total harmonic distortion	Fs = 48 ksp/s, 0 dB PGA gain, -2dB Full-scale 1kHz input signal, Differential Mode		-91		dB
ANALOG PASS THROUGH MODE					
Input to output switch resistance, (r _{DS(on)})	LINE1L to LEFT_LOP		330		Ω
	LINE1R to RIGHT_LOP		330		
	SWINP to SWOUTP		1		
	SWINM to SWOUTM		1		
ADC DIGITAL DECIMATION FILTER, Fs = 48 kHz					
Filter gain from 0 to 0.39 Fs			±0.1		dB
Filter gain at 0.4125 Fs			-0.25		dB
Filter gain at 0.45 Fs			-3		dB
Filter gain at 0.5 Fs			-17.5		dB
Filter gain from 0.55 Fs to 64 Fs			-75		dB
Filter group delay			17/Fs		s

(1) Ratio of output level with 1-kHz full-scale sine-wave input, to the output level with the inputs short circuited, measured A-weighted over a 20-Hz to 20-kHz bandwidth using an audio analyzer.

(2) All performance measurements done with 20-kHz low-pass filter and, where noted, A-weighted filter. Failure to use such a filter may result in higher THD+N and lower SNR and dynamic range readings than shown in the Electrical Characteristics. The low-pass filter removes out-of-band noise, which, although not audible, may affect dynamic specification values.

Electrical Characteristics (continued)

At 25°C, AVDD_DAC = 3.3 V, DRVDD = 3.3 V, SPVDD = 5 V, IOVDD = 3.3 V, DVDD = 1.8 V, Fs = 48-kHz, 16-bit audio data (unless otherwise noted)

PARAMETER	TEST CONDITIONS	MIN	TYP	MAX	UNIT
MICROPHONE BIAS					
Bias voltage	Programmable setting = 2.0		2		V
	Programmable setting = 2.5	2.3	2.5	2.7	
	Programmable setting = DRVDD		DRVDD		
Current sourcing	Programmable setting = 2.5V		4		mA
AUDIO DAC - SINGLE ENDED LINE OUTPUT, LOAD = 10 kΩ					
Full-scale output voltage	0 dB Input full-scale signal, output volume control = 0 dB, Output common mode setting = 1.35 V		0.707		Vrms
Signal-to-noise ratio, A-weighted	No input signal, output volume control = 0 dB, Output common mode setting = 1.35 V, Fs = 48 kHz		97		dB
Total harmonic distortion	0 dB 1 kHz input full-scale signal, Output volume control = 0 dB, Output common mode setting = 1.35 V, Fs = 48 kHz		-84	-70	dB
DAC Gain Error	0 dB 1 kHz input full-scale signal, Output volume control = 0 dB, Output common mode setting = 1.35 V, Fs = 48 kHz		-0.8		dB
AUDIO DAC - SINGLE ENDED HEADPHONE OUTPUT, LOAD = 16 Ω					
Full-scale output voltage	0 dB Input full-scale signal, Output volume control = 0 dB, Output common mode setting = 1.35 V		0.707		Vrms
Signal-to-noise ratio, A-weighted	No input signal, output volume control = 0 dB, Output common mode setting = 1.35 V, Fs = 48 kHz		95		dB
	No input signal, output volume control = 0 dB, Output common mode setting = 1.35 V, Fs = 48 kHz, 50% DAC Current Boost Mode		96		dB
Dynamic range, A-weighted	-60 dB 1 kHz input full-scale signal, Output volume control = 0 dB, Output common mode setting = 1.35 V, Fs = 48 kHz		92		dB
Total harmonic distortion	0 dB 1 kHz input full-scale signal, Output volume control = 0 dB, Output common mode setting = 1.35 V, Fs = 48 kHz		-84	-65	dB
Power supply rejection ratio	217 Hz Signal applied to DRVDD, AVDD_DAC		41		dB
	1 kHz Signal applied to DRVDD, AVDD_DAC		44		
DAC channel separation	0 dB Full-scale input signal between left and right Lineout		84		dB
DAC Gain Error	0 dB 1 kHz input full-scale signal, Output volume control = 0 dB, Output common mode setting = 1.35 V, Fs = 48 kHz		-1		dB
AUDIO DAC - LINEOUT AND HEADPHONE OUT DRIVERS					
Output common mode	First option		1.35		V
	Second option		1.5		
	Third option		1.65		
	Fourth option		1.8		
Output volume control max setting			9		dB
Output volume control step size			1		dB

Electrical Characteristics (continued)

At 25°C, AVDD_DAC = 3.3 V, DRVDD = 3.3 V, SPVDD = 5 V, IOVDD = 3.3 V, DVDD = 1.8 V, Fs = 48-kHz, 16-bit audio data (unless otherwise noted)

PARAMETER	TEST CONDITIONS	MIN	TYP	MAX	UNIT
SPEAKER AMPLIFIER OUTPUT, LOAD = 8 Ω					
Full-scale output voltage	1 kHz, 0dB full-scale input signal, Output volume control for left line output = 0 dB, for class-D = 0 dB Output common mode setting = 1.35 V, Fs = 48 kHz		2.5		Vrms
Output voltage	1 kHz, 0dB full-scale input signal, Output volume control for left line output = -4.5 dB, for class-D = 6 dB Output common mode setting = 1.35 V, Fs = 48 kHz		2.875		Vrms
Idle Channel Noise	No input signal, output gain control = 0 dB		-92		dB
Dynamic range, A-weighted	1 kHz, -60 dB full-scale input signal, Output volume control for left line output = 0 dB, for class-D = 0 dB Output common mode setting = 1.35 V, Fs = 48 kHz		91		dB
Total harmonic distortion	1 kHz, 0 dB full-scale input signal, Output volume control for left line output = -4.5 dB, for class-D = 6 dB Output common mode setting = 1.35 V, Fs = 48 kHz, 1 W output power		1.77% -35		dB
Total harmonic distortion	1 kHz, -6 dB full-scale input signal, Output volume control for left line output = -4.5 dB, for class-D = 6 dB Output common mode setting = 1.35 V, Fs = 48 kHz, 250 mW output power		0.056% -65	0.316% -50	dB
Power supply rejection ratio	217 Hz Signal applied to SPVDD		37		dB
	1 kHz Signal applied to SPVDD		33		
Gain Error	1 kHz, 0 dB input full-scale signal, Output volume control = 0 dB, Output common mode setting = 1.35 V, Fs = 48 kHz		-1.6		dB
DAC DIGITAL INTERPOLATION – FILTER Fs = 48-ksps					
Passband		0		0.45 × Fs	Hz
Passband ripple			±0.06		dB
Transition band		0.45 × Fs		0.55 × Fs	Hz
Stopband		0.55 × Fs		7.5 × Fs	Hz
Stopband attenuation			65		dB
Group delay			21/Fs		s
DIGITAL I/O					
V _{IL} Input low level		-0.3		0.3 × IOVDD	V
V _{IH} Input high level ⁽³⁾	IOVDD > 1.6 V	0.7 × IOVDD			V
	IOVDD < 1.6 V	1.1			V
V _{OL} Output low level				0.1 × IOVDD	V
V _{OH} Output high level		0.8 × IOVDD			V

 (3) When IOVDD < 1.6V, minimum V_{IH} is 1.1 V.

Electrical Characteristics (continued)

At 25°C, AVDD_DAC = 3.3 V, DRVDD = 3.3 V, SPVDD = 5 V, IOVDD = 3.3 V, DVDD = 1.8 V, Fs = 48-kHz, 16-bit audio data (unless otherwise noted)

PARAMETER	TEST CONDITIONS		MIN	TYP	MAX	UNIT	
POWER CONSUMPTION, DRVDD, AVDD_DAC = 3.3 V, SPVDD = 5V, DVDD = 1.8 V, IOVDD = 3.3 V							
	IDRVDD+IAVDD_DAC	RESET Held low				0.1	μA
	IDVDD					0.2	
	IDRVDD+IAVDD_DAC	Mono ADC record, Fs = 8 ksps, I2S Slave, AGC Off, No signal				2.1	mA
	IDVDD					0.5	
	IDRVDD+IAVDD_DAC	Stereo ADC record, Fs = 8 ksps, I2S Slave, AGC Off, No signal				4.1	mA
	IDVDD					0.6	
	IDRVDD+IAVDD_DAC	Stereo ADC record, Fs = 48 ksps, I2S Slave, AGC Off, No signal				4.3	mA
	IDVDD					2.5	
	IDRVDD+IAVDD_DAC	Stereo DAC Playback to Lineout , Analog mixer bypassed Fs = 48 ksps, I2S Slave				3.5	mA
	IDVDD					2.3	
	IDRVDD+IAVDD_DAC	Stereo DAC Playback to Lineout, Fs = 48 ksps, I2S Slave, No signal				4.9	mA
	IDVDD					2.3	
	IDRVDD+IAVDD_DAC	Stereo DAC Playback to stereo single-ended headphone, Fs = 48 ksps, I2S Slave, No signal				6.7	mA
	IDVDD					2.3	
	IDRVDD+IAVDD_DAC	Stereo LINEIN to stereo LINEOUT, No signal				3.1	mA
	IDVDD					0	
	IDRVDD+IAVDD_DAC	Extra power when PLL enabled				1.4	mA
	IDVDD					0.9	
	IDRVDD+IAVDD_DAC	All blocks powered down, Headset detection enabled				28	μA
	IDVDD					2	
	SPVDD	class-D disabled				200	nA

8.7 Audio Data Serial Interface Timing Requirements⁽¹⁾⁽²⁾

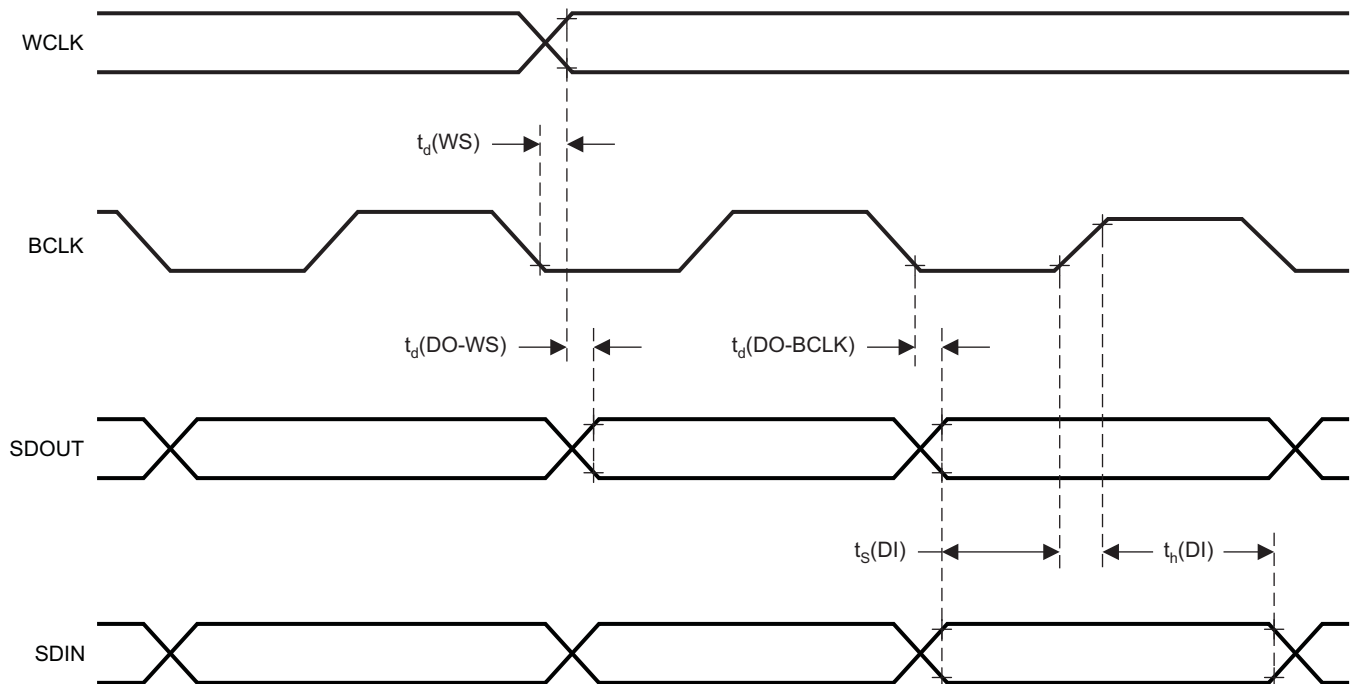
		IOVDD = 1.1 V		IOVDD = 3.3 V		UNIT
		MIN	MAX	MIN	MAX	
I²S/LJF/RJF TIMING IN MASTER MODE, SEE Figure 1						
t _d (WS)	ADWS/WCLK delay time	50		15		ns
t _d (DO-WS)	ADWS/WCLK to DOUT delay time	50		20		ns
t _d (DO-BCLK)	BCLK to DOUT delay time	50		15		ns
t _s (DI)	DIN setup time	10		6		ns
t _h (DI)	DIN hold time	10		6		ns
t _r	Rise time	30		10		ns
t _f	Fall time	30		10		ns
DSP TIMING IN MASTER MODE, SEE Figure 2						
t _d (WS)	ADWS/WCLK delay time	50		15		ns
t _d (DO-BCLK)	BCLK to DOUT delay time	50		15		ns
t _s (DI)	DIN setup time	10		6		ns
t _h (DI)	DIN hold time	10		6		ns
t _r	Rise time	30		10		ns
t _f	Fall time	30		10		ns

(1) All timing specifications are measured at characterization but not tested at final test.

(2) All specifications at 25°C, DVDD = 1.8 V

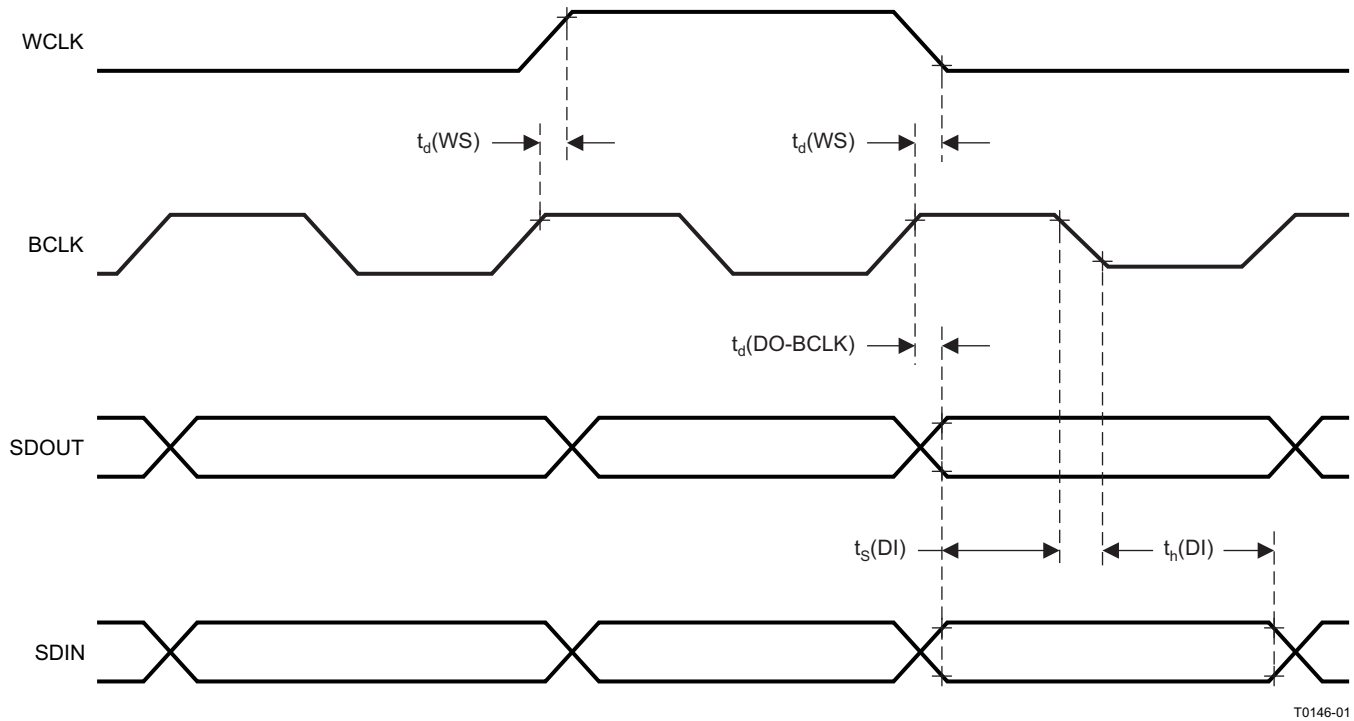
Audio Data Serial Interface Timing Requirements⁽¹⁾⁽²⁾ (continued)

		IOVDD = 1.1 V		IOVDD = 3.3 V		UNIT
		MIN	MAX	MIN	MAX	
I²S/LJF/RJF TIMING IN SLAVE MODE, SEE Figure 3						
t _p (BCLK)	BCLK clock period					ns
t _H (BCLK)	BCLK high period	70		35		ns
t _L (BCLK)	BCLK low period	70		35		ns
t _s (WS)	ADWS/WCLK setup time	10		6		ns
t _h (WS)	ADWS/WCLK hold time	10		6		ns
t _d (DO-WS)	ADWS/WCLK to DOUT delay time (for LJF Mode only)		25		35	ns
t _d (DO-BCLK)	BCLK to DOUT delay time		50		20	ns
t _s (DI)	DIN setup time	10		6		ns
t _h (DI)	DIN hold time	10		6		ns
t _r	Rise time		8		4	ns
t _f	Fall time		8		4	ns
DSP TIMING IN SLAVE MODE, SEE Figure 4						
t _p (BCLK)	BCLK clock period					ns
t _H (BCLK)	BCLK high period	70		35		ns
t _L (BCLK)	BCLK low period	70		35		ns
t _s (WS)	ADWS/WCLK setup time	10		8		ns
t _h (WS)	ADWS/WCLK hold time	10		8		ns
t _d (DO-BCLK)	BCLK to DOUT delay time		50		20	ns
t _s (DI)	DIN setup time	10		6		ns
t _h (DI)	DIN hold time	10		6		ns
t _r	Rise time		8		4	ns
t _f	Fall time		8		4	ns



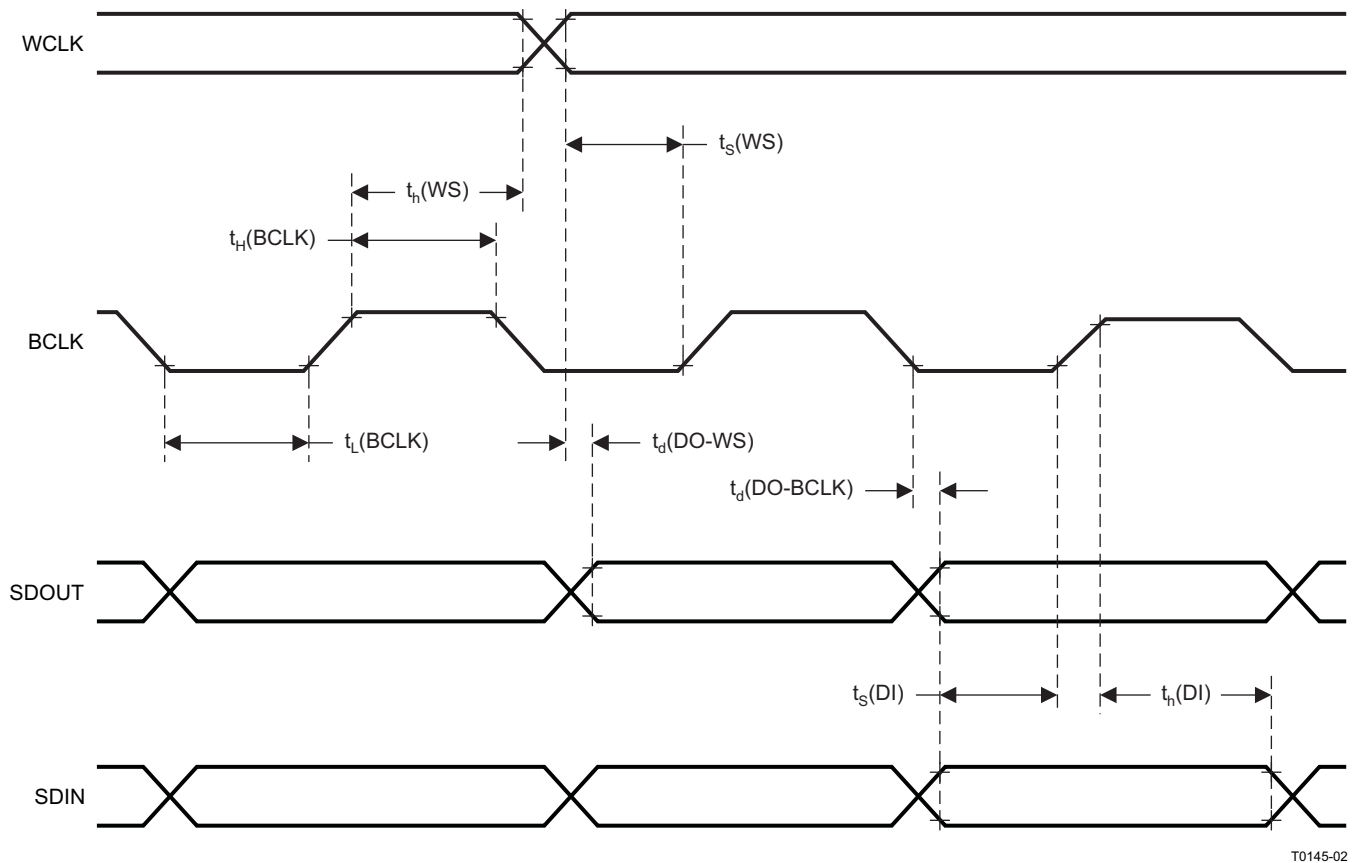
T0145-01

Figure 1. I²S/LJF/RJF Timing in Master Mode



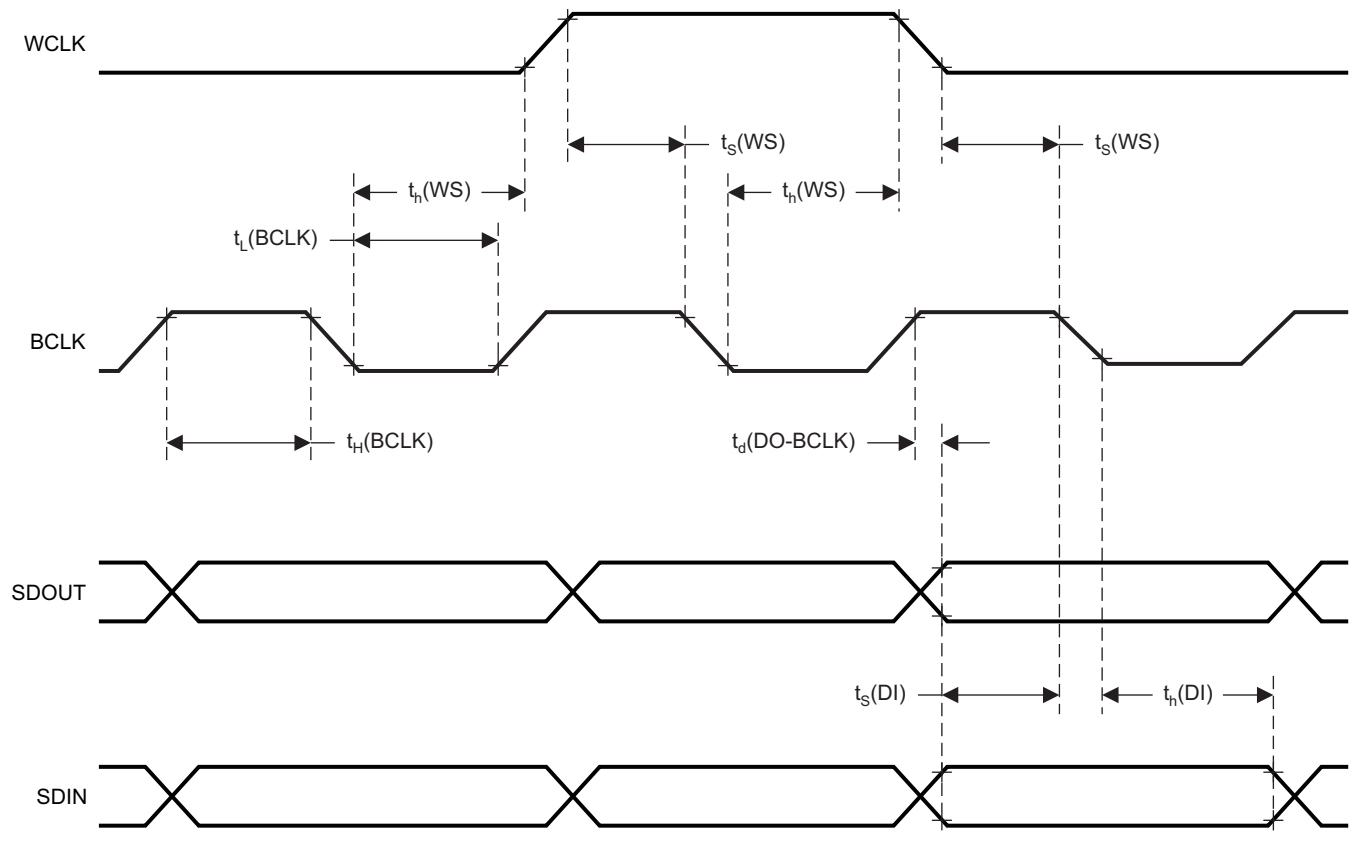
T0146-01

Figure 2. DSP Timing in Master Mode



T0145-02

Figure 3. I²S/LJF/RJF Timing in Slave Mode



T0146-02

Figure 4. DSP Timing in Slave Mode

8.8 Typical Characteristics

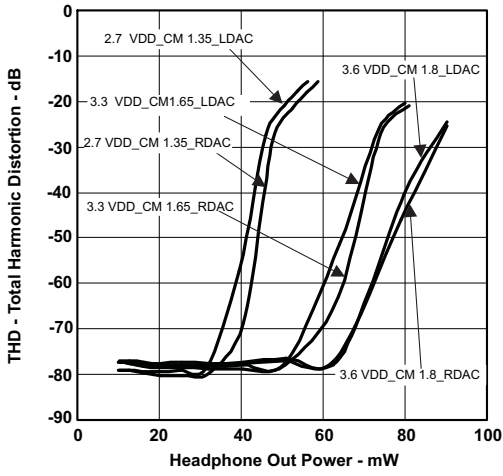


Figure 5. Total Harmonic Distortion vs Headphone Out Power

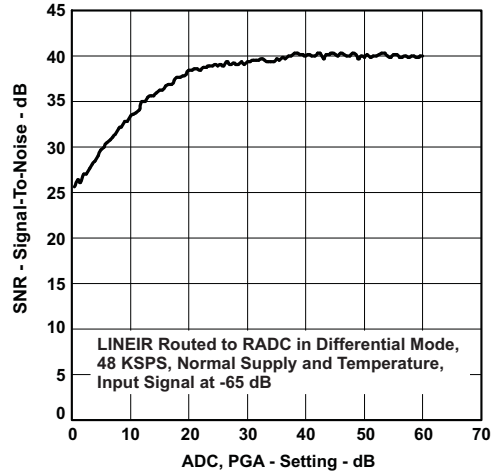


Figure 6. Signal-to-Noise Ratio vs ADC PGA Setting

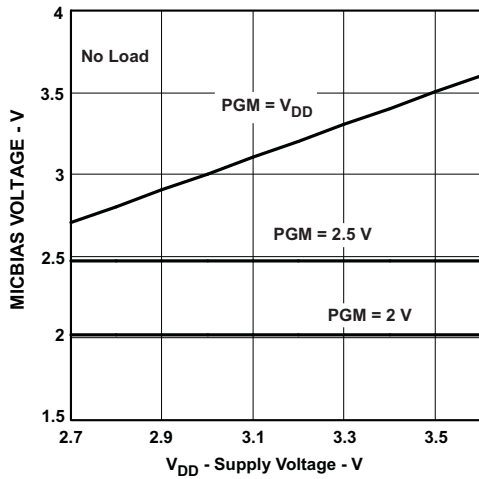


Figure 7. MICBIAS Voltage vs Supply Voltage

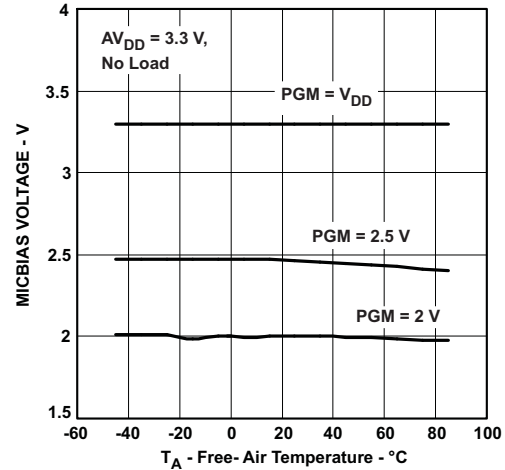


Figure 8. MICBIAS Voltage vs Free-Air Temperature

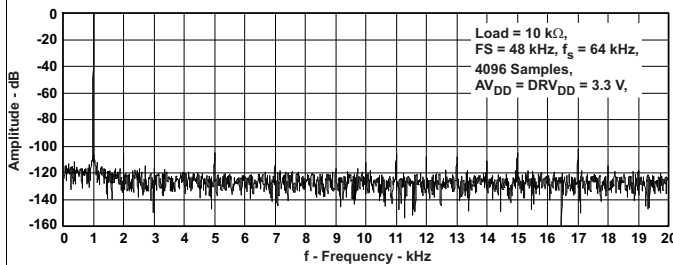


Figure 9. Left DAC FFT

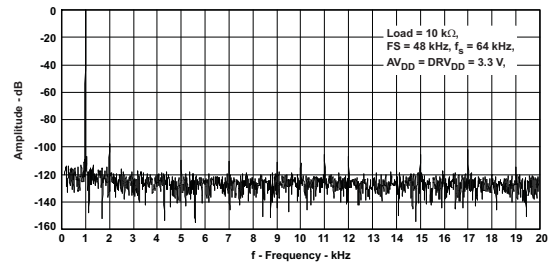


Figure 10. Right DAC FFT

Typical Characteristics (continued)

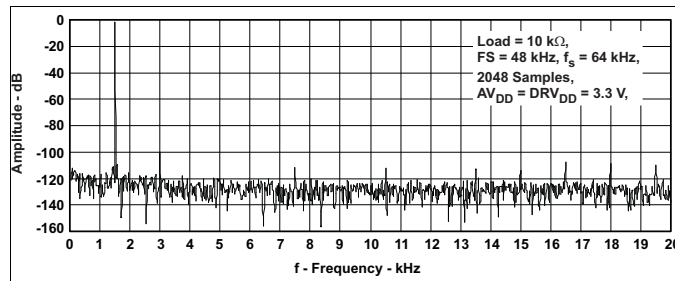


Figure 11. Left ADC FFT

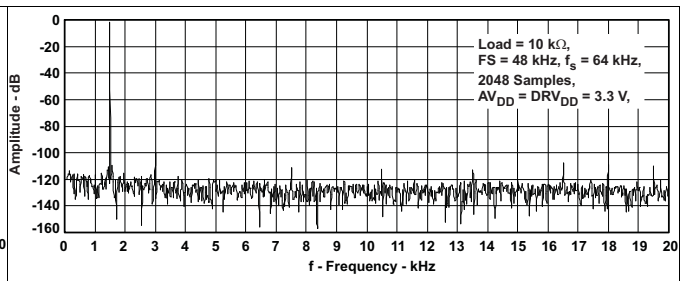


Figure 12. Right ADC FFT

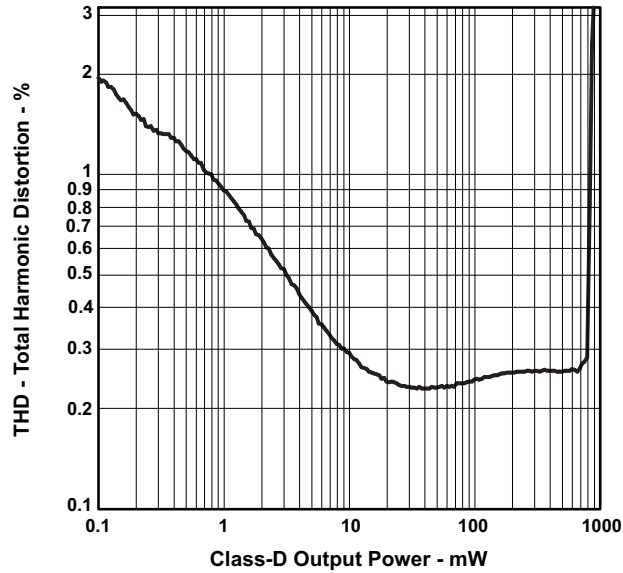


Figure 13. Total Harmonic Distortion vs Class-D Output Power

9 Parameter Measurement Information

All parameters are measured according to the conditions described in the [Specifications](#) section.

10 Detailed Description

10.1 Overview

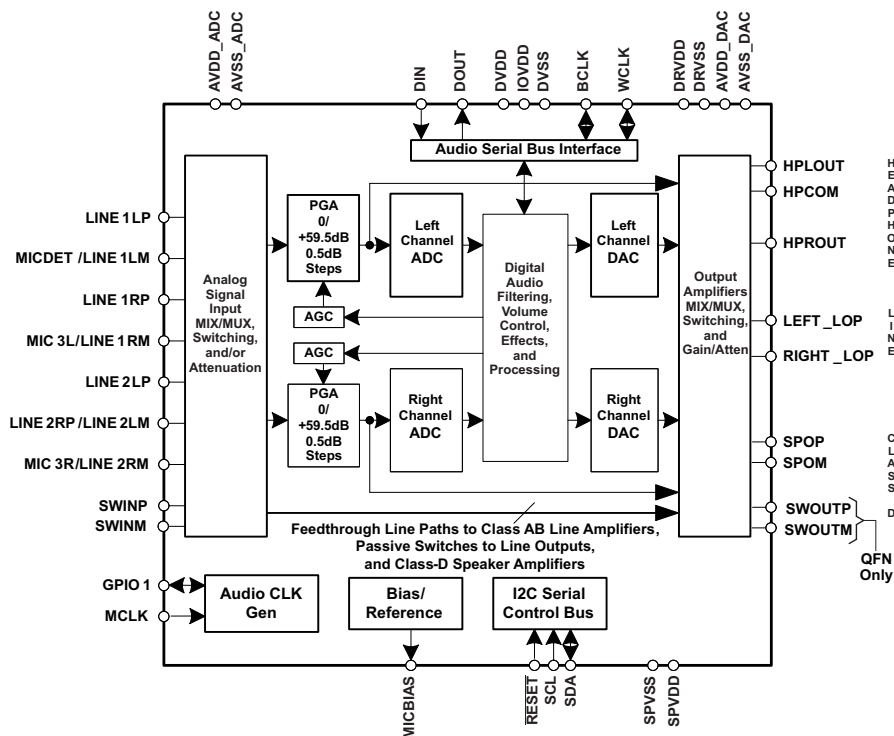
The TLV320AIC3107 is a highly flexible, low power, stereo audio codec with extensive feature integration, intended for applications in smartphones, PDAs, and portable computing, communication, and entertainment applications. Available in a 5x5mm 40-lead QFN, the product integrates a host of features to reduce cost, board space, and power consumption in space-constrained, battery-powered, portable applications.

The TLV320AIC3107 consists of the following blocks:

- Stereo audio multi-bit delta-sigma DAC (8 kHz–96 kHz)
- Stereo audio multi-bit delta-sigma ADC (8 kHz–96 kHz)
- Programmable digital audio effects processing (3-D, bass, treble, mid-range, EQ, notch filter, de-emphasis)
- Seven audio inputs
- Three high-power audio output drivers (headphone drive capability)
- Two single-ended line output drivers
- Fully programmable PLL
- Headphone/headset jack detection with interrupt
- Differential Class-D speaker driver

Communication to the TLV320AIC3107 for control is via I²C. The I²C interface supports both standard and fast communication modes.

10.2 Functional Block Diagram



Connect QFN thermal pad to DRVSS.

10.3 Feature Description

10.3.1 Hardware Reset

The TLV320AIC3107 requires a hardware reset after power-up for proper operation. After all power supplies are at their specified values, the **RESET** pin must be driven low for at least 10 ns. If this reset sequence is not performed, the TLV320AIC3107 may not respond properly to register reads/writes.

10.3.2 Digital Audio Data Serial Interface

Audio data is transferred between the host processor and the TLV320AIC3107 via the digital audio data serial interface, or *audio bus*. The audio bus on this device is flexible, including left or right justified data options, support for I²S or PCM protocols, programmable data length options, a TDM mode for multichannel operation, flexible master/slave configurability for each bus clock line, and the ability to communicate with multiple devices within a system directly.

The audio bus of the TLV320AIC3107 can be configured for left or right justified, I²S, DSP, or TDM modes of operation, where communication with standard telephony PCM interfaces is supported within the TDM mode. These modes are all MSB-first, with data width programmable as 16, 20, 24, or 32 bits. In addition, the word clock (WCLK or GPIO1) and bit clock (BCLK) can be independently configured in either Master or Slave mode, for flexible connectivity to a wide variety of processors

The word clock (WCLK or GPIO1) is used to define the beginning of a frame, and may be programmed as either a pulse or a square-wave signal. The frequency of this clock corresponds to the maximum of the selected ADC and DAC sampling frequencies.

The bit clock (BCLK) is used to clock in and out the digital audio data across the serial bus. When in Master mode, this signal can be programmed in two further modes: continuous transfer mode, and 256-clock mode. In continuous transfer mode, only the minimal number of bit clocks needed to transfer the audio data are generated, so in general the number of bit clocks per frame will be two times the data width. For example, if data width is chosen as 16-bits, then 32 bit clocks will be generated per frame. If the bit clock signal in master mode will be used by a PLL in another device, it is recommended that the 16-bit or 32-bit data width selections be used. These cases result in a low jitter bit clock signal being generated, having frequencies of 32×Fs or 64×Fs. In the cases of 20-bit and 24-bit data width in master mode, the bit clocks generated in each frame will not all be of equal period, due to the device not having a clean 40×Fs or 48×Fs clock signal readily available. The average frequency of the bit clock signal is still accurate in these cases (being 40×Fs or 48×Fs), but the resulting clock signal has higher jitter than in the 16-bit and 32-bit cases.

In 256-clock mode, a constant 256 bit clocks per frame are generated, independent of the data width chosen. The TLV320AIC3107 further includes programmability to 3-state the DOUT line during all bit clocks when valid data is not being sent. By combining this capability with the ability to program at what bit clock in a frame the audio data will begin, time-division multiplexing (TDM) can be accomplished, resulting in multiple codecs able to use a single audio serial data bus.

When the audio serial data bus is powered down while configured in master mode, the pins associated with the interface will be put into a 3-state output condition.

10.3.2.1 Right Justified Mode

In right-justified mode, the LSB of the left channel is valid on the rising edge of the bit clock preceding the falling edge of word clock. Similarly, the LSB of the right channel is valid on the rising edge of the bit clock preceding the rising edge of the word clock.

Feature Description (continued)

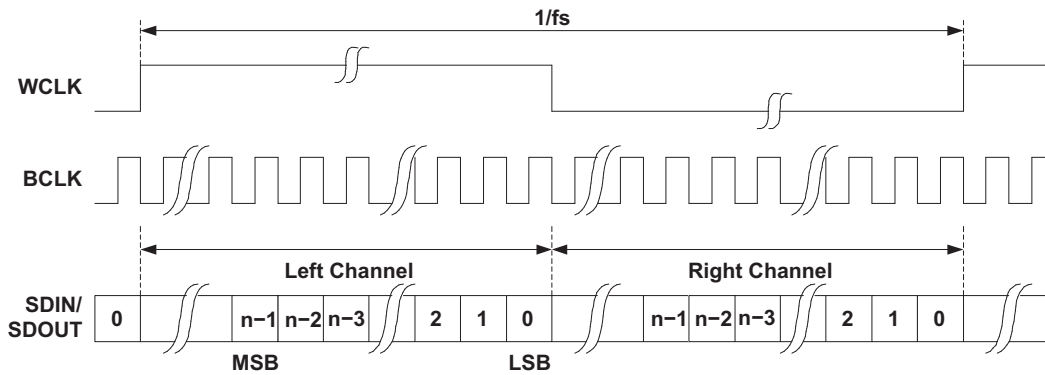


Figure 14. Right Justified Serial Bus Mode Operation

10.3.2.2 Left Justified Mode

In left-justified mode, the MSB of the right channel is valid on the rising edge of the bit clock following the falling edge of the word clock. Similarly the MSB of the left channel is valid on the rising edge of the bit clock following the rising edge of the word clock.

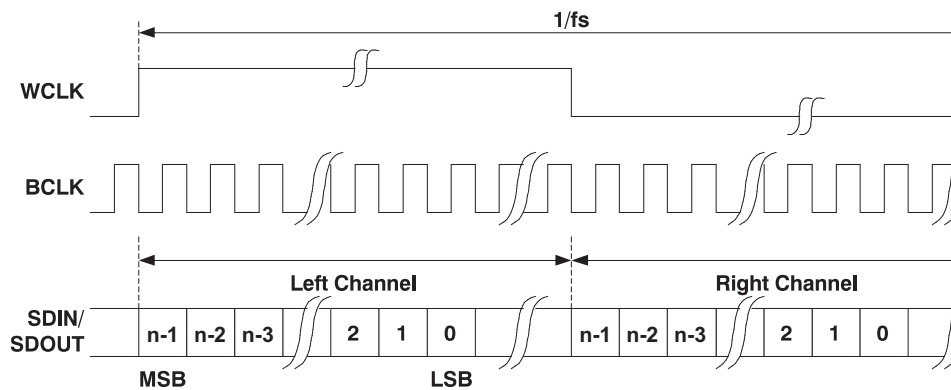


Figure 15. Left Justified Serial Data Bus Mode Operation

10.3.2.3 I²S Mode

In I²S mode, the MSB of the left channel is valid on the second rising edge of the bit clock after the falling edge of the word clock. Similarly the MSB of the right channel is valid on the second rising edge of the bit clock after the rising edge of the word clock.

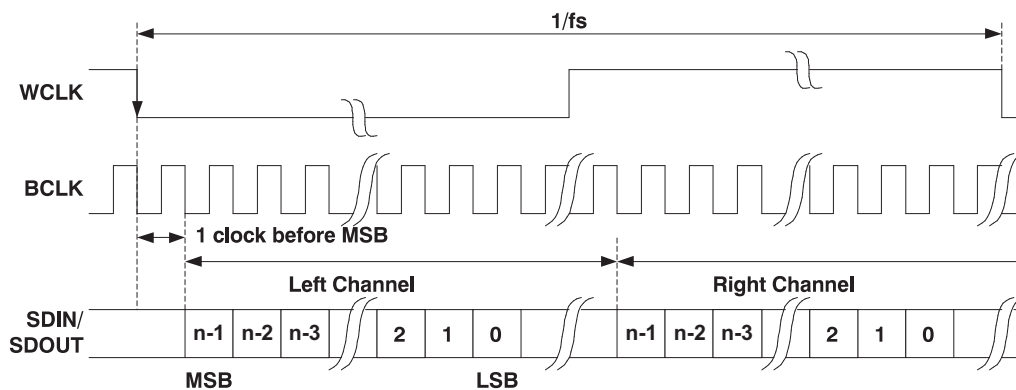
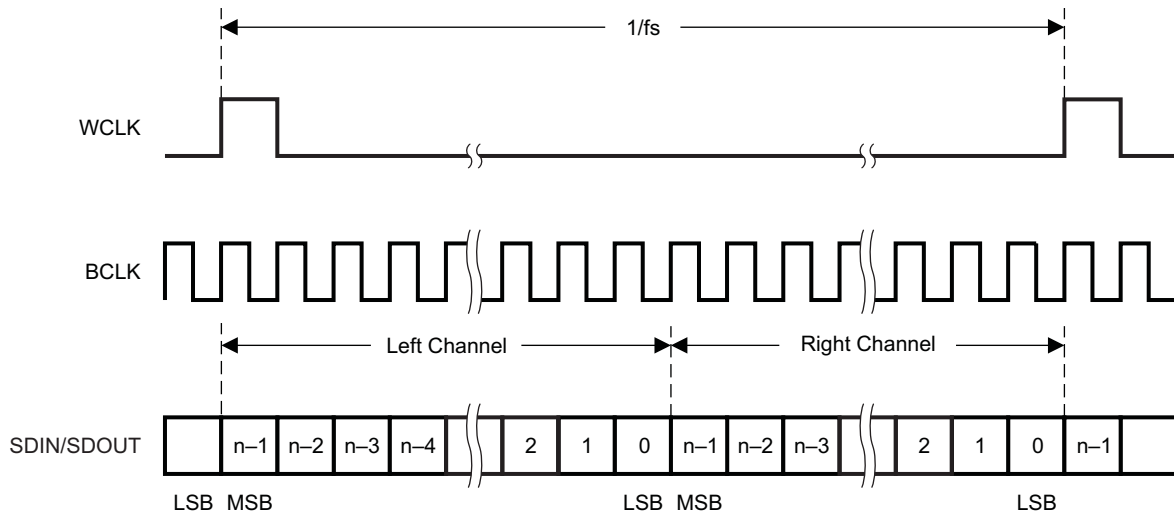


Figure 16. I²S Serial Data Bus Mode Operation

Feature Description (continued)

10.3.2.4 DSP Mode

In DSP mode, the rising edge of the word clock starts the data transfer with the left channel data first and immediately followed by the right channel data. Each data bit is valid on the falling edge of the bit clock.



T0152-01

Figure 17. DSP Serial Bus Mode Operation

10.3.2.5 TDM Data Transfer

Time-division multiplexed data transfer can be realized in any of the above transfer modes if the 256-clock bit clock mode is selected, although it is recommended to be used in either left-justified mode or DSP mode. By changing the programmable offset, the bit clock in each frame where the data begins can be changed, and the serial data output driver (DOUT) can also be programmed to 3-state during all bit clocks except when valid data is being put onto the bus. This allows other codecs to be programmed with different offsets and to drive their data onto the same DOUT line, just in a different slot. For incoming data, the codec simply ignores data on the bus except where it is expected based on the programmed offset.

Note that the location of the data when an offset is programmed is different, depending on what transfer mode is selected. In DSP mode, both left and right channels of data are transferred immediately adjacent to each other in the frame. This differs from left-justified mode, where the left and right channel data will always be a half-frame apart in each frame. In this case, as the offset is programmed from zero to some higher value, both the left and right channel data move across the frame, but still stay a full half-frame apart from each other. This is depicted in [Figure 18](#) for the two cases.

Feature Description (continued)

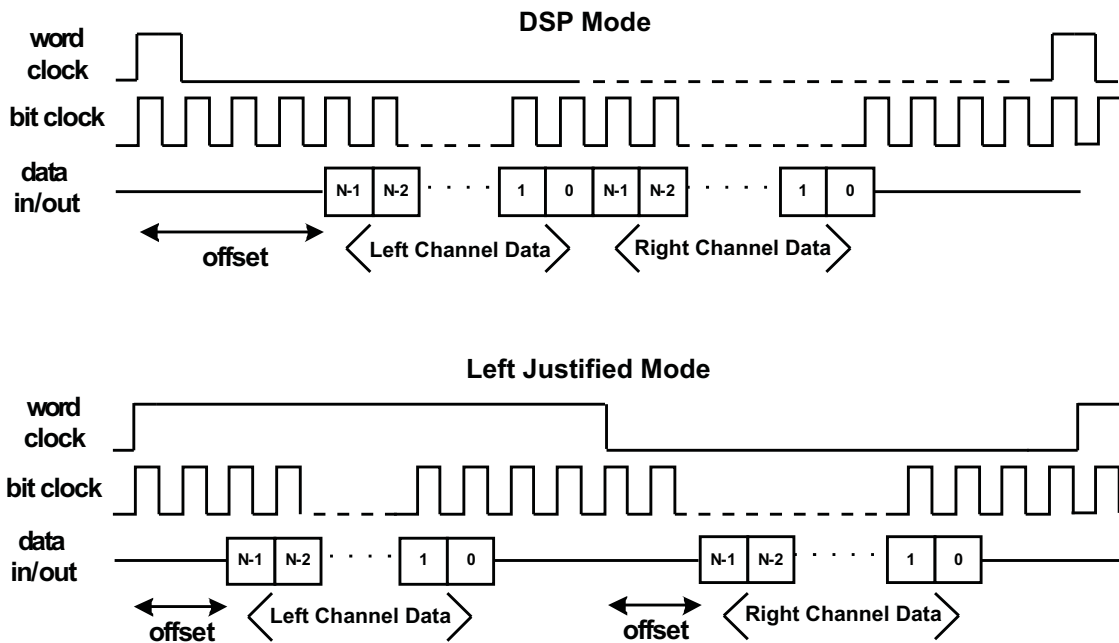


Figure 18. DSP Mode and Left Justified Modes, Showing the Effect of a Programmed Data Word Offset

10.3.3 Audio Data Converters

The TLV320AIC3107 supports the following standard audio sampling rates: 8 kHz, 11.025 kHz, 12 kHz, 16 kHz, 22.05 kHz, 24 kHz, 32 kHz, 44.1 kHz, 48 kHz, 88.2 kHz, and 96 kHz. The converters can also operate at different sampling rates in various combinations, which are described further below.

The data converters are based on the concept of an F_{sref} rate that is used internal to the part, and it is related to the actual sampling rates of the converters through a series of ratios. For typical sampling rates, F_{sref} will be either 44.1 kHz or 48 kHz, although it can realistically be set over a wider range of rates up to 53 kHz, with additional restrictions applying if the PLL is used. This concept is used to set the sampling rates of the ADC and DAC, and also to enable high quality playback of low sampling rate data, without high frequency audible noise being generated.

The sampling rate of the ADC and DAC can be set to $F_{sref}/NDAC$ or $2 \times F_{sref}/NDAC$, with $NDAC$ being 1, 1.5, 2, 2.5, 3, 3.5, 4, 4.5, 5, 5.5, or 6.

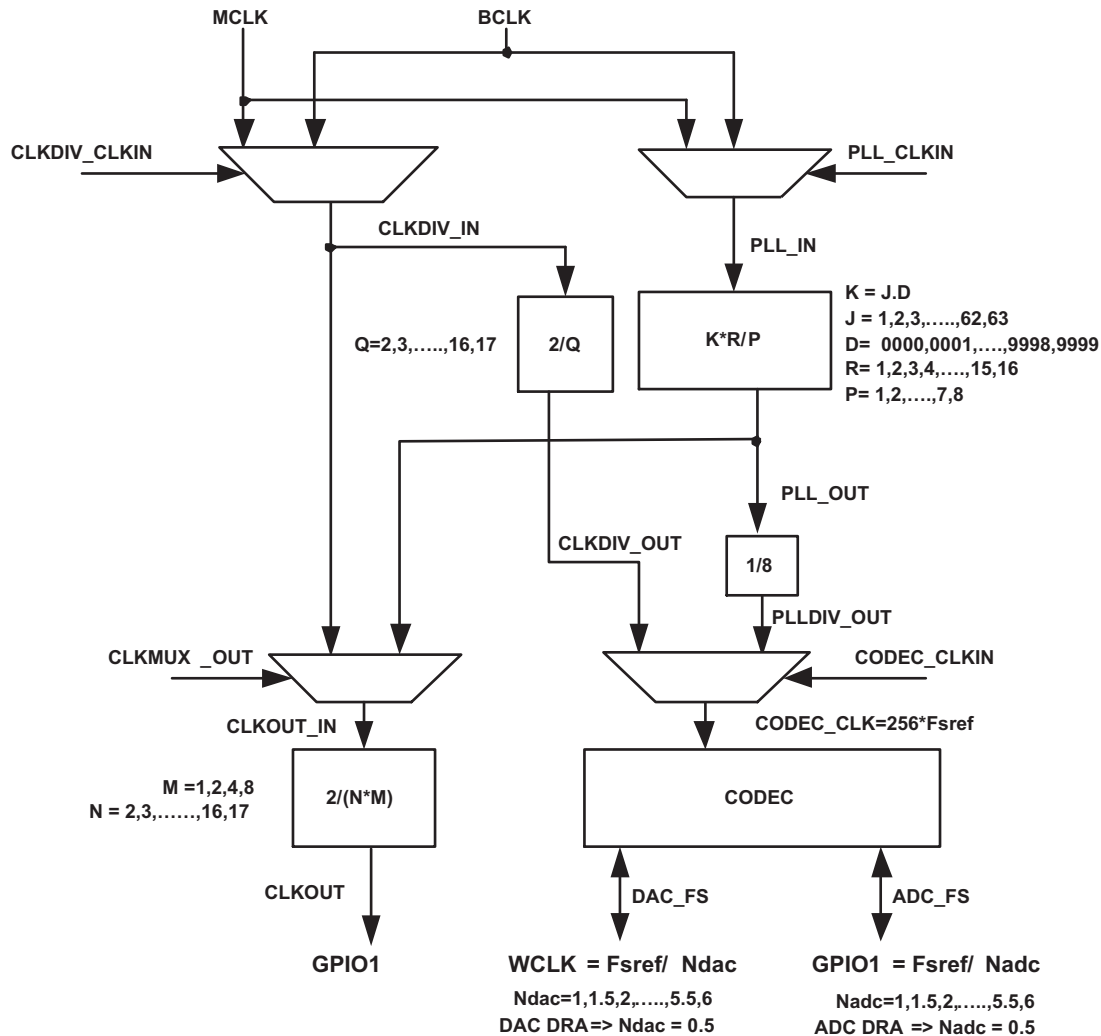
While only one F_{sref} can be used at a time in the part, the ADC and DAC sampling rates can differ from each other by using different $NADC$ and $NDAC$ divider ratios for each. For example, with $F_{sref}=44.1$ -kHz, the DAC sampling rate can be set to 44.1-kHz by using $NDAC=1$, while the ADC sampling rate can be set to 8.018-kHz by using $NADC=5.5$.

When the ADCs and DACs are operating at different sampling rates, an additional word clock is required, to provide information regarding where data begins for the ADC versus the DAC. In this case, the standard bit clock signal is used to transfer both ADC and DAC data, the standard word clock signal is used to identify the start of the DAC data, and a separate ADC word clock signal (denoted $ADWK$) is used. This clock can be supplied or generated from $GPIO1$ at the same time the DAC word clock is supplied or generated from $WCLK$.

10.3.3.1 Audio Clock Generation

The audio converters in the TLV320AIC3107 need an internal audio master clock at a frequency of $256 \times F_{sref}$, which can be obtained in a variety of manners from an external clock signal applied to the device.

A more detailed diagram of the audio clock section of the TLV320AIC3107 is shown in [Figure 19](#).

Feature Description (continued)

Figure 19. Audio Clock Generation Processing

The part can accept an MCLK input from 512 kHz to 50 MHz, which can then be passed through either a programmable divider or a PLL, to get the proper internal audio master clock needed by the part. The BCLK input can also be used to generate the internal audio master clock.

A primary concern is proper operation of the codec at various sample rates with the limited MCLK frequencies available in the system. This device includes a highly programmable PLL to accommodate such situations easily. The integrated PLL can generate audio clocks from a wide variety of possible MCLK inputs, with particular focus paid to the standard MCLK rates already widely used.

When the PLL is disabled,

$$F_{sref} = \text{CLKDIV_IN} / (128 \times Q) \quad (1)$$

Where $Q = 2, 3, \dots, 17$

CLKDIV_IN can be MCLK or BCLK, selected by register 102, bits D7-D6.

NOTE – when $N_{DAC} = 1.5, 2.5, 3.5, 4.5, \text{ or } 5.5$, odd values of Q are not allowed. In this mode, MCLK can be as high as 50 MHz, and F_{sref} should fall within 39 kHz to 53 kHz.

When the PLL is enabled,

$$F_{sref} = (\text{PLLCLK_IN} \times K \times R) / (2048 \times P)$$

Feature Description (continued)

where

- $P = 1, 2, 3, \dots, 8$
- $R = 1, 2, \dots, 16$
- $K = J.D$
- $J = 1, 2, 3, \dots, 63$
- $D = 0000, 0001, 0002, 0003, \dots, 9998, 9999$
- PLLCLK_IN can be MCLK or BCLK, selected by Page 0, register 102, bits D5-D4 (2)

P, R, J, and D are register programmable. J is the integer portion of K (the numbers to the left of the decimal point), while D is the fractional portion of K (the numbers to the right of the decimal point, assuming four digits of precision).

Examples:

If $K = 8.5$, then $J = 8$, $D = 5000$

If $K = 7.12$, then $J = 7$, $D = 1200$

If $K = 14.03$, then $J = 14$, $D = 0300$

If $K = 6.0004$, then $J = 6$, $D = 0004$

When the PLL is enabled and $D = 0000$, the following conditions must be satisfied to meet specified performance:

$$512 \text{ kHz} \leq (\text{PLLCLK_IN} / P) \leq 20 \text{ MHz}$$

$$80 \text{ MHz} \leq (\text{PLLCLK_IN} \times K \times R / P) \leq 110 \text{ MHz}$$

$$4 \leq J \leq 55$$

When the PLL is enabled and $D \neq 0000$, the following conditions must be satisfied to meet specified performance:

$$10 \text{ MHz} \leq \text{PLLCLK_IN} / P \leq 20 \text{ MHz}$$

$$80 \text{ MHz} \leq \text{PLLCLK_IN} \times K \times R / P \leq 110 \text{ MHz}$$

$$4 \leq J \leq 11$$

$$R = 1$$

Example:

MCLK = 12 MHz and $F_{\text{sref}} = 44.1 \text{ kHz}$

Select $P = 1$, $R = 1$, $K = 7.5264$, which results in $J = 7$, $D = 5264$

Example:

MCLK = 12 MHz and $F_{\text{sref}} = 48.0 \text{ kHz}$

Select $P = 1$, $R = 1$, $K = 8.192$, which results in $J = 8$, $D = 1920$

Table 1 lists several example cases of typical MCLK rates and how to program the PLL to achieve $F_{\text{sref}} = 44.1 \text{ kHz}$ or 48 kHz .

Table 1. Audio Clock Generation

Fsref = 44.1 kHz						
MCLK (MHz)	P	R	J	D	ACHIEVED FSREF	% ERROR
2.8224	1	1	32	0	44100.00	0.0000
5.6448	1	1	16	0	44100.00	0.0000
12.0	1	1	7	5264	44100.00	0.0000
13.0	1	1	6	9474	44099.71	-0.0007
16.0	1	1	5	6448	44100.00	0.0000
19.2	1	1	4	7040	44100.00	0.0000
19.68	1	1	4	5893	44100.30	0.0007
48.0	4	1	7	5264	44100.00	0.0000
Fsref = 48 kHz						
MCLK (MHz)	P	R	J	D	ACHIEVED FSREF	% ERROR
2.048	1	1	48	0	48000.00	0.0000

Feature Description (continued)
Table 1. Audio Clock Generation (continued)

Fsref = 44.1 kHz						
3.072	1	1	32	0	48000.00	0.0000
4.096	1	1	24	0	48000.00	0.0000
6.144	1	1	16	0	48000.00	0.0000
8.192	1	1	12	0	48000.00	0.0000
12.0	1	1	8	1920	48000.00	0.0000
13.0	1	1	7	5618	47999.71	-0.0006
16.0	1	1	6	1440	48000.00	0.0000
19.2	1	1	5	1200	48000.00	0.0000
19.68	1	1	4	9951	47999.79	-0.0004
48.0	4	1	8	1920	48000.00	0.0000

The TLV320AIC3107 can also output a separate clock on the GPIO1 pin. If the PLL is being used for the audio data converter clock, the M and N settings can be used to provide a divided version of the PLL output. If the PLL is not being used for the audio data converter clock, the PLL can still be enabled to provide a completely independent clock output on GPIO1. The formula for the GPIO1 clock output when PLL is enabled and CLKMUX_OUT is 0 is:

$$\text{GPIO1} = (\text{PLLCLK_IN} \times 2 \times \text{K} \times \text{R}) / (\text{M} \times \text{N} \times \text{P}) \quad (3)$$

When CLKMUX_OUT is 1, regardless of whether PLL is enabled or disabled, the input to the clock output divider can be selected as MCLK or BCLK. In this case, the formula for the GPIO1 clock is:

$$\text{GPIO1} = (\text{CLKDIV_IN} \times 2) / (\text{M} \times \text{N})$$

where

- M = 1, 2, 4, 8
 - N = 2, 3, ..., 17
 - CLKDIV_IN can be BCLK or MCLK, selected by page 0, register 102, bits D7-D6
- (4)

10.3.3.2 Stereo Audio ADC

The TLV320AIC3107 includes a stereo audio ADC, which uses a delta-sigma modulator with 128-times oversampling in single-rate mode, followed by a digital decimation filter. The ADC supports sampling rates from 8 kHz to 48 kHz in single-rate mode, and up to 96 kHz in dual-rate mode. Whenever the ADC or DAC is in operation, the device requires an audio master clock be provided and appropriate audio clock generation be setup within the part.

In order to provide optimal system power dissipation, the stereo ADC can be powered one channel at a time, to support the case where only mono record capability is required. In addition, both channels can be fully powered or entirely powered down.

The integrated digital decimation filter removes high-frequency content and downsamples the audio data from an initial sampling rate of 128 Fs to the final output sampling rate of Fs. The decimation filter provides a linear phase output response with a group delay of 17/Fs. The -3 dB bandwidth of the decimation filter extends to 0.45 Fs and scales with the sample rate (Fs). The filter has minimum 75dB attenuation over the stopband from 0.55 Fs to 64 Fs. Independent digital highpass filters are also included with each ADC channel, with a corner frequency that can be independently set to three different settings or can be disabled entirely.

Because of the oversampling nature of the audio ADC and the integrated digital decimation filtering, requirements for analog anti-aliasing filtering are relaxed. The TLV320AIC3107 integrates a second order analog anti-aliasing filter with 20 dB attenuation at 1 MHz. This filter, combined with the digital decimation filter, provides sufficient anti-aliasing filtering without requiring additional external components.

The ADC is preceded by a programmable gain amplifier (PGA), which allows analog gain control from 0 dB to 59.5 dB in steps of 0.5 dB. The PGA gain changes are implemented with an internal soft-stepping algorithm that only changes the actual volume level by one 0.5 dB step every one or two ADC output samples, depending on the register programming (see registers Page-0/Reg-19 and 22). This soft-stepping ensures that volume control changes occur smoothly with no audible artifacts. On reset, the PGA gain defaults to a mute condition, and upon

power down, the PGA soft-steps the volume to mute before shutting down. A read-only flag is set whenever the gain applied by PGA equals the desired value set by the register. The soft-stepping control can also be disabled by programming a register bit. When soft stepping is enabled, the audio master clock must be applied to the part after the ADC power down register is written to ensure the soft-stepping to mute has completed. When the ADC powerdown flag is no longer set, the audio master clock can be shut down.

10.3.3.2.1 Stereo Audio ADC High Pass Filter

Often in audio applications it is desirable to remove the DC offset from the converted audio data stream. The TLV320AIC3107 has a programmable first order high pass filter which can be used for this purpose. The Digital filter coefficients are in 16-bit format and therefore use two 8-bit registers for each of the three coefficients of N0, N1, and D1. The transfer function of the digital high pass filter is of the form:

$$H(z) = \frac{N0 + N1 \times z^{-1}}{32768 - D1 \times z^{-1}} \quad (5)$$

Programming the Left channel is done by writing to Page 1, Registers 65-70, and the right channel is programmed by writing to Page 1, Registers 71-76. After the coefficients have been loaded, these ADC high pass filter coefficients can be selected by writing to Page 0, Register 107, D7-D6, and the high pass filter can be enabled by writing to Page 0, Register 12, bits D7-D4.

10.3.3.2.2 Automatic Gain Control (AGC)

An automatic gain control (AGC) circuit is included with the ADC and can be used to maintain nominally constant output signal amplitude when recording speech signals (it can be fully disabled if not desired). This circuitry automatically adjusts the PGA gain as the input signal becomes loud or weak, such as when a person speaking into a microphone moves closer or farther from the microphone. The AGC algorithm has several programmable settings, including target gain, attack and decay time constants, noise threshold, and maximum PGA gain applicable that allow the algorithm to be fine tuned for any particular application. The algorithm uses the absolute average of the signal (which is the average of the absolute value of the signal) as a measure of the nominal amplitude of the output signal.

Note that completely independent AGC circuitry is included with each ADC channel with entirely independent control over the algorithm from one channel to the next. This is attractive in cases where two microphones are used in a system, but may have different placement in the end equipment and require different dynamic performance for optimal system operation.

10.3.3.2.2.1 Target Level

Target Level represents the nominal output level at which the AGC attempts to hold the ADC output signal level. The TLV320AIC3107 allows programming of eight different target levels, which can be programmed from –5.5 dB to –24 dB relative to a full-scale signal. Since the device reacts to the signal absolute average and not to peak levels, it is recommended that the target level be set with enough margin to avoid clipping at the occurrence of loud sounds.

10.3.3.2.2.2 Attack Time

Attack Time determines how quickly the AGC circuitry reduces the PGA gain when the input signal is too loud. It can be varied from 7 ms to 1,408 ms. The extended Right Channel Attack time can be programmed by writing to Page 0, Registers 103, and Left Channel is programmed by writing to Page 0, Register 105.

10.3.3.2.2.3 Decay Time

Decay Time determines how quickly the PGA gain is increased when the input signal is too low. It can be varied in the range from 0.05 s to 22.4 s. The extended Right Channel Decay time can be programmed by writing to Page 0, Registers 104, and Left Channel is programmed by writing to Page 0, Register 106.

The actual AGC decay time maximum is based on a counter length, so the maximum decay time will scale with the clock set up that is used. The table below shows the relationship of the NADC ratio to the maximum time available for the AGC decay. In practice, these maximum times are extremely long for audio applications and should not limit any practical AGC decay time that is needed by the system.

Table 2. AGC Decay Time Restriction

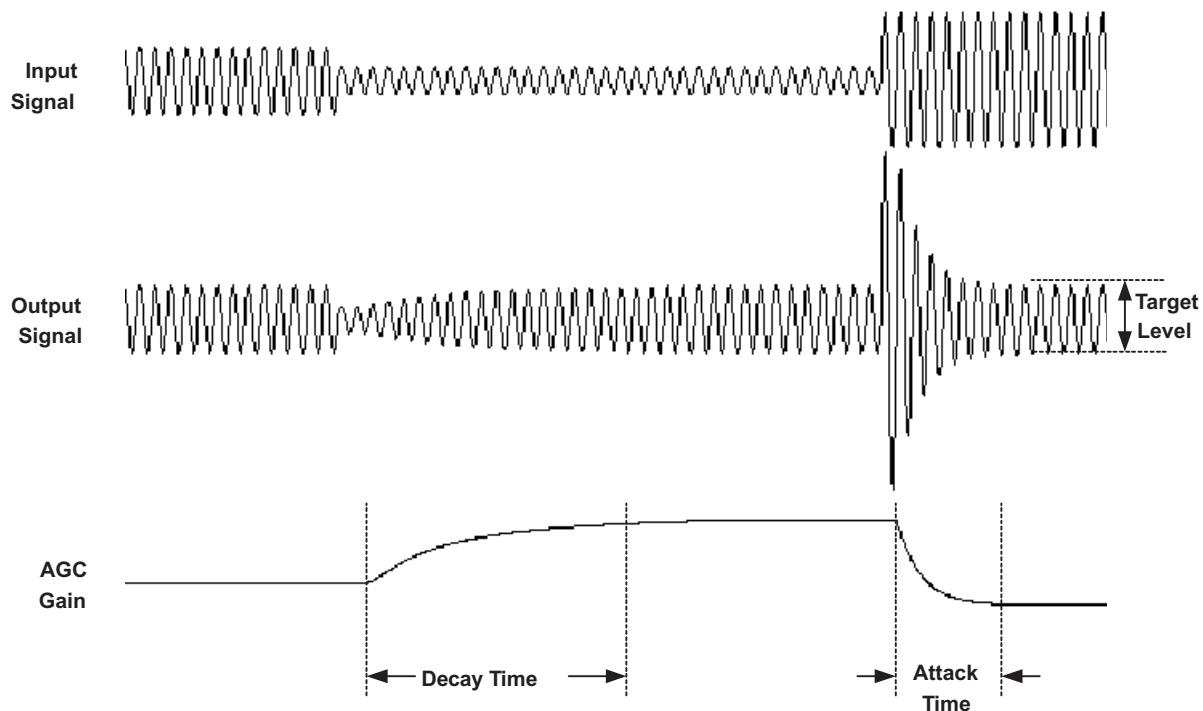
NADC RATIO	MAXIMUM DECAY TIME (seconds)
1.0	4.0
1.5	5.6
2.0	8.0
2.5	9.6
3.0	11.2
3.5	11.2
4.0	16.0
4.5	16.0
5.0	19.2
5.5	22.4
6.0	22.4

10.3.3.2.2.4 Noise Gate Threshold

Noise Gate Threshold determines the level below which if the input speech average value falls, AGC considers it as a silence and hence brings down the gain to 0 dB in steps of 0.5 dB every FS and sets the noise threshold flag. The gain stays at 0 dB unless the input speech signal average rises above the noise threshold setting. This ensures that noise does not get gained up in the absence of speech. Noise threshold level in the AGC algorithm is programmable from –30 dB to –90 dB relative to full scale. A disable noise gate feature is also available. This operation includes programmable debounce and hysteresis functionality to avoid the AGC gain from cycling between high gain and 0 dB when signals are near the noise threshold level. When the noise threshold flag is set, the status of gain applied by the AGC and the saturation flag should be ignored.

10.3.3.2.2.5 Maximum PGA Gain Applicable

Maximum PGA Gain Applicable allows the user to restrict the maximum PGA gain that can be applied by the AGC algorithm. This can be used for limiting PGA gain in situations where environmental noise is greater than programmed noise threshold. It can be programmed from 0 dB to +59.5 dB in steps of 0.5 dB.


Figure 20. Typical Operation of the AGC Algorithm During Speech Recording

Note that the time constants here are correct when the ADC is not in double-rate audio mode. The time constants are achieved using the F_{sref} value programmed in the control registers. However, if the F_{sref} is set in the registers to, for example, 48 kHz, but the actual audio clock or PLL programming actually results in a different F_{sref} in practice, then the time constants would not be correct.

The actual AGC decay time maximum is based on a counter length, so the maximum decay time scales with the clock set up that is used. [Table 2](#) shows the relationship of the NADC ratio to the maximum time available for the AGC decay. In practice, these maximum times are extremely long for audio applications and should not limit any practical AGC decay time that is needed by the system.

10.3.3.3 Stereo Audio DAC

The TLV320AIC3107 includes a stereo audio DAC supporting sampling rates from 8 kHz to 96 kHz. Each channel of the stereo audio DAC consists of a digital audio processing block, a digital interpolation filter, multi-bit digital delta-sigma modulator, and an analog reconstruction filter. The DAC is designed to provide enhanced performance at low sampling rates through increased oversampling and image filtering, thereby keeping quantization noise generated within the delta-sigma modulator and signal images strongly suppressed within the audio band to beyond 20 kHz. This is realized by keeping the upsampled rate constant at $128 \times F_{sref}$ and changing the oversampling ratio as the input sample rate is changed. For an F_{sref} of 48 kHz, the digital delta-sigma modulator always operates at a rate of 6.144 MHz. This ensures that quantization noise generated within the delta-sigma modulator stays low within the frequency band below 20 kHz at all sample rates. Similarly, for an F_{sref} rate of 44.1 kHz, the digital delta-sigma modulator always operates at a rate of 5.6448 MHz.

The following restrictions apply in the case when the PLL is powered down and double-rate audio mode is enabled in the DAC.

Allowed Q values = 4, 8, 9, 12, 16

Q values where equivalent F_{sref} can be achieved by turning on PLL

Q = 5, 6, 7 (set P = 5 / 6 / 7 and K = 16 and PLL enabled)

Q = 10, 14 (set P = 5, 7 and K = 8 and PLL enabled)

10.3.3.3.1 Digital Audio Processing for Playback

The DAC channel consists of optional filters for de-emphasis and bass, treble, midrange level adjustment, speaker equalization, and 3-D effects processing. The de-emphasis function is implemented by a programmable digital filter block with fully programmable coefficients (see Page-1/Reg-21-26 for left channel, Page-1/Reg-47-52 for right channel). If de-emphasis is not required in a particular application, this programmable filter block can be used for some other purpose. The de-emphasis filter transfer function is given by:

$$H(z) = \frac{N0 + N1 \times z^{-1}}{32768 - D1 \times z^{-1}} \quad (6)$$

where the $N0$, $N1$, and $D1$ coefficients are fully programmable individually for each channel. The coefficients that should be loaded to implement standard de-emphasis filters are given in [Table 3](#).

Table 3. De-Emphasis Coefficients for Common Audio Sampling Rates

SAMPLING FREQUENCY	N0	N1	D1
32-kHz	16950	-1220	17037
44.1-kHz	15091	-2877	20555
48-kHz ⁽¹⁾	14677	-3283	21374

(1) The 48-kHz coefficients listed in [Table 3](#) are used as defaults.

In addition to the de-emphasis filter block, the DAC digital effects processing includes a fourth order digital IIR filter with programmable coefficients (one set per channel). This filter is implemented as cascade of two biquad sections with frequency response given by:

$$\left(\frac{N0 + 2 \times N1 \times z^{-1} + N2 \times z^{-2}}{32768 - 2 \times D1 \times z^{-1} - D2 \times z^{-2}} \right) \left(\frac{N3 + 2 \times N4 \times z^{-1} + N5 \times z^{-2}}{32768 - 2 \times D4 \times z^{-1} - D5 \times z^{-2}} \right) \quad (7)$$

The N and D coefficients are fully programmable, and the entire filter can be enabled or bypassed. The structure of the filtering when configured for independent channel processing is shown below in [Figure 21](#), with LB1 corresponding to the first left-channel biquad filter using coefficients N0, N1, N2, D1, and D2. LB2 similarly corresponds to the second left-channel biquad filter using coefficients N3, N4, N5, D4, and D5. The RB1 and RB2 filters refer to the first and second right-channel biquad filters, respectively.

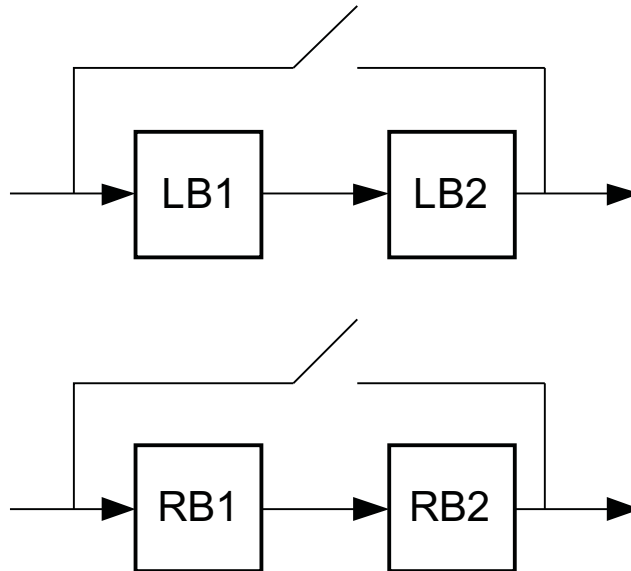


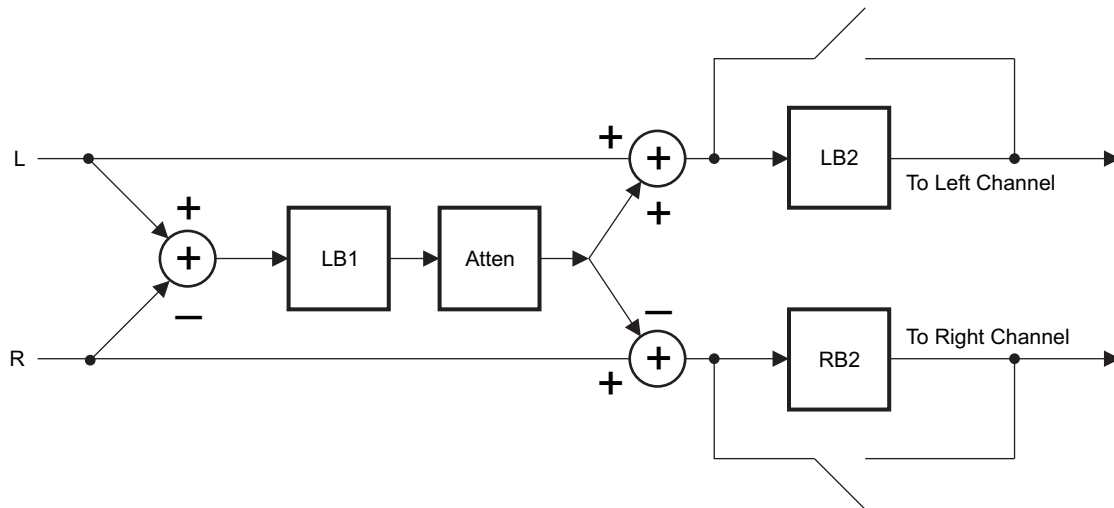
Figure 21. Structure of the Digital Effects Processing for Independent Channel Processing

The coefficients for this filter implement a variety of sound effects, with bass-boost or treble boost being the most commonly used in portable audio applications. The default N and D coefficients in the part are given in [Table 4](#) and implement a shelving filter with 0 dB gain from DC to approximately 150 Hz, at which point it rolls off to a 3 dB attenuation for higher frequency signals, thus giving a 3 dB boost to signals below 150 Hz. The N and D coefficients are represented by 16-bit two's complement numbers with values ranging from -32768 to 32767 .

Table 4. Default Digital Effects Processing Filter Coefficients, When in Independent Channel Processing Configuration

Coefficients				
N0 = N3	D1 = D4	N1 = N4	D2 = D5	N2 = N5
27619	32131	-27034	-31506	26461

The digital processing also includes capability to implement 3-D processing algorithms by providing means to process the mono mix of the stereo input, and then combine this with the individual channel signals for stereo output playback. The architecture of this processing mode, and the programmable filters available for use in the system, is shown in [Figure 22](#). Note that the programmable attenuation block provides a method of adjusting the level of 3-D effect introduced into the final stereo output. This combined with the fully programmable biquad filters in the system enables the user to fully optimize the audio effects for a particular system and provide extensive differentiation from other systems using the same device.



B0155-01

Figure 22. Architecture of the Digital Audio Processing When 3-D Effects are Enabled

It is recommended that the digital effects filters should be disabled while the filter coefficients are being modified. While new coefficients are being written to the device over the control port, it is possible that a filter using partially updated coefficients may actually implement an unstable system and lead to oscillation or objectionable audio output. By disabling the filters, changing the coefficients, and then re-enabling the filters, these types of effects can be entirely avoided.

10.3.3.3.2 Digital Interpolation Filter

The digital interpolation filter upsamples the output of the digital audio processing block by the required oversampling ratio before data is provided to the digital delta-sigma modulator and analog reconstruction filter stages. The filter provides a linear phase output with a group delay of $21/F_s$. In addition, programmable digital interpolation filtering is included to provide enhanced image filtering and reduce signal images caused by the upsampling process that are below 20 kHz. For example, upsampling an 8-kHz signal produces signal images at multiples of 8-kHz (i.e., 8 kHz, 16 kHz, 24 kHz, etc.). The images at 8 kHz and 16 kHz are below 20 kHz and still audible to the listener; therefore, they must be filtered heavily to maintain a good quality output. The interpolation filter is designed to maintain at least 65 dB rejection of images that land below $7.455 F_s$. In order to utilize the programmable interpolation capability, the F_{sref} should be programmed to a higher rate (restricted to be in the range of 39 kHz to 53 kHz when the PLL is in use), and the actual F_s is set using the NDAC divider. For example, if $F_s = 8$ kHz is required, then F_{sref} can be set to 48 kHz, and the DAC F_s set to $F_{sref}/6$. This ensures that all images of the 8-kHz data are sufficiently attenuated well beyond a 20-kHz audible frequency range.

10.3.3.3.3 Delta-Sigma Audio DAC

The stereo audio DAC incorporates a third order multi-bit delta-sigma modulator followed by an analog reconstruction filter. The DAC provides high-resolution, low-noise performance, using oversampling and noise shaping techniques. The analog reconstruction filter design consists of a 6-tap analog FIR filter followed by a continuous time RC filter. The analog FIR operates at a rate of $128 \times F_{sref}$ (6.144 MHz when $F_{sref} = 48$ kHz, 5.6448 MHz when $F_{sref} = 44.1$ kHz). Note that the DAC analog performance may be degraded by excessive clock jitter on the MCLK input. Therefore, care must be taken to keep jitter on this clock to a minimum.

10.3.3.3.4 Audio DAC Digital Volume Control

The audio DAC includes a digital volume control block which implements a programmable digital gain. The volume level can be varied from 0 dB to -63.5 dB in 0.5 dB steps, in addition to a mute bit, independently for each channel. The volume level of both channels can also be changed simultaneously by the master volume control. Gain changes are implemented with a soft-stepping algorithm, which only changes the actual volume by one step per input sample, either up or down, until the desired volume is reached. The rate of soft-stepping can be slowed to one step per two input samples through a register bit.

Because of soft-stepping, the host does not know when the DAC has been actually muted. This may be important if the host wishes to mute the DAC before making a significant change, such as changing sample rates. In order to help with this situation, the device provides a flag back to the host via a read-only register bit that alerts the host when the part has completed the soft-stepping and the actual volume has reached the desired volume level. The soft-stepping feature can be disabled through register programming. If soft-stepping is enabled, the MCLK signal should be kept applied to the device until the DAC power-down flag is set. When this flag is set, the internal soft-stepping process and power down sequence is complete, and the MCLK can then be stopped if desired.

The TLV320AIC3107 also includes functionality to detect when the user switches on or off the de-emphasis or digital audio processing functions, to first (1) soft-mute the DAC volume control, (2) change the operation of the digital effects processing, and (3) soft-unmute the part. This avoids any possible pop/clicks in the audio output due to instantaneous changes in the filtering. A similar algorithm is used when first powering up or down the DAC. The circuit begins operation at power up with the volume control muted, then soft-steps it up to the desired volume level. At power down, the logic first soft-steps the volume down to a mute level, then powers down the circuitry.

10.3.3.3.5 Increasing DAC Dynamic Range

The TLV320AIC3107 allows trading off dynamic range with power consumption. The DAC dynamic range can be increased by writing to Page 0, Register 109 bits D7-D6. The lowest DAC current setting is the default, and the dynamic range is displayed in the datasheet table. Increasing the current can increase the DAC dynamic range by up to 1.5dB.

10.3.3.3.6 Analog Output Common-Mode Adjustment

The output common-mode voltage and output range of the analog output are determined by an internal bandgap reference, in contrast to other codecs that may use a divided version of the supply. This scheme is used to reduce the coupling of noise that may be on the supply (such as 217-Hz noise in a GSM cellphone) into the audio signal path.

However, due to the possible wide variation in analog supply range (2.7 V – 3.6 V), an output common-mode voltage setting of 1.35 V, which would be used for a 2.7 V supply case, will be overly conservative if the supply is actually much larger, such as 3.3 V or 3.6 V. In order to optimize device operation, the TLV320AIC3107 includes a programmable output common-mode level, which can be set by register programming to a level most appropriate to the actual supply range used by a particular customer. The output common-mode level can be varied among four different values, ranging from 1.35 V (most appropriate for low supply ranges, near 2.7 V) to 1.8 V (most appropriate for high supply ranges, near 3.6 V). Note that there is also some limitation on the range of DVDD voltage as well in determining which setting is most appropriate.

Table 5. Appropriate Settings

CM SETTING	RECOMMENDED AVDD_DAC, DRVDD	RECOMMENDED DVDD
1.35	2.7 V – 3.6 V	1.525 V – 1.95 V
1.50	3.0 V – 3.6 V	1.65 V – 1.95 V
1.65 V	3.3 V – 3.6 V	1.8 V – 1.95 V
1.8 V	3.6 V	1.95 V

10.3.3.3.7 Audio DAC Power Control

The stereo DAC can be fully powered up or down, and in addition, the analog circuitry in each DAC channel can be powered up or down independently. This provides power savings when only a mono playback stream is needed.

10.3.4 Audio Analog Inputs

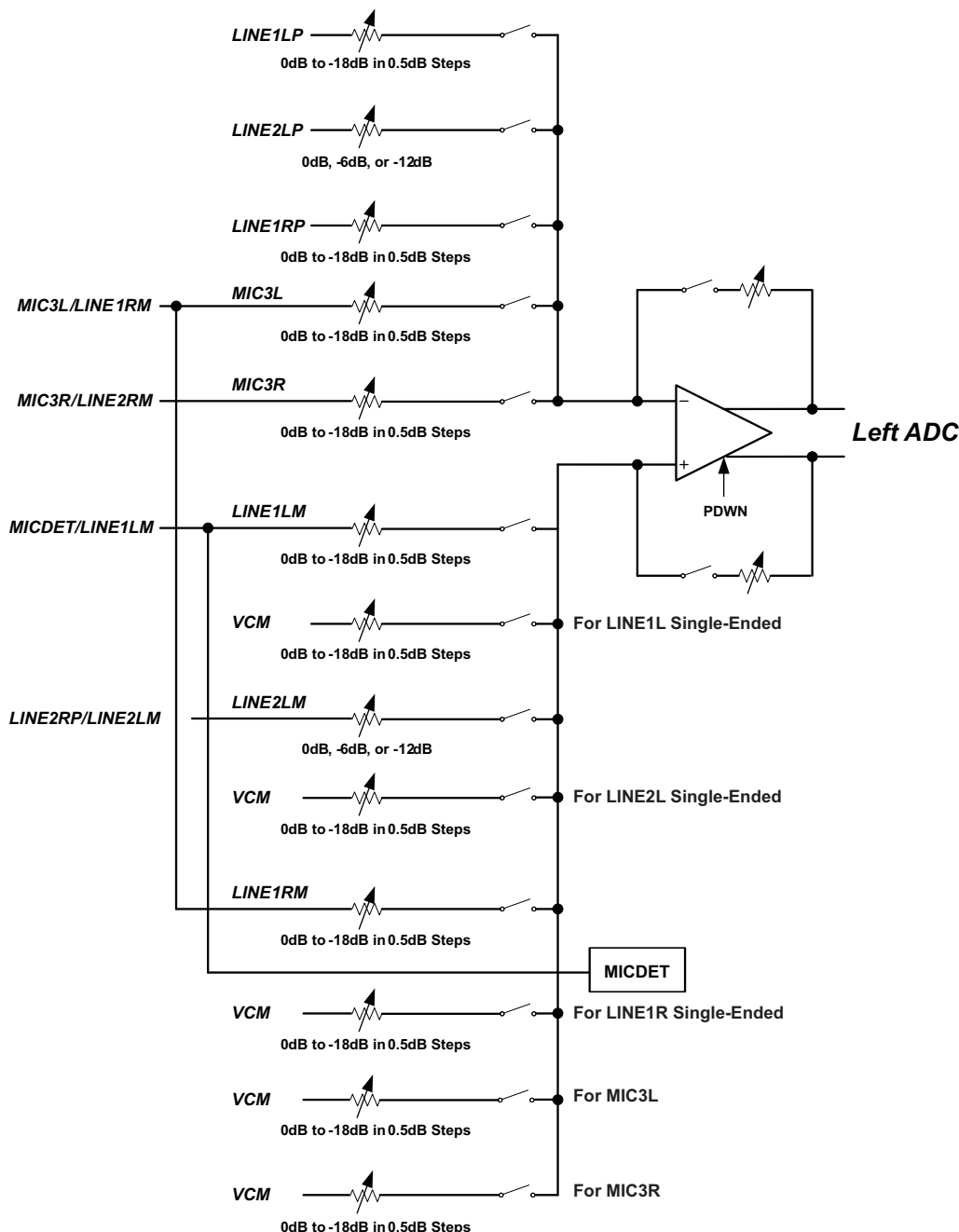
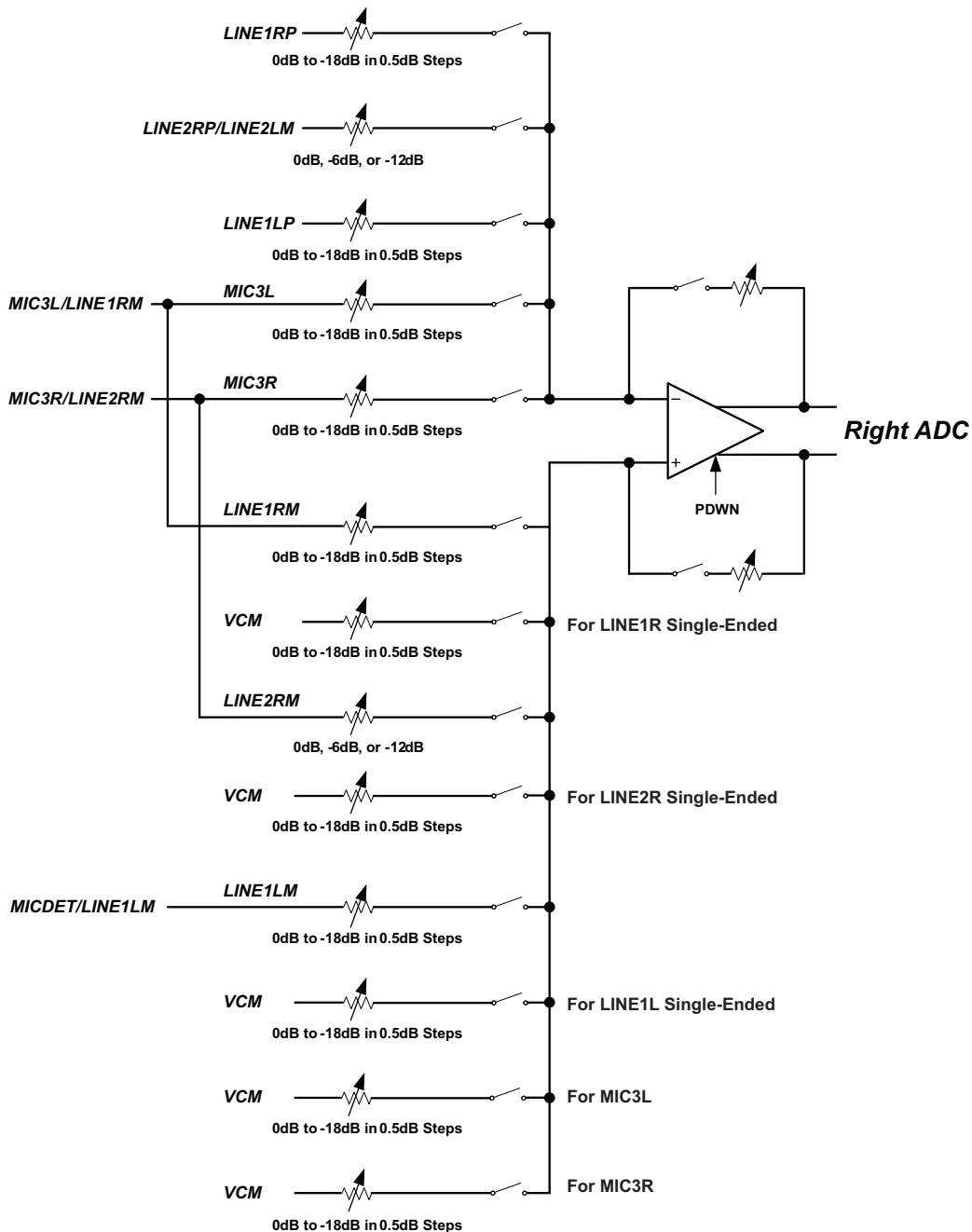


Figure 23. Left Signal Path


Figure 24. Right Signal Path

10.3.5 Analog Line Output Drivers

The TLV320AIC3107 has two single-ended line output drivers, each capable of driving a 10-kΩ load. The output stage design leading to the fully differential line output drivers is shown in [Figure 25](#) and [Figure 26](#). This design includes extensive capability to adjust signal levels independently before any mixing occurs, beyond that already provided by the PGA gain and the DAC digital volume control.

The LINE2L/R signals refer to the signals that travel through the analog input bypass path to the output stage. The PGA_L/R signals refer to the outputs of the ADC PGA stages that are similarly passed around the ADC to the output stage. Note that since both left and right channel signals are routed to all output drivers, a mono mix of any of the stereo signals can easily be obtained by setting the volume controls of both left and right channel signals to -6 dB and mixing them. Undesired signals can also be disconnected from the mix as well through register control.

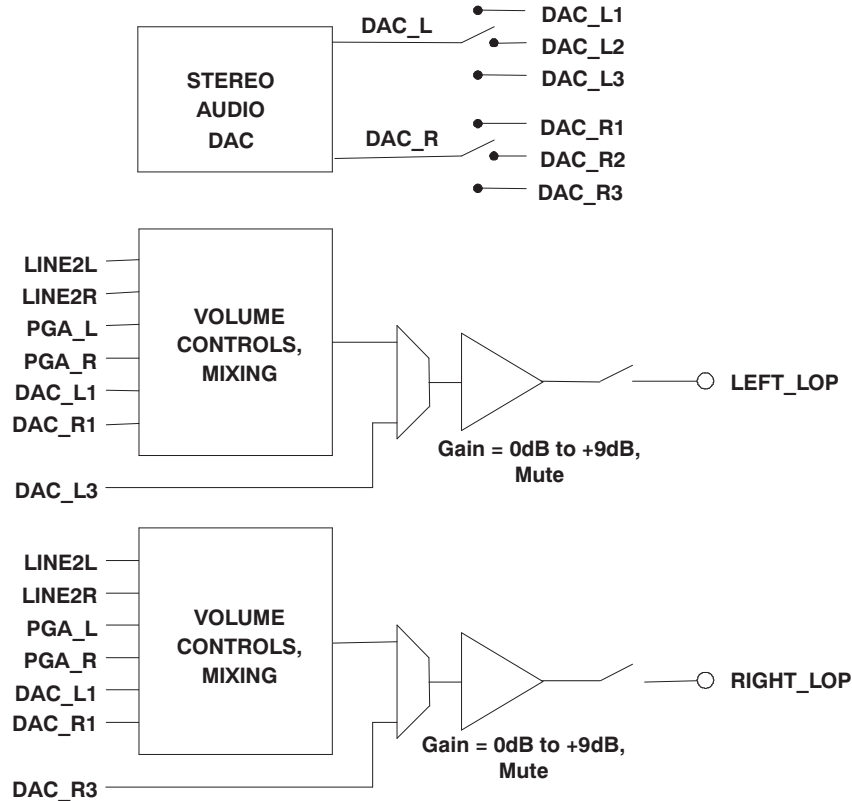


Figure 25. Architecture of the Output Stage Leading to the Line Output Drivers

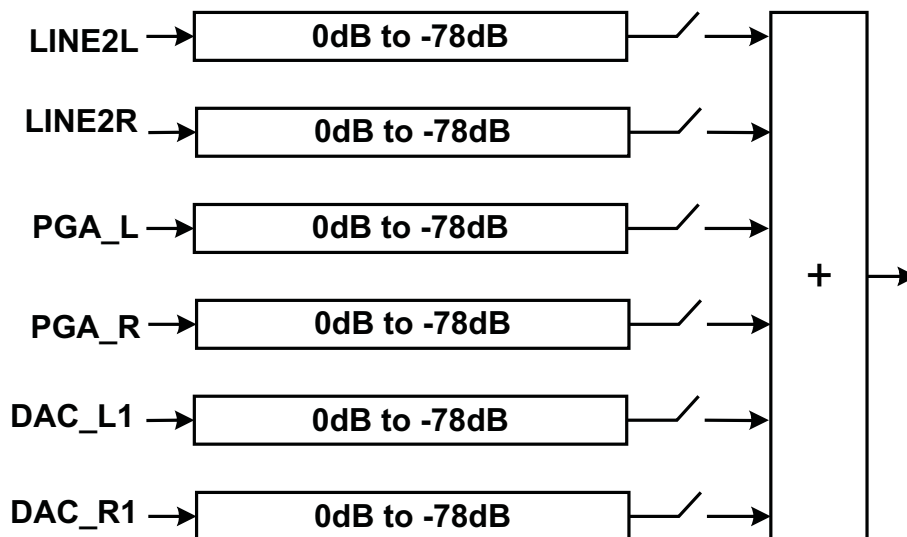


Figure 26. Detail of the Volume Control and Mixing Function Shown in [Figure 21](#) and [Figure 35](#)

The DAC_L/R signals are the outputs of the stereo audio DAC, which can be steered by register control based on the requirements of the system. If mixing of the DAC audio with other signals is not required, and the DAC output is only needed at the stereo line outputs, then it is recommended to use the routing through path DAC_L3/R3 to the stereo line outputs. This results not only in higher quality output performance, but also in lower power operation, since the analog volume controls and mixing blocks ahead of these drivers can be powered down.

If instead the DAC analog output must be routed to multiple output drivers simultaneously (such as to LEFT_LOP and RIGHT_LOP) or must be mixed with other analog signals, then the DAC outputs should be switched through the DAC_L1/R1 path. This option provides the maximum flexibility for routing of the DAC analog signals to the output drivers

The TLV320AIC3107 includes an output level control on each output driver with limited gain adjustment from 0 dB to 9 dB. The output driver circuitry in this device are designed to provide a low distortion output while playing fullscale stereo DAC signals at a 0dB gain setting. However, a higher amplitude output can be obtained at the cost of increased signal distortion at the output. This output level control allows the user to make this tradeoff based on the requirements of the end equipment. Note that this output level control is not intended to be used as a standard output volume control. It is expected to be used only sparingly for level setting, i.e., adjustment of the fullscale output range of the device.

Each line output driver can be powered down independently of the others when it is not needed in the system. When placed into powerdown through register programming, the driver output pins will be placed into a 3-stated, high-impedance state.

10.3.6 Analog High Power Output Drivers

The TLV320AIC3107 includes three high power output drivers with extensive flexibility in their usage. These output drivers are individually capable of driving 30 mW each into a 16- Ω load in single-ended configuration, and two can be connected in bridge-terminated load (BTL) configuration between two driver outputs.

The high power output drivers can be configured in a variety of ways, including:

1. driving one fully differential output signals
2. driving up to three single-ended output signals
3. driving two single-ended output signals, with the remaining driver driving a fixed VCM level, for a pseudo-differential stereo output

The output stage architecture leading to the high power output drivers is shown in [Figure 27](#), with the volume control and mixing blocks being effectively identical to that shown in [Figure 26](#). Note that each of these drivers have a output level control block like those included with the line output drivers, allowing gain adjustment up to +9dB on the output signal. As in the previous case, this output level adjustment is not intended to be used as a standard volume control, but instead is included for additional fullscale output signal level control.

Two of the output drivers, HPROUT and HPLOUT, include a direct connection path for the stereo DAC outputs to be passed directly to the output drivers and bypass the analog volume controls and mixing networks, using the DAC_L2/R2 path. As in the line output case, this functionality provides the highest quality DAC playback performance with reduced power dissipation, but can only be utilized if the DAC output does not need to route to multiple output drivers simultaneously, and if mixing of the DAC output with other analog signals is not needed.

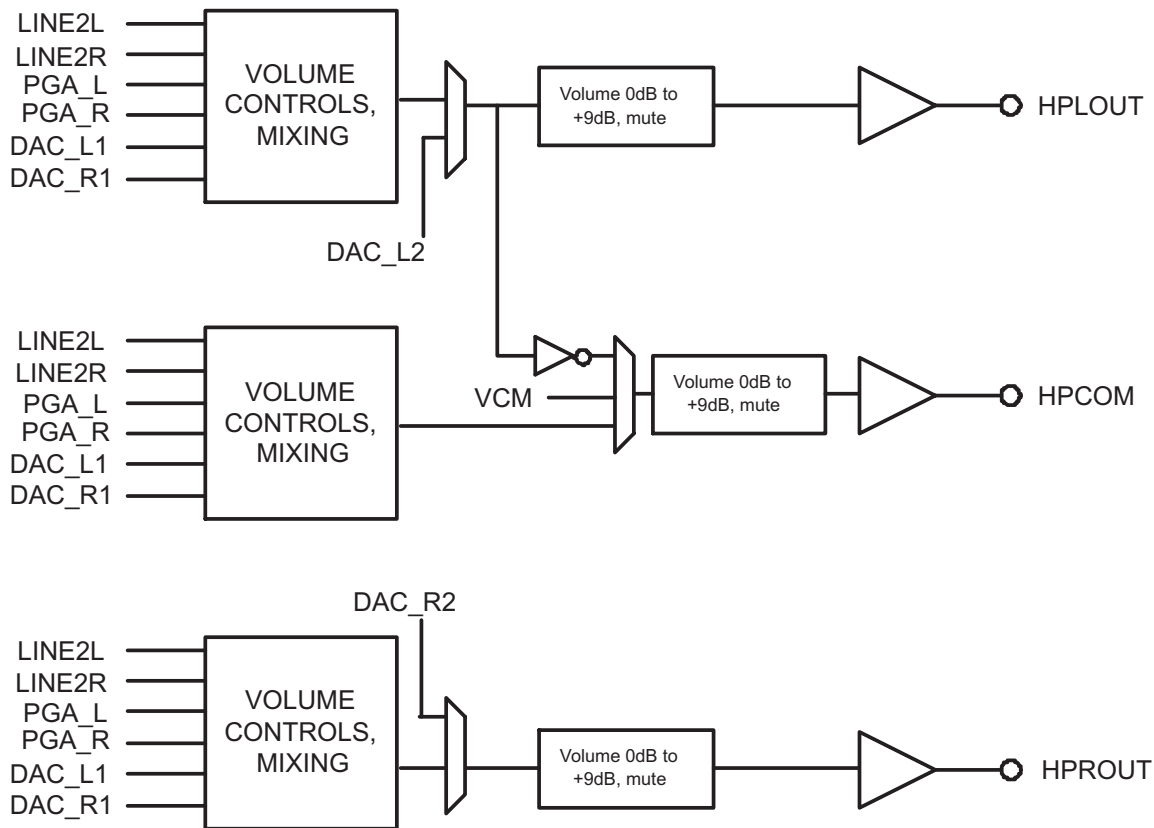


Figure 27. Architecture of the Output Stage Leading to the High Power Output Drivers

The high power output drivers include additional circuitry to avoid artifacts on the audio output during power-on and power-off transient conditions. The user should first program the type of output configuration being used in Page-0/Reg-14, to allow the device to select the optimal power-up scheme to avoid output artifacts. The power-up delay time for the high power output drivers is also programmable over a wide range of time delays, from instantaneous up to 4-sec, using Page-0/Reg-42.

When these output drivers are powered down, they can be placed into a variety of output conditions based on register programming. If lowest power operation is desired, then the outputs can be placed into a 3-state condition, and all power to the output stage is removed. However, this generally results in the output nodes drifting to rest near the upper or lower analog supply, due to small leakage currents at the pins. This then results in a longer delay requirement to avoid output artifacts during driver power-on. In order to reduce this required power-on delay, the TLV320AIC3107 includes an option for the output pins of the drivers to be weakly driven to the VCM level they would normally rest at when powered with no signal applied. This output VCM level is determined by an internal bandgap voltage reference, and thus results in extra power dissipation when the drivers are in powerdown. However, this option provides the fastest method for transitioning the drivers from powerdown to full power operation without any output artifact introduced.

The device includes a further option that falls between the other two – while it requires less power drawn while the output drivers are in powerdown, it also takes a slightly longer delay to power-up without artifact than if the bandgap reference is kept alive. In this alternate mode, the powered-down output driver pin is weakly driven to a voltage of approximately half the DRVDD1/2 supply level using an internal voltage divider. This voltage will not match the actual VCM of a fully powered driver, but due to the output voltage being close to its final value, a much shorter power-up delay time setting can be used and still avoid any audible output artifacts. These output voltage options are controlled in Page-0/Reg-42.

The high power output drivers can also be programmed to power up first with the output level control in a highly attenuated state, then the output driver will automatically slowly reduce the output attenuation to reach the desired output level setting programmed. This capability is enabled by default but can be enabled in Page-0/Reg-40.

10.3.7 Input Impedance and VCM Control

The TLV320AIC3107 includes several programmable settings to control analog input pins, particularly when they are not selected for connection to an ADC PGA. The default option allows unselected inputs to be put into a 3-state condition, such that the input impedance seen looking into the device is extremely high. Note, however, that the pins on the device do include protection diode circuits connected to AVDD and AVSS. Thus, if any voltage is driven onto a pin approximately one diode drop (~ 0.6 V) above AVDD or one diode drop below AVSS, these protection diodes will begin conducting current, resulting in an effective impedance that no longer appears as a 3-state condition.

Another programmable option for unselected analog inputs is to weakly hold them at the common-mode input voltage of the ADC PGA (which is determined by an internal bandgap voltage reference). This is useful to keep the ac-coupling capacitors connected to analog inputs biased up at a normal DC level, thus avoiding the need for them to charge up suddenly when the input is changed from being unselected to selected for connection to an ADC PGA. This option is controlled in Page-0/Reg-20 and 23. The user should ensure this option is disabled when an input is selected for connection to an ADC PGA or selected for the analog input bypass path, since it can corrupt the recorded input signal if left operational when an input is selected.

In most cases, the analog input pins on the TLV320AIC3107 should be ac-coupled to analog input sources, the only exception to this generally being if an ADC is being used for DC voltage measurement. The ac-coupling capacitor will cause a highpass filter pole to be inserted into the analog signal path, so the size of the capacitor must be chosen to move that filter pole sufficiently low in frequency to cause minimal effect on the processed analog signal. The input impedance of the analog inputs when selected for connection to an ADC PGA varies with the setting of the input level control, starting at approximately 20 k Ω with an input level control setting of 0 dB, and increasing to approximately 80-k Ω when the input level control is set at -12 dB. For example, using a 0.1 μ F ac-coupling capacitor at an analog input will result in a highpass filter pole of 80 Hz when the 0 dB input level control setting is selected.

10.3.8 General Purpose I/O

TLV320AIC3107 has a dedicated pin for General Purpose IO. This pin can be used to read status of external signals through register read when configured as General Purpose Input. When configured as General Purpose Output, this pin can also drive logic high or low. Besides these standard GPIO functions, this pin can also be used in a variety of ways such as output for internal clocks and interrupt signals. TLV320AIC3107 generates a variety of interrupts of use to the host processor such interrupts on jack detection, button press, short circuit detection and AGC noise detection. All these interrupts can be routed individually to the GPIO pin or can be combined by a logical OR. In the event of a combined interrupt, the user can read an internal status register to find the actual cause of interrupt. When configured as interrupt, TLV320AIC3107 also offers the flexibility of generating a single pulse or a train of pulses till the interrupt status register is read by the user.

10.3.9 MICBIAS Generation

The TLV320AIC3107 includes a programmable microphone bias output voltage (MICBIAS), capable of providing output voltages of 2.0 V or 2.5 V (both derived from the on-chip bandgap voltage) with 4-mA output current drive. In addition, the MICBIAS may be programmed to be switched to AVDD directly through an on-chip switch, or it can be powered down completely when not needed, for power savings. This function is controlled by register programming in Page-0/Reg-25.

10.3.10 Class-D Speaker Driver

Differential Class-D speaker outputs are available on the SPOP and SPOM pins as shown in [Figure 28](#). The integrated Class-D speaker amplifier can drive a one Watt audio signal into a differential 8- Ω load. The plus input to the Class-D amplifier is the same signal available at the left lineout LEFT_LOP pin. The minus input to the Class-D amplifier is an internal signal that is sourced as shown in [Figure 32](#). A register (73) is used to enable the Class-D amp and set its gain control (0 dB to +18 dB). Following the gain control and before the outputs is a fixed +6 dB gain. Note that there are many other gains available in the signal path leading up to the Class-D amp so for best results the user must map the gains correctly.

The following initialization sequence must be written to the AIC3107 registers prior to enabling the class-D amplifier:

- ```
register data:
1. 0x00 0x0D
```

2. 0x0D 0x0D
3. 0x08 0x5C
4. 0x08 0x5D
5. 0x08 0x5C
6. 0x00 0x00

Also available is an analog bypass switch to allow a signal (0.35V to 2.8V) to be input at SWINP and SWINM and output at SWOUTP and SWOUTM. In a typical application, SWOUTP and SWOUTM are connected to SPOP and SPOM respectively so as to provide an alternate method of driving the 8-Ω speaker. These bypass switches have low on-resistance, so an external power amplifier can be used to drive a speaker directly through these switches. When the Bypass Switch is enabled (Register 76, D1=1), enabling the Bypass Switch Bootstrap Clock Enable (Register 76, D0=1) is recommended.

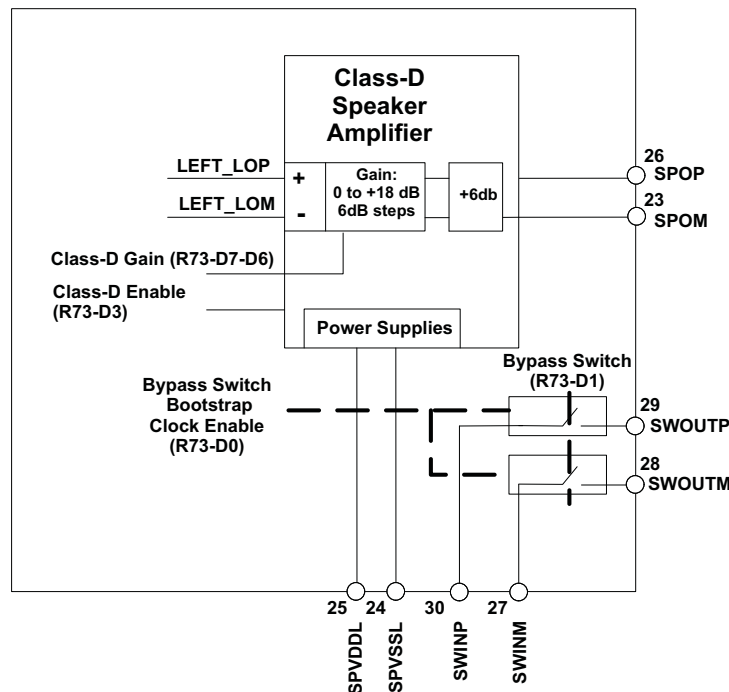


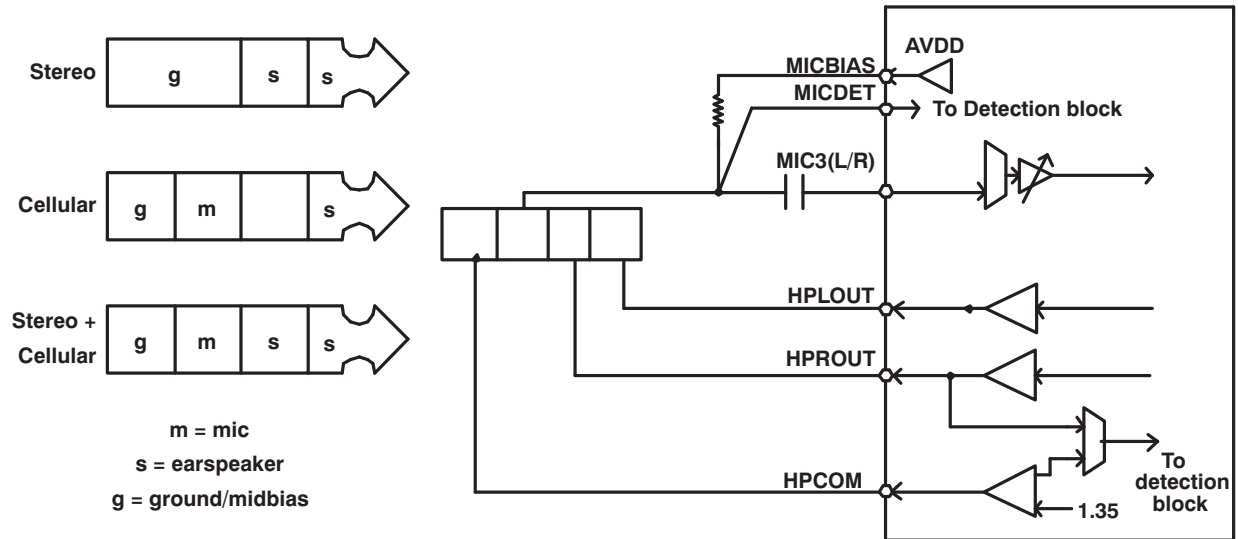
Figure 28. Differential Class-D Speaker Circuit

### 10.3.11 Short Circuit Output Protection

The TLV320AIC3107 includes programmable short-circuit protection for the high power output drivers, for maximum flexibility in a given application. By default, if these output drivers are shorted, they will automatically limit the maximum amount of current that can be sourced to or sunk from a load, thereby protecting the device from an overcurrent condition. In this mode, the user can read Page-0/Reg-95 to determine whether the part is in short-circuit protection or not, and then decide whether to program the device to power down the output drivers. However, the device includes further capability to automatically power down an output driver whenever it does into short-circuit protection, without requiring intervention from the user. In this case, the output driver will stay in a power down condition until the user specifically programs it to power down and then power back up again, to clear the short-circuit flag.

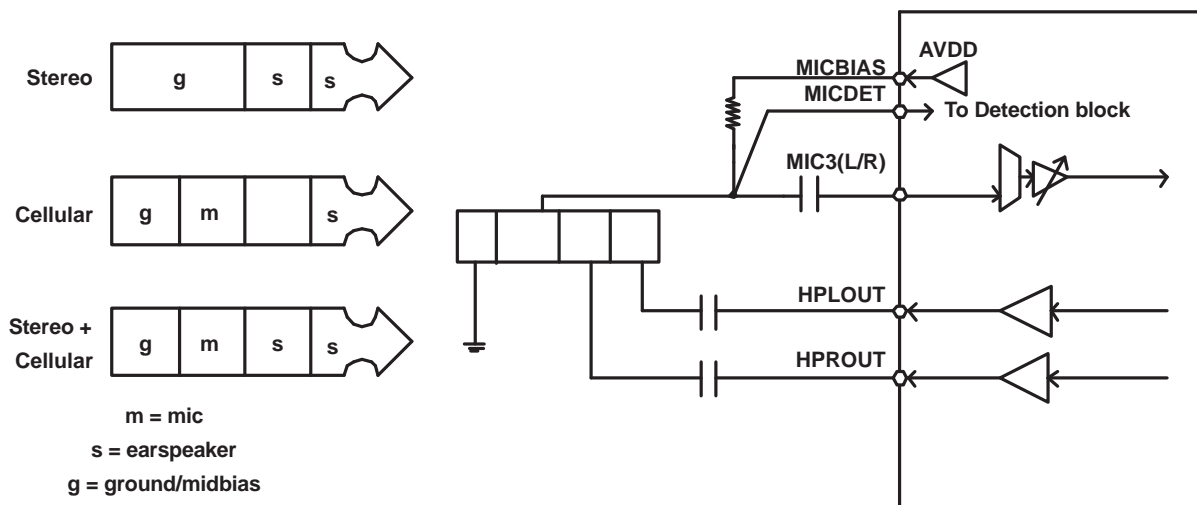
### 10.3.12 Jack and Headset Detection

The TLV320AIC3107 includes extensive capability to monitor a headphone, microphone, or headset jack, determine if a plug has been inserted into the jack, and then determine what type of headset/headphone is wired to the plug. [Figure 29](#) shows one configuration of the device that enables detection and determination of headset type when a pseudo-differential (capless) stereo headphone output configuration is used. The registers used for this function are Page-0/Reg 14, 37, 38, and 13. The type of headset detected can be read back from Page-0/Reg-13. Note that for best results, it is recommended to select a MICBIAS value as high as possible, and to program the output driver common-mode level at a 1.35V or 1.5V level.



**Figure 29. Configuration of Device for Jack Detection Using a Pseudo-Differential (Capless) Headphone Output Connection**

A modified output configuration used when the output drivers are ac-coupled is shown in [Figure 30](#). Note that in this mode, the device cannot accurately determine the type of headset inserted if a mono or stereo headphone.



**Figure 30. Configuration of Device for Jack Detection Using an ac-Coupled Stereo Headphone Output Connection**

An output configuration for the case of the outputs driving fully differential stereo headphones is shown in Figure 31. In this mode there is a requirement on the jack side that either HPCOM or HPLOUT get shorted to ground if the plug is removed, which can be implemented using a spring terminal in a jack. For this mode to function properly, short-circuit detection should be enabled and configured to power-down the drivers if a short-circuit is detected. The registers that control this functionality are in Page-0/Reg-38/Bit-D2-D1.

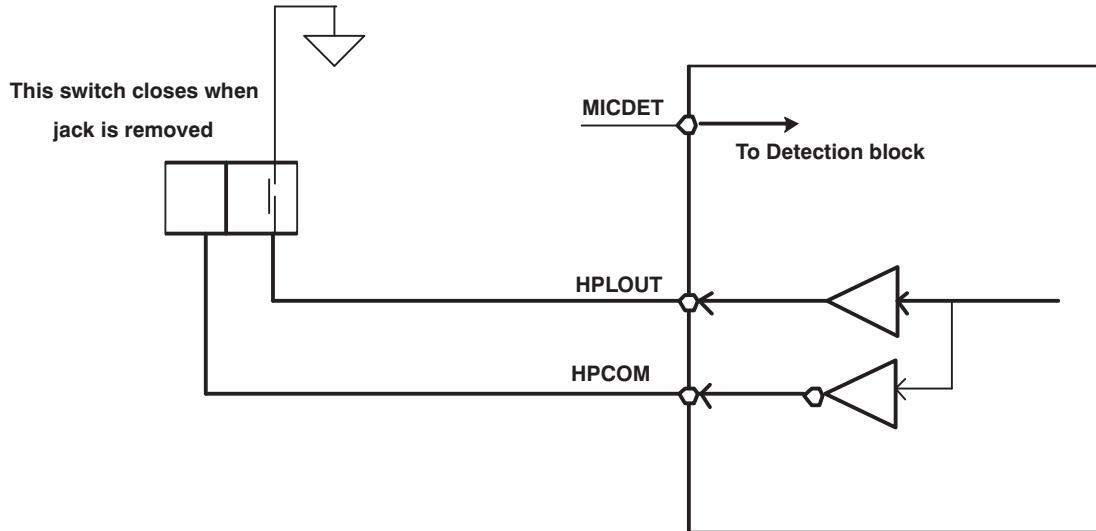


Figure 31. Configuration of Device for Jack Detection Using a Fully Differential Stereo Headphone Output Connection

## 10.4 Device Functional Modes

### 10.4.1 Bypass Path Mode

The TLV320AIC3107 is a versatile device designed for low-power applications. In some cases, only a few features of the device are required. For these applications, the unused stages of the device must be powered down to save power and an alternate route should be used. This is called a bypass path. The bypass path modes let the device to save power by turning off unused stages, like ADC, DAC and PGA.

#### 10.4.1.1 Analog Input Bypass Path Functionality

The TLV320AIC3107 includes the additional ability to route some analog input signals past the integrated data converters, for mixing with other analog signals and then direct connection to the output drivers. This capability is useful in a cellphone, for example, when a separate FM radio device provides a stereo analog output signal that needs to be routed to headphones. The TLV320AIC3107 supports this in a low power mode by providing a direct analog path through the device to the output drivers, while all ADCs and DACs can be completely powered down to save power.

For fully-differential inputs, the TLV320AIC3107 provides the ability to pass the signals LINE2LP-LINE2LM and LINE2RP-LINE2RM to the output stage directly. If in single-ended configuration, the device can pass the signal LINE2LP and LINE2RP to the output stage directly.

#### 10.4.1.2 ADC PGA Signal Bypass Path Functionality

In addition to the input bypass path described above, the TLV320AIC3107 also includes the ability to route the ADC PGA output signals past the ADC, for mixing with other analog signals and then direct connection to the output drivers. These bypass functions are described in more detail in the sections on output mixing and output driver configurations.

## Device Functional Modes (continued)

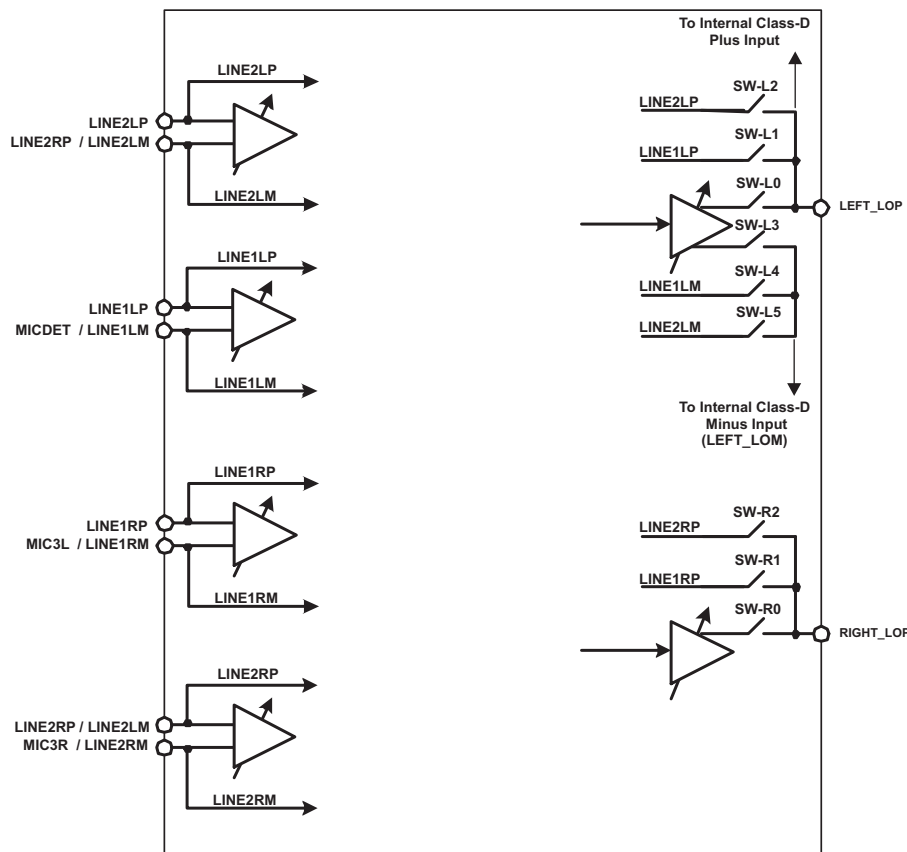
### 10.4.1.3 Passive Analog Bypass During Powerdown

Programming the TLV320AIC3107 to Passive Analog bypass occurs by configuring the output stage switches for pass through. This is done by opening switches SW-L0, SW-L3, SW-R0, and closing either SW-L1 or SW-L2 and SW-R1 or SW-R2. See [Figure 32](#) Passive Analog Bypass Mode Configuration. Programming this mode is done by writing to Page 0, Register 108.

Connecting LINE1LP input signal to the LEFT\_LOP pin is done by closing SW-L1 and opening SW-L0, this action is done by writing a “1” to Page 0, Register 108, Bit D0. Connecting LINE2LP input signal to the LEFT\_LOP internal signal is done by closing SW-L2 and opening SW-L0, this action is done by writing a “1” to Page 0, Register 108, Bit D2. Connecting MICDET/LINE1LM input signal to the LEFT\_LOM internal signal is done by closing SW-L4 and opening SW-L3, this action is done by writing a “1” to Page 0, Register 108, Bit D1. Connecting LINE2RP/LINE2LM input signal to the LEFT\_LOM internal signal is done by closing SW-L5 and opening SW-L3, this action is done by writing a “1” to Page 0, Register 108, Bit D3.

Connecting MIC1RP/LINE1RP input signal to the RIGHT\_LOP pin is done by closing SW-R1 and opening SW-R0, this action is done by writing a “1” to Page 0, Register 108, Bit D4. Connecting LINE2RP/LINE2LM input signal to the RIGHT\_LOP pin is done by closing SW-R2 and opening SW-R0, this action is done by writing a “1” to Page 0, Register 108, Bit D6. A diagram of the passive analog bypass mode configuration can be seen in [Figure 32](#).

In general, connecting two switches to the same output pin should be avoided, as this error will short two input signals together, and can cause distortion of the signal as the two signal are in contention, and poor frequency response can occur.



**Figure 32. Passive Analog Bypass Mode Configuration**

## Device Functional Modes (continued)

### 10.4.2 Digital Audio Processing For Record Path

In applications where record *only* is selected, and DAC is powered down, the playback path signal processing blocks can be used in the ADC record path. These filtering blocks can support high pass, low pass, band pass or notch filtering. In this mode, the record only path has switches SW-D1 through SW-D4 closed, and reroutes the ADC output data through the digital signal processing blocks. Since the DAC's Digital Signal Processing blocks are being re-used, naturally the addresses of these digital filter coefficients are the same as for the DAC digital processing and are located on Page 1, Registers 1-52. This record only mode is enabled by powering down both DACs by writing to Page 0, Register 37, bits D7-D6 (D7=D6="0"). Next, enable the digital filter pathway for the ADC by writing a "1" to Page 0, Register 107, bit D3. (Note, this pathway is only enabled if *both* DACs are powered down.) This record only path can be seen in [Figure 33](#).

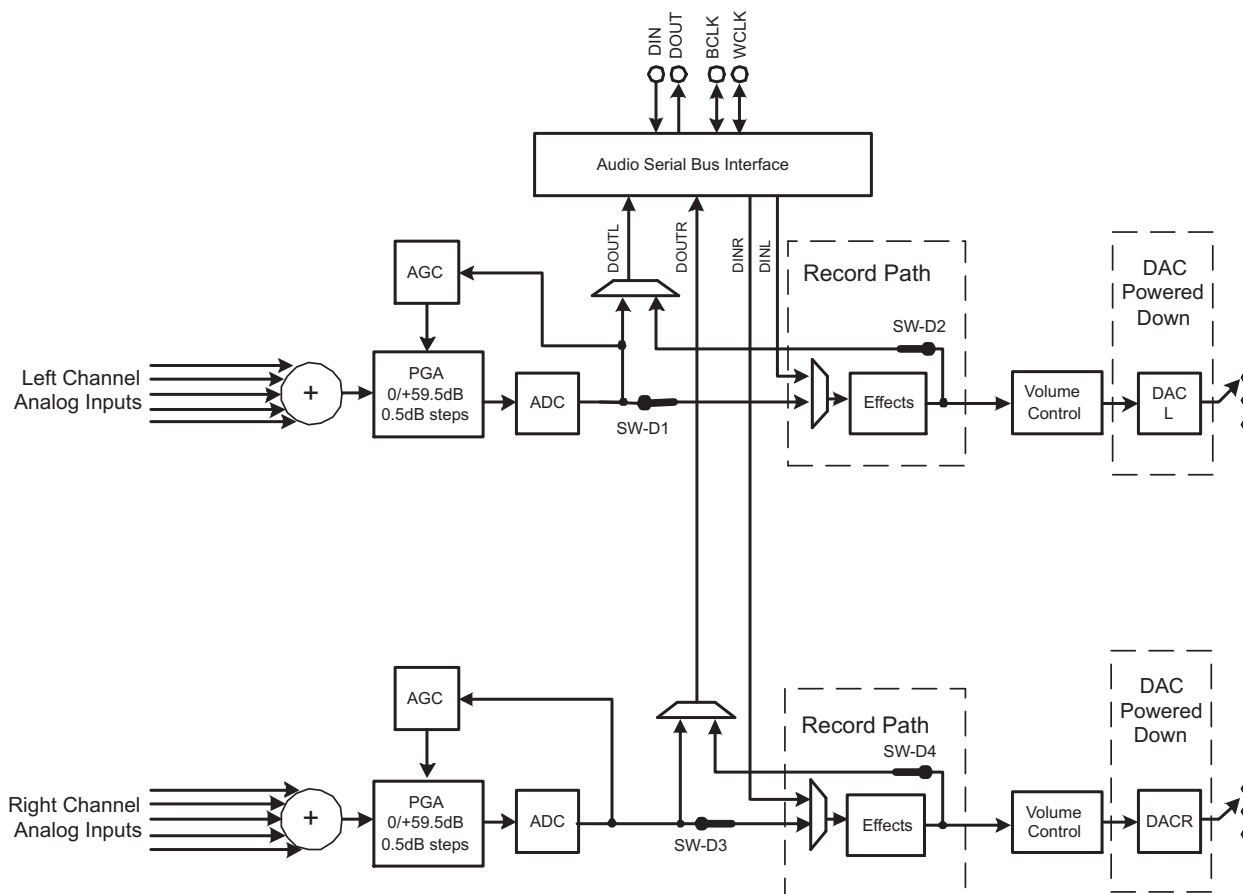
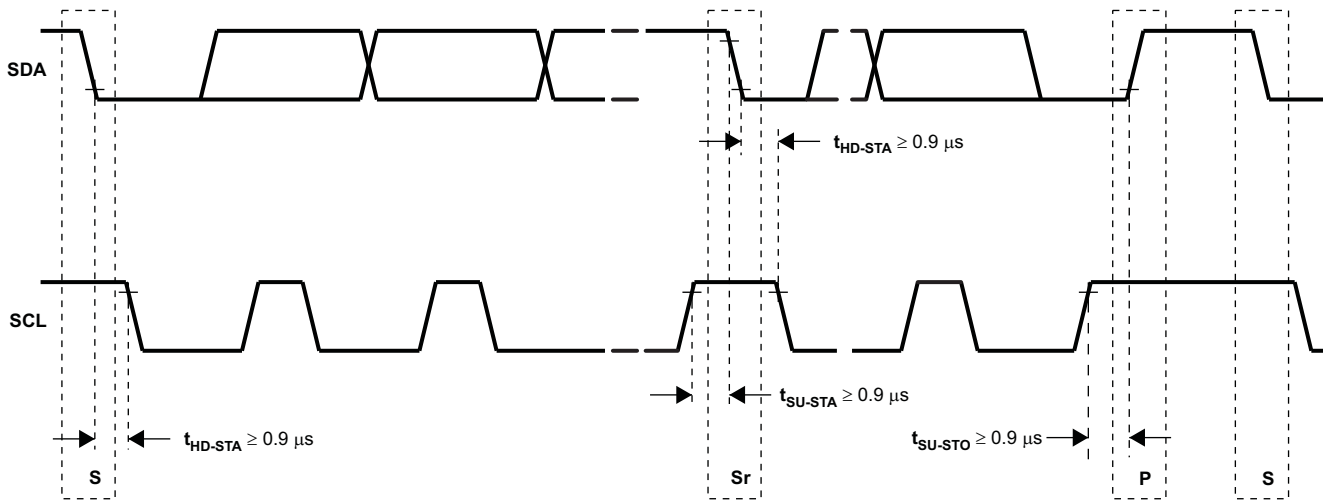


Figure 33. Record Only Mode With Digital Processing Path Enabled

## 10.5 Programming

### 10.5.1 I<sup>2</sup>C Control Mode

The TLV320AIC3107 supports the I<sup>2</sup>C control protocol using 7-bit addressing, and is capable of both standard and fast modes. The TLV320AIC3107 responds to the I<sup>2</sup>C address of 001 1000. For I<sup>2</sup>C fast mode, note that the minimum timing for each of  $t_{HD-STA}$ ,  $t_{SU-STA}$ , and  $t_{SU-STO}$  is 0.9  $\mu$ s, as seen in [Figure 34](#).

**Programming (continued)**

**Figure 34. I<sup>2</sup>C Fast-Mode Timing Requirements**

I<sup>2</sup>C is a two-wire, open-drain interface supporting multiple devices and masters on a single bus. Devices on the I<sup>2</sup>C bus only drive the bus lines LOW by connecting them to ground; they never drive the bus lines HIGH. Instead, the bus wires are pulled HIGH by pull-up resistors, so the bus wires are HIGH when no device is driving them LOW. This way, two devices cannot conflict; if two devices drive the bus simultaneously, there is no driver contention.

Communication on the I<sup>2</sup>C bus always takes place between two devices, one acting as the master and the other acting as the slave. Both masters and slaves can read and write, but slaves can only do so under the direction of the master. Some I<sup>2</sup>C devices can act as masters or slaves, but the TLV320AIC3107 can only act as a slave device.

An I<sup>2</sup>C bus consists of two lines, SDA and SCL. SDA carries data; SCL provides the clock. All data is transmitted across the I<sup>2</sup>C bus in groups of eight bits. To send a bit on the I<sup>2</sup>C bus, the SDA line is driven to the appropriate level while SCL is LOW (a LOW on SDA indicates the bit is zero; a HIGH indicates the bit is one). Once the SDA line has settled, the SCL line is brought HIGH, then LOW. This pulse on SCL clocks the SDA bit into the receivers shift register.

The I<sup>2</sup>C bus is bidirectional: the SDA line is used both for transmitting and receiving data. When a master reads from a slave, the slave drives the data line; when a master sends to a slave, the master drives the data line. Under normal circumstances the master drives the clock line.

Most of the time the bus is idle, no communication is taking place, and both lines are HIGH. When communication is taking place, the bus is active. Only master devices can start a communication. They do this by causing a START condition on the bus. Normally, the data line is only allowed to change state while the clock line is LOW. If the data line changes state while the clock line is HIGH, it is either a START condition or its counterpart, a STOP condition. A START condition is when the clock line is HIGH and the data line goes from HIGH to LOW. A STOP condition is when the clock line is HIGH and the data line goes from LOW to HIGH.

After the master issues a START condition, it sends a byte that indicates which slave device it wants to communicate with. This byte is called the address byte. Each device on an I<sup>2</sup>C bus has a unique 7-bit address to which it responds. (Slaves can also have 10-bit addresses; see the I<sup>2</sup>C specification for details.) The master sends an address in the address byte, together with a bit that indicates whether it wishes to read from or write to the slave device.

Every byte transmitted on the I<sup>2</sup>C bus, whether it is address or data, is acknowledged with an acknowledge bit. When a master has finished sending a byte (eight data bits) to a slave, it stops driving SDA and waits for the slave to acknowledge the byte. The slave acknowledges the byte by pulling SDA LOW. The master then sends a clock pulse to clock the acknowledge bit. Similarly, when a master has finished reading a byte, it pulls SDA LOW to acknowledge this to the slave. It then sends a clock pulse to clock the bit.

## Programming (continued)

A not-acknowledge is performed by simply leaving SDA HIGH during an acknowledge cycle. If a device is not present on the bus, and the master attempts to address it, it will receive a not-acknowledge because no device is present at that address to pull the line LOW.

When a master has finished communicating with a slave, it may issue a STOP condition. When a STOP condition is issued, the bus becomes idle again. A master may also issue another START condition. When a START condition is issued while the bus is active, it is called a repeated START condition.

The TLV320AIC3107 also responds to and acknowledges a General Call, which consists of the master issuing a command with a slave address byte of 00H.

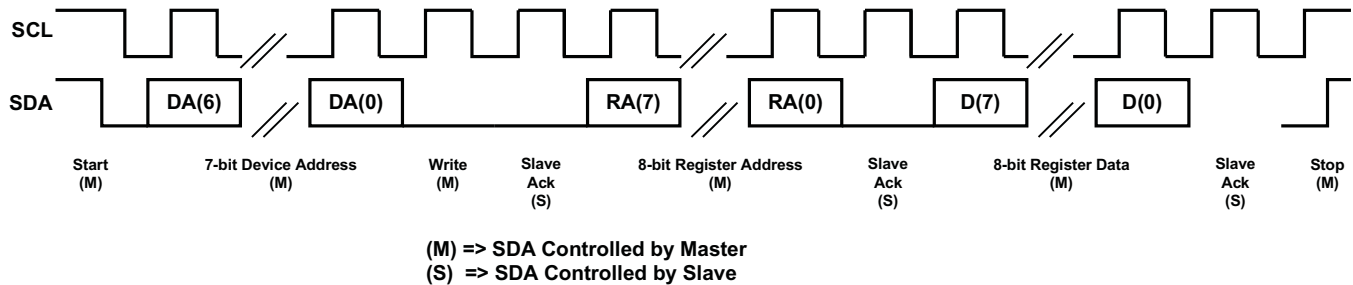


Figure 35. I<sup>2</sup>C Write

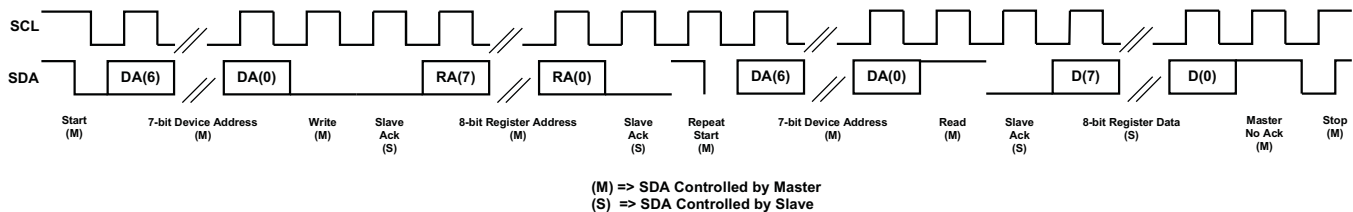


Figure 36. I<sup>2</sup>C Read

In the case of an I<sup>2</sup>C register write, if the master does not issue a STOP condition, then the device enters auto-increment mode. So in the next eight clocks, the data on SDA is treated as data for the next incremental register.

Similarly, in the case of an I<sup>2</sup>C register read, after the device has sent out the 8-bit data from the addressed register, if the master issues an ACKNOWLEDGE, the slave takes over control of SDA bus and transmit for the next 8 clocks the data of the next incremental register.

### 10.5.1.1 I<sup>2</sup>C Bus Debug in a Glitched System

Occasionally, some systems may encounter noise or glitches on the I<sup>2</sup>C bus. In the unlikely event that this affects bus performance, then it can be useful to use the I<sup>2</sup>C Debug register. This feature terminates the I<sup>2</sup>C bus error allowing this I<sup>2</sup>C device and system to resume communications. The I<sup>2</sup>C bus error detector is enabled by default. The TLV320AIC3107 I<sup>2</sup>C error detector status can be read from Page 0, Register 107, bit D0. If desired, the detector can be disabled by writing to Page 0, Register 107, bit D2.

### 10.5.1.2 Register Map Structure

The register map of the TLV320AIC3107 actually consists of two pages of registers, with each page containing 128 registers. The register at address zero on each page is used as a page-control register, and writing to this register determines the active page for the device. All subsequent read/write operations access the page that is active at the time, unless a register write is performed to change the active page. The active page defaults to page 0 on device reset.

## Programming (continued)

For example, at device reset, the active page defaults to page 0, and thus all register read/write operations for addresses 1 to 127 access registers in page 0. If registers on page 1 must be accessed, the user must write the 8-bit sequence 0x01 to register 0, the page control register, to change the active page from page 0 to page 1. After this write, it is recommended that the user also read back the page control register, to ensure the change in page control has occurred properly. Future read/write operations to addresses 1 to 127 now access registers in page 1. When page-0 registers must be accessed again, the user writes the 8-bit sequence 0x00 to register 0, the page control register, to change the active page back to page 0. After a recommended read of the page control register, all further read/write operations to addresses 1 to 127 access page-0 registers again.

## 10.6 Register Maps

### 10.6.1 Control Registers

The control registers for the TLV320AIC3107 are described in detail below. All registers are 8 bit in width, with D7 referring to the most significant bit of each register, and D0 referring to the least significant bit.

**Table 6. Page 0 / Register 0: Page Select Register**

| BIT <sup>(1)</sup> | READ/<br>WRITE | RESET<br>VALUE | DESCRIPTION                                                                                                                                                                                                                                                                                                                                                           |
|--------------------|----------------|----------------|-----------------------------------------------------------------------------------------------------------------------------------------------------------------------------------------------------------------------------------------------------------------------------------------------------------------------------------------------------------------------|
| D7–D1              | X              | 0000000        | Reserved, write only zeros to these register bits                                                                                                                                                                                                                                                                                                                     |
| D0                 | R/W            | 0              | Page Select Bit<br>Writing zero to this bit sets Page-0 as the active page for following register accesses. Writing a one to this bit sets Page-1 as the active page for following register accesses. It is recommended that the user read this register bit back after each write, to ensure that the proper page is being accessed for future register read/writes. |

- (1) When resetting registers related to routing and volume controls of output drivers, it is recommended to reset them by writing directly to the registers instead of using software reset.

**Table 7. Page 0 / Register 1: Software Reset Register**

| BIT   | READ/<br>WRITE | RESET<br>VALUE | DESCRIPTION                                                              |
|-------|----------------|----------------|--------------------------------------------------------------------------|
| D7    | W              | 0              | Software Reset Bit<br>0 : Don't Care<br>1 : Self clearing software reset |
| D6–D0 | W              | 0000000        | Reserved; don't write                                                    |

**Table 8. Page 0 / Register 2:      Codec Sample Rate Select Register**

| BIT   | READ/<br>WRITE | RESET<br>VALUE | DESCRIPTION                                                                                                                                                                                                                                                                                                                                                                                      |
|-------|----------------|----------------|--------------------------------------------------------------------------------------------------------------------------------------------------------------------------------------------------------------------------------------------------------------------------------------------------------------------------------------------------------------------------------------------------|
| D7-D4 | R/W            | 0000           | ADC Sample Rate Select<br>0000: ADC Fs = Fsref/1<br>0001: ADC Fs = Fsref/1.5<br>0010: ADC Fs = Fsref/2<br>0011: ADC Fs = Fsref/2.5<br>0100: ADC Fs = Fsref/3<br>0101: ADC Fs = Fsref/3.5<br>0110: ADC Fs = Fsref/4<br>0111: ADC Fs = Fsref/4.5<br>1000: ADC Fs = Fsref/5<br>1001: ADC Fs = Fsref/5.5<br>1010: ADC Fs = Fsref / 6<br>1011–1111: Reserved, do not write these sequences.           |
| D3-D0 | R/W            | 0000           | DAC Sample Rate Select<br>0000 : DAC Fs = Fsref/1<br>0001 : DAC Fs = Fsref/1.5<br>0010 : DAC Fs = Fsref/2<br>0011 : DAC Fs = Fsref/2.5<br>0100 : DAC Fs = Fsref/3<br>0101 : DAC Fs = Fsref/3.5<br>0110 : DAC Fs = Fsref/4<br>0111 : DAC Fs = Fsref/4.5<br>1000 : DAC Fs = Fsref/5<br>1001: DAC Fs = Fsref/5.5<br>1010: DAC Fs = Fsref / 6<br>1011–1111 : Reserved, do not write these sequences. |

**Table 9. Page 0 / Register 3:      PLL Programming Register A**

| BIT   | READ/<br>WRITE | RESET<br>VALUE | DESCRIPTION                                                                                                                         |
|-------|----------------|----------------|-------------------------------------------------------------------------------------------------------------------------------------|
| D7    | R/W            | 0              | PLL Control Bit<br>0: PLL is disabled<br>1: PLL is enabled                                                                          |
| D6–D3 | R/W            | 0010           | PLL Q Value<br>0000: Q = 16<br>0001 : Q = 17<br>0010 : Q = 2<br>0011 : Q = 3<br>0100 : Q = 4<br>...<br>1110: Q = 14<br>1111: Q = 15 |
| D2–D0 | R/W            | 000            | PLL P Value<br>000: P = 8<br>001: P = 1<br>010: P = 2<br>011: P = 3<br>100: P = 4<br>101: P = 5<br>110: P = 6<br>111: P = 7         |

**Table 10. Page 0 / Register 4: PLL Programming Register B**

| BIT   | READ/<br>WRITE | RESET<br>VALUE | DESCRIPTION                                                                                                                                               |
|-------|----------------|----------------|-----------------------------------------------------------------------------------------------------------------------------------------------------------|
| D7–D2 | R/W            | 000001         | PLL J Value<br>000000: Reserved, do not write this sequence<br>000001: J = 1<br>000010: J = 2<br>000011: J = 3<br>...<br>111110: J = 62<br>111111: J = 63 |
| D1–D0 | R/W            | 00             | Reserved, write only zeros to these bits                                                                                                                  |

**Table 11. Page 0 / Register 5: PLL Programming Register C<sup>(1)</sup>**

| BIT   | READ/<br>WRITE | RESET<br>VALUE | DESCRIPTION                                                                                                                                                                                                                                                                           |
|-------|----------------|----------------|---------------------------------------------------------------------------------------------------------------------------------------------------------------------------------------------------------------------------------------------------------------------------------------|
| D7–D0 | R/W            | 00000000       | PLL D value – Eight most significant bits of a 14-bit unsigned integer valid values for D are from zero to 9999, represented by a 14-bit integer located in Page-0/Reg-5-6. Values should not be written into these registers that would result in a D value outside the valid range. |

- (1) Note that whenever the D value is changed, register 5 should be written, immediately followed by register 6. Even if only the MSB or LSB of the value changes, both registers should be written.

**Table 12. Page 0 / Register 6: PLL Programming Register D**

| BIT   | READ/<br>WRITE | RESET<br>VALUE | DESCRIPTION                                                                                                                                                                                                                                                                          |
|-------|----------------|----------------|--------------------------------------------------------------------------------------------------------------------------------------------------------------------------------------------------------------------------------------------------------------------------------------|
| D7–D2 | R/W            | 00000000       | PLL D value – Six least significant bits of a 14-bit unsigned integer valid values for D are from zero to 9999, represented by a 14-bit integer located in Page-0/Reg-5-6. Values should not be written into these registers that would result in a D value outside the valid range. |
| D1–D0 | R              | 00             | Reserved, write only zeros to these bits.                                                                                                                                                                                                                                            |

**Table 13. Page 0 / Register 7: Codec Datapath Setup Register**

| BIT   | READ/<br>WRITE | RESET<br>VALUE | DESCRIPTION                                                                                                                                                                                                                                                        |
|-------|----------------|----------------|--------------------------------------------------------------------------------------------------------------------------------------------------------------------------------------------------------------------------------------------------------------------|
| D7    | R/W            | 0              | Fsref setting<br>This register setting controls timers related to the AGC time constants.<br>0: Fsref = 48-kHz<br>1: Fsref = 44.1-kHz                                                                                                                              |
| D6    | R/W            | 0              | ADC Dual rate control<br>0: ADC dual rate mode is disabled<br>1: ADC dual rate mode is enabled<br>Note: ADC Dual Rate Mode must match DAC Dual Rate Mode                                                                                                           |
| D5    | R/W            | 0              | DAC Dual Rate Control<br>0: DAC dual rate mode is disabled<br>1: DAC dual rate mode is enabled                                                                                                                                                                     |
| D4–D3 | R/W            | 00             | Left DAC Datapath Control<br>00: Left DAC datapath is off (muted)<br>01: Left DAC datapath plays left channel input data<br>10: Left DAC datapath plays right channel input data<br>11: Left DAC datapath plays mono mix of left and right channel input data      |
| D2–D1 | R/W            | 00             | Right DAC Datapath Control<br>00: Right DAC datapath is off (muted)<br>01: Right DAC datapath plays right channel input data<br>10: Right DAC datapath plays left channel input data<br>11: Right DAC datapath plays mono mix of left and right channel input data |
| D0    | R/W            | 0              | Reserved. Only write zero to this register.                                                                                                                                                                                                                        |

**Table 14. Page 0 / Register 8: Audio Serial Data Interface Control Register A**

| BIT   | READ/<br>WRITE | RESET<br>VALUE | DESCRIPTION                                                                                                                                                                                                                                                                                                              |
|-------|----------------|----------------|--------------------------------------------------------------------------------------------------------------------------------------------------------------------------------------------------------------------------------------------------------------------------------------------------------------------------|
| D7    | R/W            | 0              | Bit Clock Directional Control<br>0: BCLK is an input (slave mode)<br>1: BCLK is an output (master mode)                                                                                                                                                                                                                  |
| D6    | R/W            | 0              | Word Clock Directional Control<br>0: WCLK (or GPIO1 if programmed as WCLK) is an input (slave mode)<br>1: WCLK (or GPIO1 if programmed as WCLK) is an output (master mode)                                                                                                                                               |
| D5    | R/W            | 0              | Serial Output Data Driver (DOOUT) 3-State Control<br>0: Do not 3-state DOOUT when valid data is not being sent<br>1: 3-State DOOUT when valid data is not being sent                                                                                                                                                     |
| D4    | R/W            | 0              | Bit/ Word Clock Drive Control<br>0: BCLK / WCLK (or GPIO1 if programmed as WCLK) will not continue to be transmitted when running in master mode if codec is powered down<br>1: BCLK / WCLK (or GPIO1 if programmed as WCLK) will continue to be transmitted when running in master mode - even if codec is powered down |
| D3    | R/W            | 0              | Reserved. Don't write to this register bit.                                                                                                                                                                                                                                                                              |
| D2    | R/W            | 0              | 3-D Effect Control<br>0: Disable 3-D digital effect processing<br>1: Enable 3-D digital effect processing                                                                                                                                                                                                                |
| D1-D0 | R/W            | 00             | Reserved. Write Only zeroes to these bits.                                                                                                                                                                                                                                                                               |

**Table 15. Page 0 / Register 9: Audio Serial Data Interface Control Register B**

| BIT   | READ/<br>WRITE | RESET<br>VALUE | DESCRIPTION                                                                                                                                                                                                                                             |
|-------|----------------|----------------|---------------------------------------------------------------------------------------------------------------------------------------------------------------------------------------------------------------------------------------------------------|
| D7–D6 | R/W            | 00             | Audio Serial Data Interface Transfer Mode<br>00: Serial data bus uses I <sup>2</sup> S mode<br>01: Serial data bus uses DSP mode<br>10: Serial data bus uses right-justified mode<br>11: Serial data bus uses left-justified mode                       |
| D5–D4 | R/W            | 00             | Audio Serial Data Word Length Control<br>00: Audio data word length = 16-bits<br>01: Audio data word length = 20-bits<br>10: Audio data word length = 24-bits<br>11: Audio data word length = 32-bits                                                   |
| D3    | R/W            | 0              | Bit Clock Rate Control<br>This register only has effect when bit clock is programmed as an output<br>0: Continuous-transfer mode used to determine master mode bit clock rate<br>1: 256-clock transfer mode used, resulting in 256 bit clocks per frame |
| D2    | R/W            | 0              | DAC Re-Sync<br>0: Don't Care<br>1: Re-Sync Stereo DAC with Codec Interface if the group delay changes by more than $\pm$ DACFS/4.                                                                                                                       |
| D1    | R/W            | 0              | ADC Re-Sync<br>0: Don't Care<br>1: Re-Sync Stereo ADC with Codec Interface if the group delay changes by more than $\pm$ ADCFS/4.                                                                                                                       |
| D0    | R/W            |                | Re-Sync Mute Behavior<br>0: Re-Sync is done without soft-muting the channel. (ADC/DAC)<br>1: Re-Sync is done by internally soft-muting the channel. (ADC/DAC)                                                                                           |

**Table 16. Page 0 / Register 10: Audio Serial Data Interface Control Register C**

| BIT   | READ/<br>WRITE | RESET<br>VALUE | DESCRIPTION                                                                                                                                                                                                                                                                                                                                                                                                                                                                                                                                                                                                                                                                                                                 |
|-------|----------------|----------------|-----------------------------------------------------------------------------------------------------------------------------------------------------------------------------------------------------------------------------------------------------------------------------------------------------------------------------------------------------------------------------------------------------------------------------------------------------------------------------------------------------------------------------------------------------------------------------------------------------------------------------------------------------------------------------------------------------------------------------|
| D7–D0 | R/W            | 00000000       | Audio Serial Data Word Offset Control<br>This register determines where valid data is placed or expected in each frame, by controlling the offset from beginning of the frame where valid data begins. The offset is measured from the rising edge of word clock when in DSP mode.<br>00000000: Data offset = 0 bit clocks<br>00000001: Data offset = 1 bit clock<br>00000010: Data offset = 2 bit clocks<br>...<br>Note: In continuous transfer mode the maximum offset is 17 for I <sup>2</sup> S/LJF/RJF modes and 16 for DSP mode. In 256-clock mode, the maximum offset is 242 for I <sup>2</sup> S/LJF/RJF and 241 for DSP modes.<br>11111110: Data offset = 254 bit clocks<br>11111111: Data offset = 255 bit clocks |

**Table 17. Page 0 / Register 11: Audio Codec Overflow Flag Register**

| BIT   | READ/<br>WRITE | RESET<br>VALUE | DESCRIPTION                                                                                                                                                                                                                                     |
|-------|----------------|----------------|-------------------------------------------------------------------------------------------------------------------------------------------------------------------------------------------------------------------------------------------------|
| D7    | R              | 0              | Left ADC Overflow Flag<br>This is a sticky bit, so will stay set if an overflow occurs, even if the overflow condition is removed. The register bit reset to 0 after it is read.<br>0: No overflow has occurred<br>1: An overflow has occurred  |
| D6    | R              | 0              | Right ADC Overflow Flag<br>This is a sticky bit, so will stay set if an overflow occurs, even if the overflow condition is removed. The register bit reset to 0 after it is read.<br>0: No overflow has occurred<br>1: An overflow has occurred |
| D5    | R              | 0              | Left DAC Overflow Flag<br>This is a sticky bit, so will stay set if an overflow occurs, even if the overflow condition is removed. The register bit reset to 0 after it is read.<br>0: No overflow has occurred<br>1: An overflow has occurred  |
| D4    | R              | 0              | Right DAC Overflow Flag<br>This is a sticky bit, so will stay set if an overflow occurs, even if the overflow condition is removed. The register bit reset to 0 after it is read.<br>0: No overflow has occurred<br>1: An overflow has occurred |
| D3–D0 | R/W            | 0001           | PLL R Value<br>0000: R = 16<br>0001 : R = 1<br>0010 : R = 2<br>0011 : R = 3<br>0100 : R = 4<br>...<br>1110: R = 14<br>1111: R = 15                                                                                                              |

**Table 18. Page 0 / Register 12: Audio Codec Digital Filter Control Register**

| BIT   | READ/<br>WRITE | RESET<br>VALUE | DESCRIPTION                                                                                                                                                                                                                                                                         |
|-------|----------------|----------------|-------------------------------------------------------------------------------------------------------------------------------------------------------------------------------------------------------------------------------------------------------------------------------------|
| D7–D6 | R/W            | 00             | Left ADC Highpass Filter Control<br>00: Left ADC highpass filter disabled<br>01: Left ADC highpass filter –3 dB frequency = 0.0045 × ADC Fs<br>10: Left ADC highpass filter –3 dB frequency = 0.0125 × ADC Fs<br>11: Left ADC highpass filter –3 dB frequency = 0.025 × ADC Fs      |
| D5–D4 | R/W            | 00             | Right ADC Highpass Filter Control<br>00: Right ADC highpass filter disabled<br>01: Right ADC highpass filter –3 dB frequency = 0.0045 × ADC Fs<br>10: Right ADC highpass filter –3 dB frequency = 0.0125 × ADC Fs<br>11: Right ADC highpass filter –3 dB frequency = 0.025 × ADC Fs |
| D3    | R/W            | 0              | Left DAC Digital Effects Filter Control<br>0: Left DAC digital effects filter disabled (bypassed)<br>1: Left DAC digital effects filter enabled                                                                                                                                     |
| D2    | R/W            | 0              | Left DAC De-emphasis Filter Control<br>0: Left DAC de-emphasis filter disabled (bypassed)<br>1: Left DAC de-emphasis filter enabled                                                                                                                                                 |
| D1    | R/W            | 0              | Right DAC Digital Effects Filter Control<br>0: Right DAC digital effects filter disabled (bypassed)<br>1: Right DAC digital effects filter enabled                                                                                                                                  |
| D0    | R/W            | 0              | Right DAC De-emphasis Filter Control<br>0: Right DAC de-emphasis filter disabled (bypassed)<br>1: Right DAC de-emphasis filter enabled                                                                                                                                              |

**Table 19. Page 0 / Register 13: Headset / Button Press Detection Register A**

| BIT   | READ/<br>WRITE | RESET<br>VALUE | DESCRIPTION                                                                                                                                                                                                                                                                                                                                                                                                                                                                                                                              |
|-------|----------------|----------------|------------------------------------------------------------------------------------------------------------------------------------------------------------------------------------------------------------------------------------------------------------------------------------------------------------------------------------------------------------------------------------------------------------------------------------------------------------------------------------------------------------------------------------------|
| D7    | R/W            | 0              | Headset Detection Control<br>0: Headset detection disabled<br>1: Headset detection enabled                                                                                                                                                                                                                                                                                                                                                                                                                                               |
| D6–D5 | R              | 00             | Headset Type Detection Results<br>00: No headset detected<br>01: Stereo headset detected<br>10: Cellular headset detected<br>11: Stereo + cellular headset detected                                                                                                                                                                                                                                                                                                                                                                      |
| D4–D2 | R/W            | 000            | Headset Glitch Suppression Debounce Control for Jack Detection<br>000: Debounce = 16msec( sampled with 2ms clock)<br>001: Debounce = 32msec( sampled with 4ms clock)<br>010: Debounce = 64msec( sampled with 8ms clock)<br>011: Debounce = 128msec( sampled with 16ms clock)<br>100: Debounce = 256msec( sampled with 32ms clock)<br>101: Debounce = 512msec( sampled with 64ms clock)<br>110: Reserved, do not write this bit sequence to these register bits.<br>111: Reserved, do not write this bit sequence to these register bits. |
| D1–D0 | R/W            | 00             | Headset Glitch Suppression Debounce Control for Button Press<br>00: Debounce = 0msec<br>01: Debounce = 8msec(sampled with 1ms clock)<br>10: Debounce = 16msec(sampled with 2ms clock)<br>11: Debounce = 32msec(sampled with 4ms clock)                                                                                                                                                                                                                                                                                                   |

**Table 20. Page 0 / Register 14: Headset / Button Press Detection Register B**

| BIT               | READ/<br>WRITE | RESET<br>VALUE | DESCRIPTION                                                                                                                                                                                                                                                                                      |
|-------------------|----------------|----------------|--------------------------------------------------------------------------------------------------------------------------------------------------------------------------------------------------------------------------------------------------------------------------------------------------|
| D7                | R/W            | 0              | Driver Capacitive Coupling<br>0: Programs high-power outputs for capless driver configuration<br>1: Programs high-power outputs for ac-coupled driver configuration                                                                                                                              |
| D6 <sup>(1)</sup> | R/W            | 0              | Stereo Output Driver Configuration A<br>Note: do not set bits D6 and D3 both high at the same time.<br>0: A stereo fully-differential output configuration is not being used<br>1: A stereo fully-differential output configuration is being used                                                |
| D5                | R              | 0              | Button Press Detection Flag<br>This register is a sticky bit, and will stay set to 1 after a button press has been detected, until the register is read. Upon reading this register, the bit is reset to zero.<br>0: A button press has not been detected<br>1: A button press has been detected |
| D4                | R              | 0              | Headset Detection Flag<br>0: A headset has not been detected<br>1: A headset has been detected                                                                                                                                                                                                   |
| D3 <sup>(1)</sup> | R/W            | 0              | Stereo Output Driver Configuration B<br>Note: do not set bits D6 and D3 both high at the same time.<br>0: A stereo pseudo-differential output configuration is not being used<br>1: A stereo pseudo-differential output configuration is being used                                              |
| D2–D0             | R              | 000            | Reserved. Write only zeros to these bits.                                                                                                                                                                                                                                                        |

(1) Do not set D6 and D3 to 1 simultaneously

**Table 21. Page 0 / Register 15: Left ADC PGA Gain Control Register**

| BIT   | READ/<br>WRITE | RESET<br>VALUE | DESCRIPTION                                                                                                                                                                                                                    |
|-------|----------------|----------------|--------------------------------------------------------------------------------------------------------------------------------------------------------------------------------------------------------------------------------|
| D7    | R/W            | 1              | Left ADC PGA Mute<br>0: The left ADC PGA is not muted<br>1: The left ADC PGA is muted                                                                                                                                          |
| D6–D0 | R/W            | 0000000        | Left ADC PGA Gain Setting<br>0000000: Gain = 0.0 dB<br>0000001: Gain = 0.5 dB 0000010: Gain = 1.0 dB<br>...<br>1110110: Gain = 59.0 dB<br>1110111: Gain = 59.5 dB<br>1111000: Gain = 59.5 dB<br>...<br>1111111: Gain = 59.5 dB |

**Table 22. Page 0 / Register 16: Right ADC PGA Gain Control Register**

| BIT   | READ/<br>WRITE | RESET<br>VALUE | DESCRIPTION                                                                                                                                                                                                                        |
|-------|----------------|----------------|------------------------------------------------------------------------------------------------------------------------------------------------------------------------------------------------------------------------------------|
| D7    | R/W            | 1              | Right ADC PGA Mute<br>0: The right ADC PGA is not muted<br>1: The right ADC PGA is muted                                                                                                                                           |
| D6–D0 | R/W            | 0000000        | Right ADC PGA Gain Setting<br>0000000: Gain = 0.0 dB<br>0000001: Gain = 0.5 dB<br>0000010: Gain = 1.0 dB<br>...<br>1110110: Gain = 59.0 dB<br>1110111: Gain = 59.5 dB<br>1111000: Gain = 59.5 dB<br>...<br>1111111: Gain = 59.5 dB |

**Table 23. Page 0 / Register 17: MIC3L/R to Left ADC Control Register**

| BIT   | READ/<br>WRITE | RESET<br>VALUE | DESCRIPTION                                                                                                                                                                                                                                                                                                                                                                                                                                                                                                                                                                                                                                                                                                                         |
|-------|----------------|----------------|-------------------------------------------------------------------------------------------------------------------------------------------------------------------------------------------------------------------------------------------------------------------------------------------------------------------------------------------------------------------------------------------------------------------------------------------------------------------------------------------------------------------------------------------------------------------------------------------------------------------------------------------------------------------------------------------------------------------------------------|
| D7-D4 | R/W            | 1111           | <p>MIC3L Input Level Control for Left ADC PGA Mix<br/>Setting the input level control to a gain below automatically connects MIC3L to the left ADC PGA mix</p> <p>0000: Input level control gain = 0.0 dB<br/> 0001: Input level control gain = -1.5 dB<br/> 0010: Input level control gain = -3.0 dB<br/> 0011: Input level control gain = -4.5 dB<br/> 0100: Input level control gain = -6.0 dB<br/> 0101: Input level control gain = -7.5 dB<br/> 0110: Input level control gain = -9.0 dB<br/> 0111: Input level control gain = -10.5 dB<br/> 1000: Input level control gain = -12.0 dB<br/> 1001–1110: Reserved. Do not write these sequences to these register bits<br/> 1111: MIC3L is not connected to the left ADC PGA</p> |
| D3-D0 | R/W            | 1111           | <p>MIC3R Input Level Control for Left ADC PGA Mix<br/>Setting the input level control to a gain below automatically connects MIC3R to the left ADC PGA mix</p> <p>0000: Input level control gain = 0.0 dB<br/> 0001: Input level control gain = -1.5 dB<br/> 0010: Input level control gain = -3.0 dB<br/> 0011: Input level control gain = -4.5 dB<br/> 0100: Input level control gain = -6.0 dB<br/> 0101: Input level control gain = -7.5 dB<br/> 0110: Input level control gain = -9.0 dB<br/> 0111: Input level control gain = -10.5 dB<br/> 1000: Input level control gain = -12.0 dB<br/> 1001–1110: Reserved. Do not write these sequences to these register bits<br/> 1111: MIC3R is not connected to the left ADC PGA</p> |

**Table 24. Page 0 / Register 18: MIC3L/R to Right ADC Control Register**

| BIT   | READ/<br>WRITE | RESET<br>VALUE | DESCRIPTION                                                                                                                                                                                                                                                                                                                                                                                                                                                                                                                                                                                                                                                                                                                            |
|-------|----------------|----------------|----------------------------------------------------------------------------------------------------------------------------------------------------------------------------------------------------------------------------------------------------------------------------------------------------------------------------------------------------------------------------------------------------------------------------------------------------------------------------------------------------------------------------------------------------------------------------------------------------------------------------------------------------------------------------------------------------------------------------------------|
| D7-D4 | R/W            | 1111           | <p>MIC3L Input Level Control for Right ADC PGA Mix<br/>Setting the input level control to a gain below automatically connects MIC3L to the right ADC PGA mix</p> <p>0000: Input level control gain = 0.0 dB<br/> 0001: Input level control gain = -1.5 dB<br/> 0010: Input level control gain = -3.0 dB<br/> 0011: Input level control gain = -4.5 dB<br/> 0100: Input level control gain = -6.0 dB<br/> 0101: Input level control gain = -7.5 dB<br/> 0110: Input level control gain = -9.0 dB<br/> 0111: Input level control gain = -10.5 dB<br/> 1000: Input level control gain = -12.0 dB<br/> 1001–1110: Reserved. Do not write these sequences to these register bits<br/> 1111: MIC3L is not connected to the right ADC PGA</p> |
| D3-D0 | R/W            | 1111           | <p>MIC3R Input Level Control for Right ADC PGA Mix<br/>Setting the input level control to a gain below automatically connects MIC3R to the right ADC PGA mix</p> <p>0000: Input level control gain = 0.0 dB<br/> 0001: Input level control gain = -1.5 dB<br/> 0010: Input level control gain = -3.0 dB<br/> 0011: Input level control gain = -4.5 dB<br/> 0100: Input level control gain = -6.0 dB<br/> 0101: Input level control gain = -7.5 dB<br/> 0110: Input level control gain = -9.0 dB<br/> 0111: Input level control gain = -10.5 dB<br/> 1000: Input level control gain = -12.0 dB<br/> 1001–1110: Reserved. Do not write these sequences to these register bits<br/> 1111: MIC3R is not connected to right ADC PGA</p>     |

**Table 25. Page 0 / Register 19: LINE1L to Left ADC Control Register**

| BIT   | READ/<br>WRITE | RESET<br>VALUE | DESCRIPTION                                                                                                                                                                                                                                                                                                                                                                                                                                                                                                                                                                                                                                                                                            |
|-------|----------------|----------------|--------------------------------------------------------------------------------------------------------------------------------------------------------------------------------------------------------------------------------------------------------------------------------------------------------------------------------------------------------------------------------------------------------------------------------------------------------------------------------------------------------------------------------------------------------------------------------------------------------------------------------------------------------------------------------------------------------|
| D7    | R/W            | 0              | LINE1L Single-Ended vs Fully Differential Control<br>If LINE1L is selected to both left and right ADC channels, both connections must use the same configuration (single-ended or fully differential mode).<br>0: LINE1L is configured in single-ended mode<br>1: LINE1L is configured in fully differential mode                                                                                                                                                                                                                                                                                                                                                                                      |
| D6–D3 | R/W            | 1111           | LINE1L Input Level Control for Left ADC PGA Mix<br>Setting the input level control to a gain below automatically connects LINE1L to the left ADC PGA mix<br>0000: Input level control gain = 0.0 dB<br>0001: Input level control gain = –1.5 dB<br>0010: Input level control gain = –3.0 dB<br>0011: Input level control gain = –4.5 dB<br>0100: Input level control gain = –6.0 dB<br>0101: Input level control gain = –7.5 dB<br>0110: Input level control gain = –9.0 dB<br>0111: Input level control gain = –10.5 dB<br>1000: Input level control gain = –12.0 dB<br>1001–1110: Reserved. Do not write these sequences to these register bits<br>1111: LINE1L is not connected to the left ADC PGA |
| D2    | R/W            | 0              | Left ADC Channel Power Control<br>0: Left ADC channel is powered down<br>1: Left ADC channel is powered up                                                                                                                                                                                                                                                                                                                                                                                                                                                                                                                                                                                             |
| D1–D0 | R/W            | 00             | Left ADC PGA Soft-Stepping Control<br>00: Left ADC PGA soft-stepping at once per Fs<br>01: Left ADC PGA soft-stepping at once per two Fs<br>10–11: Left ADC PGA soft-stepping is disabled                                                                                                                                                                                                                                                                                                                                                                                                                                                                                                              |

**Table 26. Page 0 / Register 20: LINE2L to Left ADC Control Register<sup>(1)</sup>**

| BIT   | READ/<br>WRITE | RESET<br>VALUE | DESCRIPTION                                                                                                                                                                                                                                                                                                                                                                                                                                                                  |
|-------|----------------|----------------|------------------------------------------------------------------------------------------------------------------------------------------------------------------------------------------------------------------------------------------------------------------------------------------------------------------------------------------------------------------------------------------------------------------------------------------------------------------------------|
| D7    | R/W            | 0              | LINE2L Single-Ended vs Fully Differential Control<br>If LINE2L is selected to both left and right ADC channels, both connections must use the same configuration (single-ended or fully differential mode).<br>0: LINE2L is configured in single-ended mode<br>1: LINE2L is configured in fully differential mode                                                                                                                                                            |
| D6–D3 | R/W            | 1111           | LINE2L Input Level Control for Left ADC PGA Mix<br>0000: Input level control gain = 0.0 dB<br>0001-0011: Reserved. Do not write these sequences to these register bits<br>0100: Input level control gain = –6.0 dB<br>0101-0111: Reserved. Do not write these sequences to these register bits<br>1000: Input level control gain = –12.0 dB<br>1001-1110: Reserved. Do not write these sequences to these register bits<br>1111: LINE2L is not connected to the left ADC PGA |
| D2    | R/W            | 0              | Left ADC Channel Weak Common-Mode Bias Control<br>0: Left ADC channel unselected inputs are not biased weakly to the ADC common-mode voltage<br>1: Left ADC channel unselected inputs are biased weakly to the ADC common-mode voltage                                                                                                                                                                                                                                       |
| D1–D0 | R              | 00             | Reserved. Write only zeros to these register bits                                                                                                                                                                                                                                                                                                                                                                                                                            |

(1) LINE1R SEvsFD control is available for both left and right channels. However this setting must be same for both the channels.

**Table 27. Page 0 / Register 21: LINE1R to Left ADC Control Register**

| BIT   | READ/<br>WRITE | RESET<br>VALUE | DESCRIPTION                                                                                                                                                                                                                                                                                                                                                                                                                                                                                                                                                                                                                                                                                            |
|-------|----------------|----------------|--------------------------------------------------------------------------------------------------------------------------------------------------------------------------------------------------------------------------------------------------------------------------------------------------------------------------------------------------------------------------------------------------------------------------------------------------------------------------------------------------------------------------------------------------------------------------------------------------------------------------------------------------------------------------------------------------------|
| D7    | R/W            | 0              | LINE1R Single-Ended vs Fully Differential Control<br>If LINE1R is selected to both left and right ADC channels, both connections must use the same configuration (single-ended or fully differential mode).<br>0: LINE1R is configured in single-ended mode<br>1: LINE1R is configured in fully differential mode                                                                                                                                                                                                                                                                                                                                                                                      |
| D6–D3 | R/W            | 1111           | LINE1R Input Level Control for Left ADC PGA Mix<br>Setting the input level control to a gain below automatically connects LINE1R to the left ADC PGA mix<br>0000: Input level control gain = 0.0 dB<br>0001: Input level control gain = –1.5 dB<br>0010: Input level control gain = –3.0 dB<br>0011: Input level control gain = –4.5 dB<br>0100: Input level control gain = –6.0 dB<br>0101: Input level control gain = –7.5 dB<br>0110: Input level control gain = –9.0 dB<br>0111: Input level control gain = –10.5 dB<br>1000: Input level control gain = –12.0 dB<br>1001–1110: Reserved. Do not write these sequences to these register bits<br>1111: LINE1R is not connected to the left ADC PGA |
| D2–D0 | R              | 000            | Reserved. Write only zeros to these register bits.                                                                                                                                                                                                                                                                                                                                                                                                                                                                                                                                                                                                                                                     |

**Table 28. Page 0 / Register 22: LINE1R to Right ADC Control Register**

| BIT   | READ/<br>WRITE | RESET<br>VALUE | DESCRIPTION                                                                                                                                                                                                                                                                                                                                                                                                                                                                                                                                                                                                                                                                                               |
|-------|----------------|----------------|-----------------------------------------------------------------------------------------------------------------------------------------------------------------------------------------------------------------------------------------------------------------------------------------------------------------------------------------------------------------------------------------------------------------------------------------------------------------------------------------------------------------------------------------------------------------------------------------------------------------------------------------------------------------------------------------------------------|
| D7    | R/W            | 0              | LINE1R Single-Ended vs Fully Differential Control<br>If LINE1R is selected to both left and right ADC channels, both connections must use the same configuration (single-ended or fully differential mode).<br>0: LINE1R is configured in single-ended mode<br>1: LINE1R is configured in fully differential mode                                                                                                                                                                                                                                                                                                                                                                                         |
| D6–D3 | R/W            | 1111           | LINE1R Input Level Control for Right ADC PGA Mix<br>Setting the input level control to a gain below automatically connects LINE1R to the right ADC PGA mix<br>0000: Input level control gain = 0.0 dB<br>0001: Input level control gain = –1.5 dB<br>0010: Input level control gain = –3.0 dB<br>0011: Input level control gain = –4.5 dB<br>0100: Input level control gain = –6.0 dB<br>0101: Input level control gain = –7.5 dB<br>0110: Input level control gain = –9.0 dB<br>0111: Input level control gain = –10.5 dB<br>1000: Input level control gain = –12.0 dB<br>1001–1110: Reserved. Do not write these sequences to these register bits<br>1111: LINE1R is not connected to the right ADC PGA |
| D2    | R/W            | 0              | Right ADC Channel Power Control<br>0: Right ADC channel is powered down<br>1: Right ADC channel is powered up                                                                                                                                                                                                                                                                                                                                                                                                                                                                                                                                                                                             |
| D1–D0 | R/W            | 00             | Right ADC PGA Soft-Stepping Control<br>00: Right ADC PGA soft-stepping at once per Fs<br>01: Right ADC PGA soft-stepping at once per two Fs<br>10–11: Right ADC PGA soft-stepping is disabled                                                                                                                                                                                                                                                                                                                                                                                                                                                                                                             |

**Table 29. Page 0 / Register 23: LINE2R to Right ADC Control Register**

| BIT   | READ/<br>WRITE | RESET<br>VALUE | DESCRIPTION                                                                                                                                                                                                                                                                                                                                                                                                                                                                    |
|-------|----------------|----------------|--------------------------------------------------------------------------------------------------------------------------------------------------------------------------------------------------------------------------------------------------------------------------------------------------------------------------------------------------------------------------------------------------------------------------------------------------------------------------------|
| D7    | R/W            | 0              | LINE2R Single-Ended vs Fully Differential Control<br>If LINE2R is selected to both left and right ADC channels, both connections must use the same configuration (single-ended or fully differential mode).<br>0: LINE2R is configured in single-ended mode<br>1: LINE2R is configured in fully differential mode                                                                                                                                                              |
| D6–D3 | R/W            | 1111           | LINE2R Input Level Control for Right ADC PGA Mix<br>0000: Input level control gain = 0.0 dB<br>0001-0011: Reserved. Do not write these sequences to these register bits<br>0100: Input level control gain = –6.0 dB<br>0101-0111: Reserved. Do not write these sequences to these register bits<br>1000: Input level control gain = –12.0 dB<br>1001-1110: Reserved. Do not write these sequences to these register bits<br>1111: LINE2R is not connected to the right ADC PGA |
| D2    | R/W            | 0              | Right ADC Channel Weak Common-Mode Bias Control<br>0: Right ADC channel unselected inputs are not biased weakly to the ADC common-mode voltage<br>1: Right ADC channel unselected inputs are biased weakly to the ADC common- mode voltage                                                                                                                                                                                                                                     |
| D1–D0 | R              | 00             | Reserved. Write only zeros to these register bits                                                                                                                                                                                                                                                                                                                                                                                                                              |

**Table 30. Page 0 / Register 24: LINE1L to Right ADC Control Register**

| BIT   | READ/<br>WRITE | RESET<br>VALUE | DESCRIPTION                                                                                                                                                                                                                                                                                                                                                                                                                                                                                                                                                                                                                                                                                               |
|-------|----------------|----------------|-----------------------------------------------------------------------------------------------------------------------------------------------------------------------------------------------------------------------------------------------------------------------------------------------------------------------------------------------------------------------------------------------------------------------------------------------------------------------------------------------------------------------------------------------------------------------------------------------------------------------------------------------------------------------------------------------------------|
| D7    | R/W            | 0              | LINE1L Single-Ended vs Fully Differential Control<br>If LINE1L is selected to both left and right ADC channels, both connections must use the same configuration (single-ended or fully differential mode).<br>0: LINE1L is configured in single-ended mode<br>1: LINE1L is configured in fully differential mode                                                                                                                                                                                                                                                                                                                                                                                         |
| D6–D3 | R/W            | 1111           | LINE1L Input Level Control for Right ADC PGA Mix<br>Setting the input level control to a gain below automatically connects LINE1L to the right ADC PGA mix<br>0000: Input level control gain = 0.0 dB<br>0001: Input level control gain = –1.5 dB<br>0010: Input level control gain = –3.0 dB<br>0011: Input level control gain = –4.5 dB<br>0100: Input level control gain = –6.0 dB<br>0101: Input level control gain = –7.5 dB<br>0110: Input level control gain = –9.0 dB<br>0111: Input level control gain = –10.5 dB<br>1000: Input level control gain = –12.0 dB<br>1001–1110: Reserved. Do not write these sequences to these register bits<br>1111: LINE1L is not connected to the right ADC PGA |
| D2–D0 | R              | 000            | Reserved. Write only zeros to these register bits.                                                                                                                                                                                                                                                                                                                                                                                                                                                                                                                                                                                                                                                        |

**Table 31. Page 0 / Register 25: MICBIAS Control Register**

| BIT   | READ/<br>WRITE | RESET<br>VALUE | DESCRIPTION                                                                                                                                                                              |
|-------|----------------|----------------|------------------------------------------------------------------------------------------------------------------------------------------------------------------------------------------|
| D7–D6 | R/W            | 00             | MICBIAS Level Control<br>00: MICBIAS output is powered down<br>01: MICBIAS output is powered to 2.0V<br>10: MICBIAS output is powered to 2.5V<br>11: MICBIAS output is connected to AVDD |
| D5–D0 | R/W            | 000000         | Reserved. Write only zeros to these register bits.                                                                                                                                       |

**Table 32. Page 0 / Register 26: Left AGC Control Register A**

| BIT   | READ/<br>WRITE | RESET<br>VALUE | DESCRIPTION                                                                                                                                                                                                                                                                                                                                   |
|-------|----------------|----------------|-----------------------------------------------------------------------------------------------------------------------------------------------------------------------------------------------------------------------------------------------------------------------------------------------------------------------------------------------|
| D7    | R/W            | 0              | Left AGC Enable<br>0: Left AGC is disabled<br>1: Left AGC is enabled                                                                                                                                                                                                                                                                          |
| D6–D4 | R/W            | 000            | Left AGC Target Level<br>000: Left AGC target level = –5.5 dB<br>001: Left AGC target level = –8 dB<br>010: Left AGC target level = –10 dB<br>011: Left AGC target level = –12 dB<br>100: Left AGC target level = –14 dB<br>101: Left AGC target level = –17 dB<br>110: Left AGC target level = –20 dB<br>111: Left AGC target level = –24 dB |
| D3–D2 | R/W            | 00             | Left AGC Attack Time<br>These time constants <sup>(1)</sup> will not be accurate when double rate audio mode is enabled.<br>00: Left AGC attack time = 8-msec<br>01: Left AGC attack time = 11-msec<br>10: Left AGC attack time = 16-msec<br>11: Left AGC attack time = 20-msec                                                               |
| D1–D0 | R/W            | 00             | Left AGC Decay Time<br>These time constants <sup>(1)</sup> will not be accurate when double rate audio mode is enabled.<br>00: Left AGC decay time = 100-msec<br>01: Left AGC decay time = 200-msec<br>10: Left AGC decay time = 400-msec<br>11: Left AGC decay time = 500-msec                                                               |

(1) Time constants are valid when DRA is not enabled. The values would change if DRA is enabled.

**Table 33. Page 0 / Register 27: Left AGC Control Register B**

| BIT   | READ/<br>WRITE | RESET<br>VALUE | DESCRIPTION                                                                                                                                                                                                              |
|-------|----------------|----------------|--------------------------------------------------------------------------------------------------------------------------------------------------------------------------------------------------------------------------|
| D7–D1 | R/W            | 1111111        | Left AGC Maximum Gain Allowed<br>0000000: Maximum gain = 0.0 dB<br>0000001: Maximum gain = 0.5 dB<br>0000010: Maximum gain = 1.0 dB<br>...<br>1110110: Maximum gain = 59.0 dB<br>1110111–1111111: Maximum gain = 59.5 dB |
| D0    | R/W            | 0              | Reserved. Write only zero to this register bit.                                                                                                                                                                          |

**Table 34. Page 0 / Register 28: Left AGC Control Register C**

| BIT   | READ/<br>WRITE | RESET<br>VALUE | DESCRIPTION                                                                                                                                                                                                                                                                                                                                                         |
|-------|----------------|----------------|---------------------------------------------------------------------------------------------------------------------------------------------------------------------------------------------------------------------------------------------------------------------------------------------------------------------------------------------------------------------|
| D7–D6 | R/W            | 00             | Noise Gate Hysteresis Level Control<br>00: Hysteresis = 1 dB<br>01: Hysteresis = 2 dB<br>10: Hysteresis = 4 dB<br>11: Hysteresis is disabled                                                                                                                                                                                                                        |
| D5–D1 | R/W            | 00000          | Left AGC Noise Threshold Control<br>00000: Left AGC Noise/Silence Detection disabled<br>00001: Left AGC noise threshold = –30 dB<br>00010: Left AGC noise threshold = –32 dB<br>00011: Left AGC noise threshold = –34 dB<br>...<br>11101: Left AGC noise threshold = –86 dB<br>11110: Left AGC noise threshold = –88 dB<br>11111: Left AGC noise threshold = –90 dB |
| D0    | R/W            | 0              | Left AGC Clip Stepping Control<br>0: Left AGC clip stepping disabled<br>1: Left AGC clip stepping enabled                                                                                                                                                                                                                                                           |

**Table 35. Page 0 / Register 29: Right AGC Control Register A**

| BIT   | READ/<br>WRITE | RESET<br>VALUE | DESCRIPTION                                                                                                                                                                                                                                                                                                                                            |
|-------|----------------|----------------|--------------------------------------------------------------------------------------------------------------------------------------------------------------------------------------------------------------------------------------------------------------------------------------------------------------------------------------------------------|
| D7    | R/W            | 0              | Right AGC Enable<br>0: Right AGC is disabled<br>1: Right AGC is enabled                                                                                                                                                                                                                                                                                |
| D6-D4 | R/W            | 000            | Right AGC Target Level<br>000: Right AGC target level = -5.5 dB<br>001: Right AGC target level = -8 dB<br>010: Right AGC target level = -10 dB<br>011: Right AGC target level = -12 dB<br>100: Right AGC target level = -14 dB<br>101: Right AGC target level = -17 dB<br>110: Right AGC target level = -20 dB<br>111: Right AGC target level = -24 dB |
| D3-D2 | R/W            | 00             | Right AGC Attack Time<br>These time constants will not be accurate when double rate audio mode is enabled.<br>00: Right AGC attack time = 8-msec<br>01: Right AGC attack time = 11-msec<br>10: Right AGC attack time = 16-msec<br>11: Right AGC attack time = 20-msec                                                                                  |
| D1-D0 | R/W            | 00             | Right AGC Decay Time<br>These time constants will not be accurate when double rate audio mode is enabled.<br>00: Right AGC decay time = 100-msec<br>01: Right AGC decay time = 200-msec<br>10: Right AGC decay time = 400-msec<br>11: Right AGC decay time = 500-msec                                                                                  |

**Table 36. Page 0 / Register 30: Right AGC Control Register B**

| BIT   | READ/<br>WRITE | RESET<br>VALUE | DESCRIPTION                                                                                                                                                                                                               |
|-------|----------------|----------------|---------------------------------------------------------------------------------------------------------------------------------------------------------------------------------------------------------------------------|
| D7-D1 | R/W            | 1111111        | Right AGC Maximum Gain Allowed<br>0000000: Maximum gain = 0.0 dB<br>0000001: Maximum gain = 0.5 dB<br>0000010: Maximum gain = 1.0 dB<br>...<br>1110110: Maximum gain = 59.0 dB<br>1110111-1111111: Maximum gain = 59.5 dB |
| D0    | R/W            | 0              | Reserved. Write only zero to this register bit.                                                                                                                                                                           |

**Table 37. Page 0 / Register 31: Right AGC Control Register C**

| BIT   | READ/<br>WRITE | RESET<br>VALUE | DESCRIPTION                                                                                                                                                                                                                                                                                                                                                                 |
|-------|----------------|----------------|-----------------------------------------------------------------------------------------------------------------------------------------------------------------------------------------------------------------------------------------------------------------------------------------------------------------------------------------------------------------------------|
| D7-D6 | R/W            | 00             | Noise Gate Hysteresis Level Control<br>00: Hysteresis = 1 dB<br>01: Hysteresis = 2 dB<br>10: Hysteresis = 4 dB<br>11: Hysteresis is disabled                                                                                                                                                                                                                                |
| D5-D1 | R/W            | 00000          | Right AGC Noise Threshold Control<br>00000: Right AGC Noise/Silence Detection disabled<br>00001: Right AGC noise threshold = -30 dB<br>00010: Right AGC noise threshold = -32 dB<br>00011: Right AGC noise threshold = -34 dB<br>...<br>11101: Right AGC noise threshold = -86 dB<br>11110: Right AGC noise threshold = -88 dB<br>11111: Right AGC noise threshold = -90 dB |
| D0    | R/W            | 0              | Right AGC Clip Stepping Control<br>0: Right AGC clip stepping disabled<br>1: Right AGC clip stepping enabled                                                                                                                                                                                                                                                                |

**Table 38. Page 0 / Register 32: Left AGC Gain Register**

| BIT   | READ/<br>WRITE | RESET<br>VALUE | DESCRIPTION                                                                                                                                                                                                                                                      |
|-------|----------------|----------------|------------------------------------------------------------------------------------------------------------------------------------------------------------------------------------------------------------------------------------------------------------------|
| D7–D0 | R              | 00000000       | Left Channel Gain Applied by AGC Algorithm<br>11101000: Gain = –12.0 dB<br>11101001: Gain = –11.5 dB<br>11101010: Gain = –11.0 dB<br>...<br>00000000: Gain = 0.0 dB<br>00000001: Gain = +0.5 dB<br>...<br>01110110: Gain = +59.0 dB<br>01110111: Gain = +59.5 dB |

**Table 39. Page 0 / Register 33: Right AGC Gain Register**

| BIT   | READ/<br>WRITE | RESET<br>VALUE | DESCRIPTION                                                                                                                                                                                                                                                       |
|-------|----------------|----------------|-------------------------------------------------------------------------------------------------------------------------------------------------------------------------------------------------------------------------------------------------------------------|
| D7–D0 | R              | 00000000       | Right Channel Gain Applied by AGC Algorithm<br>11101000: Gain = –12.0 dB<br>11101001: Gain = –11.5 dB<br>11101010: Gain = –11.0 dB<br>...<br>00000000: Gain = 0.0 dB<br>00000001: Gain = +0.5 dB<br>...<br>01110110: Gain = +59.0 dB<br>01110111: Gain = +59.5 dB |

**Table 40. Page 0 / Register 34: Left AGC Noise Gate Debounce Register**

| BIT   | READ/<br>WRITE | RESET<br>VALUE | DESCRIPTION                                                                                                                                                                                                                                                                                                                                                                                                                                                                                                                                                  |
|-------|----------------|----------------|--------------------------------------------------------------------------------------------------------------------------------------------------------------------------------------------------------------------------------------------------------------------------------------------------------------------------------------------------------------------------------------------------------------------------------------------------------------------------------------------------------------------------------------------------------------|
| D7–D3 | R/W            | 00000          | Left AGC Noise Detection Debounce Control<br>These times <sup>(1)</sup> will not be accurate when double rate audio mode is enabled.<br>00000: Debounce = 0-msec<br>00001: Debounce = 0.5-msec<br>00010: Debounce = 1-msec<br>00011: Debounce = 2-msec<br>00100: Debounce = 4-msec<br>00101: Debounce = 8-msec<br>00110: Debounce = 16-msec<br>00111: Debounce = 32-msec<br>01000: Debounce = 64×1 = 64ms<br>01001: Debounce = 64×2 = 128ms<br>01010: Debounce = 64×3 = 192ms<br>...<br>11110: Debounce = 64×23 = 1472ms<br>11111: Debounce = 64×24 = 1536ms |
| D2–D0 | R/W            | 000            | Left AGC Signal Detection Debounce Control<br>These times <sup>(1)</sup> will not be accurate when double rate audio mode is enabled.<br>000: Debounce = 0-msec<br>001: Debounce = 0.5-msec<br>010: Debounce = 1-msec<br>011: Debounce = 2-msec<br>100: Debounce = 4-msec<br>101: Debounce = 8-msec<br>110: Debounce = 16-msec<br>111: Debounce = 32-msec                                                                                                                                                                                                    |

(1) Time constants are valid when DRA is not enabled. The values would change when DRA is enabled

**Table 41. Page 0 / Register 35: Right AGC Noise Gate Debounce Register**

| BIT   | READ/<br>WRITE | RESET<br>VALUE | DESCRIPTION                                                                                                                                                                                                                                                                                                                                                                                                                                                                                                                                                   |
|-------|----------------|----------------|---------------------------------------------------------------------------------------------------------------------------------------------------------------------------------------------------------------------------------------------------------------------------------------------------------------------------------------------------------------------------------------------------------------------------------------------------------------------------------------------------------------------------------------------------------------|
| D7–D3 | R/W            | 00000          | Right AGC Noise Detection Debounce Control<br>These times <sup>(1)</sup> will not be accurate when double rate audio mode is enabled.<br>00000: Debounce = 0-msec<br>00001: Debounce = 0.5-msec<br>00010: Debounce = 1-msec<br>00011: Debounce = 2-msec<br>00100: Debounce = 4-msec<br>00101: Debounce = 8-msec<br>00110: Debounce = 16-msec<br>00111: Debounce = 32-msec<br>01000: Debounce = 64×1 = 64ms<br>01001: Debounce = 64×2 = 128ms<br>01010: Debounce = 64×3 = 192ms<br>...<br>11110: Debounce = 64×23 = 1472ms<br>11111: Debounce = 64×24 = 1536ms |
| D2–D0 | R/W            | 000            | Right AGC Signal Detection Debounce Control<br>These times <sup>(1)</sup> will not be accurate when double rate audio mode is enabled.<br>000: Debounce = 0-msec<br>001: Debounce = 0.5-msec<br>010: Debounce = 1-msec<br>011: Debounce = 2-msec<br>100: Debounce = 4-msec<br>101: Debounce = 8-msec<br>110: Debounce = 16-msec<br>111: Debounce = 32-msec                                                                                                                                                                                                    |

(1) Time constants are valid when DRA is not enabled. The values would change when DRA is enabled.

**Table 42. Page 0 / Register 36: ADC Flag Register**

| BIT | READ/<br>WRITE | RESET<br>VALUE | DESCRIPTION                                                                                                                          |
|-----|----------------|----------------|--------------------------------------------------------------------------------------------------------------------------------------|
| D7  | R              | 0              | Left ADC PGA Status<br>0: Applied gain and programmed gain are not the same<br>1: Applied gain = programmed gain                     |
| D6  | R              | 0              | Left ADC Power Status<br>0: Left ADC is in a power down state<br>1: Left ADC is in a power up state                                  |
| D5  | R              | 0              | Left AGC Signal Detection Status<br>0: Signal power is greater than noise threshold<br>1: Signal power is less than noise threshold  |
| D4  | R              | 0              | Left AGC Saturation Flag<br>0: Left AGC is not saturated<br>1: Left AGC gain applied = maximum allowed gain for left AGC             |
| D3  | R              | 0              | Right ADC PGA Status<br>0: Applied gain and programmed gain are not the same<br>1: Applied gain = programmed gain                    |
| D2  | R              | 0              | Right ADC Power Status<br>0: Right ADC is in a power down state<br>1: Right ADC is in a power up state                               |
| D1  | R              | 0              | Right AGC Signal Detection Status<br>0: Signal power is greater than noise threshold<br>1: Signal power is less than noise threshold |
| D0  | R              | 0              | Right AGC Saturation Flag<br>0: Right AGC is not saturated<br>1: Right AGC gain applied = maximum allowed gain for right AGC         |

**Table 43. Page 0 / Register 37: DAC Power and Output Driver Control Register**

| BIT   | READ/<br>WRITE | RESET<br>VALUE | DESCRIPTION                                                                                                                                                                                                                                                               |
|-------|----------------|----------------|---------------------------------------------------------------------------------------------------------------------------------------------------------------------------------------------------------------------------------------------------------------------------|
| D7    | R/W            | 0              | Left DAC Power Control<br>0: Left DAC not powered up<br>1: Left DAC is powered up                                                                                                                                                                                         |
| D6    | R/W            | 0              | Right DAC Power Control<br>0: Right DAC not powered up<br>1: Right DAC is powered up                                                                                                                                                                                      |
| D5–D4 | R/W            | 00             | HPCOM Output Driver Configuration Control<br>00: HPCOM configured as differential of HPLOUT<br>01: HPCOM configured as constant VCM output<br>10: HPCOM configured as independent single-ended output<br>11: Reserved. Do not write this sequence to these register bits. |
| D3–D0 | R              | 0000           | Reserved. Write only zeros to these register bits.                                                                                                                                                                                                                        |

**Table 44. Page 0 / Register 38: High Power Output Driver Control Register**

| BIT   | READ/<br>WRITE | RESET<br>VALUE | DESCRIPTION                                                                                                                                                                                                                                           |
|-------|----------------|----------------|-------------------------------------------------------------------------------------------------------------------------------------------------------------------------------------------------------------------------------------------------------|
| D7–D3 | R              | 00             | Reserved. Write only zeros to these register bits.                                                                                                                                                                                                    |
| D2    | R/W            | 0              | Short Circuit Protection Control<br>0: Short circuit protection on all high power output drivers is disabled<br>1: Short circuit protection on all high power output drivers is enabled                                                               |
| D1    | R/W            | 0              | Short Circuit Protection Mode Control<br>0: If short circuit protection enabled, it will limit the maximum current to the load<br>1: If short circuit protection enabled, it will power down the output driver automatically when a short is detected |
| D0    | R              | 0              | Reserved. Write only zero to this register bit.                                                                                                                                                                                                       |

**Table 45. Page 0 / Register 39: Reserved Register**

| BIT   | READ/<br>WRITE | RESET<br>VALUE | DESCRIPTION                              |
|-------|----------------|----------------|------------------------------------------|
| D7–D0 | R              | 00000000       | Reserved. Do not write to this register. |

**Table 46. Page 0 / Register 40: High Power Output Stage Control Register**

| BIT   | READ/<br>WRITE | RESET<br>VALUE | DESCRIPTION                                                                                                                                                                                                                               |
|-------|----------------|----------------|-------------------------------------------------------------------------------------------------------------------------------------------------------------------------------------------------------------------------------------------|
| D7–D6 | R/W            | 00             | Output Common-Mode Voltage Control<br>00: Output common-mode voltage = 1.35V<br>01: Output common-mode voltage = 1.5V<br>10: Output common-mode voltage = 1.65V<br>11: Output common-mode voltage = 1.8V                                  |
| D5–D4 | R/W            | 00             | LINE2L Bypass Path Control<br>00: LINE2L bypass is disabled<br>01: LINE2L bypass uses LINE2LP single-ended<br>10: LINE2L bypass uses LINE2LM single-ended<br>11: LINE2L bypass uses LINE2LP/M differentially                              |
| D3–D2 | R/W            | 00             | LINE2R Bypass Path Control<br>00: LINE2R bypass is disabled<br>01: LINE2R bypass uses LINE2RP single-ended<br>10: LINE2R bypass uses LINE2RM single-ended<br>11: LINE2R bypass uses LINE2RP/M differentially                              |
| D1–D0 | R/W            | 00             | Output Volume Control Soft-Stepping<br>00: Output soft-stepping = one step per Fs<br>01: Output soft-stepping = one step per 2Fs<br>10: Output soft-stepping disabled<br>11: Reserved. Do not write this sequence to these register bits. |

**Table 47. Page 0 / Register 41: DAC Output Switching Control Register**

| BIT   | READ/<br>WRITE | RESET<br>VALUE | DESCRIPTION                                                                                                                                                                                                                                                                                                                       |
|-------|----------------|----------------|-----------------------------------------------------------------------------------------------------------------------------------------------------------------------------------------------------------------------------------------------------------------------------------------------------------------------------------|
| D7–D6 | R/W            | 00             | Left DAC Output Switching Control<br>00: Left DAC output selects DAC_L1 path<br>01: Left DAC output selects DAC_L3 path to left line output driver<br>10: Left DAC output selects DAC_L2 path to left high power output drivers<br>11: Reserved. Do not write this sequence to these register bits.                               |
| D5–D4 | R/W            | 00             | Right DAC Output Switching Control<br>00: Right DAC output selects DAC_R1 path<br>01: Right DAC output selects DAC_R3 path to right line output driver<br>10: Right DAC output selects DAC_R2 path to right high power output drivers<br>11: Reserved. Do not write this sequence to these register bits.                         |
| D3–D2 | R/W            | 00             | Reserved. Write only zeros to these bits.                                                                                                                                                                                                                                                                                         |
| D1–D0 | R/W            | 00             | DAC Digital Volume Control Functionality<br>00: Left and right DAC channels have independent volume controls<br>01: Left DAC volume follows the right channel control register<br>10: Right DAC volume follows the left channel control register<br>11: Left and right DAC channels have independent volume controls (same as 00) |

**Table 48. Page 0 / Register 42: Output Driver Pop Reduction Register**

| BIT   | READ/<br>WRITE | RESET<br>VALUE | DESCRIPTION                                                                                                                                                                                                                                                                                                                                                           |
|-------|----------------|----------------|-----------------------------------------------------------------------------------------------------------------------------------------------------------------------------------------------------------------------------------------------------------------------------------------------------------------------------------------------------------------------|
| D7-D5 | R/W            | 000            | Output Driver Power-On Delay Control<br>000: Driver power-on time = 0- $\mu$ sec<br>001: Driver power-on time = 100- $\mu$ sec<br>010: Driver power-on time = 10-msec<br>011: Driver power-on time = 100-msec<br>100: Driver power-on time = 400-msec<br>101: Driver power-on time = 2-sec<br>110–111: Reserved. Do not write these sequences to these register bits. |
| D4    | R/W            | 0              | Reserved. Write only zero to this register bit.                                                                                                                                                                                                                                                                                                                       |
| D3-D2 | R/W            | 00             | Driver Ramp-up Step Timing Control<br>00: Driver ramp-up step time = 0-msec<br>01: Driver ramp-up step time = 1-msec<br>10: Driver ramp-up step time = 2-msec<br>11: Driver ramp-up step time = 4-msec                                                                                                                                                                |
| D1    | R/W            | 0              | Weak Output Common-mode Voltage Control<br>0: Weakly driven output common-mode voltage is generated from resistor divider off the AVDD supply<br>1: Weakly driven output common-mode voltage is generated from bandgap reference                                                                                                                                      |
| D0    | R/W            | 0              | Reserved. Write only zero to this register bit.                                                                                                                                                                                                                                                                                                                       |

**Table 49. Page 0 / Register 43: Left DAC Digital Volume Control Register**

| BIT   | READ/<br>WRITE | RESET<br>VALUE | DESCRIPTION                                                                                                                                                                                                        |
|-------|----------------|----------------|--------------------------------------------------------------------------------------------------------------------------------------------------------------------------------------------------------------------|
| D7    | R/W            | 1              | Left DAC Digital Mute<br>0: The left DAC channel is not muted<br>1: The left DAC channel is muted                                                                                                                  |
| D6–D0 | R/W            | 0000000        | Left DAC Digital Volume Control Setting<br>0000000: Gain = 0.0 dB<br>0000001: Gain = –0.5 dB<br>0000010: Gain = –1.0 dB<br>...<br>1111101: Gain = –62.5 dB<br>1111110: Gain = –63.0 dB<br>1111111: Gain = –63.5 dB |

**Table 50. Page 0 / Register 44: Right DAC Digital Volume Control Register**

| BIT   | READ/<br>WRITE | RESET<br>VALUE | DESCRIPTION                                                                                                                                                                                                         |
|-------|----------------|----------------|---------------------------------------------------------------------------------------------------------------------------------------------------------------------------------------------------------------------|
| D7    | R/W            | 1              | Right DAC Digital Mute<br>0: The right DAC channel is not muted<br>1: The right DAC channel is muted                                                                                                                |
| D6–D0 | R/W            | 0000000        | Right DAC Digital Volume Control Setting<br>0000000: Gain = 0.0 dB<br>0000001: Gain = –0.5 dB<br>0000010: Gain = –1.0 dB<br>...<br>1111101: Gain = –62.5 dB<br>1111110: Gain = –63.0 dB<br>1111111: Gain = –63.5 dB |

### 10.6.2 Output Stage Volume Controls

A basic analog volume control with range from 0 dB to -78 dB and mute is replicated multiple times in the output stage network, connected to each of the analog signals that route to the output stage. In addition, to enable completely independent mixing operations to be performed for each output driver, each analog signal coming into the output stage may have up to seven separate volume controls. These volume controls all have approximately 0.5 dB step programmability over most of the gain range, with steps increasing slightly at the lowest attenuations. [Table 51](#) lists the detailed gain versus programmed setting for this basic volume control.

**Table 51. Output Stage Volume Control Settings and Gains**

| Gain Setting | Analog Gain<br>(dB) | Gain Setting | Analog Gain<br>(dB) | Gain Setting | Analog Gain<br>(dB) | Gain Setting | Analog Gain<br>(dB) |
|--------------|---------------------|--------------|---------------------|--------------|---------------------|--------------|---------------------|
| 0            | 0.0                 | 30           | -15.0               | 60           | -30.1               | 90           | -45.2               |
| 1            | -0.5                | 31           | -15.5               | 61           | -30.6               | 91           | -45.8               |
| 2            | -1.0                | 32           | -16.0               | 62           | -31.1               | 92           | -46.2               |
| 3            | -1.5                | 33           | -16.5               | 63           | -31.6               | 93           | -46.7               |
| 4            | -2.0                | 34           | -17.0               | 64           | -32.1               | 94           | -47.4               |
| 5            | -2.5                | 35           | -17.5               | 65           | -32.6               | 95           | -47.9               |
| 6            | -3.0                | 36           | -18.0               | 66           | -33.1               | 96           | -48.2               |
| 7            | -3.5                | 37           | -18.6               | 67           | -33.6               | 97           | -48.7               |
| 8            | -4.0                | 38           | -19.1               | 68           | -34.1               | 98           | -49.3               |
| 9            | -4.5                | 39           | -19.6               | 69           | -34.6               | 99           | -50.0               |
| 10           | -5.0                | 40           | -20.1               | 70           | -35.1               | 100          | -50.3               |
| 11           | -5.5                | 41           | -20.6               | 71           | -35.7               | 101          | -51.0               |
| 12           | -6.0                | 42           | -21.1               | 72           | -36.1               | 102          | -51.4               |
| 13           | -6.5                | 43           | -21.6               | 73           | -36.7               | 103          | -51.8               |
| 14           | -7.0                | 44           | -22.1               | 74           | -37.1               | 104          | -52.2               |
| 15           | -7.5                | 45           | -22.6               | 75           | -37.7               | 105          | -52.7               |
| 16           | -8.0                | 46           | -23.1               | 76           | -38.2               | 106          | -53.7               |
| 17           | -8.5                | 47           | -23.6               | 77           | -38.7               | 107          | -54.2               |
| 18           | -9.0                | 48           | -24.1               | 78           | -39.2               | 108          | -55.3               |
| 19           | -9.5                | 49           | -24.6               | 79           | -39.7               | 109          | -56.7               |
| 20           | -10.0               | 50           | -25.1               | 80           | -40.2               | 110          | -58.3               |
| 21           | -10.5               | 51           | -25.6               | 81           | -40.7               | 111          | -60.2               |
| 22           | -11.0               | 52           | -26.1               | 82           | -41.2               | 112          | -62.7               |
| 23           | -11.5               | 53           | -26.6               | 83           | -41.7               | 113          | -64.3               |
| 24           | -12.0               | 54           | -27.1               | 84           | -42.2               | 114          | -66.2               |
| 25           | -12.5               | 55           | -27.6               | 85           | -42.7               | 115          | -68.7               |
| 26           | -13.0               | 56           | -28.1               | 86           | -43.2               | 116          | -72.2               |

**Table 51. Output Stage Volume Control Settings and Gains (continued)**

| Gain Setting | Analog Gain (dB) | Gain Setting | Analog Gain (dB) | Gain Setting | Analog Gain (dB) | Gain Setting | Analog Gain (dB) |
|--------------|------------------|--------------|------------------|--------------|------------------|--------------|------------------|
| 27           | -13.5            | 57           | -28.6            | 87           | -43.8            | 117          | -78.3            |
| 28           | -14.0            | 58           | -29.1            | 88           | -44.3            | 118–127      | Mute             |
| 29           | -14.5            | 59           | -29.6            | 89           | -44.8            |              |                  |

**Table 52. Page 0 / Register 45: LINE2L to HPLOUT Volume Control Register**

| BIT   | READ/ WRITE | RESET VALUE | DESCRIPTION                                                                                                                  |
|-------|-------------|-------------|------------------------------------------------------------------------------------------------------------------------------|
| D7    | R/W         | 0           | LINE2L Output Routing Control<br>0: LINE2L is not routed to HPLOUT<br>1: LINE2L is routed to HPLOUT                          |
| D6-D0 | R/W         | 0000000     | LINE2L to HPLOUT Analog Volume Control<br>For 7-bit register setting versus analog gain values, see <a href="#">Table 51</a> |

**Table 53. Page 0 / Register 46: PGA\_L to HPLOUT Volume Control Register**

| BIT   | READ/ WRITE | RESET VALUE | DESCRIPTION                                                                                                                 |
|-------|-------------|-------------|-----------------------------------------------------------------------------------------------------------------------------|
| D7    | R/W         | 0           | PGA_L Output Routing Control<br>0: PGA_L is not routed to HPLOUT<br>1: PGA_L is routed to HPLOUT                            |
| D6-D0 | R/W         | 0000000     | PGA_L to HPLOUT Analog Volume Control<br>For 7-bit register setting versus analog gain values, see <a href="#">Table 51</a> |

**Table 54. Page 0 / Register 47: DAC\_L1 to HPLOUT Volume Control Register**

| BIT   | READ/ WRITE | RESET VALUE | DESCRIPTION                                                                                                                  |
|-------|-------------|-------------|------------------------------------------------------------------------------------------------------------------------------|
| D7    | R/W         | 0           | DAC_L1 Output Routing Control<br>0: DAC_L1 is not routed to HPLOUT<br>1: DAC_L1 is routed to HPLOUT                          |
| D6-D0 | R/W         | 0000000     | DAC_L1 to HPLOUT Analog Volume Control<br>For 7-bit register setting versus analog gain values, see <a href="#">Table 51</a> |

**Table 55. Page 0 / Register 48: LINE2R to HPLOUT Volume Control Register**

| BIT   | READ/ WRITE | RESET VALUE | DESCRIPTION                                                                                                                  |
|-------|-------------|-------------|------------------------------------------------------------------------------------------------------------------------------|
| D7    | R/W         | 0           | LINE2R Output Routing Control<br>0: LINE2R is not routed to HPLOUT<br>1: LINE2R is routed to HPLOUT                          |
| D6-D0 | R/W         | 0000000     | LINE2R to HPLOUT Analog Volume Control<br>For 7-bit register setting versus analog gain values, see <a href="#">Table 51</a> |

**Table 56. Page 0 / Register 49: PGA\_R to HPLOUT Volume Control Register**

| BIT   | READ/ WRITE | RESET VALUE | DESCRIPTION                                                                                                                 |
|-------|-------------|-------------|-----------------------------------------------------------------------------------------------------------------------------|
| D7    | R/W         | 0           | PGA_R Output Routing Control<br>0: PGA_R is not routed to HPLOUT<br>1: PGA_R is routed to HPLOUT                            |
| D6-D0 | R/W         | 0000000     | PGA_R to HPLOUT Analog Volume Control<br>For 7-bit register setting versus analog gain values, see <a href="#">Table 51</a> |

**Table 57. Page 0 / Register 50: DAC\_R1 to HPLOUT Volume Control Register**

| BIT   | READ/<br>WRITE | RESET<br>VALUE | DESCRIPTION                                                                                                                  |
|-------|----------------|----------------|------------------------------------------------------------------------------------------------------------------------------|
| D7    | R/W            | 0              | DAC_R1 Output Routing Control<br>0: DAC_R1 is not routed to HPLOUT<br>1: DAC_R1 is routed to HPLOUT                          |
| D6-D0 | R/W            | 0000000        | DAC_R1 to HPLOUT Analog Volume Control<br>For 7-bit register setting versus analog gain values, see <a href="#">Table 51</a> |

**Table 58. Page 0 / Register 51: HPLOUT Output Level Control Register**

| BIT   | READ/<br>WRITE | RESET<br>VALUE | DESCRIPTION                                                                                                                                                                                                                                                                                              |
|-------|----------------|----------------|----------------------------------------------------------------------------------------------------------------------------------------------------------------------------------------------------------------------------------------------------------------------------------------------------------|
| D7-D4 | R/W            | 0000           | HPLOUT Output Level Control<br>0000: Output level control = 0 dB<br>0001: Output level control = 1 dB<br>0010: Output level control = 2 dB<br>...<br>1000: Output level control = 8 dB<br>1001: Output level control = 9 dB<br>1010–1111: Reserved. Do not write these sequences to these register bits. |
| D3    | R/W            | 0              | HPLOUT Mute<br>0: HPLOUT is muted<br>1: HPLOUT is not muted                                                                                                                                                                                                                                              |
| D2    | R/W            | 1              | HPLOUT Power Down Drive Control<br>0: HPLOUT is weakly driven to a common-mode when powered down<br>1: HPLOUT is 3-stated with powered down                                                                                                                                                              |
| D1    | R              | 1              | HPLOUT Volume Control Status<br>0: All programmed gains to HPLOUT have been applied<br>1: Not all programmed gains to HPLOUT have been applied yet                                                                                                                                                       |
| D0    | R/W            | 0              | HPLOUT Power Control<br>0: HPLOUT is not fully powered up<br>1: HPLOUT is fully powered up                                                                                                                                                                                                               |

**Table 59. Page 0 / Register 52: LINE2L to HPCOM Volume Control Register**

| BIT   | READ/<br>WRITE | RESET<br>VALUE | DESCRIPTION                                                                                                                 |
|-------|----------------|----------------|-----------------------------------------------------------------------------------------------------------------------------|
| D7    | R/W            | 0              | LINE2L Output Routing Control<br>0: LINE2L is not routed to HPCOM<br>1: LINE2L is routed to HPCOM                           |
| D6-D0 | R/W            | 0000000        | LINE2L to HPCOM Analog Volume Control<br>For 7-bit register setting versus analog gain values, see <a href="#">Table 51</a> |

**Table 60. Page 0 / Register 53: PGA\_L to HPCOM Volume Control Register**

| BIT   | READ/<br>WRITE | RESET<br>VALUE | DESCRIPTION                                                                                                                |
|-------|----------------|----------------|----------------------------------------------------------------------------------------------------------------------------|
| D7    | R/W            | 0              | PGA_L Output Routing Control<br>0: PGA_L is not routed to HPCOM<br>1: PGA_L is routed to HPCOM                             |
| D6-D0 | R/W            | 0000000        | PGA_L to HPCOM Analog Volume Control<br>For 7-bit register setting versus analog gain values, see <a href="#">Table 51</a> |

**Table 61. Page 0 / Register 54: DAC\_L1 to HPCOM Volume Control Register**

| BIT   | READ/<br>WRITE | RESET<br>VALUE | DESCRIPTION                                                                                                                 |
|-------|----------------|----------------|-----------------------------------------------------------------------------------------------------------------------------|
| D7    | R/W            | 0              | DAC_L1 Output Routing Control<br>0: DAC_L1 is not routed to HPCOM<br>1: DAC_L1 is routed to HPCOM                           |
| D6-D0 | R/W            | 0000000        | DAC_L1 to HPCOM Analog Volume Control<br>For 7-bit register setting versus analog gain values, see <a href="#">Table 51</a> |

**Table 62. Page 0 / Register 55: LINE2R to HPCOM Volume Control Register**

| BIT   | READ/<br>WRITE | RESET<br>VALUE | DESCRIPTION                                                                                                                 |
|-------|----------------|----------------|-----------------------------------------------------------------------------------------------------------------------------|
| D7    | R/W            | 0              | LINE2R Output Routing Control<br>0: LINE2R is not routed to HPCOM<br>1: LINE2R is routed to HPCOM                           |
| D6-D0 | R/W            | 0000000        | LINE2R to HPCOM Analog Volume Control<br>For 7-bit register setting versus analog gain values, see <a href="#">Table 51</a> |

**Table 63. Page 0 / Register 56: PGA\_R to HPCOM Volume Control Register**

| BIT   | READ/<br>WRITE | RESET<br>VALUE | DESCRIPTION                                                                                                                |
|-------|----------------|----------------|----------------------------------------------------------------------------------------------------------------------------|
| D7    | R/W            | 0              | PGA_R Output Routing Control<br>0: PGA_R is not routed to HPCOM<br>1: PGA_R is routed to HPCOM                             |
| D6-D0 | R/W            | 0000000        | PGA_R to HPCOM Analog Volume Control<br>For 7-bit register setting versus analog gain values, see <a href="#">Table 51</a> |

**Table 64. Page 0 / Register 57: DAC\_R1 to HPCOM Volume Control Register**

| BIT   | READ/<br>WRITE | RESET<br>VALUE | DESCRIPTION                                                                                                                 |
|-------|----------------|----------------|-----------------------------------------------------------------------------------------------------------------------------|
| D7    | R/W            | 0              | DAC_R1 Output Routing Control<br>0: DAC_R1 is not routed to HPCOM<br>1: DAC_R1 is routed to HPCOM                           |
| D6-D0 | R/W            | 0000000        | DAC_R1 to HPCOM Analog Volume Control<br>For 7-bit register setting versus analog gain values, see <a href="#">Table 51</a> |

**Table 65. Page 0 / Register 58: HPCOM Output Level Control Register**

| BIT   | READ/<br>WRITE | RESET<br>VALUE | DESCRIPTION                                                                                                                                                                                                                                                                                             |
|-------|----------------|----------------|---------------------------------------------------------------------------------------------------------------------------------------------------------------------------------------------------------------------------------------------------------------------------------------------------------|
| D7-D4 | R/W            | 0000           | HPCOM Output Level Control<br>0000: Output level control = 0 dB<br>0001: Output level control = 1 dB<br>0010: Output level control = 2 dB<br>...<br>1000: Output level control = 8 dB<br>1001: Output level control = 9 dB<br>1010–1111: Reserved. Do not write these sequences to these register bits. |
| D3    | R/W            | 0              | HPCOM Mute<br>0: HPCOM is muted<br>1: HPCOM is not muted                                                                                                                                                                                                                                                |
| D2    | R/W            | 1              | HPCOM Power Down Drive Control<br>0: HPCOM is weakly driven to a common-mode when powered down<br>1: HPCOM is 3-stated with powered down                                                                                                                                                                |
| D1    | R              | 1              | HPCOM Volume Control Status<br>0: All programmed gains to HPCOM have been applied<br>1: Not all programmed gains to HPCOM have been applied yet                                                                                                                                                         |
| D0    | R/W            | 0              | HPCOM Power Control<br>0: HPCOM is not fully powered up<br>1: HPCOM is fully powered up                                                                                                                                                                                                                 |

**Table 66. Page 0 / Register 59: LINE2L to HPROUT Volume Control Register**

| BIT   | READ/<br>WRITE | RESET<br>VALUE | DESCRIPTION                                                                                                                  |
|-------|----------------|----------------|------------------------------------------------------------------------------------------------------------------------------|
| D7    | R/W            | 0              | LINE2L Output Routing Control<br>0: LINE2L is not routed to HPROUT<br>1: LINE2L is routed to HPROUT                          |
| D6-D0 | R/W            | 0000000        | LINE2L to HPROUT Analog Volume Control<br>For 7-bit register setting versus analog gain values, see <a href="#">Table 51</a> |

**Table 67. Page 0 / Register 60: PGA\_L to HPROUT Volume Control Register**

| BIT   | READ/<br>WRITE | RESET<br>VALUE | DESCRIPTION                                                                                                                 |
|-------|----------------|----------------|-----------------------------------------------------------------------------------------------------------------------------|
| D7    | R/W            | 0              | PGA_L Output Routing Control<br>0: PGA_L is not routed to HPROUT<br>1: PGA_L is routed to HPROUT                            |
| D6-D0 | R/W            | 0000000        | PGA_L to HPROUT Analog Volume Control<br>For 7-bit register setting versus analog gain values, see <a href="#">Table 51</a> |

**Table 68. Page 0 / Register 61: DAC\_L1 to HPROUT Volume Control Register**

| BIT   | READ/<br>WRITE | RESET<br>VALUE | DESCRIPTION                                                                                                                  |
|-------|----------------|----------------|------------------------------------------------------------------------------------------------------------------------------|
| D7    | R/W            | 0              | DAC_L1 Output Routing Control<br>0: DAC_L1 is not routed to HPROUT<br>1: DAC_L1 is routed to HPROUT                          |
| D6-D0 | R/W            | 0000000        | DAC_L1 to HPROUT Analog Volume Control<br>For 7-bit register setting versus analog gain values, see <a href="#">Table 51</a> |

**Table 69. Page 0 / Register 62: LINE2R to HPROUT Volume Control Register**

| BIT   | READ/<br>WRITE | RESET<br>VALUE | DESCRIPTION                                                                                                                  |
|-------|----------------|----------------|------------------------------------------------------------------------------------------------------------------------------|
| D7    | R/W            | 0              | LINE2R Output Routing Control<br>0: LINE2R is not routed to HPROUT<br>1: LINE2R is routed to HPROUT                          |
| D6-D0 | R/W            | 0000000        | LINE2R to HPROUT Analog Volume Control<br>For 7-bit register setting versus analog gain values, see <a href="#">Table 51</a> |

**Table 70. Page 0 / Register 63: PGA\_R to HPROUT Volume Control Register**

| BIT   | READ/<br>WRITE | RESET<br>VALUE | DESCRIPTION                                                                                                                 |
|-------|----------------|----------------|-----------------------------------------------------------------------------------------------------------------------------|
| D7    | R/W            | 0              | PGA_R Output Routing Control<br>0: PGA_R is not routed to HPROUT<br>1: PGA_R is routed to HPROUT                            |
| D6-D0 | R/W            | 0000000        | PGA_R to HPROUT Analog Volume Control<br>For 7-bit register setting versus analog gain values, see <a href="#">Table 51</a> |

**Table 71. Page 0 / Register 64: DAC\_R1 to HPROUT Volume Control Register**

| BIT   | READ/<br>WRITE | RESET<br>VALUE | DESCRIPTION                                                                                                                  |
|-------|----------------|----------------|------------------------------------------------------------------------------------------------------------------------------|
| D7    | R/W            | 0              | DAC_R1 Output Routing Control<br>0: DAC_R1 is not routed to HPROUT<br>1: DAC_R1 is routed to HPROUT                          |
| D6-D0 | R/W            | 0000000        | DAC_R1 to HPROUT Analog Volume Control<br>For 7-bit register setting versus analog gain values, see <a href="#">Table 51</a> |

**Table 72. Page 0 / Register 65: HPROUT Output Level Control Register**

| BIT   | READ/<br>WRITE | RESET<br>VALUE | DESCRIPTION                                                                                                                                                                                                                                                                                              |
|-------|----------------|----------------|----------------------------------------------------------------------------------------------------------------------------------------------------------------------------------------------------------------------------------------------------------------------------------------------------------|
| D7-D4 | R/W            | 0000           | HPROUT Output Level Control<br>0000: Output level control = 0 dB<br>0001: Output level control = 1 dB<br>0010: Output level control = 2 dB<br>...<br>1000: Output level control = 8 dB<br>1001: Output level control = 9 dB<br>1010–1111: Reserved. Do not write these sequences to these register bits. |
| D3    | R/W            | 0              | HPROUT Mute<br>0: HPROUT is muted<br>1: HPROUT is not muted                                                                                                                                                                                                                                              |
| D2    | R/W            | 1              | HPROUT Power Down Drive Control<br>0: HPROUT is weakly driven to a common-mode when powered down<br>1: HPROUT is 3-stated with powered down                                                                                                                                                              |
| D1    | R              | 1              | HPROUT Volume Control Status<br>0: All programmed gains to HPROUT have been applied<br>1: Not all programmed gains to HPROUT have been applied yet                                                                                                                                                       |
| D0    | R/W            | 0              | HPROUT Power Control<br>0: HPROUT is not fully powered up<br>1: HPROUT is fully powered up                                                                                                                                                                                                               |

**Table 73. Page 0 / Register 66: Reserved**

| BIT   | READ/<br>WRITE | RESET<br>VALUE | DESCRIPTION                              |
|-------|----------------|----------------|------------------------------------------|
| D7–D0 | R              | 00000000       | Reserved. Do not write to this register. |

**Table 74. Page 0 / Register 67: Reserved**

| BIT   | READ/<br>WRITE | RESET<br>VALUE | DESCRIPTION                              |
|-------|----------------|----------------|------------------------------------------|
| D7–D0 | R              | 00000000       | Reserved. Do not write to this register. |

**Table 75. Page 0 / Register 68: Reserved**

| BIT   | READ/<br>WRITE | RESET<br>VALUE | DESCRIPTION                              |
|-------|----------------|----------------|------------------------------------------|
| D7–D0 | R              | 00000000       | Reserved. Do not write to this register. |

**Table 76. Page 0 / Register 69: Reserved**

| BIT   | READ/<br>WRITE | RESET<br>VALUE | DESCRIPTION                              |
|-------|----------------|----------------|------------------------------------------|
| D7–D0 | R              | 00000000       | Reserved. Do not write to this register. |

**Table 77. Page 0 / Register 70: Reserved**

| BIT   | READ/<br>WRITE | RESET<br>VALUE | DESCRIPTION                              |
|-------|----------------|----------------|------------------------------------------|
| D7–D0 | R              | 00000000       | Reserved. Do not write to this register. |

**Table 78. Page 0 / Register 71: Reserved**

| BIT       | READ/<br>WRITE | RESET<br>VALUE | DESCRIPTION                              |
|-----------|----------------|----------------|------------------------------------------|
| D7–D<br>0 | R              | 00000000       | Reserved. Do not write to this register. |

**Table 79. Page 0 / Register 72: Reserved**

| BIT   | READ/<br>WRITE | RESET<br>VALUE | DESCRIPTION                              |
|-------|----------------|----------------|------------------------------------------|
| D7–D0 | R              | 00000000       | Reserved. Do not write to this register. |

**Table 80. Page 0 / Register 73: Class-D and Bypass Switch Control Register**

| BIT   | READ/<br>WRITE | RESET<br>VALUE | DESCRIPTION                                                                                                                                                                                                        |
|-------|----------------|----------------|--------------------------------------------------------------------------------------------------------------------------------------------------------------------------------------------------------------------|
| D7-D6 | R/W            | 00             | Left Class-D amplifier gain.<br>00: Left Class-D amplifier gain = 0.0 dB<br>01: Left Class-D amplifier gain = 6.0 dB<br>10: Left Class-D amplifier gain = 12.0 dB<br>11: Left Class-D amplifier gain = 18.0 dB     |
| D5-D4 | R/W            | 00             | Right Class-D amplifier gain<br>00: Right Class-D amplifier gain = 0.0 dB<br>01: Right Class-D amplifier gain = 6.0 dB<br>10: Right Class-D amplifier gain = 12.0 dB<br>11: Right Class-D amplifier gain = 18.0 dB |
| D3    | W              | 0              | Left Class-D Channel Shut-Down/Enable<br>0: shut down left class-D channel.<br>1: enable left class-D channel                                                                                                      |
| D2    | W              | 0              | Right Class-D Channel Shut-Down/Enable<br>0: shut down right class-D channel.<br>1: enable right class-D channel                                                                                                   |
| D1    | W              | 0              | Bypass Switch Enable<br>0: disable bypass switch<br>1: enable bypass switch                                                                                                                                        |
| D0    | R/W            | 0              | Bypass Switch Bootstrap Clock Enable<br>0: disable bypass switch bootstrap clock<br>1: enable bypass switch bootstrap clock                                                                                        |

**Table 81. Page 0 / Register 74: Reserved**

| BIT   | READ/<br>WRITE | RESET<br>VALUE | DESCRIPTION                              |
|-------|----------------|----------------|------------------------------------------|
| D7–D0 | R              | 00000000       | Reserved. Do not write to this register. |

**Table 82. Page 0 / Register 75: Reserved**

| BIT   | READ/<br>WRITE | RESET<br>VALUE | DESCRIPTION                              |
|-------|----------------|----------------|------------------------------------------|
| D7–D0 | R              | 00000000       | Reserved. Do not write to this register. |

**Table 83. Page 0 / Register 76: ADC DC Dither Control Register**

| BIT   | READ/<br>WRITE | RESET<br>VALUE | DESCRIPTION                                                                                                                                                                                                                                                                                                                                                                                                                                                                                                                                                                                                                                                                                                                                                |
|-------|----------------|----------------|------------------------------------------------------------------------------------------------------------------------------------------------------------------------------------------------------------------------------------------------------------------------------------------------------------------------------------------------------------------------------------------------------------------------------------------------------------------------------------------------------------------------------------------------------------------------------------------------------------------------------------------------------------------------------------------------------------------------------------------------------------|
| D7-D4 | R/W            | 0000           | Left ADC DC Dither Level<br>0000: DC dither disabled<br>0001: DC dither 15 mV (differential) (minimum magnitude)<br>0010: DC dither 30 mV (differential)<br>0011: DC dither 45 mV (differential)<br>0100: DC dither 60 mV (differential)<br>0101: DC dither 75 mV (differential)<br>0110: DC dither 90 mV (differential)<br>0111: DC dither 105 mV (differential) (maximum magnitude)<br>1000: DC dither disabled<br>1001: DC dither -15 mV (differential) (minimum magnitude)<br>1010: DC dither -30 mV (differential)<br>1011: DC dither -45 mV (differential)<br>1100: DC dither -60 mV (differential)<br>1101: DC dither -75 mV (differential)<br>1110: DC dither -90 mV (differential)<br>1111: DC dither -105 mV (differential) (maximum magnitude)  |
| D3-D0 | R/W            | 0000           | Right ADC DC Dither Level<br>0000: DC dither disabled<br>0001: DC dither 15 mV (differential) (minimum magnitude)<br>0010: DC dither 30 mV (differential)<br>0011: DC dither 45 mV (differential)<br>0100: DC dither 60 mV (differential)<br>0101: DC dither 75 mV (differential)<br>0110: DC dither 90 mV (differential)<br>0111: DC dither 105 mV (differential) (maximum magnitude)<br>1000: DC dither disabled<br>1001: DC dither -15 mV (differential) (minimum magnitude)<br>1010: DC dither -30 mV (differential)<br>1011: DC dither -45 mV (differential)<br>1100: DC dither -60 mV (differential)<br>1101: DC dither -75 mV (differential)<br>1110: DC dither -90 mV (differential)<br>1111: DC dither -105 mV (differential) (maximum magnitude) |

**Table 84. Page 0 / Register 77: Reserved**

| BIT   | READ/<br>WRITE | RESET<br>VALUE | DESCRIPTION                              |
|-------|----------------|----------------|------------------------------------------|
| D7-D0 | R              | 00000000       | Reserved. Do not write to this register. |

**Table 85. Page 0 / Register 78: Reserved**

| BIT   | READ/<br>WRITE | RESET<br>VALUE | DESCRIPTION                              |
|-------|----------------|----------------|------------------------------------------|
| D7-D0 | R              | 00000000       | Reserved. Do not write to this register. |

**Table 86. Page 0 / Register 79: Reserved**

| BIT   | READ/<br>WRITE | RESET<br>VALUE | DESCRIPTION                              |
|-------|----------------|----------------|------------------------------------------|
| D7-D0 | R              | 00000000       | Reserved. Do not write to this register. |

**Table 87. Page 0 / Register 80: LINE2L to LEFT\_LOP Volume Control Register**

| BIT   | READ/<br>WRITE | RESET<br>VALUE | DESCRIPTION                                                                                                                    |
|-------|----------------|----------------|--------------------------------------------------------------------------------------------------------------------------------|
| D7    | R/W            | 0              | LINE2L Output Routing Control<br>0: LINE2L is not routed to LEFT_LOP<br>1: LINE2L is routed to LEFT_LOP                        |
| D6-D0 | R/W            | 0000000        | LINE2L to LEFT_LOP Analog Volume Control<br>For 7-bit register setting versus analog gain values, see <a href="#">Table 51</a> |

**Table 88. Page 0 / Register 81: PGA\_L to LEFT\_LOP Volume Control Register**

| BIT   | READ/<br>WRITE | RESET<br>VALUE | DESCRIPTION                                                                                                                   |
|-------|----------------|----------------|-------------------------------------------------------------------------------------------------------------------------------|
| D7    | R/W            | 0              | PGA_L Output Routing Control<br>0: PGA_L is not routed to LEFT_LOP<br>1: PGA_L is routed to LEFT_LOP                          |
| D6-D0 | R/W            | 0000000        | PGA_L to LEFT_LOP Analog Volume Control<br>For 7-bit register setting versus analog gain values, see <a href="#">Table 51</a> |

**Table 89. Page 0 / Register 82: DAC\_L1 to LEFT\_LOP Volume Control Register**

| BIT   | READ/<br>WRITE | RESET<br>VALUE | DESCRIPTION                                                                                                                    |
|-------|----------------|----------------|--------------------------------------------------------------------------------------------------------------------------------|
| D7    | R/W            | 0              | DAC_L1 Output Routing Control<br>0: DAC_L1 is not routed to LEFT_LOP<br>1: DAC_L1 is routed to LEFT_LOP                        |
| D6-D0 | R/W            | 0000000        | DAC_L1 to LEFT_LOP Analog Volume Control<br>For 7-bit register setting versus analog gain values, see <a href="#">Table 51</a> |

**Table 90. Page 0 / Register 83: LINE2R to LEFT\_LOP Volume Control Register**

| BIT   | READ/<br>WRITE | RESET<br>VALUE | DESCRIPTION                                                                                                                    |
|-------|----------------|----------------|--------------------------------------------------------------------------------------------------------------------------------|
| D7    | R/W            | 0              | LINE2R Output Routing Control<br>0: LINE2R is not routed to LEFT_LOP<br>1: LINE2R is routed to LEFT_LOP                        |
| D6-D0 | R/W            | 0000000        | LINE2R to LEFT_LOP Analog Volume Control<br>For 7-bit register setting versus analog gain values, see <a href="#">Table 51</a> |

**Table 91. Page 0 / Register 84: PGA\_R to LEFT\_LOP Volume Control Register**

| BIT   | READ/<br>WRITE | RESET<br>VALUE | DESCRIPTION                                                                                                                   |
|-------|----------------|----------------|-------------------------------------------------------------------------------------------------------------------------------|
| D7    | R/W            | 0              | PGA_R Output Routing Control<br>0: PGA_R is not routed to LEFT_LOP<br>1: PGA_R is routed to LEFT_LOP                          |
| D6-D0 | R/W            | 0000000        | PGA_R to LEFT_LOP Analog Volume Control<br>For 7-bit register setting versus analog gain values, see <a href="#">Table 51</a> |

**Table 92. Page 0 / Register 85: DAC\_R1 to LEFT\_LOP Volume Control Register**

| BIT   | READ/<br>WRITE | RESET<br>VALUE | DESCRIPTION                                                                                                                    |
|-------|----------------|----------------|--------------------------------------------------------------------------------------------------------------------------------|
| D7    | R/W            | 0              | DAC_R1 Output Routing Control<br>0: DAC_R1 is not routed to LEFT_LOP<br>1: DAC_R1 is routed to LEFT_LOP                        |
| D6-D0 | R/W            | 0000000        | DAC_R1 to LEFT_LOP Analog Volume Control<br>For 7-bit register setting versus analog gain values, see <a href="#">Table 51</a> |

**Table 93. Page 0 / Register 86: LEFT\_LOP Output Level Control Register**

| BIT   | READ/<br>WRITE | RESET<br>VALUE | DESCRIPTION                                                                                                                                                                                                                                                                                                |
|-------|----------------|----------------|------------------------------------------------------------------------------------------------------------------------------------------------------------------------------------------------------------------------------------------------------------------------------------------------------------|
| D7-D4 | R/W            | 0000           | LEFT_LOP Output Level Control<br>0000: Output level control = 0 dB<br>0001: Output level control = 1 dB<br>0010: Output level control = 2 dB<br>...<br>1000: Output level control = 8 dB<br>1001: Output level control = 9 dB<br>1010–1111: Reserved. Do not write these sequences to these register bits. |
| D3    | R/W            | 0              | LEFT_LOP Mute<br>0: LEFT_LOP is muted<br>1: LEFT_LOP is not muted                                                                                                                                                                                                                                          |
| D2    | R              | 0              | Reserved. Don't write to this register bit.                                                                                                                                                                                                                                                                |
| D1    | R              | 1              | LEFT_LOP Volume Control Status<br>0: All programmed gains to LEFT_LOP have been applied<br>1: Not all programmed gains to LEFT_LOP have been applied yet                                                                                                                                                   |
| D0    | R              | 0              | LEFT_LOP Power Status<br>0: LEFT_LOP is not fully powered up<br>1: LEFT_LOP is fully powered up                                                                                                                                                                                                            |

**Table 94. Page 0 / Register 87: LINE2L to RIGHT\_LOP Volume Control Register**

| BIT   | READ/<br>WRITE | RESET<br>VALUE | DESCRIPTION                                                                                                                     |
|-------|----------------|----------------|---------------------------------------------------------------------------------------------------------------------------------|
| D7    | R/W            | 0              | LINE2L Output Routing Control<br>0: LINE2L is not routed to RIGHT_LOP<br>1: LINE2L is routed to RIGHT_LOP                       |
| D6-D0 | R/W            | 0000000        | LINE2L to RIGHT_LOP Analog Volume Control<br>For 7-bit register setting versus analog gain values, see <a href="#">Table 51</a> |

**Table 95. Page 0 / Register 88: PGA\_L to RIGHT\_LOP Volume Control Register**

| BIT   | READ/<br>WRITE | RESET<br>VALUE | DESCRIPTION                                                                                                                    |
|-------|----------------|----------------|--------------------------------------------------------------------------------------------------------------------------------|
| D7    | R/W            | 0              | PGA_L Output Routing Control<br>0: PGA_L is not routed to RIGHT_LOP<br>1: PGA_L is routed to RIGHT_LOP                         |
| D6-D0 | R/W            | 0000000        | PGA_L to RIGHT_LOP Analog Volume Control<br>For 7-bit register setting versus analog gain values, see <a href="#">Table 51</a> |

**Table 96. Page 0 / Register 89: DAC\_L1 to RIGHT\_LOP Volume Control Register**

| BIT   | READ/<br>WRITE | RESET<br>VALUE | DESCRIPTION                                                                                                                     |
|-------|----------------|----------------|---------------------------------------------------------------------------------------------------------------------------------|
| D7    | R/W            | 0              | DAC_L1 Output Routing Control<br>0: DAC_L1 is not routed to RIGHT_LOP<br>1: DAC_L1 is routed to RIGHT_LOP                       |
| D6-D0 | R/W            | 0000000        | DAC_L1 to RIGHT_LOP Analog Volume Control<br>For 7-bit register setting versus analog gain values, see <a href="#">Table 51</a> |

**Table 97. Page 0 / Register 90: LINE2R to RIGHT\_LOP Volume Control Register**

| BIT   | READ/<br>WRITE | RESET<br>VALUE | DESCRIPTION                                                                                                                     |
|-------|----------------|----------------|---------------------------------------------------------------------------------------------------------------------------------|
| D7    | R/W            | 0              | LINE2R Output Routing Control<br>0: LINE2R is not routed to RIGHT_LOP<br>1: LINE2R is routed to RIGHT_LOP                       |
| D6-D0 | R/W            | 0000000        | LINE2R to RIGHT_LOP Analog Volume Control<br>For 7-bit register setting versus analog gain values, see <a href="#">Table 51</a> |

**Table 98. Page 0 / Register 91: PGA\_R to RIGHT\_LOP Volume Control Register**

| BIT   | READ/<br>WRITE | RESET<br>VALUE | DESCRIPTION                                                                                                                    |
|-------|----------------|----------------|--------------------------------------------------------------------------------------------------------------------------------|
| D7    | R/W            | 0              | PGA_R Output Routing Control<br>0: PGA_R is not routed to RIGHT_LOP<br>1: PGA_R is routed to RIGHT_LOP                         |
| D6-D0 | R/W            | 0000000        | PGA_R to RIGHT_LOP Analog Volume Control<br>For 7-bit register setting versus analog gain values, see <a href="#">Table 51</a> |

**Table 99. Page 0 / Register 92: DAC\_R1 to RIGHT\_LOP Volume Control Register**

| BIT   | READ/<br>WRITE | RESET<br>VALUE | DESCRIPTION                                                                                                                     |
|-------|----------------|----------------|---------------------------------------------------------------------------------------------------------------------------------|
| D7    | R/W            | 0              | DAC_R1 Output Routing Control<br>0: DAC_R1 is not routed to RIGHT_LOP<br>1: DAC_R1 is routed to RIGHT_LOP                       |
| D6-D0 | R/W            | 0000000        | DAC_R1 to RIGHT_LOP Analog Volume Control<br>For 7-bit register setting versus analog gain values, see <a href="#">Table 51</a> |

**Table 100. Page 0 / Register 93: RIGHT\_LOP Output Level Control Register**

| BIT   | READ/<br>WRITE | RESET<br>VALUE | DESCRIPTION                                                                                                                                                                                                                                                                                                 |
|-------|----------------|----------------|-------------------------------------------------------------------------------------------------------------------------------------------------------------------------------------------------------------------------------------------------------------------------------------------------------------|
| D7-D4 | R/W            | 0000           | RIGHT_LOP Output Level Control<br>0000: Output level control = 0 dB<br>0001: Output level control = 1 dB<br>0010: Output level control = 2 dB<br>...<br>1000: Output level control = 8 dB<br>1001: Output level control = 9 dB<br>1010–1111: Reserved. Do not write these sequences to these register bits. |
| D3    | R/W            | 0              | RIGHT_LOP Mute<br>0: RIGHT_LOP is muted<br>1: RIGHT_LOP is not muted                                                                                                                                                                                                                                        |
| D2    | R              | 0              | Reserved. Don't write to this register bit.                                                                                                                                                                                                                                                                 |
| D1    | R              | 1              | RIGHT_LOP Volume Control Status<br>0: All programmed gains to RIGHT_LOP have been applied<br>1: Not all programmed gains to RIGHT_LOP have been applied yet                                                                                                                                                 |
| D0    | R              | 0              | RIGHT_LOP Power Status<br>0: RIGHT_LOP is not fully powered up<br>1: RIGHT_LOP is fully powered up                                                                                                                                                                                                          |

**Table 101. Page 0 / Register 94: Module Power Status Register**

| BIT | READ/<br>WRITE | RESET<br>VALUE | DESCRIPTION                                                                                                    |
|-----|----------------|----------------|----------------------------------------------------------------------------------------------------------------|
| D7  | R              | 0              | Left DAC Power Status<br>0: Left DAC not fully powered up<br>1: Left DAC fully powered up                      |
| D6  | R              | 0              | Right DAC Power Status<br>0: Right DAC not fully powered up<br>1: Right DAC fully powered up                   |
| D5  | R              | 0              | Reserved. Do not write to this register bit.                                                                   |
| D4  | R              | 0              | LEFT_LOP Power Status<br>0: LEFT_LOP output driver powered down<br>1: LEFT_LOP output driver powered up        |
| D3  | R              | 0              | RIGHT_LOP Power Status<br>0: RIGHT_LOP is not fully powered up<br>1: RIGHT_LOP is fully powered up             |
| D2  | R              | 0              | HPLOUT Driver Power Status<br>0: HPLOUT Driver is not fully powered up<br>1: HPLOUT Driver is fully powered up |
| D1  | R              | 0              | HPROUT Driver Power Status<br>0: HPROUT Driver is not fully powered up<br>1: HPROUT Driver is fully powered up |
| D0  | R              | 0              | Reserved. Do not write to this register bit.                                                                   |

**Table 102. Page 0 / Register 95: Output Driver Short Circuit Detection Status Register**

| BIT   | READ/<br>WRITE | RESET<br>VALUE | DESCRIPTION                                                                                                            |
|-------|----------------|----------------|------------------------------------------------------------------------------------------------------------------------|
| D7    | R              | 0              | HPLOUT Short Circuit Detection Status<br>0: No short circuit detected at HPLOUT<br>1: Short circuit detected at HPLOUT |
| D6    | R              | 0              | HPROUT Short Circuit Detection Status<br>0: No short circuit detected at HPROUT<br>1: Short circuit detected at HPROUT |
| D5    | R              | 0              | HPCOM Short Circuit Detection Status<br>0: No short circuit detected at HPCOM<br>1: Short circuit detected at HPCOM    |
| D4    | R              | 0              | Reserved. Do not write to this register bit.                                                                           |
| D3    | R              | 0              | HPCOM Power Status<br>0: HPCOM is not fully powered up<br>1: HPCOM is fully powered up                                 |
| D2-D0 | R              | 0              | Reserved. Do not write to these register bits.                                                                         |

**Table 103. Page 0 / Register 96: Sticky Interrupt Flags Register**

| BIT | READ/<br>WRITE | RESET<br>VALUE | DESCRIPTION                                                                                                                                                                   |
|-----|----------------|----------------|-------------------------------------------------------------------------------------------------------------------------------------------------------------------------------|
| D7  | R              | 0              | HPLOUT Short Circuit Detection Status<br>0: No short circuit detected at HPLOUT driver<br>1: Short circuit detected at HPLOUT driver                                          |
| D6  | R              | 0              | HPROUT Short Circuit Detection Status<br>0: No short circuit detected at HPROUT driver<br>1: Short circuit detected at HPROUT driver                                          |
| D5  | R              | 0              | HPCOM Short Circuit Detection Status<br>0: No short circuit detected at HPCOM driver<br>1: Short circuit detected at HPCOM driver                                             |
| D4  | R              | 0              | Reserved. Do not write to this register bit.                                                                                                                                  |
| D3  | R              | 0              | Button Press Detection Status<br>0: No Headset Button Press detected<br>1: Headset Button Pressed                                                                             |
| D2  | R              | 0              | Headset Detection Status<br>0: No Headset insertion/removal is detected<br>1: Headset insertion/removal is detected                                                           |
| D1  | R              | 0              | Left ADC AGC Noise Gate Status<br>0: Left ADC Signal Power Greater than Noise Threshold for Left AGC<br>1: Left ADC Signal Power Lower than Noise Threshold for Left AGC      |
| D0  | R              | 0              | Right ADC AGC Noise Gate Status<br>0: Right ADC Signal Power Greater than Noise Threshold for Right AGC<br>1: Right ADC Signal Power Lower than Noise Threshold for Right AGC |

**Table 104. Page 0 / Register 97: Real-time Interrupt Flags Register**

| BIT | READ/<br>WRITE | RESET<br>VALUE | DESCRIPTION                                                                                                                                                                   |
|-----|----------------|----------------|-------------------------------------------------------------------------------------------------------------------------------------------------------------------------------|
| D7  | R              | 0              | HPLOUT Short Circuit Detection Status<br>0: No short circuit detected at HPLOUT driver<br>1: Short circuit detected at HPLOUT driver                                          |
| D6  | R              | 0              | HPROUT Short Circuit Detection Status<br>0: No short circuit detected at HPROUT driver<br>1: Short circuit detected at HPROUT driver                                          |
| D5  | R              | 0              | HPCOM Short Circuit Detection Status<br>0: No short circuit detected at HPCOM driver<br>1: Short circuit detected at HPCOM driver                                             |
| D4  | R              | 0              | Reserved. Do not write to this register bit.                                                                                                                                  |
| D3  | R              | 0              | Button Press Detection Status <sup>(1)</sup><br>0: No Headset Button Press detected<br>1: Headset Button Pressed                                                              |
| D2  | R              | 0              | Headset Detection Status<br>0: No Headset is detected<br>1: Headset is detected                                                                                               |
| D1  | R              | 0              | Left ADC AGC Noise Gate Status<br>0: Left ADC Signal Power Greater than Noise Threshold for Left AGC<br>1: Left ADC Signal Power Lower than Noise Threshold for Left AGC      |
| D0  | R              | 0              | Right ADC AGC Noise Gate Status<br>0: Right ADC Signal Power Greater than Noise Threshold for Right AGC<br>1: Right ADC Signal Power Lower than Noise Threshold for Right AGC |

(1) This bit is a sticky bit, cleared only when page 0, register 14 is read.

**Table 105. Page 0 / Register 98: GPIO1 Control Register**

| BIT   | READ/<br>WRITE | RESET<br>VALUE | DESCRIPTION                                                                                                                                                                                                                                                                                                                                                                                                                                                                                                                                                                                                                                                                                                                                                                                                                                                                                                                                                                                                                                                                                                                                                                                                                                                  |
|-------|----------------|----------------|--------------------------------------------------------------------------------------------------------------------------------------------------------------------------------------------------------------------------------------------------------------------------------------------------------------------------------------------------------------------------------------------------------------------------------------------------------------------------------------------------------------------------------------------------------------------------------------------------------------------------------------------------------------------------------------------------------------------------------------------------------------------------------------------------------------------------------------------------------------------------------------------------------------------------------------------------------------------------------------------------------------------------------------------------------------------------------------------------------------------------------------------------------------------------------------------------------------------------------------------------------------|
| D7-D4 | R/W            | 0000           | GPIO1 Output Control<br>0000: GPIO1 is disabled<br>0001: GPIO1 used for audio serial data bus ADC word clock<br>0010: GPIO1 output = clock mux output divided by 1 (M=1)<br>0011: GPIO1 output = clock mux output divided by 2 (M=2)<br>0100: GPIO1 output = clock mux output divided by 4 (M=4)<br>0101: GPIO1 output = clock mux output divided by 8 (M=8)<br>0110: GPIO1 output = short circuit interrupt<br>0111: GPIO1 output = AGC noise interrupt<br>1000: GPIO1 = general purpose input<br>1001: GPIO1 = general purpose output<br>1010: Reserved. Do not write this sequence to these bits.<br>1011: GPIO1 = word clock for audio serial data bus (programmable as input or output)<br>1100: GPIO1 output = hook-switch/button press interrupt (interrupt polarity: active high, typical interrupt duration: button pressed time + clock resolution. Clock resolution depends upon debounce programmability. Typical interrupt delay from button: debounce duration + 0.5ms)<br>1101: GPIO1 output = jack/headset detection interrupt<br>1110: GPIO1 output = jack/headset detection interrupt OR button press interrupt<br>1111: GPIO1 output = jack/headset detection OR button press OR Short Circuit detection OR AGC Noise detection interrupt |
| D3    | R/W            | 0              | GPIO1 Clock Mux Output Control<br>0: GPIO1 clock mux output = PLL output<br>1: GPIO1 clock mux output = clock divider mux output                                                                                                                                                                                                                                                                                                                                                                                                                                                                                                                                                                                                                                                                                                                                                                                                                                                                                                                                                                                                                                                                                                                             |
| D2    | R/W            | 0              | GPIO1 Interrupt Duration Control<br>0: GPIO1 Interrupt occurs as a single active-high pulse of typical duration 2ms.<br>1: GPIO1 Interrupt occurs as continuous pulses until the Interrupt Flags register (register 96) is read by the host                                                                                                                                                                                                                                                                                                                                                                                                                                                                                                                                                                                                                                                                                                                                                                                                                                                                                                                                                                                                                  |
| D1    | R              | 0              | GPIO1 General Purpose Input Value<br>0: A logic-low level is input to GPIO1<br>1: A logic-high level is input to GPIO1                                                                                                                                                                                                                                                                                                                                                                                                                                                                                                                                                                                                                                                                                                                                                                                                                                                                                                                                                                                                                                                                                                                                       |
| D0    | R/W            | 0              | GPIO1 General Purpose Output Value<br>0: GPIO1 outputs a logic-low level<br>1: GPIO1 outputs a logic-high level                                                                                                                                                                                                                                                                                                                                                                                                                                                                                                                                                                                                                                                                                                                                                                                                                                                                                                                                                                                                                                                                                                                                              |

**Table 106. Page 0 / Register 99: Reserved**

| BIT   | READ/<br>WRITE | RESET<br>VALUE | DESCRIPTION                              |
|-------|----------------|----------------|------------------------------------------|
| D7–D0 | R              | 00000000       | Reserved. Do not write to this register. |

**Table 107. Page 0 / Register 100: Reserved**

| BIT   | READ/<br>WRITE | RESET<br>VALUE | DESCRIPTION                              |
|-------|----------------|----------------|------------------------------------------|
| D7–D0 | R              | 00000000       | Reserved. Do not write to this register. |

**Table 108. Page 0 / Register 101: CODEC CLKIN Source Selection Register**

| BIT   | READ/<br>WRITE | RESET<br>VALUE | DESCRIPTION                                                                                      |
|-------|----------------|----------------|--------------------------------------------------------------------------------------------------|
| D7–D1 | R              | 0              | Reserved. Do not write to these register bits.                                                   |
| D0    | R/W            | 0              | CODEC_CLKIN Source Selection<br>0: CODEC_CLKIN uses PLLDIV_OUT<br>1: CODEC_CLKIN uses CLKDIV_OUT |

**Table 109. Page 0 / Register 102: Clock Generation Control Register**

| BIT   | READ/<br>WRITE | RESET<br>VALUE | DESCRIPTION                                                                                                                                |
|-------|----------------|----------------|--------------------------------------------------------------------------------------------------------------------------------------------|
| D7–D6 | R/W            | 00             | CLKDIV_IN Source Selection<br>00: CLKDIV_IN uses MCLK<br>01: Reserved. Do not use.<br>10: CLKDIV_IN uses BCLK<br>11: Reserved. Do not use. |
| D5–D4 | R/W            | 00             | PLLCLK_IN Source Selection<br>00: PLLCLK_IN uses MCLK<br>01: Reserved. Do not use.<br>10: PLLCLK_IN uses BCLK<br>11: Reserved. Do not use. |
| D3–D0 | R/W            | 0010           | PLL Clock Divider N Value<br>0000: N=16<br>0001: N=17<br>0010: N=2<br>0011: N=3<br>...<br>1111: N=15                                       |

**Table 110. Page 0 / Register 103: Left AGC New Programmable Attack Time Register**

| BIT   | READ/<br>WRITE | RESET<br>VALUE | DESCRIPTION                                                                                                                                                                                                                                                                                                                                                                                                                                                                                                                                                                                         |
|-------|----------------|----------------|-----------------------------------------------------------------------------------------------------------------------------------------------------------------------------------------------------------------------------------------------------------------------------------------------------------------------------------------------------------------------------------------------------------------------------------------------------------------------------------------------------------------------------------------------------------------------------------------------------|
| D7    | R/W            | 0              | Attack Time Register Selection<br>0: Attack time for the Left AGC is generated from Register 26.<br>1: Attack time for the Left AGC is generated from this Register.                                                                                                                                                                                                                                                                                                                                                                                                                                |
| D6–D5 | R/W            | 00             | Baseline AGC Attack time<br>00: Left AGC Attack time = 7-msec<br>01: Left AGC Attack time = 8-msec<br>10: Left AGC Attack time = 10-msec<br>11: Left AGC Attack time = 11-msec                                                                                                                                                                                                                                                                                                                                                                                                                      |
| D4–D2 | R/W            | 000            | Multiplication Factor for Baseline AGC<br>000: Multiplication factor for the baseline AGC Attack time = 1<br>001: Multiplication factor for the baseline AGC Attack time = 2<br>010: Multiplication factor for the baseline AGC Attack time = 4<br>011: Multiplication factor for the baseline AGC Attack time = 8<br>100: Multiplication factor for the baseline AGC Attack time = 16<br>101: Multiplication factor for the baseline AGC Attack time = 32<br>110: Multiplication factor for the baseline AGC Attack time = 64<br>111: Multiplication factor for the baseline AGC Attack time = 128 |
| D1–D0 | R/W            | 00             | Reserved. Write only zero to these register bits.                                                                                                                                                                                                                                                                                                                                                                                                                                                                                                                                                   |

**Table 111. Page 0 / Register 104: Left AGC Programmable Decay Time Register<sup>(1)</sup>**

| BIT   | READ/<br>WRITE | RESET<br>VALUE | DESCRIPTION                                                                                                                                                                                                                                                                                                                                                                                                                                                                                                                                                                                 |
|-------|----------------|----------------|---------------------------------------------------------------------------------------------------------------------------------------------------------------------------------------------------------------------------------------------------------------------------------------------------------------------------------------------------------------------------------------------------------------------------------------------------------------------------------------------------------------------------------------------------------------------------------------------|
| D7    | R/W            | 0              | Decay Time Register Selection<br>0: Decay time for the Left AGC is generated from Register 26.<br>1: Decay time for the Left AGC is generated from this Register.                                                                                                                                                                                                                                                                                                                                                                                                                           |
| D6-D5 | R/W            | 00             | Baseline AGC Decay time<br>00: Left AGC Decay time = 50-msec<br>01: Left AGC Decay time = 150-msec<br>10: Left AGC Decay time = 250-msec<br>11: Left AGC Decay time = 350-msec                                                                                                                                                                                                                                                                                                                                                                                                              |
| D4-D2 | R/W            | 000            | Multiplication Factor for Baseline AGC<br>000: Multiplication factor for the baseline AGC Decay time = 1<br>001: Multiplication factor for the baseline AGC Decay time = 2<br>010: Multiplication factor for the baseline AGC Decay time = 4<br>011: Multiplication factor for the baseline AGC Decay time = 8<br>100: Multiplication factor for the baseline AGC Decay time = 16<br>101: Multiplication factor for the baseline AGC Decay time = 32<br>110: Multiplication factor for the baseline AGC Decay time = 64<br>111: Multiplication factor for the baseline AGC Decay time = 128 |
| D1-D0 | R/W            | 00             | Reserved. Write only zero to these register bits.                                                                                                                                                                                                                                                                                                                                                                                                                                                                                                                                           |

- (1) Decay time is limited based on NADC ratio that is selected. For  
 NADC = 1, Max Decay time = 4 seconds  
 NADC = 1.5, Max Decay time = 5.6 seconds  
 NADC = 2, Max Decay time = 8 seconds  
 NADC = 2.5, Max Decay time = 9.6 seconds  
 NADC = 3 or 3.5, Max Decay time = 11.2 seconds  
 NADC = 4 or 4.5, Max Decay time = 16 seconds  
 NADC = 5, Max Decay time = 19.2 seconds  
 NADC = 5.5 or 6, Max Decay time = 22.4 seconds

**Table 112. Page 0 / Register 105: Right AGC Programmable Attack Time Register**

| BIT   | READ/<br>WRITE | RESET<br>VALUE | DESCRIPTION                                                                                                                                                                                                                                                                                                                                                                                                                                                                                                                                                                                         |
|-------|----------------|----------------|-----------------------------------------------------------------------------------------------------------------------------------------------------------------------------------------------------------------------------------------------------------------------------------------------------------------------------------------------------------------------------------------------------------------------------------------------------------------------------------------------------------------------------------------------------------------------------------------------------|
| D7    | R/W            | 0              | Attack Time Register Selection<br>0: Attack time for the Right AGC is generated from Register 29.<br>1: Attack time for the Right AGC is generated from this Register.                                                                                                                                                                                                                                                                                                                                                                                                                              |
| D6-D5 | R/W            | 00             | Baseline AGC Attack time<br>00: Right AGC Attack time = 7-msec<br>01: Right AGC Attack time = 8-msec<br>10: Right AGC Attack time = 10-msec<br>11: Right AGC Attack time = 11-msec                                                                                                                                                                                                                                                                                                                                                                                                                  |
| D4-D2 | R/W            | 000            | Multiplication Factor for Baseline AGC<br>000: Multiplication factor for the baseline AGC Attack time = 1<br>001: Multiplication factor for the baseline AGC Attack time = 2<br>010: Multiplication factor for the baseline AGC Attack time = 4<br>011: Multiplication factor for the baseline AGC Attack time = 8<br>100: Multiplication factor for the baseline AGC Attack time = 16<br>101: Multiplication factor for the baseline AGC Attack time = 32<br>110: Multiplication factor for the baseline AGC Attack time = 64<br>111: Multiplication factor for the baseline AGC Attack time = 128 |
| D1-D0 | R/W            | 00             | Reserved. Write only zero to these register bits.                                                                                                                                                                                                                                                                                                                                                                                                                                                                                                                                                   |

**Table 113. Page 0 / Register 106: Right AGC New Programmable Decay Time Register<sup>(1)</sup>**

| BIT   | READ/<br>WRITE | RESET<br>VALUE | DESCRIPTION                                                                                                                                                                                                                                                                                                                                                                                                                                                                                                                                                                                 |
|-------|----------------|----------------|---------------------------------------------------------------------------------------------------------------------------------------------------------------------------------------------------------------------------------------------------------------------------------------------------------------------------------------------------------------------------------------------------------------------------------------------------------------------------------------------------------------------------------------------------------------------------------------------|
| D7    | R/W            | 0              | Decay Time Register Selection<br>0: Decay time for the Right AGC is generated from Register 29.<br>1: Decay time for the Right AGC is generated from this Register.                                                                                                                                                                                                                                                                                                                                                                                                                         |
| D6-D5 | R/W            | 00             | Baseline AGC Decay time<br>00: Right AGC Decay time = 50-msec<br>01: Right AGC Decay time = 150-msec<br>10: Right AGC Decay time = 250-msec<br>11: Right AGC Decay time = 350-msec                                                                                                                                                                                                                                                                                                                                                                                                          |
| D4-D2 | R/W            | 000            | Multiplication Factor for Baseline AGC<br>000: Multiplication factor for the baseline AGC Decay time = 1<br>001: Multiplication factor for the baseline AGC Decay time = 2<br>010: Multiplication factor for the baseline AGC Decay time = 4<br>011: Multiplication factor for the baseline AGC Decay time = 8<br>100: Multiplication factor for the baseline AGC Decay time = 16<br>101: Multiplication factor for the baseline AGC Decay time = 32<br>110: Multiplication factor for the baseline AGC Decay time = 64<br>111: Multiplication factor for the baseline AGC Decay time = 128 |
| D1-D0 | R/W            | 00             | Reserved. Write only zero to these register bits.                                                                                                                                                                                                                                                                                                                                                                                                                                                                                                                                           |

- (1) Decay time is limited based on NADC ratio that is selected. For  
 NADC = 1, Max Decay time = 4 seconds  
 NADC = 1.5, Max Decay time = 5.6 seconds  
 NADC = 2, Max Decay time = 8 seconds  
 NADC = 2.5, Max Decay time = 9.6 seconds  
 NADC = 3 or 3.5, Max Decay time = 11.2 seconds  
 NADC = 4 or 4.5, Max Decay time = 16 seconds  
 NADC = 5, Max Decay time = 19.2 seconds  
 NADC = 5.5 or 6, Max Decay time = 22.4 seconds

**Table 114. Page 0 / Register 107: New Programmable ADC Digital Path and I<sup>2</sup>C Bus Condition Register**

| BIT   | READ/<br>WRITE | RESET<br>VALUE | DESCRIPTION                                                                                                                                                                                                                         |
|-------|----------------|----------------|-------------------------------------------------------------------------------------------------------------------------------------------------------------------------------------------------------------------------------------|
| D7    | R/W            | 0              | Left Channel High Pass Filter Coefficient Selection<br>0: Default Coefficients are used when ADC High Pass is enabled.<br>1: Programmable Coefficients are used when ADC High Pass is enabled.                                      |
| D6    | R/W            | 0              | Right Channel High Pass Filter Coefficient Selection<br>0: Default Coefficients are used when ADC High Pass is enabled.<br>1: Programmable Coefficients are used when ADC High Pass is enabled.                                     |
| D5-D4 | R/W            | 00             | Reserved. Write only zeroes to these bits.                                                                                                                                                                                          |
| D3    | R/W            | 0              | ADC Digital output to Programmable Filter Path Selection<br>0: No additional Programmable Filters other than the HPF are used for the ADC.<br>1: The Programmable Filter is connected to ADC output, if both DACs are powered down. |
| D2    | R/W            | 0              | I <sup>2</sup> C Bus Condition Detector<br>0: Internal logic is enabled to detect an I <sup>2</sup> C bus error, and clears the bus error condition.<br>1: Internal logic is disabled to detect an I <sup>2</sup> C bus error.      |
| D1    | R              | 0              | Reserved. Write only zero to these register bits.                                                                                                                                                                                   |
| D0    | R              | 0              | I <sup>2</sup> C Bus error detection status<br>0: I <sup>2</sup> C bus error is not detected<br>1: I <sup>2</sup> C bus error is detected. This bit is cleared by reading this register.                                            |

**Table 115. Page 0 / Register 108: Passive Analog Signal Bypass Selection During Powerdown Register<sup>(1)</sup>**

| BIT | READ/<br>WRITE | RESET<br>VALUE | DESCRIPTION                                                                                                      |
|-----|----------------|----------------|------------------------------------------------------------------------------------------------------------------|
| D7  | R/W            | 0              | Reserved. Write only zero to this register bit.                                                                  |
| D6  | R/W            | 0              | LINE2RP Path Selection<br>0: Normal Signal Path<br>1: Signal is routed by a switch to RIGHT_LOP                  |
| D5  | R/W            | 0              | Reserved. Write only zero to this register bit.                                                                  |
| D4  | R/W            | 0              | LINE1RP Path Selection<br>0: Normal Signal Path<br>1: Signal is routed by a switch to RIGHT_LOP                  |
| D3  | R/W            | 0              | LINE2LM Path Selection<br>0: Normal Signal Path<br>1: Signal is routed by a switch to LEFT_LOM (Internal Signal) |
| D2  | R/W            | 0              | LINE2LP Path Selection<br>0: Normal Signal Path<br>1: Signal is routed by a switch to LEFT_LOP                   |
| D1  | R/W            | 0              | LINE1LM Path Selection<br>0: Normal Signal Path<br>1: Signal is routed by a switch to LEFT_LOM (Internal Signal) |
| D0  | R/W            | 0              | LINE1LP Path Selection<br>0: Normal Signal Path<br>1: Signal is routed by a switch to LEFT_LOP                   |

- (1) Based on the setting above, if BOTH LINE1 and LINE2 inputs are routed to the output at the same time, then the two switches used for the connection short the two input signals together on the output pins. The shorting resistance between the two input pins is two times the bypass switch resistance ( $R_{DS(on)}$ ). In general this condition of shorting should be avoided, as higher drive currents are likely to occur on the circuitry that feeds these two input pins of this device.

**Table 116. Page 0 / Register 109: DAC Quiescent Current Adjustment Register**

| BIT   | READ/<br>WRITE | RESET<br>VALUE | DESCRIPTION                                                                                                                                      |
|-------|----------------|----------------|--------------------------------------------------------------------------------------------------------------------------------------------------|
| D7-D6 | R/W            | 00             | DAC Current Adjustment<br>00: Default<br>01: 50% increase in DAC reference current<br>10: Reserved<br>11: 100% increase in DAC reference current |
| D5-D0 | R/W            | 000000         | Reserved. Write only zero to these register bits.                                                                                                |

**Table 117. Page 0 / Register 110–127: Reserved Registers**

| BIT   | READ/<br>WRITE | RESET<br>VALUE | DESCRIPTION                                |
|-------|----------------|----------------|--------------------------------------------|
| D7-D0 | R              | 00000000       | Reserved. Do not write to these registers. |

**Table 118. Page 1 / Register 0: Page Select Register**

| BIT   | READ/<br>WRITE | RESET<br>VALUE | DESCRIPTION                                                                                                                                                                                                                                                                                                                                                                                                                          |
|-------|----------------|----------------|--------------------------------------------------------------------------------------------------------------------------------------------------------------------------------------------------------------------------------------------------------------------------------------------------------------------------------------------------------------------------------------------------------------------------------------|
| D7-D1 | X              | 0000000        | Reserved, write only zeros to these register bits                                                                                                                                                                                                                                                                                                                                                                                    |
| D0    | R/W            | 0              | Page Select Bit<br>Writing zero to this bit sets Page-0 as the active page for following register accesses. Writing a one to this bit sets Page-1 as the active page for following register accesses. It is recommended that the user read this register bit back after each write, to ensure that the proper page is being accessed for future register read/writes. This register has the same functionality on page-0 and page-1. |

**Table 119. Page 1 / Register 1: Left Channel Audio Effects Filter N0 Coefficient MSB Register<sup>(1)</sup>**

| BIT   | READ/<br>WRITE | RESET<br>VALUE | DESCRIPTION                                                                                                                                                                                                                             |
|-------|----------------|----------------|-----------------------------------------------------------------------------------------------------------------------------------------------------------------------------------------------------------------------------------------|
| D7-D0 | R/W            | 01101011       | Left Channel Audio Effects Filter N0 Coefficient MSB<br>The 16-bit integer contained in the MSB and LSB registers for this coefficient are interpreted as a 2's complement integer, with possible values ranging from –32768 to +32767. |

(1) When programming any coefficient value in Page 1, the MSB register should always be written first, immediately followed by the LSB register. Even if only the MSB or LSB of the coefficient changes, both registers should be written in this sequence.

**Table 120. Page 1 / Register 2: Left Channel Audio Effects Filter N0 Coefficient LSB Register**

| BIT   | READ/<br>WRITE | RESET<br>VALUE | DESCRIPTION                                                                                                                                                                                                                             |
|-------|----------------|----------------|-----------------------------------------------------------------------------------------------------------------------------------------------------------------------------------------------------------------------------------------|
| D7-D0 | R/W            | 11100011       | Left Channel Audio Effects Filter N0 Coefficient LSB<br>The 16-bit integer contained in the MSB and LSB registers for this coefficient are interpreted as a 2's complement integer, with possible values ranging from –32768 to +32767. |

**Table 121. Page 1 / Register 3: Left Channel Audio Effects Filter N1 Coefficient MSB Register**

| BIT   | READ/<br>WRITE | RESET<br>VALUE | DESCRIPTION                                                                                                                                                                                                                             |
|-------|----------------|----------------|-----------------------------------------------------------------------------------------------------------------------------------------------------------------------------------------------------------------------------------------|
| D7-D0 | R/W            | 10010110       | Left Channel Audio Effects Filter N1 Coefficient MSB<br>The 16-bit integer contained in the MSB and LSB registers for this coefficient are interpreted as a 2's complement integer, with possible values ranging from –32768 to +32767. |

**Table 122. Page 1 / Register 4: Left Channel Audio Effects Filter N1 Coefficient LSB Register**

| BIT   | READ/<br>WRITE | RESET<br>VALUE | DESCRIPTION                                                                                                                                                                                                                             |
|-------|----------------|----------------|-----------------------------------------------------------------------------------------------------------------------------------------------------------------------------------------------------------------------------------------|
| D7-D0 | R/W            | 01100110       | Left Channel Audio Effects Filter N1 Coefficient LSB<br>The 16-bit integer contained in the MSB and LSB registers for this coefficient are interpreted as a 2's complement integer, with possible values ranging from –32768 to +32767. |

**Table 123. Page 1 / Register 5: Left Channel Audio Effects Filter N2 Coefficient MSB Register**

| BIT   | READ/<br>WRITE | RESET<br>VALUE | DESCRIPTION                                                                                                                                                                                                                             |
|-------|----------------|----------------|-----------------------------------------------------------------------------------------------------------------------------------------------------------------------------------------------------------------------------------------|
| D7-D0 | R/W            | 01100111       | Left Channel Audio Effects Filter N2 Coefficient MSB<br>The 16-bit integer contained in the MSB and LSB registers for this coefficient are interpreted as a 2's complement integer, with possible values ranging from –32768 to +32767. |

**Table 124. Page 1 / Register 6: Left Channel Audio Effects Filter N2 Coefficient LSB**

| BIT   | READ/<br>WRITE | RESET<br>VALUE | DESCRIPTION                                                                                                                                                                                                                             |
|-------|----------------|----------------|-----------------------------------------------------------------------------------------------------------------------------------------------------------------------------------------------------------------------------------------|
| D7-D0 | R/W            | 01011101       | Left Channel Audio Effects Filter N2 Coefficient LSB<br>The 16-bit integer contained in the MSB and LSB registers for this coefficient are interpreted as a 2's complement integer, with possible values ranging from –32768 to +32767. |

**Table 125. Page 1 / Register 7: Left Channel Audio Effects Filter N3 Coefficient MSB Register**

| BIT   | READ/<br>WRITE | RESET<br>VALUE | DESCRIPTION                                                                                                                                                                                                                             |
|-------|----------------|----------------|-----------------------------------------------------------------------------------------------------------------------------------------------------------------------------------------------------------------------------------------|
| D7-D0 | R/W            | 01101011       | Left Channel Audio Effects Filter N3 Coefficient MSB<br>The 16-bit integer contained in the MSB and LSB registers for this coefficient are interpreted as a 2's complement integer, with possible values ranging from –32768 to +32767. |

**Table 126. Page 1 / Register 8: Left Channel Audio Effects Filter N3 Coefficient LSB Register**

| BIT   | READ/<br>WRITE | RESET<br>VALUE | DESCRIPTION                                                                                                                                                                                                                             |
|-------|----------------|----------------|-----------------------------------------------------------------------------------------------------------------------------------------------------------------------------------------------------------------------------------------|
| D7-D0 | R/W            | 11100011       | Left Channel Audio Effects Filter N3 Coefficient LSB<br>The 16-bit integer contained in the MSB and LSB registers for this coefficient are interpreted as a 2's complement integer, with possible values ranging from –32768 to +32767. |

**Table 127. Page 1 / Register 9: Left Channel Audio Effects Filter N4 Coefficient MSB Register**

| BIT   | READ/<br>WRITE | RESET<br>VALUE | DESCRIPTION                                                                                                                                                                                                                             |
|-------|----------------|----------------|-----------------------------------------------------------------------------------------------------------------------------------------------------------------------------------------------------------------------------------------|
| D7-D0 | R/W            | 10010110       | Left Channel Audio Effects Filter N4 Coefficient MSB<br>The 16-bit integer contained in the MSB and LSB registers for this coefficient are interpreted as a 2's complement integer, with possible values ranging from –32768 to +32767. |

**Page 1 / Register 10: Left Channel Audio Effects Filter N4 Coefficient LSB Register**

| BIT   | READ/<br>WRITE | RESET<br>VALUE | DESCRIPTION                                                                                                                                                                                                                             |
|-------|----------------|----------------|-----------------------------------------------------------------------------------------------------------------------------------------------------------------------------------------------------------------------------------------|
| D7-D0 | R/W            | 01100110       | Left Channel Audio Effects Filter N4 Coefficient LSB<br>The 16-bit integer contained in the MSB and LSB registers for this coefficient are interpreted as a 2's complement integer, with possible values ranging from –32768 to +32767. |

**Table 128. Page 1 / Register 11: Left Channel Audio Effects Filter N5 Coefficient MSB Register**

| BIT   | READ/<br>WRITE | RESET<br>VALUE | DESCRIPTION                                                                                                                                                                                                                             |
|-------|----------------|----------------|-----------------------------------------------------------------------------------------------------------------------------------------------------------------------------------------------------------------------------------------|
| D7-D0 | R/W            | 01100111       | Left Channel Audio Effects Filter N5 Coefficient MSB<br>The 16-bit integer contained in the MSB and LSB registers for this coefficient are interpreted as a 2's complement integer, with possible values ranging from –32768 to +32767. |

**Table 129. Page 1 / Register 12: Left Channel Audio Effects Filter N5 Coefficient LSB Register**

| BIT   | READ/<br>WRITE | RESET<br>VALUE | DESCRIPTION                                                                                                                                                                                                                                             |
|-------|----------------|----------------|---------------------------------------------------------------------------------------------------------------------------------------------------------------------------------------------------------------------------------------------------------|
| D7-D0 | R/W            | 01011101       | D7-D0 R/W 00000000 Left Channel Audio Effects Filter N5 Coefficient LSB The 16-bit integer contained in the MSB and LSB registers for this coefficient are interpreted as a 2's complement integer, with possible values ranging from -32768 to +32767. |

**Table 130. Page 1 / Register 13: Left Channel Audio Effects Filter D1 Coefficient MSB Register**

| BIT   | READ/<br>WRITE | RESET<br>VALUE | DESCRIPTION                                                                                                                                                                                                                             |
|-------|----------------|----------------|-----------------------------------------------------------------------------------------------------------------------------------------------------------------------------------------------------------------------------------------|
| D7-D0 | R/W            | 01111101       | Left Channel Audio Effects Filter D1 Coefficient MSB<br>The 16-bit integer contained in the MSB and LSB registers for this coefficient are interpreted as a 2's complement integer, with possible values ranging from –32768 to +32767. |

**Table 131. Page 1 / Register 14: Left Channel Audio Effects Filter D1 Coefficient LSB Register**

| BIT   | READ/<br>WRITE | RESET<br>VALUE | DESCRIPTION                                                                                                                                                                                                                             |
|-------|----------------|----------------|-----------------------------------------------------------------------------------------------------------------------------------------------------------------------------------------------------------------------------------------|
| D7-D0 | R/W            | 10000011       | Left Channel Audio Effects Filter D1 Coefficient LSB<br>The 16-bit integer contained in the MSB and LSB registers for this coefficient are interpreted as a 2's complement integer, with possible values ranging from –32768 to +32767. |

**Table 132. Page 1 / Register 15: Left Channel Audio Effects Filter D2 Coefficient MSB Register**

| BIT   | READ/<br>WRITE | RESET<br>VALUE | DESCRIPTION                                                                                                                                                                                                                             |
|-------|----------------|----------------|-----------------------------------------------------------------------------------------------------------------------------------------------------------------------------------------------------------------------------------------|
| D7-D0 | R/W            | 10000100       | Left Channel Audio Effects Filter D2 Coefficient MSB<br>The 16-bit integer contained in the MSB and LSB registers for this coefficient are interpreted as a 2's complement integer, with possible values ranging from –32768 to +32767. |

**Table 133. Page 1 / Register 16: Left Channel Audio Effects Filter D2 Coefficient LSB Register**

| BIT   | READ/<br>WRITE | RESET<br>VALUE | DESCRIPTION                                                                                                                                                                                                                             |
|-------|----------------|----------------|-----------------------------------------------------------------------------------------------------------------------------------------------------------------------------------------------------------------------------------------|
| D7-D0 | R/W            | 11101110       | Left Channel Audio Effects Filter D2 Coefficient LSB<br>The 16-bit integer contained in the MSB and LSB registers for this coefficient are interpreted as a 2's complement integer, with possible values ranging from –32768 to +32767. |

**Table 134. Page 1 / Register 17: Left Channel Audio Effects Filter D4 Coefficient MSB Register**

| BIT   | READ/<br>WRITE | RESET<br>VALUE | DESCRIPTION                                                                                                                                                                                                                             |
|-------|----------------|----------------|-----------------------------------------------------------------------------------------------------------------------------------------------------------------------------------------------------------------------------------------|
| D7-D0 | R/W            | 01111101       | Left Channel Audio Effects Filter D4 Coefficient MSB<br>The 16-bit integer contained in the MSB and LSB registers for this coefficient are interpreted as a 2's complement integer, with possible values ranging from –32768 to +32767. |

**Table 135. Page 1 / Register 18: Left Channel Audio Effects Filter D4 Coefficient LSB Register**

| BIT   | READ/<br>WRITE | RESET<br>VALUE | DESCRIPTION                                                                                                                                                                                                                             |
|-------|----------------|----------------|-----------------------------------------------------------------------------------------------------------------------------------------------------------------------------------------------------------------------------------------|
| D7-D0 | R/W            | 10000011       | Left Channel Audio Effects Filter D4 Coefficient LSB<br>The 16-bit integer contained in the MSB and LSB registers for this coefficient are interpreted as a 2's complement integer, with possible values ranging from –32768 to +32767. |

**Table 136. Page 1 / Register 19: Left Channel Audio Effects Filter D5 Coefficient MSB Register**

| BIT   | READ/<br>WRITE | RESET<br>VALUE | DESCRIPTION                                                                                                                                                                                                                             |
|-------|----------------|----------------|-----------------------------------------------------------------------------------------------------------------------------------------------------------------------------------------------------------------------------------------|
| D7-D0 | R/W            | 10000100       | Left Channel Audio Effects Filter D5 Coefficient MSB<br>The 16-bit integer contained in the MSB and LSB registers for this coefficient are interpreted as a 2's complement integer, with possible values ranging from –32768 to +32767. |

**Table 137. Page 1 / Register 20: Left Channel Audio Effects Filter D5 Coefficient LSB Register**

| BIT   | READ/<br>WRITE | RESET<br>VALUE | DESCRIPTION                                                                                                                                                                                                                          |
|-------|----------------|----------------|--------------------------------------------------------------------------------------------------------------------------------------------------------------------------------------------------------------------------------------|
| D7-D0 | R/W            | 11101110       | Left Channel Audio Effects Filter D5 Coefficient LSB The 16-bit integer contained in the MSB and LSB registers for this coefficient are interpreted as a 2's complement integer, with possible values ranging from –32768 to +32767. |

**Table 138. Page 1 / Register 21: Left Channel De-emphasis Filter N0 Coefficient MSB Register**

| BIT   | READ/<br>WRITE | RESET<br>VALUE | DESCRIPTION                                                                                                                                                                                                                        |
|-------|----------------|----------------|------------------------------------------------------------------------------------------------------------------------------------------------------------------------------------------------------------------------------------|
| D7-D0 | R/W            | 00111001       | Left Channel De-emphasis Filter N0 Coefficient MSB The 16-bit integer contained in the MSB and LSB registers for this coefficient are interpreted as a 2's complement integer, with possible values ranging from –32768 to +32767. |

**Table 139. Page 1 / Register 22: Left Channel De-emphasis Filter N0 Coefficient LSB Register**

| BIT   | READ/<br>WRITE | RESET<br>VALUE | DESCRIPTION                                                                                                                                                                                                                        |
|-------|----------------|----------------|------------------------------------------------------------------------------------------------------------------------------------------------------------------------------------------------------------------------------------|
| D7-D0 | R/W            | 01010101       | Left Channel De-emphasis Filter N0 Coefficient LSB The 16-bit integer contained in the MSB and LSB registers for this coefficient are interpreted as a 2's complement integer, with possible values ranging from –32768 to +32767. |

**Table 140. Page 1 / Register 23: Left Channel De-emphasis Filter N1 Coefficient MSB Register**

| BIT   | READ/<br>WRITE | RESET<br>VALUE | DESCRIPTION                                                                                                                                                                                                                        |
|-------|----------------|----------------|------------------------------------------------------------------------------------------------------------------------------------------------------------------------------------------------------------------------------------|
| D7-D0 | R/W            | 11110011       | Left Channel De-emphasis Filter N1 Coefficient MSB The 16-bit integer contained in the MSB and LSB registers for this coefficient are interpreted as a 2's complement integer, with possible values ranging from –32768 to +32767. |

**Table 141. Page 1 / Register 24: Left Channel De-emphasis Filter N1 Coefficient LSB Register**

| BIT   | READ/<br>WRITE | RESET<br>VALUE | DESCRIPTION                                                                                                                                                                                                                        |
|-------|----------------|----------------|------------------------------------------------------------------------------------------------------------------------------------------------------------------------------------------------------------------------------------|
| D7-D0 | R/W            | 00101101       | Left Channel De-emphasis Filter N1 Coefficient LSB The 16-bit integer contained in the MSB and LSB registers for this coefficient are interpreted as a 2's complement integer, with possible values ranging from –32768 to +32767. |

**Table 142. Page 1 / Register 25: Left Channel De-emphasis Filter D1 Coefficient MSB Register**

| BIT   | READ/<br>WRITE | RESET<br>VALUE | DESCRIPTION                                                                                                                                                                                                                        |
|-------|----------------|----------------|------------------------------------------------------------------------------------------------------------------------------------------------------------------------------------------------------------------------------------|
| D7-D0 | R/W            | 01010011       | Left Channel De-emphasis Filter D1 Coefficient MSB The 16-bit integer contained in the MSB and LSB registers for this coefficient are interpreted as a 2's complement integer, with possible values ranging from –32768 to +32767. |

**Table 143. Page 1 / Register 26: Left Channel De-emphasis Filter D1 Coefficient LSB Register**

| BIT   | READ/<br>WRITE | RESET<br>VALUE | DESCRIPTION                                                                                                                                                                                                                        |
|-------|----------------|----------------|------------------------------------------------------------------------------------------------------------------------------------------------------------------------------------------------------------------------------------|
| D7-D0 | R/W            | 01111110       | Left Channel De-emphasis Filter D1 Coefficient LSB The 16-bit integer contained in the MSB and LSB registers for this coefficient are interpreted as a 2's complement integer, with possible values ranging from –32768 to +32767. |

**Table 144. Page 1 / Register 27: Right Channel Audio Effects Filter N0 Coefficient MSB Register**

| BIT   | READ/<br>WRITE | RESET<br>VALUE | DESCRIPTION                                                                                                                                                                                                                           |
|-------|----------------|----------------|---------------------------------------------------------------------------------------------------------------------------------------------------------------------------------------------------------------------------------------|
| D7-D0 | R/W            | 01101011       | Right Channel Audio Effects Filter N0 Coefficient MSB The 16-bit integer contained in the MSB and LSB registers for this coefficient are interpreted as a 2's complement integer, with possible values ranging from –32768 to +32767. |

**Table 145. Page 1 / Register 28: Right Channel Audio Effects Filter N0 Coefficient LSB Register**

| BIT   | READ/<br>WRITE | RESET<br>VALUE | DESCRIPTION                                                                                                                                                                                                                           |
|-------|----------------|----------------|---------------------------------------------------------------------------------------------------------------------------------------------------------------------------------------------------------------------------------------|
| D7-D0 | R/W            | 11100011       | Right Channel Audio Effects Filter N0 Coefficient LSB The 16-bit integer contained in the MSB and LSB registers for this coefficient are interpreted as a 2's complement integer, with possible values ranging from –32768 to +32767. |

**Table 146. Page 1 / Register 29: Right Channel Audio Effects Filter N1 Coefficient MSB Register**

| BIT   | READ/<br>WRITE | RESET<br>VALUE | DESCRIPTION                                                                                                                                                                                                                           |
|-------|----------------|----------------|---------------------------------------------------------------------------------------------------------------------------------------------------------------------------------------------------------------------------------------|
| D7-D0 | R/W            | 10010110       | Right Channel Audio Effects Filter N1 Coefficient MSB The 16-bit integer contained in the MSB and LSB registers for this coefficient are interpreted as a 2's complement integer, with possible values ranging from –32768 to +32767. |

**Table 147. Page 1 / Register 30: Right Channel Audio Effects Filter N1 Coefficient LSB Register**

| BIT   | READ/<br>WRITE | RESET<br>VALUE | DESCRIPTION                                                                                                                                                                                                                           |
|-------|----------------|----------------|---------------------------------------------------------------------------------------------------------------------------------------------------------------------------------------------------------------------------------------|
| D7-D0 | R/W            | 01100110       | Right Channel Audio Effects Filter N1 Coefficient LSB The 16-bit integer contained in the MSB and LSB registers for this coefficient are interpreted as a 2's complement integer, with possible values ranging from –32768 to +32767. |

**Table 148. Page 1 / Register 31: Right Channel Audio Effects Filter N2 Coefficient MSB Register**

| BIT   | READ/<br>WRITE | RESET<br>VALUE | DESCRIPTION                                                                                                                                                                                                                           |
|-------|----------------|----------------|---------------------------------------------------------------------------------------------------------------------------------------------------------------------------------------------------------------------------------------|
| D7-D0 | R/W            | 01100111       | Right Channel Audio Effects Filter N2 Coefficient MSB The 16-bit integer contained in the MSB and LSB registers for this coefficient are interpreted as a 2's complement integer, with possible values ranging from –32768 to +32767. |

**Table 149. Page 1 / Register 32: Right Channel Audio Effects Filter N2 Coefficient LSB Register**

| BIT   | READ/<br>WRITE | RESET<br>VALUE | DESCRIPTION                                                                                                                                                                                                                           |
|-------|----------------|----------------|---------------------------------------------------------------------------------------------------------------------------------------------------------------------------------------------------------------------------------------|
| D7-D0 | R/W            | 01011101       | Right Channel Audio Effects Filter N2 Coefficient LSB The 16-bit integer contained in the MSB and LSB registers for this coefficient are interpreted as a 2's complement integer, with possible values ranging from –32768 to +32767. |

**Table 150. Page 1 / Register 33: Right Channel Audio Effects Filter N3 Coefficient MSB Register**

| BIT   | READ/<br>WRITE | RESET<br>VALUE | DESCRIPTION                                                                                                                                                                                                                           |
|-------|----------------|----------------|---------------------------------------------------------------------------------------------------------------------------------------------------------------------------------------------------------------------------------------|
| D7-D0 | R/W            | 01101011       | Right Channel Audio Effects Filter N3 Coefficient MSB The 16-bit integer contained in the MSB and LSB registers for this coefficient are interpreted as a 2's complement integer, with possible values ranging from –32768 to +32767. |

**Table 151. Page 1 / Register 34: Right Channel Audio Effects Filter N3 Coefficient LSB Register**

| BIT   | READ/<br>WRITE | RESET<br>VALUE | DESCRIPTION                                                                                                                                                                                                                           |
|-------|----------------|----------------|---------------------------------------------------------------------------------------------------------------------------------------------------------------------------------------------------------------------------------------|
| D7-D0 | R/W            | 11100011       | Right Channel Audio Effects Filter N3 Coefficient LSB The 16-bit integer contained in the MSB and LSB registers for this coefficient are interpreted as a 2's complement integer, with possible values ranging from –32768 to +32767. |

**Table 152. Page 1 / Register 35: Right Channel Audio Effects Filter N4 Coefficient MSB Register**

| BIT   | READ/<br>WRITE | RESET<br>VALUE | DESCRIPTION                                                                                                                                                                                                                           |
|-------|----------------|----------------|---------------------------------------------------------------------------------------------------------------------------------------------------------------------------------------------------------------------------------------|
| D7-D0 | R/W            | 10010110       | Right Channel Audio Effects Filter N4 Coefficient MSB The 16-bit integer contained in the MSB and LSB registers for this coefficient are interpreted as a 2's complement integer, with possible values ranging from –32768 to +32767. |

**Table 153. Page 1 / Register 36: Right Channel Audio Effects Filter N4 Coefficient LSB Register**

| BIT   | READ/<br>WRITE | RESET<br>VALUE | DESCRIPTION                                                                                                                                                                                                                           |
|-------|----------------|----------------|---------------------------------------------------------------------------------------------------------------------------------------------------------------------------------------------------------------------------------------|
| D7-D0 | R/W            | 01100110       | Right Channel Audio Effects Filter N4 Coefficient LSB The 16-bit integer contained in the MSB and LSB registers for this coefficient are interpreted as a 2's complement integer, with possible values ranging from –32768 to +32767. |

**Table 154. Page 1 / Register 37: Right Channel Audio Effects Filter N5 Coefficient MSB Register**

| BIT   | READ/<br>WRITE | RESET<br>VALUE | DESCRIPTION                                                                                                                                                                                                                           |
|-------|----------------|----------------|---------------------------------------------------------------------------------------------------------------------------------------------------------------------------------------------------------------------------------------|
| D7-D0 | R/W            | 01100111       | Right Channel Audio Effects Filter N5 Coefficient MSB The 16-bit integer contained in the MSB and LSB registers for this coefficient are interpreted as a 2's complement integer, with possible values ranging from –32768 to +32767. |

**Table 155. Page 1 / Register 38: Right Channel Audio Effects Filter N5 Coefficient LSB Register**

| BIT   | READ/<br>WRITE | RESET<br>VALUE | DESCRIPTION                                                                                                                                                                                                                           |
|-------|----------------|----------------|---------------------------------------------------------------------------------------------------------------------------------------------------------------------------------------------------------------------------------------|
| D7-D0 | R/W            | 01011101       | Right Channel Audio Effects Filter N5 Coefficient LSB The 16-bit integer contained in the MSB and LSB registers for this coefficient are interpreted as a 2's complement integer, with possible values ranging from –32768 to +32767. |

**Table 156. Page 1 / Register 39: Right Channel Audio Effects Filter D1 Coefficient MSB Register**

| BIT   | READ/<br>WRITE | RESET<br>VALUE | DESCRIPTION                                                                                                                                                                                                                           |
|-------|----------------|----------------|---------------------------------------------------------------------------------------------------------------------------------------------------------------------------------------------------------------------------------------|
| D7-D0 | R/W            | 01111101       | Right Channel Audio Effects Filter D1 Coefficient MSB The 16-bit integer contained in the MSB and LSB registers for this coefficient are interpreted as a 2's complement integer, with possible values ranging from –32768 to +32767. |

**Table 157. Page 1 / Register 40: Right Channel Audio Effects Filter D1 Coefficient LSB Register**

| BIT   | READ/<br>WRITE | RESET<br>VALUE | DESCRIPTION                                                                                                                                                                                                                           |
|-------|----------------|----------------|---------------------------------------------------------------------------------------------------------------------------------------------------------------------------------------------------------------------------------------|
| D7-D0 | R/W            | 10000011       | Right Channel Audio Effects Filter D1 Coefficient LSB The 16-bit integer contained in the MSB and LSB registers for this coefficient are interpreted as a 2's complement integer, with possible values ranging from –32768 to +32767. |

**Table 158. Page 1 / Register 41: Right Channel Audio Effects Filter D2 Coefficient MSB Register**

| BIT   | READ/<br>WRITE | RESET<br>VALUE | DESCRIPTION                                                                                                                                                                                                                           |
|-------|----------------|----------------|---------------------------------------------------------------------------------------------------------------------------------------------------------------------------------------------------------------------------------------|
| D7-D0 | R/W            | 10000100       | Right Channel Audio Effects Filter D2 Coefficient MSB The 16-bit integer contained in the MSB and LSB registers for this coefficient are interpreted as a 2's complement integer, with possible values ranging from –32768 to +32767. |

**Table 159. Page 1 / Register 42: Right Channel Audio Effects Filter D2 Coefficient LSB Register**

| BIT   | READ/<br>WRITE | RESET<br>VALUE | DESCRIPTION                                                                                                                                                                                                                           |
|-------|----------------|----------------|---------------------------------------------------------------------------------------------------------------------------------------------------------------------------------------------------------------------------------------|
| D7-D0 | R/W            | 11101110       | Right Channel Audio Effects Filter D2 Coefficient LSB The 16-bit integer contained in the MSB and LSB registers for this coefficient are interpreted as a 2's complement integer, with possible values ranging from –32768 to +32767. |

**Table 160. Page 1 / Register 43: Right Channel Audio Effects Filter D4 Coefficient MSB Register**

| BIT   | READ/<br>WRITE | RESET<br>VALUE | DESCRIPTION                                                                                                                                                                                                                           |
|-------|----------------|----------------|---------------------------------------------------------------------------------------------------------------------------------------------------------------------------------------------------------------------------------------|
| D7-D0 | R/W            | 01111101       | Right Channel Audio Effects Filter D4 Coefficient MSB The 16-bit integer contained in the MSB and LSB registers for this coefficient are interpreted as a 2's complement integer, with possible values ranging from –32768 to +32767. |

**Table 161. Page 1 / Register 44: Right Channel Audio Effects Filter D4 Coefficient LSB Register**

| BIT   | READ/<br>WRITE | RESET<br>VALUE | DESCRIPTION                                                                                                                                                                                                                           |
|-------|----------------|----------------|---------------------------------------------------------------------------------------------------------------------------------------------------------------------------------------------------------------------------------------|
| D7-D0 | R/W            | 10000011       | Right Channel Audio Effects Filter D4 Coefficient LSB The 16-bit integer contained in the MSB and LSB registers for this coefficient are interpreted as a 2's complement integer, with possible values ranging from –32768 to +32767. |

**Table 162. Page 1 / Register 45: Right Channel Audio Effects Filter D5 Coefficient MSB Register**

| BIT   | READ/<br>WRITE | RESET<br>VALUE | DESCRIPTION                                                                                                                                                                                                                           |
|-------|----------------|----------------|---------------------------------------------------------------------------------------------------------------------------------------------------------------------------------------------------------------------------------------|
| D7-D0 | R/W            | 10000100       | Right Channel Audio Effects Filter D5 Coefficient MSB The 16-bit integer contained in the MSB and LSB registers for this coefficient are interpreted as a 2's complement integer, with possible values ranging from –32768 to +32767. |

**Table 163. Page 1 / Register 46: Right Channel Audio Effects Filter D5 Coefficient LSB Register**

| BIT   | READ/<br>WRITE | RESET<br>VALUE | DESCRIPTION                                                                                                                                                                                                                           |
|-------|----------------|----------------|---------------------------------------------------------------------------------------------------------------------------------------------------------------------------------------------------------------------------------------|
| D7-D0 | R/W            | 11101110       | Right Channel Audio Effects Filter D5 Coefficient LSB The 16-bit integer contained in the MSB and LSB registers for this coefficient are interpreted as a 2's complement integer, with possible values ranging from –32768 to +32767. |

**Table 164. Page 1 / Register 47: Right Channel De-emphasis Filter N0 Coefficient MSB Register**

| BIT   | READ/<br>WRITE | RESET<br>VALUE | DESCRIPTION                                                                                                                                                                                                                         |
|-------|----------------|----------------|-------------------------------------------------------------------------------------------------------------------------------------------------------------------------------------------------------------------------------------|
| D7-D0 | R/W            | 00111001       | Right Channel De-emphasis Filter N0 Coefficient MSB The 16-bit integer contained in the MSB and LSB registers for this coefficient are interpreted as a 2's complement integer, with possible values ranging from –32768 to +32767. |

**Table 165. Page 1 / Register 48: Right Channel De-emphasis Filter N0 Coefficient LSB Register**

| BIT   | READ/<br>WRITE | RESET<br>VALUE | DESCRIPTION                                                                                                                                                                                                                         |
|-------|----------------|----------------|-------------------------------------------------------------------------------------------------------------------------------------------------------------------------------------------------------------------------------------|
| D7-D0 | R/W            | 01010101       | Right Channel De-emphasis Filter N0 Coefficient LSB The 16-bit integer contained in the MSB and LSB registers for this coefficient are interpreted as a 2's complement integer, with possible values ranging from –32768 to +32767. |

**Table 166. Page 1 / Register 49: Right Channel De-emphasis Filter N1 Coefficient MSB Register**

| BIT   | READ/<br>WRITE | RESET<br>VALUE | DESCRIPTION                                                                                                                                                                                                                         |
|-------|----------------|----------------|-------------------------------------------------------------------------------------------------------------------------------------------------------------------------------------------------------------------------------------|
| D7-D0 | R/W            | 11110011       | Right Channel De-emphasis Filter N1 Coefficient MSB The 16-bit integer contained in the MSB and LSB registers for this coefficient are interpreted as a 2's complement integer, with possible values ranging from –32768 to +32767. |

**Table 167. Page 1 / Register 50: Right Channel De-emphasis Filter N1 Coefficient LSB Register**

| BIT   | READ/<br>WRITE | RESET<br>VALUE | DESCRIPTION                                                                                                                                                                                                                         |
|-------|----------------|----------------|-------------------------------------------------------------------------------------------------------------------------------------------------------------------------------------------------------------------------------------|
| D7-D0 | R/W            | 00101101       | Right Channel De-emphasis Filter N1 Coefficient LSB The 16-bit integer contained in the MSB and LSB registers for this coefficient are interpreted as a 2's complement integer, with possible values ranging from –32768 to +32767. |

**Table 168. Page 1 / Register 51: Right Channel De-emphasis Filter D1 Coefficient MSB Register**

| BIT   | READ/<br>WRITE | RESET<br>VALUE | DESCRIPTION                                                                                                                                                                                                                         |
|-------|----------------|----------------|-------------------------------------------------------------------------------------------------------------------------------------------------------------------------------------------------------------------------------------|
| D7-D0 | R/W            | 01010011       | Right Channel De-emphasis Filter D1 Coefficient MSB The 16-bit integer contained in the MSB and LSB registers for this coefficient are interpreted as a 2's complement integer, with possible values ranging from –32768 to +32767. |

**Table 169. Page 1 / Register 52: Right Channel De-emphasis Filter D1 Coefficient LSB Register**

| BIT   | READ/<br>WRITE | RESET<br>VALUE | DESCRIPTION                                                                                                                                                                                                                         |
|-------|----------------|----------------|-------------------------------------------------------------------------------------------------------------------------------------------------------------------------------------------------------------------------------------|
| D7-D0 | R/W            | 01111110       | Right Channel De-emphasis Filter D1 Coefficient LSB The 16-bit integer contained in the MSB and LSB registers for this coefficient are interpreted as a 2's complement integer, with possible values ranging from –32768 to +32767. |

**Table 170. Page 1 / Register 53: 3-D Attenuation Coefficient MSB Register**

| BIT   | READ/<br>WRITE | RESET<br>VALUE | DESCRIPTION                                                                                                                                                                                                     |
|-------|----------------|----------------|-----------------------------------------------------------------------------------------------------------------------------------------------------------------------------------------------------------------|
| D7-D0 | R/W            | 01111111       | 3-D Attenuation Coefficient MSB The 16-bit integer contained in the MSB and LSB registers for this coefficient are interpreted as a 2's complement integer, with possible values ranging from –32768 to +32767. |

**Table 171. Page 1 / Register 54: 3-D Attenuation Coefficient LSB Register**

| BIT   | READ/<br>WRITE | RESET<br>VALUE | DESCRIPTION                                                                                                                                                                                                     |
|-------|----------------|----------------|-----------------------------------------------------------------------------------------------------------------------------------------------------------------------------------------------------------------|
| D7-D0 | R/W            | 11111111       | 3-D Attenuation Coefficient LSB The 16-bit integer contained in the MSB and LSB registers for this coefficient are interpreted as a 2's complement integer, with possible values ranging from –32768 to +32767. |

**Table 172. Page 1 / Register 55–64: Reserved Registers**

| BIT   | READ/<br>WRITE | RESET<br>VALUE | DESCRIPTION                                |
|-------|----------------|----------------|--------------------------------------------|
| D7-D0 | R              | 00000000       | Reserved. Do not write to these registers. |

**Table 173. Page 1 / Register 65: Left Channel ADC High Pass Filter N0 Coefficient MSB Register**

| BIT   | READ/<br>WRITE | RESET<br>VALUE | DESCRIPTION                                                                                                                                                                                                                          |
|-------|----------------|----------------|--------------------------------------------------------------------------------------------------------------------------------------------------------------------------------------------------------------------------------------|
| D7-D0 | R/W            | 00111001       | Left Channel ADC High Pass Filter N0 Coefficient MSB The 16-bit integer contained in the MSB and LSB registers for this coefficient are interpreted as a 2's complement integer, with possible values ranging from -32768 to +32767. |

**Table 174. Page 1 / Register 66: Left Channel ADC High Pass Filter N0 Coefficient LSB Register**

| BIT   | READ/<br>WRITE | RESET<br>VALUE | DESCRIPTION                                                                                                                                                                                                                          |
|-------|----------------|----------------|--------------------------------------------------------------------------------------------------------------------------------------------------------------------------------------------------------------------------------------|
| D7-D0 | R/W            | 01010101       | Left Channel ADC High Pass Filter N0 Coefficient LSB The 16-bit integer contained in the MSB and LSB registers for this coefficient are interpreted as a 2's complement integer, with possible values ranging from -32768 to +32767. |

**Table 175. Page 1 / Register 67: Left Channel ADC High Pass Filter N1 Coefficient MSB Register**

| BIT   | READ/<br>WRITE | RESET<br>VALUE | DESCRIPTION                                                                                                                                                                                                                          |
|-------|----------------|----------------|--------------------------------------------------------------------------------------------------------------------------------------------------------------------------------------------------------------------------------------|
| D7-D0 | R/W            | 11110011       | Left Channel ADC High Pass Filter N1 Coefficient MSB The 16-bit integer contained in the MSB and LSB registers for this coefficient are interpreted as a 2's complement integer, with possible values ranging from -32768 to +32767. |

**Table 176. Page 1 / Register 68: Left Channel ADC High Pass Filter N1 Coefficient LSB Register**

| BIT   | READ/<br>WRITE | RESET<br>VALUE | DESCRIPTION                                                                                                                                                                                                                          |
|-------|----------------|----------------|--------------------------------------------------------------------------------------------------------------------------------------------------------------------------------------------------------------------------------------|
| D7-D0 | R/W            | 00101101       | Left Channel ADC High Pass Filter N1 Coefficient LSB The 16-bit integer contained in the MSB and LSB registers for this coefficient are interpreted as a 2's complement integer, with possible values ranging from -32768 to +32767. |

**Table 177. Page 1 / Register 69: Left Channel ADC High Pass Filter D1 Coefficient MSB Register**

| BIT   | READ/<br>WRITE | RESET<br>VALUE | DESCRIPTION                                                                                                                                                                                                                          |
|-------|----------------|----------------|--------------------------------------------------------------------------------------------------------------------------------------------------------------------------------------------------------------------------------------|
| D7-D0 | R/W            | 01010011       | Left Channel ADC High Pass Filter D1 Coefficient MSB The 16-bit integer contained in the MSB and LSB registers for this coefficient are interpreted as a 2's complement integer, with possible values ranging from -32768 to +32767. |

**Table 178. Page 1 / Register 70: Left Channel ADC High Pass Filter D1 Coefficient LSB Register**

| BIT   | READ/<br>WRITE | RESET<br>VALUE | DESCRIPTION                                                                                                                                                                                                                          |
|-------|----------------|----------------|--------------------------------------------------------------------------------------------------------------------------------------------------------------------------------------------------------------------------------------|
| D7-D0 | R/W            | 01111110       | Left Channel ADC High Pass Filter D1 Coefficient LSB The 16-bit integer contained in the MSB and LSB registers for this coefficient are interpreted as a 2's complement integer, with possible values ranging from -32768 to +32767. |

**Table 179. Page 1 / Register 71: Right Channel ADC High Pass Filter N0 Coefficient MSB Register**

| BIT   | READ/<br>WRITE | RESET<br>VALUE | DESCRIPTION                                                                                                                                                                                                                           |
|-------|----------------|----------------|---------------------------------------------------------------------------------------------------------------------------------------------------------------------------------------------------------------------------------------|
| D7-D0 | R/W            | 00111001       | Right Channel ADC High Pass Filter N0 Coefficient MSB The 16-bit integer contained in the MSB and LSB registers for this coefficient are interpreted as a 2's complement integer, with possible values ranging from -32768 to +32767. |

**Table 180. Page 1 / Register 72: Right Channel ADC High Pass Filter N0 Coefficient LSB Register**

| BIT   | READ/<br>WRITE | RESET<br>VALUE | DESCRIPTION                                                                                                                                                                                                                           |
|-------|----------------|----------------|---------------------------------------------------------------------------------------------------------------------------------------------------------------------------------------------------------------------------------------|
| D7-D0 | R/W            | 01010101       | Right Channel ADC High Pass Filter N0 Coefficient LSB The 16-bit integer contained in the MSB and LSB registers for this coefficient are interpreted as a 2's complement integer, with possible values ranging from -32768 to +32767. |

**Table 181. Page 1 / Register 73: Right Channel ADC High Pass Filter N1 Coefficient MSB Register**

| BIT   | READ/<br>WRITE | RESET<br>VALUE | DESCRIPTION                                                                                                                                                                                                                           |
|-------|----------------|----------------|---------------------------------------------------------------------------------------------------------------------------------------------------------------------------------------------------------------------------------------|
| D7-D0 | R/W            | 11110011       | Right Channel ADC High Pass Filter N1 Coefficient MSB The 16-bit integer contained in the MSB and LSB registers for this coefficient are interpreted as a 2's complement integer, with possible values ranging from -32768 to +32767. |

**Table 182. Page 1 / Register 74: Right Channel ADC High Pass Filter N1 Coefficient LSB Register**

| BIT   | READ/<br>WRITE | RESET<br>VALUE | DESCRIPTION                                                                                                                                                                                                                           |
|-------|----------------|----------------|---------------------------------------------------------------------------------------------------------------------------------------------------------------------------------------------------------------------------------------|
| D7-D0 | R/W            | 00101101       | Right Channel ADC High Pass Filter N1 Coefficient LSB The 16-bit integer contained in the MSB and LSB registers for this coefficient are interpreted as a 2's complement integer, with possible values ranging from -32768 to +32767. |

**Table 183. Page 1 / Register 75: Right Channel ADC High Pass Filter D1 Coefficient MSB Register**

| BIT   | READ/<br>WRITE | RESET<br>VALUE | DESCRIPTION                                                                                                                                                                                                                           |
|-------|----------------|----------------|---------------------------------------------------------------------------------------------------------------------------------------------------------------------------------------------------------------------------------------|
| D7-D0 | R/W            | 01010011       | Right Channel ADC High Pass Filter D1 Coefficient MSB The 16-bit integer contained in the MSB and LSB registers for this coefficient are interpreted as a 2's complement integer, with possible values ranging from -32768 to +32767. |

**Table 184. Page 1 / Register 76: Right Channel ADC High Pass Filter D1 Coefficient LSB Register**

| BIT   | READ/<br>WRITE | RESET<br>VALUE | DESCRIPTION                                                                                                                                                                                                                           |
|-------|----------------|----------------|---------------------------------------------------------------------------------------------------------------------------------------------------------------------------------------------------------------------------------------|
| D7-D0 | R/W            | 01111110       | Right Channel ADC High Pass Filter D1 Coefficient LSB The 16-bit integer contained in the MSB and LSB registers for this coefficient are interpreted as a 2's complement integer, with possible values ranging from -32768 to +32767. |

**Table 185. Page 1 / Register 77-127: Reserved Registers**

| BIT   | READ/<br>WRITE | RESET<br>VALUE | DESCRIPTION                                |
|-------|----------------|----------------|--------------------------------------------|
| D7-D0 | R              | 00000000       | Reserved. Do not write to these registers. |

## 11 Application and Implementation

### NOTE

Information in the following applications sections is not part of the TI component specification, and TI does not warrant its accuracy or completeness. TI's customers are responsible for determining suitability of components for their purposes. Customers should validate and test their design implementation to confirm system functionality.

### 11.1 Application Information

The TLV320AIC3107 is a highly integrated low-power stereo audio codec with integrated stereo headphone/line, and mono class D amplifier, as well as multiple inputs and outputs that are programmable in single-ended or fully differential configurations. All the features of the TLV320AIC3107 are accessed by programmable registers. External processor with I2C protocol is required to control the device. It is good practice to perform a hardware reset after initial power up to ensure that all registers are in their default states. Extensive register-based power control is included, enabling stereo 48-kHz DAC playback as low as 14-mW from a 3.3-V analog supply, making it ideal for portable battery-powered audio and telephony applications.

### 11.2 Typical Application

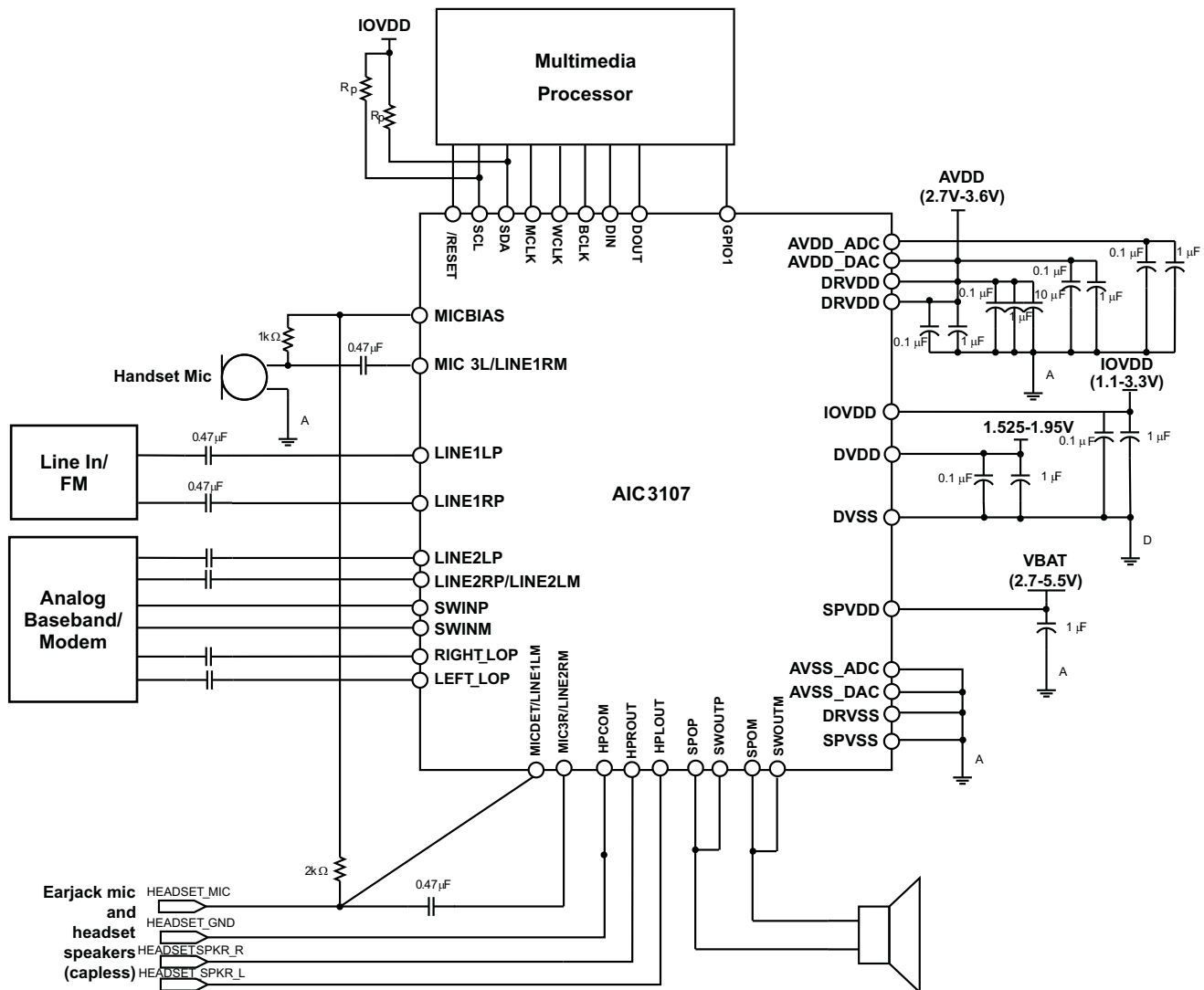


Figure 37. Typical Connections for Capless Headphone and External Speaker Amp

## Typical Application (continued)

### 11.2.1 Design Requirements

For this design example, use the parameters shown in Table 186.

Table 186. Design Parameters

| PARAMETER                                         | VALUE         |
|---------------------------------------------------|---------------|
| Supply Voltage (AVDD, DRVDD)                      | 3.3 V         |
| Supply Voltage (DVDD, IOVDD)                      | 1.8 V         |
| Analog High-Power Output Driver Load              | 16 $\Omega$   |
| Analog Fully Differential Line Output Driver Load | 10 k $\Omega$ |
| Class D Audio Amplifier Load                      | 18 $\Omega$   |

### 11.2.2 Detailed Design Procedure

- Use the Typical Application Schematic as a guide, integrate the hardware into the system.
- Following the recommended component placement, schematic layout and routing given in the Figure 41 below, integrate the device and its supporting components into the system PCB.
  - For questions and support go to the E2E forums ([e2e.ti.com](http://e2e.ti.com)). If it is necessary to deviate from the recommended layout, please visit the E2E forum to request a layout review.
- Determining sample rate and Master clock frequency is required since powering up the device as all internal timing is derived from the master clock. Refer to the [Audio Clock Generation](#) section in order to get more information on how to configure correctly the required clocks for the device.
- As the TLV320AIC3107 is designed for low-power applications, when powered up, the device has several features powered down. A correct routing of the TLV320AIC3107 signals is achieved by a correct setting of the device registers, powering up the required stages of the device and configuring the internal switches to follow a desired route.
- For more information of the device configuration and programming, refer to the TLV320AIC3107 technical documents section in ti.com (<http://www.ti.com/product/TLV320AIC3105/technicaldocuments>).

### 11.2.3 Application Curves

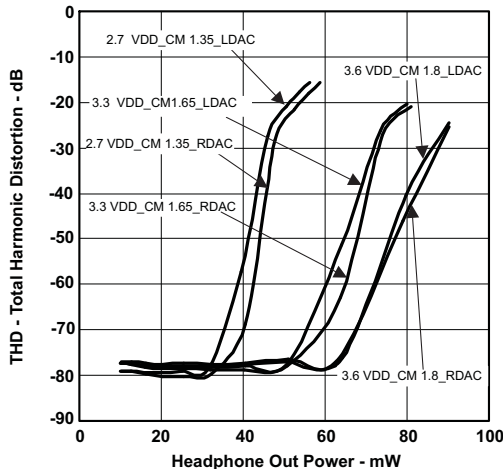


Figure 38. Total Harmonic Distortion vs Headphone Out Power

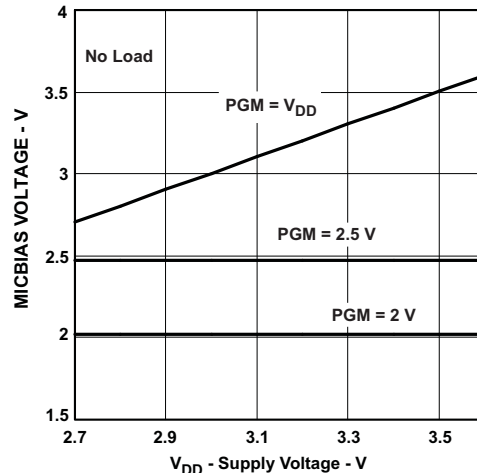
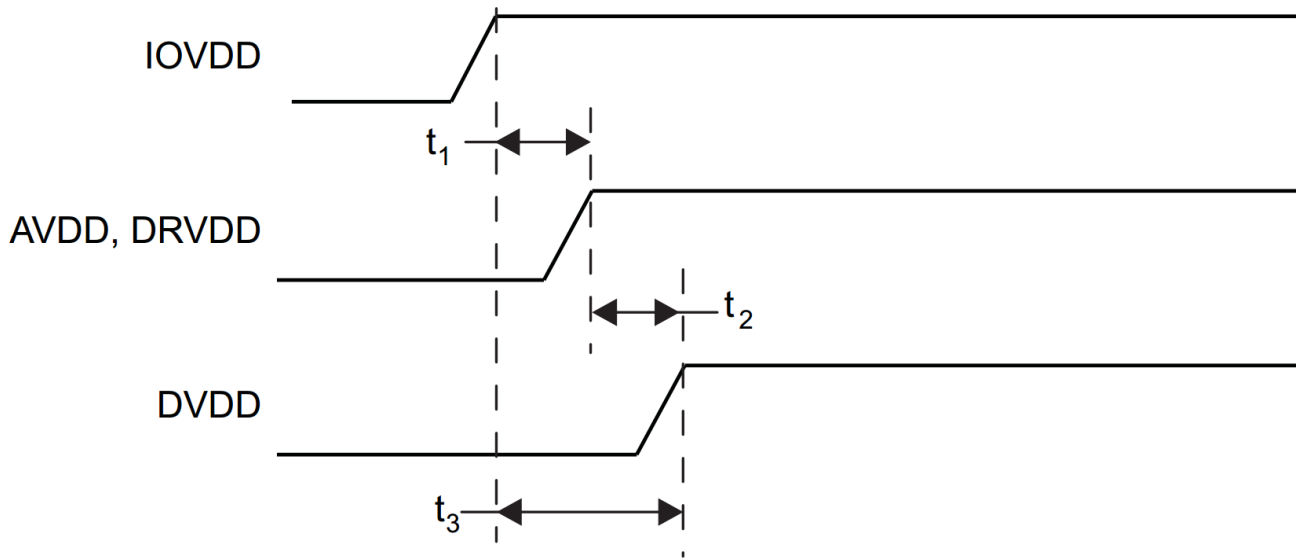


Figure 39. MICBIAS Voltage vs Supply Voltage

## 12 Power Supply Recommendations

The TLV320AIC3107 has been designed to be extremely tolerant of power supply sequencing. However, in some rare instances, unexpected conditions can be attributed to power supply sequencing. The following sequence will provide the most robust operation.

IOVDD should be powered up first. The analog supplies, which include AVDD and DRVDD, should be powered up second. The digital supply DVDD should be powered up last. Keep RESET low until all supplies are stable. The analog supplies should be greater than or equal to DVDD at all times.



**Figure 40. TLV320AIC3107 Power Supply Sequencing**

| SYMBOL | PARAMETER            | MIN | MAX | UNIT |
|--------|----------------------|-----|-----|------|
| $t_1$  | IOVDD to AVDD, DRVDD | 0   |     | ms   |
| $t_2$  | AVDD to DVDD         | 0   | 4   |      |
| $t_3$  | IOVDD to DVDD        | 0   |     |      |

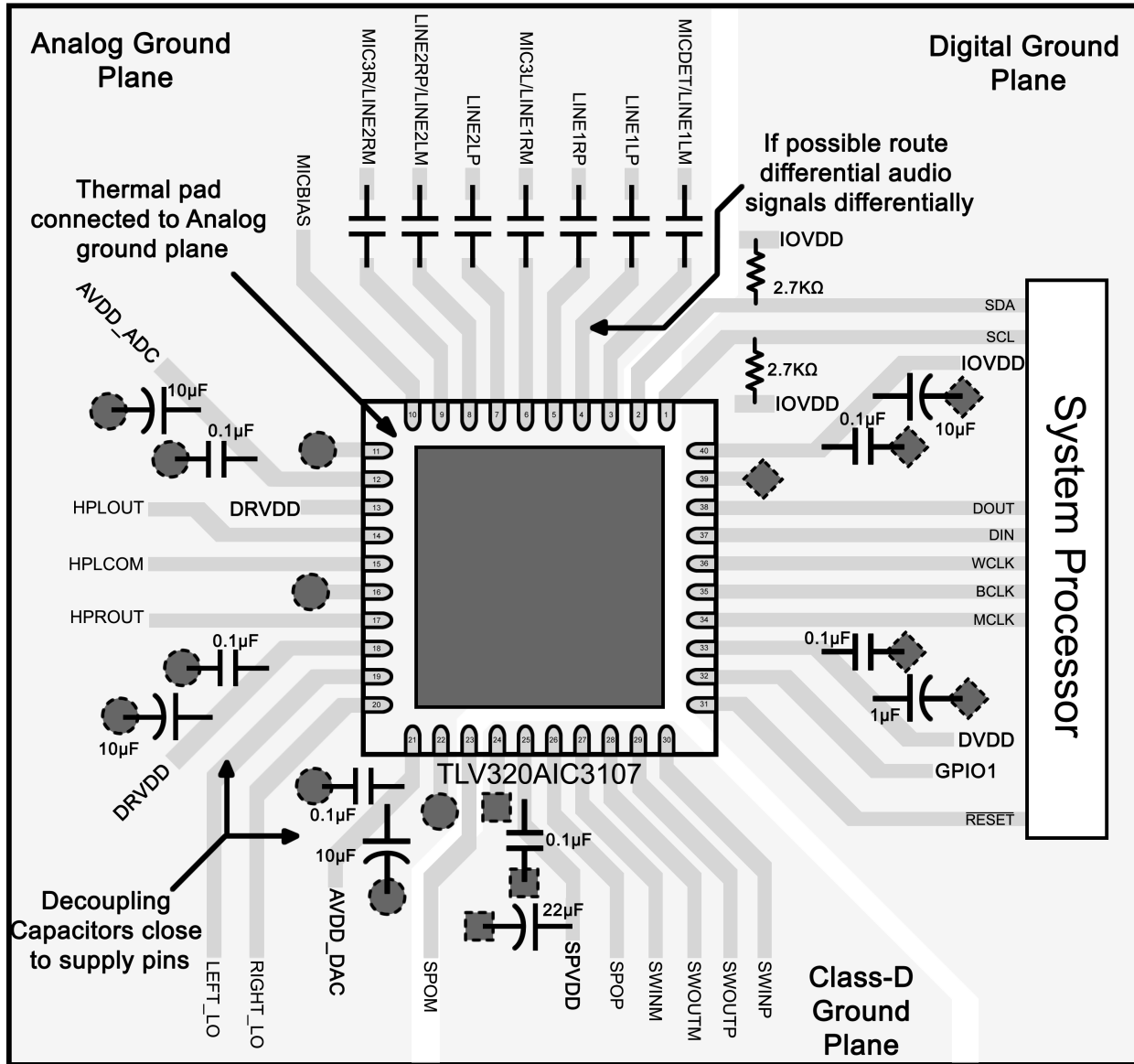
## 13 Layout

### 13.1 Layout Guidelines

PCB design is made considering the application, and the review is specific for each system requirements. However, general considerations can optimize the system performance.

- The TLV320AIC3107IRSB thermal pad should be connected to analog output driver ground using multiple VIAS to minimize impedance between the device and ground.
- SPVSS balls of TLV320AIC3107IYZF are recommended to be soldered directly to Class-D ground.
- SPVSS balls of TLV320AIC3107IYZF are recommended to be soldered directly to Class-D ground.
- The TLV320AIC3107 requires the decoupling capacitors to be placed as close as possible to the device power supply terminals.
- If possible, route the differential audio signals differentially on the PCB. This is recommended to get better noise immunity.

13.2 Layout Example








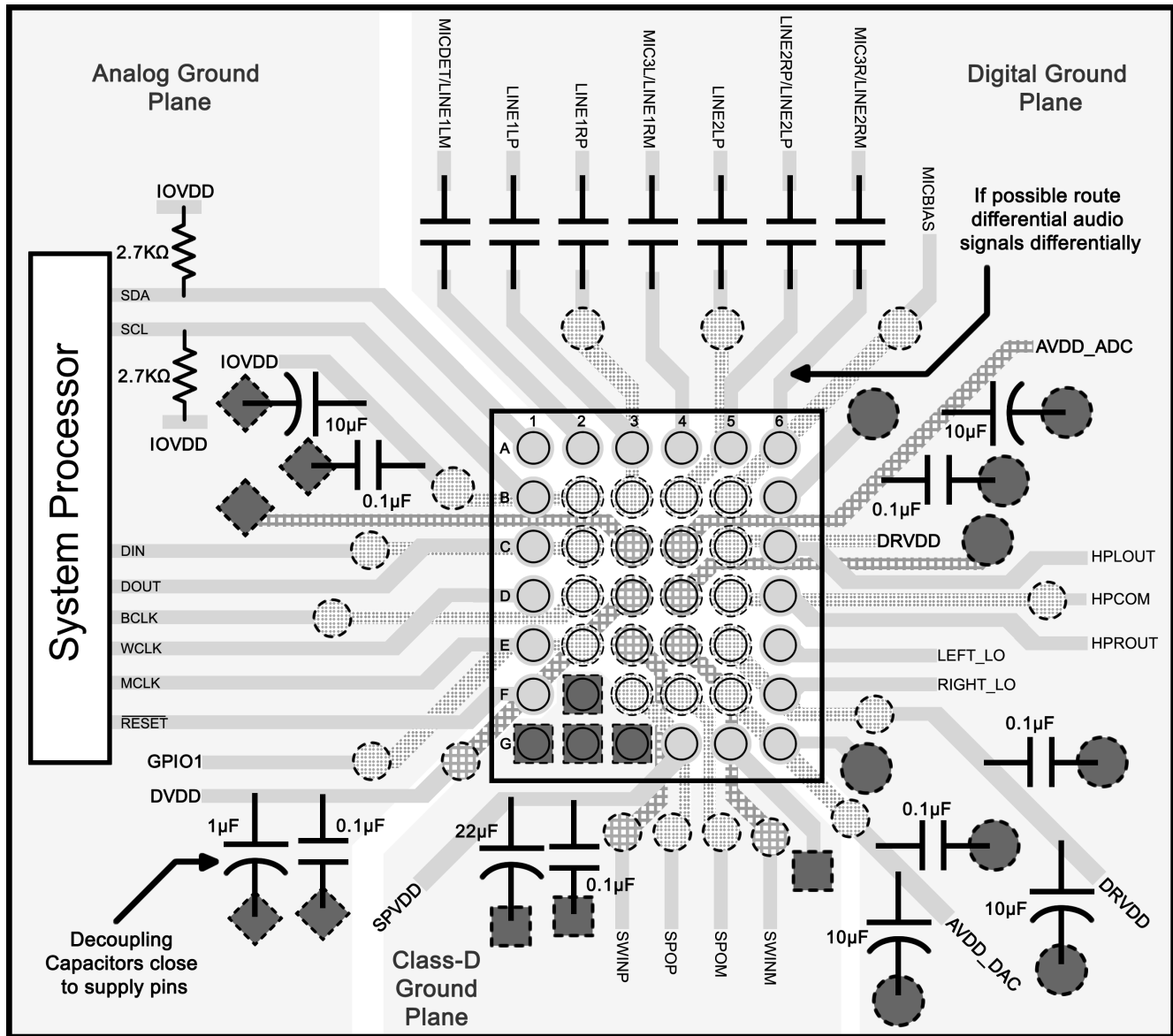
-  Via To Analog Ground Layer
-  Via To Digital Ground Layer
-  Via To Class-D Ground Layer
-  Top Layer Signal Traces
-  Ground Layer

Figure 41. AIC3107 WQFN Layout Example

Layout Example (continued)












-  Via To Analog Ground Layer
-  Via To Digital Ground Layer
-  Via To Class-D Ground Layer
-  Via To Internal Layer
-  Via To Bottom Layer
-  Ground Plane
-  Top Layer Signal Traces
-  Internal Layer Signal Traces
-  Bottom Layer Signal Traces

Figure 42. AIC3107 DSBGA Layout Example

## 14 Device and Documentation Support

### 14.1 Trademarks

I<sup>2</sup>C is a trademark of Philips Electronics.  
All other trademarks are the property of their respective owners.

### 14.2 Electrostatic Discharge Caution



These devices have limited built-in ESD protection. The leads should be shorted together or the device placed in conductive foam during storage or handling to prevent electrostatic damage to the MOS gates.

### 14.3 Glossary

[SLYZ022](#) — *TI Glossary*.

This glossary lists and explains terms, acronyms, and definitions.

## 15 Mechanical, Packaging, and Orderable Information

The following pages include mechanical, packaging, and orderable information. This information is the most current data available for the designated devices. This data is subject to change without notice and revision of this document. For browser-based versions of this data sheet, refer to the left-hand navigation.

**PACKAGING INFORMATION**

| Orderable part number              | Status<br>(1) | Material type<br>(2) | Package   Pins   | Package qty   Carrier | RoHS<br>(3) | Lead finish/<br>Ball material<br>(4) | MSL rating/<br>Peak reflow<br>(5) | Op temp (°C) | Part marking<br>(6) |
|------------------------------------|---------------|----------------------|------------------|-----------------------|-------------|--------------------------------------|-----------------------------------|--------------|---------------------|
| <a href="#">TLV320AIC3107IRSBR</a> | Active        | Production           | WQFN (RSB)   40  | 3000   LARGE T&R      | Yes         | NIPDAU                               | Level-2-260C-1 YEAR               | -40 to 85    | AIC<br>3107I        |
| TLV320AIC3107IRSBR.A               | Active        | Production           | WQFN (RSB)   40  | 3000   LARGE T&R      | Yes         | NIPDAU                               | Level-2-260C-1 YEAR               | -40 to 85    | AIC<br>3107I        |
| <a href="#">TLV320AIC3107IRSBT</a> | Active        | Production           | WQFN (RSB)   40  | 250   SMALL T&R       | Yes         | NIPDAU                               | Level-2-260C-1 YEAR               | -40 to 85    | AIC<br>3107I        |
| TLV320AIC3107IRSBT.A               | Active        | Production           | WQFN (RSB)   40  | 250   SMALL T&R       | Yes         | NIPDAU                               | Level-2-260C-1 YEAR               | -40 to 85    | AIC<br>3107I        |
| <a href="#">TLV320AIC3107IYZFR</a> | Active        | Production           | DSBGA (YZF)   42 | 3000   LARGE T&R      | Yes         | SNAGCU                               | Level-1-260C-UNLIM                | -40 to 85    | AIC3107I            |
| TLV320AIC3107IYZFR.A               | Active        | Production           | DSBGA (YZF)   42 | 3000   LARGE T&R      | Yes         | SNAGCU                               | Level-1-260C-UNLIM                | -40 to 85    | AIC3107I            |
| <a href="#">TLV320AIC3107IYZFT</a> | Active        | Production           | DSBGA (YZF)   42 | 250   SMALL T&R       | Yes         | SNAGCU                               | Level-1-260C-UNLIM                | -40 to 85    | AIC3107I            |
| TLV320AIC3107IYZFT.A               | Active        | Production           | DSBGA (YZF)   42 | 250   SMALL T&R       | Yes         | SNAGCU                               | Level-1-260C-UNLIM                | -40 to 85    | AIC3107I            |

(1) **Status:** For more details on status, see our [product life cycle](#).

(2) **Material type:** When designated, preproduction parts are prototypes/experimental devices, and are not yet approved or released for full production. Testing and final process, including without limitation quality assurance, reliability performance testing, and/or process qualification, may not yet be complete, and this item is subject to further changes or possible discontinuation. If available for ordering, purchases will be subject to an additional waiver at checkout, and are intended for early internal evaluation purposes only. These items are sold without warranties of any kind.

(3) **RoHS values:** Yes, No, RoHS Exempt. See the [TI RoHS Statement](#) for additional information and value definition.

(4) **Lead finish/Ball material:** Parts may have multiple material finish options. Finish options are separated by a vertical ruled line. Lead finish/Ball material values may wrap to two lines if the finish value exceeds the maximum column width.

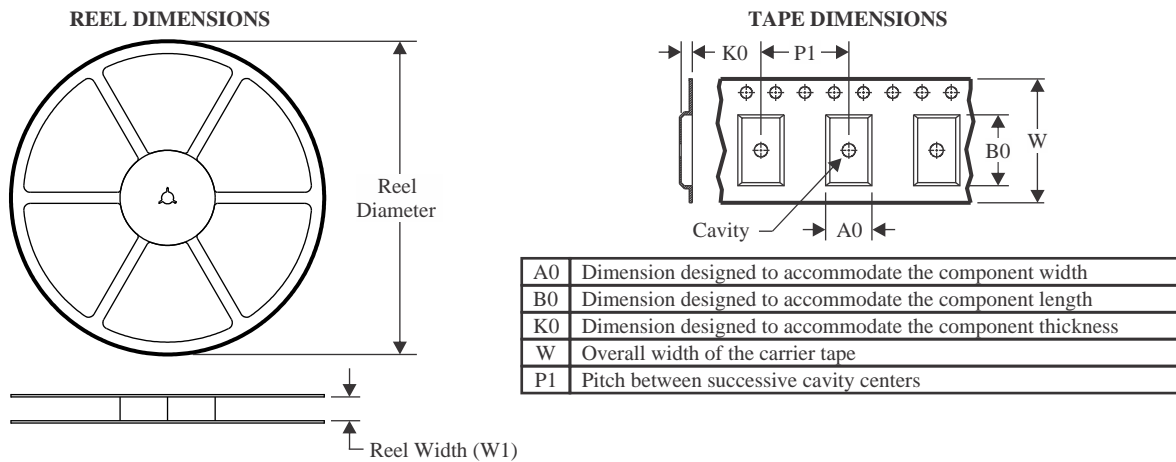
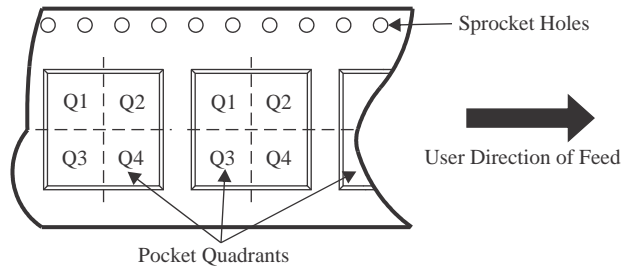
(5) **MSL rating/Peak reflow:** The moisture sensitivity level ratings and peak solder (reflow) temperatures. In the event that a part has multiple moisture sensitivity ratings, only the lowest level per JEDEC standards is shown. Refer to the shipping label for the actual reflow temperature that will be used to mount the part to the printed circuit board.

(6) **Part marking:** There may be an additional marking, which relates to the logo, the lot trace code information, or the environmental category of the part.

Multiple part markings will be inside parentheses. Only one part marking contained in parentheses and separated by a "~" will appear on a part. If a line is indented then it is a continuation of the previous line and the two combined represent the entire part marking for that device.

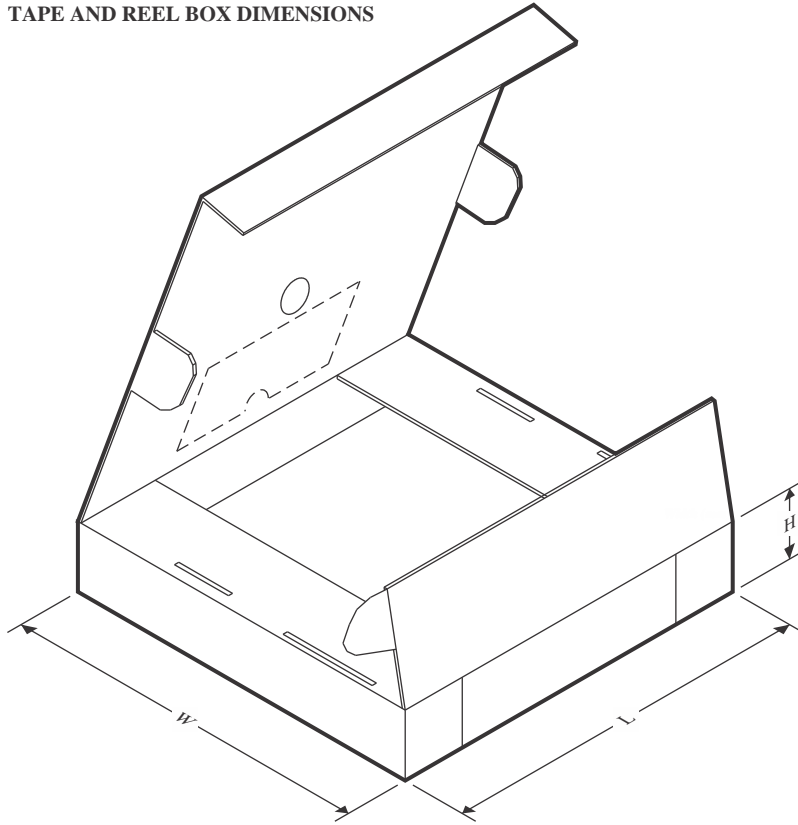
**Important Information and Disclaimer:** The information provided on this page represents TI's knowledge and belief as of the date that it is provided. TI bases its knowledge and belief on information provided by third parties, and makes no representation or warranty as to the accuracy of such information. Efforts are underway to better integrate information from third parties. TI has taken and continues to take reasonable steps to provide representative and accurate information but may not have conducted destructive testing or chemical analysis on incoming materials and chemicals. TI and TI suppliers consider certain information to be proprietary, and thus CAS numbers and other limited information may not be available for release.

In no event shall TI's liability arising out of such information exceed the total purchase price of the TI part(s) at issue in this document sold by TI to Customer on an annual basis.

**TAPE AND REEL INFORMATION**

**QUADRANT ASSIGNMENTS FOR PIN 1 ORIENTATION IN TAPE**


\*All dimensions are nominal

| Device             | Package Type | Package Drawing | Pins | SPQ  | Reel Diameter (mm) | Reel Width W1 (mm) | A0 (mm) | B0 (mm) | K0 (mm) | P1 (mm) | W (mm) | Pin1 Quadrant |
|--------------------|--------------|-----------------|------|------|--------------------|--------------------|---------|---------|---------|---------|--------|---------------|
| TLV320AIC3107IRSBR | WQFN         | RSB             | 40   | 3000 | 330.0              | 12.4               | 5.3     | 5.3     | 1.5     | 8.0     | 12.0   | Q2            |
| TLV320AIC3107IRSBT | WQFN         | RSB             | 40   | 250  | 180.0              | 12.4               | 5.3     | 5.3     | 1.5     | 8.0     | 12.0   | Q2            |

**TAPE AND REEL BOX DIMENSIONS**


\*All dimensions are nominal

| Device             | Package Type | Package Drawing | Pins | SPQ  | Length (mm) | Width (mm) | Height (mm) |
|--------------------|--------------|-----------------|------|------|-------------|------------|-------------|
| TLV320AIC3107IRSBR | WQFN         | RSB             | 40   | 3000 | 353.0       | 353.0      | 32.0        |
| TLV320AIC3107IRSBT | WQFN         | RSB             | 40   | 250  | 213.0       | 191.0      | 35.0        |

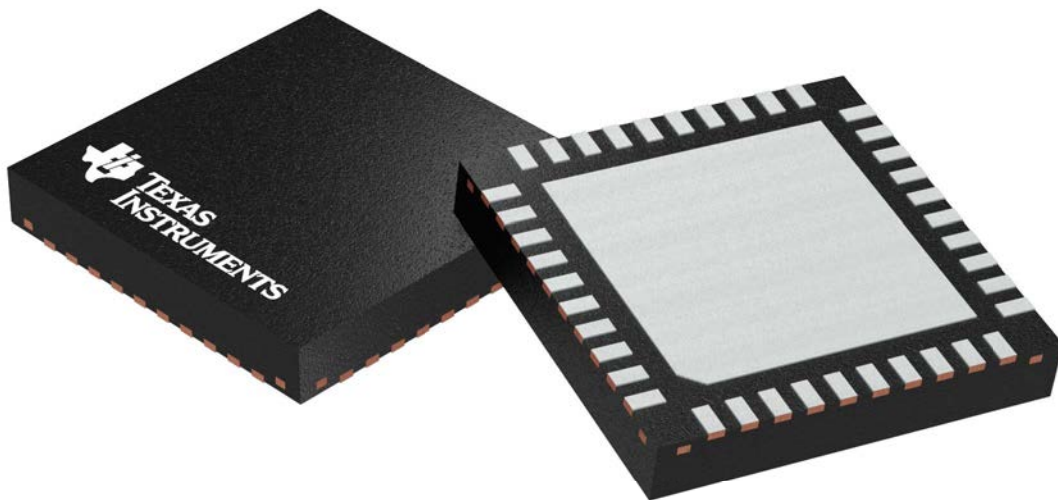
## GENERIC PACKAGE VIEW

**RSB 40**

**WQFN - 0.8 mm max height**

5 x 5 mm, 0.4 mm pitch

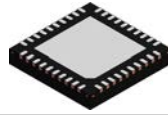
PLASTIC QUAD FLATPACK - NO LEAD



Images above are just a representation of the package family, actual package may vary.  
Refer to the product data sheet for package details.

4207182/D

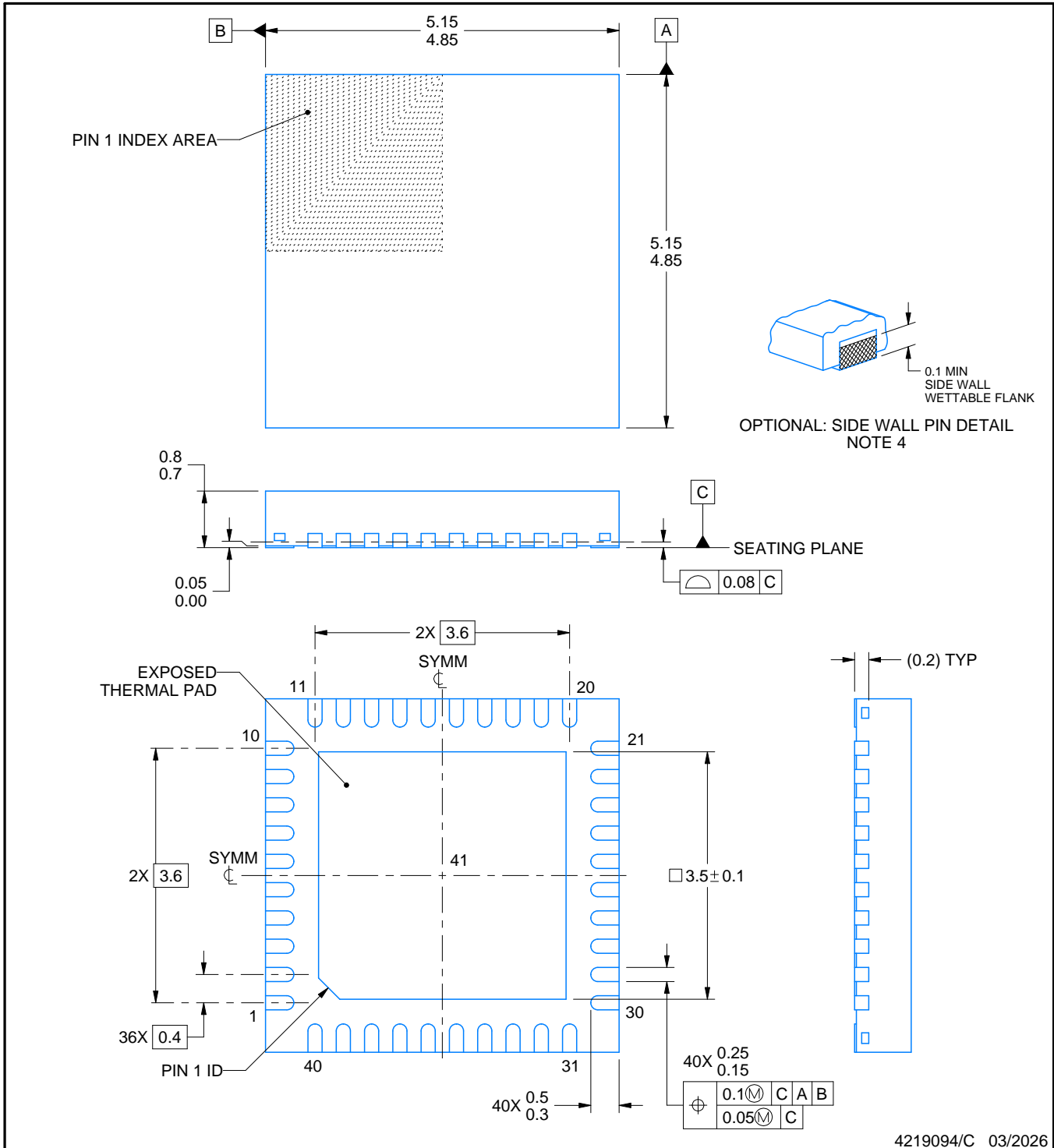
# RSB0040B



# PACKAGE OUTLINE

## WQFN - 0.8 mm max height

PLASTIC QUAD FLATPACK - NO LEAD



**NOTES:**

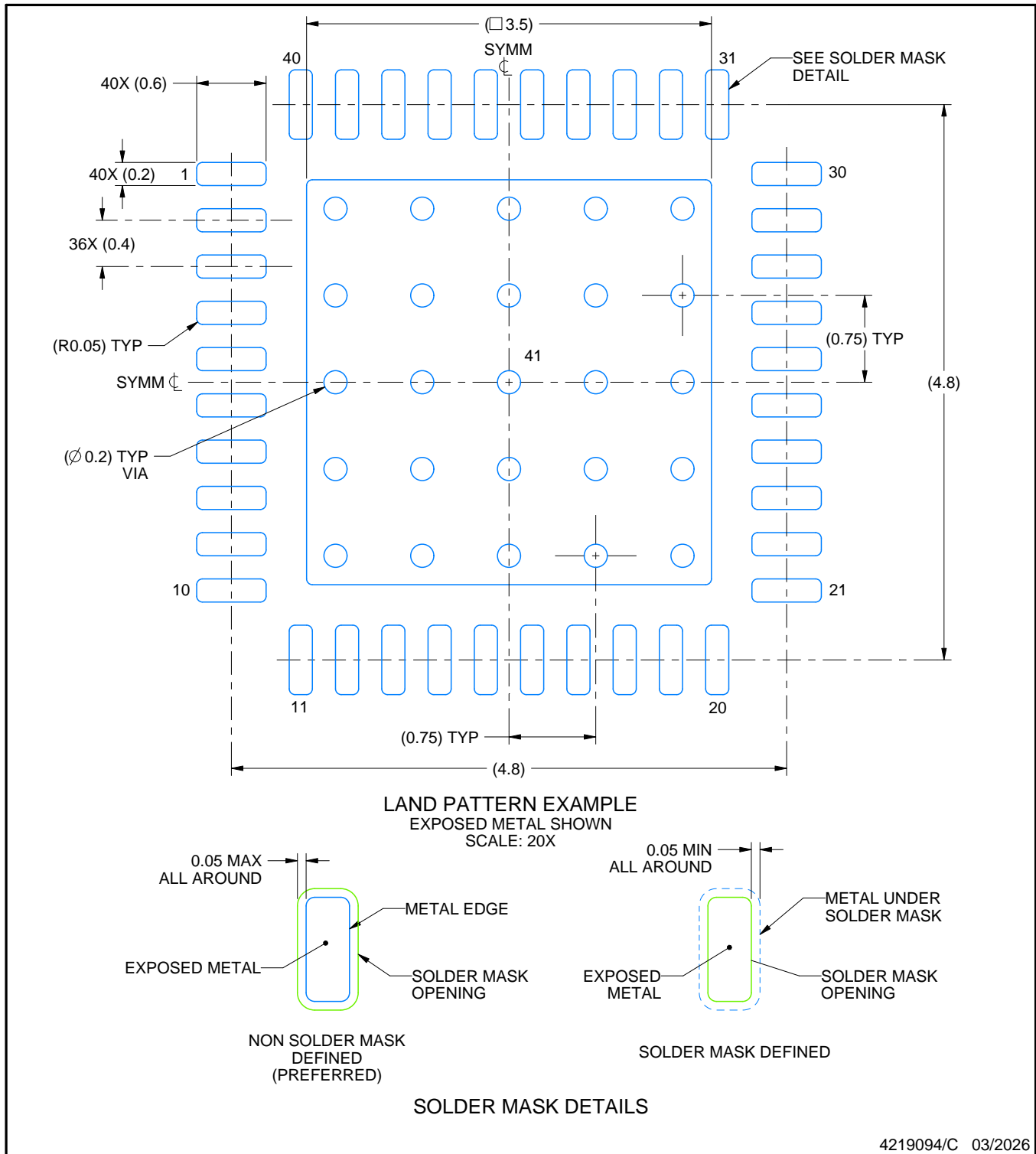
1. All linear dimensions are in millimeters. Any dimensions in parenthesis are for reference only. Dimensioning and tolerancing per ASME Y14.5M.
2. This drawing is subject to change without notice.
3. The package thermal pad must be soldered to the printed circuit board for thermal and mechanical performance.
4. Minimum 0.1 mm solder wetting on pin side wall. Available for wettable flank version only.

# EXAMPLE BOARD LAYOUT

**RSB0040B**

**WQFN - 0.8 mm max height**

PLASTIC QUAD FLATPACK - NO LEAD



4219094/C 03/2026

NOTES: (continued)

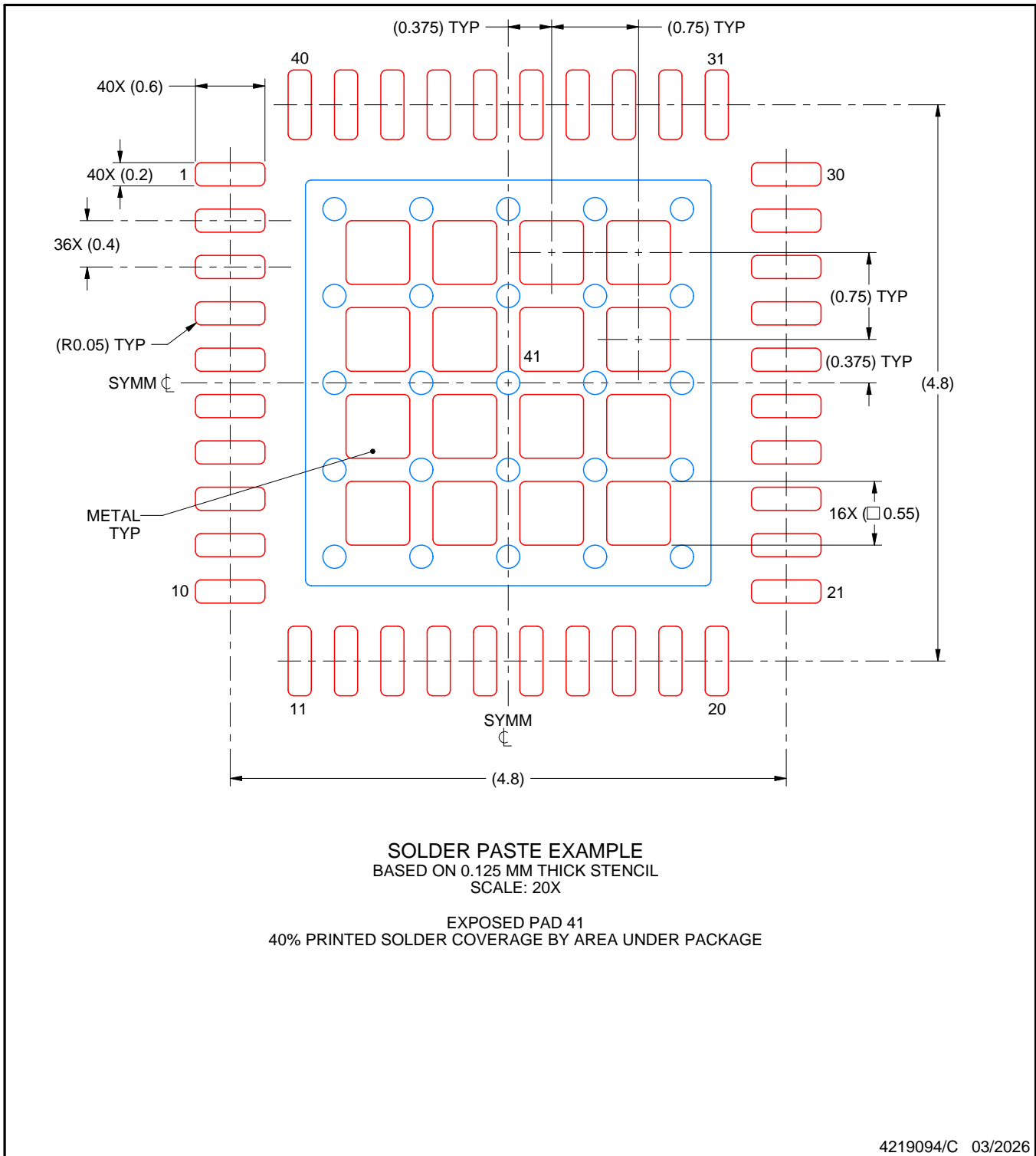
5. This package is designed to be soldered to a thermal pad on the board. For more information, see Texas Instruments literature number SLUA271 ([www.ti.com/lit/sluea271](http://www.ti.com/lit/sluea271)).
6. Vias are optional depending on application, refer to device data sheet. If any vias are implemented, refer to their locations shown on this view. It is recommended that vias under paste be filled, plugged or tented.

# EXAMPLE STENCIL DESIGN

RSB0040B

WQFN - 0.8 mm max height

PLASTIC QUAD FLATPACK - NO LEAD

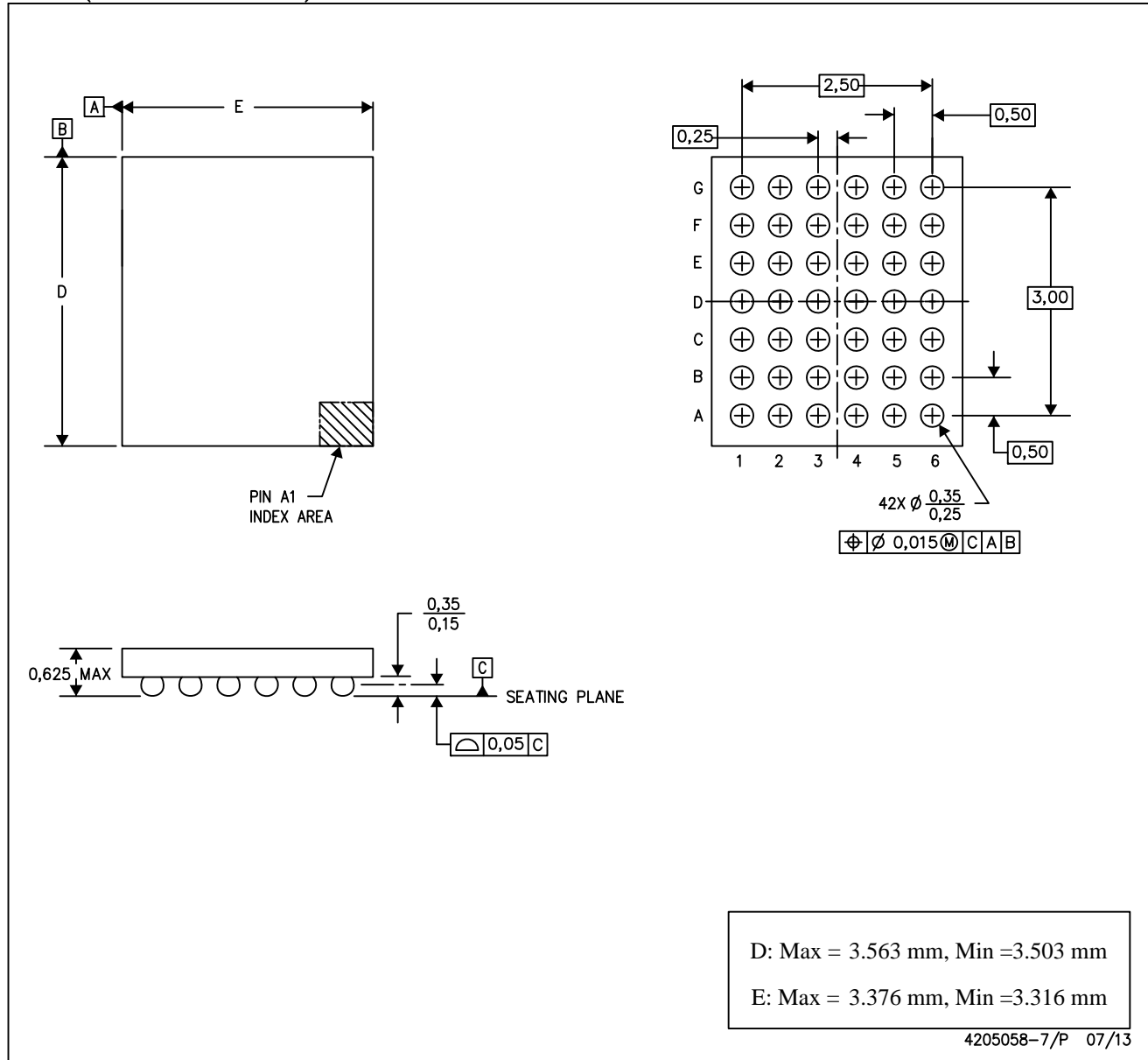


NOTES: (continued)

7. Laser cutting apertures with trapezoidal walls and rounded corners may offer better paste release. IPC-7525 may have alternate design recommendations.

YZF (R-XBGA-N42)

DIE-SIZE BALL GRID ARRAY



- NOTES:
- A. All linear dimensions are in millimeters. Dimensioning and tolerancing per ASME Y14.5M-1994.
  - B. This drawing is subject to change without notice.
  - C. NanoFree™ package configuration.

NanoFree is a trademark of Texas Instruments.

## IMPORTANT NOTICE AND DISCLAIMER

TI PROVIDES TECHNICAL AND RELIABILITY DATA (INCLUDING DATASHEETS), DESIGN RESOURCES (INCLUDING REFERENCE DESIGNS), APPLICATION OR OTHER DESIGN ADVICE, WEB TOOLS, SAFETY INFORMATION, AND OTHER RESOURCES "AS IS" AND WITH ALL FAULTS, AND DISCLAIMS ALL WARRANTIES, EXPRESS AND IMPLIED, INCLUDING WITHOUT LIMITATION ANY IMPLIED WARRANTIES OF MERCHANTABILITY, FITNESS FOR A PARTICULAR PURPOSE OR NON-INFRINGEMENT OF THIRD PARTY INTELLECTUAL PROPERTY RIGHTS.

These resources are intended for skilled developers designing with TI products. You are solely responsible for (1) selecting the appropriate TI products for your application, (2) designing, validating and testing your application, and (3) ensuring your application meets applicable standards, and any other safety, security, regulatory or other requirements.

These resources are subject to change without notice. TI grants you permission to use these resources only for development of an application that uses the TI products described in the resource. Other reproduction and display of these resources is prohibited. No license is granted to any other TI intellectual property right or to any third party intellectual property right. TI disclaims responsibility for, and you fully indemnify TI and its representatives against any claims, damages, costs, losses, and liabilities arising out of your use of these resources.

TI's products are provided subject to [TI's Terms of Sale](#), [TI's General Quality Guidelines](#), or other applicable terms available either on [ti.com](#) or provided in conjunction with such TI products. TI's provision of these resources does not expand or otherwise alter TI's applicable warranties or warranty disclaimers for TI products. Unless TI explicitly designates a product as custom or customer-specified, TI products are standard, catalog, general purpose devices.

TI objects to and rejects any additional or different terms you may propose.

Copyright © 2026, Texas Instruments Incorporated

Last updated 10/2025