

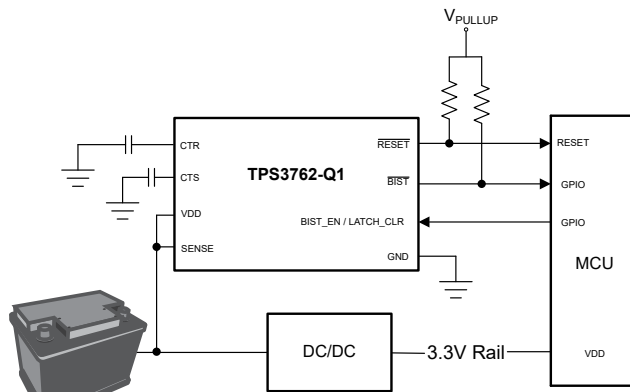
# TPS3762-Q1 Automotive 65V, 4µA, Window, Overvoltage or Undervoltage, Supervisor With Built-in Self-Test and Latch

## 1 Features

- AEC-Q100 qualified for automotive applications
  - Device temperature grade 1: -40°C to +125°C
- **Functional Safety-Compliant**
  - Developed for functional safety applications
  - [Documentation to aid ISO 26262 system design](#)
  - Systematic capability up to ASIL-D
  - Hardware capability up to ASIL-D
- Wide input voltage range: 2.7V to 65V
- Low quiescent current: 2µA
- High threshold accuracy: 1% (Max)
- -65V reverse polarity protection on SENSE
- 3µs fast OV/UV monitor for 12V/24V systems
- Fixed and programmable reset time delay
- Fixed and programmable detection delay
- TPS3762-Q1: Integrated Built-in Self-test for diagnostics
  - Built-In Self-Test monitors device for internal faults for functional safety
  - Output reset latching feature

## 2 Applications

- [Sensor fusion and cameras](#)
- [Digital cockpit processing unit](#)
- [On-board charger](#)
- [ADAS domain controller](#)



**Typical Applications Circuit**

## 3 Description

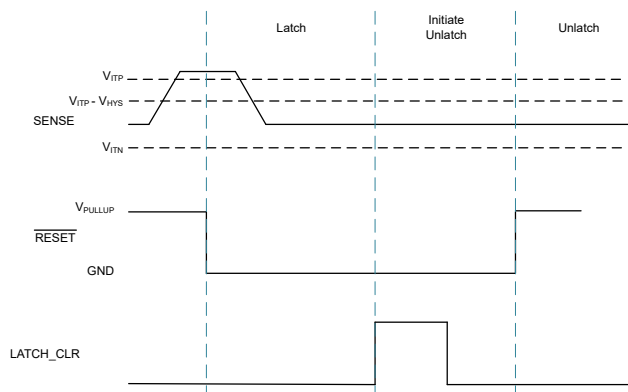
The TPS3762-Q1 is a family of 65V input voltage supervisor with 4µA I<sub>DD</sub>, 0.9% accuracy, fast detection time (3µs) and a Built-In Self-Test feature. This family of devices can be connected directly to 12V / 24V automotive battery systems for continuous monitoring of overvoltage (OV) and undervoltage (UV) conditions. Wide hysteresis voltage options are available to ignore large voltage transients and prevent false reset signals.

The TPS3762-Q1 output (Reset) that is used for OV and UV faults enabling system to take action if a fault occurs. The TPS3762-Q1 comes with BIST which is implemented at start-up to verify device health as well as an optional latching feature to help the system bring into a safe state when critical faults occurs.

### Package Information

PART NUMBER	PACKAGE <sup>(1)</sup>	PACKAGE SIZE <sup>(2)</sup>	BODY SIZE (NOM)
TPS3762-Q1	DDF(SOT-23, 8)	2.9mm × 2.8mm	2.9mm × 1.6mm

- (1) For more information, see [Section 11](#).
- (2) The package size (length × width) is a nominal value and includes pins, where applicable.



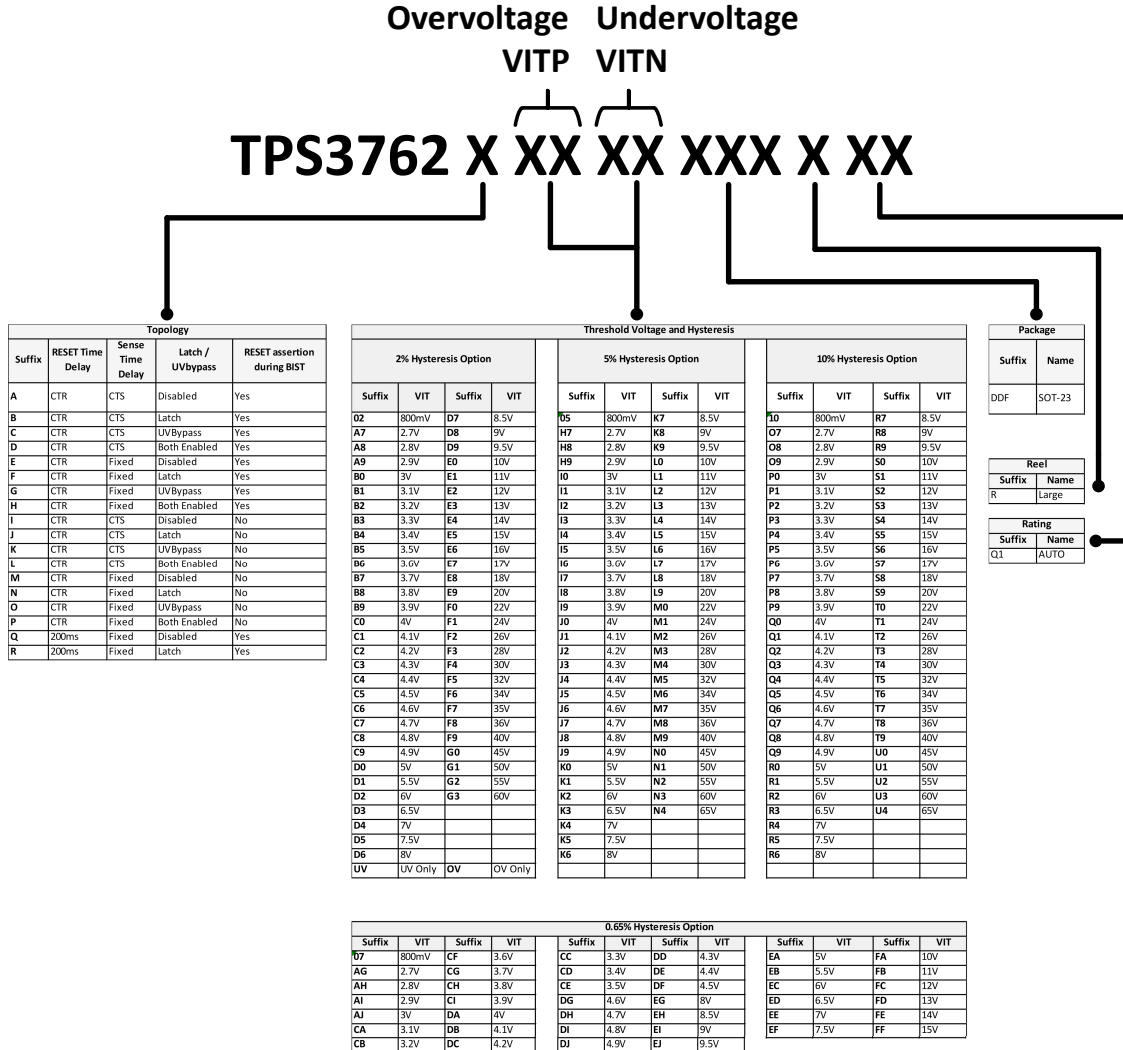
**Latch Functionality Waveform**

## Table of Contents

<b>1 Features</b> .....	1	7.3 Feature Description.....	18
<b>2 Applications</b> .....	1	7.4 Device Functional Modes.....	31
<b>3 Description</b> .....	1	<b>8 Application and Implementation</b> .....	32
<b>4 Device Comparison</b> .....	3	8.1 Application Information.....	32
4.1 Device Nomenclature.....	4	8.2 Adjustable Voltage Thresholds.....	32
<b>5 Pin Configuration and Functions</b> .....	6	8.3 Typical Application.....	33
<b>6 Specifications</b> .....	7	8.4 Power Supply Recommendations.....	37
6.1 Absolute Maximum Ratings.....	7	8.5 Layout.....	37
6.2 ESD Ratings.....	7	<b>9 Device and Documentation Support</b> .....	39
6.3 Recommended Operating Conditions.....	7	9.1 Documentation Support.....	39
6.4 Thermal Information.....	8	9.2 Receiving Notification of Documentation Updates....	39
6.5 Electrical Characteristics.....	9	9.3 Support Resources.....	39
6.6 Switching Requirements.....	11	9.4 Trademarks.....	39
6.7 Timing Requirements.....	12	9.5 Electrostatic Discharge Caution.....	39
6.8 Timing Diagrams.....	13	9.6 Glossary.....	39
6.9 Typical Characteristics.....	15	<b>10 Revision History</b> .....	39
<b>7 Detailed Description</b> .....	17	<b>11 Mechanical, Packaging, and Orderable Information</b> .....	40
7.1 Overview.....	17		
7.2 Functional Block Diagram.....	17		

## 4 Device Comparison

**Device Decoder** shows some of the device naming nomenclature of the TPS3762-Q1. Not all device namings follow this nomenclature table. For a detailed breakdown of every device part number by threshold voltage options, BIST configurations, Latch configurations, CTR options, CTS options, and UV bypass, see [Section 4.1](#) for more details. Contact TI sales representatives or on [TI's E2E forum](#) for detail and availability of other options.



1. Suffix 02, 05, and 10 with VIT of 800mV corresponds to the adjustable variant, do not have internal voltage divider
2. Refer to [Section 4.1](#) for a decoding table by part number.
3. Refer to [Switching Characteristics](#) for Fixed SENSE time delay timing.

# Overvoltage Undervoltage

## VITP VITN

# TPS3762 X XX XX XXX X XX

Topology				
Suffix	RESET Time Delay	Sense Time Delay	Latch / UVbypass	RESET assertion during BIST
A	CTR	CTS	Disabled	Yes
B	CTR	CTS	Latch	Yes
C	CTR	CTS	UVBypass	Yes
D	CTR	CTS	Both Enabled	Yes
E	CTR	Fixed	Disabled	Yes
F	CTR	Fixed	Latch	Yes
G	CTR	Fixed	UVBypass	Yes
H	CTR	Fixed	Both Enabled	Yes
I	CTR	CTS	Disabled	No
J	CTR	CTS	Latch	No
K	CTR	CTS	UVBypass	No
L	CTR	CTS	Both Enabled	No
M	CTR	Fixed	Disabled	No
N	CTR	Fixed	Latch	No
O	CTR	Fixed	UVBypass	No
P	CTR	Fixed	Both Enabled	No
Q	200ms	Fixed	Disabled	Yes
R	200ms	Fixed	Latch	Yes

Threshold Voltage and Hysteresis				
Suffix	Window	Hysteresis	VITP (OV)	VITN (UV)
W3	±3%	0.65%	824mV	776mV
W4	±4%	2%	832mV	768mV
WH	±4%	0.65%	832mV	768mV
W5	±5%	0.65%	840mV	760mV
W6	±6%	0.65%	848mV	752mV
W7	±7%	0.65%	856mV	744mV
W8	±8%	0.65%	864mV	736mV
W9	±9%	0.65%	872mV	728mV
WA	±10%	0.65%	880mV	720mV
WF	±15%	0.65%	920mV	680mV

Package	
Suffix	Name
DDF	SOT-23

Reel	
Suffix	Name
R	Large

Rating	
Suffix	Name
Q1	AUTO

### 4.1 Device Nomenclature

Device Decoder in Section 4 describe how to decode certain device function of the device based on the part number. Not all part numbers follow this nomenclature. Use Table 4-1 as the part number decoding table for all devices.

**Table 4-1. Device Configuration Table**

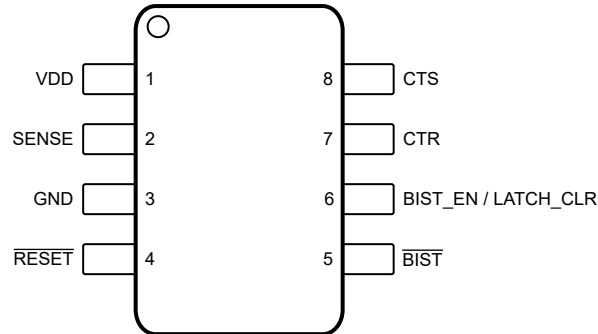
ORDERABLE PART NAME	OVERVOLTAGE	UNDERVOLTAGE	SENSE TIME DELAY RESET TIME DELAY	Latch / UVbypass	RESET ASSERTION DURING BIST
TPS3762D02OVDDFRQ1	V <sub>ITP</sub> : 800mV V <sub>HYS</sub> : 2%	N/A	SENSE: CTS RESET: CTR	Latch: Enabled UVBypass: Enabled	Enabled
TPS3762EUVF4DDFRQ1	N/A	V <sub>ITN</sub> : 30.0V V <sub>HYS</sub> : 2%	SENSE: Fixed RESET: CTR	Latch: Disabled UVBypass: Disabled	Enabled
TPS3762EG4OVDDFRQ1	V <sub>ITP</sub> : 54.0V V <sub>HYS</sub> : 2%	N/A	SENSE: Fixed RESET: CTR	Latch: Disabled UVBypass: Disabled	Enabled
TPS3762BUV05DDFRQ1	N/A	V <sub>ITN</sub> : 800mV V <sub>HYS</sub> : 5%	SENSE: CTS RESET: CTR	Latch: Enabled UVBypass: Disabled	Enabled
TPS3762EUV02DDFRQ1 <a href="#">Section 4.1</a>	N/A	V <sub>ITN</sub> : 800mV V <sub>HYS</sub> : 2%	SENSE: Fixed RESET: CTR	Latch: Disabled UVBypass: Disabled	Enabled

**Table 4-1. Device Configuration Table (continued)**

ORDERABLE PART NAME	OVERVOLTAGE	UNDERVOLTAGE	SENSE TIME DELAY RESET TIME DELAY	Latch / UVbypass	RESET ASSERTION DURING BIST
TPS3762F02OVDDFRQ1 <sup>1</sup>	V <sub>ITP</sub> : 800mV V <sub>HYS</sub> : 2%	N/A	SENSE: Fixed RESET: CTR	Latch: Enabled UVBypass: Disabled	Enabled
TPS3762DW4W4DDFRQ1 <sup>1</sup>	V <sub>ITP</sub> : 832mV V <sub>HYS</sub> : 2%	V <sub>ITN</sub> : 768mV V <sub>HYS</sub> : 2%	SENSE: CTS RESET: CTR	Latch: Enabled UVBypass: Enabled	Enabled

1. Contact TI sales representatives or on TI's [E2E](#) forum for details and availability of other options
2. Refer to [Switching Characteristics](#) for Fixed SENSE time delay timings.
3. Product preview. Please check with a Texas Instruments representative for availability

## 5 Pin Configuration and Functions



**Figure 5-1. DDF Package,  
8-Pin SOT-23,  
TPS3762-Q1 (Top View)**

**Table 5-1. Pin Functions**

PIN		TYPE <sup>(1)</sup>	DESCRIPTION
NAME	NO.		
VDD	1	I	<b>Input Supply Voltage:</b> Supply voltage pin. For noisy systems, bypass with a 0.1µF capacitor to GND.
SENSE	2	I	<b>Sense Voltage:</b> Connect this pin to the supply rail that must be monitored. See <a href="#">Section 8.3.2</a> for more details. <b>Sensing Topology: Overvoltage (OV) or Undervoltage (UV) or Window (OV + UV)</b>
GND	3	-	<b>Ground.</b> Ground pin. All GND pins must be electrically connected to the board ground.
$\overline{\text{RESET}}$	4	O	<b>Output Reset Signal:</b> $\overline{\text{RESET}}$ asserts when SENSE crosses the voltage threshold after the sense time delay, set by CTS, and remains asserted for the reset time delay period, set by CTR, after SENSE transitions out of a fault condition. For latch variants $\overline{\text{RESET}}$ remains asserted until the latch is cleared. The active low open-drain reset output requires an external pullup resistor. See <a href="#">Section 8.3.3.2</a> for more details. <b>Output topology: Open-Drain Active-Low</b>
$\overline{\text{BIST}}$	5	O	<b>Built-In Self-Test:</b> $\overline{\text{BIST}}$ asserts when a logic high input occurs on the BIST_EN / LATCH_CLR or BIST_EN pin, this initiates the internal BIST testing. $\overline{\text{BIST}}$ recovers after $t_{\overline{\text{BIST}}}$ to signify BIST completed successfully. $\overline{\text{BIST}}$ remains asserted for a time period longer than $t_{\overline{\text{BIST}}}$ if there is a failure during BIST. $\overline{\text{BIST}}$ active-low open-drain output requires an external pullup resistor. See <a href="#">Section 8.3.6</a> for more details.
BIST_EN / LATCH_CLR	6	I	<b>Built-in Self-test Enable and Latch Clear:</b> A rising edge input must occur on the BIST_EN / LATCH_CLR to initiate BIST. For devices with latch enabled, a logic low input enables latch and a logic high input disables/clears latch. Pin 6 features an internal 100kΩ pulldown resistor which enables latch a startup. See <a href="#">Section 8.3.6</a> for more details.
CTR	7	O	<b>RESET Time Delay:</b> User-programmable reset time delay for $\overline{\text{RESET}}$ . Connect an external capacitor for adjustable time delay or leave the pin floating for the shortest delay. See <a href="#">Section 8.3.4</a> for more details.
CTS	8	O	<b>SENSE Time Delay:</b> User-programmable sense time delay for SENSE. Connect an external capacitor for adjustable time delay or leave the pin floating for the shortest delay. See <a href="#">Section 8.3.5</a> for more details.

(1) I = Input; O = Output

## 6 Specifications

### 6.1 Absolute Maximum Ratings

over operating free-air temperature range, unless otherwise noted <sup>(1)</sup>

		MIN	MAX	UNIT
Voltage	$V_{DD}$ , $V_{SENSE(Adjustable)}$ , $V_{RESET}$	-0.3	70	V
Voltage	$V_{SENSE(Fixed)}$	-65	70	V
Voltage	$V_{CTS}$ , $V_{CTR}$	-0.3	6	V
Voltage	$V_{BIST}$ , $V_{BIST\_EN}$ , $V_{BIST\_EN/LATCH\_CLR}$	-0.3	6	V
Current	$I_{RESET}$ , $I_{BIST}$		10	mA
Temperature <sup>(2)</sup>	Operating junction temperature, $T_J$	-40	150	°C
Temperature <sup>(2)</sup>	Operating Ambient temperature, $T_A$	-40	150	°C
Temperature <sup>(2)</sup>	Storage, $T_{stg}$	-65	150	°C

- Operation outside the Absolute Maximum Ratings may cause permanent device damage. Absolute Maximum Ratings do not imply functional operation of the device at these or any other conditions beyond those listed under Recommended Operating Conditions. If used outside the Recommended Operating Conditions but within the Absolute Maximum Ratings, the device may not be fully functional, and this may affect device reliability, functionality, performance, and shorten the device lifetime.
- As a result of the low dissipated power in this device,  $T_J$  is assumed to be equal to  $T_A$ .

### 6.2 ESD Ratings

			VALUE	UNIT
$V_{(ESD)}$	Electrostatic discharge	Human body model (HBM), per AEC Q100-002 <sup>(1)</sup>	±2000	V
		Charged device model (CDM), per AEC Q100-011	±750	

- AEC Q100-002 indicates that HBM stressing shall be in accordance with the ANSI/ESDA/JEDEC JS-001 specification.

### 6.3 Recommended Operating Conditions

over operating free-air temperature range (unless otherwise noted)

		MIN	NOM	MAX	UNIT
Voltage	$V_{DD}$	2.7		65	V
Voltage	$V_{DD}$ (50ms transient) <sup>(2)</sup>			70	V
Voltage	$V_{SENSE}$ , $V_{RESET}$	0		65	V
Voltage	$V_{CTS}$ , $V_{CTR}$	0		5.5	V
Voltage	$V_{BIST}$ , $V_{BIST\_EN}$ , $V_{BIST\_EN/LATCH\_CLR}$	0		5.5	V
Current	$I_{RESET}$ , $I_{BIST}$	0		5	mA
$T_J$ <sup>(1)</sup>	Junction temperature (free air temperature)	-40		125	°C

- As a result of the low dissipated power in this device,  $T_J$  is assumed to be equal to  $T_A$ .
- This is a transient specification, operating the device repeatedly under this condition can affect device lifetime.

## 6.4 Thermal Information

THERMAL METRIC <sup>(1)</sup>		TPS3762-Q1	
		DDF	UNIT
		8-PIN	
$R_{\theta JA}$	Junction-to-ambient thermal resistance	154.6	°C/W
$R_{\theta JC(top)}$	Junction-to-case (top) thermal resistance	77.4	°C/W
$R_{\theta JB}$	Junction-to-board thermal resistance	73.2	°C/W
$\Psi_{JT}$	Junction-to-top characterization parameter	4.8	°C/W
$\Psi_{JB}$	Junction-to-board characterization parameter	72.9	°C/W
$R_{\theta JC(bot)}$	Junction-to-case (bottom) thermal resistance	N/A	°C/W

- (1) For more information about traditional and new thermal metrics, see the [Semiconductor and IC Package Thermal Metrics](#) application note.

## 6.5 Electrical Characteristics

At  $V_{DD(MIN)} \leq V_{DD} \leq V_{DD(MAX)}$ , CTR = CTS = open, output  $\overline{\text{RESET}}$  pullup resistor  $R_{PU} = 10\text{k}\Omega$ , voltage  $V_{PU} = 5.5\text{V}$ , output  $\overline{\text{BIST}}$  pullup resistor  $R_{PU\_BIST} = 10\text{k}\Omega$ , voltage  $V_{PU\_BIST} = 5.5\text{V}$ , and load  $C_{LOAD} = 10\text{pF}$ . The operating free-air temperature range  $T_A = -40^\circ\text{C}$  to  $125^\circ\text{C}$ , unless otherwise noted. Typical values are at  $T_A = 25^\circ\text{C}$  and  $V_{DD} = 12\text{V}$  and  $V_{IT} = 6.5\text{V}$  ( $V_{IT}$  refers to  $V_{ITN}$  or  $V_{ITP}$ ).

PARAMETER		TEST CONDITIONS	MIN	TYP	MAX	UNIT
<b>POWER SUPPLY</b>						
$V_{DD}$	Supply Voltage		2.7		65	V
UVLO (1)	Undervoltage Lockout	$V_{DD}$ rising above $V_{DD(MIN)}$			2.6	V
UVLO(HYS) (1)	Undervoltage Lockout Hysteresis	$V_{DD}$ falling below $V_{DD(MIN)}$		500		mV
$V_{POR(RESET)}$	Power on Reset Voltage (2) RESET, Active Low (Open-Drain)	$V_{OL(MAX)} = 300\text{mV}$ $I_{OUT(SINK)} = 15\mu\text{A}$			1.4	V
$V_{POR(BIST)}$	Power on Reset Voltage (2) BIST, Active Low (Open-Drain)	$V_{OL(MAX)} = 300\text{mV}$ $I_{OUT(SINK)} = 15\mu\text{A}$			1.4	V
$I_{DD}$	Supply current into $V_{DD}$ pin	$V_{IT} = 800\text{mV}$ $V_{DD(MIN)} \leq V_{DD} \leq V_{DD(MAX)}$		4	8.1	$\mu\text{A}$
$I_{DD}$	Supply current into $V_{DD}$ pin	$V_{IT} = 2.7\text{V}$ to $65\text{V}$ $V_{DD(MIN)} \leq V_{DD} \leq V_{DD(MAX)}$			8.1	$\mu\text{A}$
<b>SENSE (Input)</b>						
$I_{SENSE}$	Input current	$V_{IT} = 800\text{mV}$			200	nA
$I_{SENSE}$	Input current	$V_{IT} = 2.7\text{V}$ to $65\text{V}$		1.5	5	$\mu\text{A}$
$V_{ITN}$	Input Threshold Negative (Undervoltage)	$V_{ITN} = 2.7\text{V}$ to $65\text{V}$	-1		1	%
$V_{ITN}$	Input Threshold Negative (Undervoltage)	$V_{ITN} = 800\text{mV}$ (3)	-0.9		0.9	%
$V_{ITP}$	Input Threshold Positive (Overvoltage)	$V_{ITP} = 2.7\text{V}$ to $65\text{V}$	-1		1	%
$V_{ITP}$	Input Threshold Positive (Overvoltage)	$V_{ITP} = 800\text{mV}$ (3)	-0.9		0.9	%
$V_{HYS}$	Hysteresis Accuracy (4)	$V_{IT} = 0.8\text{V}$ and $2.7\text{V}$ to $65\text{V}$ $V_{HYS}$ Range = $0.7\%$	0.6	0.7	0.8	%
$V_{HYS}$	Hysteresis Accuracy (4)	$V_{HYS}$ Range = $2\%$	1.5	2	2.5	%
$V_{HYS}$	Hysteresis Accuracy (4)	$V_{HYS}$ Range = $5\%$	4.5	5	6	%
$V_{HYS}$	Hysteresis Accuracy (4)	$V_{HYS}$ Range = $10\%$	9	10	11	%
<b>RESET (Output)</b>						
$I_{IKG(OD)}$	Open-Drain leakage	$V_{RESET} = 5.5\text{V}$ $V_{ITN} < V_{SENSE} < V_{ITP}$			300	nA
$I_{IKG(OD)}$	Open-Drain leakage	$V_{RESET} = 65\text{V}$ $V_{ITN} < V_{SENSE} < V_{ITP}$			300	nA
$V_{OL}$ (5)	Low level output voltage	$2.7\text{V} \leq V_{DD} \leq 65\text{V}$ $I_{RESET} = 2.7\text{mA}$			350	mV

## 6.5 Electrical Characteristics (continued)

At  $V_{DD(MIN)} \leq V_{DD} \leq V_{DD(MAX)}$ , CTR = CTS = open, output  $\overline{\text{RESET}}$  pullup resistor  $R_{PU} = 10\text{k}\Omega$ , voltage  $V_{PU} = 5.5\text{V}$ , output  $\overline{\text{BIST}}$  pullup resistor  $R_{PU\_BIST} = 10\text{k}\Omega$ , voltage  $V_{PU\_BIST} = 5.5\text{V}$ , and load  $C_{LOAD} = 10\text{pF}$ . The operating free-air temperature range  $T_A = -40^\circ\text{C}$  to  $125^\circ\text{C}$ , unless otherwise noted. Typical values are at  $T_A = 25^\circ\text{C}$  and  $V_{DD} = 12\text{V}$  and  $V_{IT} = 6.5\text{V}$  ( $V_{IT}$  refers to  $V_{ITN}$  or  $V_{ITP}$ ).

PARAMETER		TEST CONDITIONS	MIN	TYP	MAX	UNIT
<b>Capacitor Timing (CTS, CTR)</b>						
$R_{CTR}$	Internal resistance (CTR)		2.96	3.7	4.44	M $\Omega$
$R_{CTS}$	Internal resistance (CTS)		2.96	3.7	4.44	M $\Omega$
<b>Built-in Self-test</b>						
$I_{kg(BIST)}$	Open-Drain leakage	$V_{BIST} = 5.5\text{V}$ $V_{ITN} < V_{SENSE} < V_{ITP}$			300	nA
$I_{kg(BIST)}$	Open-Drain leakage	$V_{BIST} = 3.3\text{V}$ $V_{ITN} < V_{SENSE} < V_{ITP}$			300	nA
$V_{BIST\_OL}$	Low level output voltage	$2.7\text{V} \leq V_{DD} \leq 65\text{V}$ $I_{BIST} = 5\text{mA}$			300	mV
$V_{BIST\_EN}$	BIST_EN pin logic low input				500	mV
$V_{BIST\_EN}$	BIST_EN pin logic high input		1300			mV
$V_{BIST\_EN}/$ $LATCH\_CLR$	LATCH_CLR pin logic low input				500	mV
$V_{BIST\_EN}/$ $LATCH\_CLR$	LATCH_CLR pin logic high input		1300			mV

- (1) When  $V_{DD}$  voltage falls below UVLO,  $\overline{\text{RESET}}$  is asserted.  $V_{DD}$  slew rate  $\leq 100\text{ mV} / \mu\text{s}$
- (2)  $V_{POR}$  is the minimum  $V_{DD}$  voltage for a controlled output state. Below  $V_{POR}$ , the output cannot be determined.  $V_{DD}$  slew rate  $\leq 100\text{mV}/\mu\text{s}$
- (3) For adjustable voltage guidelines and resistor selection refer to Adjustable Voltage Thresholds in Application and Implementation section
- (4) Hysteresis is with respect to  $V_{ITP}$  and  $V_{ITN}$  voltage threshold.  $V_{ITP}$  has negative hysteresis and  $V_{ITN}$  has positive hysteresis.
- (5) For  $V_{OH}$  and  $V_{OL}$  relation to output variants refer to Timing Figures after the Timing Requirement Table

## 6.6 Switching Requirements

At  $V_{DD(MIN)} \leq V_{DD} \leq V_{DD(MAX)}$ , CTR = CTS = open, output  $\overline{\text{RESET}}$  pullup resistor  $R_{PU} = 10k\Omega$ , voltage  $V_{PU} = 5.5V$ , output  $\overline{\text{BIST}}$  pullup resistor  $R_{PU\_BIST} = 10k\Omega$ , voltage  $V_{PU\_BIST} = 5.5V$ , and load  $C_{LOAD} = 10pF$ . The operating free-air temperature range  $T_A = -40^\circ\text{C}$  to  $125^\circ\text{C}$ , unless otherwise noted. Typical values are at  $T_A = 25^\circ\text{C}$  and  $V_{DD} = 12V$  and  $V_{IT} = 6.5V$  ( $V_{IT}$  refers to  $V_{ITN}$  or  $V_{ITP}$ ).

PARAMETER	TEST CONDITIONS	MIN	TYP	MAX	UNIT
<b>Common Switching Requirements</b>					
$t_{CTR(\text{No Cap})}$	$\overline{\text{RESET}}$ release time delay (CTR) <sup>(1)</sup>	VIT = 800mV C <sub>CTR</sub> = Open 20% Overdrive from Hysteresis	350	600	$\mu\text{s}$
$t_{CTR(\text{No Cap})}$	$\overline{\text{RESET}}$ release time delay (CTR) <sup>(1)</sup>	VIT = 2.7V to 65V C <sub>CTR</sub> = Open 20% Overdrive from Hysteresis		670	$\mu\text{s}$
$t_{pd}$	CTS = Disabled <sup>(5)</sup>	VITP = 800mV 20% Overdrive from $V_{IT}$	1.2	3	$\mu\text{s}$
$t_{pd}$	CTS = Disabled <sup>(5)</sup>	VITN = 800mV 20% Overdrive from $V_{IT}$	2	5	$\mu\text{s}$
$t_{pd}$	CTS = Disabled	VITP = 2.7V to 65V 20% Overdrive from $V_{IT}$	10	36	$\mu\text{s}$
$t_{pd}$	CTS = Disabled	VITN = 2.7V to 65V 20% Overdrive from $V_{IT}$	10	36	$\mu\text{s}$
$t_{CTS}$	Sense detect time delay (CTS) <sup>(2) (4)</sup>	VIT = 800mV C <sub>CTS</sub> = Open 20% Overdrive from $V_{IT}$	85	100	$\mu\text{s}$
$t_{CTS}$	Sense detect time delay (CTS) <sup>(2) (4)</sup>	VIT = 2.7V to 65V C <sub>CTS</sub> = Open 20% Overdrive from $V_{IT}$	85	120	$\mu\text{s}$
$t_{SD}$	Startup Delay <sup>(3)</sup>	C <sub>CTR</sub> = Open	1		ms
<b>BIST Switching Requirements</b>					
$t_{BIST\_en\_pd}$	Rising edge of BIST_EN to BIST asserting		2.3		$\mu\text{s}$
$t_{BIST\_en\_pd}$	Rising edge of BIST_EN to $\overline{\text{RESET}}$ asserting		2.3		$\mu\text{s}$
$t_{\overline{\text{BIST}}\_recover}$	Rising edge of $\overline{\text{BIST}}$ to SENSE input valid	C <sub>CTR</sub> = Open, BIST = Enabled	350	600	$\mu\text{s}$
$t_{\overline{\text{BIST}}}$	BIST run time			3.5	ms
$t_{SD+\overline{\text{BIST}}}$	Startup time with BIST run time			4.5	ms
<b>LATCH Switching Requirements</b>					
$t_{BIST\_EN/LATCH\_CLR\_R\ recover}$	Rising edge of $\overline{\text{BIST}}$ to SENSE input valid	C <sub>CTR</sub> = Open, BIST = Disabled	10		$\mu\text{s}$

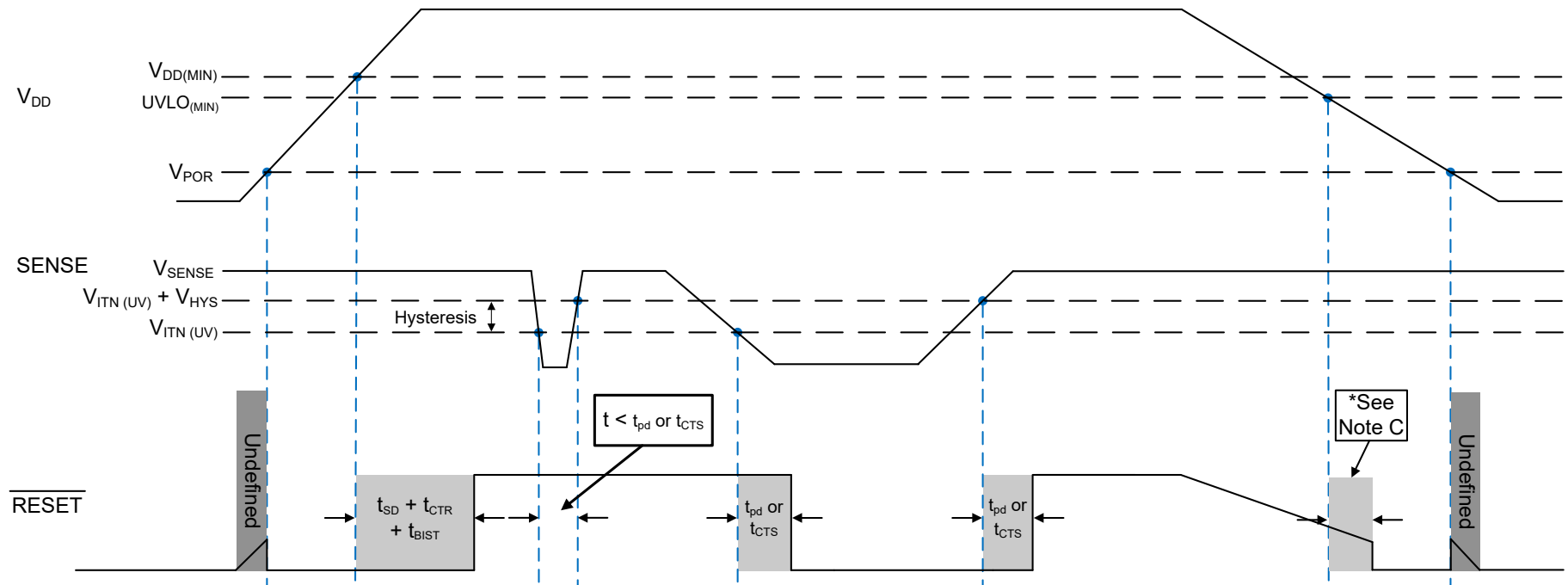
- (1) **CTR Reset detect time delay:**  
Overvoltage active-low output is measure from  $V_{ITP-HYS}$  to  $V_{OH}$   
Undervoltage active-low output is measure from  $V_{ITN+HYS}$  to  $V_{OH}$
- (2) **CTS Sense detect time delay:**  
Overvoltage active-low output is measure from  $V_{ITP}$  to  $V_{OL}$   
Undervoltage active-low output is measure from  $V_{ITN}$  to  $V_{OL}$
- (3) During the power-on sequence,  $V_{DD}$  must be at or above  $V_{DD(MIN)}$  for at least  $t_{SD+\overline{\text{BIST}}} + t_{CTR}$  before the output is in the correct state based on  $V_{SENSE}$ .  
 $t_{SD}$  time includes the propagation delay (C<sub>CTR</sub> = Open). Capacitor on CTR will add time to  $t_{SD}$ .
- (4) C<sub>CTS</sub> = Open assumes there is less than 20pF of parasitic capacitance on the pin.
- (5) This parameter is established by design or characterization and is not tested in production.

## 6.7 Timing Requirements

At  $V_{DD(MIN)} \leq V_{DD} \leq V_{DD(MAX)}$ , CTR = CTS = open, output  $\overline{RESET}$  pullup resistor  $R_{PU} = 10\text{ k}\Omega$ , voltage  $V_{PU} = 5.5\text{ V}$ , output  $\overline{BIST}$  pullup resistor  $R_{PU\_BIST} = 10\text{ k}\Omega$ , voltage  $V_{PU\_BIST} = 5.5\text{ V}$ , and load  $C_{LOAD} = 10\text{ pF}$ . The operating free-air temperature range  $T_A = -40^\circ\text{C}$  to  $125^\circ\text{C}$ , unless otherwise noted. Typical values are at  $T_A = 25^\circ\text{C}$  and  $V_{DD} = 12\text{ V}$  and  $V_{IT} = 6.5\text{ V}$  ( $V_{IT}$  refers to  $V_{ITN}$  or  $V_{ITP}$ ).

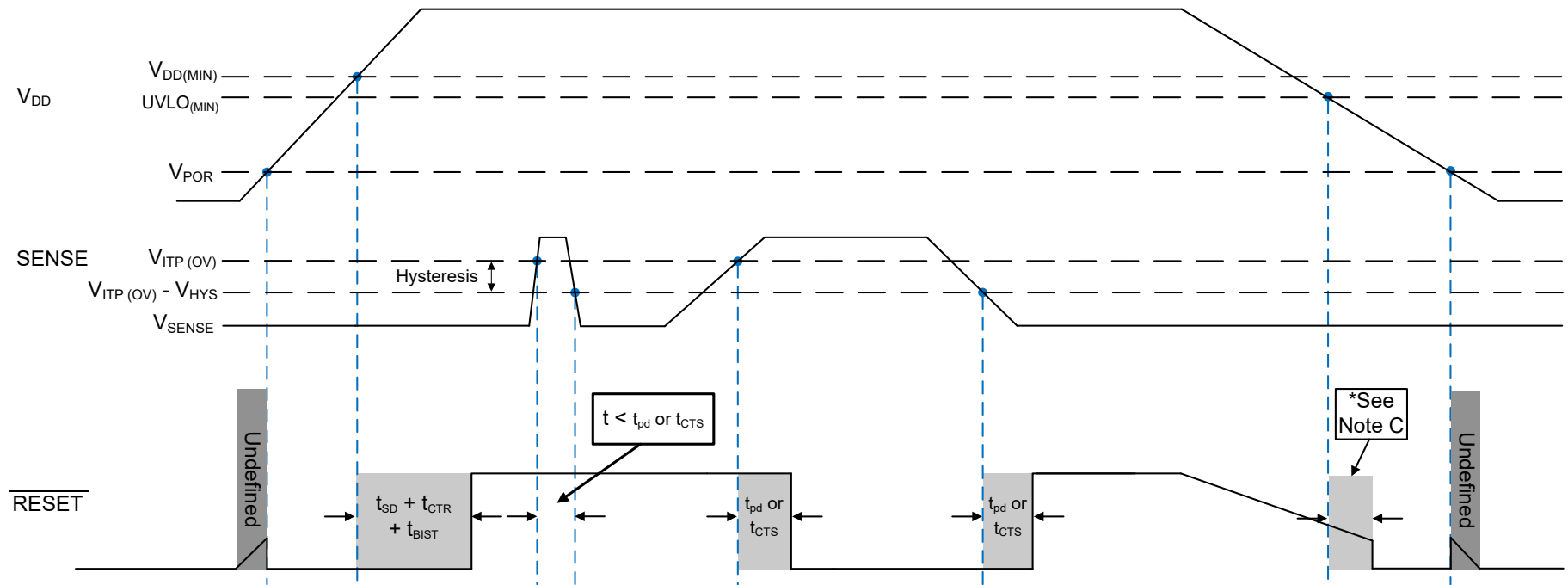
PARAMETER	TEST CONDITIONS	MIN	TYP	MAX	UNIT
<b>BIST timing parameters</b>					
$t_{BIST\_en\ Glitch}$	BIST_EN Glitch immunity		1.1		$\mu\text{s}$
$t_{BIST\_en}$	Minimum BIST_EN input width to initiate BIST		1.2	8	$\mu\text{s}$
<b>LATCH timing parameters</b>					
$t_{BIST\_EN/LATCH\_CLR\ Glitch}$	Latch Glitch immunity		1.5		$\mu\text{s}$
$t_{BIST\_EN/LATCH\_CLR}$	Latch input width to clear latch		1.6		$\mu\text{s}$

## 6.8 Timing Diagrams



- A. The timing diagram assumes the open-drain output  $\overline{RESET}$  pin is connected via an external pull-up resistor to  $V_{DD}$ .
- B. Be advised that [Figure 6-1](#) shows the  $V_{DD}$  falling slew rate is slow or the  $V_{DD}$  decay time is much larger than the propagation detect delay or  $t_{CTR}$  time.
- C.  $\overline{RESET}$  is asserted when  $V_{DD}$  goes below the  $UVLO_{(MIN)}$  threshold after the time delay,  $t_{pd}$  or  $t_{CTR}$ , is reached.

**Figure 6-1. SENSE Undervoltage (UV) Timing Diagram**



- A. The timing diagram assumes the open-drain output  $\overline{RESET}$  pin is connected via an external pull-up resistor to  $V_{DD}$ .
- B. Be advised that [Figure 6-2](#) shows the  $V_{DD}$  falling slew rate is slow or the  $V_{DD}$  decay time is much larger than the propagation detect delay or  $t_{CTR}$  time.
- C.  $\overline{RESET}$  is asserted when  $V_{DD}$  goes below the  $UVLO(MIN)$  threshold after the time delay,  $t_{pd}$  or  $t_{CTR}$ , is reached.

**Figure 6-2. SENSE Overtorque (OV) Timing Diagram**

## 6.9 Typical Characteristics

Typical characteristics show the typical performance of the TPS3762-Q1 device. Test conditions are taken at  $T_A = 25^\circ\text{C}$ , unless otherwise noted.

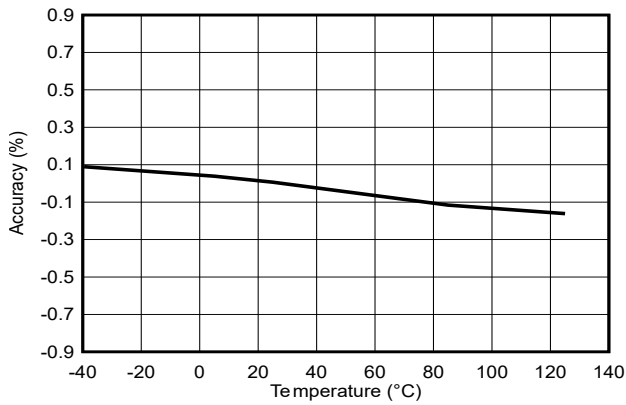


Figure 6-3. Undervoltage Accuracy vs Temperature ( $V_{IT} = 0.8\text{V}$ )

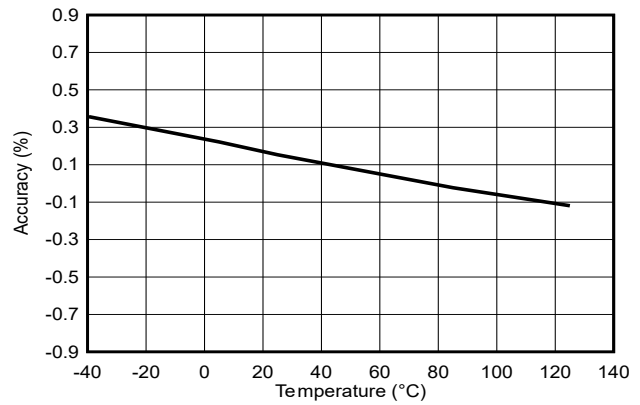


Figure 6-4. Overvoltage Accuracy vs Temperature ( $V_{IT} = 0.8\text{V}$ )

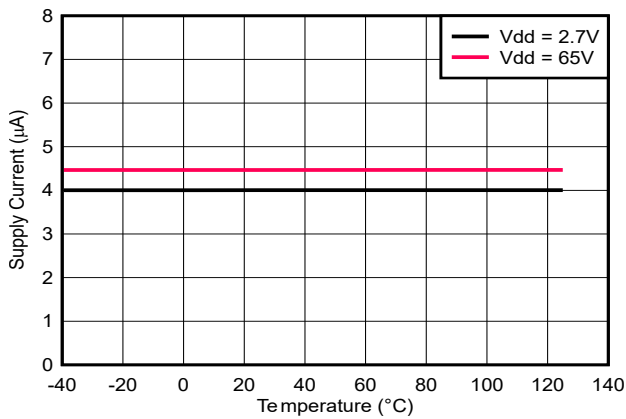


Figure 6-5.  $I_{DD}$  vs Temperature (RESET = High,  $V_{IT} = 0.8\text{V}$ )

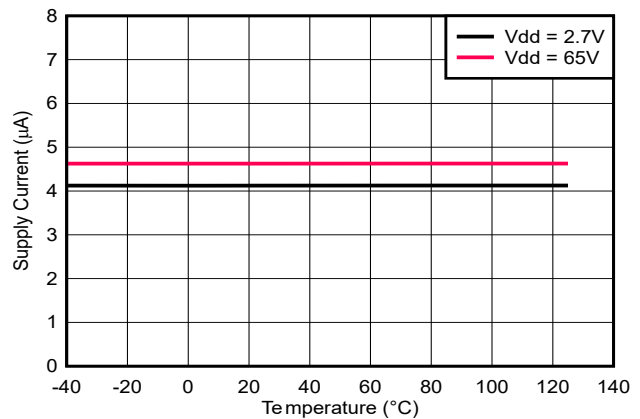


Figure 6-6.  $I_{DD}$  vs  $V_{DD}$  (RESET = Low,  $V_{IT} = 0.8\text{V}$ )

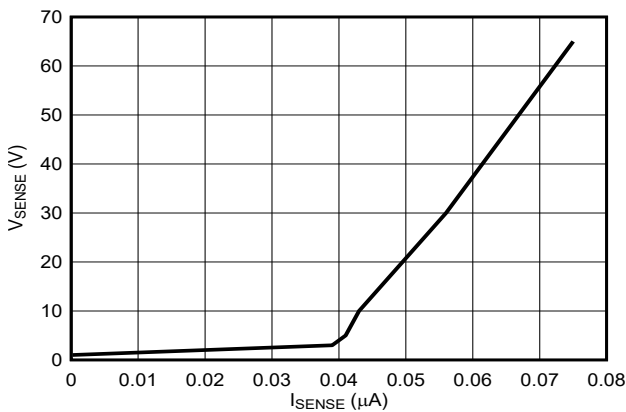


Figure 6-7.  $V_{SENSE}$  vs  $I_{SENSE}$  ( $V_{DD} = 2.7\text{V}$ )

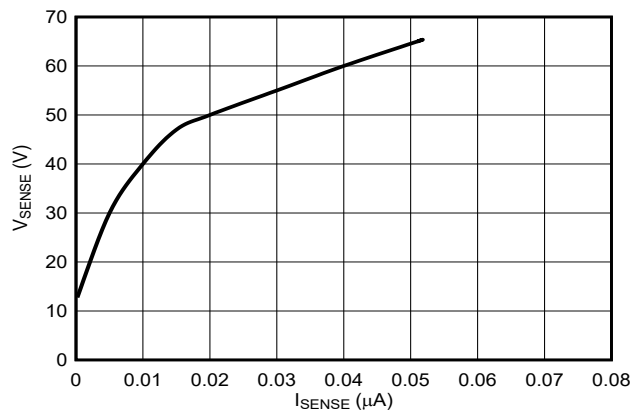


Figure 6-8.  $V_{SENSE}$  vs  $I_{SENSE}$  ( $V_{DD} = 65\text{V}$ )

### 6.9 Typical Characteristics (continued)

Typical characteristics show the typical performance of the TPS3762-Q1 device. Test conditions are taken at  $T_A = 25^\circ\text{C}$ , unless otherwise noted.

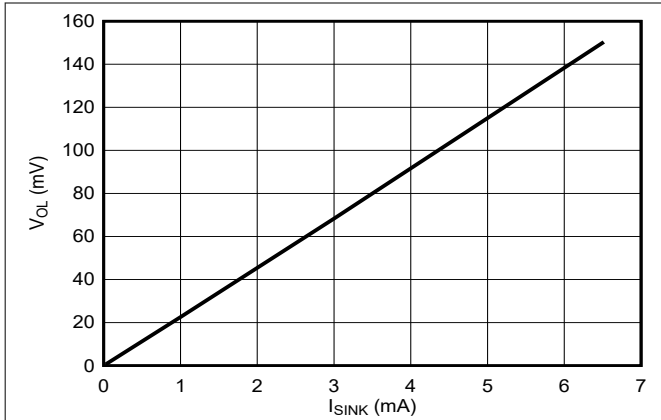


Figure 6-9. Open-Drain Active Low  $V_{\text{OL}}$  vs  $I_{\text{RESET}}$  ( $V_{\text{DD}} = 2.7\text{V}$ )

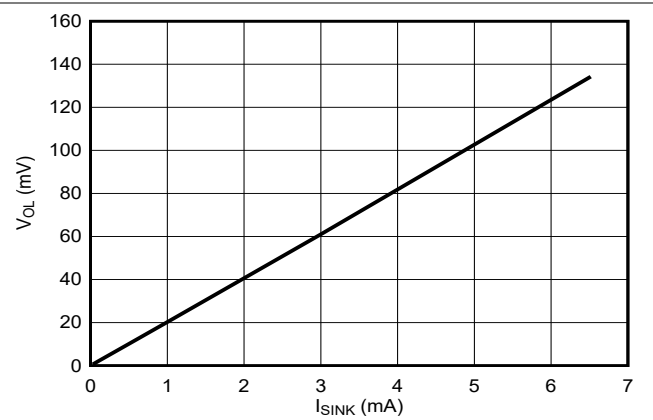


Figure 6-10. Open-Drain Active Low  $V_{\text{OL}}$  vs  $I_{\text{RESET}}$  ( $V_{\text{DD}} = 65\text{V}$ )

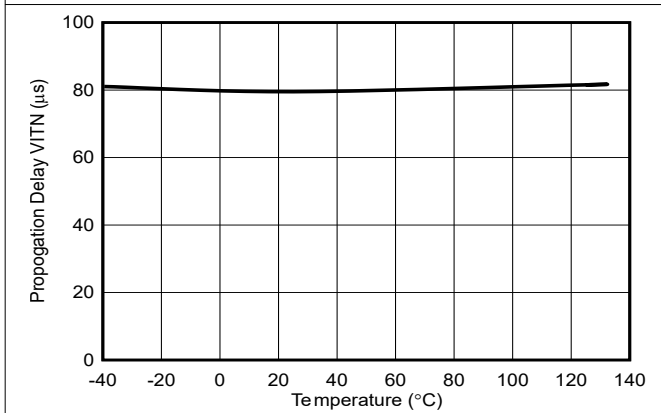


Figure 6-11. Propagation Delay (Undervoltage) vs Temperature ( $V_{\text{IT}} = 0.8\text{V}$ , CTS = Enabled =  $50\text{pF}$ )

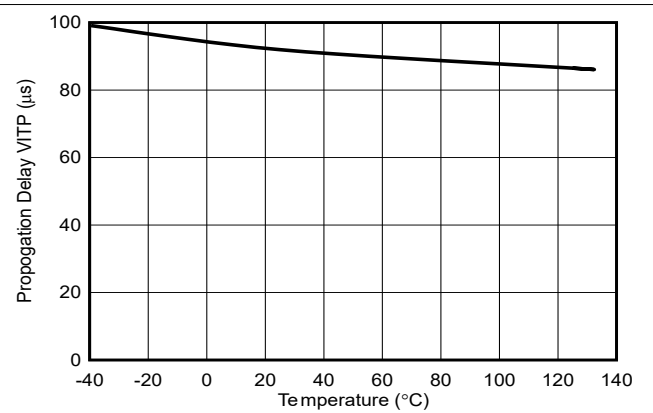


Figure 6-12. Propagation Delay (Overvoltage) vs Temperature ( $V_{\text{IT}} = 0.8\text{V}$ , CTS = Enabled =  $50\text{pF}$ )

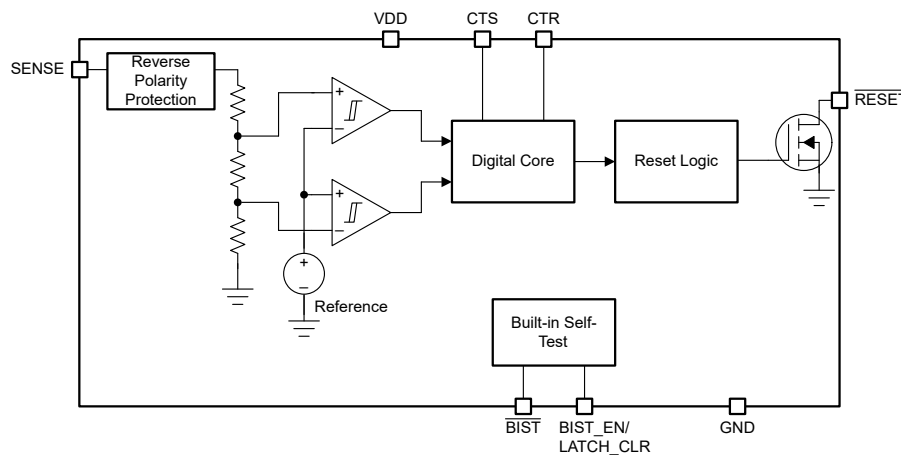
## 7 Detailed Description

### 7.1 Overview

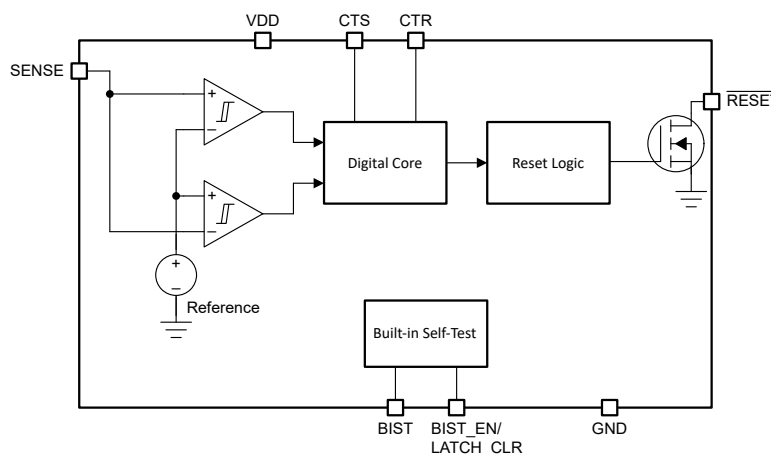
The TPS3762-Q1 is a family of high voltage and low quiescent current voltage supervisors with overvoltage and undervoltage threshold voltage options, delay timings, Built-In Self-Test, and latch. The TPS3762-Q1 over and undervoltage thresholds are device specific and are offered in either adjustable thresholds or fixed thresholds. The adjustable threshold option uses an external resistor ladder to make a voltage divider on SENSE pin which uses the internal 800mV threshold to trigger overvoltage and undervoltage faults. The benefit of using an adjustable option with external resistors is the faster reaction speed compared to a fixed internal threshold variant. The TPS3762-Q1 fixed threshold option utilizes an integrated voltage divider to eliminate the need for external resistors and provides a lower system leakage current.

VDD, SENSE and  $\overline{\text{RESET}}$  pins can support 65V continuous operation. SENSE has -65V reverse polarity protection. VDD, SENSE, and  $\overline{\text{RESET}}$  voltage levels can be independent of each other. TPS3762-Q1 includes a reset output latching feature that holds the output active to help system achieve safe state. Fixed and programmable sense and reset delay are available to avoid false resets and false reset releases.

### 7.2 Functional Block Diagram



**Figure 7-1. Fixed Threshold Functional Block Diagram**



**Figure 7-2. Adjustable Threshold Functional Block Diagram**

## 7.3 Feature Description

### 7.3.1 Input Voltage (VDD)

VDD operating voltage ranges from 2.7V to 65V. An input supply capacitor is not required for this device; however, if the input supply is noisy good analog practice is to place a 0.1µF capacitor between the VDD and GND.

VDD needs to be at or above  $V_{DD(MIN)}$  for at least the start-up time delay ( $t_{SD}$ ) for the device to be fully functional.

VDD voltage is independent of  $V_{SENSE}$  and  $V_{RESET}$ , meaning that VDD can be higher or lower than the other pins.

#### 7.3.1.1 Undervoltage Lockout ( $V_{POR} < V_{DD} < UVLO$ )

When the voltage on  $V_{DD}$  is less than the UVLO voltage, but greater than the power-on reset voltage ( $V_{POR}$ ), the  $\overline{RESET}$  and  $\overline{BIST}$  pins is asserted, regardless of the voltage at SENSE pin.

#### 7.3.1.2 Power-On Reset ( $V_{DD} < V_{POR}$ )

When the voltage on VDD is lower than the power on reset voltage ( $V_{POR}$ ), the output signal is undefined and is not to be relied upon for proper device function.

Note: Figure 7-3 and Figure 7-4 assume an external pull-up resistor is connecting the  $\overline{RESET}$  pin to VDD.

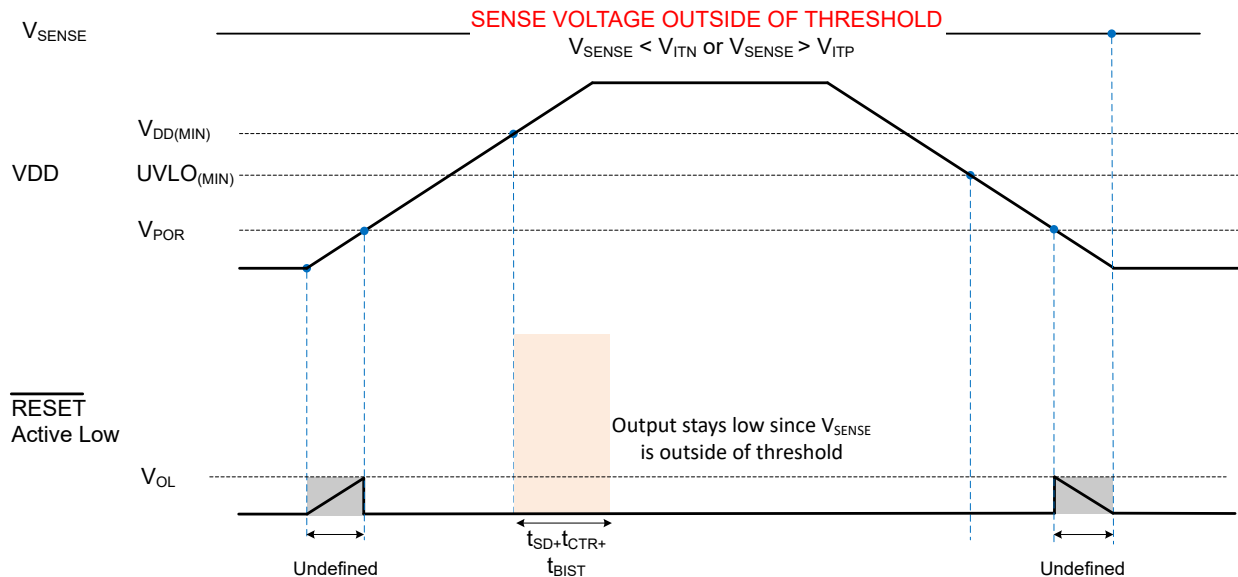
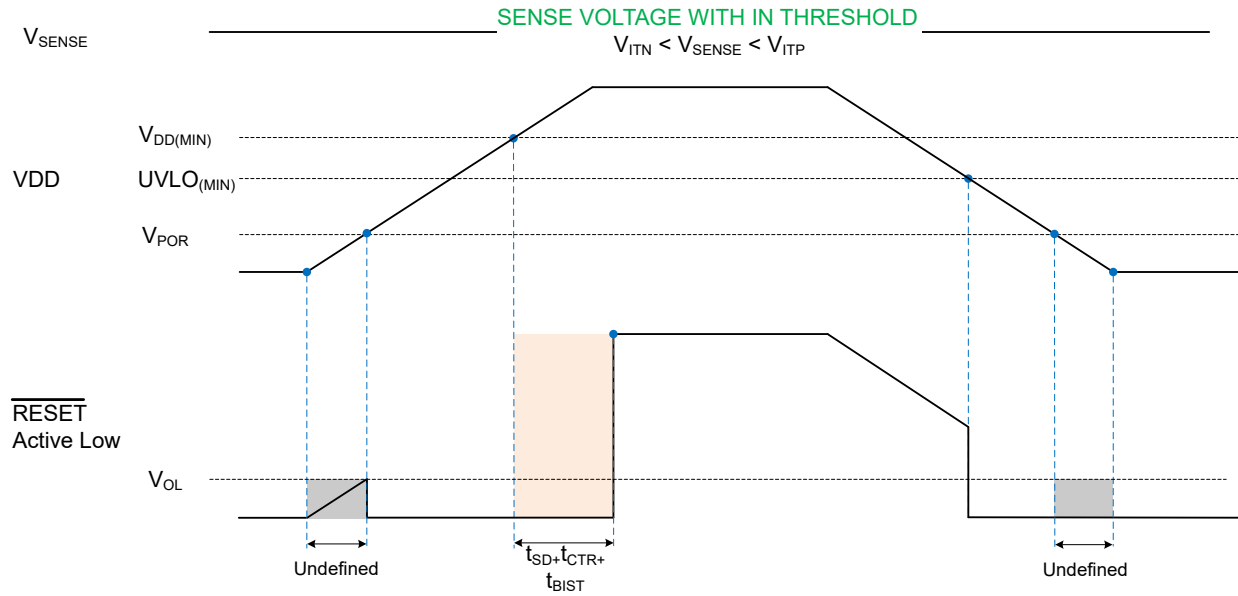


Figure 7-3. Power Cycle (SENSE Outside of Nominal Voltage)



**Figure 7-4. Power Cycle (SENSE Within Nominal Voltage)**

### 7.3.2 SENSE

The SENSE pin connects to the supply rail that is to be monitored. The sense pin on each device is configured to monitor either overvoltage (OV), undervoltage (UV), or window (OV&UV) conditions. TPS3762-Q1 device offers built-in hysteresis that provides noise immunity and maintains stable operation.

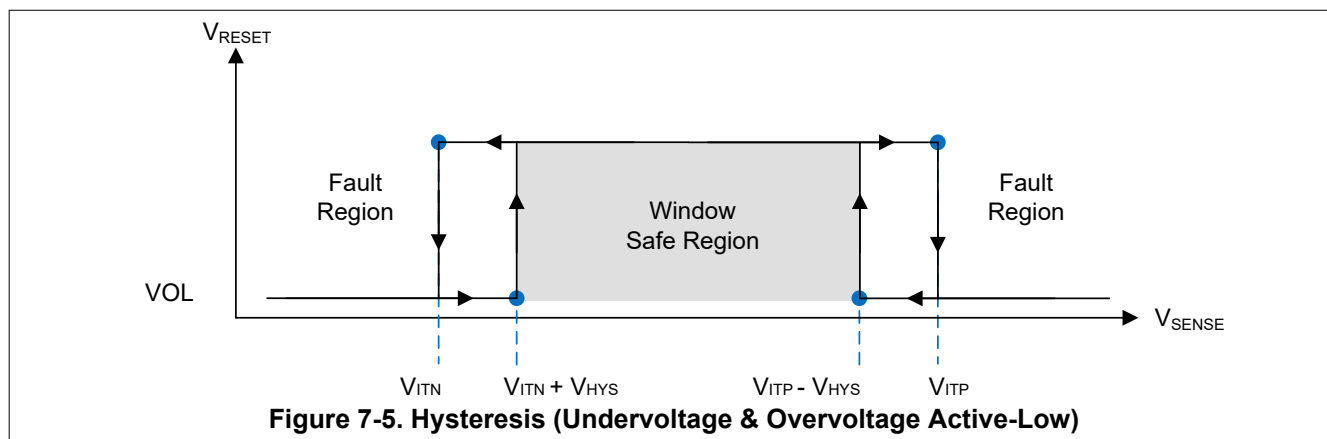
Although not required in most cases, for noisy applications where  $t_{CTS}$  is not sufficient glitch rejection, good analog design practice is to place a 10nF to 100nF bypass capacitor at the SENSE input to reduce sensitivity to transient voltages on the monitored signal. SENSE can be connected directly to VDD pin.

#### 7.3.2.1 Reverse Polarity Protection

The TPS3762-Q1 has reverse polarity protection on the sense pin up to -65V. This allows the TPS3762-Q1 to support accidental or test simulated reverse connections without damaging the device. This protection permits the TPS3762-Q1 to connect directly off of the supply prior to any reverse polarity protection diodes for accurate voltage measurement.

#### 7.3.2.2 SENSE Hysteresis

TPS3762-Q1 device offers built-in hysteresis around the UV and OV thresholds to avoid erroneous  $\overline{\text{RESET}}$  deassertions. The hysteresis is opposite to the threshold voltage; for overvoltage options the hysteresis is subtracted from the positive threshold ( $V_{ITP}$ ), for undervoltage options hysteresis is added to the negative threshold ( $V_{ITN}$ ).



**Table 7-1. Common Adjustable Hysteresis Lookup Table**

ADJUSTABLE THRESHOLD	TARGET		DEVICE HYSTERESIS OPTION
	TOPOLOGY	RELEASE VOLTAGE (V)	
800mV	Overtoltage	784mV	-2%
800mV	Overtoltage	760mV	-5%
800mV	Overtoltage	720mV	-10%
800mV	Undervoltage	816mV	2%
800mV	Undervoltage	840mV	5%
800mV	Undervoltage	880mV	10%

Table 7-1 shows a sample of hysteresis for the 800mV adjustable variant of TPS3762-Q1.

Knowing the amount of hysteresis voltage, the release voltage for the undervoltage (UV) channel is ( $V_{ITN} + V_{HYS}$ ) and for the overvoltage (OV) channel is ( $V_{ITP} - V_{HYS}$ ).

Undervoltage (UV)

$$V_{ITN} = 800\text{mV}$$

$$\text{Voltage Hysteresis } (V_{HYS}) = 2\% = 16\text{mV}$$

$$\text{Hysteresis Accuracy} = +1.5\% \text{ to } +2.5\% = 16.24\text{mV to } 16.4\text{mV}$$

$$\text{Release Voltage} = V_{ITN} + V_{HYS} = 816.24\text{mV to } 816.4\text{mV}$$

Overtoltage (OV)

$$V_{ITP} = 800\text{mV}$$

$$\text{Voltage Hysteresis } (V_{HYS}) = 2\% = 16\text{mV}$$

$$\text{Hysteresis Accuracy} = +1.5\% \text{ to } +2.5\% = 16.24\text{mV to } 16.4\text{mV}$$

$$\text{Release Voltage} = V_{ITP} - V_{HYS} = 783.6\text{mV to } 783.76\text{mV}$$

### 7.3.3 Output Logic Configurations

TPS3762-Q1 is a single channel device that has a single input SENSE pin and a single  $\overline{\text{RESET}}$  pin. The single  $\overline{\text{RESET}}$  is available only with open drain topology.

#### 7.3.3.1 Open-Drain

Open-drain output requires an external pull-up resistor to hold the voltage high to the required voltage logic. Connect the pullup resistor to the proper voltage rail to enable the output to be connected to other devices at the correct interface voltage levels.

To select the right pullup resistor consider system  $V_{OH}$  and the Open-Drain Leakage Current ( $I_{lkq}$ ) provided in the electrical characteristics, high resistors values have a higher voltage drop affecting the output voltage high. The open-drain output can be connected as a wired-AND logic with other open-drain signals such as another TPS3762-Q1 open-drain output pin.

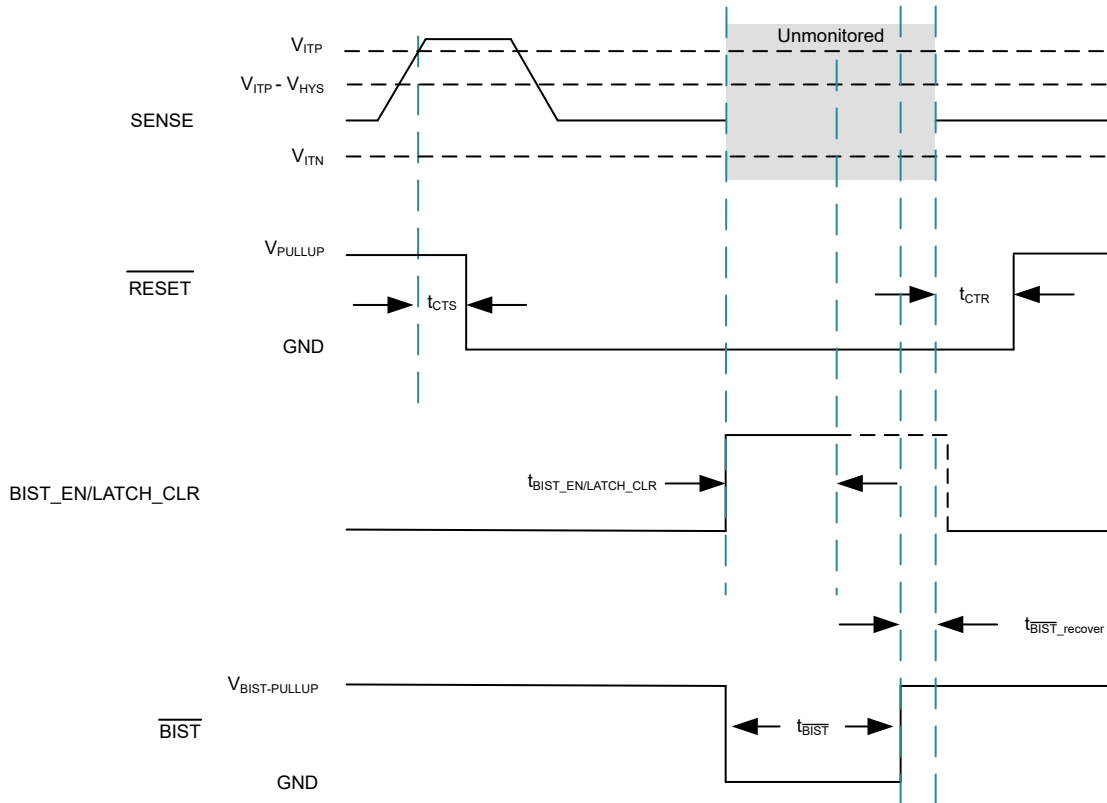
#### 7.3.3.2 Active-Low ( $\overline{\text{RESET}}$ )

$\overline{\text{RESET}}$  (active low) denoted with a bar above the pin label.  $\overline{\text{RESET}}$  remains high voltage ( $V_{OH}$ , deasserted) as long as sense voltage is in normal operation within the threshold boundaries and VDD voltage is above UVLO. To assert a reset sense pins needs to meet the condition below:

- For undervoltage the SENSE voltage need to cross the lower boundary ( $V_{ITN}$ ).
- For overvoltage the SENSE voltage needs to cross the upper boundary ( $V_{ITP}$ ).

### 7.3.3.3 Latch

The TPS3762-Q1 comes with the optional output reset latching feature, check the [Section 4](#) to verify variant specific latch functionality. Pin 6 features an internal 100kΩ pulldown resistor which enables latch a startup. When using a variant with latch enabled ( $V_{BIST\_EN/LATCH\_CLR} < 0.5V$ ), whenever a fault, OV or UV, occurs  $\overline{RESET}$  asserts and goes low and remains low until cleared by a logic high input ( $V_{BIST\_EN/LATCH\_CLR} > 1.3V$ ) on the BIST\_EN / LATCH\_CLR pin. If the SENSE pin is in a safe region and latch is disabled, the  $\overline{RESET}$  deasserts after a delay. This delay is dependent on BIST and CTR timing. See [Section 7.3.6](#) for more details. While  $V_{BIST\_EN/LATCH\_CLR} > 1.3V$ , the device is in latch disabled mode and the  $\overline{RESET}$  does not latch for OV and UV on SENSE pin. While the device is in latch disabled mode the  $\overline{RESET}$  asserts for OV and UV faults for the reset delay time. When  $V_{BIST\_EN/LATCH\_CLR} < 0.5V$ , latch mode is enabled.



**Figure 7-6.  $\overline{RESET}$  Latch & Unlatch**

### 7.3.3.4 UVBypass

The TPS3762-Q1 comes with the optional undervoltage bypass (UVbypass) feature, check [Section 4](#) to verify variant specific UVbypass functionality. When using a variant with UVbypass enabled, the first undervoltage event after  $V_{DD} > V_{POR}$  is ignored. In cases where an undervoltage event has not occurred UVbypass can be cleared by running BIST.

UVbypass is targeted at specific applications in which the TPS3762-Q1 is powered Off-battery and is monitoring the Off-battery DC-DC output, as shown in [Figure 7-7](#). If the Off-battery DCDC output is outside of threshold the TPS3762-Q1 resets this device. See [Figure 7-8](#) and [Figure 7-9](#) for more details.

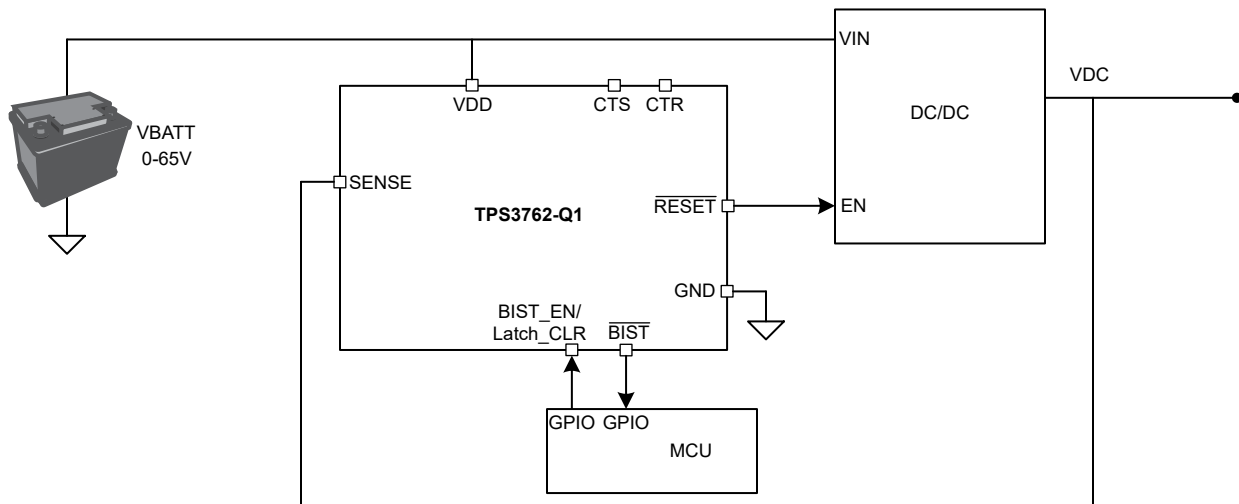


Figure 7-7. UVbypass Schematic

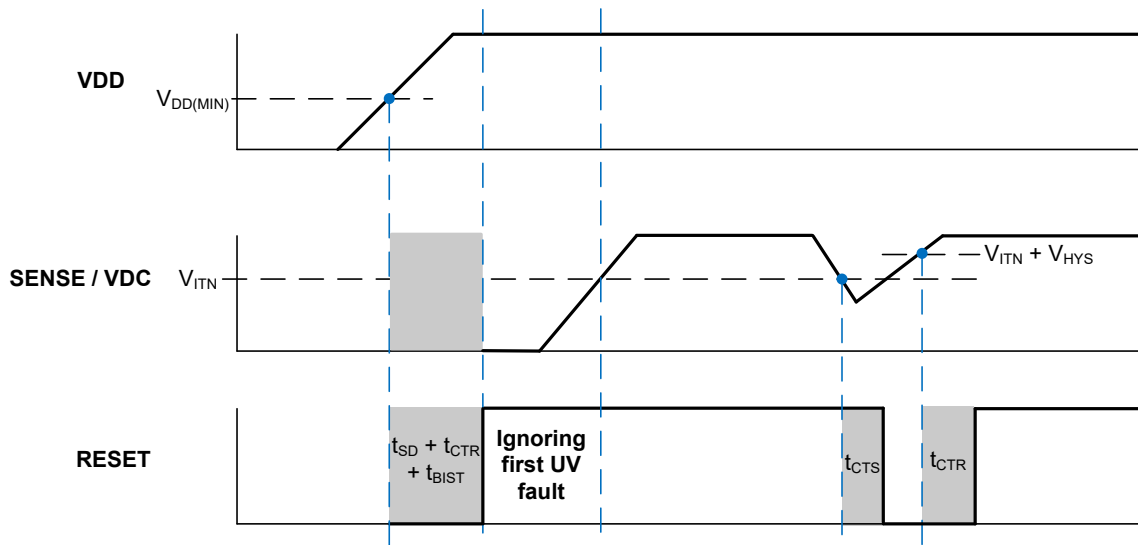


Figure 7-8. UVbypass Enabled

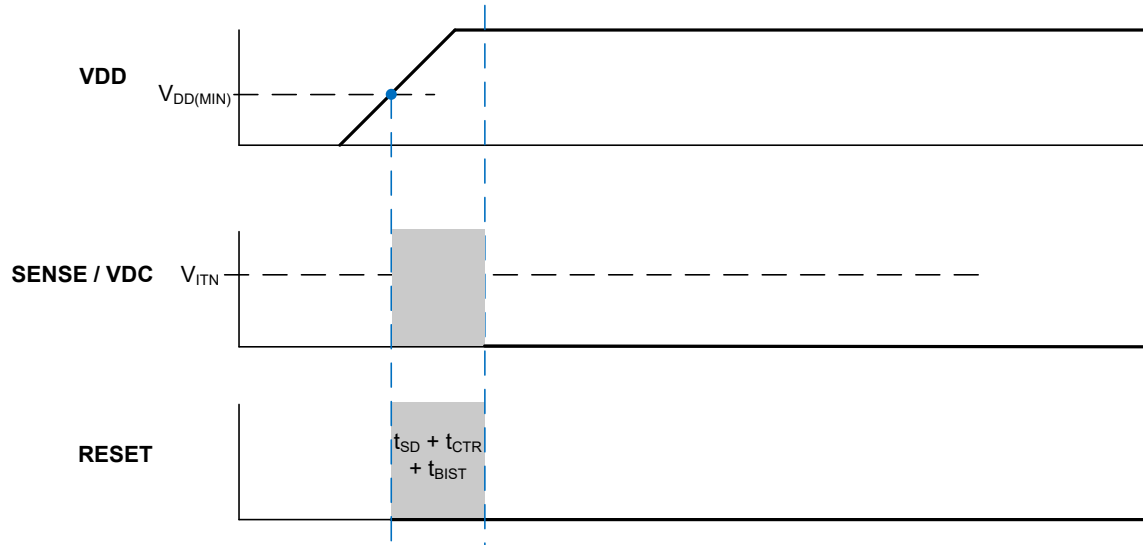


Figure 7-9. UVbypass Disabled

### 7.3.4 User-Programmable Reset Time Delay

TPS3762-Q1 has adjustable reset release time delay with external capacitors.

- A capacitor on CTR programs the reset time delay of the output.
- No capacitor on this pin gives the fastest reset delay time indicated by  $t_{CTR}$  in [Section 6.6](#).
- Variants such as TPS3762Q use a fixed internal time delay. check the [Section 4](#) to verify variant specific timing.

#### 7.3.4.1 Reset Time Delay Configuration

RESET time delay ( $t_{CTR}$ ) occurs when the  $\overline{\text{RESET}}$  is transitioning from a fault state ( $V_{OL}$ ) to a non-fault state ( $V_{OH}$ ). The time delay ( $t_{CTR}$ ) can be programmed by connecting a capacitor between CTR pin and GND. For situations with a fault on SENSE after  $\overline{\text{RESET}}$  recovers, the TPS3762-Q1 makes sure that the CTR capacitor is fully discharged before starting the recovery sequence. This makes sure that the programmed CTR time is maintained for consecutive faults.

The relationship between external capacitor  $C_{CTR\_EXT (typ)}$  in  $\mu\text{F}$  and the time delay  $t_{CTR (typ)}$  in seconds is given by [Equation 1](#).

$$t_{CTR (typ)} = 3.7 \times C_{CTR\_EXT (typ)} + 0.00035 \quad (1)$$

$C_{CTR\_EXT (typ)}$  is given in microfarads ( $\mu\text{F}$ )

$t_{CTR (typ)}$  is given in seconds (s)

The reset delay varies according to three variables: the external capacitor ( $C_{CTR\_EXT}$ ), CTR pin internal resistance ( $R_{CTR}$ ) provided in [Section 6.5](#), and the constant ( $t_{CTR (no\ cap)}$ ) provided in [Section 6.6](#). The minimum and maximum variance due to the constant is show in [Equation 2](#) and [Equation 3](#):

$$t_{CTR (min)} = 2.96 \times C_{CTR\_EXT (min)} \quad (2)$$

$$t_{CTR (max)} = 4.44 \times C_{CTR\_EXT (max)} + 0.00067 \quad (3)$$

There is no limit to the capacitor on CTR pin. Having a too large of a capacitor value can cause very slow charge up (rise times) due to capacitor leakage and system noise can cause the internal circuit to hold  $\overline{\text{RESET}}$  active.

\* Leakages on the capacitor can effect accuracy of reset time delay.

**Table 7-2. Reset Time Delay for Common Ideal Capacitor Values**

$C_{CTR\_EXT}$	RESET TIME DELAY ( $t_{CTR}$ )			UNIT
	MIN <sup>(1)</sup>	TYP	MAX <sup>(1)</sup>	
33nF	97.68	122.45	147.12	ms
100nF	296	370.35	444.6	ms
1 $\mu\text{F}$	2960	3700.35	4440.6	ms

### 7.3.5 User-Programmable Sense Delay

TPS3762-Q1 has adjustable sense release time delay with external capacitors.

- A capacitor on CTS programs the sense time delay of the input.
- No capacitor on this pin gives the fastest sense delay time indicated by  $t_{CTS}$  in [Section 6.7](#).
- The TPS3762-Q1 comes with an optional fixed internal time delay that ignores the capacitor value at the CTS pin, check the [Section 4](#) to verify variant specific functionality.

#### 7.3.5.1 Sense Time Delay Configuration

SENSE time delay ( $t_{CTS}$ ) occurs when the  $\overline{RESET}$  is transitioning from a non-fault state ( $V_{OH}$ ) to a fault state ( $V_{OL}$ ). The time delay ( $t_{CTS}$ ) can be programmed by connecting a capacitor between CTS pin and GND.

The relationship between external capacitor  $C_{CTS\_EXT (typ)}$  in  $\mu F$  and the time delay  $t_{CTS (typ)}$  in seconds is given by [Equation 4](#).

$$t_{CTS (typ)} = 3.7 \times C_{CTS\_EXT (typ)} + 0.000085 \quad (4)$$

$C_{CTS\_EXT (typ)}$  = is given in microfarads ( $\mu F$ )

$t_{CTS (typ)}$  = is given in seconds (s)

The sense delay varies according to three variables: the external capacitor ( $C_{CTS\_EXT}$ ), CTS pin internal resistance ( $R_{CTS}$ ) provided in [Section 6.5](#), and the constant ( $t_{CTS (no cap)}$ ) provided in [Section 6.6](#). The minimum and maximum variance due to the constant is show in [Equation 5](#) and [Equation 6](#):

$$t_{CTS (min)} = 2.96 \times C_{CTS\_EXT (min)} \quad (5)$$

$$t_{CTR (max)} = 4.44 \times C_{CTS\_EXT (max)} + 0.0001 \quad (6)$$

The recommended maximum sense delay capacitor for the TPS3762-Q1 is  $10\mu F$  as this makes sure there is enough time for the capacitor to fully discharge when a voltage fault occurs. Also, having a too large of a capacitor value can cause very slow charge up (rise times) and system noise can cause the internal circuit to trip unpredictably. This leads to a variation in time delay where the delay accuracy can be worse in the presence of system noise.

\* Leakages on the capacitor can effect accuracy of sense time delay.

**Table 7-3. Reset Sense Delay for Common Ideal Capacitor Values**

$C_{CTS\_EXT}$	SENSE TIME DELAY ( $t_{CTS}$ )			UNIT
	MIN (1)	TYP	MAX (1)	
33nF	97.68	122.185	146.62	ms
100nF	296	370.085	444.1	ms
1 $\mu F$	2960	3700.085	4440.1	ms

(1) Minimum and maximum values are calculated using ideal capacitors.

### 7.3.6 Built-In Self-Test

The TPS3762-Q1 has a Built-In Self-Test (BIST) feature that runs diagnostics internally in the device. During power-up BIST is initiated automatically after crossing  $V_{DD(min)}$ . If BIST RESET trigger is enabled in the selected device orderable, during BIST the  $\overline{BIST}$  pin and  $\overline{RESET}$  output asserts low and only deasserts if the  $\overline{BIST}$  test completes successfully indicating no internal faults in the device. If BIST RESET trigger is disabled only the  $\overline{BIST}$  pin asserts low and deasserts if the  $\overline{BIST}$  test completes successfully indicating no internal faults in the device. The length of the BIST and  $\overline{BIST}$  assertion is specified by  $t_{BIST}$ . If BIST is not successful, the  $\overline{BIST}$  pin stays asserted low signifying an internal fault. For BIST RESET trigger enabled device orderables, the  $\overline{RESET}$  output stays asserted on  $\overline{BIST}$  failure. During BIST, the device is not monitoring the SENSE pin for faults and the  $\overline{RESET}$  is not dependent on the SENSE pin voltage. The  $\overline{BIST}$  sequence of internal tests verifies the internal signal chain of the device by checking for faults on the internal comparators on the SENSE pin, bandgap voltage, and the  $\overline{RESET}$  output. See Figure 7-10 for more details.

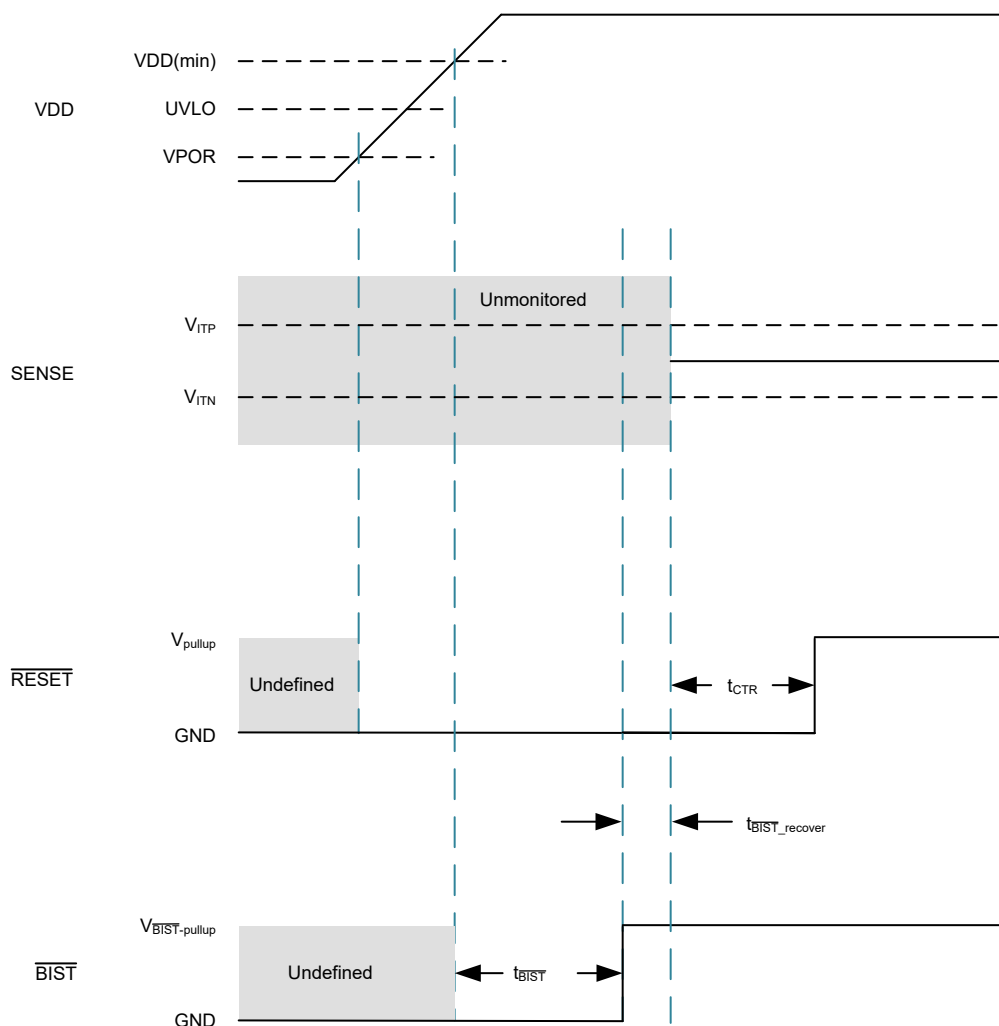
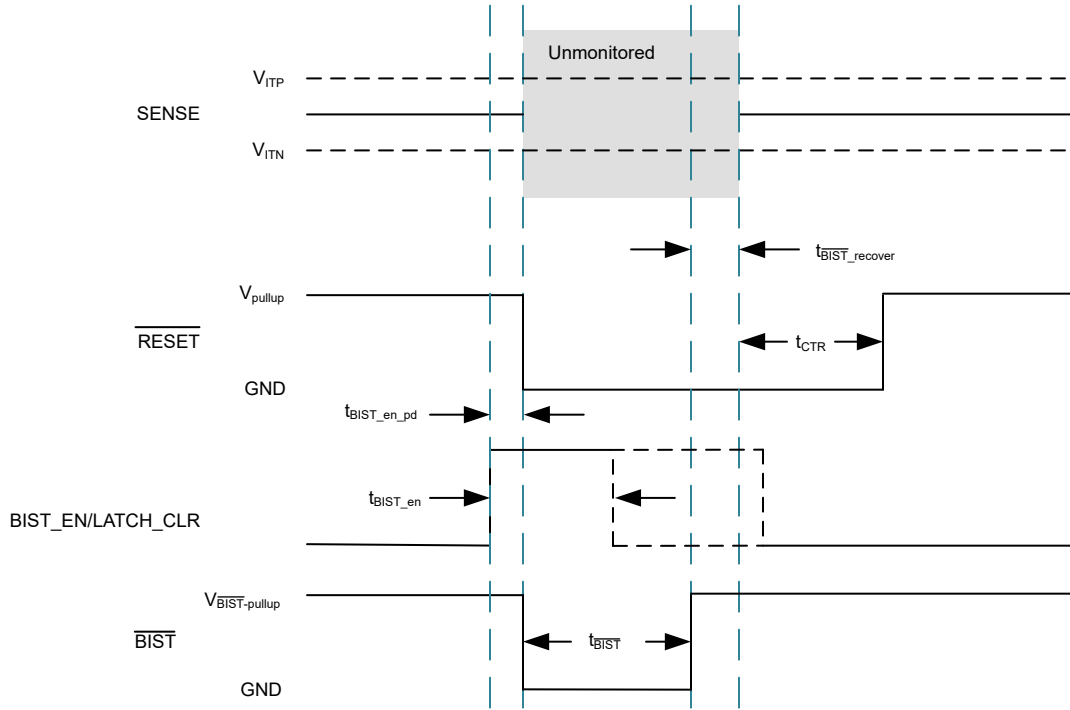
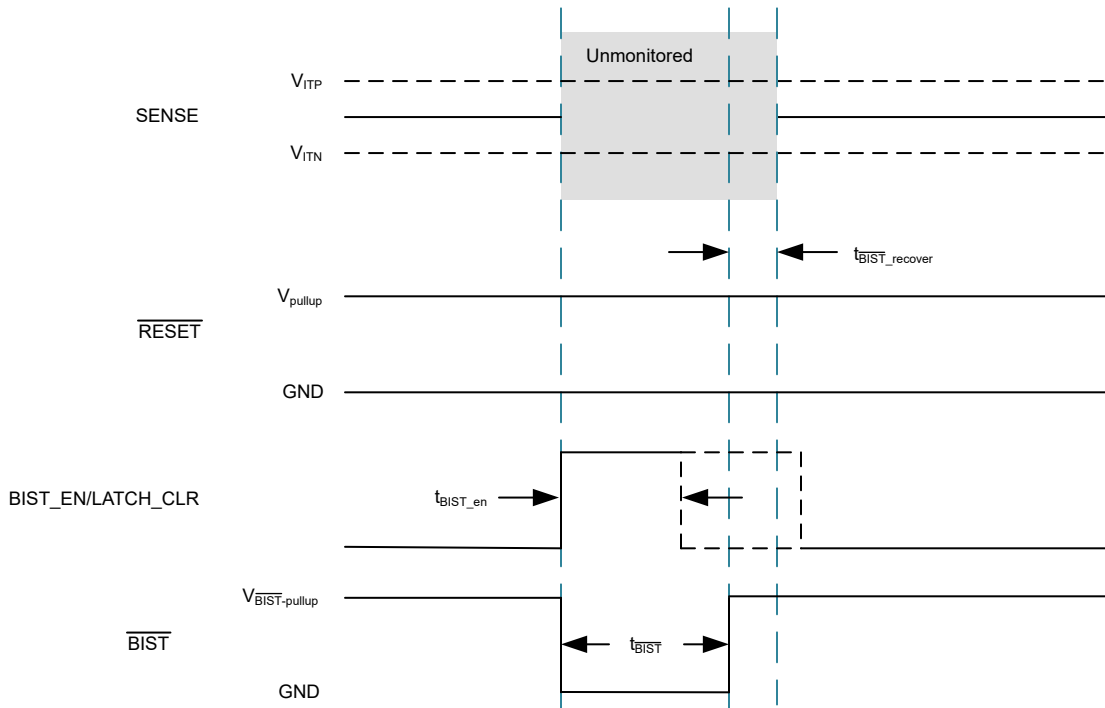


Figure 7-10. TPS3762-Q1 Start-Up Sequence

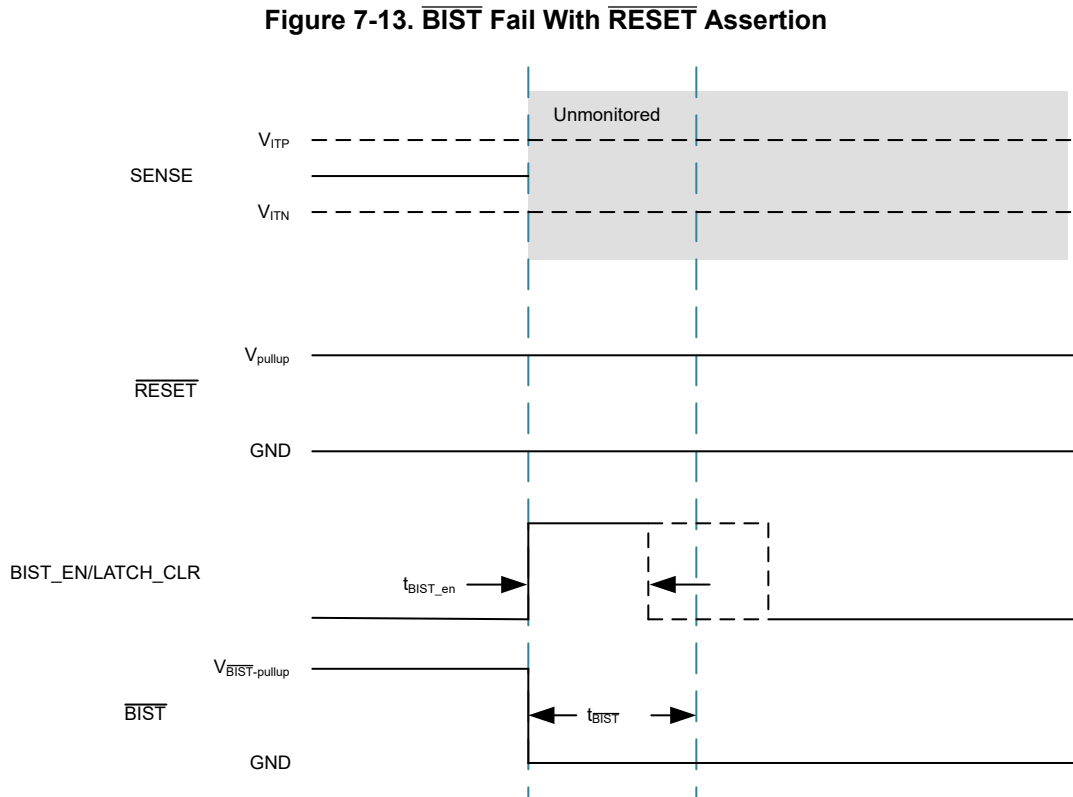
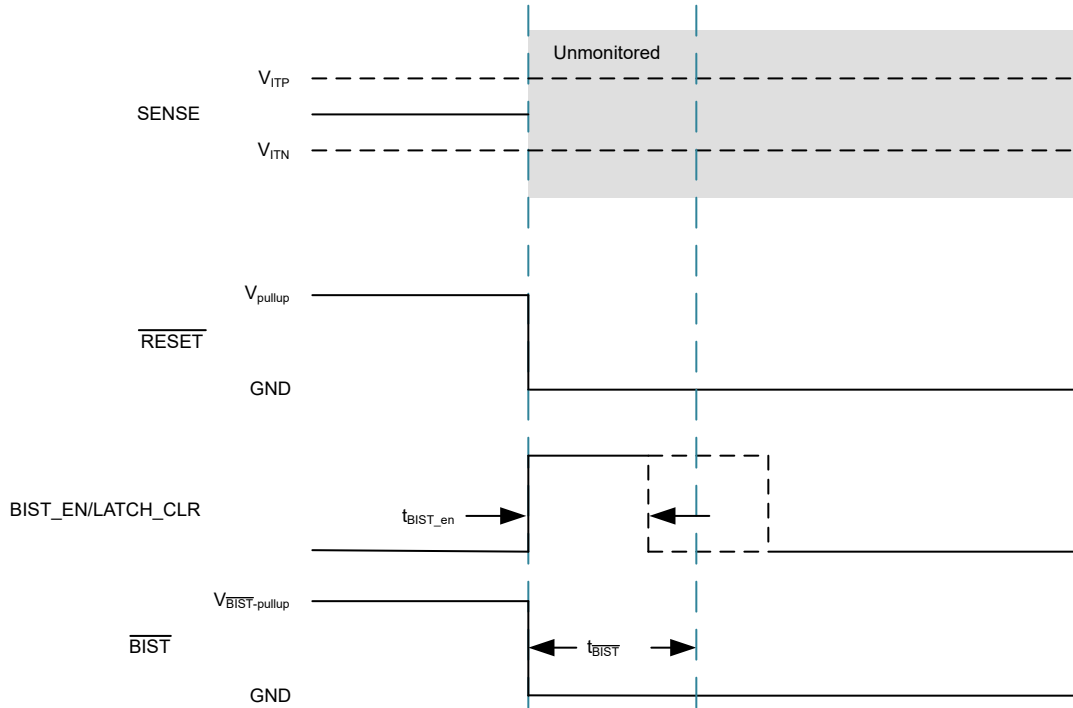
After a successful power-up sequence, BIST can be initiated any time with a logic high input ( $V_{BIST\_EN}$  or  $V_{BIST\_EN/LATCH\_CLR} > 1.3V$ ) on the BIST\_EN / LATCH\_CLR pin. BIST initiates and the  $\overline{BIST}$  pin asserts only if the SENSE pin is not in a overvoltage or undervoltage fault mode. During this BIST test time period,  $t_{BIST}$ ,  $\overline{BIST}$  pin asserts low to signify that  $\overline{BIST}$  has started and  $\overline{RESET}$  assertion is dependent on the device variant. Upon a successful BIST the  $\overline{BIST}$  pin and  $\overline{RESET}$  pin are deasserted. If BIST is not successful due to an internal device not working properly, the  $\overline{RESET}$  pin and  $\overline{BIST}$  pin remain asserted low signifying a fault internal to the device. See Figure 7-11 and Figure 7-12 for more details.



**Figure 7-11.  $\overline{\text{BIST}}$  With  $\overline{\text{RESET}}$  Assertion**



**Figure 7-12.  $\overline{\text{BIST}}$  With No  $\overline{\text{RESET}}$  Assertion**



## 7.4 Device Functional Modes

**Table 7-4. Undervoltage Detect Functional Mode Truth Table**

DESCRIPTION	SENSE		CTR <sup>(1)</sup>	V <sub>DD</sub> PIN	OUTPUT <sup>(2)</sup> (RESET PIN)
	PREVIOUS CONDITION	CURRENT CONDITION			
Normal Operation	SENSE > V <sub>ITN</sub>	SENSE > V <sub>ITN</sub>	Open or capacitor connected	V <sub>DD</sub> > V <sub>DD(MIN)</sub>	High
Undervoltage Detection	SENSE > V <sub>ITN</sub>	SENSE < V <sub>ITN</sub>	Open or capacitor connected	V <sub>DD</sub> > V <sub>DD(MIN)</sub>	Low
Undervoltage Detection	SENSE < V <sub>ITN</sub>	V <sub>ITN</sub> < SENSE < V <sub>ITN</sub> + HYS	Open or capacitor connected	V <sub>DD</sub> > V <sub>DD(MIN)</sub>	Low
Normal Operation	SENSE < V <sub>ITN</sub>	SENSE > V <sub>ITN</sub> + HYS	Open or capacitor connected	V <sub>DD</sub> > V <sub>DD(MIN)</sub>	High
UVLO Engaged	SENSE > V <sub>ITN</sub>	SENSE > V <sub>ITN</sub>	Open or capacitor connected	V <sub>POR</sub> < V <sub>DD</sub> < V <sub>DD(MIN)</sub>	Low
Below V <sub>POR</sub> , Undefined Output	SENSE > V <sub>ITN</sub>	SENSE > V <sub>ITN</sub>	Open or capacitor connected	V <sub>DD</sub> < V <sub>POR</sub>	Undefined

(1) Reset time delay is ignored in the truth table.

(2) Open-drain active low output requires an external pullup resistor to a pull-up voltage.

**Table 7-5. Overvoltage Detect Functional Mode Truth Table**

DESCRIPTION	SENSE		CTR <sup>(1)</sup>	V <sub>DD</sub> PIN	OUTPUT <sup>(2)</sup> (RESET PIN)
	PREVIOUS CONDITION	CURRENT CONDITION			
Normal Operation	SENSE < V <sub>ITP</sub>	SENSE < V <sub>ITP</sub>	Open or capacitor connected	V <sub>DD</sub> > V <sub>DD(MIN)</sub>	High
Overvoltage Detection	SENSE < V <sub>ITP</sub>	SENSE > V <sub>ITP</sub>	Open or capacitor connected	V <sub>DD</sub> > V <sub>DD(MIN)</sub>	Low
Overvoltage Detection	SENSE > V <sub>ITP</sub>	V <sub>ITP</sub> - HYS < SENSE < V <sub>ITP</sub>	Open or capacitor connected	V <sub>DD</sub> > V <sub>DD(MIN)</sub>	Low
Normal Operation	SENSE > V <sub>ITP</sub>	SENSE < V <sub>ITP</sub> - HYS	Open or capacitor connected	V <sub>DD</sub> > V <sub>DD(MIN)</sub>	High
UVLO Engaged	SENSE < V <sub>ITP</sub>	SENSE < V <sub>ITP</sub>	Open or capacitor connected	V <sub>POR</sub> < V <sub>DD</sub> < UVLO	Low
Below V <sub>POR</sub> , Undefined Output	SENSE < V <sub>ITP</sub>	SENSE < V <sub>ITP</sub>	Open or capacitor connected	V <sub>DD</sub> < V <sub>POR</sub>	Undefined

(1) Reset time delay is ignored in the truth table.

(2) Open-drain active low output requires an external pullup resistor to a pull-up voltage.

## 8 Application and Implementation

### Note

Information in the following applications sections is not part of the TI component specification, and TI does not warrant its accuracy or completeness. TI's customers are responsible for determining suitability of components for their purposes, as well as validating and testing their design implementation to confirm system functionality.

### 8.1 Application Information

The following sections describe in detail proper device implementation, depending on the final application requirements.

#### 8.2 Adjustable Voltage Thresholds

Figure 8-1 illustrates an example of how to adjust the voltage threshold with external resistor dividers. The resistors can be calculated depending on the desired voltage threshold and device part number. TI recommends using the adjustable (0.8V voltage threshold device) when setting adjustable voltage thresholds. This variant bypasses the internal resistor ladder.

For example, consider a 12V rail,  $V_{MON}$ , being monitored for overvoltage (OV) using of the TPS3762D02OVDDFRQ1 variant, as shown in Figure 8-1. The monitored OV threshold, denoted as  $V_{MON+}$ , is the desired voltage where the device asserts the reset. For this example  $V_{MON+} = 35V$ . To assert an overvoltage reset the voltage at the sense pin,  $V_{SENSE}$ , needs to be equal to the input threshold positive,  $V_{ITP}$ . For this example variant  $V_{SENSE} = V_{ITP} = 0.8V$ . Using  $R_1$  and  $R_2$  the correlation between  $V_{MON+}$  and  $V_{SENSE}$  can be seen in Equation 8. Assuming  $R_2 = 10k\Omega$ , and  $R_1$  can be calculated as  $R_1 = 427.5k\Omega$ .

$$V_{SENSE} = V_{MON+} \times (R_2 \div (R_1 + R_2)) \quad (7)$$

The TPS3762D02OVDDFRQ1 comes with variant specific 2%, 5%, or 10% voltage threshold hysteresis. For the reset signal to become deasserted,  $V_{MON}$  must go below  $V_{ITP} - V_{HYS}$ . For this example variant a 2% voltage threshold hysteresis is selected. Therefore,  $V_{MON}$  equals 34.3V when the reset signal becomes deasserted.

There are inaccuracies that must be taken into consideration while adjusting voltage thresholds. Aside from the tolerance of the resistor divider, there is the internal resistance of the SENSE pin that can affect the accuracy of the resistor divider. Although expected to be very high impedance, users are recommended to calculate the values for the design specifications. The internal SENSE resistance ( $R_{SENSE}$ ) can be calculated by the SENSE voltage ( $V_{SENSE}$ ) divided by the SENSE current ( $I_{SENSE}$ ) as shown in Equation 9.  $V_{SENSE}$  can be calculated using Equation 7 depending on the resistor divider and monitored voltage.  $I_{SENSE}$  can be calculated using Equation 8.

$$I_{SENSE} = [(V_{MON} - V_{SENSE}) \div R_1] - (V_{SENSE} \div R_2) \quad (8)$$

$$R_{SENSE} = V_{SENSE} \div I_{SENSE} \quad (9)$$

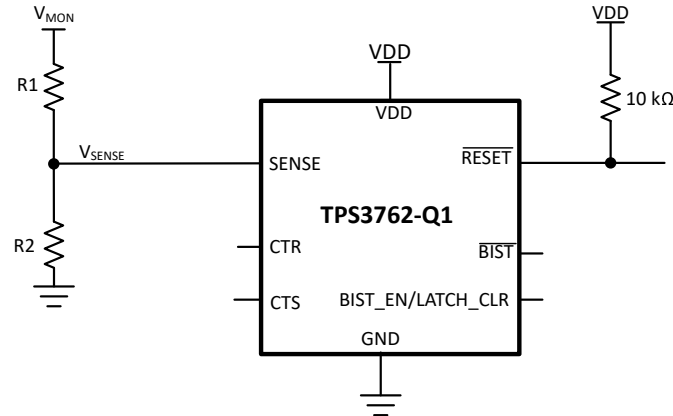


Figure 8-1. Adjustable Voltage Threshold With External Resistor Dividers

### 8.3 Typical Application

#### 8.3.1 Design 1: Off-Battery Monitoring

This application is intended for the initial power stage in applications with the 12V batteries. The TPS3762-Q1 utilizes high-voltage SENSE and  $V_{DD}$  inputs to monitor an automotive battery.

Figure 8-6 illustrates an example of how the TPS3762-Q1 is monitoring the battery voltage while being powered by the battery, as well.

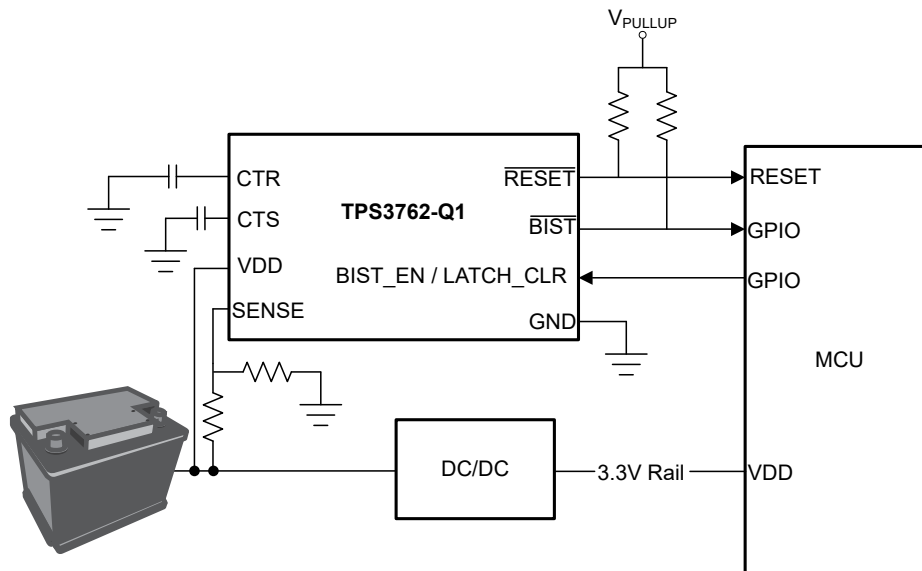


Figure 8-2. Off-Battery Monitoring

### 8.3.1.1 Design Requirements

**Table 8-1. Design Parameters**

PARAMETER	DESIGN REQUIREMENT
Voltage Threshold	Typical OV voltage threshold 30V.
Maximum Input Power	Operate with power supply input up to 65V
Output Logic	Open-Drain
SENSE Delay	>100ms
RESET Delay	>300ms
Output Features	Output latching and built-in self-test

### 8.3.1.2 Detailed Design Procedure

The TPS3762-Q1 utilizes high-voltage SENSE and  $V_{DD}$  inputs to monitor an automotive battery. In this design example TPS3762D02OVDDFRQ1 is used.

#### 8.3.1.2.1 Setting Voltage Threshold

The positive-going threshold voltage,  $V_{ITP}$ , is set by the device variant. In this example, the nominal supply voltage from the battery is 12V. Setting a overvoltage threshold of 30V makes sure that the device resets before supply voltage violates the allowed boundary. The adjustable voltage variant is chosen and  $R_1$  and  $R_2$  are adjusted to meet the threshold. Assuming  $R_2$  equal to 10k $\Omega$  and  $R_1$  is calculated as 365k $\Omega$ . For additional information on selecting resistor values see [Section 8.2](#). TPS3762-Q1 also supports fixed voltage threshold variants. Threshold voltage decoding can be found in [Device Decoder](#).

#### 8.3.1.2.2 Meeting the Sense and Reset Delay

The TPS3762-Q1 features both reset assertion (sense) delay,  $t_{CTS}$ , and reset deassertion (reset) delay,  $t_{CTR}$ . The TPS3762-Q1 features two options for selecting sense and reset delays: fixed delays and capacitor-programmable delays. For the device variant used in this design, TPS3762D02OVDDFRQ1, the capacitor programmable delay is chosen. [Section 7.3.5](#) and [Section 7.3.4](#) show how to set the timings for the capacitor-programmable delays. The application requires greater than 100ms sense delay, thus a 0.033 $\mu$ F capacitor is used. The application requires greater than 300ms reset delay, thus a 0.1 $\mu$ F capacitor is used.

#### 8.3.1.2.3 Setting Supply Voltage

Setting the supply voltage is done by connecting the  $V_{DD}$  input directly to the battery rail without the need for external circuitry. The device being able to handle 65V on  $V_{DD}$  means the monitored voltage rail can handle any voltage transience up to 65V. Good analog design practice recommends using a 0.1 $\mu$ F capacitor on the  $V_{DD}$  pin.

#### 8.3.1.2.4 Initiating Built-In Self-Test and Clearing Latch

Built-In Self-Test (BIST) is asserted on device power-up, as outlined in [Figure 7-10](#). BIST can also be initiated any time by a rising edge that crosses the voltage logic high input ( $V_{BIST\_EN}$  or  $V_{BIST\_EN/LATCH\_CLR} > 1.3V$ ) on the BIST\_EN / LATCH\_CLR pin, as outlined in [Figure 7-11](#). Output reset latching is set by the device variant. For the device variant used in this design, TPS3762D02OVDDFRQ1, the output has latch. Device specific output reset latching feature can be found in [Device Decoder](#). To clear the latch a logic high input on the BIST\_EN / LATCH\_CLR pin is required. When clearing latch, BIST is initiated and the RESET returns logic level high once  $t_{BIST} + t_{BIST\_recover} + t_{CTR}$  has expired, outlined in [Figure 7-6](#). While  $V_{BIST\_EN/LATCH\_CLR} > 1.3V$ , the device is in latch disabled mode and the RESET does not latch for OV and UV on SENSE pin. While the device is in latch disabled mode the RESET still asserts for OV and UV faults.

### 8.3.1.3 Application Curves

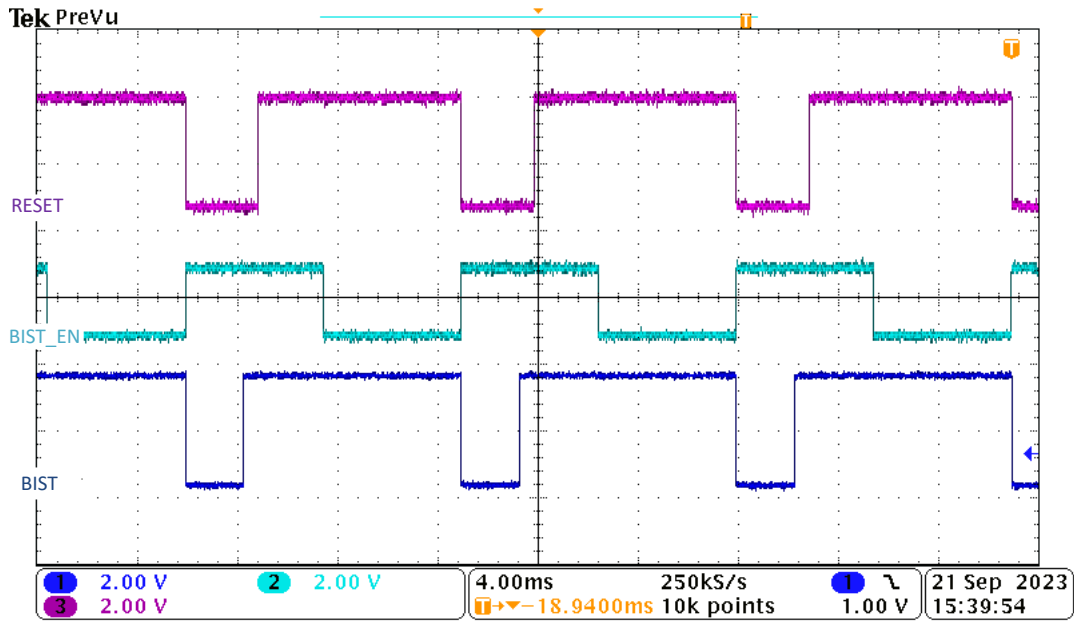


Figure 8-3. BIST With  $\overline{\text{RESET}}$  Assertion Waveform

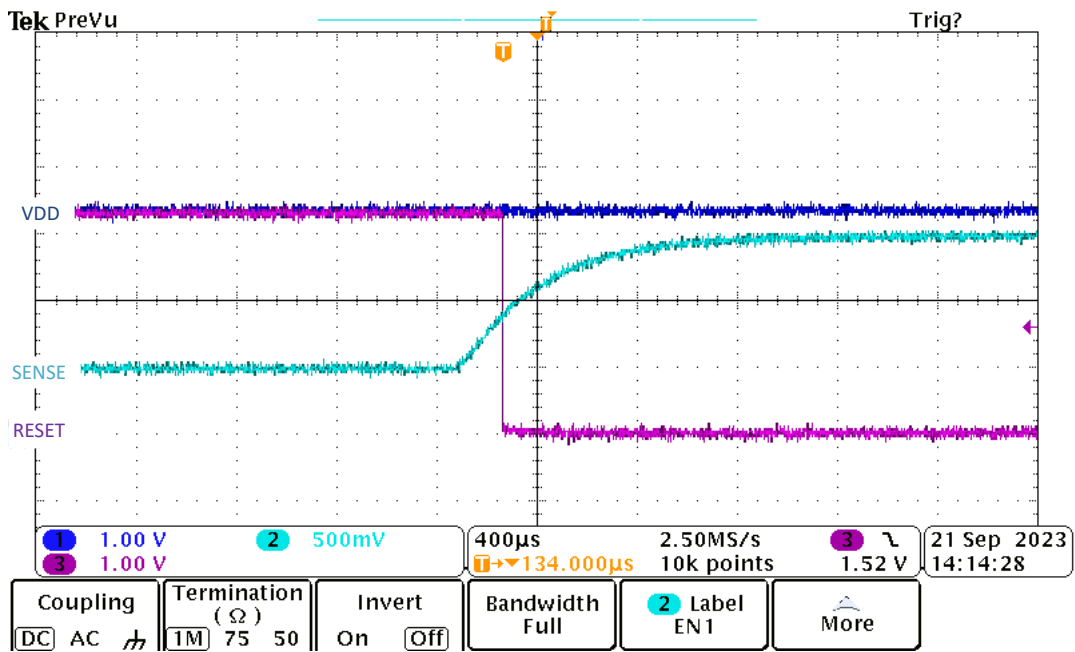


Figure 8-4. Overvoltage  $\overline{\text{RESET}}$  Latching Waveform

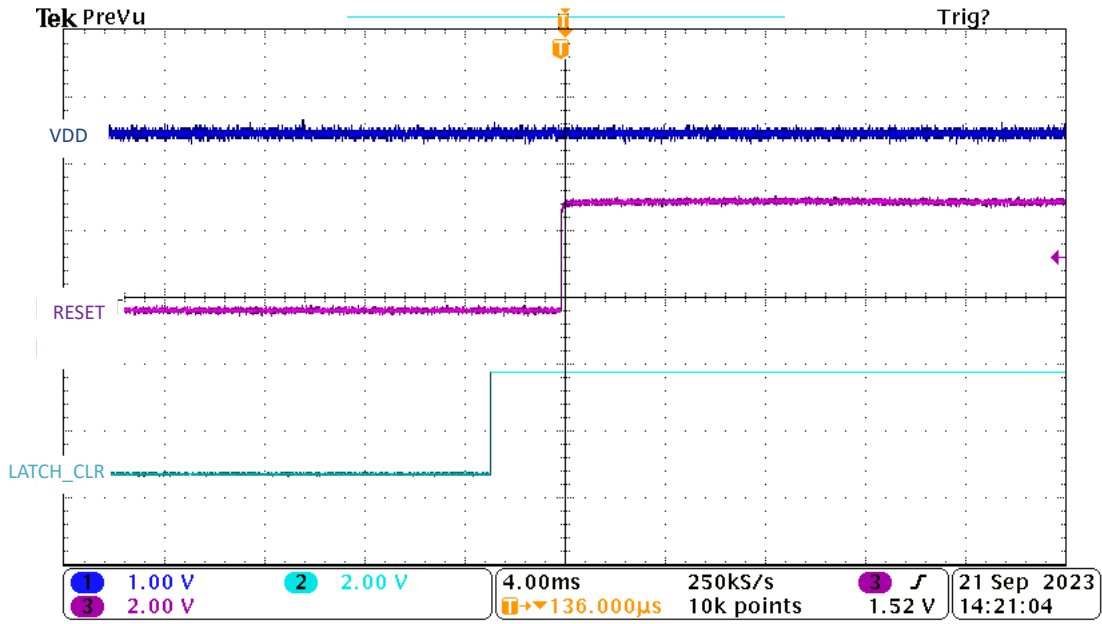


Figure 8-5. Overvoltage  $\overline{\text{RESET}}$  Unlatching Waveform

## 8.4 Power Supply Recommendations

TPS3762-Q1 is designed to operate from an input supply with a  $V_{DD}$  voltage between 2.7V (minimum operation) to 65V (maximum operation). Good analog design practice recommends placing a minimum 0.1 $\mu$ F ceramic capacitor as near as possible to the  $V_{DD}$  pin.

### 8.4.1 Power Dissipation and Device Operation

The permissible power dissipation for any package is a measure of the capability of the device to pass heat from the power source, the junctions of the IC, to the ultimate heat sink, the ambient environment. Thus, the power dissipation is dependent on the ambient temperature and the thermal resistance across the various interfaces between the die junction and ambient air.

The maximum continuous allowable power dissipation for the device in a given package can be calculated using [Equation 10](#):

$$P_{D-MAX} = ((T_{J-MAX} - T_A) / R_{\theta JA}) \quad (10)$$

The actual power being dissipated in the device can be represented by [Equation 11](#):

$$P_D = V_{DD} \times I_{DD} + P_{RESET} \quad (11)$$

$P_{RESET}$  is calculated by [Equation 12](#) or [Equation 13](#)

$$P_{RESET (PUSH/PULL)} = V_{DD} - V_{RESET} \times I_{RESET} \quad (12)$$

$$P_{RESET (OPEN-DRAIN)} = V_{RESET} \times I_{RESET} \quad (13)$$

[Equation 10](#) and [Equation 11](#) establish the relationship between the maximum power dissipation allowed due to thermal consideration, the voltage drop across the device, and the continuous current capability of the device. These two equations must be used to determine the optimum operating conditions for the device in the application.

In applications where lower power dissipation ( $P_D$ ) and/or excellent package thermal resistance ( $R_{\theta JA}$ ) is present, the maximum ambient temperature ( $T_{A-MAX}$ ) can be increased.

In applications where high power dissipation or poor package thermal resistance is present, the maximum ambient temperature ( $T_{A-MAX}$ ) can require de-rating.  $T_{A-MAX}$  is dependent on the maximum operating junction temperature ( $T_{J-MAX-OP} = 125^\circ\text{C}$ ), the maximum allowable power dissipation in the device package in the application ( $P_{D-MAX}$ ), and the junction-to ambient thermal resistance of the part or package in the application ( $R_{\theta JA}$ ), as given by [Equation 14](#):

$$T_{A-MAX} = (T_{J-MAX-OP} - (R_{\theta JA} \times P_{D-MAX})) \quad (14)$$

## 8.5 Layout

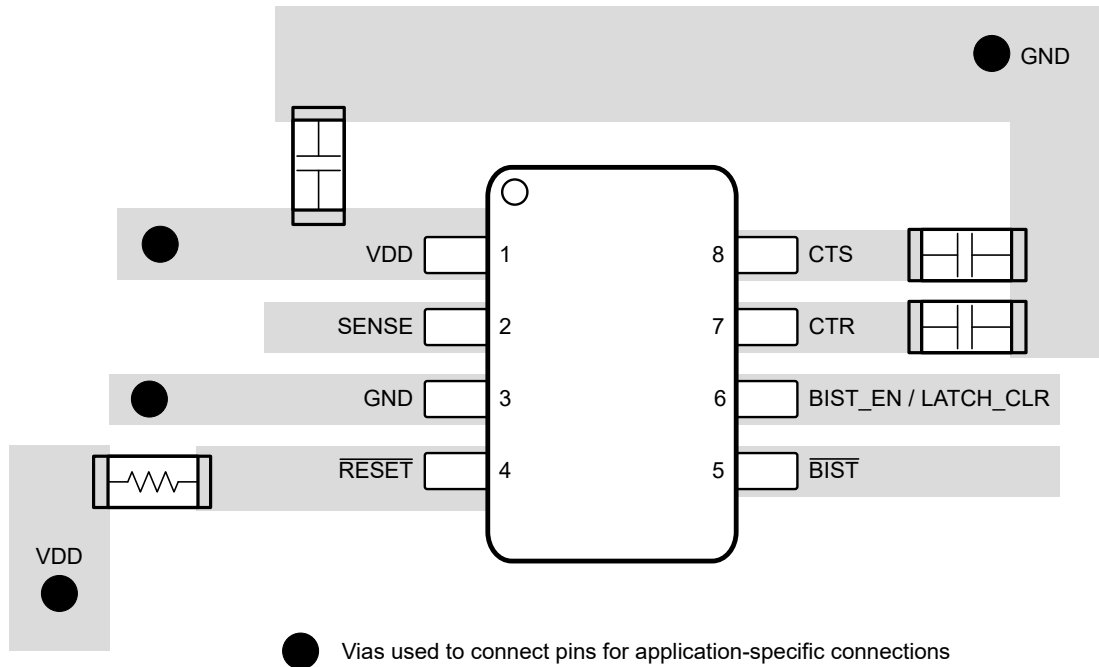
### 8.5.1 Layout Guidelines

- Make sure that the connection to the VDD pin is low impedance. Good analog design practice is to place a greater than 0.1 $\mu$ F ceramic capacitor as near as possible to the VDD pin.
- To further improve the noise immunity on the SENSE pins, placing a 10nF to 100nF capacitor between the SENSE pin and GND can reduce the sensitivity to transient voltages on the monitored signal.
- If a capacitor is used on CTS or CTR, place these components as close as possible to the respective pins. If the capacitor adjustable pins are left unconnected, make sure to minimize the amount of parasitic capacitance on the pins to less than 5pF.
- Place the pull-up resistors on  $\overline{RESET}$  as close to the pin as possible.
- When laying out metal traces, separate high voltage traces from low voltage traces as much as possible. If high and low voltage traces need to run close by, spacing between traces must be greater than 20mils (0.5mm).

- Do not have high voltage metal pads or traces closer than 20 mils (0.5mm) to the low voltage metal pads or traces.

### 8.5.2 Layout Example

The layout example in [Figure 8-6](#) shows how the TPS3762-Q1-Q1 is laid out on a printed circuit board (PCB) with user-defined delays.



**Figure 8-6. TPS3762-Q1-Q1 Recommended Layout**

## 9 Device and Documentation Support

### 9.1 Documentation Support

#### 9.1.1 Related Documentation

The following related documents are available for download at [www.ti.com](http://www.ti.com):

- *Optimizing Resistor Dividers at a Comparator Input*, [SLVA450](#)
- *Sensitivity Analysis for Power Supply Design*, [SLVA481](#)
- *Getting Started With TMS320C28x Digital Signal Controllers*, [SPRAAM0](#)
- TPS3762-Q1B-Q1EVM-775 Evaluation Module User Guide, [SBVU030](#)
- [C2000 Delfino Family of Microprocessors](#)
- [TMS320F2833x](#) microcontroller, [SPRS439](#)

### 9.2 Receiving Notification of Documentation Updates

To receive notification of documentation updates, navigate to the device product folder on [ti.com](http://ti.com). Click on *Notifications* to register and receive a weekly digest of any product information that has changed. For change details, review the revision history included in any revised document.

### 9.3 Support Resources

[TI E2E™ support forums](#) are an engineer's go-to source for fast, verified answers and design help — straight from the experts. Search existing answers or ask your own question to get the quick design help you need.

Linked content is provided "AS IS" by the respective contributors. They do not constitute TI specifications and do not necessarily reflect TI's views; see TI's [Terms of Use](#).

### 9.4 Trademarks

TI E2E™ is a trademark of Texas Instruments.

All trademarks are the property of their respective owners.

### 9.5 Electrostatic Discharge Caution



This integrated circuit can be damaged by ESD. Texas Instruments recommends that all integrated circuits be handled with appropriate precautions. Failure to observe proper handling and installation procedures can cause damage.

ESD damage can range from subtle performance degradation to complete device failure. Precision integrated circuits may be more susceptible to damage because very small parametric changes could cause the device not to meet its published specifications.

### 9.6 Glossary

[TI Glossary](#) This glossary lists and explains terms, acronyms, and definitions.

## 10 Revision History

NOTE: Page numbers for previous revisions may differ from page numbers in the current version.

Changes from Revision A (May 2024) to Revision B (February 2026)	Page
• Changed Features for better clarity.....	1
• Changed 5µs to 3µs.....	1
• Updated Description wording for clarity.....	1
• Added Package Size to Package Information.....	1
• Moved Device Nomenclature as a subsection of Device Comparison.....	3
• Added additional devices to Device Nomenclature.....	3
• Added additional device decoder.....	3
• Updated pin description for BIST_EN / LATCH_CLR.....	6
• Updated Absolute Maximum Ratings, Recommended Operating Conditions, Electrical Characteristics, Timing Requirements, and Switching Characteristics with additional specifications for fixed voltage threshold variants.....	7

• Updated table note 1 in Absolute Maximum Ratings to the latest standard.....	7
• Updated test condition wording for clarity in Electrical Characteristics and Switching Requirements.....	7
• Changed "TCTS" to "Tpd or TCTS".....	13
• Removed Reverse Polarity Protection from Adjustable Threshold Functional Block Diagram.....	17
• Updated wording in Latch section for clarity.....	23
• Changed title from Latching to Latch.....	23
• Updated CTR equations for clarity.....	26
• Added example Reset Time Delay capacitor values.....	26
• Updated CTS equations for clarity.....	27
• Added example Sense Time Delay capacitor values.....	27
• Updated Built-In Self-Test for clarity.....	28

---

<b>Changes from Revision * (October 2023) to Revision A (May 2024)</b>	<b>Page</b>
• Production Data release.....	1

---

## 11 Mechanical, Packaging, and Orderable Information

The following pages include mechanical, packaging, and orderable information. This information is the most current data available for the designated devices. This data is subject to change without notice and revision of this document. For browser-based versions of this data sheet, refer to the left-hand navigation.

**PACKAGING INFORMATION**

Orderable part number	Status (1)	Material type (2)	Package   Pins	Package qty   Carrier	RoHS (3)	Lead finish/ Ball material (4)	MSL rating/ Peak reflow (5)	Op temp (°C)	Part marking (6)
<a href="#">TPS3762BUV05DDFRQ1</a>	Active	Production	SOT-23-THIN (DDF)   8	3000   LARGE T&R	Yes	NIPDAU	Level-1-260C-UNLIM	-40 to 125	62BUV
<a href="#">TPS3762D02OVDDFRQ1</a>	Active	Production	SOT-23-THIN (DDF)   8	3000   LARGE T&R	Yes	NIPDAU	Level-1-260C-UNLIM	-40 to 125	62D02
TPS3762D02OVDDFRQ1.A	Active	Production	SOT-23-THIN (DDF)   8	3000   LARGE T&R	Yes	NIPDAU	Level-1-260C-UNLIM	-40 to 125	62D02
TPS3762D02OVDDFRQ1.B	Active	Production	SOT-23-THIN (DDF)   8	3000   LARGE T&R	-	Call TI	Call TI	-40 to 125	
<a href="#">TPS3762EG4OVDDFRQ1</a>	Active	Production	SOT-23-THIN (DDF)   8	3000   LARGE T&R	Yes	NIPDAU	Level-1-260C-UNLIM	-40 to 125	62EG4
<a href="#">TPS3762EUUV02DDFRQ1</a>	Active	Production	SOT-23-THIN (DDF)   8	3000   LARGE T&R	Yes	NIPDAU	Level-1-260C-UNLIM	-40 to 125	62EU2
<a href="#">TPS3762EUVF4DDFRQ1</a>	Active	Production	SOT-23-THIN (DDF)   8	3000   LARGE T&R	Yes	NIPDAU	Level-1-260C-UNLIM	-40 to 125	62EF4
<a href="#">TPS3762F02OVDDFRQ1</a>	Active	Production	SOT-23-THIN (DDF)   8	3000   LARGE T&R	Yes	NIPDAU	Level-1-260C-UNLIM	-40 to 125	62F02

(1) **Status:** For more details on status, see our [product life cycle](#).

(2) **Material type:** When designated, preproduction parts are prototypes/experimental devices, and are not yet approved or released for full production. Testing and final process, including without limitation quality assurance, reliability performance testing, and/or process qualification, may not yet be complete, and this item is subject to further changes or possible discontinuation. If available for ordering, purchases will be subject to an additional waiver at checkout, and are intended for early internal evaluation purposes only. These items are sold without warranties of any kind.

(3) **RoHS values:** Yes, No, RoHS Exempt. See the [TI RoHS Statement](#) for additional information and value definition.

(4) **Lead finish/Ball material:** Parts may have multiple material finish options. Finish options are separated by a vertical ruled line. Lead finish/Ball material values may wrap to two lines if the finish value exceeds the maximum column width.

(5) **MSL rating/Peak reflow:** The moisture sensitivity level ratings and peak solder (reflow) temperatures. In the event that a part has multiple moisture sensitivity ratings, only the lowest level per JEDEC standards is shown. Refer to the shipping label for the actual reflow temperature that will be used to mount the part to the printed circuit board.

(6) **Part marking:** There may be an additional marking, which relates to the logo, the lot trace code information, or the environmental category of the part.

Multiple part markings will be inside parentheses. Only one part marking contained in parentheses and separated by a "~" will appear on a part. If a line is indented then it is a continuation of the previous line and the two combined represent the entire part marking for that device.

**Important Information and Disclaimer:**The information provided on this page represents TI's knowledge and belief as of the date that it is provided. TI bases its knowledge and belief on information provided by third parties, and makes no representation or warranty as to the accuracy of such information. Efforts are underway to better integrate information from third parties. TI has taken and continues to take reasonable steps to provide representative and accurate information but may not have conducted destructive testing or chemical analysis on incoming materials and chemicals. TI and TI suppliers consider certain information to be proprietary, and thus CAS numbers and other limited information may not be available for release.

In no event shall TI's liability arising out of such information exceed the total purchase price of the TI part(s) at issue in this document sold by TI to Customer on an annual basis.

**OTHER QUALIFIED VERSIONS OF TPS3762-Q1 :**

- Catalog : [TPS3762](#)

NOTE: Qualified Version Definitions:

- Catalog - TI's standard catalog product

**TAPE AND REEL INFORMATION**

**QUADRANT ASSIGNMENTS FOR PIN 1 ORIENTATION IN TAPE**


\*All dimensions are nominal

Device	Package Type	Package Drawing	Pins	SPQ	Reel Diameter (mm)	Reel Width W1 (mm)	A0 (mm)	B0 (mm)	K0 (mm)	P1 (mm)	W (mm)	Pin1 Quadrant
TPS3762BUV05DDDFRQ1	SOT-23-THIN	DDF	8	3000	180.0	8.4	3.2	3.2	1.4	4.0	8.0	Q3
TPS3762D02OVDDDFRQ1	SOT-23-THIN	DDF	8	3000	180.0	8.4	3.2	3.2	1.4	4.0	8.0	Q3
TPS3762EG4OVDDDFRQ1	SOT-23-THIN	DDF	8	3000	180.0	8.4	3.2	3.2	1.4	4.0	8.0	Q3
TPS3762EUV02DDDFRQ1	SOT-23-THIN	DDF	8	3000	180.0	8.4	3.2	3.2	1.4	4.0	8.0	Q3
TPS3762EUVF4DDDFRQ1	SOT-23-THIN	DDF	8	3000	180.0	8.4	3.2	3.2	1.4	4.0	8.0	Q3
TPS3762F02OVDDDFRQ1	SOT-23-THIN	DDF	8	3000	180.0	8.4	3.2	3.2	1.4	4.0	8.0	Q3

**TAPE AND REEL BOX DIMENSIONS**


\*All dimensions are nominal

Device	Package Type	Package Drawing	Pins	SPQ	Length (mm)	Width (mm)	Height (mm)
TPS3762BUV05DDFRQ1	SOT-23-THIN	DDF	8	3000	210.0	185.0	35.0
TPS3762D02OVDDFRQ1	SOT-23-THIN	DDF	8	3000	210.0	185.0	35.0
TPS3762EG4OVDDFRQ1	SOT-23-THIN	DDF	8	3000	210.0	185.0	35.0
TPS3762EUV02DDFRQ1	SOT-23-THIN	DDF	8	3000	210.0	185.0	35.0
TPS3762EUVF4DDFRQ1	SOT-23-THIN	DDF	8	3000	210.0	185.0	35.0
TPS3762F02OVDDFRQ1	SOT-23-THIN	DDF	8	3000	210.0	185.0	35.0

# DDF0008A



# PACKAGE OUTLINE

## SOT-23-THIN - 1.1 mm max height

PLASTIC SMALL OUTLINE



4222047/E 07/2024

**NOTES:**

1. All linear dimensions are in millimeters. Any dimensions in parenthesis are for reference only. Dimensioning and tolerancing per ASME Y14.5M.
2. This drawing is subject to change without notice.
3. This dimension does not include mold flash, protrusions, or gate burrs. Mold flash, protrusions, or gate burrs shall not exceed 0.15 mm per side.

# EXAMPLE BOARD LAYOUT

DDF0008A

SOT-23-THIN - 1.1 mm max height

PLASTIC SMALL OUTLINE



LAND PATTERN EXAMPLE  
EXPOSED METAL SHOWN  
SCALE:15X



SOLDER MASK DETAILS

4222047/E 07/2024

NOTES: (continued)

- 4. Publication IPC-7351 may have alternate designs.
- 5. Solder mask tolerances between and around signal pads can vary based on board fabrication site.

# EXAMPLE STENCIL DESIGN

DDF0008A

SOT-23-THIN - 1.1 mm max height

PLASTIC SMALL OUTLINE



SOLDER PASTE EXAMPLE  
BASED ON 0.125 mm THICK STENCIL  
SCALE:15X

4222047/E 07/2024

NOTES: (continued)

6. Laser cutting apertures with trapezoidal walls and rounded corners may offer better paste release. IPC-7525 may have alternate design recommendations.
7. Board assembly site may have different recommendations for stencil design.

## IMPORTANT NOTICE AND DISCLAIMER

TI PROVIDES TECHNICAL AND RELIABILITY DATA (INCLUDING DATASHEETS), DESIGN RESOURCES (INCLUDING REFERENCE DESIGNS), APPLICATION OR OTHER DESIGN ADVICE, WEB TOOLS, SAFETY INFORMATION, AND OTHER RESOURCES "AS IS" AND WITH ALL FAULTS, AND DISCLAIMS ALL WARRANTIES, EXPRESS AND IMPLIED, INCLUDING WITHOUT LIMITATION ANY IMPLIED WARRANTIES OF MERCHANTABILITY, FITNESS FOR A PARTICULAR PURPOSE OR NON-INFRINGEMENT OF THIRD PARTY INTELLECTUAL PROPERTY RIGHTS.

These resources are intended for skilled developers designing with TI products. You are solely responsible for (1) selecting the appropriate TI products for your application, (2) designing, validating and testing your application, and (3) ensuring your application meets applicable standards, and any other safety, security, regulatory or other requirements.

These resources are subject to change without notice. TI grants you permission to use these resources only for development of an application that uses the TI products described in the resource. Other reproduction and display of these resources is prohibited. No license is granted to any other TI intellectual property right or to any third party intellectual property right. TI disclaims responsibility for, and you fully indemnify TI and its representatives against any claims, damages, costs, losses, and liabilities arising out of your use of these resources.

TI's products are provided subject to [TI's Terms of Sale](#), [TI's General Quality Guidelines](#), or other applicable terms available either on [ti.com](http://ti.com) or provided in conjunction with such TI products. TI's provision of these resources does not expand or otherwise alter TI's applicable warranties or warranty disclaimers for TI products. Unless TI explicitly designates a product as custom or customer-specified, TI products are standard, catalog, general purpose devices.

TI objects to and rejects any additional or different terms you may propose.

Copyright © 2026, Texas Instruments Incorporated

Last updated 10/2025