

1.2 A/1.25 MHz, HIGH-EFFICIENCY STEP-DOWN CONVERTER

FEATURES

- Up to 95% Conversion Efficiency
- Typical Quiescent Current: 18 μ A
- Load Current: 1.2 A
- Operating Input Voltage Range: 2.5 V to 6.0 V
- Switching Frequency: 1.25 MHz
- Adjustable and Fixed Output Voltage
- Power Save Mode Operation at Light load Currents
- 100% Duty Cycle for Lowest Dropout
- Internal Softstart
- Dynamic Output Voltage Positioning
- Thermal Shutdown
- Short-Circuit Protection
- 10 Pin MSOP PowerPad™ Package
- 10 Pin QFN 3 X 3 mm Package

- USB Powered Modems
- CPUs and DSPs
- PC Cards and Notebooks
- xDSL Applications
- Standard 5-V to 3.3-V Conversion

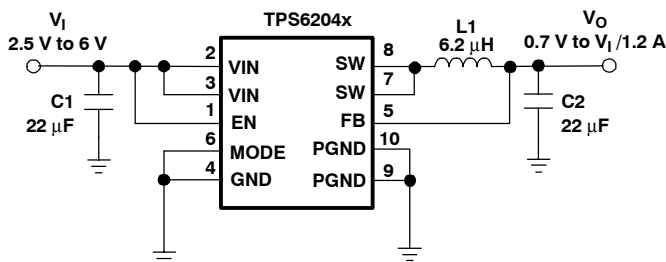
DESCRIPTION

The TPS6204x family of devices are high efficiency synchronous step-down dc-dc converters optimized for battery powered portable applications. The devices are ideal for portable applications powered by a single Li-Ion battery cell or by 3-cell NiMH/NiCd batteries. With an output voltage range from 6.0 V down to 0.7 V, the devices support low voltage DSPs and processors in PDAs, pocket PCs, as well as notebooks and subnotebook computers. The TPS6204x operates at a fixed switching frequency of 1.25 MHz and enters the power save mode operation at light load currents to maintain high efficiency over the entire load current range. For low noise applications, the devices can be forced into fixed frequency PWM mode by pulling the MODE pin high. The TPS6204x supports up to 1.2-A load current.

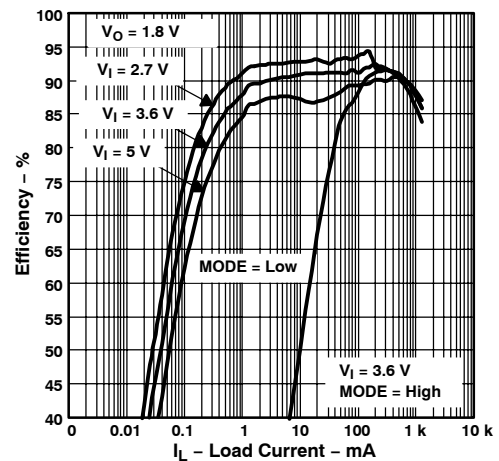
APPLICATIONS

- PDA, Pocket PC and Smart Phones

Typical Application Circuit 1.2-A Output Current



EFFICIENCY
vs
LOAD CURRENT



Please be aware that an important notice concerning availability, standard warranty, and use in critical applications of Texas Instruments semiconductor products and disclaimers thereto appears at the end of this data sheet.

PowerPAD is a trademark of Texas Instruments.



These devices have limited built-in ESD protection. The leads should be shorted together or the device placed in conductive foam during storage or handling to prevent electrostatic damage to the MOS gates.

ORDERING INFORMATION

| T _A | VOLTAGE OPTIONS | PACKAGE | | PACKAGE MARKING | |
|----------------|-----------------|---------------------|--------------------|-----------------|-----|
| | | MSOP ⁽¹⁾ | QFN ⁽²⁾ | MSOP | QFN |
| –40°C to 85°C | Adjustable | TPS62040DGQ | TPS62040DRC | BBI | BBO |
| | 1.5 V | TPS62042DGQ | TPS62042DRC | BBL | BBS |
| | 1.6 V | TPS62043DGQ | TPS62043DRC | BBM | BBT |
| | 1.8 V | TPS62044DGQ | TPS62044DRC | BBN | BBU |
| | 3.3 V | TPS62046DGQ | TPS62046DRC | BBQ | BBW |

(1) The DGQ package is available in tape and reel. Add R suffix (DGQR) to order quantities of 2500 parts per reel.

(2) The DRC package is available in tape and reel. Add R suffix (DRCR) to order quantities of 3000 parts per reel.

ABSOLUTE MAXIMUM RATINGS

over operating free-air temperature range unless otherwise noted⁽¹⁾

| | UNITS |
|---|----------------------------------|
| Supply voltage VIN ⁽²⁾ | –0.3 V to 7 V |
| Voltages on EN, MODE, FB, SW ⁽²⁾ | –0.3 V to V _{CC} +0.3 V |
| Continuous power dissipation | See Dissipation Rating Table |
| Operating junction temperature range | –40°C to 150°C |
| Storage temperature range | –65°C to 150°C |
| Lead temperature (soldering, 10 sec) | 260°C |

(1) Stresses beyond those listed under “absolute maximum ratings” may cause permanent damage to the device. These are stress ratings only, and functional operation of the device at these or any other conditions beyond those indicated under *recommended operating conditions* is not implied. Exposure to absolute-maximum-rated conditions for extended periods may affect device reliability.

(2) All voltage values are with respect to network ground terminal.

PACKAGE DISSIPATION RATINGS

| PACKAGE | R _{θJA} ⁽¹⁾ | T _A ≤ 25°C POWER RATING | T _A = 70°C POWER RATING | T _A = 85°C POWER RATING |
|---------|---------------------------------|---------------------------------------|---------------------------------------|---------------------------------------|
| MSOP | 60°C/W | 1.67 W | 917 mW | 667 mW |
| QFN | 48.7°C/W | 2.05 W | 1.13 W | 821 mW |

(1) The thermal resistance, R_{θJA} is based on a soldered PowerPAD using thermal vias.

RECOMMENDED OPERATING CONDITIONS

| | MIN | TYP | MAX | UNIT |
|---|-----|-----|----------------|------|
| V _I Supply voltage | 2.5 | | 6.0 | V |
| V _O Output voltage range for adjustable output voltage version | 0.7 | | V _I | V |
| I _O Output current | | | 1.2 | A |
| L Inductor ⁽¹⁾ | | 6.2 | | μH |
| C _I Input capacitor ⁽¹⁾ | | 22 | | μF |
| C _O Output capacitor ⁽¹⁾ | | 22 | | μF |
| T _A Operating ambient temperature | –40 | | 85 | °C |
| T _J Operating junction temperature | –40 | | 125 | °C |

(1) Refer to application section for further information

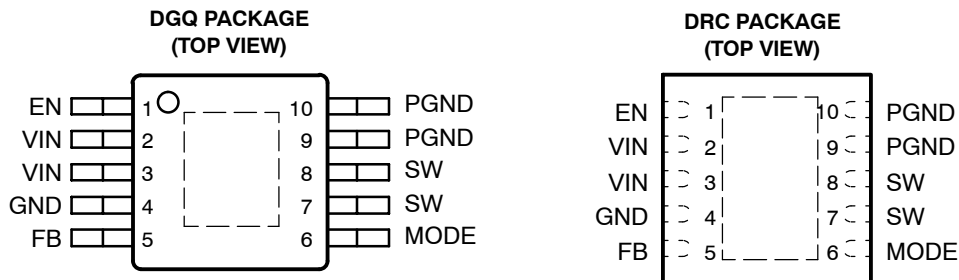
ELECTRICAL CHARACTERISTICS

$V_I = 3.6\text{ V}$, $V_O = 1.8\text{ V}$, $I_O = 600\text{ mA}$, $EN = VIN$, $T_A = -40^\circ\text{C}$ to 85°C , typical values are at $T_A = 25^\circ\text{C}$ (unless otherwise noted)⁽¹⁾

| SUPPLY CURRENT | | | | | | |
|-----------------|-------------------------------------|---|---|-----------|----------|------------------|
| PARAMETER | | TEST CONDITIONS | MIN | TYP | MAX | UNIT |
| V_I | Input voltage range | | 2.5 | | 6.0 | V |
| $I_{(Q)}$ | Operating quiescent current | $I_O = 0\text{ mA}$, device is not switching | | 18 | 35 | μA |
| I_{SD} | Shutdown supply current | $EN = \text{GND}$ | | 0.1 | 1 | μA |
| V_{UVLO} | Under-voltage lockout threshold | | 1.5 | | 2.3 | V |
| ENABLE AND MODE | | | | | | |
| V_{EN} | EN high level input voltage | | 1.4 | | | V |
| V_{EN} | EN low level input voltage | | | | 0.4 | V |
| I_{EN} | EN input bias current | $EN = \text{GND}$ or VIN | | 0.01 | 1.0 | μA |
| $V_{(MODE)}$ | MODE high level input voltage | | 1.4 | | | V |
| $V_{(MODE)}$ | MODE low level input voltage | | | | 0.4 | V |
| $I_{(MODE)}$ | MODE input bias current | MODE = GND or VIN | | 0.01 | 1.0 | μA |
| POWER SWITCH | | | | | | |
| $r_{DS(ON)}$ | P-channel MOSFET on-resistance | $V_I = V_{GS} = 3.6\text{ V}$ | | 115 | 210 | $\text{m}\Omega$ |
| | P-channel MOSFET on-resistance | $V_I = V_{GS} = 2.5\text{ V}$ | | 145 | 270 | $\text{m}\Omega$ |
| $I_{lkg(P)}$ | P-channel leakage current | $V_{DS} = 6.0\text{ V}$ | | | 1 | μA |
| $r_{DS(ON)}$ | N-channel MOSFET on-resistance | $V_I = V_{GS} = 3.6\text{ V}$ | | 85 | 200 | $\text{m}\Omega$ |
| | N-channel MOSFET on-resistance | $V_I = V_{GS} = 2.5\text{ V}$ | | 115 | 280 | $\text{m}\Omega$ |
| $I_{lkg(N)}$ | N-channel leakage current | $V_{DS} = 6.0\text{ V}$ | | | 1 | μA |
| I_L | P-channel current limit | $2.5\text{ V} < V_I < 6.0\text{ V}$ | 1.5 | 1.85 | 2.2 | A |
| | Thermal shutdown | | | 150 | | $^\circ\text{C}$ |
| OSCILLATOR | | | | | | |
| f_S | Oscillator frequency | $V_{FB} = 0.5\text{ V}$ | 1 | 1.25 | 1.5 | MHz |
| | | $V_{FB} = 0\text{ V}$ | | 625 | | kHz |
| OUTPUT | | | | | | |
| V_O | Adjustable output voltage range | TPS62040 | | 0.7 | V_{IN} | V |
| V_{ref} | Reference voltage | | | 0.5 | | V |
| V_{FB} | Feedback voltage | TPS62040 Adjustable | $V_I = 2.5\text{ V}$ to 6.0 V ; $I_O = 0\text{ mA}$ $V_I = 2.5\text{ V}$ to 6.0 V ; $0\text{ mA} \leq I_O \leq 1.2\text{ A}$ | 0% -3% | 3% 3% | |
| V_O | Fixed output voltage | TPS62042 1.5V | $V_I = 2.5\text{ V}$ to 6.0 V ; $I_O = 0\text{ mA}$ $V_I = 2.5\text{ V}$ to 6.0 V ; $0\text{ mA} \leq I_O \leq 1.2\text{ A}$ | 0% -3% | 3% 3% | |
| | | TPS62043 1.6V | $V_I = 2.5\text{ V}$ to 6.0 V ; $I_O = 0\text{ mA}$ $V_I = 2.5\text{ V}$ to 6.0 V ; $0\text{ mA} \leq I_O \leq 1.2\text{ A}$ | 0% -3% | 3% 3% | |
| | | TPS62044 1.8V | $V_I = 2.5\text{ V}$ to 6.0 V ; $I_O = 0\text{ mA}$ $V_I = 2.5\text{ V}$ to 6.0 V ; $0\text{ mA} \leq I_O \leq 1.2\text{ A}$ | 0% -3% | 3% 3% | |
| | | TPS62046 3.3V | $V_I = 3.6\text{ V}$ to 6.0 V ; $I_O = 0\text{ mA}$ $V_I = 3.6\text{ V}$ to 6.0 V ; $0\text{ mA} \leq I_O \leq 1.2\text{ A}$ | 0% -3% | 3% 3% | |
| | Line regulation ⁽¹⁾ | | $V_I = V_O + 0.5\text{ V}$ (min. 2.5 V) to 6.0 V , $I_O = 10\text{ mA}$ | | 0 | %/V |
| | Load regulation ⁽¹⁾ | | $I_O = 10\text{ mA}$ to 1200 mA | | 0 | %/mA |
| $I_{lkg(SW)}$ | Leakage current into SW pin | | $V_I > V_O$, $0\text{ V} \leq V_{SW} \leq V_I$ | 0.1 | 1 | μA |
| | Reverse leakage current into pin SW | | $V_I = \text{open}$; $EN = \text{GND}$; $V_{SW} = 6.0\text{ V}$ | 0.1 | 1 | μA |
| f | Short circuit switching frequency | | $V_{FB} = 0\text{ V}$ | 625 | | kHz |

⁽¹⁾ The line and load regulations are digitally controlled to assure an output voltage accuracy of $\pm 3\%$.

PIN ASSIGNMENTS

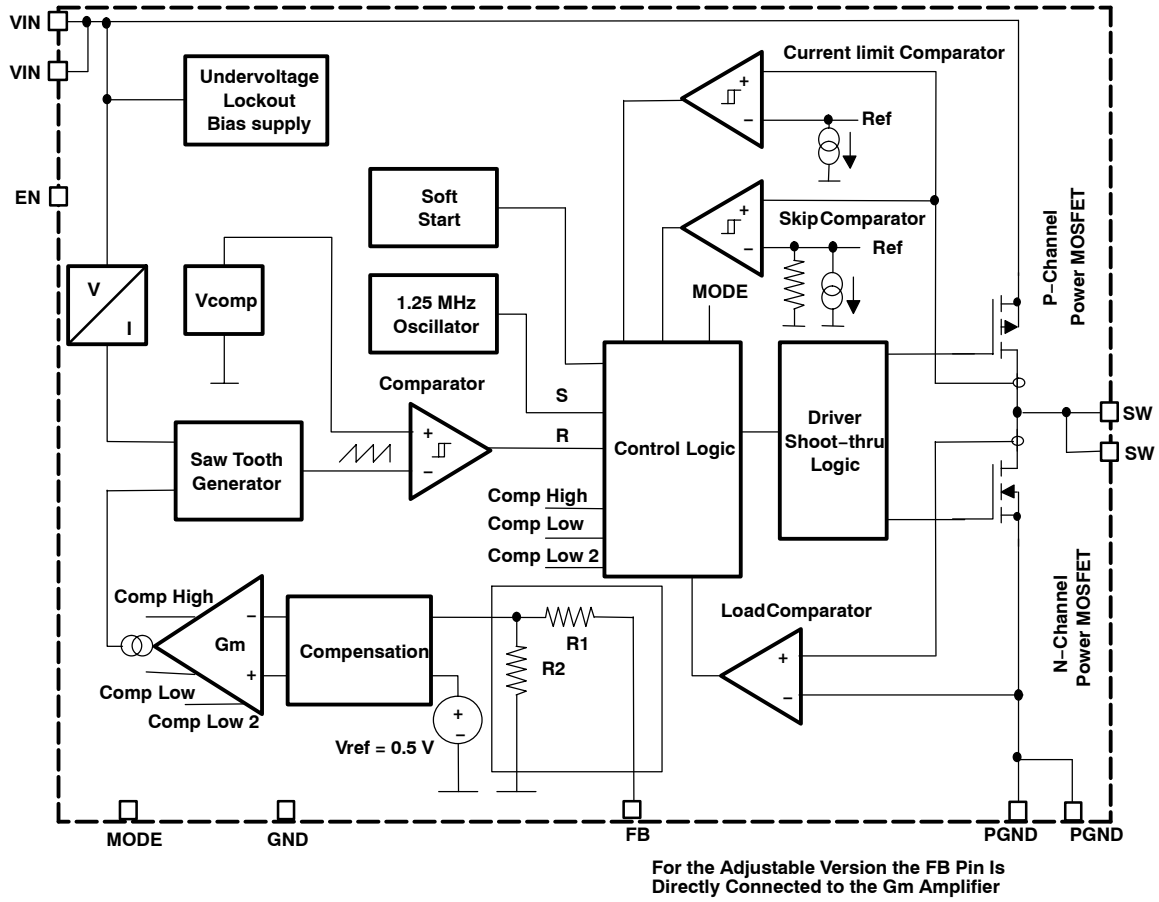


NOTE: The PowerPAD must be connected to GND.

Terminal Functions

| TERMINAL NAME | NO. | I/O | DESCRIPTION |
|---------------|------|-----|---|
| EN | 1 | I | Enable. Pulling EN to ground forces the device into shutdown mode. Pulling EN to V_I enables the device. EN should not be left floating and must be terminated. |
| VIN | 2,3 | I | Supply voltage input |
| GND | 4 | | Analog ground |
| FB | 5 | I | Feedback pin. Connect FB directly to the output if the fixed output voltage version is used. For the adjustable version an external resistor divider is connected to this pin. The internal voltage divider is disabled for the adjustable version. |
| MODE | 6 | I | Pulling the MODE pin high allows the device to be forced into fixed frequency operation. Pulling the MODE pin to low enables the power save mode where the device operates in fixed frequency PWM mode at high load currents and in PFM mode (pulse frequency modulation) at light load currents. |
| SW | 7,8 | I/O | This is the switch pin of the converter and is connected to the drain of the internal power MOSFETs |
| PGND | 9,10 | | Power ground |

FUNCTIONAL BLOCK DIAGRAM



TYPICAL CHARACTERISTICS

TABLE OF GRAPHS

| | | | FIGURE |
|--------------|----------------------------------|------------------|---------|
| η | Efficiency | vs Load current | 1, 2, 3 |
| η | Efficiency | vs Input voltage | 4 |
| I_Q | Quiescent current | vs Input voltage | 5, 6 |
| f_s | Switching frequency | vs Input voltage | 7 |
| $r_{DS(on)}$ | P-Channel $r_{DS(on)}$ | vs Input voltage | 8 |
| $r_{DS(on)}$ | N-Channel rectifier $r_{DS(on)}$ | vs Input voltage | 9 |
| | Load transient response | | 10 |
| | PWM operation | | 11 |
| | Power save mode | | 12 |
| | Start-up | | 13 |

EFFICIENCY
 vs
 LOAD CURRENT

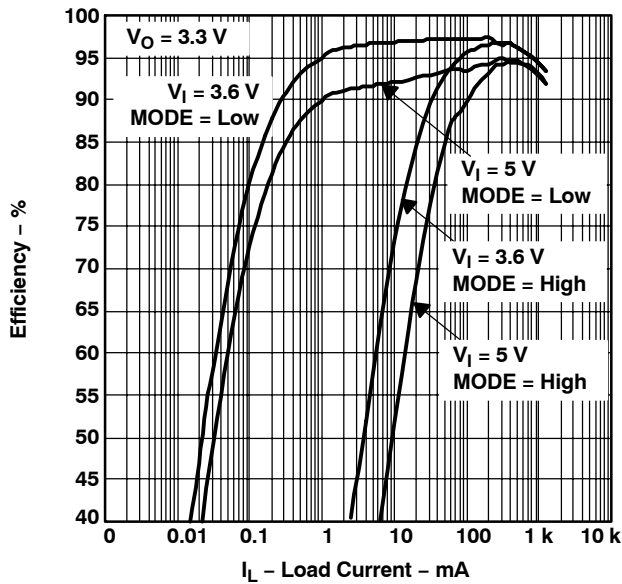


Figure 1

EFFICIENCY
 vs
 LOAD CURRENT

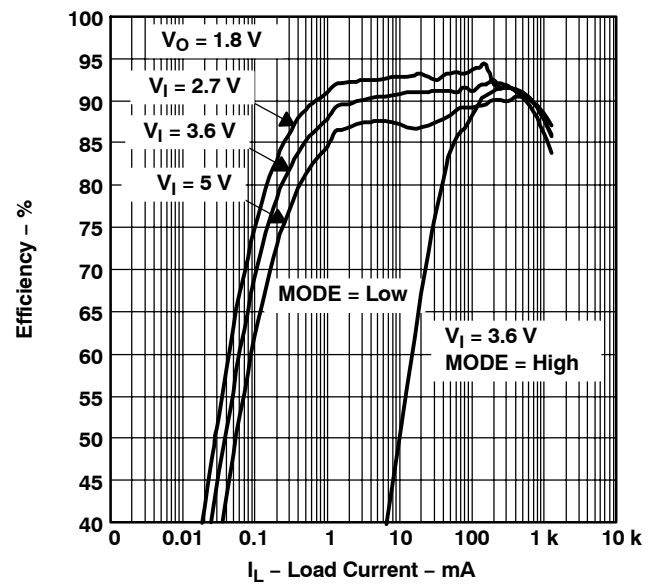


Figure 2

EFFICIENCY
vs
LOAD CURRENT

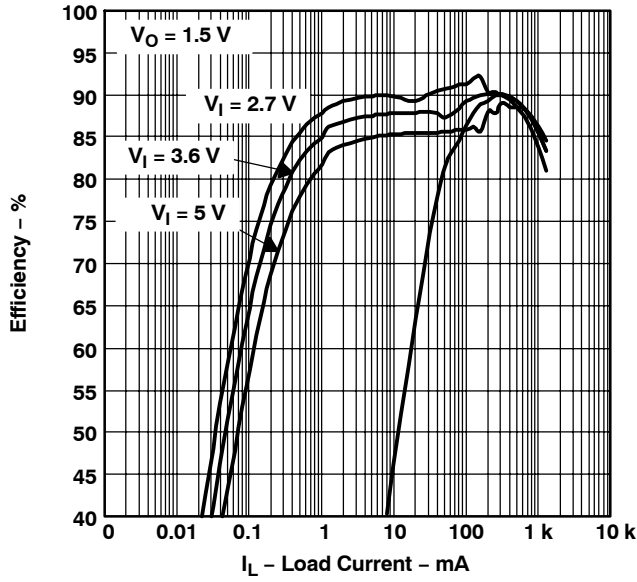


Figure 3

EFFICIENCY
vs
INPUT VOLTAGE

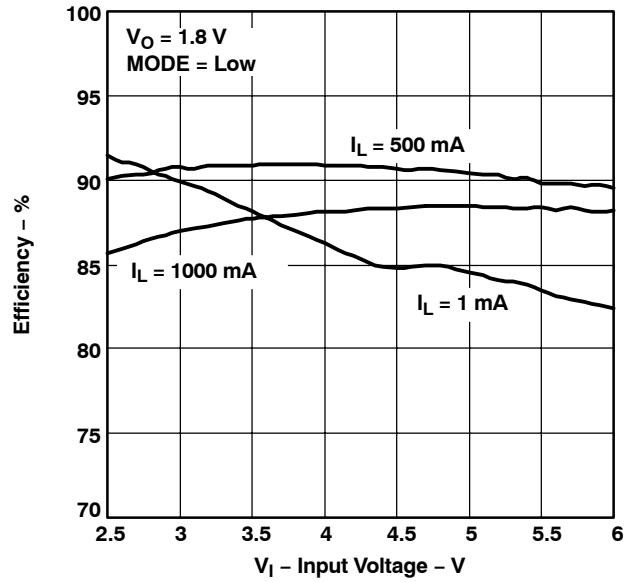


Figure 4

QUIESCENT CURRENT
vs
INPUT VOLTAGE

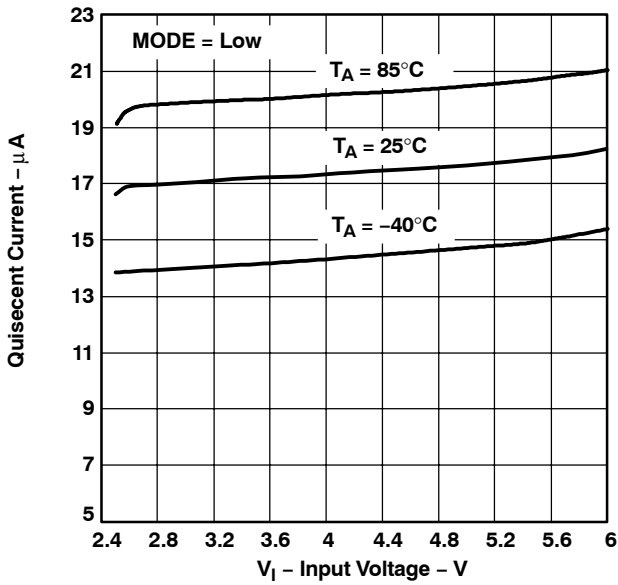


Figure 5

QUIESCENT CURRENT
vs
INPUT VOLTAGE

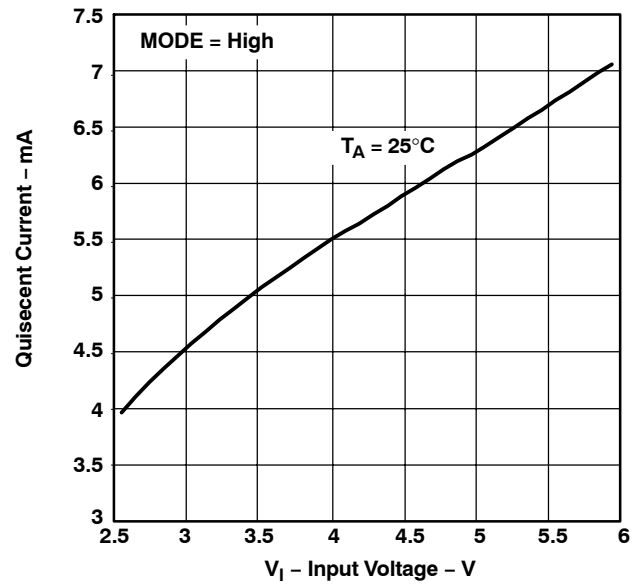


Figure 6

SWITCHING FREQUENCY
 vs
 INPUT VOLTAGE

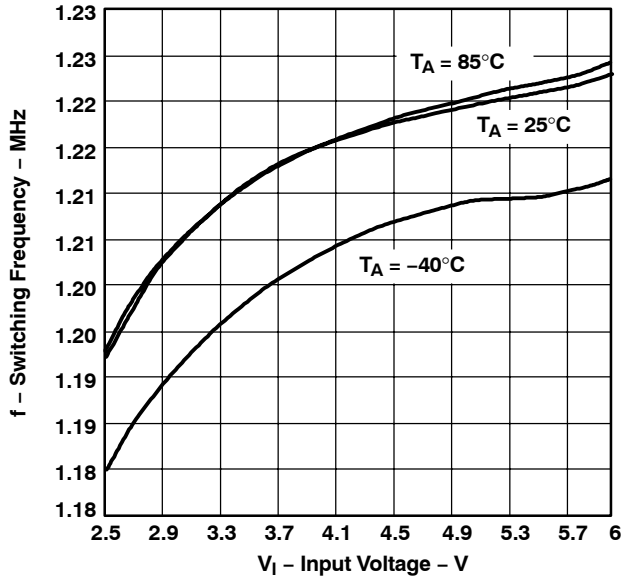


Figure 7

P-CHANNEL r_{DS(on)}
 vs
 INPUT VOLTAGE

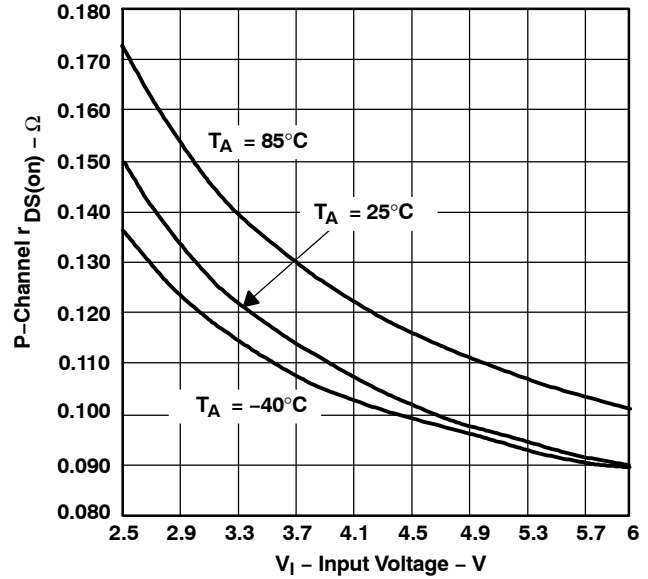


Figure 8

N-CHANNEL RECTIFIER r_{DS(on)}
 vs
 INPUT VOLTAGE

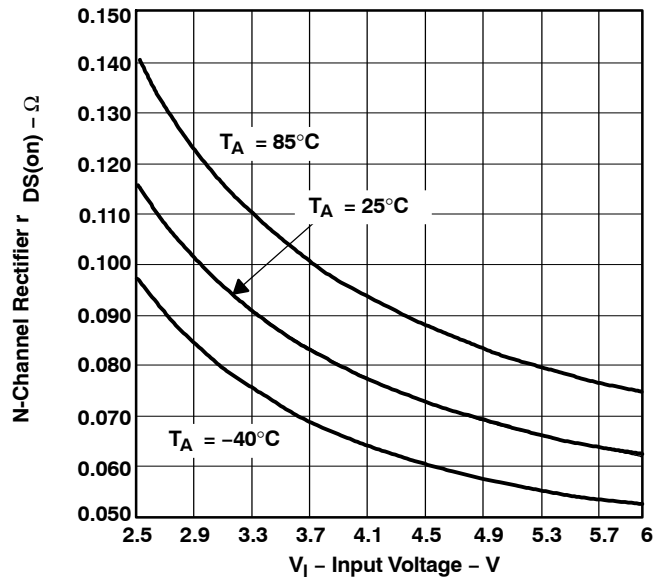


Figure 9

LOAD TRANSIENT RESPONSE

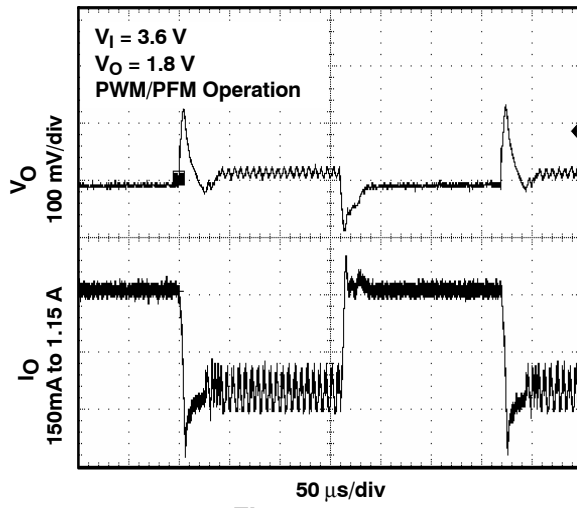


Figure 10

PWM OPERATION

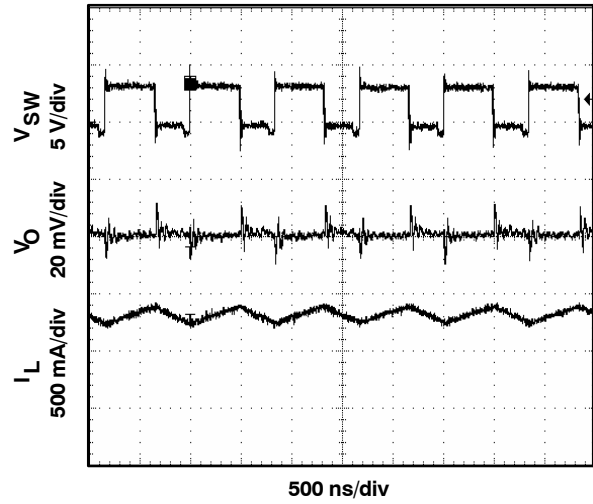


Figure 11

POWER SAVE MODE

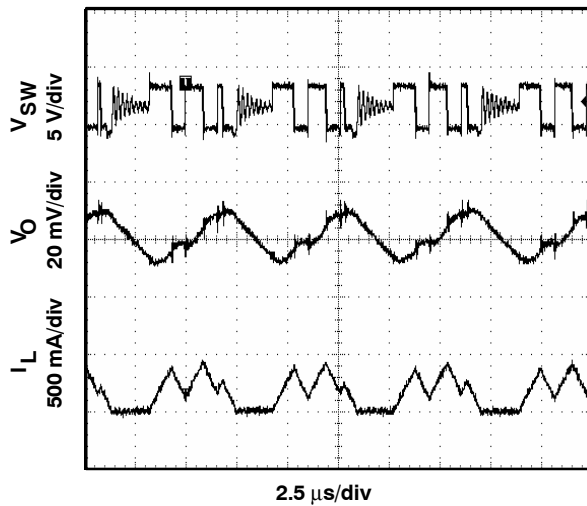


Figure 12

START-UP

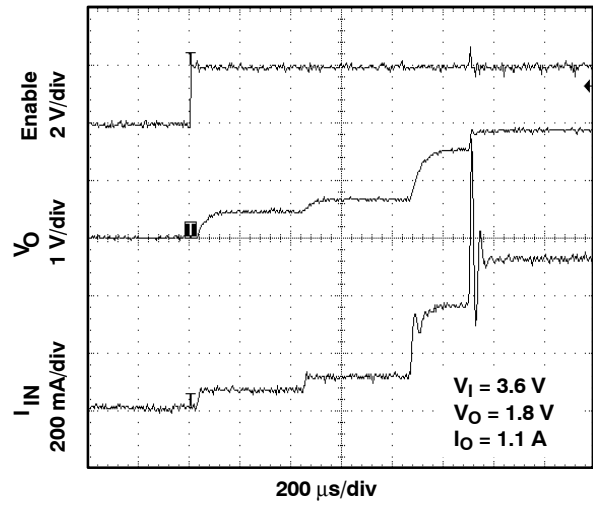


Figure 13

DETAILED DESCRIPTION

OPERATION

The TPS6204x is a synchronous step-down converter operating with typically 1.25 MHz fixed frequency. At moderate to heavy load currents, the device operates in pulse width modulation (PWM), and at light load currents, the device enters power save mode operation using pulse frequency modulation (PFM). When operating in PWM mode, the typical switching frequency is 1.25 MHz with a minimum switching frequency of 1 MHz. This makes the device suitable for xDSL applications minimizing RF (radio frequency) interference.

During PWM operation the converter uses a unique fast response voltage mode controller scheme with input voltage feed-forward to achieve good line and load regulation, allowing the use of small ceramic input and output capacitors. At the beginning of each clock cycle initiated by the clock signal (S) the P-channel MOSFET switch turns on and the inductor current ramps up until the comparator trips and the control logic turns off the switch. The current limit comparator also turns off the switch in case the current limit of the P-channel switch is exceeded. After the dead time preventing current shoot through, the N-channel MOSFET rectifier is turned on and the inductor current ramps down. The next cycle is initiated by the clock signal, again turning off the N-channel rectifier and turning on the P-channel switch.

The Gm amplifier as well as the input voltage determines the rise time of the saw tooth generator, and therefore, any change in input voltage or output voltage directly controls the duty cycle of the converter, giving a very good line and load transient regulation.

POWER SAVE MODE OPERATION

As the load current decreases, the converter enters power save mode operation. During power save mode the converter operates with reduced switching frequency in PFM mode and with a minimum quiescent current maintaining high efficiency.

The converter monitors the average inductor current and the device enters power save mode when the average inductor current is below the threshold. The transition point between PWM and power save mode is given by the transition current with the following equation:

$$I_{\text{transition}} = \frac{V_I}{18.66 \Omega} \quad (1)$$

During power save mode the output voltage is monitored with the comparator by the threshold's comp low and comp high. As the output voltage falls below the comp low threshold set to typically 0.8% above the nominal output voltage, the P-channel switch turns on. The P-channel switch remains on until the transition current (1) is reached. Then the N-channel switch turns on completing the first cycle. The converter continues to switch with its normal duty cycle determined by the input and output voltage but with half the nominal switching frequency of 625-kHz typ. Thus the output voltage rises and as soon as the output voltage reaches the comp high threshold of 1.6%, the converter stops switching. Depending on the load current, the converter switches for a longer or shorter period of time in order to deliver the energy to the output. If the load current increases and the output voltage can not be maintained with the transition current, equation (1), the converter enters PWM again. See Figure 11 and Figure 12 under the typical graphs section and Figure 14 for power save mode operation. Among other techniques this advanced power save mode method allows high efficiency over the entire load current range and a small output ripple of typically 1% of the nominal output voltage.

Setting the power save mode thresholds to typically 0.8% and 1.6% above the nominal output voltage at light load current results in a dynamic voltage positioning achieving lower absolute voltage drops during heavy load transient changes. This allows the converter to operate with small output capacitors like 22 μ F and still having a low absolute voltage drop during heavy load transient. Refer to Figure 14 as well for detailed operation of the power save mode.

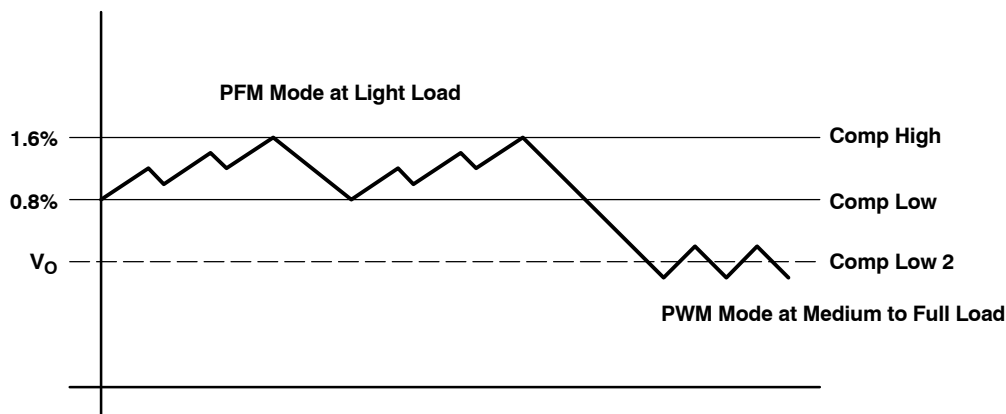


Figure 14. Power Save Mode Thresholds and Dynamic Voltage Positioning

The converter enters the fixed frequency PWM mode as soon as the output voltage falls below the comp low 2 threshold.

DYNAMIC VOLTAGE POSITIONING

As described in the power save mode operation sections before and as detailed in Figure 14 the output voltage is typically 0.8% (i.e., 1% on average) above the nominal output voltage at light load currents, as the device is in power save mode. This gives additional headroom for the voltage drop during a load transient from light load to full load. In the other direction during a load transient from full load to light load the voltage overshoot is also minimized by turning on the N-Channel rectifier switch to pull the output voltage actively down.

MODE (AUTOMATIC PWM/PFM OPERATION AND FORCED PWM OPERATION)

Connecting the MODE pin to GND enables the automatic PWM and power save mode operation. The converter operates in fixed frequency PWM mode at moderate to heavy loads and in the PFM mode during light loads, maintaining high efficiency over a wide load current range.

Pulling the MODE pin high forces the converter to operate constantly in the PWM mode even at light load currents. The advantage is the converter operates with a fixed switching frequency that allows simple filtering of the switching frequency for noise sensitive applications. In this mode, the efficiency is lower compared to the power save mode during light loads (see Figure 1 to Figure 3). For additional flexibility it is possible to switch from power save mode to forced PWM mode during operation. This allows efficient power management by adjusting the operation of the TPS6204x to the specific system requirements.

100% DUTY CYCLE LOW DROPOUT OPERATION

The TPS6204x offers a low input to output voltage difference while still maintaining regulation with the use of the 100% duty cycle mode. In this mode, the P-Channel switch is constantly turned on. This is particularly useful in battery powered applications to achieve longest operation time by taking full advantage of the whole battery voltage range. i.e. The minimum input voltage to maintain regulation depends on the load current and output voltage and can be calculated as:

$$V_{I \min} = V_{O \max} + I_{O \max} \times (r_{DS(on) \max} + R_L) \quad (2)$$

with:

$I_{O(max)}$ = maximum output current plus inductor ripple current

$r_{DS(on)max}$ = maximum P-channel switch $t_{DS(on)}$.

R_L = DC resistance of the inductor

V_{Omax} = nominal output voltage plus maximum output voltage tolerance

SOFTSTART

The TPS6204x series has an internal softstart circuit that limits the inrush current during start up. This prevents possible voltage drops of the input voltage in case a battery or a high impedance power source is connected to the input of the TPS6204x.

The softstart is implemented with a digital circuit increasing the switch current in steps of typically $I_{LIM}/8$, $I_{LIM}/4$, $I_{LIM}/2$ and then the typical switch current limit 1.85 A as specified in the electrical parameter table. The start-up time mainly depends on the output capacitor and load current, see Figure 13.

SHORT-CIRCUIT PROTECTION

As soon as the output voltage falls below 50% of the nominal output voltage, the converter switching frequency as well as the current limit is reduced to 50% of the nominal value. Since the short-circuit protection is enabled during start-up, the device does not deliver more than half of its nominal current limit until the output voltage exceeds 50% of the nominal output voltage. This needs to be considered in case a load acting as a current sink is connected to the output of the converter.

THERMAL SHUTDOWN

As soon as the junction temperature of typically 150°C is exceeded the device goes into thermal shutdown. In this mode, the P-Channel switch and N-Channel rectifier are turned off. The device continues its operation when the junction temperature falls below typically 150°C again.

ENABLE

Pulling the EN low forces the part into shutdown mode, with a shutdown current of typically 0.1 μ A. In this mode, the P-Channel switch and N-Channel rectifier are turned off and the whole device is in shut down. If an output voltage is present during shut down, which could be an external voltage source or super cap, the reverse leakage current is specified under electrical parameter table. For proper operation the enable (EN) pin must be terminated and should not be left floating.

Pulling EN high starts up the TPS6204x with the softstart as described under the section Softstart.

UNDERVOLTAGE LOCKOUT

The undervoltage lockout circuit prevents device misoperation at low input voltages. It prevents the converter from turning on the switch or rectifier MOSFET with undefined conditions.

APPLICATION INFORMATION

ADJUSTABLE OUTPUT VOLTAGE VERSION

When the adjustable output voltage version TPS62040 is used, the output voltage is set by the external resistor divider. See Figure 15.

The output voltage is calculated as:

$$V_O = 0.5 \text{ V} \times \left(1 + \frac{R1}{R2} \right) \quad (3)$$

with $R1 + R2 \leq 1 \text{ M}\Omega$ and internal reference voltage V_{ref} typical = 0.5 V

$R1 + R2$ should not be greater than 1 M Ω because of stability reasons. To keep the operating quiescent current to a minimum, the feedback resistor divider should have high impedance with $R1+R2 \leq 1 \text{ M}\Omega$. Due to this and the low reference voltage of $V_{ref} = 0.5 \text{ V}$, the noise on the feedback pin (FB) needs to be minimized. Using a capacitive divider C1 and C2 across the feedback resistors minimizes the noise at the feedback, without degrading the line or load transient performance.

C1 and C2 should be selected as:

$$C1 = \frac{1}{2 \times \pi \times 10 \text{ kHz} \times R1} \quad (4)$$

with:

R1 = upper resistor of voltage divider

C1 = upper capacitor of voltage divider

For C1 a value should be chosen that comes closest to the calculated result.

$$C2 = \frac{R1}{R2} \times C1 \quad (5)$$

with:

R2 = lower resistor of voltage divider

C2 = lower capacitor of voltage divider

For C2, the selected capacitor value should always be selected larger than the calculated result. For example, in Figure 15 for C2 100 pF are selected for a calculated result of $C2 = 88.42 \text{ pF}$.

If quiescent current is not a key design parameter C1 and C2 can be omitted, and a low impedance feedback divider has to be used with $R1 + R2 < 100 \text{ k}\Omega$. This reduces the noise available on the feedback pin (FB) as well but increases the overall quiescent current during operation. The higher the programmed output voltage the lower the feedback impedance has to be for best operation when not using C1 and C2.

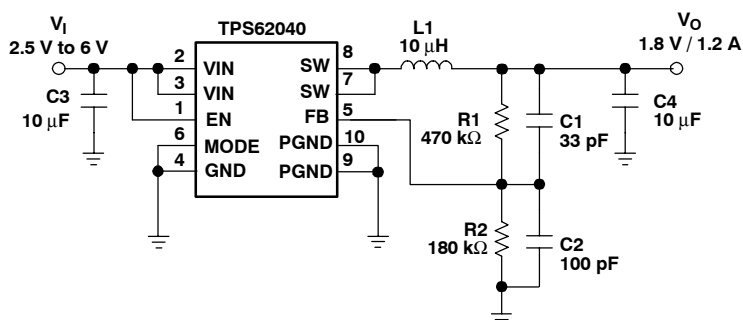


Figure 15. Adjustable Output Voltage Version

Inductor Selection

The TPS6204x typically uses a 6.2- μ H output inductor. Larger or smaller inductor values can be used to optimize the performance of the device for specific operation conditions. The selected inductor has to be rated for its dc resistance and saturation current. The dc resistance of the inductance directly influences the efficiency of the converter. Therefore an inductor with the lowest dc resistance should be selected for highest efficiency.

Formula (7) calculates the maximum inductor current under static load conditions. The saturation current of the inductor should be rated higher than the maximum inductor current as calculated with formula (7). This is needed because during heavy load transient the inductor current rises above the value calculated under (7).

$$\Delta I_L = V_O \times \frac{1 - \frac{V_O}{V_I}}{L \times f} \quad (6)$$

$$I_{L \text{ max}} = I_{O \text{ max}} + \frac{\Delta I_L}{2} \quad (7)$$

with

f = Switching frequency (1.25 MHz typical)

L = Inductor value

ΔI_L = Peak-to-peak inductor ripple current

$I_{L \text{ max}}$ = Maximum inductor current

The highest inductor current occurs at maximum V_I .

Open core inductors have a soft saturation characteristic and they can usually handle higher inductor currents versus a comparable shielded inductor. A more conservative approach is to select the inductor current rating just for the maximum switch current of 2.2 A for the TPS6204x. Keep in mind that the core material from inductor to inductor differs and has an impact on the efficiency, especially at high switching frequencies. Refer to Table 1 and the typical applications and inductors selection.

Table 1. Inductor Selection

| INDUCTOR VALUE | DIMENSIONS | COMPONENT SUPPLIER |
|----------------|--|----------------------|
| 4.7 μ H | 5,0 mm \times 5,0 mm \times 3,0 mm | Sumida CDRH4D28C-4.7 |
| 4.7 μ H | 5,2 mm \times 5,2 mm \times 2,5 mm | Coiltronics SD25-4R7 |
| 5.3 μ H | 5,7 mm \times 5,7 mm \times 3,0 mm | Sumida CDRH5D28-5R3 |
| 6.2 μ H | 5,7 mm \times 5,7 mm \times 3,0 mm | Sumida CDRH5D28-6R2 |
| 6.0 μ H | 7,0 mm \times 7,0 mm \times 3,0 mm | Sumida CDRH6D28-6R0 |

Output Capacitor Selection

The advanced fast response voltage mode control scheme of the TPS6204x allows the use of small ceramic capacitors with a typical value of 22 μF without having large output voltage under and overshoots during heavy load transients. Ceramic capacitors having low ESR values have the lowest output voltage ripple and are recommended. If required, tantalum capacitors may also be used. Refer to Table 2 for component selection.

If ceramic output capacitor are used, the capacitor RMS ripple current rating always meets the application requirements. Just for completeness the RMS ripple current is calculated as:

$$I_{\text{RMS}C_{\text{out}}} = V_{\text{O}} \times \frac{1 - \frac{V_{\text{O}}}{V_{\text{I}}}}{L \times f} \times \frac{1}{2 \times \sqrt{3}} \quad (8)$$

At nominal load current the device operates in PWM mode and the overall output voltage ripple is the sum of the voltage spike caused by the output capacitor ESR plus the voltage ripple caused by charging and discharging the output capacitor:

$$\Delta V_{\text{O}} = V_{\text{O}} \times \frac{1 - \frac{V_{\text{O}}}{V_{\text{I}}}}{L \times f} \times \left(\frac{1}{8 \times C_{\text{O}} \times f} + \text{ESR} \right) \quad (9)$$

Where the highest output voltage ripple occurs at the highest input voltage, V_{I} .

At light load currents, the device operates in power save mode and the output voltage ripple is independent of the output capacitor value. The output voltage ripple is set by the internal comparator thresholds. The typical output voltage ripple is 1% of the nominal output voltage.

Input Capacitor Selection

Because of the nature of the buck converter having a pulsating input current, a low ESR input capacitor is required for best input voltage filtering and minimizing the interference with other circuits caused by high input voltage spikes. The input capacitor should have a minimum value of 22 μF . The input capacitor can be increased without any limit for better input voltage filtering.

Table 2. Input and Output Capacitor Selection

| CAPACITOR VALUE | CASE SIZE | COMPONENT SUPPLIER | COMMENTS |
|------------------|-----------|---------------------------|----------|
| 22 μF | 1206 | Taiyo Yuden JMK316BJ226ML | Ceramic |
| 22 μF | 1210 | Taiyo Yuden JMK325BJ226MM | Ceramic |

Layout Considerations

For all switching power supplies, the layout is an important step in the design especially at high peak currents and switching frequencies. If the layout is not carefully done, the regulator might show stability problems as well as EMI problems. Therefore, use wide and short traces for the main current paths as indicated in bold in Figure 16. These traces should be routed first. The input capacitor should be placed as close as possible to the IC pins as well as the inductor and output capacitor. The feedback resistor network should be routed away from the inductor and switch node to minimize noise and magnetic interference. To further minimize noise from coupling into the feedback network and feedback pin, the ground plane or ground traces should be used for shielding. A common ground plane or a star ground as shown below should be used. This becomes very important especially at high switching frequencies of 1.25 MHz.

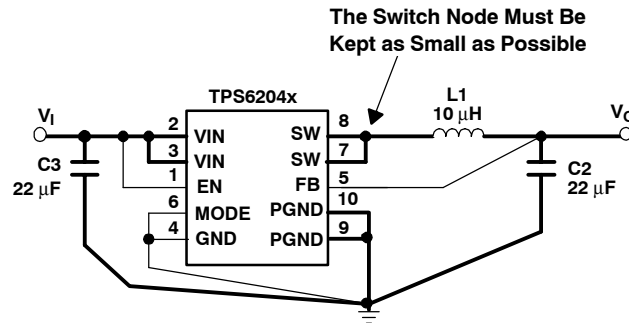


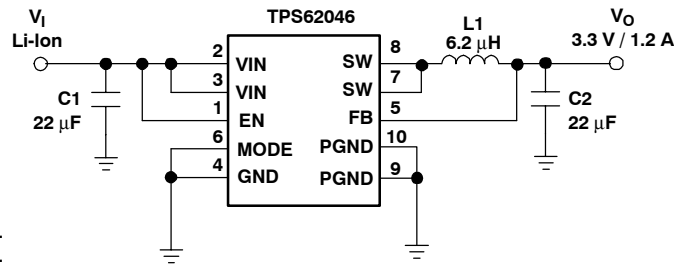
Figure 16. Layout Diagram

THERMAL INFORMATION

One of the most influential components on the thermal performance of a package is board design. In order to take full advantage of the heat dissipating abilities of the PowerPAD™ packages, a board should be used that acts similar to a heat sink and allows for the use of the exposed (and solderable), deep downset pad. For further information please refer to Texas Instruments application note (SLMA002) *PowerPAD Thermally Enhanced Package*.

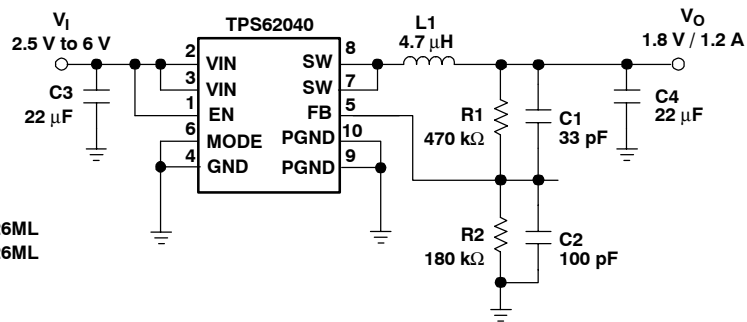
The PowerPAD™ of the 10-pin MSOP package has an area of 1,52 mm × 1,79 mm (± 0,05 mm) and must be soldered to the PCB to lower the thermal resistance. Thermal vias to the next layer further reduce the thermal resistance.

TYPICAL APPLICATIONS



Components:
 C1: Taiyo Yuden JMK316BJ226ML
 C2: Taiyo Yuden JMK316BJ226ML
 L1: Sumida CDRH5D28-6R2

Figure 17. Li-Ion to 3.3 V/1.2 A Conversion



Components:
 C1: Taiyo Yuden JMK316BJ226ML
 C2: Taiyo Yuden JMK316BJ226ML
 L1: Sumida CDRH4D28C-4R7

Figure 18. Li-Ion to 1.8 V/1.2 A Conversion Using the Adjustable Output Voltage Version

PACKAGING INFORMATION

| Orderable part number | Status (1) | Material type (2) | Package Pins | Package qty Carrier | RoHS (3) | Lead finish/ Ball material (4) | MSL rating/ Peak reflow (5) | Op temp (°C) | Part marking (6) |
|------------------------------|---------------|----------------------|-------------------|-----------------------|-------------|--------------------------------------|-----------------------------------|--------------|---------------------|
| TPS62040DGQ | Active | Production | HVSSOP (DGQ) 10 | 80 TUBE | Yes | NIPDAUAG | Level-1-260C-UNLIM | -40 to 85 | BBI |
| TPS62040DGQ.B | Active | Production | HVSSOP (DGQ) 10 | 80 TUBE | Yes | NIPDAUAG | Level-1-260C-UNLIM | -40 to 85 | BBI |
| TPS62040DGQG4 | Active | Production | HVSSOP (DGQ) 10 | 80 TUBE | Yes | NIPDAUAG | Level-1-260C-UNLIM | -40 to 85 | BBI |
| TPS62040DGQR | Active | Production | HVSSOP (DGQ) 10 | 2500 LARGE T&R | Yes | NIPDAUAG | Level-1-260C-UNLIM | -40 to 85 | BBI |
| TPS62040DGQR.B | Active | Production | HVSSOP (DGQ) 10 | 2500 LARGE T&R | Yes | NIPDAUAG | Level-1-260C-UNLIM | -40 to 85 | BBI |
| TPS62040DGQRG4 | Active | Production | HVSSOP (DGQ) 10 | 2500 LARGE T&R | Yes | NIPDAUAG | Level-1-260C-UNLIM | -40 to 85 | BBI |
| TPS62040DRCR | Active | Production | VSON (DRC) 10 | 3000 LARGE T&R | Yes | NIPDAU NIPDAUAG | Level-2-260C-1 YEAR | -40 to 85 | BBO |
| TPS62040DRCR.B | Active | Production | VSON (DRC) 10 | 3000 LARGE T&R | Yes | NIPDAU | Level-2-260C-1 YEAR | -40 to 85 | BBO |
| TPS62040DRCRG4 | Active | Production | VSON (DRC) 10 | 3000 LARGE T&R | Yes | NIPDAU | Level-2-260C-1 YEAR | -40 to 85 | BBO |
| TPS62042DGQ | Active | Production | HVSSOP (DGQ) 10 | 80 TUBE | Yes | NIPDAUAG | Level-1-260C-UNLIM | -40 to 85 | BBL |
| TPS62042DGQ.B | Active | Production | HVSSOP (DGQ) 10 | 80 TUBE | Yes | NIPDAUAG | Level-1-260C-UNLIM | -40 to 85 | BBL |
| TPS62042DGQR | Active | Production | HVSSOP (DGQ) 10 | 2500 LARGE T&R | Yes | NIPDAUAG | Level-1-260C-UNLIM | -40 to 85 | BBL |
| TPS62042DGQR.B | Active | Production | HVSSOP (DGQ) 10 | 2500 LARGE T&R | Yes | NIPDAUAG | Level-1-260C-UNLIM | -40 to 85 | BBL |
| TPS62042DGQRG4 | Active | Production | HVSSOP (DGQ) 10 | 2500 LARGE T&R | Yes | NIPDAUAG | Level-1-260C-UNLIM | -40 to 85 | BBL |
| TPS62042DRCR | Active | Production | VSON (DRC) 10 | 3000 LARGE T&R | Yes | NIPDAU NIPDAUAG SN | Level-2-260C-1 YEAR | -40 to 85 | BBS |
| TPS62042DRCR.B | Active | Production | VSON (DRC) 10 | 3000 LARGE T&R | Yes | NIPDAU | Level-2-260C-1 YEAR | -40 to 85 | BBS |
| TPS62043DGQ | Active | Production | HVSSOP (DGQ) 10 | 80 TUBE | Yes | NIPDAUAG | Level-1-260C-UNLIM | -40 to 85 | BBM |
| TPS62043DGQ.B | Active | Production | HVSSOP (DGQ) 10 | 80 TUBE | Yes | NIPDAUAG | Level-1-260C-UNLIM | -40 to 85 | BBM |
| TPS62043DGQR | Active | Production | HVSSOP (DGQ) 10 | 2500 LARGE T&R | Yes | NIPDAUAG | Level-1-260C-UNLIM | -40 to 85 | BBM |
| TPS62043DGQR.B | Active | Production | HVSSOP (DGQ) 10 | 2500 LARGE T&R | Yes | NIPDAUAG | Level-1-260C-UNLIM | -40 to 85 | BBM |
| TPS62043DRCR | Active | Production | VSON (DRC) 10 | 3000 LARGE T&R | Yes | Call TI Nipdau Nipdauag | Level-2-260C-1 YEAR | -40 to 85 | BBT |
| TPS62043DRCR.B | Active | Production | VSON (DRC) 10 | 3000 LARGE T&R | Yes | NIPDAU | Level-2-260C-1 YEAR | -40 to 85 | BBT |
| TPS62044DGQ | Active | Production | HVSSOP (DGQ) 10 | 80 TUBE | Yes | NIPDAUAG | Level-1-260C-UNLIM | -40 to 85 | BBN |
| TPS62044DGQ.B | Active | Production | HVSSOP (DGQ) 10 | 80 TUBE | Yes | NIPDAUAG | Level-1-260C-UNLIM | -40 to 85 | BBN |
| TPS62044DGQR | Active | Production | HVSSOP (DGQ) 10 | 2500 LARGE T&R | Yes | NIPDAUAG | Level-1-260C-UNLIM | -40 to 85 | BBN |
| TPS62044DGQR.B | Active | Production | HVSSOP (DGQ) 10 | 2500 LARGE T&R | Yes | NIPDAUAG | Level-1-260C-UNLIM | -40 to 85 | BBN |
| TPS62044DRCR | Active | Production | VSON (DRC) 10 | 3000 LARGE T&R | Yes | NIPDAU NIPDAUAG SN | Level-2-260C-1 YEAR | -40 to 85 | BBU |

| Orderable part number | Status (1) | Material type (2) | Package Pins | Package qty Carrier | RoHS (3) | Lead finish/ Ball material (4) | MSL rating/ Peak reflow (5) | Op temp (°C) | Part marking (6) |
|------------------------------|---------------|----------------------|-------------------|-----------------------|-------------|--------------------------------------|-----------------------------------|--------------|---------------------|
| TPS62044DRCR.B | Active | Production | VSON (DRC) 10 | 3000 LARGE T&R | Yes | NIPDAU | Level-2-260C-1 YEAR | -40 to 85 | BBU |
| TPS62046DGQ | Active | Production | HVSSOP (DGQ) 10 | 80 TUBE | Yes | NIPDAUAG | Level-1-260C-UNLIM | -40 to 85 | BBQ |
| TPS62046DGQ.B | Active | Production | HVSSOP (DGQ) 10 | 80 TUBE | Yes | NIPDAUAG | Level-1-260C-UNLIM | -40 to 85 | BBQ |
| TPS62046DGQR | Active | Production | HVSSOP (DGQ) 10 | 2500 LARGE T&R | Yes | NIPDAUAG | Level-1-260C-UNLIM | -40 to 85 | BBQ |
| TPS62046DGQR.B | Active | Production | HVSSOP (DGQ) 10 | 2500 LARGE T&R | Yes | NIPDAUAG | Level-1-260C-UNLIM | -40 to 85 | BBQ |
| TPS62046DRCR | Active | Production | VSON (DRC) 10 | 3000 LARGE T&R | Yes | NIPDAU NIPDAUAG SN | Level-2-260C-1 YEAR | -40 to 85 | BBW |
| TPS62046DRCR.B | Active | Production | VSON (DRC) 10 | 3000 LARGE T&R | Yes | NIPDAU | Level-2-260C-1 YEAR | -40 to 85 | BBW |

(1) **Status:** For more details on status, see our [product life cycle](#).

(2) **Material type:** When designated, preproduction parts are prototypes/experimental devices, and are not yet approved or released for full production. Testing and final process, including without limitation quality assurance, reliability performance testing, and/or process qualification, may not yet be complete, and this item is subject to further changes or possible discontinuation. If available for ordering, purchases will be subject to an additional waiver at checkout, and are intended for early internal evaluation purposes only. These items are sold without warranties of any kind.

(3) **RoHS values:** Yes, No, RoHS Exempt. See the [TI RoHS Statement](#) for additional information and value definition.

(4) **Lead finish/Ball material:** Parts may have multiple material finish options. Finish options are separated by a vertical ruled line. Lead finish/Ball material values may wrap to two lines if the finish value exceeds the maximum column width.

(5) **MSL rating/Peak reflow:** The moisture sensitivity level ratings and peak solder (reflow) temperatures. In the event that a part has multiple moisture sensitivity ratings, only the lowest level per JEDEC standards is shown. Refer to the shipping label for the actual reflow temperature that will be used to mount the part to the printed circuit board.

(6) **Part marking:** There may be an additional marking, which relates to the logo, the lot trace code information, or the environmental category of the part.

Multiple part markings will be inside parentheses. Only one part marking contained in parentheses and separated by a "-" will appear on a part. If a line is indented then it is a continuation of the previous line and the two combined represent the entire part marking for that device.

Important Information and Disclaimer: The information provided on this page represents TI's knowledge and belief as of the date that it is provided. TI bases its knowledge and belief on information provided by third parties, and makes no representation or warranty as to the accuracy of such information. Efforts are underway to better integrate information from third parties. TI has taken and continues to take reasonable steps to provide representative and accurate information but may not have conducted destructive testing or chemical analysis on incoming materials and chemicals. TI and TI suppliers consider certain information to be proprietary, and thus CAS numbers and other limited information may not be available for release.

In no event shall TI's liability arising out of such information exceed the total purchase price of the TI part(s) at issue in this document sold by TI to Customer on an annual basis.

TAPE AND REEL INFORMATION

QUADRANT ASSIGNMENTS FOR PIN 1 ORIENTATION IN TAPE

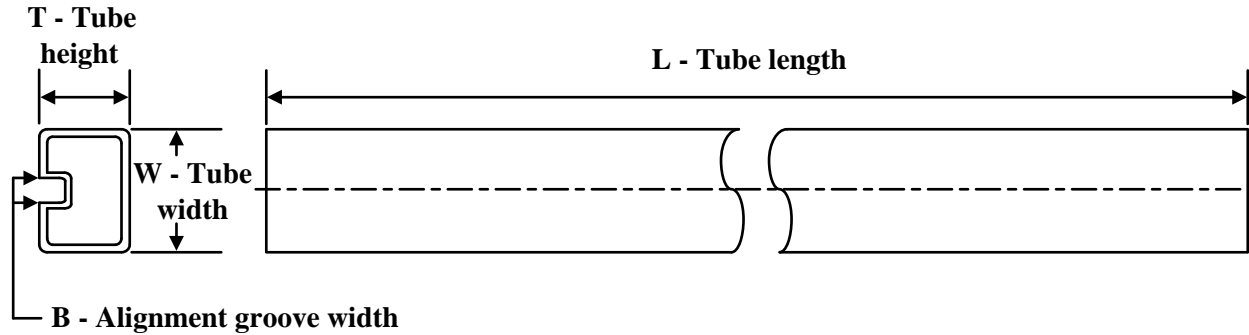

*All dimensions are nominal

| Device | Package Type | Package Drawing | Pins | SPQ | Reel Diameter (mm) | Reel Width W1 (mm) | A0 (mm) | B0 (mm) | K0 (mm) | P1 (mm) | W (mm) | Pin1 Quadrant |
|--------------|--------------|-----------------|------|------|--------------------|--------------------|---------|---------|---------|---------|--------|---------------|
| TPS62040DGQR | HVSSOP | DGQ | 10 | 2500 | 330.0 | 12.4 | 5.3 | 3.4 | 1.4 | 8.0 | 12.0 | Q1 |
| TPS62040DRCR | VSON | DRC | 10 | 3000 | 330.0 | 12.4 | 3.3 | 3.3 | 1.1 | 8.0 | 12.0 | Q2 |
| TPS62040DRCR | VSON | DRC | 10 | 3000 | 330.0 | 12.4 | 3.3 | 3.3 | 1.1 | 8.0 | 12.0 | Q2 |
| TPS62042DGQR | HVSSOP | DGQ | 10 | 2500 | 330.0 | 12.4 | 5.3 | 3.4 | 1.4 | 8.0 | 12.0 | Q1 |
| TPS62042DRCR | VSON | DRC | 10 | 3000 | 330.0 | 12.4 | 3.3 | 3.3 | 1.1 | 8.0 | 12.0 | Q2 |
| TPS62043DGQR | HVSSOP | DGQ | 10 | 2500 | 330.0 | 12.4 | 5.3 | 3.4 | 1.4 | 8.0 | 12.0 | Q1 |
| TPS62043DRCR | VSON | DRC | 10 | 3000 | 330.0 | 12.4 | 3.3 | 3.3 | 1.1 | 8.0 | 12.0 | Q2 |
| TPS62044DGQR | HVSSOP | DGQ | 10 | 2500 | 330.0 | 12.4 | 5.3 | 3.4 | 1.4 | 8.0 | 12.0 | Q1 |
| TPS62044DRCR | VSON | DRC | 10 | 3000 | 330.0 | 12.4 | 3.3 | 3.3 | 1.1 | 8.0 | 12.0 | Q2 |
| TPS62046DGQR | HVSSOP | DGQ | 10 | 2500 | 330.0 | 12.4 | 5.3 | 3.4 | 1.4 | 8.0 | 12.0 | Q1 |
| TPS62046DRCR | VSON | DRC | 10 | 3000 | 330.0 | 12.4 | 3.3 | 3.3 | 1.1 | 8.0 | 12.0 | Q2 |

TAPE AND REEL BOX DIMENSIONS


*All dimensions are nominal

| Device | Package Type | Package Drawing | Pins | SPQ | Length (mm) | Width (mm) | Height (mm) |
|--------------|--------------|-----------------|------|------|-------------|------------|-------------|
| TPS62040DGQR | HVSSOP | DGQ | 10 | 2500 | 364.0 | 364.0 | 27.0 |
| TPS62040DRCR | VSON | DRC | 10 | 3000 | 346.0 | 346.0 | 33.0 |
| TPS62040DRCR | VSON | DRC | 10 | 3000 | 353.0 | 353.0 | 32.0 |
| TPS62042DGQR | HVSSOP | DGQ | 10 | 2500 | 364.0 | 364.0 | 27.0 |
| TPS62042DRCR | VSON | DRC | 10 | 3000 | 353.0 | 353.0 | 32.0 |
| TPS62043DGQR | HVSSOP | DGQ | 10 | 2500 | 350.0 | 350.0 | 43.0 |
| TPS62043DRCR | VSON | DRC | 10 | 3000 | 353.0 | 353.0 | 32.0 |
| TPS62044DGQR | HVSSOP | DGQ | 10 | 2500 | 364.0 | 364.0 | 27.0 |
| TPS62044DRCR | VSON | DRC | 10 | 3000 | 353.0 | 353.0 | 32.0 |
| TPS62046DGQR | HVSSOP | DGQ | 10 | 2500 | 364.0 | 364.0 | 27.0 |
| TPS62046DRCR | VSON | DRC | 10 | 3000 | 353.0 | 353.0 | 32.0 |

TUBE


*All dimensions are nominal

| Device | Package Name | Package Type | Pins | SPQ | L (mm) | W (mm) | T (μm) | B (mm) |
|---------------|--------------|--------------|------|-----|--------|--------|--------|--------|
| TPS62040DGQ | DGQ | HVSSOP | 10 | 80 | 330 | 6.55 | 500 | 2.88 |
| TPS62040DGQ | DGQ | HVSSOP | 10 | 80 | 331.47 | 6.55 | 3000 | 2.88 |
| TPS62040DGQ.B | DGQ | HVSSOP | 10 | 80 | 331.47 | 6.55 | 3000 | 2.88 |
| TPS62040DGQ.B | DGQ | HVSSOP | 10 | 80 | 330 | 6.55 | 500 | 2.88 |
| TPS62040DGQG4 | DGQ | HVSSOP | 10 | 80 | 331.47 | 6.55 | 3000 | 2.88 |
| TPS62040DGQG4 | DGQ | HVSSOP | 10 | 80 | 330 | 6.55 | 500 | 2.88 |
| TPS62042DGQ | DGQ | HVSSOP | 10 | 80 | 330 | 6.55 | 500 | 2.88 |
| TPS62042DGQ | DGQ | HVSSOP | 10 | 80 | 331.47 | 6.55 | 3000 | 2.88 |
| TPS62042DGQ.B | DGQ | HVSSOP | 10 | 80 | 330 | 6.55 | 500 | 2.88 |
| TPS62042DGQ.B | DGQ | HVSSOP | 10 | 80 | 331.47 | 6.55 | 3000 | 2.88 |
| TPS62043DGQ | DGQ | HVSSOP | 10 | 80 | 331.47 | 6.55 | 3000 | 2.88 |
| TPS62043DGQ | DGQ | HVSSOP | 10 | 80 | 330 | 6.55 | 500 | 2.88 |
| TPS62043DGQ.B | DGQ | HVSSOP | 10 | 80 | 330 | 6.55 | 500 | 2.88 |
| TPS62043DGQ.B | DGQ | HVSSOP | 10 | 80 | 331.47 | 6.55 | 3000 | 2.88 |
| TPS62044DGQ | DGQ | HVSSOP | 10 | 80 | 330 | 6.55 | 500 | 2.88 |
| TPS62044DGQ.B | DGQ | HVSSOP | 10 | 80 | 330 | 6.55 | 500 | 2.88 |
| TPS62046DGQ | DGQ | HVSSOP | 10 | 80 | 330 | 6.55 | 500 | 2.88 |
| TPS62046DGQ | DGQ | HVSSOP | 10 | 80 | 331.47 | 6.55 | 3000 | 2.88 |
| TPS62046DGQ.B | DGQ | HVSSOP | 10 | 80 | 331.47 | 6.55 | 3000 | 2.88 |
| TPS62046DGQ.B | DGQ | HVSSOP | 10 | 80 | 330 | 6.55 | 500 | 2.88 |

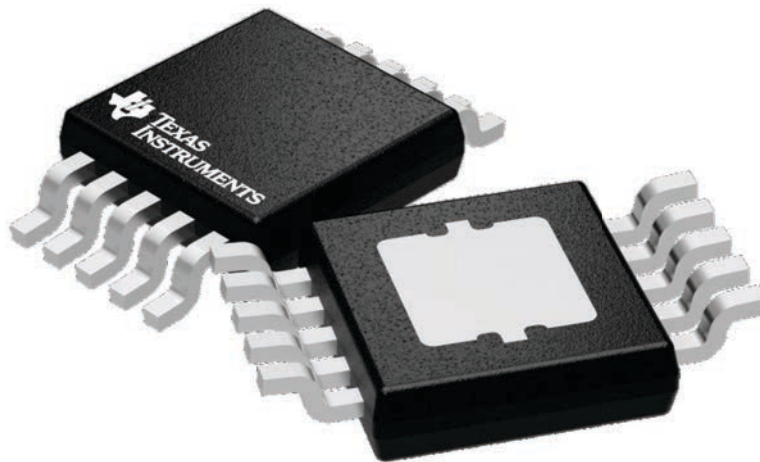
GENERIC PACKAGE VIEW

DGQ 10

PowerPAD™ HVSSOP - 1.1 mm max height

3 x 3, 0.5 mm pitch

PLASTIC SMALL OUTLINE



Images above are just a representation of the package family, actual package may vary.
Refer to the product data sheet for package details.

4224775/A

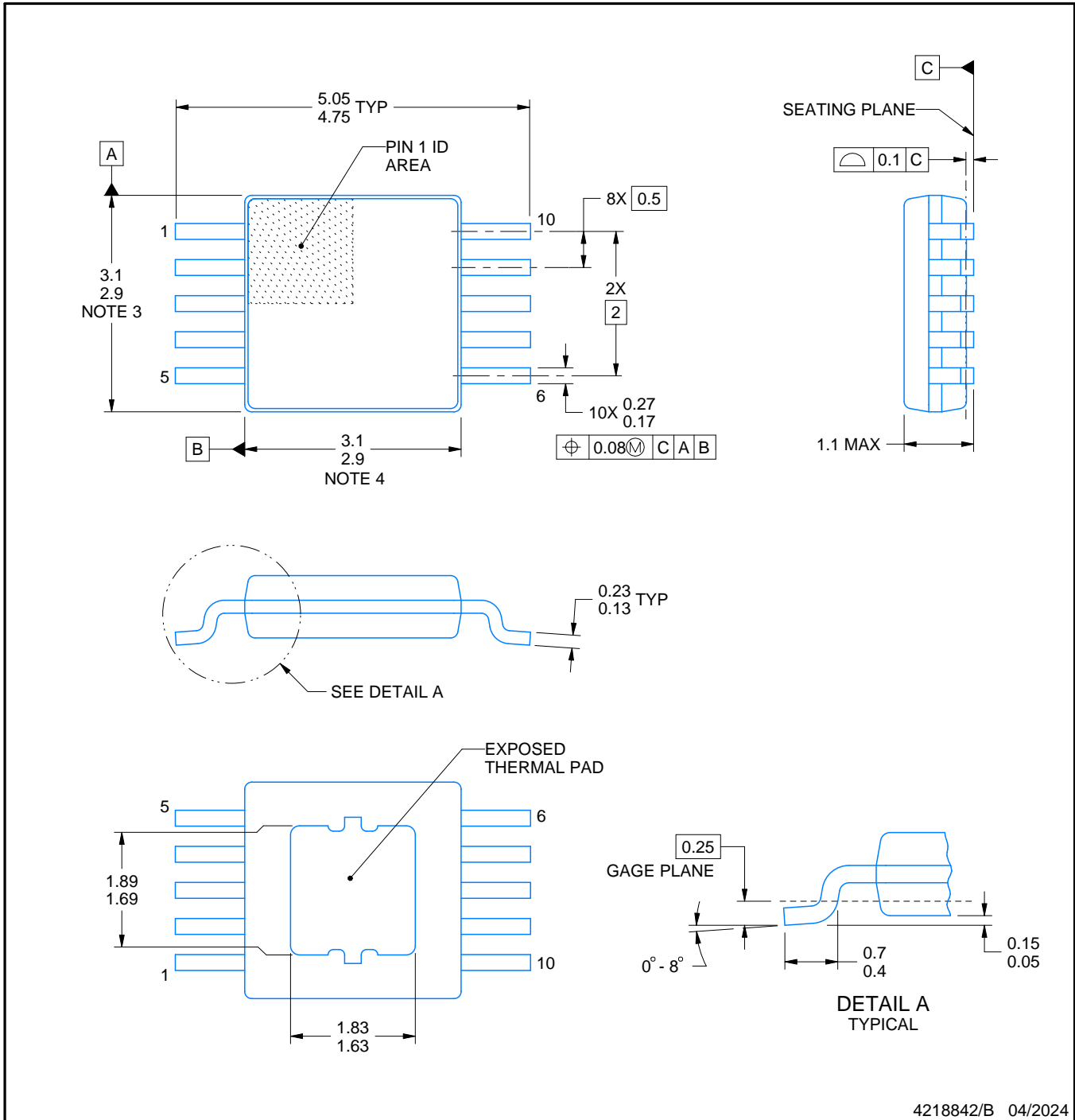
DGQ0010D



PACKAGE OUTLINE

PowerPAD™ - 1.1 mm max height

PLASTIC SMALL OUTLINE



4218842/B 04/2024

PowerPAD is a trademark of Texas Instruments.

NOTES:

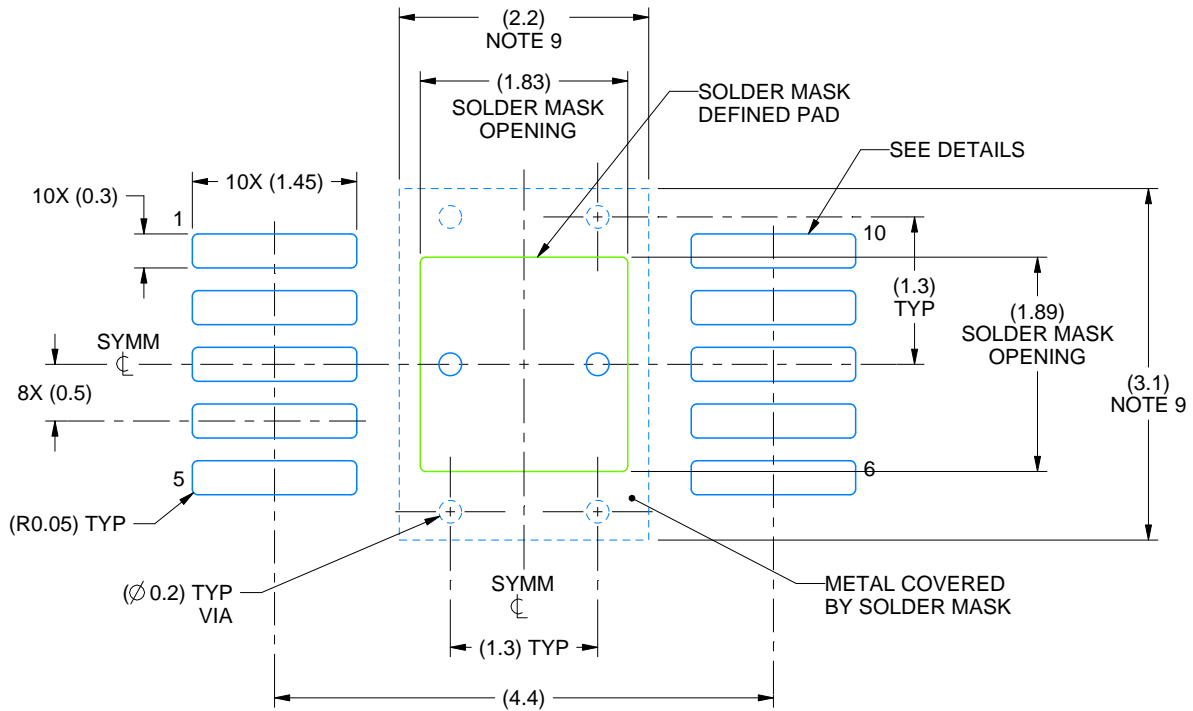
1. All linear dimensions are in millimeters. Any dimensions in parenthesis are for reference only. Dimensioning and tolerancing per ASME Y14.5M.
2. This drawing is subject to change without notice.
3. This dimension does not include mold flash, protrusions, or gate burrs. Mold flash, protrusions, or gate burrs shall not exceed 0.15 mm per side.
4. This dimension does not include interlead flash. Interlead flash shall not exceed 0.25 mm per side.
5. Reference JEDEC registration MO-187, variation BA-T.

EXAMPLE BOARD LAYOUT

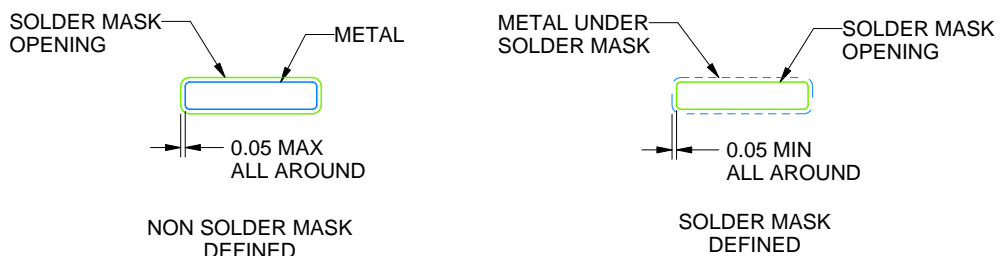
DGQ0010D

PowerPAD™ - 1.1 mm max height

PLASTIC SMALL OUTLINE



LAND PATTERN EXAMPLE
SCALE:15X



SOLDER MASK DETAILS

4218842/B 04/2024

NOTES: (continued)

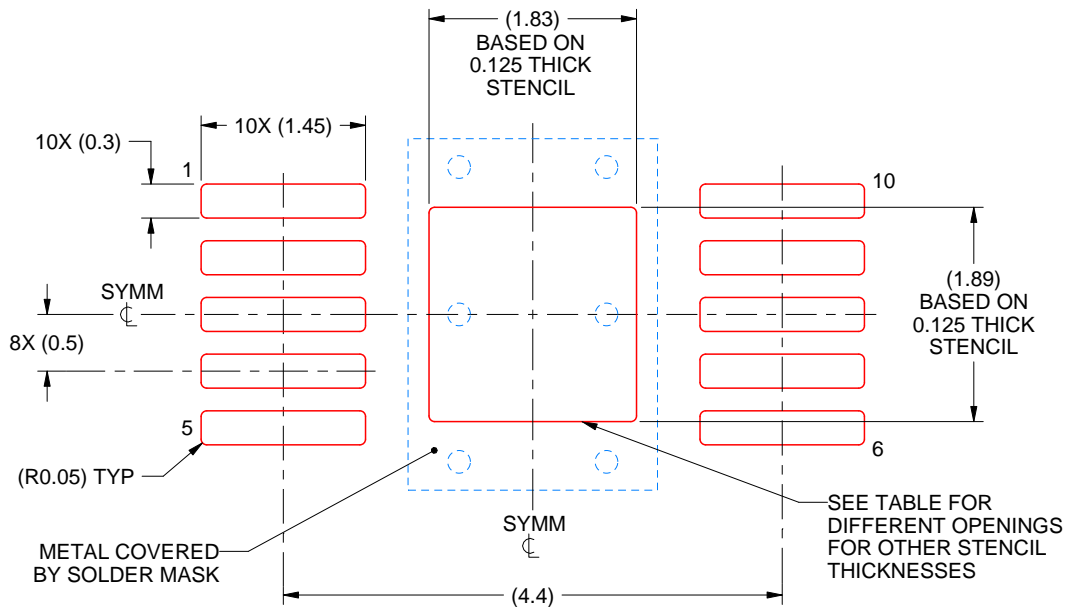
6. Publication IPC-7351 may have alternate designs.
7. Solder mask tolerances between and around signal pads can vary based on board fabrication site.
8. This package is designed to be soldered to a thermal pad on the board. For more information, see Texas Instruments literature numbers SLMA002 (www.ti.com/lit/slma002) and SLMA004 (www.ti.com/lit/slma004).
9. Size of metal pad may vary due to creepage requirement.

EXAMPLE STENCIL DESIGN

DGQ0010D

PowerPAD™ - 1.1 mm max height

PLASTIC SMALL OUTLINE



SOLDER PASTE EXAMPLE
EXPOSED PAD
100% PRINTED SOLDER COVERAGE BY AREA
SCALE:15X

| STENCIL THICKNESS | SOLDER STENCIL OPENING |
|-------------------|------------------------|
| 0.1 | 2.05 X 2.11 |
| 0.125 | 1.83 X 1.89 (SHOWN) |
| 0.150 | 1.67 X 1.73 |
| 0.175 | 1.55 X 1.60 |

4218842/B 04/2024

NOTES: (continued)

10. Laser cutting apertures with trapezoidal walls and rounded corners may offer better paste release. IPC-7525 may have alternate design recommendations.
11. Board assembly site may have different recommendations for stencil design.

GENERIC PACKAGE VIEW

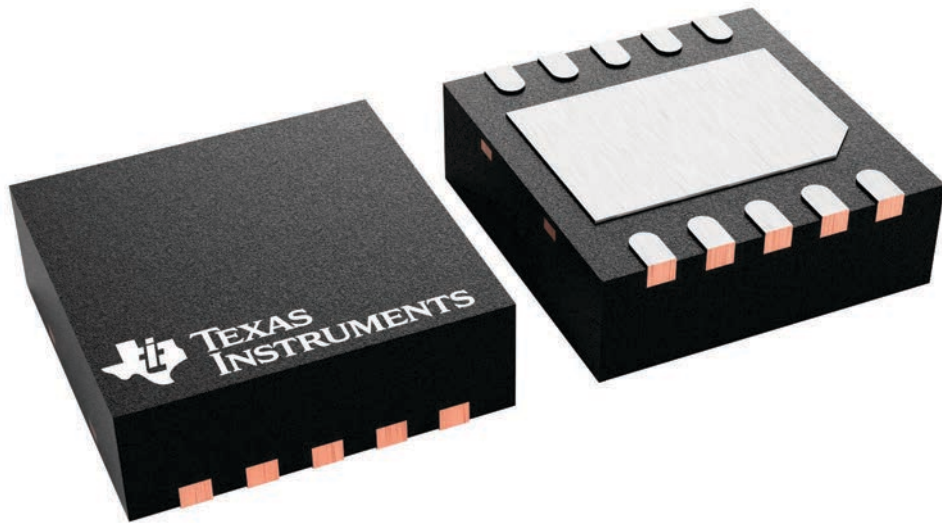
DRC 10

VSON - 1 mm max height

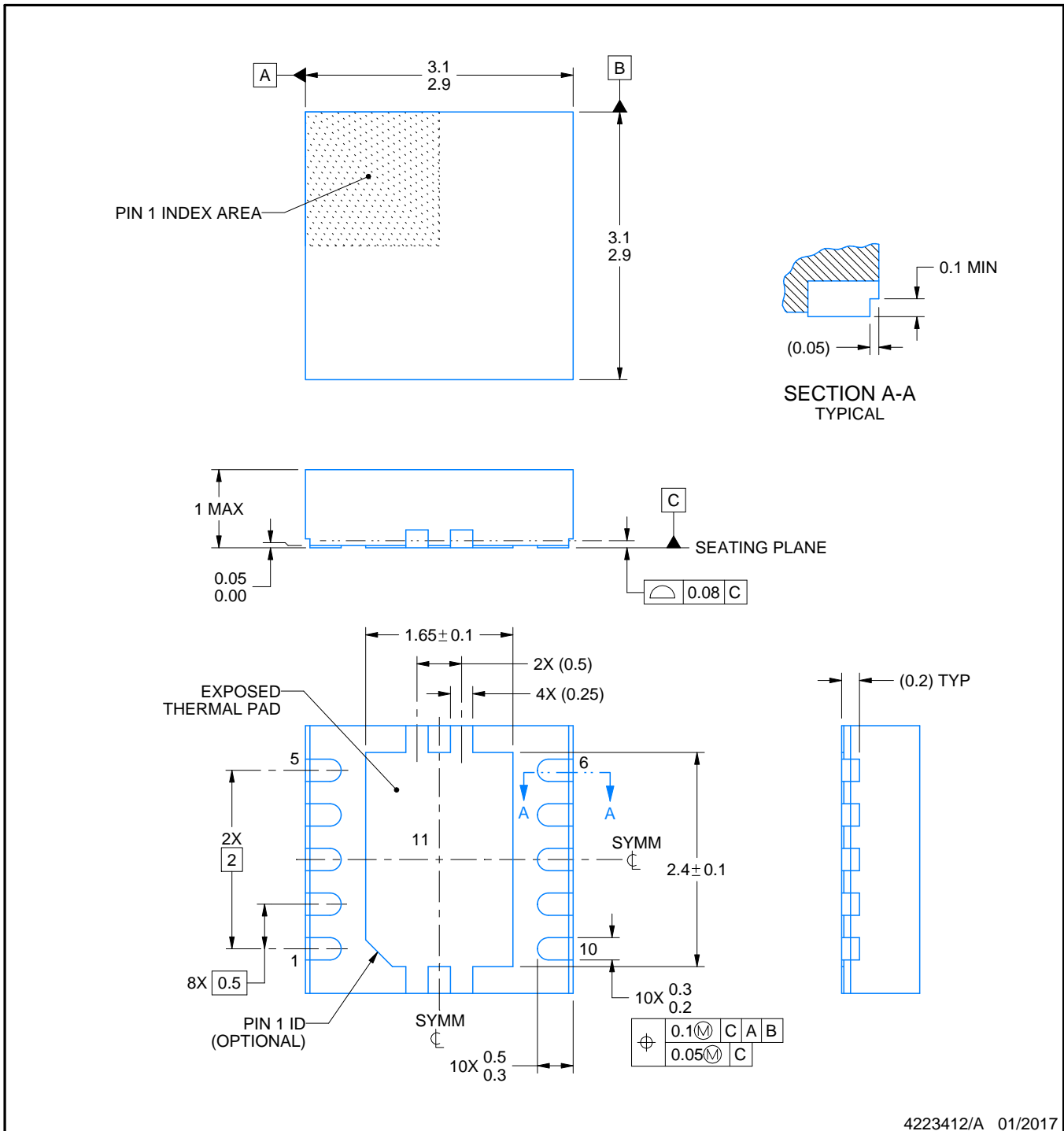
3 x 3, 0.5 mm pitch

PLASTIC SMALL OUTLINE - NO LEAD

This image is a representation of the package family, actual package may vary.
Refer to the product data sheet for package details.



4226193/A



4223412/A 01/2017

NOTES:

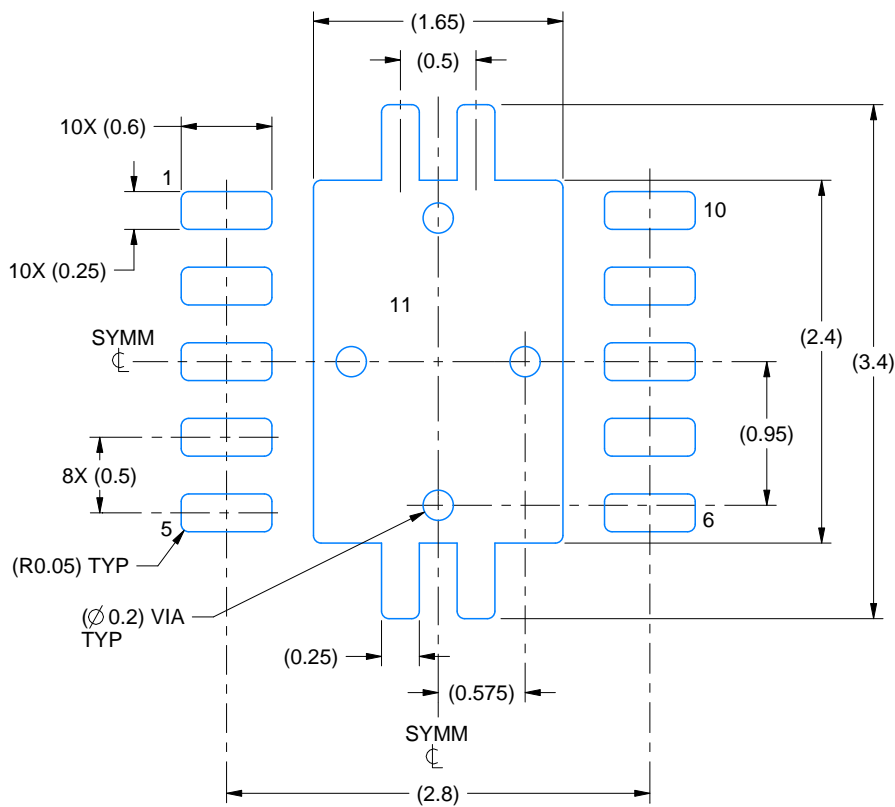
1. All linear dimensions are in millimeters. Any dimensions in parenthesis are for reference only. Dimensioning and tolerancing per ASME Y14.5M.
2. This drawing is subject to change without notice.
3. The package thermal pad must be soldered to the printed circuit board for optimal thermal and mechanical performance.

EXAMPLE BOARD LAYOUT

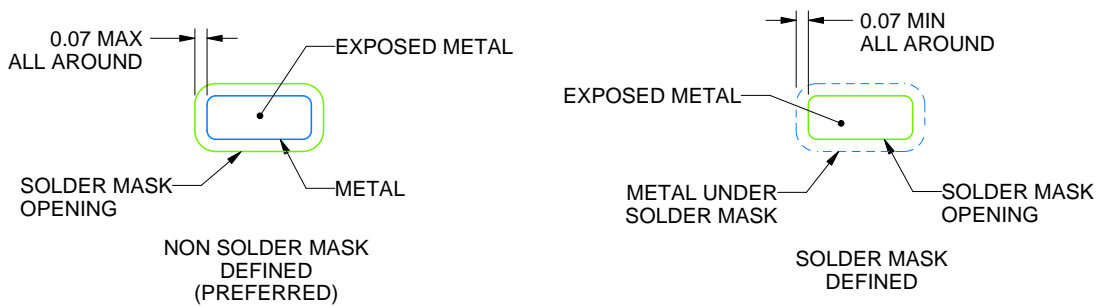
DRC0010R

VSON - 1 mm max height

PLASTIC SMALL OUTLINE - NO LEAD



LAND PATTERN EXAMPLE
EXPOSED METAL SHOWN
SCALE:20X



SOLDER MASK DETAILS

4223412/A 01/2017

NOTES: (continued)

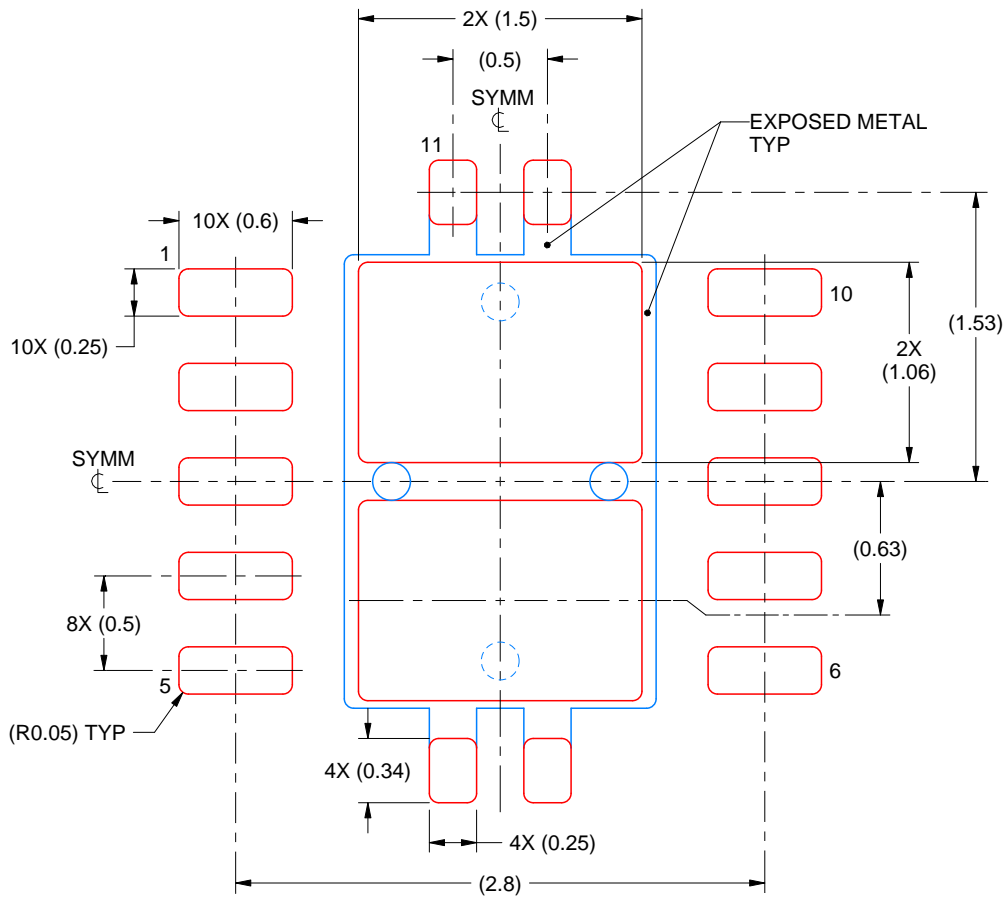
4. This package is designed to be soldered to a thermal pad on the board. For more information, see Texas Instruments literature number SLUA271 (www.ti.com/lit/sluea271).
5. Vias are optional depending on application, refer to device data sheet. If any vias are implemented, refer to their locations shown on this view. It is recommended that vias under paste be filled, plugged or tented.

EXAMPLE STENCIL DESIGN

DRC0010R

VSON - 1 mm max height

PLASTIC SMALL OUTLINE - NO LEAD



SOLDER PASTE EXAMPLE
BASED ON 0.125 mm THICK STENCIL

EXPOSED PAD 11:
80% PRINTED SOLDER COVERAGE BY AREA
SCALE:25X

4223412/A 01/2017

NOTES: (continued)

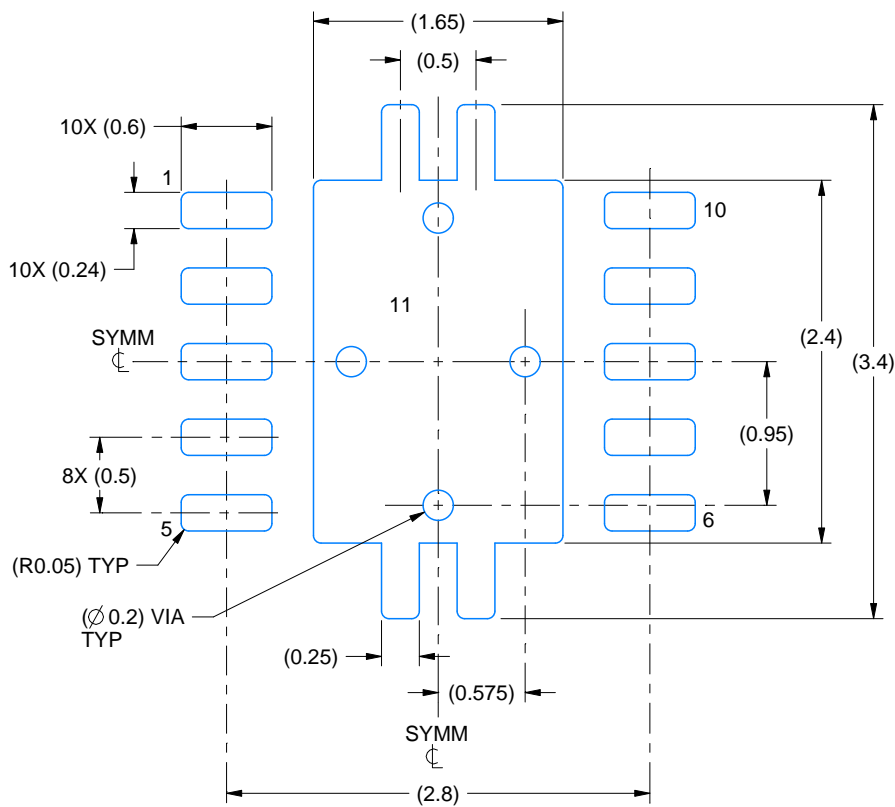
6. Laser cutting apertures with trapezoidal walls and rounded corners may offer better paste release. IPC-7525 may have alternate design recommendations.

EXAMPLE BOARD LAYOUT

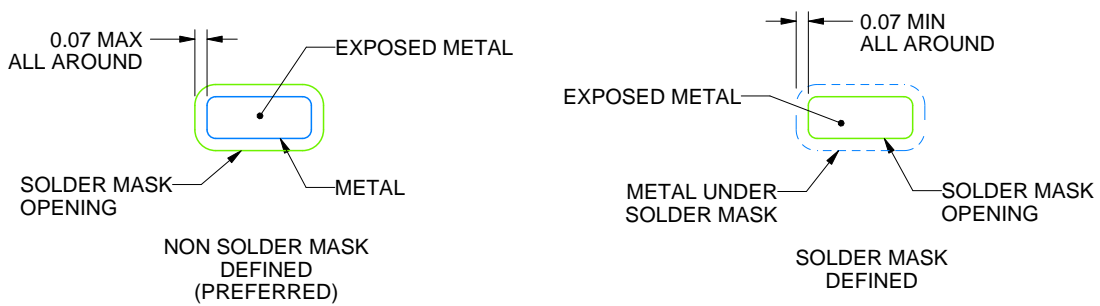
DRC0010J

VSON - 1 mm max height

PLASTIC SMALL OUTLINE - NO LEAD



LAND PATTERN EXAMPLE
EXPOSED METAL SHOWN
SCALE:20X



SOLDER MASK DETAILS

4218878/B 07/2018

NOTES: (continued)

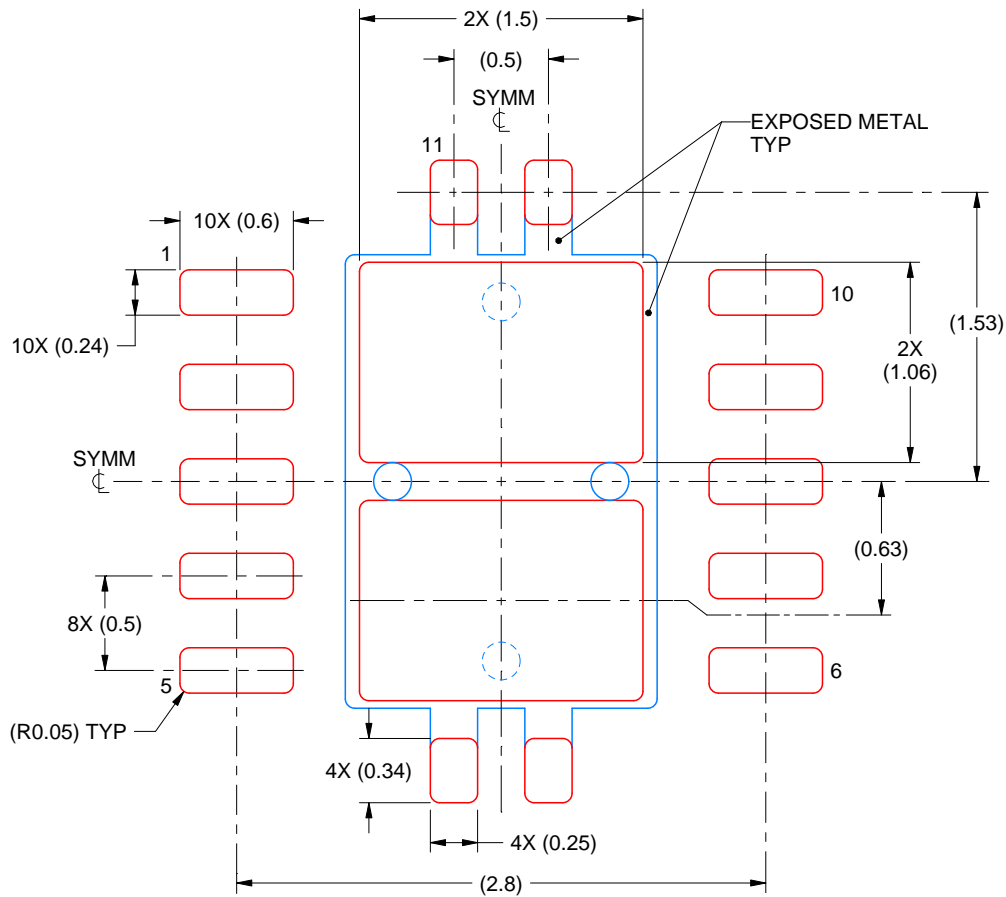
4. This package is designed to be soldered to a thermal pad on the board. For more information, see Texas Instruments literature number SLUA271 (www.ti.com/lit/sluea271).
5. Vias are optional depending on application, refer to device data sheet. If any vias are implemented, refer to their locations shown on this view. It is recommended that vias under paste be filled, plugged or tented.

EXAMPLE STENCIL DESIGN

DRC0010J

VSON - 1 mm max height

PLASTIC SMALL OUTLINE - NO LEAD



SOLDER PASTE EXAMPLE
BASED ON 0.125 mm THICK STENCIL

EXPOSED PAD 11:
80% PRINTED SOLDER COVERAGE BY AREA
SCALE:25X

4218878/B 07/2018

NOTES: (continued)

6. Laser cutting apertures with trapezoidal walls and rounded corners may offer better paste release. IPC-7525 may have alternate design recommendations.

IMPORTANT NOTICE AND DISCLAIMER

TI PROVIDES TECHNICAL AND RELIABILITY DATA (INCLUDING DATASHEETS), DESIGN RESOURCES (INCLUDING REFERENCE DESIGNS), APPLICATION OR OTHER DESIGN ADVICE, WEB TOOLS, SAFETY INFORMATION, AND OTHER RESOURCES "AS IS" AND WITH ALL FAULTS, AND DISCLAIMS ALL WARRANTIES, EXPRESS AND IMPLIED, INCLUDING WITHOUT LIMITATION ANY IMPLIED WARRANTIES OF MERCHANTABILITY, FITNESS FOR A PARTICULAR PURPOSE OR NON-INFRINGEMENT OF THIRD PARTY INTELLECTUAL PROPERTY RIGHTS.

These resources are intended for skilled developers designing with TI products. You are solely responsible for (1) selecting the appropriate TI products for your application, (2) designing, validating and testing your application, and (3) ensuring your application meets applicable standards, and any other safety, security, regulatory or other requirements.

These resources are subject to change without notice. TI grants you permission to use these resources only for development of an application that uses the TI products described in the resource. Other reproduction and display of these resources is prohibited. No license is granted to any other TI intellectual property right or to any third party intellectual property right. TI disclaims responsibility for, and you fully indemnify TI and its representatives against any claims, damages, costs, losses, and liabilities arising out of your use of these resources.

TI's products are provided subject to [TI's Terms of Sale](#), [TI's General Quality Guidelines](#), or other applicable terms available either on ti.com or provided in conjunction with such TI products. TI's provision of these resources does not expand or otherwise alter TI's applicable warranties or warranty disclaimers for TI products. Unless TI explicitly designates a product as custom or customer-specified, TI products are standard, catalog, general purpose devices.

TI objects to and rejects any additional or different terms you may propose.

Copyright © 2026, Texas Instruments Incorporated

Last updated 10/2025