

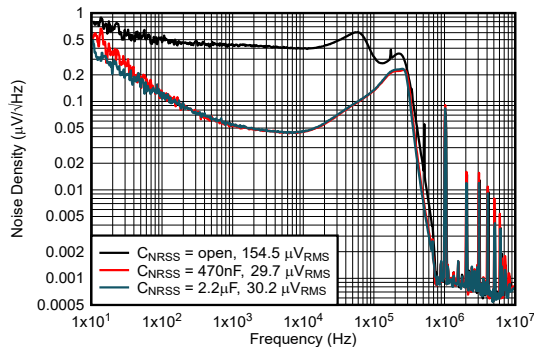
# TPSM8291x 3V to 17V, 4.5A/6A, Low Noise and Low Ripple Buck Module With Integrated Ferrite Bead Filter Compensation

## 1 Features

- Low output 1/f noise <  $20\mu\text{V}_{\text{RMS}}$  (100Hz to 100kHz)
- Low output voltage ripple <  $10\mu\text{V}_{\text{RMS}}$  after ferrite bead
- High PSRR of > 65dB (up to 100kHz)
- 2.2MHz, 1.4MHz, or 1.0MHz fixed frequency peak current mode control
- Synchronizable with external clock (optional)
- Integrated loop compensation supports ferrite bead for second stage L-C filter with 30dB attenuation (optional)
- Spread spectrum modulation (optional)
- 3.0V to 17V input voltage range
- 0.8V to 5.5V output voltage range
- $25\text{m}\Omega/7\text{m}\Omega R_{\text{DSon}}$
- Output voltage accuracy of  $\pm 1\%$  over temperature
- Precise enable input allows
  - User-defined undervoltage lockout
  - Exact sequencing
- Adjustable soft start
- Power-good output
- Output discharge (optional)
- $-40^\circ\text{C}$  to  $125^\circ\text{C}$  junction temperature range
- $4.0\text{mm} \times 4.7\text{mm} \times 3.0\text{mm}$  QFN
- Create a custom design using the TPSM8291x with the [WEBENCH® Power Designer](#)

## 2 Applications

- [Telecom infrastructure](#)
- [Test and measurement](#)
- [Aerospace and defense \(radar, avionics\)](#)
- [Medical](#)



## 3 Description

The TPSM8291x devices are a family of high-efficiency, low noise, and low ripple current mode synchronous buck modules. The devices are designed for noise sensitive applications that normally use an LDO for post regulation such as high-speed ADCs, clock and jitter cleaner, serializer, de-serializer, and radar applications.

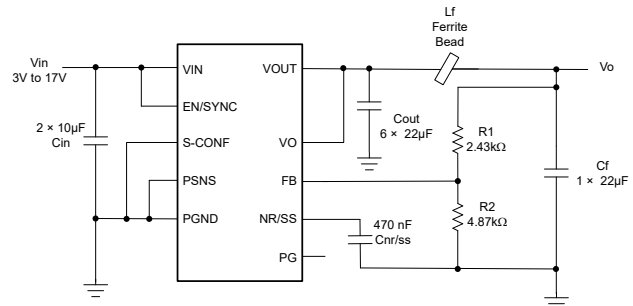
To reduce the output voltage ripple, the device loop compensation is designed to operate with an optional second-stage ferrite bead L-C filter. Low-frequency noise levels, similar to a low-noise LDO, are further achieved by filtering the internal voltage reference with a capacitor connected to the NR/SS pin. Combined, these features allow for an output voltage ripple below  $10\mu\text{V}_{\text{RMS}}$ .

The device operates at a fixed switching frequency of 2.2MHz, 1.4MHz, or 1MHz, and can be synchronized to an external clock. An optional spread spectrum modulation scheme spreads the DC/DC switching frequency over a wider span, which lowers the mixing spurs.

### Device Information

| DEVICE NAME              | OUTPUT CURRENT | PACKAGE <sup>(1)</sup> | PACKAGE SIZE <sup>(2)</sup> |
|--------------------------|----------------|------------------------|-----------------------------|
| TPSM82916                | 6A             | VCE (QFN-FCMOD, 16)    | 4.7mm × 4.0mm               |
| TPSM82914 <sup>(3)</sup> | 4.5A           |                        |                             |

- (1) For more information, see [Section 10](#).
- (2) The package size (length × width) is a nominal value and includes pins, where applicable.
- (3) Product Preview information (not Advance Information).



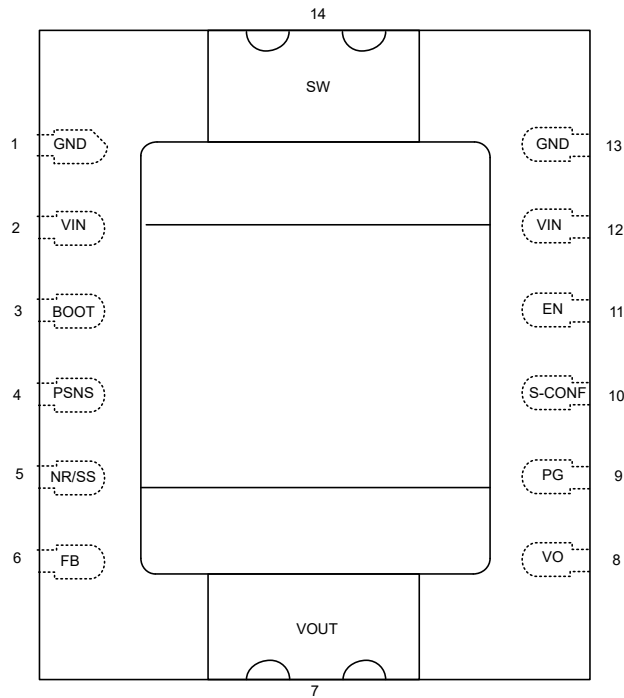
Typical Application



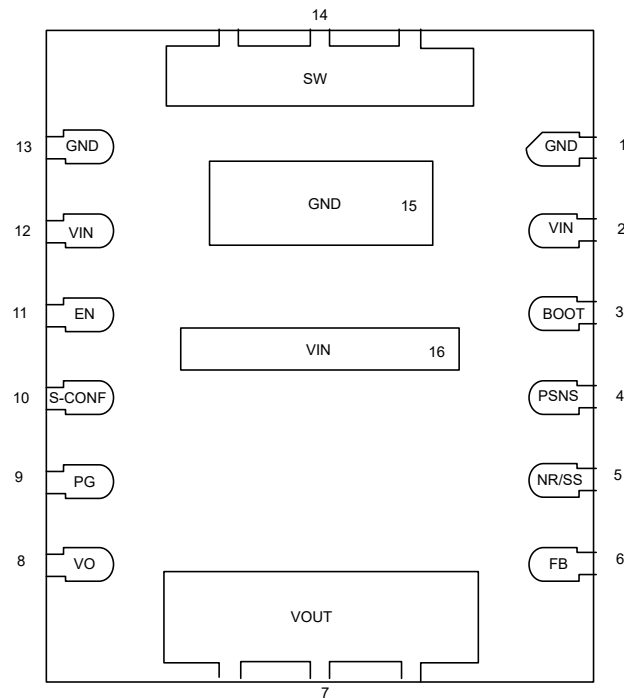
## Table of Contents

|  |    |  |    |
|--|----|--|----|
| <b>1 Features</b> .....                        | 1  | <b>7 Application and Implementation</b> .....                    | 17 |
| <b>2 Applications</b> .....                    | 1  | 7.1 Application Information.....                                 | 17 |
| <b>3 Description</b> .....                     | 1  | 7.2 Typical Applications.....                                    | 17 |
| <b>4 Pin Configuration and Functions</b> ..... | 3  | 7.3 Power Supply Recommendations.....                            | 21 |
| <b>5 Specifications</b> .....                  | 5  | 7.4 Layout.....  | 21 |
| 5.1 Absolute Maximum Ratings.....              | 5  | <b>8 Device and Documentation Support</b> .....                  | 24 |
| 5.2 ESD Ratings.....                           | 5  | 8.1 Device Support.....  | 24 |
| 5.3 Recommended Operating Conditions.....      | 5  | 8.2 Documentation Support.....                                   | 24 |
| 5.4 Thermal Information.....                   | 6  | 8.3 Receiving Notification of Documentation Updates....          | 24 |
| 5.5 Electrical Characteristics.....            | 6  | 8.4 Support Resources.....                                       | 24 |
| 5.6 Typical Characteristics.....               | 8  | 8.5 Trademarks.....  | 24 |
| <b>6 Detailed Description</b> .....            | 11 | 8.6 Electrostatic Discharge Caution.....                         | 25 |
| 6.1 Overview.....                              | 11 | 8.7 Glossary.....  | 25 |
| 6.2 Functional Block Diagram.....              | 11 | <b>9 Revision History</b> .....                                  | 25 |
| 6.3 Feature Description.....                   | 12 | <b>10 Mechanical, Packaging, and Orderable Information</b> ..... | 25 |
| 6.4 Device Functional Modes.....               | 15 |  |    |

## 4 Pin Configuration and Functions



**Figure 4-1. 16-Pin VCE QFN-FCMOD Package (Top View)**



**Figure 4-2. 16-Pin VCE QFN-FCMOD Package (Bottom View)**

**ADVANCE INFORMATION**

**Table 4-1. Pin Functions**

| PIN          |              | TYPE<br>(1) | DESCRIPTION   |
|--------------|--------------|-------------|---|
| NO.          | NAME         |             |   |
| 1, 13,<br>15 | PGND         | —           | Power ground connection   |
| 2, 12,<br>16 | VIN          | I           | Power supply input voltage pin  |
| 3            | BOOT<br>(NC) | I           | Supply for the internal high-side MOSFET gate driver. This pin is internally connected to a capacitor. Do not connect anything to this pin.   |
| 4            | PSNS         | —           | Power sense ground, connect directly to GND plane   |
| 5            | NR/SS        | O           | A capacitor connected to this pin sets the soft-start time and low frequency noise level of the device.   |
| 6            | FB           | O           | Feedback pin of the device  |
| 7            | VOUT         | O           | VOUT pin. Connect to the recommend output capacitance.  |
| 8            | VO           | I           | Output voltage sense pin. This pin must be connected directly after the first inductor.   |
| 9            | PG           | O           | Open-drain power-good output. This pin is pulled to GND when $V_{OUT}$ is below the power-good threshold. This pin requires a pullup resistor to output a logic high. This pin can be left open or tied to GND if not used.   |
| 10           | S-CONF       | O           | Smart Configuration pin. This pin configures the operation modes of the device. See <a href="#">Section 6.3.1</a> .   |
| 11           | EN/SYNC      | I           | Enable/Disable pin including threshold-comparator. Connect to logic low to disable the device. Pull high to enable the device. This pin has an internal pulldown resistor of typically 500k $\Omega$ when the device is disabled. Apply a clock to this pin to synchronize the device |
| 14           | SW (NC)      | O           | Switch pin of the power stage. This pin is internally connected to the SW of the converter and the inductor. Make these pads as small as possible under the device, and do not connect anything but a test node to the pad if desired.  |

(1) I = input, O = output

## 5 Specifications

### 5.1 Absolute Maximum Ratings

over operating junction temperature range (unless otherwise noted)<sup>(1)</sup>

|                        |  | MIN  | MAX                   | UNIT |
|------------------------|--|------|-----------------------|------|
| Voltage <sup>(2)</sup> | VIN, EN/SYNC, PG, S-CONF               | -0.3 | 18                    | V    |
|                        | SW (DC)                                | -0.3 | V <sub>IN</sub> + 0.3 | V    |
|                        | SW (AC, less than 10ns) <sup>(3)</sup> | -2.5 | 21                    | V    |
|                        | BOOT                                   | -0.3 | V <sub>IN</sub> + 6   |      |
|                        | BOOT to SW                             | -0.3 | 6                     |      |
|                        | VO, FB, NR/SS                          | -0.3 | 6                     | V    |
|                        | VSNS-                                  | -0.3 | 0.3                   | V    |
| Sink Current           | PG                                     |      | 10                    | mA   |
| T <sub>J</sub>         | Junction temperature                   | -40  | 150                   | °C   |
| T <sub>stg</sub>       | Storage temperature                    | -65  | 150                   | °C   |

- (1) Operation outside the Absolute Maximum Ratings may cause permanent device damage. Absolute Maximum Ratings do not imply functional operation of the device at these or any other conditions beyond those listed under Recommended Operating Conditions. If used outside the Recommended Operating Conditions but within the Absolute Maximum Ratings, the device may not be fully functional, and this may affect device reliability, functionality, performance, and shorten the device lifetime.
- (2) All voltage values are with respect to the network ground terminal.
- (3) While switching.

### 5.2 ESD Ratings

|                    |                         |   | VALUE | UNIT |
|--------------------|-------------------------|---|-------|------|
| V <sub>(ESD)</sub> | Electrostatic discharge | Human body model (HBM), per ANSI/ESDA/JEDEC JS-001, all pins <sup>(1)</sup>     | ±2000 | V    |
|                    |                         | Charged device model (CDM), per ANSI/ESDA/JEDEC JS-002, all pins <sup>(2)</sup> | ±500  |      |

- (1) JEDEC document JEP155 states that 500V HBM allows safe manufacturing with a standard ESD control process.
- (2) JEDEC document JEP157 states that 250V CDM allows safe manufacturing with a standard ESD control process.

### 5.3 Recommended Operating Conditions

over operating junction temperature range (unless otherwise noted)

|                                   |   | MIN | NOM | MAX | UNIT |
|-----------------------------------|---|-----|-----|-----|------|
| V <sub>IN</sub>                   | Input voltage   | 3.0 |     | 17  | V    |
| V <sub>OUT</sub>                  | Output voltage  | 0.8 |     | 5.5 | V    |
| C <sub>IN</sub>                   | Effective input capacitance   | 5   | 10  |     | µF   |
| C <sub>OUT</sub>                  | Effective output capacitance  | 80  | 120 | 200 | µF   |
| L <sub>f</sub>                    | Effective filter inductance   | 0   | 10  | 50  | nH   |
| C <sub>f</sub>                    | Effective filter capacitance  | 20  | 40  | 160 | µF   |
| C <sub>OUT</sub> + C <sub>f</sub> | Effective total output capacitance, including first and second L-C filter | 80  |     | 400 | µF   |
| I <sub>OUT</sub>                  | Output current for TPSM82914  | 0   |     | 4.5 | A    |
| I <sub>OUT</sub>                  | Output current for TPSM82916  | 0   |     | 6   | A    |
| T <sub>J</sub> <sup>(1)</sup>     | Junction temperature  | -40 |     | 125 | °C   |

- (1) Operating lifetime is derated at junction temperatures above 125°C.

## 5.4 Thermal Information

| THERMAL METRIC <sup>(1)</sup> |  | TPSM8291x            |                    | UNIT |
|-------------------------------|--|----------------------|--------------------|------|
|                               |  | VCE 16-pin QFN-FCMOD |                    |      |
|                               |  | JEDEC 51-7 PCB       | TPSM8291xEVM       |      |
| R <sub>θJA</sub>              | Junction-to-ambient thermal resistance       | TBD                  | 25.7               | °C/W |
| R <sub>θJC(top)</sub>         | Junction-to-case (top) thermal resistance    | TBD                  | n/a <sup>(2)</sup> | °C/W |
| R <sub>θJB</sub>              | Junction-to-board thermal resistance         | TBD                  | n/a <sup>(2)</sup> | °C/W |
| Ψ <sub>JT</sub>               | Junction-to-top characterization parameter   | TBD                  | TBD                | °C/W |
| Υ <sub>JB</sub>               | Junction-to-board characterization parameter | TBD                  | TBD                | °C/W |

(1) For more information about traditional and new thermal metrics, see the [Semiconductor and IC Package Thermal Metrics](#) application note.

(2) Not applicable to an EVM.

## 5.5 Electrical Characteristics

Over recommended input voltage range, T<sub>J</sub> = –40°C to 125°C. Typical values are at V<sub>IN</sub> = 12V and T<sub>J</sub> = 25°C (unless otherwise noted)

| PARAMETER                    |  | TEST CONDITIONS  | MIN  | TYP  | MAX  | UNIT |
|------------------------------|--|--|------|------|------|------|
| <b>SUPPLY</b>                |  |  |      |      |      |      |
| I <sub>Q</sub>               | Quiescent current                                  | EN = High, no load, device switching, f <sub>sw</sub> = 1MHz                             |      | 5    |      | mA   |
| I <sub>SD</sub>              | Shutdown current                                   | EN = GND, T <sub>J</sub> = –40°C to 125°C  |      | 0.3  | 70   | μA   |
| V <sub>UVLO</sub>            | Undervoltage lockout                               | V <sub>IN</sub> rising, T <sub>J</sub> = –40°C to 125°C                                  | 2.85 | 2.92 | 3.0  | V    |
| V <sub>HYS</sub>             | Undervoltage lockout hysteresis                    |  |      | 200  |      | mV   |
| T <sub>JSD</sub>             | Thermal shutdown threshold                         | T <sub>J</sub> rising  |      | 170  |      | °C   |
|                              | Thermal shutdown hysteresis                        | T <sub>J</sub> falling   |      | 20   |      | °C   |
| <b>CONTROL and INTERFACE</b> |  |  |      |      |      |      |
| V <sub>H_EN</sub>            | High-level input-threshold voltage at EN/ SYNC     |  | 0.97 | 1.01 | 1.04 | V    |
| V <sub>L_EN</sub>            | Low-level input-threshold voltage at EN/ SYNC      |  | 0.87 | 0.9  | 0.93 | V    |
| V <sub>H_SYNC</sub>          | High-level input-threshold clock signal on EN/SYNC | EN/SYNC = clock  | 1.1  |      |      | V    |
| V <sub>L_SYNC</sub>          | Low-level input-threshold clock signal on EN/SYNC  | EN/SYNC = clock  |      |      | 0.4  | V    |
| I <sub>EN,LKG</sub>          | Input leakage current into EN/SYNC                 | EN/SYNC = GND or V <sub>IN</sub> , –40°C ≤ T <sub>J</sub> ≤ 125°C                        |      | 5    | 160  | nA   |
| R <sub>PD</sub>              | Pulldown resistor on EN/SYNC                       | EN/SYNC = Low  | 330  | 500  |      | kΩ   |
| t <sub>delay</sub>           | Enable delay time                                  | Time from EN/SYNC high to device starts switching, R <sub>S-CONF</sub> = 80.6kΩ          |      | 1    |      | ms   |
| I <sub>NR/SS</sub>           | NR/SS source current                               |  | 67.5 | 75   | 82.5 | μA   |
| R <sub>S-CONF</sub>          | S-CONF resistor step range accuracy                | R <sub>S-CONF</sub> tolerance for all settings according to <a href="#">S-CONF Table</a> | –4   |      | +4   | %    |
| V <sub>PG</sub>              | Power-good threshold                               | V <sub>FB</sub> rising, referenced to V <sub>FB</sub> nominal                            | 93   | 95   | 98   | %    |
| V <sub>PG</sub>              | Power-good threshold                               | V <sub>FB</sub> falling, referenced to V <sub>FB</sub> nominal                           | 88   | 90   | 93   | %    |
| V <sub>PG,OL</sub>           | Low-level output voltage at PG pin                 | I <sub>SINK</sub> = 1 mA   |      |      | 0.4  | V    |
| I <sub>PG,LKG</sub>          | Input leakage current into PG pin                  | V <sub>PG</sub> = 5 V; –40°C ≤ T <sub>J</sub> ≤ 125°C                                    |      | 5    | 500  | nA   |
| t <sub>PG,DLY</sub>          | Power-good delay time                              | V <sub>FB</sub> falling  |      | 8    |      | μs   |
| <b>OUTPUT</b>                |  |  |      |      |      |      |
| t <sub>on</sub>              | Minimum on-time                                    | V <sub>IN</sub> ≥ 5V, I <sub>out</sub> = 1A  |      | 35   |      | ns   |
| t <sub>off</sub>             | Minimum off-time                                   | V <sub>IN</sub> ≥ 5V, I <sub>out</sub> = 1A  |      | 50   |      | ns   |

## 5.5 Electrical Characteristics (continued)

Over recommended input voltage range,  $T_J = -40^{\circ}\text{C}$  to  $125^{\circ}\text{C}$ . Typical values are at  $V_{IN} = 12\text{V}$  and  $T_J = 25^{\circ}\text{C}$  (unless otherwise noted)

| PARAMETER         |                                   | TEST CONDITIONS   | MIN   | TYP  | MAX   | UNIT                |
|-------------------|-----------------------------------|---|-------|------|-------|---------------------|
| $V_{FB}$          | Feedback regulation accuracy      | $-40^{\circ}\text{C} \leq T_J \leq 125^{\circ}\text{C}$   | 0.792 | 0.8  | 0.808 | V                   |
| $I_{FB,LKG}$      | Input leakage current into FB     | $V_{FB} = 0.8\text{V}$ , $-40^{\circ}\text{C} \leq T_J \leq 125^{\circ}\text{C}$  |       | 1    | 70    | nA                  |
| $I_{VO,LKG}$      | Input leakage current into VO     | $V_{VO} = 1.2\text{V}$ , $-40^{\circ}\text{C} \leq T_J \leq 125^{\circ}\text{C}$  |       | 0.01 | 30    | $\mu\text{A}$       |
| PSRR              | Power supply rejection ratio      | $V_{IN} = 12\text{V}$ , $1.2V_{OUT}$ , $1\text{A}$ , $C_{NR/SS} = 470\text{nF}$ , $f_{SW} = 1\text{MHz}$ , $C_{FF} = \text{open}$ , $C_{OUT} = 4 \times 22\mu\text{F}$ , $f \leq 100\text{kHz}$               |       | 65   |       | dB                  |
| PSRR              | Power supply rejection ratio      | $V_{IN} = 5\text{V}$ , $1.2V_{OUT}$ , $1\text{A}$ , $C_{NR/SS} = 470\text{nF}$ , $f_{SW} = 2.2\text{MHz}$ , $C_{FF} = \text{open}$ , $C_{OUT} = 4 \times 22\mu\text{F}$ , $f \leq 100\text{kHz}$              |       | 70   |       | dB                  |
| $V_{NRMS}$        | Output voltage RMS noise          | $V_{IN} = 12\text{V}$ , $BW = 100\text{Hz}$ to $100\text{kHz}$ , $C_{NR/SS} = 470\text{nF}$ , $f_{SW} = 1\text{MHz}$ , $V_{OUT} = 1.2\text{V}$ , $C_{FF} = \text{open}$ , $C_{OUT} = 4 \times 22\mu\text{F}$  |       | 24.4 |       | $\mu\text{V}_{RMS}$ |
| $V_{NRMS}$        | Output voltage RMS noise          | $V_{IN} = 5\text{V}$ , $BW = 100\text{Hz}$ to $100\text{kHz}$ , $C_{NR/SS} = 470\text{nF}$ , $f_{SW} = 2.2\text{MHz}$ , $V_{OUT} = 1.2\text{V}$ , $C_{FF} = \text{open}$ , $C_{OUT} = 4 \times 22\mu\text{F}$ |       | 16.5 |       | $\mu\text{V}_{RMS}$ |
| $V_{opp}$         | Output ripple voltage at $f_{SW}$ | $V_{IN} = 12\text{V}$ , $f_{SW} = 1\text{MHz}$ , $V_{OUT} = 1.2\text{V}$ , $C_{OUT} = 4 \times 22\mu\text{F}$ , $L_f = 10\text{nH}$ , $C_f = 22\mu\text{F}$   |       | 36   |       | $\mu\text{V}_{RMS}$ |
| $R_{DIS}$         | Output discharge resistance       | EN/SYNC = GND, $V_{OUT} = 1.2\text{V}$ , $V_{IN} \geq 5\text{V}$ .  |       | 3.5  |       | $\Omega$            |
| $R_{DIS}$         | Output discharge resistance       | EN/SYNC = GND, $V_{OUT} = 5\text{V}$ , $V_{IN} \geq 5\text{V}$ .  |       | 16   |       | $\Omega$            |
| $f_{SW}$          | Switching frequency               | 2.2MHz setting  | 1.98  | 2.2  | 2.42  | MHz                 |
| $f_{SW}$          | Switching frequency               | 1.4MHz setting  | 1.26  | 1.4  | 1.54  | MHz                 |
| $f_{SW}$          | Switching frequency               | 1MHz setting  | 0.9   | 1    | 1.18  | MHz                 |
| $D_{SYNC}$        | Synchronization duty cycle        |   | 45    |      | 55    | %                   |
| $t_{sync\_elay}$  | Synchronization phase delay       | Phase delay from EN/SYNC rising edge to SW rising edge  |       | 90   |       | ns                  |
| $I_{SWpeak}$      | Peak switch current limit         | TPSM82914   | 6.0   | 7.0  | 8.0   | A                   |
| $I_{SWvalley}$    | Valley switch current limit       | TPSM82914   |       | 6.8  |       | A                   |
| $I_{SWpeak}$      | Peak switch current limit         | TPSM82916   | 8.0   | 8.5  | 9.0   | A                   |
| $I_{SWvalley}$    | Valley switch current limit       | TPSM82916   |       | 8.3  |       | A                   |
| $I_{neg\_valley}$ | Negative valley current limit     |   |       | -2.9 | -2    | A                   |
| $R_{DS(ON)}$      | High-side FET on-resistance       | $V_{IN} \geq 5\text{V}$   |       | 25   |       | m $\Omega$          |
|                   | Low-side FET on-resistance        | $V_{IN} \geq 5\text{V}$   |       | 6.5  |       | m $\Omega$          |

## 5.6 Typical Characteristics

$I_{IN} = 12V$ ,  $V_{OUT} = 1.2V$ ,  $T_A = 25^\circ C$ , BOM = [Table 7-1](#), (unless otherwise noted)

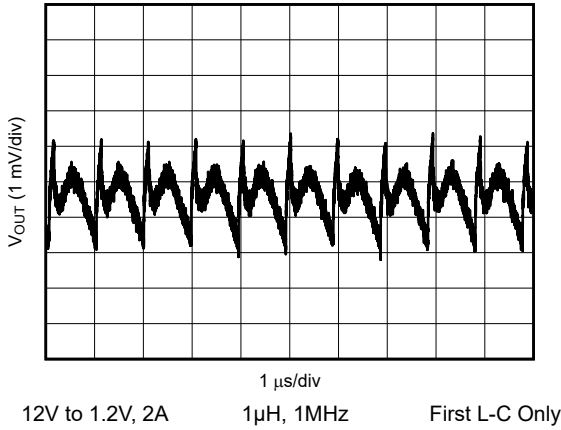


Figure 5-1.  $V_{OUT}$  Ripple After the First L-C Filter

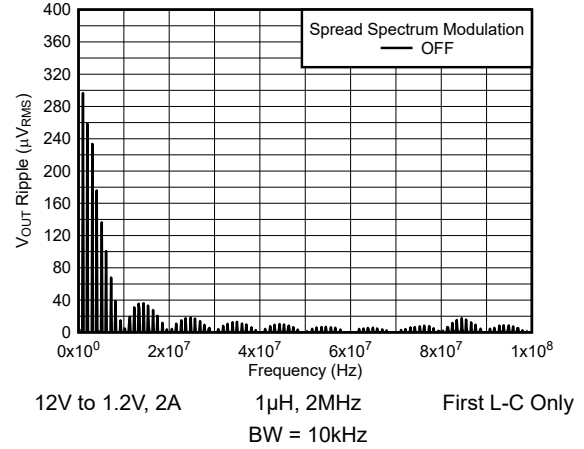


Figure 5-2.  $V_{OUT}$  Ripple FFT After the First L-C Filter

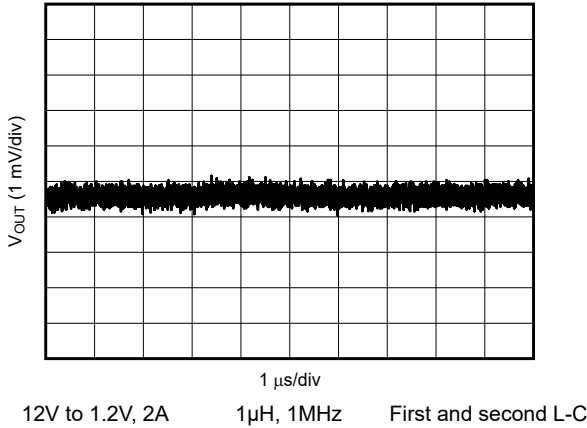


Figure 5-3.  $V_{OUT}$  Ripple After the Second L-C Filter

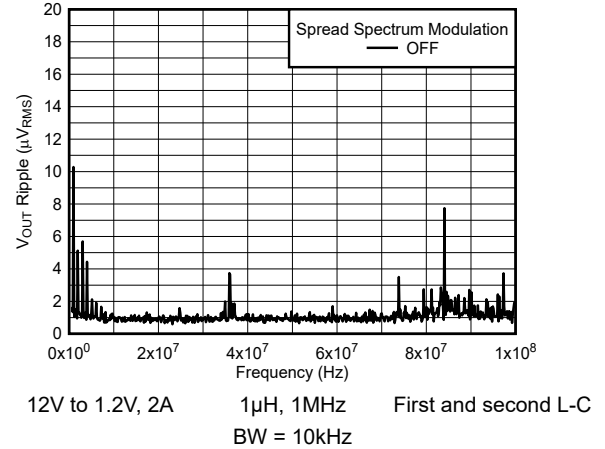


Figure 5-4.  $V_{OUT}$  Ripple FFT After the Second L-C Filter

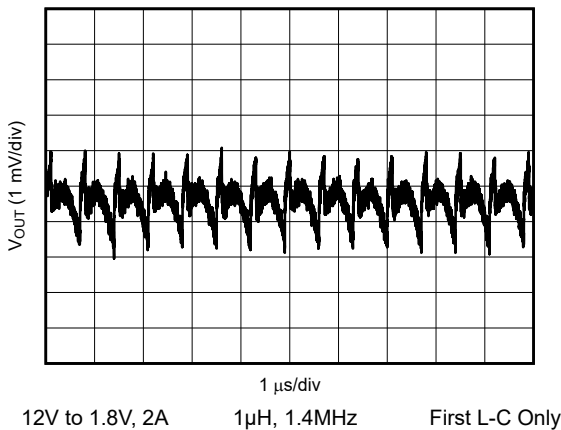


Figure 5-5.  $V_{OUT}$  Ripple After the First L-C Filter

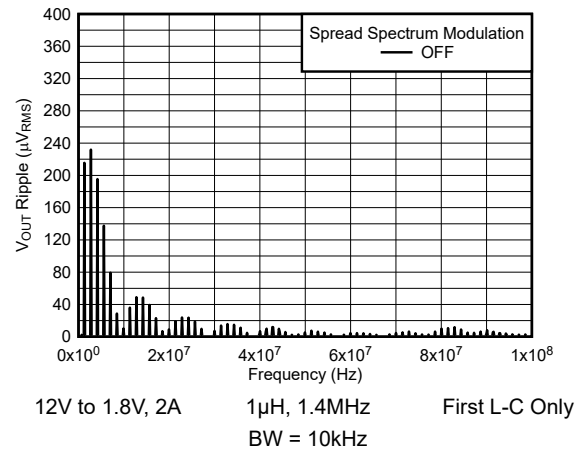
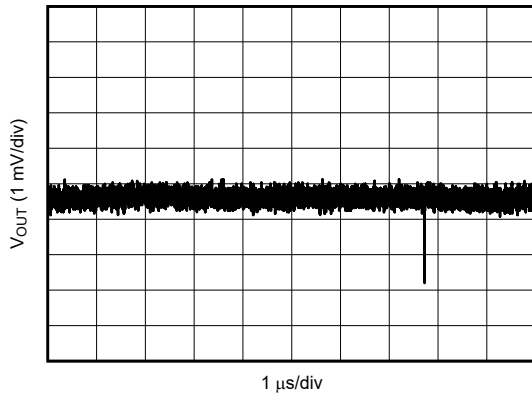


Figure 5-6.  $V_{OUT}$  Ripple FFT After the First L-C Filter



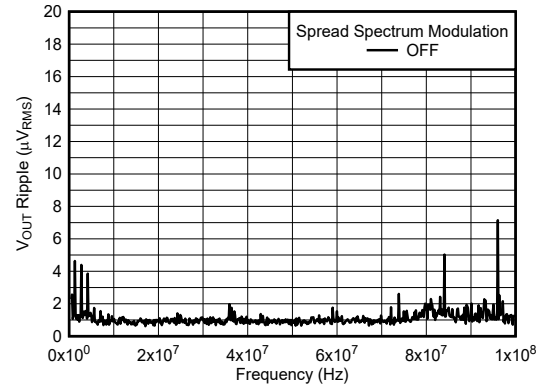
## 5.6 Typical Characteristics (continued)

$I_{IN} = 12V$ ,  $V_{OUT} = 1.2V$ ,  $T_A = 25^\circ C$ , BOM = [Table 7-1](#), (unless otherwise noted)



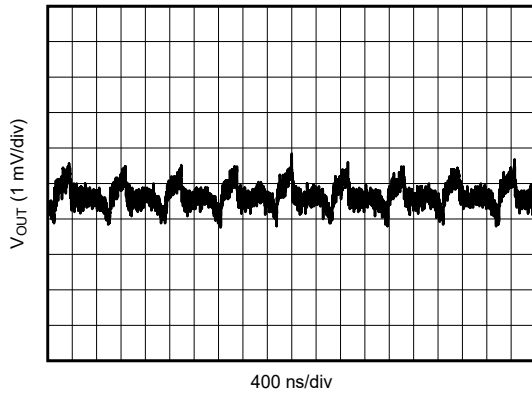
12V to 1.8V, 2A    1μH, 1.4MHz    First and second L-C

Figure 5-7.  $V_{OUT}$  Ripple After the Second L-C Filter



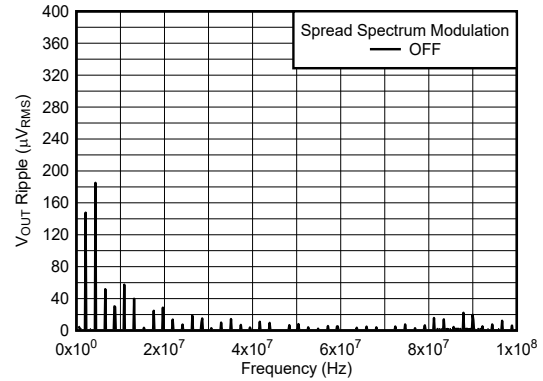
12V to 1.8V, 2A    1μH, 1.4MHz    First and second L-C  
BW = 10kHz

Figure 5-8.  $V_{OUT}$  Ripple FFT After the Second L-C Filter



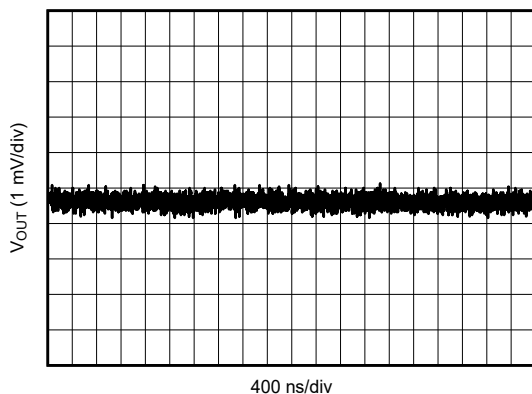
12V to 3.3V, 2A    1μH, 2.2MHz    First L-C Only

Figure 5-9.  $V_{OUT}$  Ripple After the First L-C Filter



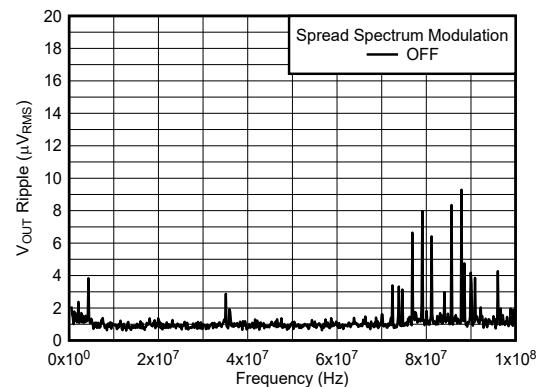
12V to 3.3V, 2A    1μH, 2.2MHz    First L-C Only  
BW = 10kHz

Figure 5-10.  $V_{OUT}$  Ripple FFT After the First L-C Filter



12V to 3.3V, 2A    1μH, 2.2MHz    First and second L-C

Figure 5-11.  $V_{OUT}$  Ripple After the Second L-C Filter



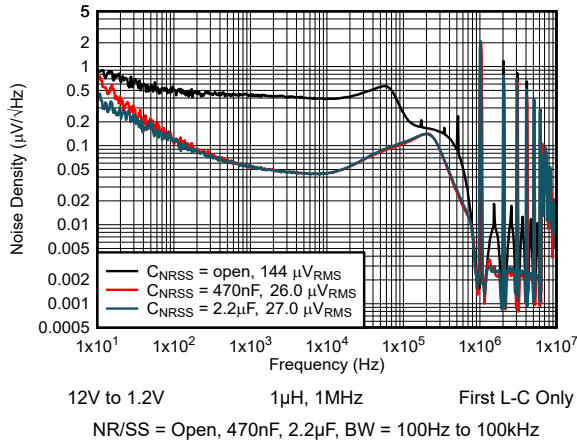
12V to 3.3V, 2A    1μH, 2.2MHz    First and second L-C  
BW = 10kHz

Figure 5-12.  $V_{OUT}$  Ripple FFT After the Second L-C Filter

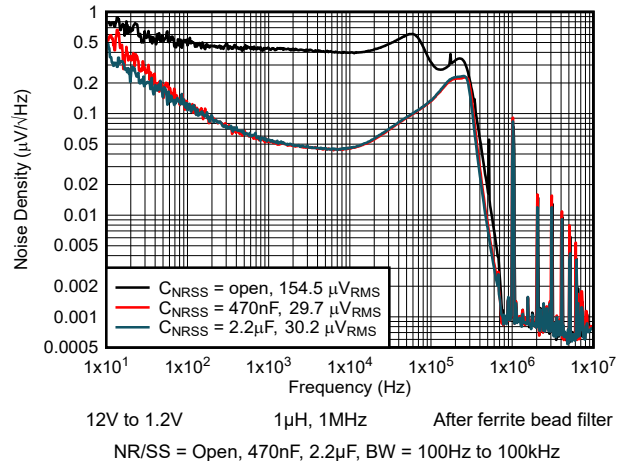
## 5.6 Typical Characteristics (continued)

$V_{IN} = 12V$ ,  $V_{OUT} = 1.2V$ ,  $T_A = 25^\circ C$ , BOM = [Table 7-1](#), (unless otherwise noted)

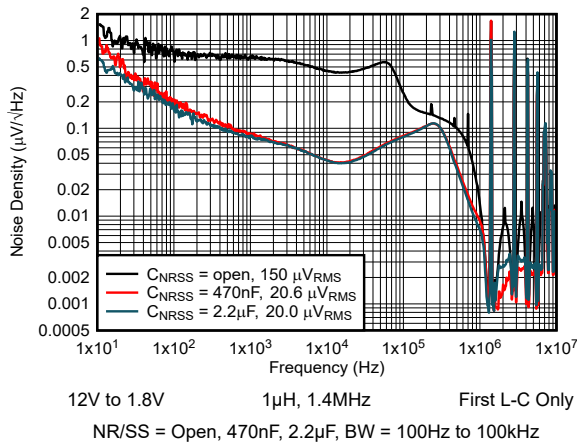
ADVANCE INFORMATION



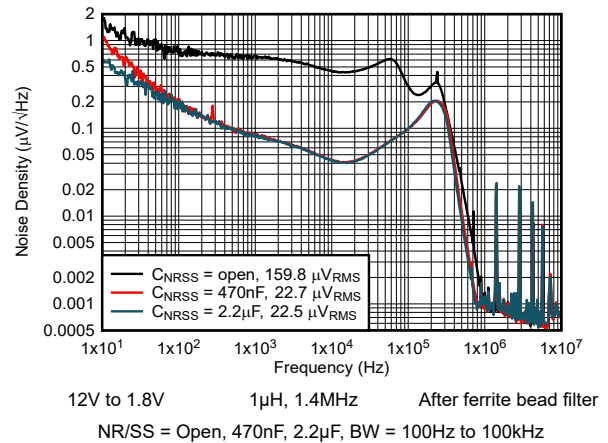
**Figure 5-13. Output Noise Density vs Frequency**



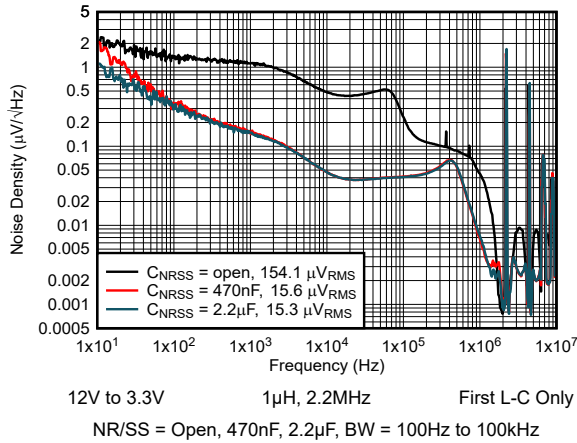
**Figure 5-14. Output Noise Density vs Frequency**



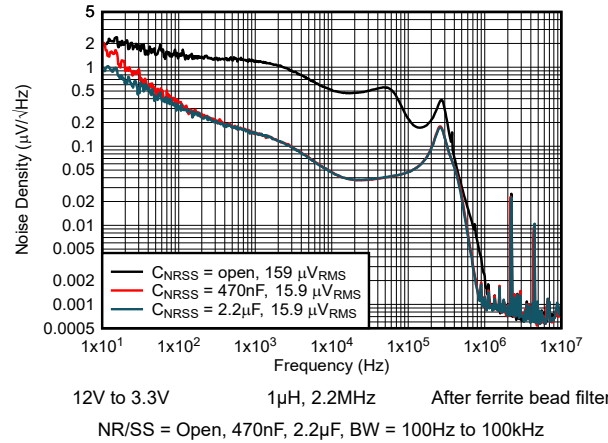
**Figure 5-15. Output Noise Density vs Frequency**



**Figure 5-16. Output Noise Density vs Frequency**



**Figure 5-17. Output Noise Density vs Frequency**



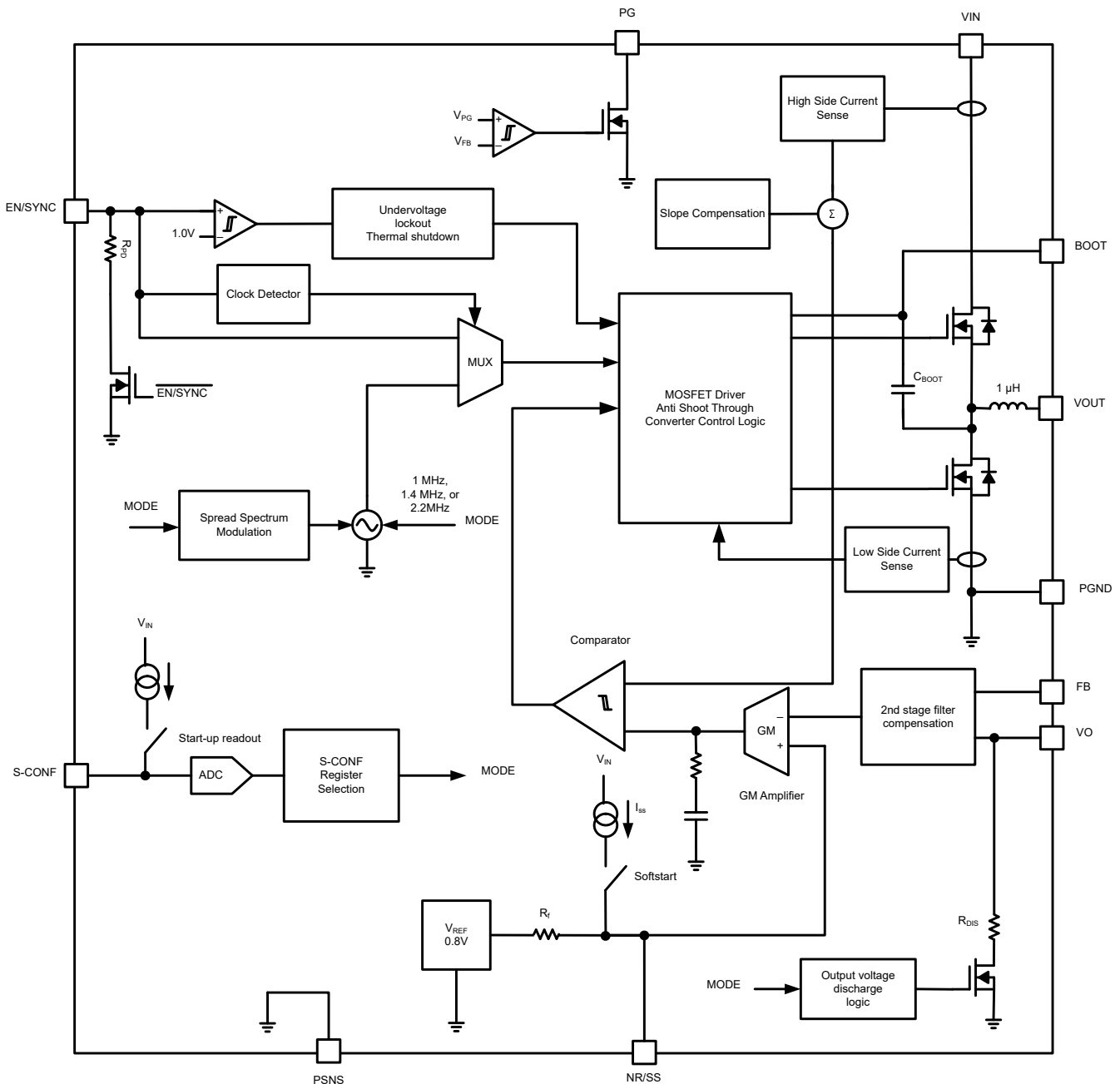
**Figure 5-18. Output Noise Density vs Frequency**

## 6 Detailed Description

### 6.1 Overview

The TPSM8291x low-noise, low-ripple, synchronous buck module is a fixed frequency current mode module. The module has a filtered internal reference to achieve a low-noise output similar to low noise LDOs. The module achieves lower output voltage ripple by using a switching frequency of either 2.2MHz, 1.4MHz, or 1MHz and a larger inductance. The output voltage ripple can be further reduced by adding a small second stage L-C filter to the output. This can be a ferrite bead or a small inductor, followed by an output capacitor. Internal compensation maintains stability with an external filter inductor up to 50nH. To avoid voltage drops across this second stage filter, the device regulates the output voltage after the filter. The TPSM8291x family supports an optional spread spectrum modulation. When powering ADCs, for example, spread spectrum modulation reduces the mixing spurs. Switching frequency, spread spectrum modulation, and output discharge are set using the S-CONF pin.

### 6.2 Functional Block Diagram



**ADVANCE INFORMATION**

## 6.3 Feature Description

### 6.3.1 Smart Config (S-CONF)

This S-CONF pin configures the device based on the resistor value. This pin is read after EN/SYNC goes high. The device configuration cannot be changed during operation. The S-CONF value is re-read if EN is pulled below 200mV or if VIN falls below UVLO. [Table 6-1](#) shows the configuration options of switching frequency, spread spectrum modulation, output discharge, and synchronization.

To make sure the internal circuit detects the resistor value correctly, minimize the distance between the resistor and the S-CONF pin and do not place any capacitors on the S-CONF pin.

**Table 6-1. S-CONF Device Configuration Modes**

| S-CONF  | SWITCHING FREQUENCY | SPREAD SPECTRUM | OUTPUT DISCHARGE | SYNC              |
|---------|---------------------|-----------------|------------------|-------------------|
| VIN     | 2.2MHz              | OFF             | OFF              | No                |
| GND     | 1MHz                | OFF             | OFF              | No                |
| 4.87kΩ  | 1.4MHz              | OFF             | OFF              | No                |
| 6.04kΩ  | 1.4MHz              | OFF             | OFF              | 1.2MHz to 1.6MHz  |
| 7.5kΩ   | 2.2MHz              | OFF             | OFF              | 1.9MHz to 2.42MHz |
| 9.31 kΩ | 1MHz                | OFF             | OFF              | 0.9MHz to 1.2MHz  |
| 11.5kΩ  | 1MHz                | Random          | OFF              | No                |
| 14.3kΩ  | 1.4MHz              | Random          | OFF              | No                |
| 18.2kΩ  | 2.2MHz              | Random          | OFF              | No                |
| 22.1kΩ  | 1MHz                | OFF             | ON               | No                |
| 27.4kΩ  | 1.4MHz              | OFF             | ON               | No                |
| 34kΩ    | 2.2MHz              | OFF             | ON               | No                |
| 42.2kΩ  | 1MHz                | OFF             | ON               | 0.9MHz to 1.2MHz  |
| 52.3kΩ  | 1.4MHz              | OFF             | ON               | 1.2MHz to 1.6MHz  |
| 64.9kΩ  | 2.2MHz              | OFF             | ON               | 1.9MHz to 2.42MHz |
| 80.6kΩ  | 1MHz                | Random          | ON               | No                |
| 100kΩ   | 1.4MHz              | Random          | ON               | No                |
| 124kΩ   | 2.2MHz              | Random          | ON               | No                |

### 6.3.2 Device Enable (EN/SYNC)

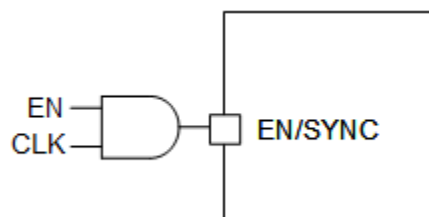
The device is enabled by pulling the EN/SYNC pin high, and has an accurate rising threshold voltage of typically 1.01V. After the device is enabled, the operation mode is set by the configuration of the S-CONF pin. This action occurs during the device start-up delay time  $t_{\text{delay}}$ . After  $t_{\text{delay}}$  expires, the internal soft-start circuitry ramps up the output voltage over the soft-start time set by the  $C_{\text{NR/SS}}$  capacitor. The start-up delay time  $t_{\text{delay}}$  varies depending on the selected S-CONF value. The start-up delay time is shortest with smaller S-CONF resistors.

The EN/SYNC pin has an active pulldown resistor  $R_{\text{PD}}$ . This resistor prevents an uncontrolled start-up of the device, in case the EN/SYNC pin cannot be driven to a low level. The pulldown resistor is disconnected after start-up. With EN set to a low level, the device enters shutdown and the pulldown resistor is activated again.

### 6.3.3 Device Synchronization (EN/SYNC)

The EN/SYNC pin is also used for device synchronization. After a clock signal is applied to this pin, the device is enabled and reads the configuration of the S-CONF pin. The external clock frequency must be within the clock synchronization frequency range set by the S-CONF pin. When the clock signal changes from a clock to a static high, then the device switches from external clock to internal clock. To shutdown the device when using an external clock, EN/SYNC must go low for at least 10 $\mu$ s.

The clock signal can be a logic signal with a logic level as specified in the electrical table, and can be applied directly to the EN/SYNC pin. External logic, such as an AND gate, can be used to combine separate enable and clock inputs, as shown in [Figure 6-1](#).

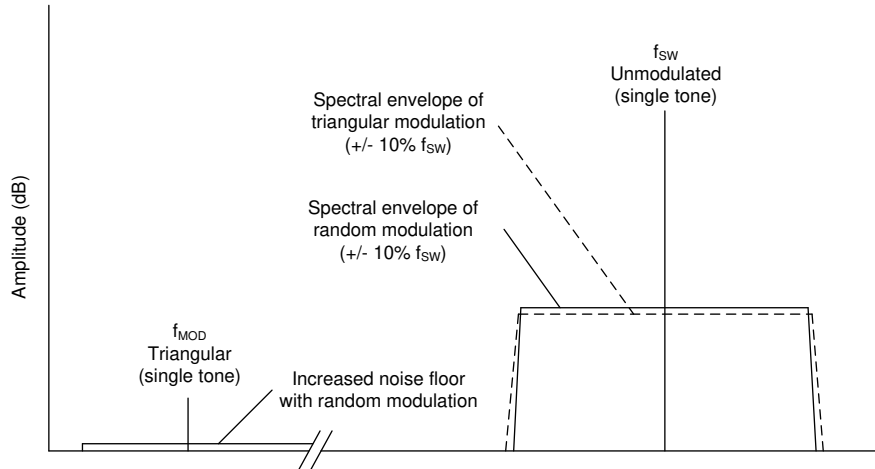


**Figure 6-1. Synchronization With Separate Enable Signal (Optional)**

### 6.3.4 Spread Spectrum Modulation

Using the S-CONF pin enables or disables spread spectrum modulation. The DC/DC module generates an output voltage ripple at the switching frequency. When powering ADCs or an analog front-end (AFE), the switching frequency generates high frequency mixing spurs as well as a low frequency spur in the output frequency spectrum. Using the optional second stage L-C filter reduces the ripple of the module and spurs by up to 30dB.

The device has an integrated random spread spectrum modulation (SSM) scheme, selected by the resistor connected to the S-CONF pin according to [Table 6-1](#). Selecting random modulation to spread the switching frequency over a larger frequency range is possible. The modulation spread is  $\pm 10\%$  of the device switching frequency. This SSM provides high attenuation when the receiver bandwidth is  $\leq$  the modulation frequency, typically the case for systems using Fast Fourier Transforms (FFT) post processing as in high speed ADC applications. For applications sensitive to noise at the modulation frequency, random SSM is used. Using a random spread spectrum modulation also reduces the spurs in the output spectrum as shown in [Figure 5-2](#). The randomized modulation uses a Fibonacci Linear-Feedback Shift Register (LFSR) so that every tone is generated once during the pseudo-random generation period. The frequency spreading is shown in [Figure 6-2](#).



**Figure 6-2. Spread Spectrum Modulation**

### 6.3.5 Output Discharge

Output discharge is enabled or disabled, depending on the S-CONF setting. With output discharge enabled, the output voltage is pulled low by a discharge resistor  $R_{DIS}$  of typically  $7\Omega$ . The output discharge function is enabled during thermal shutdown, UVLO, or when EN/SYNC is pulled low.

### 6.3.6 Undervoltage Lockout (UVLO)

To avoid misoperation of the device at low input voltages, the device is enabled after the input voltage is above the undervoltage lockout threshold. The device is disabled after the input voltage falls below the undervoltage threshold.

### 6.3.7 Power-Good Output

The device has a power-good output. The PG pin goes high impedance after the FB pin voltage is above 95% of the nominal voltage, and is driven low after the voltage falls below typically 90% of the nominal voltage. Table 6-2 shows the typical PG pin logic. The PG pin is an open-drain output and is specified to sink up to 10mA. The power-good output requires a pullup resistor connecting to any voltage rail less than 18V. The PG signal can be used for sequencing of multiple rails by connecting to the EN pin of other modules. If not used, the PG pin can be left floating or connected to GND. PG has a deglitch time of typically  $8\mu s$  before going low.

**Table 6-2. Power-Good Pin Logic**

| DEVICE STATE             |                                  | PG LOGIC STATUS |     |
|--------------------------|----------------------------------|-----------------|-----|
|                          |                                  | HIGH IMPEDANCE  | LOW |
| Enabled (EN/SYNC = High) | $V_{FB} \geq V_{PG}$             | √               |     |
|                          | $V_{FB} < V_{PG}$ after $t_{PG}$ |                 | √   |
| Shutdown (EN/SYNC = Low) |                                  |                 | √   |
| UVLO                     | $0.7V < V_{IN} < V_{UVLO}$       |                 | √   |
| Thermal shutdown         | $T_J > T_{JSD}$                  |                 | √   |
| Power supply removal     | $V_{IN} < 0.7V$                  | √               |     |

### 6.3.8 Noise Reduction and Soft-Start Capacitor (NR/SS)

A capacitor connected to this pin reduces the low frequency noise of the module and sets the soft-start time. The larger the capacitor, the lower the noise and the longer the start-up time of the module. A 470nF capacitor is typically connected to this pin for a start-up time of 5ms, although longer and shorter start-up times can be used. During soft start with a light load, the device skips switching pulses as needed to not discharge the output voltage. The device can start into a prebiased output voltage.

The device achieves low noise by adding an R-C filter to the reference voltage, as shown in [Section 6.2](#). During start-up, the NR/SS capacitor is charged with a constant current of 75µA (typical) to 0.8V. Larger NR/SS capacitors provide for lower low frequency noise. The maximum NR/SS cap is 3.3µF for a start-up time of 35ms. The minimum start-up time is set internally to 0.7ms, which occurs when there is a small NR/SS capacitor or no NR/SS capacitor.

### 6.3.9 Current Limit and Short-Circuit Protection

The device is protected against short circuits and overcurrent. The switch current limit prevents the device from high inductor current and from drawing excessive current from the input voltage rail. Excessive current can occur with a shorted, saturated inductor or a heavy load, shorted output circuit condition. If the inductor current reaches the threshold  $I_{SWpeak}$ , the high-side MOSFET is turned off and the low-side MOSFET is turned on to ramp down the inductor current. The high-side MOSFET is turned on again only when the low-side current is below the low-side sourcing current limit  $I_{SWvalley}$ .

Due to internal propagation delay, the actual current can exceed the static current limit, especially if the input voltage is high and very small inductances are used. The dynamic current limit is calculated as follows in [Equation 1](#):

$$I_{PEAK}(typ) = I_{SWpeak} + \left(\frac{V_L}{L}\right) \times t_{PD} \quad (1)$$

where

- $I_{SWpeak}$  is the static current limit, specified in [Electrical Characteristics](#).
- L is the inductance, 1 µH internal.
- $V_L$  is the voltage across the inductor ( $V_{IN} - V_{OUT}$ ).
- $t_{PD}$  is the internal propagation delay, typically 50ns.

The low-side MOSFET also contains a negative current limit to prevent excessive current from flowing back through the inductor to the input. If the low-side sinking current limit is exceeded, the low-side MOSFET is turned off. In this scenario, both MOSFETs are off until the start of the next cycle.

### 6.3.10 Thermal Shutdown

The device goes into thermal shutdown after the junction temperature exceeds typically 170°C with a 20°C hysteresis.

## 6.4 Device Functional Modes

### 6.4.1 Fixed Frequency Pulse Width Modulation

To minimize output voltage ripple, the device operates in fixed frequency PWM operation down to no load. The switching frequency of 1MHz, 1.4MHz, or 2.2MHz is selected using the S-CONF pin.

### 6.4.2 Low Duty Cycle Operation

For high input voltages or low output voltages, the 70ns minimum on-time limits the maximum input to output voltage difference and the switching frequency selected. When the minimum on-time is reached, the output voltage rises above the regulation point. Refer to [Table 7-2](#) for detailed design recommendations.

### 6.4.3 High Duty Cycle Operation (100% Duty Cycle)

The device offers a low input-to-output voltage differential by entering 100% duty cycle mode. In this mode, the high-side MOSFET switch is constantly turned on. The minimum input voltage to maintain output voltage regulation, depending on the load current and the output voltage level, is calculated as:

$$V_{IN(min)} = V_{OUT(min)} + I_{OUT} \times (R_{DS(ON)} + R_L) \quad (2)$$

where

- $V_{OUT(min)}$  is the minimum output voltage the load can accept.

- $I_{OUT}$  is the output current.
- $R_{DS(ON)}$  is the  $R_{DS(ON)}$  of the high-side MOSFET.
- $R_L$  is the DC resistance of the inductor used.

To maintain fixed frequency switching, the device requires a minimum off-time of 50ns (typical), 60ns (maximum). If this limit is reached during a switching pulse, the device skips switching pulses to maintain output voltage regulation. If the input voltage decreases further, the device enters 100% mode.

#### 6.4.4 Second Stage L-C Filter Compensation (Optional)

Most low-noise and low-ripple applications use a ferrite bead and bypass capacitor before the load. Using a second L-C filter is especially useful for low-noise and low-ripple applications with constant load current such as ADCs, DACs, and Jitter Cleaner. The second stage L-C filter is optional, and the device can be used without this filter. Without the filter, the device has a low output voltage noise of typically  $16.9\mu V_{RMS}$  with an output voltage ripple of  $280\mu V_{RMS}$  shown in [Figure 5-10](#). The second stage L-C filter attenuates the output voltage ripple by another approximately 30dB shown in [Figure 5-12](#). To improve load regulation, the device can remote sense the output voltage after the second stage L-C filter and is internally compensated for the additional double pole generated by the L-C filter.

To keep the second stage L-C filter as small as possible, the internal compensation is optimized for a 10nH to 50nH inductance. A small ferrite bead or even a PCB trace provides sufficient inductance for output voltage ripple filtering. For details, see [Section 7.2.2.2.3](#).



## 7 Application and Implementation

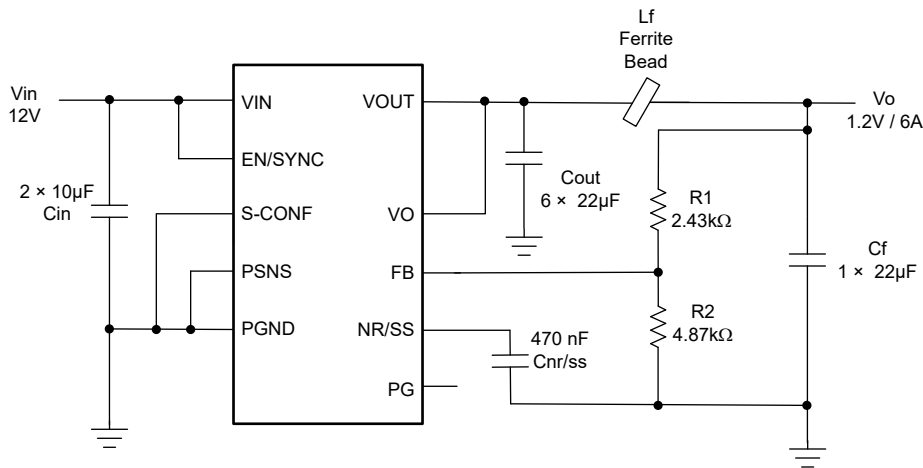
### Note

Information in the following applications sections is not part of the TI component specification, and TI does not warrant its accuracy or completeness. TI's customers are responsible for determining suitability of components for their purposes, as well as validating and testing their design implementation to confirm system functionality.

### 7.1 Application Information

The TPSM8291x family of devices are designed for low noise and low output voltage ripple.

### 7.2 Typical Applications



**Figure 7-1. Typical Schematic**

Table 7-1 shows the list of recommended components for most applications.

**Table 7-1. List of Components**

| REFERENCE                            | PART NUMBER         | DESCRIPTION  | MANUFACTURER      |
|--------------------------------------|---------------------|--|-------------------|
| TPS8291x                             | TPS8291x            | Low noise and low ripple buck module                             | Texas Instruments |
| C <sub>IN</sub>                      | C2012X7S1E106K125AC | Ceramic capacitors: 2 × 10μF ±10% 25V Ceramic Capacitor X7S 0805 | TDK               |
| C <sub>OUT</sub>                     | C2012X7S1A226M125AC | Ceramic capacitors: 6 × 22μF, 10V, ±20%, X7S, 0805               | TDK               |
| L <sub>f</sub>                       | BLE32SN120SN1L      | Ferrite Bead   | MuRata            |
| C <sub>f</sub>                       | C2012X7S1A226M125AC | Ceramic capacitor: 1 × 22μF, 10V, ±20%, X7S, 0805                | TDK               |
| C <sub>NR/SS</sub> , C <sub>FF</sub> |                     | Ceramic capacitor  | Standard          |
| R1, R2, R3, R4                       |                     | Resistor   | Standard          |

### 7.2.1 Design Requirements

The external components have to fulfill the needs of the application, but also meet the stability criteria of the control loop of the device. The device is designed to work within a range of external components, and can be optimized for efficiency, output ripple, component count, or lowest 1/f noise.

Typical applications that have input voltages of  $\leq 6V$  a 2.2MHz switching frequency. Applications that have input voltages  $> 6V$  can be optimized for efficiency using a 1MHz or 1.4MHz switching frequency depending on the output voltage.

For the application cases that are not found in the following table, there are two methods to design the TPSM8291x circuit. [Section 7.2.2.1](#) uses WEBENCH to design the circuit automatically or the calculations in [Section 7.2.2.2](#) can be used instead.

**Table 7-2. Typical Single L-C Filter Design Recommendations**

| DESIGN GOAL | V <sub>IN</sub>    | V <sub>OUT</sub>                    | F <sub>sw</sub> | INDUCTOR  | OUTPUT CAPACITORS <sup>(2)</sup> |
|-------------|--------------------|-------------------------------------|-----------------|-----------|----------------------------------|
| Typical     | 12V <sup>(1)</sup> | $\leq 1.4V$ <sup>(1)</sup>          | 1MHz            | 1 $\mu$ H | 6 × 22 $\mu$ F, 10V, 0805        |
| Typical     | 12V                | 1.4V < V <sub>OUT</sub> $\leq$ 2.2V | 1.4MHz          | 1 $\mu$ H | 6 × 22 $\mu$ F, 10V, 0805        |
| Typical     | 12V                | > 2.2V                              | 2.2MHz          | 1 $\mu$ H | 8 × 22 $\mu$ F, 10V, 0805        |
| Typical     | 5V                 | $\leq 3.3V$                         | 2.2MHz          | 1 $\mu$ H | 6 × 22 $\mu$ F, 10V, 0805        |
| Typical     | 5V                 | > 3.3V                              | 2.2MHz          | 1 $\mu$ H | 8 × 22 $\mu$ F, 10V, 0805        |

- (1) The maximum input to output voltage difference is limited by the device maximum minimum on-time of 70ns. This limit is especially important for input voltages above 12V or output voltages below 1V. See [Section 7.2.2.2.1](#).
- (2) For output capacitor part numbers, see [Table 7-4](#).

The second stage L-C filter is optional, as the device can be used without this filter to achieve below 20 $\mu$ V<sub>RMS</sub> noise typically. A second stage filter is added to provide additional attenuation of the output ripple voltage. The output voltage is sensed after the second L-C filter by connecting the FB resistors to the second stage L-C filter capacitor. This action provides remote sense, minimizing output voltage drop due to the ferrite bead. Refer to the following table for second stage L-C filter recommendations based on the output voltage.

**Table 7-3. Second Stage L-C (Ferrite Bead) Filter Design Recommendations**

| V <sub>OUT</sub> (V) | FERRITE BEAD IMPEDANCE (AT 100MHZ) <sup>(2)</sup> | OUTPUT CAPACITORS <sup>(1)</sup> |
|----------------------|---|----------------------------------|
| $\leq 2.2V$          | 8 to 20 $\Omega$                                  | 1 × 22 $\mu$ F, 10V, 0805        |
| > 2.2V               | 8 to 20 $\Omega$                                  | 2 × 22 $\mu$ F, 10V, 0805        |

- (1) For output capacitor part numbers, see [Table 7-4](#).
- (2) For second stage L-C filter part numbers, see [Table 7-5](#).

### 7.2.2 Detailed Design Procedure

If the specific design is not found in [Table 7-2](#), TI recommends WEBENCH to generate the design. Alternatively, follow the manual design procedure in [Section 7.2.2.2](#).

#### 7.2.2.1 Custom Design With WEBENCH® Tools

[Click here](#) to create a custom design using the TPSM8291x device with the WEBENCH Power Designer.

1. Start by entering the input voltage (V<sub>IN</sub>), output voltage (V<sub>OUT</sub>), and output current (I<sub>OUT</sub>) requirements.
2. Optimize the design for key parameters such as efficiency, footprint, and cost.
3. Open the advanced tab to optimize for output voltage ripple.
4. After in a TPSM8291x design, you can enable the second stage L-C filter and change other settings from the drop-down on the left.

The WEBENCH Power Designer provides a customized schematic along with a list of materials with real-time pricing and component availability.

In most cases, these actions are available:

- Run electrical simulations to see important waveforms and circuit performance

- Export customized schematic and layout into popular CAD formats
- Print PDF reports for the design, and share the design with colleagues

Get more information about WEBENCH tools at [www.ti.com/WEBENCH](http://www.ti.com/WEBENCH).

### 7.2.2.2 External Component Selection

#### 7.2.2.2.1 Switching Frequency Selection

The switching frequency can be chosen to optimize efficiency (lower) or ripple noise (higher). Using the higher 1.4MHz or 2.2MHz setting increases the gain of the feedback loop and can result in lower output noise. However, additional considerations for minimum on-time and duty cycle must also be considered. First, calculate the duty cycle using Equation 3. Higher efficiency results in a shorter on-time, so a conservative approach is to use a higher efficiency than expected in the application.

$$D = \frac{V_{OUT}}{V_{IN} \times \eta} \quad (3)$$

where:

- $\eta$  = estimated efficiency (use the value from the efficiency curves or 0.9 as an conservative assumption)

Then, calculate the on-time with 1MHz, 1.4MHz, and 2.2MHz using Equation 4. The on-time must always remain above the minimum on-time of 70ns. Use the maximum input voltage and maximum efficiency to determine the minimum duty cycle,  $D_{min}$ . Use the maximum switching frequency for  $f_{SW}$ .

$$T_{ON} = \frac{D_{min}}{f_{SW\_min}} \quad (4)$$

then

- If  $t_{ON\_min}$  minimum < 70ns with 2.2MHz, use 1.4MHz.
- If  $t_{ON\_min}$  minimum < 70ns with 1.4MHz, use 1MHz
- If  $t_{ON\_min}$  minimum < 70ns with 1MHz, reduce the maximum input voltage.
- If  $t_{ON\_min}$  minimum  $\geq$  70ns, use a lower frequency for highest efficiency, or the highest frequency for the lowest noise and ripple.

#### 7.2.2.2.2 Output Capacitor Selection

The effective output capacitance can range from 80 $\mu$ F (minimum) up to 400 $\mu$ F (maximum) for a single L-C system design. When using a second L-C filter, the first L-C filter must have output capacitance between 80 $\mu$ F and 160 $\mu$ F, the second stage L-C filter (if used) must have at least 20 $\mu$ F of capacitance, and the total capacitance for both L-C filters must be less than 400 $\mu$ F. Load transient testing and measuring the bode plot are good ways to verify stability.

#### Note

For designs requiring cold temperature (< -10°C) operation, TI recommends to use a minimum effective output capacitance of 120 $\mu$ F for a single L-C system design or within the first L-C filter when using a second L-C filter design.

TI recommends ceramic capacitors (X5R or X7R). Ceramic capacitors have a DC-Bias effect, which has a strong influence on the final effective capacitance. Choose the right capacitor carefully in combination with considering the package size and voltage rating. The ESR and ESL of the output capacitor are also important considerations in selecting the output capacitors for low noise applications. Smaller package sizes typically have lower ESL and ESR. TI recommends 0805 or smaller packages, as long as the packages provide the required capacitance and voltage rating for stable operation. Table 7-4 lists recommended output capacitors.

**Table 7-4. Recommended Output Capacitors**

| CAPACITOR TYPE | CAPACITOR VALUE | MANUFACTURER            | VOLTAGE (V) | PACKAGE |
|----------------|-----------------|-------------------------|-------------|---------|
| Bulk Capacitor | 22 $\mu$ F, X7S | TDK C2012X7S1A226M125AC | 10          | 0805    |

**Table 7-4. Recommended Output Capacitors (continued)**

| CAPACITOR TYPE | CAPACITOR VALUE | MANUFACTURER              | VOLTAGE (V) | PACKAGE |
|----------------|-----------------|---------------------------|-------------|---------|
| Bulk Capacitor | 47µF, X7R       | Murata GRM32ER71A476ME15L | 10          | 1210    |

### 7.2.2.2.3 Ferrite Bead Selection for Second L-C Filter

Using a ferrite bead for the second stage L-C filter minimizes the external component count because most of the noise sensitive circuits use a RF bead for high frequency attenuation as a default component at the inputs.

Make sure to select a ferrite bead with sufficiently high inductance at full load, and with low DC resistance (below 10mΩ) to keep the module efficiency as high as possible. The ferrite bead inductance decreases with increased load current. Therefore, the ferrite bead must have a current rating much higher than the desired load current.

The recommendation is to choose a ferrite bead with an impedance of 8Ω to 20Ω at 100MHz. Ferrite beads can be used in parallel if higher current is needed, however this can halve the inductance and filtering. Refer to [Table 7-5](#) for possible ferrite beads.

**Table 7-5. Recommended Ferrite Beads**

| PART NUMBER    | MANUFACTURER     | SIZE | IMPEDANCE AT 100MHZ | INDUCTANCE AT 100MHZ (CALCULATED) | DC RESISTANCE | CURRENT RATING |
|----------------|------------------|------|---------------------|-----------------------------------|---------------|----------------|
| BLE18PS080SN1  | MuRata           | 0603 | 8.5Ω                | 13.5 nH                           | 4mΩ           | 5A             |
| BLE32SN120SN1L | MuRata           | 1210 | 12Ω                 | 18 nH                             | 0.78mΩ        | 20A            |
| 74279221100    | Würth Elektronik | 1206 | 10Ω                 | 15.9 nH                           | 3mΩ           | 10.5A          |
| 7427922808     | Würth Electronik | 0603 | 8Ω                  | 12.7 nH                           | 5mΩ           | 9.5A           |

The internal compensation has been designed to be stable with up to 50nH of inductance in the second stage filter. To achieve low ripple, the second L-C filter requires only 5nH to 10nH inductance. The inductance can be estimated from the ferrite bead impedance specification at 100MHz, with the assumption that the inductance is similar at the selected module switching frequency of 1MHz, 1.4MHz, or 2.2MHz, and can be verified through tools available on some manufacturer websites. Use [Equation 5](#) to calculate the inductance of a ferrite bead:

$$L = \frac{Z}{2\pi \times f} \quad (5)$$

where

- Z is the impedance of the ferrite bead in ohms at the specified frequency (usually 100MHz).
- f is the specified frequency (usually 100MHz).

### 7.2.2.2.4 Input Capacitor Selection

For the best output and input voltage filtering, TI recommends X5R or X7R ceramic capacitors. The input bulk capacitor minimizes input voltage ripple, suppresses input voltage spikes, and provides a stable system rail for the device. TI recommends a 10µF or larger input capacitor. Having two in parallel further improves the input voltage ripple filtering, minimizing noise coupling into adjacent circuits. The voltage rating of the cap must also be taken into consideration, and must provide the required 5µF minimum effective capacitance after DC bias derating.

In addition to the bulk input cap, a smaller cap must be placed directly from the VIN pin to the PGND pin to minimize input loop parasitic inductance, thereby minimizing the high frequency noise of the device. The input cap placement affects the output noise, so care needs to be taken in placing both the bulk cap and bypass caps as shown in [Section 7.4.2](#). [Table 7-6](#) lists recommended input capacitors.

**Table 7-6. Recommended Input Capacitors**

| INPUT CAP TYPE | CAPACITOR VALUE | MANUFACTURER               | VOLTAGE RATING (V) | PACKAGE SIZE |
|----------------|-----------------|----------------------------|--------------------|--------------|
| Bulk Cap       | 10µF, X7S       | TDK<br>C2012X7S1E106K125AC | 25                 | 0805         |

**Table 7-6. Recommended Input Capacitors (continued)**

| INPUT CAP TYPE | CAPACITOR VALUE | MANUFACTURER                 | VOLTAGE RATING (V) | PACKAGE SIZE |
|----------------|-----------------|------------------------------|--------------------|--------------|
| Bypass Cap     | 2.2nF, X7R      | Murata<br>GRM155R71E222KA01D | 25                 | 0402         |

#### 7.2.2.2.5 Setting the Output Voltage

Choose resistors R1 and R2 to set the output voltage within a range of 0.8V to 5.5V, according to [Equation 6](#). To keep the feedback network robust from noise, and to reduce the self-generated noise of resistors, set R2 equal to or lower than 5kΩ. Lower values of FB resistors achieve better noise immunity, and lower light load efficiency, as explained in the [Design Considerations for a Resistive Feedback Divider in a DC/DC Converter analog design journal](#).

$$R_1 = R_2 \times \left( \frac{V_{OUT}}{V_{FB}} - 1 \right) = R_2 \times \left( \frac{V_{OUT}}{0.8V} - 1 \right) \quad (6)$$

| VOUT (V) | R1     | R2     |
|----------|--------|--------|
| 0.9      | 604Ω   | 4.87kΩ |
| 1.0      | 1.21kΩ | 4.87kΩ |
| 1.2      | 2.43kΩ | 4.87kΩ |
| 1.8      | 6.04kΩ | 4.87kΩ |
| 2.5      | 10.4kΩ | 4.87kΩ |
| 3.3      | 15.2kΩ | 4.87kΩ |
| 5        | 25.5kΩ | 4.87kΩ |

A feedforward capacitor ( $C_{FF}$ ) is not required for proper operation, but can further improve output noise. However, care must be taken in choosing the  $C_{FF}$  because the power-good (PG) function can not be valid with a large  $C_{FF}$  during start-up, and can cause spurious triggering of the PG pin during a large load transient. Refer to the [Pros and Cons Using a Feedforward Capacitor with a Low Dropout Regulator application report](#) for a discussion of the pros and cons of using a feedforward capacitor.

#### 7.2.2.2.6 NR/SS Capacitor Selection

As described in [Section 6.3.8](#), the NR/SS cap affects both the total noise and the soft-start time. The recommended value for a 5ms soft-start time and good noise performance is 470nF. The maximum NR/SS cap is 3.3μF for a start-up time of 35ms. Values greater than 1μF have minimal improvement in noise performance. Use [Equation 7](#) and [Equation 8](#) to calculate the soft-start time based on desired soft-start time or the chosen capacitor value.

$$t_{ss} (s) = \frac{C_{NRSS} \times 0.8V}{I_{NRSS}} \quad (7)$$

$$C_{NRSS} (F) = \frac{I_{NRSS} \times t_{SS}}{0.8V} \quad (8)$$

## 7.3 Power Supply Recommendations

The power supply to the TPSM8291x must have a current rating according to the supply voltage, output voltage, and output current of the TPSM8291x.

## 7.4 Layout

### 7.4.1 Layout Guidelines

A proper layout is critical for the operation of any switched mode power supply, especially at high switching frequencies. Therefore, the PCB layout of the TPSM8291x demands careful attention to make sure of best performance. A poor layout can lead to issues like bad line and load regulation, instability, increased EMI radiation, and noise sensitivity. Refer to the [Five Steps to a Great PCB Layout for a Step-Down Converter analog](#)

[design journal](#) for a detailed discussion of general best practices. Specific recommendations for the device are listed below.

- Place the input capacitor or capacitors as close as possible to the VIN and PGND pins of the device. This placement is the most critical component placement. Route the input capacitors directly to the VIN and PGND pins avoiding vias.
- Place the output capacitor ground close to the PGND pin and route directly avoiding vias. Minimize the length of the connection from the inductor to the output capacitor.
- Connect the VO pin directly to the first output capacitor,  $C_{OUT}$ .
- Connect sensitive traces, such as the connections to the NR/SS, VO, and FB pins with short traces and be routed away from any noise source, such as the SW pin.
- Connect the PSNS pin directly to the system GND plane with a via.
- Place the second L-C filter,  $L_f$  and  $C_f$ , near the load to reduce any radiated coupling around the second L-C filter
- Avoid placing the ferrite bead in the keep out region as shown in [Figure 7-3](#)
- Place the FB resistors, R1 and R2, close to the FB pin and route the VOUT connection from R1 to the load as a remote sense trace. If a second L-C filter is used, this connection must be made after  $L_f$ .
- See the recommended layout implemented on the EVM and shown in the EVM user's guide, [TPS62916EVM Evaluation Module](#), as well as in [Figure 7-3](#).

#### 7.4.2 Layout Example

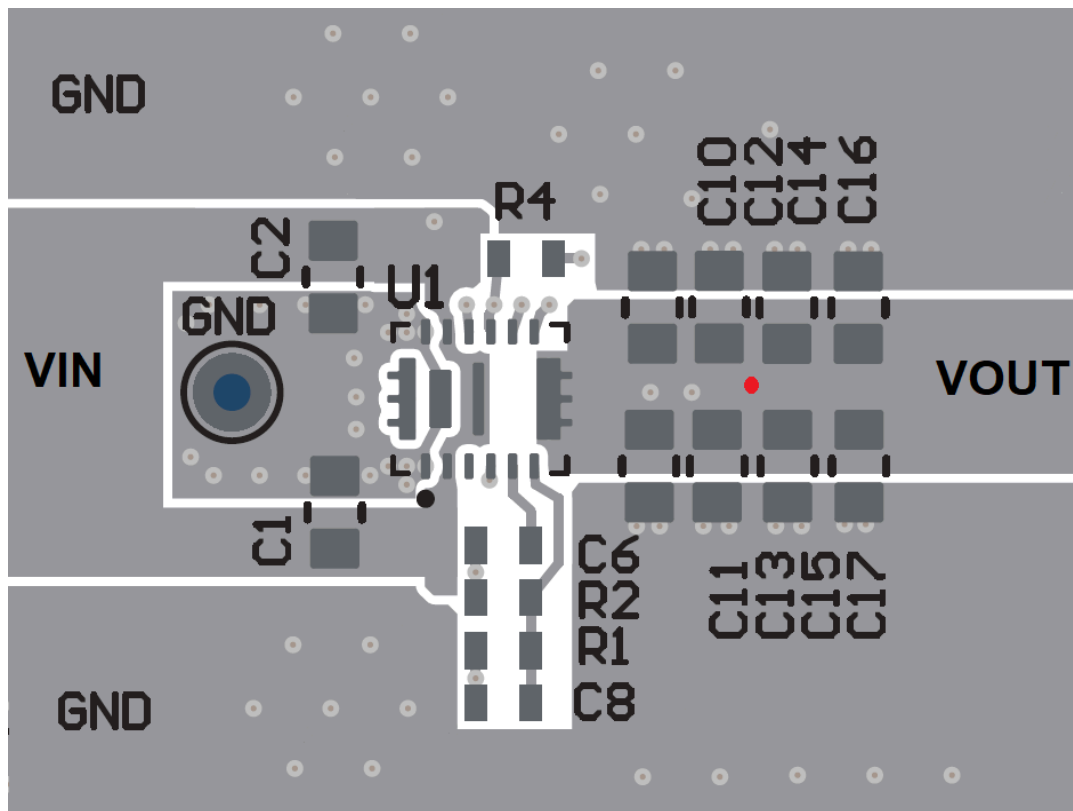


Figure 7-2. Recommended Layout for Single L-C Filter

#### Note

The red dot indicates where the feedback sense must be placed for the best DC regulation. For a single L-C configuration, the feedback sense is placed near the VOUT capacitors. For a second L-C filter design, the feedback sense is placed near the load after the VOUT\_FILT capacitors.





## 8 Device and Documentation Support

### 8.1 Device Support

#### 8.1.1 Third-Party Products Disclaimer

TI'S PUBLICATION OF INFORMATION REGARDING THIRD-PARTY PRODUCTS OR SERVICES DOES NOT CONSTITUTE AN ENDORSEMENT REGARDING THE SUITABILITY OF SUCH PRODUCTS OR SERVICES OR A WARRANTY, REPRESENTATION OR ENDORSEMENT OF SUCH PRODUCTS OR SERVICES, EITHER ALONE OR IN COMBINATION WITH ANY TI PRODUCT OR SERVICE.

#### 8.1.2 Development Support

##### 8.1.2.1 Custom Design With WEBENCH® Tools

[Click here](#) to create a custom design using the TPSM8291x device with the WEBENCH Power Designer.

1. Start by entering the input voltage ( $V_{IN}$ ), output voltage ( $V_{OUT}$ ), and output current ( $I_{OUT}$ ) requirements.
2. Optimize the design for key parameters such as efficiency, footprint, and cost.
3. Open the advanced tab to optimize for output voltage ripple.
4. After in a TPSM8291x design, you can enable the second stage L-C filter and change other settings from the drop-down on the left.

The WEBENCH Power Designer provides a customized schematic along with a list of materials with real-time pricing and component availability.

In most cases, these actions are available:

- Run electrical simulations to see important waveforms and circuit performance
- Export customized schematic and layout into popular CAD formats
- Print PDF reports for the design, and share the design with colleagues

Get more information about WEBENCH tools at [www.ti.com/WEBENCH](http://www.ti.com/WEBENCH).

### 8.2 Documentation Support

#### 8.2.1 Related Documentation

For related documentation, see the following:

- Texas Instruments, [Pros and Cons Using a Feedforward Capacitor with a Low Dropout Regulator application report](#)
- Texas Instruments, [TPS62916EVM Evaluation Module EVM user's guide](#)
- Texas Instruments, [Five Steps to a Great PCB Layout for a Step-Down Converter analog design journal](#)
- Texas Instruments, [Design Considerations for a Resistive Feedback Divider in a DC/DC Converter analog design journal](#)

### 8.3 Receiving Notification of Documentation Updates

To receive notification of documentation updates, navigate to the device product folder on [ti.com](http://ti.com). Click on *Notifications* to register and receive a weekly digest of any product information that has changed. For change details, review the revision history included in any revised document.

### 8.4 Support Resources

[TI E2E™ support forums](#) are an engineer's go-to source for fast, verified answers and design help — straight from the experts. Search existing answers or ask your own question to get the quick design help you need.

Linked content is provided "AS IS" by the respective contributors. They do not constitute TI specifications and do not necessarily reflect TI's views; see TI's [Terms of Use](#).

### 8.5 Trademarks

TI E2E™ is a trademark of Texas Instruments.

WEBENCH® is a registered trademark of Texas Instruments.

All trademarks are the property of their respective owners.



## 8.6 Electrostatic Discharge Caution



This integrated circuit can be damaged by ESD. Texas Instruments recommends that all integrated circuits be handled with appropriate precautions. Failure to observe proper handling and installation procedures can cause damage.

ESD damage can range from subtle performance degradation to complete device failure. Precision integrated circuits may be more susceptible to damage because very small parametric changes could cause the device not to meet its published specifications.

## 8.7 Glossary

[TI Glossary](#) This glossary lists and explains terms, acronyms, and definitions.

## 9 Revision History

NOTE: Page numbers for previous revisions may differ from page numbers in the current version.

| DATE         | REVISION | NOTES           |
|--------------|----------|-----------------|
| October 2024 | *        | Initial Release |

## 10 Mechanical, Packaging, and Orderable Information

The following pages include mechanical, packaging, and orderable information. This information is the most current data available for the designated devices. This data is subject to change without notice and revision of this document. For browser-based versions of this data sheet, refer to the left-hand navigation.

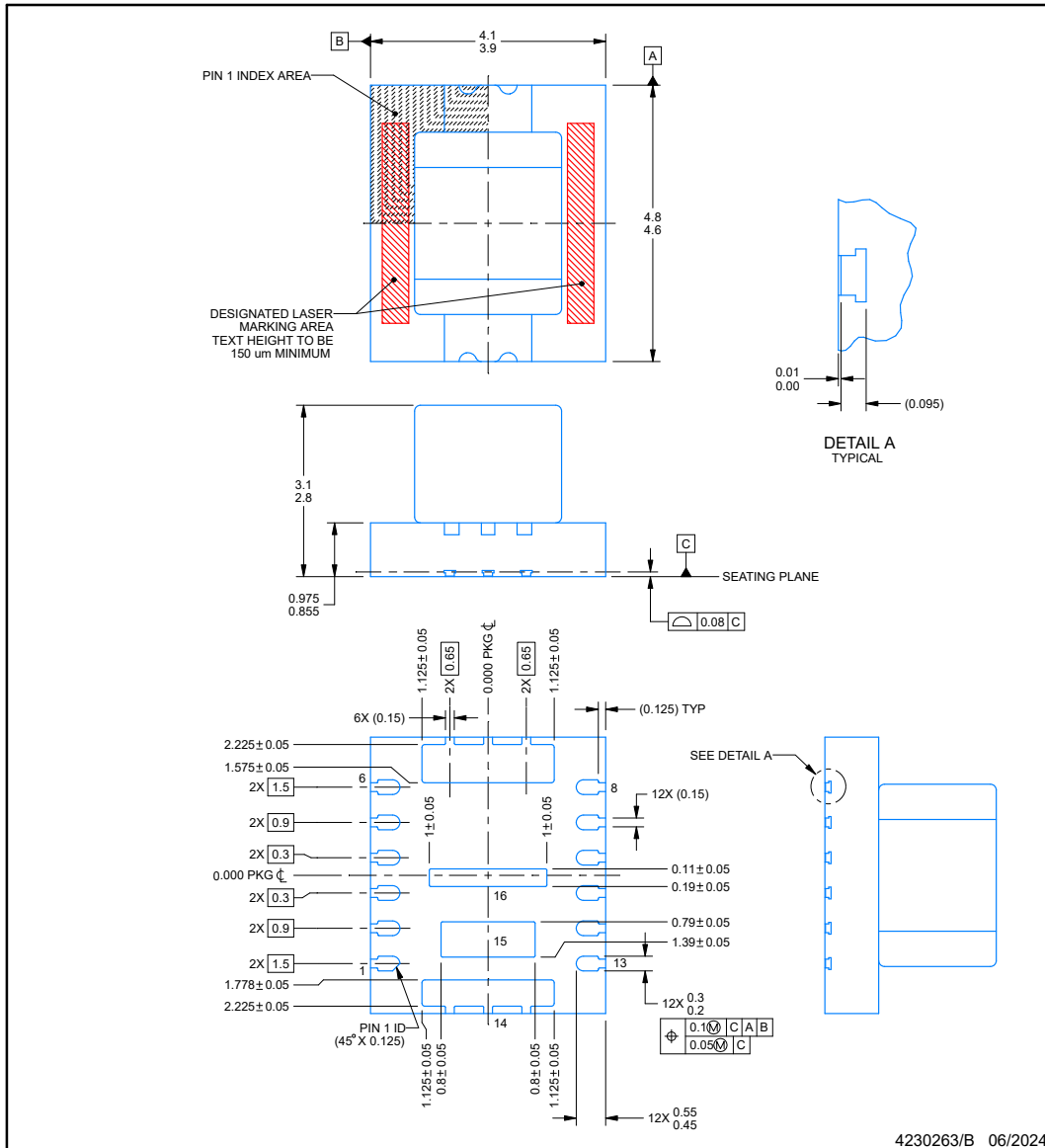


VCE0016A

PACKAGE OUTLINE

QFN-FCMOD - 3.1 mm max height

PLASTIC SMALL OUTLINE - NO LEAD



NOTES:

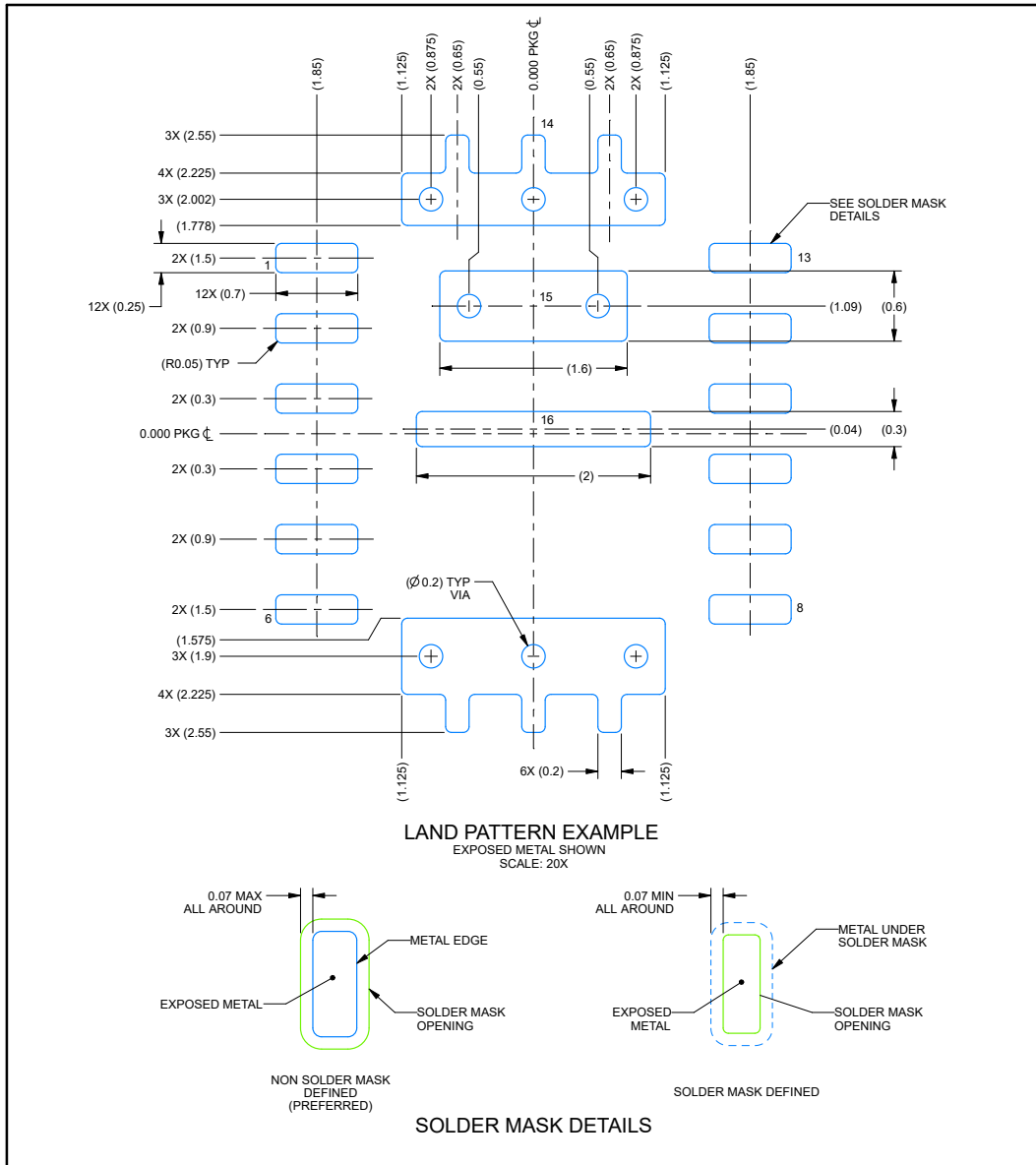
1. All linear dimensions are in millimeters. Any dimensions in parenthesis are for reference only. Dimensioning and tolerancing per ASME Y14.5M.
2. This drawing is subject to change without notice.
3. The package thermal pad must be soldered to the printed circuit board for thermal and mechanical performance.

## EXAMPLE BOARD LAYOUT

VCE0016A

QFN-FCMOD - 3.1 mm max height

PLASTIC SMALL OUTLINE - NO LEAD



NOTES: (continued)

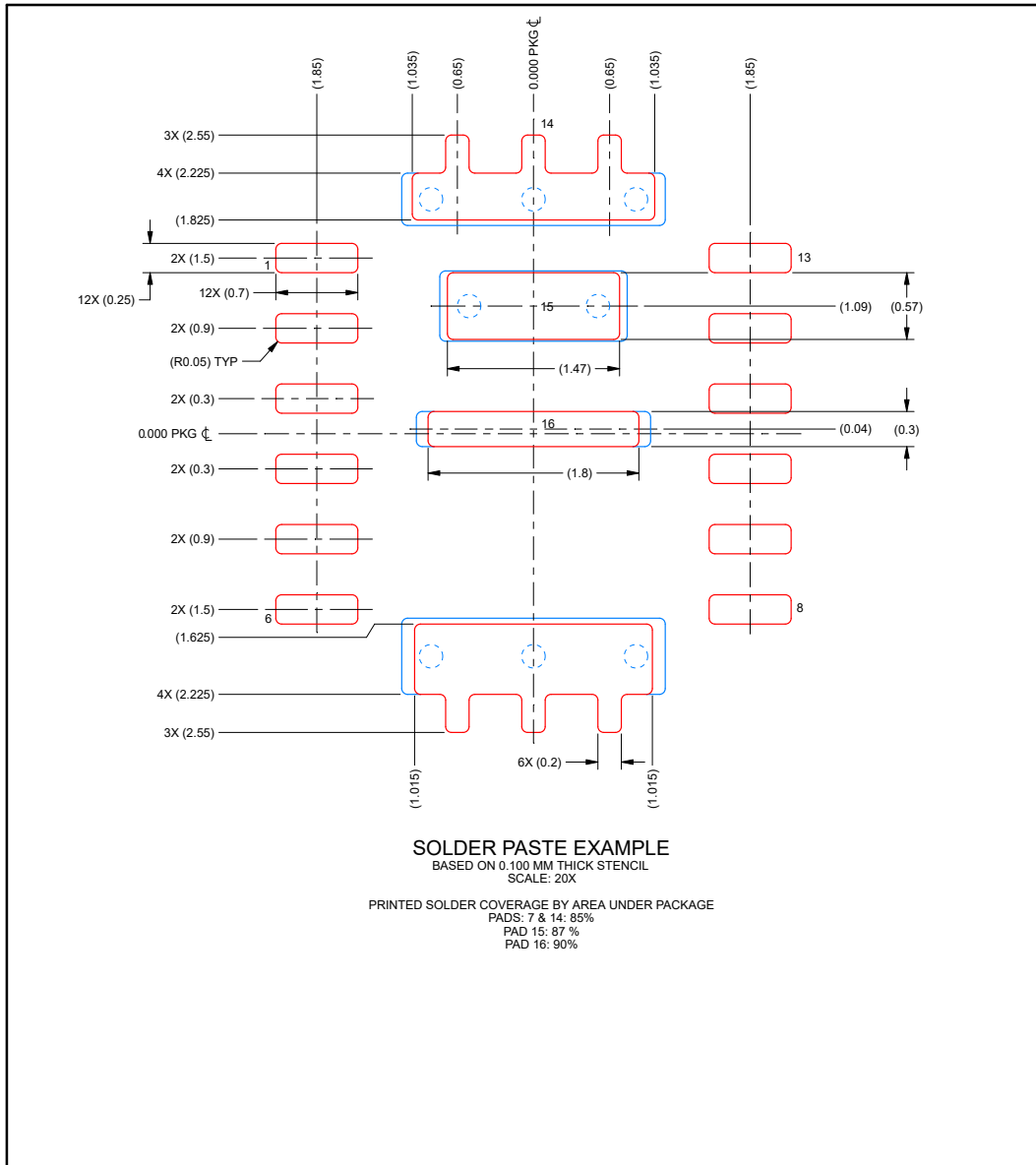
- This package is designed to be soldered to a thermal pad on the board. For more information, see Texas Instruments literature number SLUA271 ([www.ti.com/lit/slua271](http://www.ti.com/lit/slua271)).
- Vias are optional depending on application, refer to device data sheet. If any vias are implemented, refer to their locations shown on this view. It is recommended that vias under paste be filled, plugged or tented.

### EXAMPLE STENCIL DESIGN

VCE0016A

QFN-FCMOD - 3.1 mm max height

PLASTIC SMALL OUTLINE - NO LEAD



NOTES: (continued)

6. Laser cutting apertures with trapezoidal walls and rounded corners may offer better paste release. IPC-7525 may have alternate design recommendations.

**PACKAGING INFORMATION**

| Orderable Device | Status<br>(1) | Package Type | Package Drawing | Pins | Package Qty | Eco Plan<br>(2) | Lead finish/<br>Ball material<br>(6) | MSL Peak Temp<br>(3) | Op Temp (°C) | Device Marking<br>(4/5) | Samples |
|------------------|---------------|--------------|-----------------|------|-------------|-----------------|--------------------------------------|----------------------|--------------|-------------------------|---------|
| PPSM82916VCER    | ACTIVE        | QFN-FCMOD    | VCE             | 16   | 3000        | TBD             | Call TI                              | Call TI              | -40 to 125   |                         | Samples |

(1) The marketing status values are defined as follows:

**ACTIVE:** Product device recommended for new designs.

**LIFEBUY:** TI has announced that the device will be discontinued, and a lifetime-buy period is in effect.

**NRND:** Not recommended for new designs. Device is in production to support existing customers, but TI does not recommend using this part in a new design.

**PREVIEW:** Device has been announced but is not in production. Samples may or may not be available.

**OBSELETE:** TI has discontinued the production of the device.

(2) **RoHS:** TI defines "RoHS" to mean semiconductor products that are compliant with the current EU RoHS requirements for all 10 RoHS substances, including the requirement that RoHS substance do not exceed 0.1% by weight in homogeneous materials. Where designed to be soldered at high temperatures, "RoHS" products are suitable for use in specified lead-free processes. TI may reference these types of products as "Pb-Free".

**RoHS Exempt:** TI defines "RoHS Exempt" to mean products that contain lead but are compliant with EU RoHS pursuant to a specific EU RoHS exemption.

**Green:** TI defines "Green" to mean the content of Chlorine (Cl) and Bromine (Br) based flame retardants meet JS709B low halogen requirements of <=1000ppm threshold. Antimony trioxide based flame retardants must also meet the <=1000ppm threshold requirement.

(3) MSL, Peak Temp. - The Moisture Sensitivity Level rating according to the JEDEC industry standard classifications, and peak solder temperature.

(4) There may be additional marking, which relates to the logo, the lot trace code information, or the environmental category on the device.

(5) Multiple Device Markings will be inside parentheses. Only one Device Marking contained in parentheses and separated by a "-" will appear on a device. If a line is indented then it is a continuation of the previous line and the two combined represent the entire Device Marking for that device.

(6) Lead finish/Ball material - Orderable Devices may have multiple material finish options. Finish options are separated by a vertical ruled line. Lead finish/Ball material values may wrap to two lines if the finish value exceeds the maximum column width.

**Important Information and Disclaimer:**The information provided on this page represents TI's knowledge and belief as of the date that it is provided. TI bases its knowledge and belief on information provided by third parties, and makes no representation or warranty as to the accuracy of such information. Efforts are underway to better integrate information from third parties. TI has taken and continues to take reasonable steps to provide representative and accurate information but may not have conducted destructive testing or chemical analysis on incoming materials and chemicals. TI and TI suppliers consider certain information to be proprietary, and thus CAS numbers and other limited information may not be available for release.

In no event shall TI's liability arising out of such information exceed the total purchase price of the TI part(s) at issue in this document sold by TI to Customer on an annual basis.

## IMPORTANT NOTICE AND DISCLAIMER

TI PROVIDES TECHNICAL AND RELIABILITY DATA (INCLUDING DATA SHEETS), DESIGN RESOURCES (INCLUDING REFERENCE DESIGNS), APPLICATION OR OTHER DESIGN ADVICE, WEB TOOLS, SAFETY INFORMATION, AND OTHER RESOURCES "AS IS" AND WITH ALL FAULTS, AND DISCLAIMS ALL WARRANTIES, EXPRESS AND IMPLIED, INCLUDING WITHOUT LIMITATION ANY IMPLIED WARRANTIES OF MERCHANTABILITY, FITNESS FOR A PARTICULAR PURPOSE OR NON-INFRINGEMENT OF THIRD PARTY INTELLECTUAL PROPERTY RIGHTS.

These resources are intended for skilled developers designing with TI products. You are solely responsible for (1) selecting the appropriate TI products for your application, (2) designing, validating and testing your application, and (3) ensuring your application meets applicable standards, and any other safety, security, regulatory or other requirements.

These resources are subject to change without notice. TI grants you permission to use these resources only for development of an application that uses the TI products described in the resource. Other reproduction and display of these resources is prohibited. No license is granted to any other TI intellectual property right or to any third party intellectual property right. TI disclaims responsibility for, and you will fully indemnify TI and its representatives against, any claims, damages, costs, losses, and liabilities arising out of your use of these resources.

TI's products are provided subject to [TI's Terms of Sale](#) or other applicable terms available either on [ti.com](https://www.ti.com) or provided in conjunction with such TI products. TI's provision of these resources does not expand or otherwise alter TI's applicable warranties or warranty disclaimers for TI products.

TI objects to and rejects any additional or different terms you may have proposed.

Mailing Address: Texas Instruments, Post Office Box 655303, Dallas, Texas 75265  
Copyright © 2024, Texas Instruments Incorporated