

TS3USB30E ESD-Protected, High-Speed USB 2.0 (480Mbps) 1:2 Multiplexer/Demultiplexer Switch With Single Enable

1 Features

- V_{CC} operation at 2.7V to 4.3V
- D+/D– pins tolerate up to 5.25V
- 1.8V compatible control-pin inputs
- I_{OFF} supports partial power-down-mode operation
- $R_{ON} = 10\Omega$ maximum
- $\Delta R_{ON} = 0.35\Omega$ typical
- $C_{io(ON)} = 7.5pF$ typical
- Low power consumption (70nA maximum)
- –3dB bandwidth = 1400MHz typical
- Latch-up performance exceeds 100mA per JESD 78, Class II ¹
- ESD performance tested per JESD 22
 - 8000V human-body model (A114-B, Class II)
 - 1000V charged-device model (C101)
- ESD performance I/O port to GND ²
 - 15000V human-body model
- Packaged in 10-pin UQFN (1.8mm × 1.4mm)

2 Applications

- Routes Signals for USB 1.0, 1.1, and 2.0
- Multi-Purpose Signal Switching
- Portable Electronics
- Industrial
- Consumer Products

3 Description

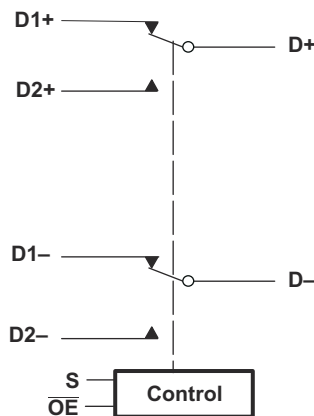
The TS3USB30E is a high-bandwidth 1:2 switch specially designed for the switching of high-speed USB 2.0 signals in handset and consumer applications, such as cell phones, digital cameras, and notebooks with hubs or controllers with limited USB I/Os. The wide bandwidth (1400MHz) of this switch allows signals to pass with minimum edge and phase distortion. The device multiplexes differential outputs from a USB host device to one of two corresponding outputs, or from two different hosts to one corresponding output. The switch is bidirectional and offers little or no attenuation of the high-speed signals at the outputs. The TS3USB30E is designed for low bit-to-bit skew and high channel-to-channel noise isolation, and is compatible with various standards, such as high-speed USB 2.0 (480Mbps).

The TS3USB30E integrates ESD protection cells on all pins, is available in a tiny UQFN package (1.8mm × 1.4mm) or a VSSOP package, and is characterized over the free-air temperature range of –40°C to 85°C.

Package Information

| PART NUMBER | PACKAGE ⁽¹⁾ | PACKAGE SIZE ⁽²⁾ |
|-------------|------------------------|-----------------------------|
| TS3USB30E | DGS (VSSOP, 10) | 3mm × 4.9mm |
| | RSW (UQFN, 10) | 1.8mm × 1.4mm |

- (1) For all available packages, see Section 11.
 (2) The package size (length × width) is a nominal value and includes pins, where applicable.



Functional Block Diagram

¹ Except \overline{OE} and S inputs

² High-voltage HBM is performed in addition to the standard HBM testing (A114-B, Class II) and applies to I/O ports tested with respect to GND only.



Table of Contents

| | | | |
|--------------------------------------------------|----|------------------------------------------------------------------|----|
| 1 Features | 1 | 7.3 Feature Description..... | 12 |
| 2 Applications | 1 | 7.4 Device Functional Modes..... | 12 |
| 3 Description | 1 | 8 Application and Implementation | 13 |
| 4 Pin Configuration and Functions | 3 | 8.1 Application Information..... | 13 |
| 5 Specifications | 4 | 8.2 Typical Application..... | 13 |
| 5.1 Absolute Maximum Ratings..... | 4 | 8.3 Power Supply Recommendations..... | 14 |
| 5.2 ESD Ratings..... | 4 | 8.4 Layout..... | 14 |
| 5.3 Recommended Operating Conditions..... | 4 | 9 Device and Documentation Support | 16 |
| 5.4 Thermal Information..... | 4 | 9.1 Documentation Support..... | 16 |
| 5.5 Electrical Characteristics..... | 5 | 9.2 Receiving Notification of Documentation Updates.... | 16 |
| 5.6 Dynamic Electrical Characteristics..... | 5 | 9.3 Support Resources..... | 16 |
| 5.7 Switching Characteristics..... | 5 | 9.4 Trademarks..... | 16 |
| 5.8 Typical Characteristics..... | 7 | 9.5 Electrostatic Discharge Caution..... | 16 |
| 6 Parameter Measurement Information | 8 | 9.6 Glossary..... | 16 |
| 7 Detailed Description | 12 | 10 Revision History | 16 |
| 7.1 Overview..... | 12 | 11 Mechanical, Packaging, and Orderable Information | 17 |
| 7.2 Functional Block Diagram..... | 12 | | |

4 Pin Configuration and Functions

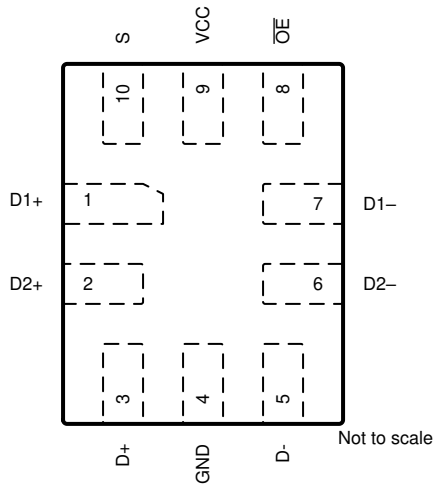


Figure 4-1. RSW Package 10-Pin UQFN Top View

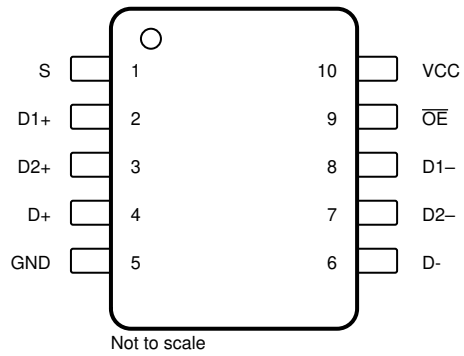


Figure 4-2. DGS Package 10-Pin VSSOP Top View

Table 4-1. Pin Functions

| NAME | PIN | | I/O | DESCRIPTION |
|------|------|-------|-----|------------------------|
| | UQFN | VSSOP | | |
| D+ | 3 | 4 | I/O | Common USB signal path |
| D- | 5 | 6 | I/O | |
| D1+ | 1 | 2 | I/O | USB signal path port 1 |
| D1- | 7 | 8 | I/O | |
| D2+ | 2 | 3 | I/O | USB signal path port 2 |
| D2- | 6 | 7 | I/O | |
| GND | 4 | 5 | — | Ground |
| OE | 8 | 9 | I | Bus-switch enable |
| S | 10 | 1 | I | Select input |
| VCC | 9 | 10 | — | Voltage supply |

5 Specifications

5.1 Absolute Maximum Ratings

over operating free-air temperature range (unless otherwise noted) (see (1) (2))

| | | | MIN | MAX | UNIT |
|-------------------|---------------------------------------------------|----------------------------------|------|-----------------------|------|
| V _{CC} | Supply voltage | | -0.5 | 7 | V |
| V _{IN} | Control input voltage | | -0.5 | 7 | V |
| V _{I/O} | Signal path I/O voltage (3) | D+, D- when V _{CC} > 0V | -0.5 | V _{CC} + 0.3 | V |
| | | D+, D- when V _{CC} = 0V | -0.5 | 5.25 | |
| I _{IK} | Control input clamp current | V _{IN} < 0V | | -50 | mA |
| I _{I/OK} | I/O port clamp current | V _{I/O} < 0V | | -50 | mA |
| I _{I/O} | ON-state switch current(4) | | | ±64 | mA |
| | Continuous current through V _{CC} or GND | | | ±100 | mA |
| T _{stg} | Storage temperature | | -65 | 150 | °C |

- (1) Stresses beyond those listed under *Absolute Maximum Ratings* may cause permanent damage to the device. These are stress ratings only, which do not imply functional operation of the device at these or any other conditions beyond those indicated under *Recommended Operating Conditions*. Exposure to absolute-maximum-rated conditions for extended periods may affect device reliability.
- (2) All voltages are with respect to ground, unless otherwise specified.
- (3) V_I and V_O are used to denote specific conditions for V_{I/O}.
- (4) I_I and I_O are used to denote specific conditions for I_{I/O}.

5.2 ESD Ratings

| | | | VALUE | UNIT | |
|--------------------|-------------------------|------------------------------------------------------------|-----------------|-------|---|
| V _(ESD) | Electrostatic discharge | Human body model (HBM), per ANSI/ESDA/JEDEC JS-001(1) | All pins | 8000 | V |
| | | | I/O port to GND | 15000 | V |
| | | Charged-device model (CDM), per ANSI/ESDA/JEDEC JS-002 (2) | | 1000 | V |

- (1) JEDEC document JEP155 states that 500V HBM allows safe manufacturing with a standard ESD control process.
- (2) JEDEC document JEP157 states that 250V CDM allows safe manufacturing with a standard ESD control process.

5.3 Recommended Operating Conditions

over operating free-air temperature range (unless otherwise noted) (1).

| | | | MIN | MAX | UNIT |
|------------------|----------------------------------|------------------------------|-----|-----------------|------|
| V _{CC} | Supply voltage | | 3 | 4.3 | V |
| V _{IH} | High-level control input voltage | V _{CC} = 3V to 3.6V | 1.3 | V _{CC} | V |
| | | V _{CC} = 4.3V | 1.7 | V _{CC} | |
| V _{IL} | Low-level control input voltage | V _{CC} = 3V to 3.6V | 0 | 0.5 | V |
| | | V _{CC} = 4.3V | 0 | 0.7 | |
| V _{I/O} | Data input/output voltage | | 0 | V _{CC} | V |
| T _A | Operating free-air temperature | | -40 | 85 | °C |

- (1) All unused control inputs of the device must be held at V_{CC} or GND to ensure proper device operation. Refer to *Implications of Slow or Floating CMOS Inputs*.

5.4 Thermal Information

| THERMAL METRIC(1) | | Device | | UNIT |
|-----------------------|--------------------------------------------|-------------|------------|------|
| | | DGS (VSSOP) | RSW (UQFN) | |
| | | 10 PINS | 10 PINS | |
| R _{θJA} | Junction-to-ambient thermal resistance | 203.1 | 114.5 | °C/W |
| R _{θJC(top)} | Junction-to-case (top) thermal resistance | 88.7 | 64.7 | °C/W |
| R _{θJB} | Junction-to-board thermal resistance | 123.0 | 21.0 | °C/W |
| ψ _{JT} | Junction-to-top characterization parameter | 21.2 | 1.9 | °C/W |

| THERMAL METRIC ⁽¹⁾ | | Device | | UNIT |
|-------------------------------|----------------------------------------------|-------------|------------|------|
| | | DGS (VSSOP) | RSW (UQFN) | |
| | | 10 PINS | 10 PINS | |
| Ψ_{JB} | Junction-to-board characterization parameter | 121.6 | 21.0 | °C/W |

(1) For more information about traditional and new thermal metrics, see the [Semiconductor and IC Package Thermal Metrics](#) application report.

5.5 Electrical Characteristics

over operating free-air temperature range (unless otherwise noted)⁽¹⁾

| PARAMETER | | TEST CONDITIONS | MIN | TYP ⁽²⁾ | MAX | UNIT |
|--------------------------------|----------------------------------------------------|------------------------------------------------------------------------------------------|-----|--------------------|------|------|
| V_{IK} | Control inputs clamp voltage | $V_{CC} = 3V, I_I = -18mA$ | | | -1.2 | V |
| I_{IN} | Control inputs | $V_{CC} = 4.3V, 0V, V_{IN} = 0V \text{ to } 4.3V$ | | | ±1 | µA |
| I_{OZ} | D+ and D- OFF-state leakage current ⁽³⁾ | $V_{CC} = 4.3V, V_O = 0V \text{ to } 3.6V, V_I = 0V,$ Switch OFF | | | ±1 | µA |
| I_{OFF} | Powered off leakage current | $V_{CC} = 0V, V_O = 0V \text{ to } 4.3V, V_I = 0V,$ $V_{IN} = V_{CC} \text{ or } GND$ | | | ±2 | µA |
| I_{CC} | Supply current | $V_{CC} = 4.3V, I_{I/O} = 0mA,$ Switch ON or OFF | | | 1 | µA |
| ΔI_{CC} ⁽⁴⁾ | Control inputs | $V_{CC} = 4.3V, V_{IN} = 2.6V$ | | | 10 | µA |
| C_{in} | Control inputs digital input capacitance | $V_{CC} = 0V,$ $V_{IN} = V_{CC} \text{ or } GND$ | | 1 | | pF |
| $C_{io(OFF)}$ | OFF-state input capacitance | $V_{CC} = 3.3V, V_{I/O} = 3.3V \text{ or } 0V,$ Switch OFF | | 2 | | pF |
| $C_{io(ON)}$ | ON-state input capacitance | $V_{CC} = 3.3V, V_{I/O} = 3.3V \text{ or } 0V,$ Switch ON | | 7.5 | | pF |
| R_{ON} | ON-state resistance ⁽⁵⁾ | $V_{CC} = 3V, V_I = 0.4V, I_O = -8mA$ | | 6 | 10 | Ω |
| ΔR_{ON} | ON-state resistance match between channels | $V_{CC} = 3V, V_I = 0.4V, I_O = -8mA$ | | 0.35 | | Ω |
| $r_{on(flat)}$ | ON-state resistance flatness | $V_{CC} = 3V, V_I = 0V \text{ or } 1V, I_O = -8mA$ | | 2 | | Ω |

- (1) V_{IN} and I_{IN} refer to control inputs. $V_I, V_O, I_I,$ and I_O refer to data pins.
- (2) All typical values are at $V_{CC} = 3.3V$ (unless otherwise noted), $T_A = 25^\circ C$.
- (3) For I/O ports, the parameter I_{OZ} includes the input leakage current.
- (4) This is the increase in supply current for each input that is at the specified TTL voltage level, rather than V_{CC} or GND.
- (5) Measured by the voltage drop between the A and B terminals at the indicated current through the switch. ON-state resistance is determined by the lower of the voltages of the two (A or B) terminals.

5.6 Dynamic Electrical Characteristics

over operating range, $T_A = -40^\circ C$ to $85^\circ C, V_{CC} = 3.3V \pm 10\%, GND = 0V$

| PARAMETER | | TEST CONDITIONS | TYP ⁽¹⁾ | UNIT |
|------------|-------------------|--------------------------------------------------------------|--------------------|------|
| X_{TALK} | Crosstalk | $R_L = 50\Omega, f = 240MHz,$ See Figure 6-3 | -32 | dB |
| O_{ISO} | OFF isolation | $R_L = 50\Omega, f = 240MHz,$ See Figure 6-2 | -32 | dB |
| BW | Bandwidth (-3 dB) | $R_L = 50\Omega,$ See Figure 6-4 | 1400 | MHz |

(1) For minimum or maximum conditions, use the appropriate value specified under *Electrical Characteristics* for the applicable device type.

5.7 Switching Characteristics

over operating range, $T_A = -40^\circ C$ to $85^\circ C, V_{CC} = 3.3V \pm 10\%, GND = 0V$

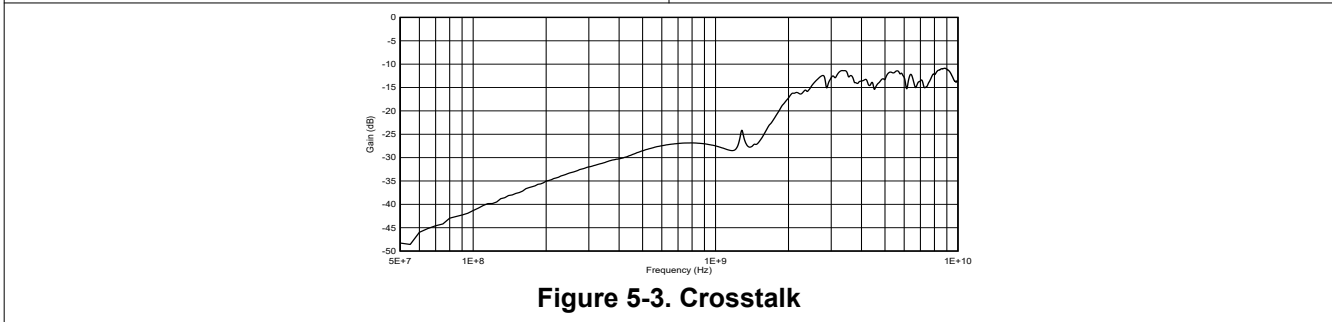
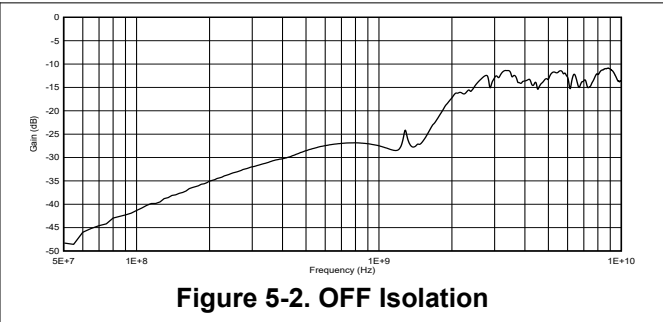
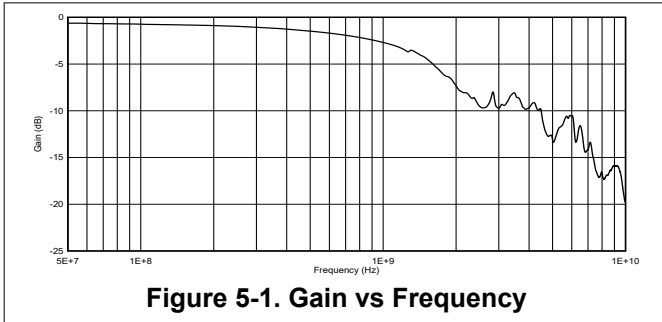
| PARAMETER | | TEST CONDITIONS | MIN | TYP ⁽¹⁾ | MAX | UNIT |
|-----------|---------------------------------------------|----------------------------------------------------------------------------|-----|--------------------|-----|------|
| t_{pd} | Propagation delay ^{(2) (3)} | $R_L = 50\Omega, C_L = 5pF,$ At 480Mbps, See Figure 6-5 | | 0.25 | | ns |
| t_{ON} | Line enable time, SEL to D, nD | $R_L = 50\Omega, C_L = 5pF,$ See Figure 6-1 | | | 30 | ns |
| t_{OFF} | Line disable time, SEL to D, nD | $R_L = 50\Omega, C_L = 5pF,$ See Figure 6-1 | | | 25 | ns |
| t_{ON} | Line enable time, \overline{OE} to D, nD | $R_L = 50\Omega, C_L = 5pF,$ See Figure 6-1 | | | 30 | ns |
| t_{OFF} | Line disable time, \overline{OE} to D, nD | $R_L = 50\Omega, C_L = 5pF,$ See Figure 6-1 | | | 25 | ns |

over operating range, $T_A = -40^{\circ}\text{C}$ to 85°C , $V_{CC} = 3.3\text{V} \pm 10\%$, $\text{GND} = 0\text{V}$

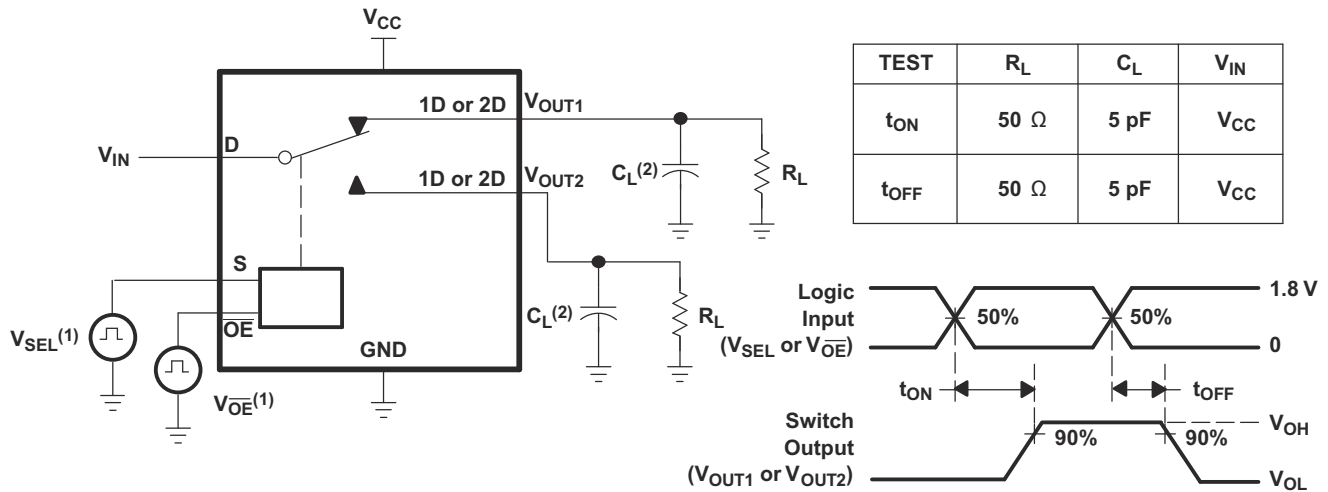
| PARAMETER | | TEST CONDITIONS | MIN | TYP ⁽¹⁾ | MAX | UNIT |
|--------------------|--------------------------------------------------------------------------------------------------------------|------------------------------------------------------------------------------------------------------------|-----|--------------------|-----|------|
| $t_{\text{SK(O)}}$ | Output skew between center port to any other port ⁽²⁾ | $R_L = 50\Omega$, $C_L = 5\text{pF}$, See Figure 6-6 | | | 50 | ps |
| $t_{\text{SK(P)}}$ | Skew between opposite transitions of the same output ($t_{\text{PHL}} - t_{\text{PLH}}$) ⁽²⁾ | $R_L = 50\Omega$, $C_L = 5\text{pF}$, See Figure 6-6 | | | 20 | ps |
| t_J | Total jitter ⁽²⁾ | $R_L = 50\Omega$, $C_L = 5\text{pF}$, $t_R = t_F = 500\text{ps}$ at 480Mbps (PRBS $= 2^{15} - 1$) | | | 20 | ps |

- (1) For minimum or maximum conditions, use the appropriate value specified under *Electrical Characteristics* for the applicable device type.
- (2) Specified by design
- (3) The bus switch contributes no propagational delay other than the RC delay of the on resistance of the switch and the load capacitance. The time constant for the switch alone is of the order of 0.25ns for 10pF load. Since this time constant is much smaller than the rise/fall times of typical driving signals, bus switch adds very little propagational delay to the system. Propagational delay of the bus switch, when used in a system, is determined by the driving circuit on the driving side of the switch and its interactions with the load on the driven side.

5.8 Typical Characteristics



6 Parameter Measurement Information



- A. All input pulses are supplied by generators having the following characteristics: PRR ≤ 10MHz, ZO = 50Ω, tr < 5ns, tf < 5ns.
- B. CL includes probe and jig capacitance.

Figure 6-1. Turn-On (tON) and Turn-Off Time (tOFF)

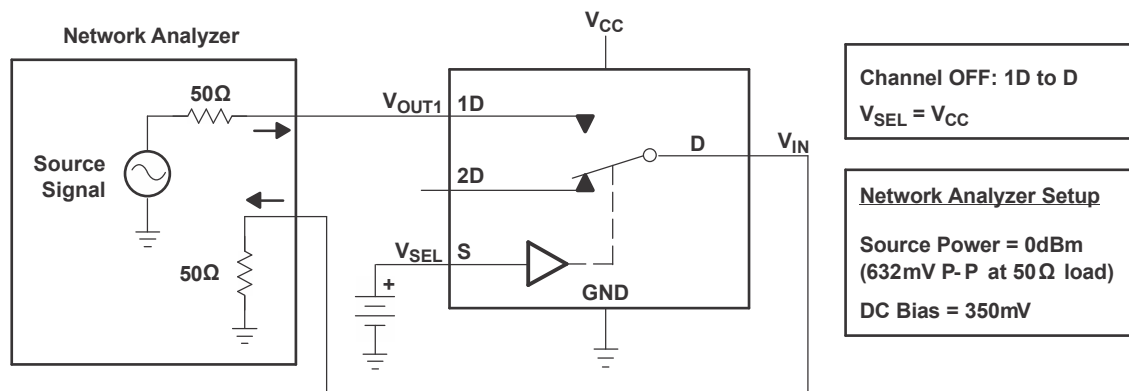


Figure 6-2. OFF Isolation (OISO)

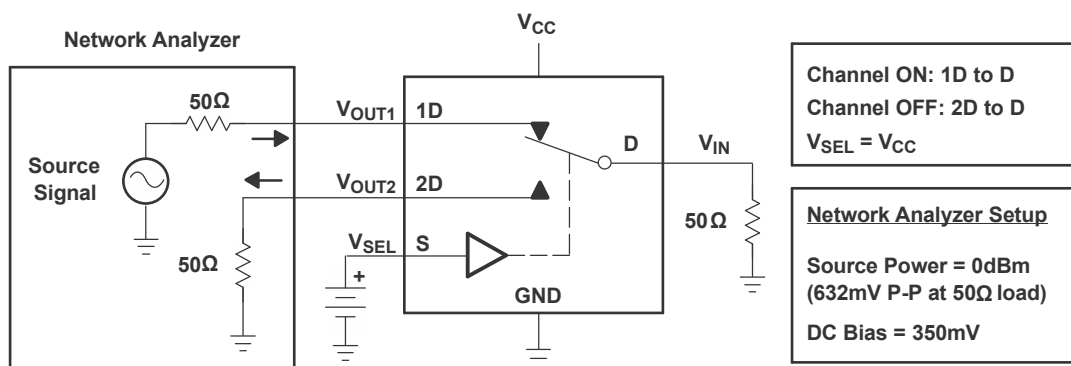


Figure 6-3. Crosstalk (XTALK)

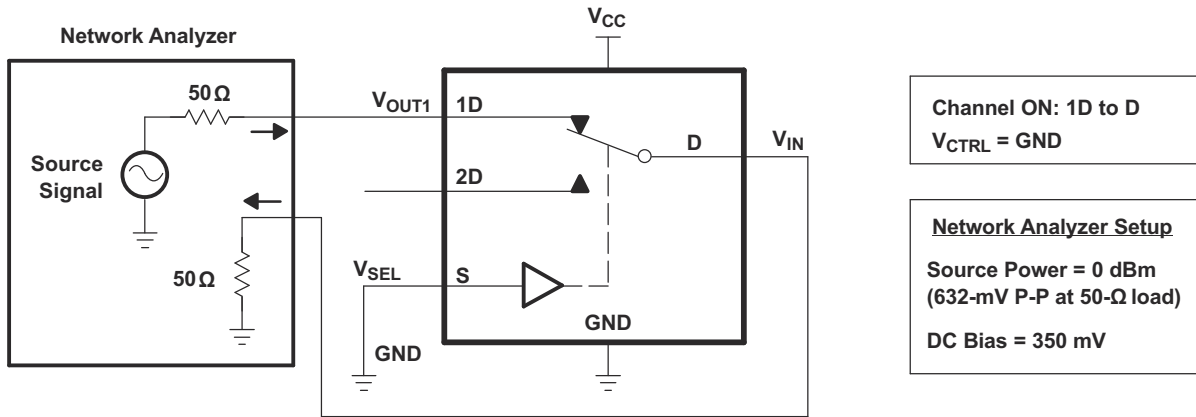


Figure 6-4. Bandwidth (BW)

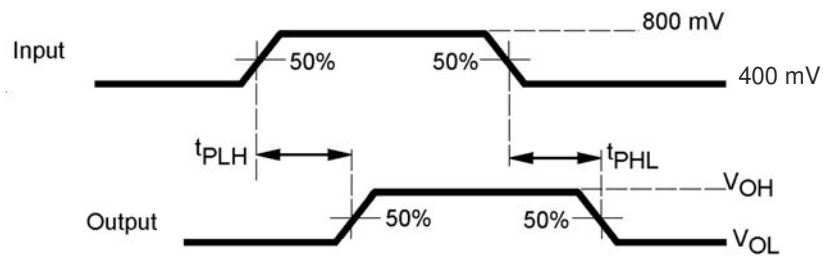


Figure 6-5. Propagation Delay

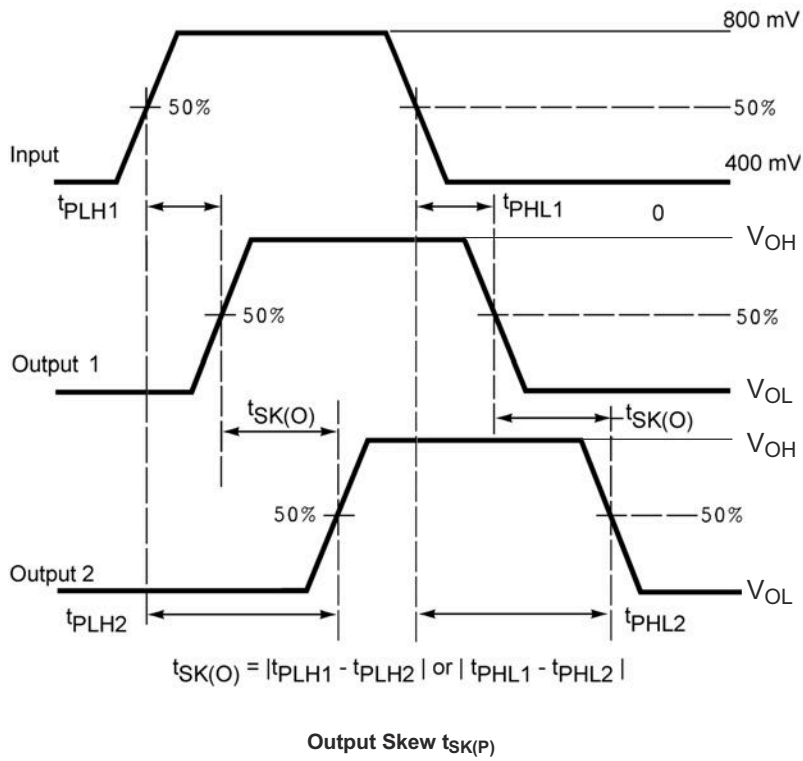
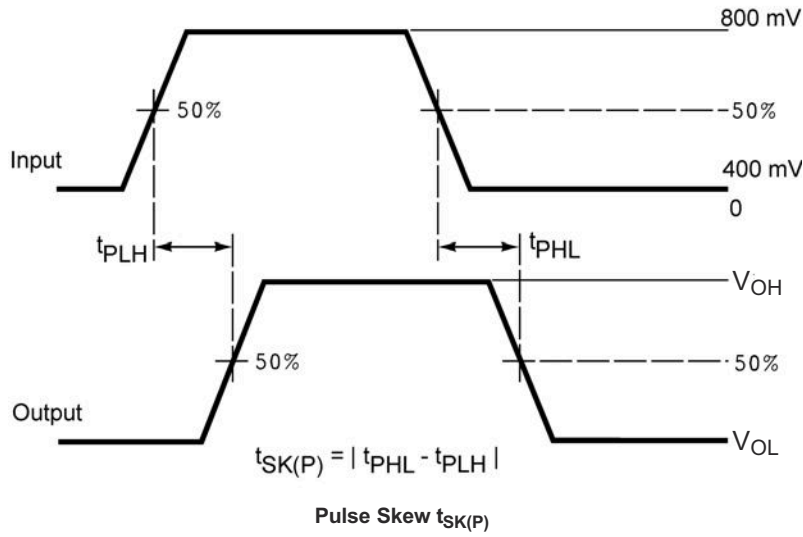


Figure 6-6. Skew Test

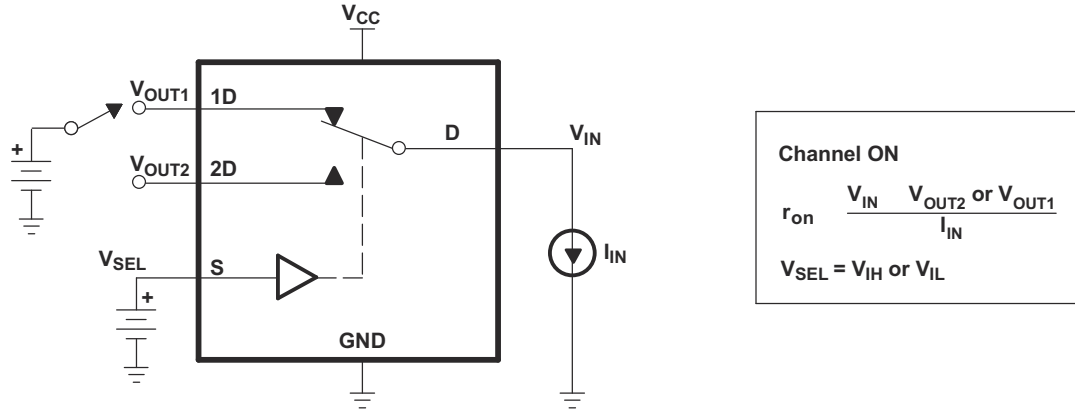


Figure 6-7. ON-State Resistance (R_{ON})

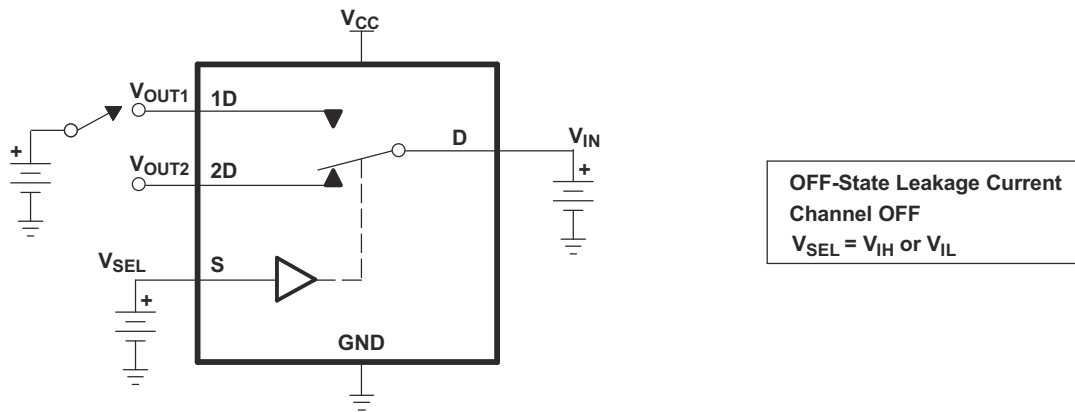


Figure 6-8. OFF-State Leakage Current

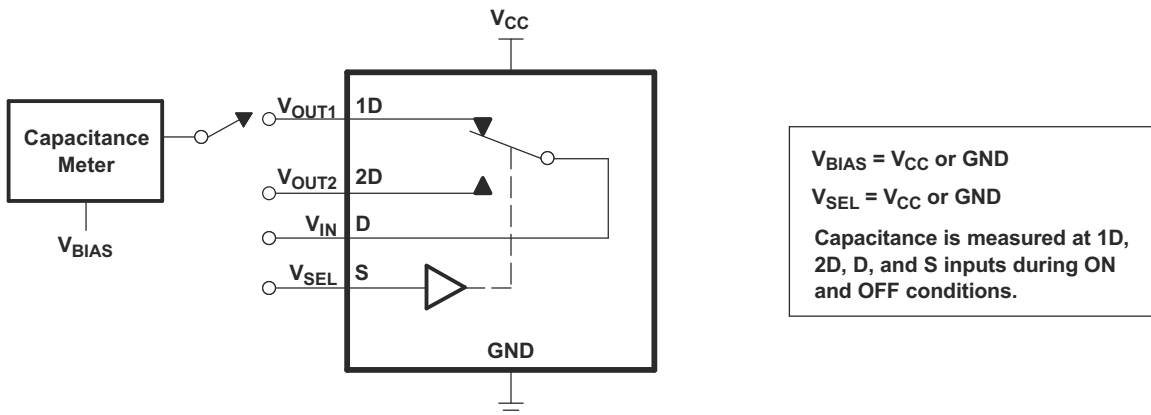


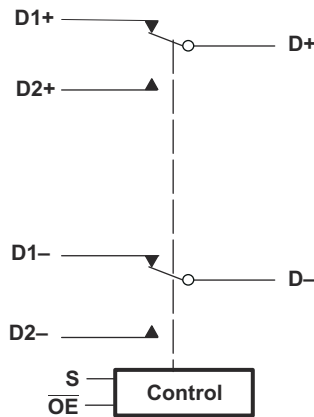
Figure 6-9. Capacitance

7 Detailed Description

7.1 Overview

The TS3USB30E is a high-bandwidth switch specially designed for the switching and isolating of high-speed USB 2.0 signals in systems with limited USB I/Os. The wide bandwidth (1400MHz) of this switch allows signals to pass with minimum edge and phase distortion. The device multiplexes differential outputs from a USB host device to one of two corresponding outputs or from two different hosts to one corresponding output. The switch is bidirectional and offers little or no attenuation of the high-speed signals at the outputs. The switch is designed for low bit-to-bit skew and high channel-to-channel noise isolation, and is compatible with various standards such as high-speed USB 2.0 (480Mbps).

7.2 Functional Block Diagram



7.3 Feature Description

The TS3USB30E has a bus-switch enable pin \overline{OE} that can place the signal paths in high impedance. This allows the user to isolate the bus when the bus is not in use to consume less current.

7.4 Device Functional Modes

The device functional modes are shown in [Table 7-1](#).

Table 7-1. Truth Table

| S | \overline{OE} | FUNCTION |
|---|-----------------|------------|
| X | H | Disconnect |
| L | L | D = D1 |
| H | L | D = D2 |

8 Application and Implementation

Note

Information in the following applications sections is not part of the TI component specification, and TI does not warrant its accuracy or completeness. TI's customers are responsible for determining suitability of components for their purposes, as well as validating and testing their design implementation to confirm system functionality.

8.1 Application Information

There are many USB applications in which the USB hubs or controllers have a limited number of USB I/Os. The TS3USB30E solution can effectively expand the limited USB I/Os by switching between multiple USB buses to a single USB hub or controller. The TS3USB30E can also be used to connect a single USB controller to two USB connectors or controllers.

8.2 Typical Application

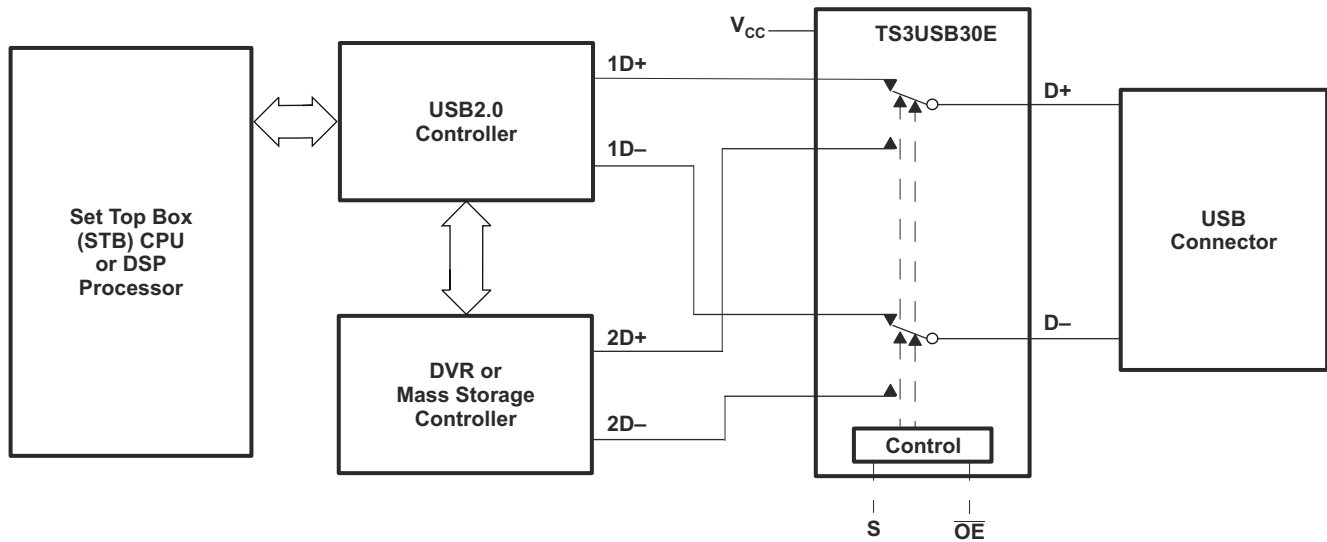


Figure 8-1. Application Diagram

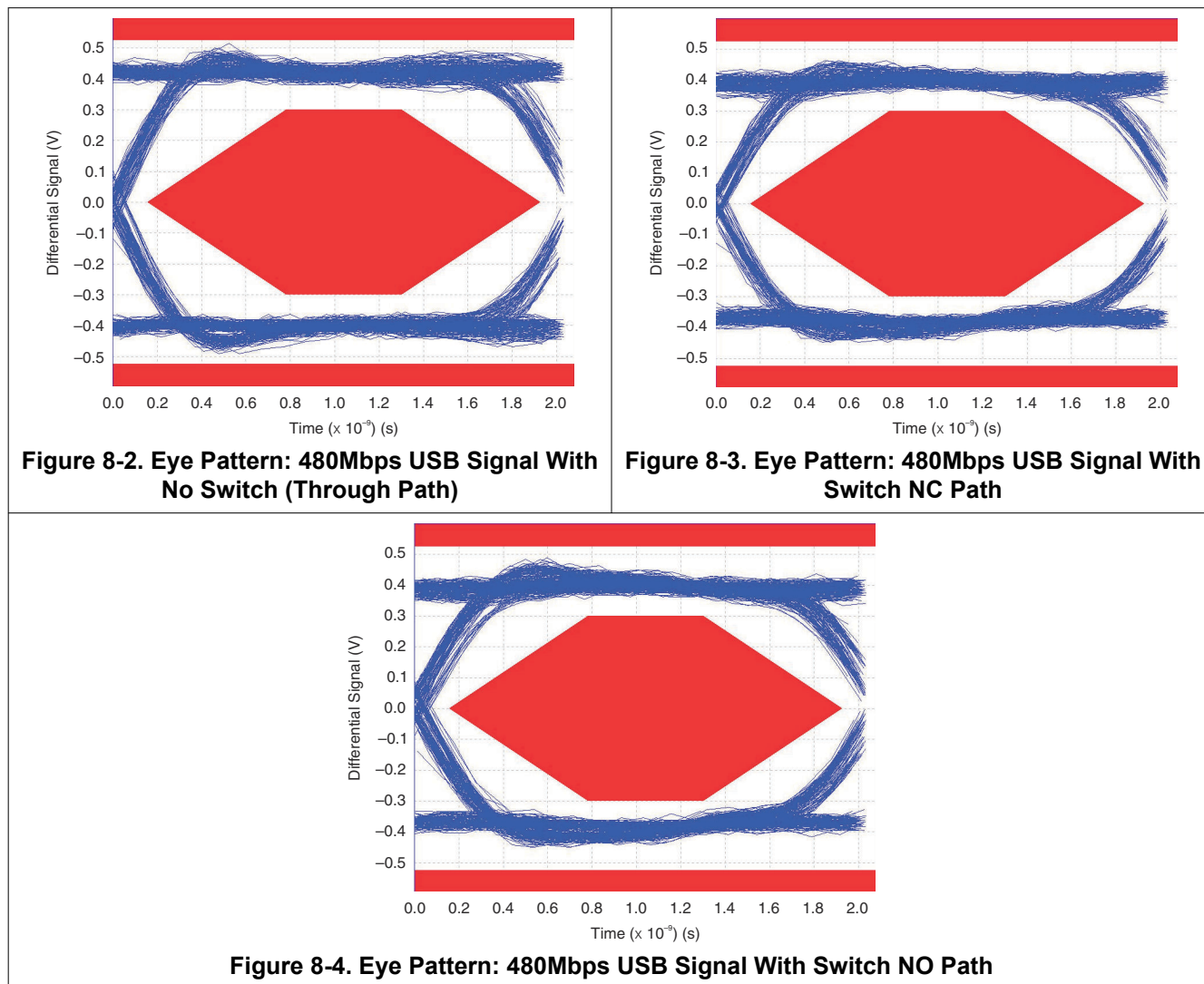
8.2.1 Design Requirements

Design requirements of the USB 1.0, 1.1, and 2.0 standards should be followed. TI recommends that the digital control pins S and \overline{OE} be pulled up to V_{CC} or down to GND to avoid undesired switch positions that could result from the floating pin.

8.2.2 Detailed Design Procedure

The TS3USB30E can be properly operated without any external components. However, TI recommends to connect any unused pins to ground through a 50Ω resistor to prevent signal reflections back into the device.

8.2.3 Application Curves



8.3 Power Supply Recommendations

Power to the device is supplied through the V_{CC} pin and must follow the USB 1.0, 1.1, and 2.0 standards. TI recommends placing a bypass capacitor as close as possible to the supply pin V_{CC} to help smooth out lower frequency noise to provide better load regulation across the frequency spectrum.

8.4 Layout

8.4.1 Layout Guidelines

Place supply bypass capacitors as close to V_{CC} pin as possible and avoid placing the bypass caps near the D+ and D- traces.

The high-speed D+ and D- traces must always be of equal length and must be no more than 4 inches; otherwise, the eye diagram performance may be degraded. A high-speed USB connection is made through a shielded, twisted pair cable with a differential characteristic impedance. In the layout, make sure the impedance of D+ and D- traces match the cable characteristic differential impedance for optimal performance.

Route the high-speed USB signals using a minimum of vias and corners to reduce signal reflections and impedance changes. When a via must be used, increase the clearance size around the via to minimize the

capacitance. Each via introduces discontinuities in the transmission line of the signal and increases the chance of picking up interference from the other layers of the board. Be careful when designing test points on twisted pair lines; through-hole pins are not recommended.

When it becomes necessary to turn 90°, use two 45° turns or an arc instead of making a single 90° turn. This reduces reflections on the signal traces by minimizing impedance discontinuities.

Do not route USB traces under or near crystals, oscillators, clock signal generators, switching regulators, mounting holes, magnetic devices, or ICs that use or duplicate clock signals.

Avoid stubs on the high-speed USB signals because the stubs can cause signal reflections. If a stub is unavoidable, then make sure the stub is less than 200mm.

Route all high-speed USB signal traces over continuous planes (VCC or GND), with no interruptions.

Avoid crossing over anti-etch, commonly found with plane splits.

Due to high frequencies associated with the USB, a printed circuit board with at least four layers is recommended: two signal layers separated by a ground layer and a power layer. The majority of signal traces should run on a single layer, preferably Signal 1. Immediately next to this layer should be the GND plane, which is solid with no cuts. Avoid running signal traces across a split in the ground or power plane. When running across split planes is unavoidable, sufficient decoupling must be used. Minimizing the number of signal vias reduces EMI by reducing inductance at high frequencies. For more information on layout guidelines, see [High Speed Layout Guidelines](#) and [USB 2.0 Board Design and Layout Guidelines](#).

8.4.2 Layout Example

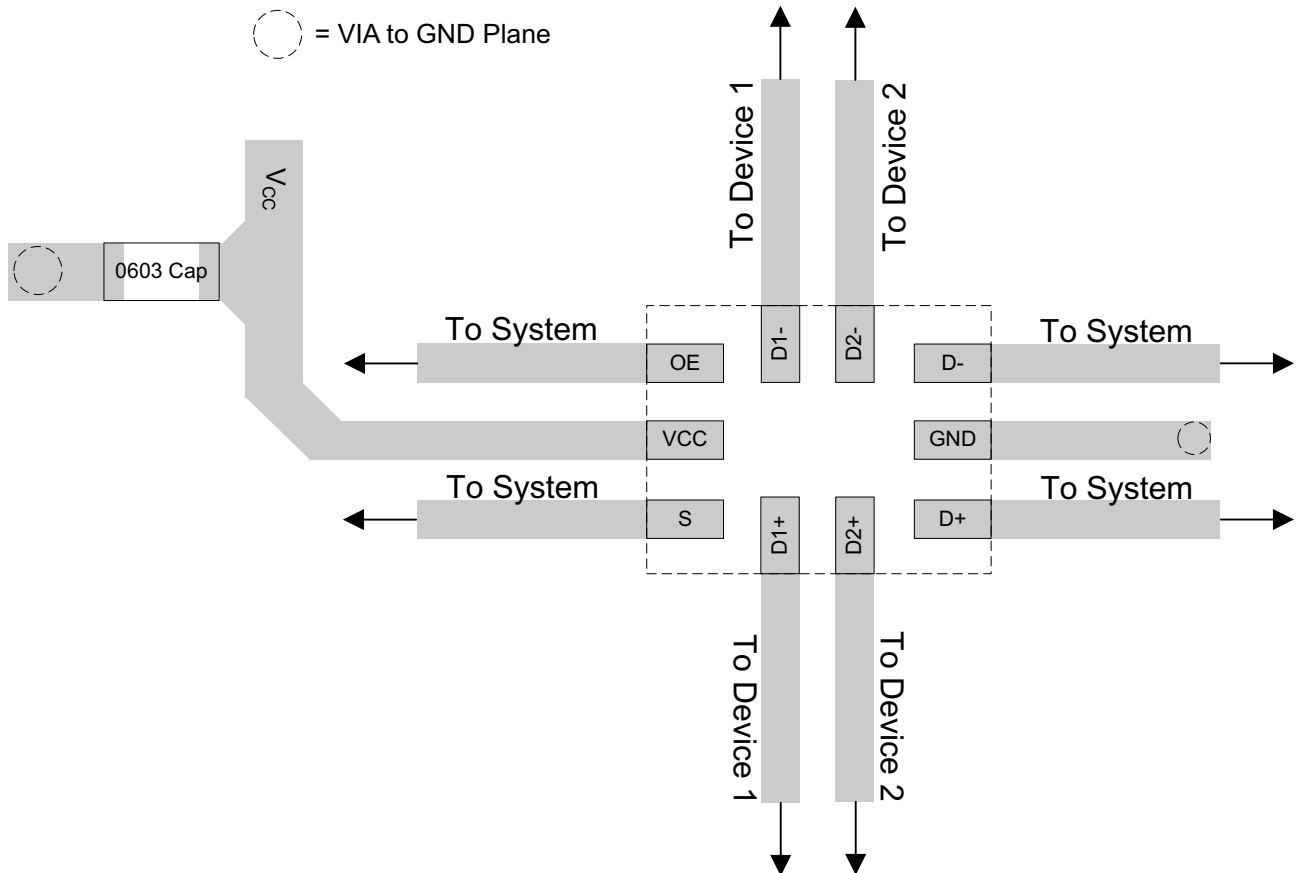


Figure 8-5. Layout Recommendation

9 Device and Documentation Support

9.1 Documentation Support

9.1.1 Related Documentation

For related documentation, see the following:

- Texas Instruments, [Implications of Slow or Floating CMOS Inputs application note](#)
- Texas Instruments, [High Speed Layout Guidelines](#)
- Texas Instruments, [USB 2.0 Board Design and Layout Guidelines](#)

9.2 Receiving Notification of Documentation Updates

To receive notification of documentation updates, navigate to the device product folder on [ti.com](#). Click on *Notifications* to register and receive a weekly digest of any product information that has changed. For change details, review the revision history included in any revised document.

9.3 Support Resources

[TI E2E™ support forums](#) are an engineer's go-to source for fast, verified answers and design help — straight from the experts. Search existing answers or ask your own question to get the quick design help you need.

Linked content is provided "AS IS" by the respective contributors. They do not constitute TI specifications and do not necessarily reflect TI's views; see TI's [Terms of Use](#).

9.4 Trademarks

TI E2E™ is a trademark of Texas Instruments.

All trademarks are the property of their respective owners.

9.5 Electrostatic Discharge Caution



This integrated circuit can be damaged by ESD. Texas Instruments recommends that all integrated circuits be handled with appropriate precautions. Failure to observe proper handling and installation procedures can cause damage.

ESD damage can range from subtle performance degradation to complete device failure. Precision integrated circuits may be more susceptible to damage because very small parametric changes could cause the device not to meet its published specifications.

9.6 Glossary

[TI Glossary](#) This glossary lists and explains terms, acronyms, and definitions.

10 Revision History

NOTE: Page numbers for previous revisions may differ from page numbers in the current version.

| Changes from Revision F (August 2015) to Revision G (October 2024) | Page |
|--------------------------------------------------------------------------------------------------------------------------------------------------------------------------------------------|------|
| • Changed the <i>Pin Configuration</i> images and removed the RSW bottom view pinout..... | 3 |
| • Removed footnote in <i>Absolute Maximum Ratings</i> which stated "The input and output voltage ratings may be exceeded if the input and output clamp-current ratings are observed."..... | 4 |
| • Changed XTALK from -54dB to -32dB..... | 5 |
| • Changed OISO from -40dB to -32dB..... | 5 |
| • Changed BW from 900MHz to 1400GHz and removed CL = 5pF from Test Conditions..... | 5 |
| • Changed the <i>Gain vs Frequency</i> graph..... | 7 |
| • Changed the <i>Crosstalk (X_{TALK})</i> graph..... | 7 |
| • Changed the <i>Off Isolation (O_{ISO})</i> graph..... | 7 |
| • Removed the 50Ω pulldown resistor on VOUT1 from the <i>Off Isolation (O_{ISO})</i> image..... | 8 |
| • Added the text D next to V _{IN} the <i>Crosstalk (X_{TALK})</i> image..... | 8 |

| Changes from Revision E (August 2012) to Revision F (August 2015) | Page |
|-----------------------------------------------------------------------------------------------------------------------------------------------------------------------------------------------------------------------------------------------------------------------------------------------------------------------------------------------------------------------------------------------------------------------------------------------------------------------------------------------------------------------------------------------|-------------|
| <ul style="list-style-type: none"> • Added <i>Pin Configuration and Functions</i> section, <i>ESD Ratings</i> table, <i>Feature Description</i> section, <i>Device Functional Modes</i>, <i>Application and Implementation</i> section, <i>Power Supply Recommendations</i> section, <i>Layout</i> section, <i>Device and Documentation Support</i> section, and <i>Mechanical, Packaging, and Orderable Information</i> section 1 • Changed package type in the <i>Description</i> From: DGS To: VSSOP 1 | 1 |

11 Mechanical, Packaging, and Orderable Information

The following pages include mechanical, packaging, and orderable information. This information is the most current data available for the designated devices. This data is subject to change without notice and revision of this document. For browser-based versions of this data sheet, refer to the left-hand navigation.

PACKAGING INFORMATION

| Orderable Device | Status (1) | Package Type | Package Drawing | Pins | Package Qty | Eco Plan (2) | Lead finish/ Ball material (6) | MSL Peak Temp (3) | Op Temp (°C) | Device Marking (4/5) | Samples |
|------------------|---------------|--------------|--------------------|------|----------------|-----------------|--------------------------------------|----------------------|--------------|-------------------------|-------------------------|
| TS3USB30EDGSR | ACTIVE | VSSOP | DGS | 10 | 2500 | RoHS & Green | NIPDAU | Level-1-260C-UNLIM | -40 to 85 | (L6Q, L6R) | Samples |
| TS3USB30ERSWR | ACTIVE | UQFN | RSW | 10 | 3000 | RoHS & Green | NIPDAU | Level-1-260C-UNLIM | -40 to 85 | (LY7, LYO, LYV) | Samples |

(1) The marketing status values are defined as follows:

ACTIVE: Product device recommended for new designs.

LIFEBUY: TI has announced that the device will be discontinued, and a lifetime-buy period is in effect.

NRND: Not recommended for new designs. Device is in production to support existing customers, but TI does not recommend using this part in a new design.

PREVIEW: Device has been announced but is not in production. Samples may or may not be available.

OBSOLETE: TI has discontinued the production of the device.

(2) **RoHS:** TI defines "RoHS" to mean semiconductor products that are compliant with the current EU RoHS requirements for all 10 RoHS substances, including the requirement that RoHS substance do not exceed 0.1% by weight in homogeneous materials. Where designed to be soldered at high temperatures, "RoHS" products are suitable for use in specified lead-free processes. TI may reference these types of products as "Pb-Free".

RoHS Exempt: TI defines "RoHS Exempt" to mean products that contain lead but are compliant with EU RoHS pursuant to a specific EU RoHS exemption.

Green: TI defines "Green" to mean the content of Chlorine (Cl) and Bromine (Br) based flame retardants meet JS709B low halogen requirements of <=1000ppm threshold. Antimony trioxide based flame retardants must also meet the <=1000ppm threshold requirement.

(3) MSL, Peak Temp. - The Moisture Sensitivity Level rating according to the JEDEC industry standard classifications, and peak solder temperature.

(4) There may be additional marking, which relates to the logo, the lot trace code information, or the environmental category on the device.

(5) Multiple Device Markings will be inside parentheses. Only one Device Marking contained in parentheses and separated by a "~" will appear on a device. If a line is indented then it is a continuation of the previous line and the two combined represent the entire Device Marking for that device.

(6) Lead finish/Ball material - Orderable Devices may have multiple material finish options. Finish options are separated by a vertical ruled line. Lead finish/Ball material values may wrap to two lines if the finish value exceeds the maximum column width.

Important Information and Disclaimer:The information provided on this page represents TI's knowledge and belief as of the date that it is provided. TI bases its knowledge and belief on information provided by third parties, and makes no representation or warranty as to the accuracy of such information. Efforts are underway to better integrate information from third parties. TI has taken and continues to take reasonable steps to provide representative and accurate information but may not have conducted destructive testing or chemical analysis on incoming materials and chemicals. TI and TI suppliers consider certain information to be proprietary, and thus CAS numbers and other limited information may not be available for release.

In no event shall TI's liability arising out of such information exceed the total purchase price of the TI part(s) at issue in this document sold by TI to Customer on an annual basis.

TAPE AND REEL INFORMATION

QUADRANT ASSIGNMENTS FOR PIN 1 ORIENTATION IN TAPE


*All dimensions are nominal

| Device | Package Type | Package Drawing | Pins | SPQ | Reel Diameter (mm) | Reel Width W1 (mm) | A0 (mm) | B0 (mm) | K0 (mm) | P1 (mm) | W (mm) | Pin1 Quadrant |
|---------------|--------------|-----------------|------|------|--------------------|--------------------|---------|---------|---------|---------|--------|---------------|
| TS3USB30EDGSR | VSSOP | DGS | 10 | 2500 | 330.0 | 12.4 | 5.3 | 3.4 | 1.4 | 8.0 | 12.0 | Q1 |
| TS3USB30ERSWR | UQFN | RSW | 10 | 3000 | 180.0 | 9.5 | 1.6 | 2.0 | 0.8 | 4.0 | 8.0 | Q1 |

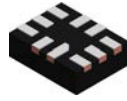
TAPE AND REEL BOX DIMENSIONS



*All dimensions are nominal

| Device | Package Type | Package Drawing | Pins | SPQ | Length (mm) | Width (mm) | Height (mm) |
|---------------|--------------|-----------------|------|------|-------------|------------|-------------|
| TS3USB30EDGSR | VSSOP | DGS | 10 | 2500 | 358.0 | 335.0 | 35.0 |
| TS3USB30ERSWR | UQFN | RSW | 10 | 3000 | 189.0 | 185.0 | 36.0 |

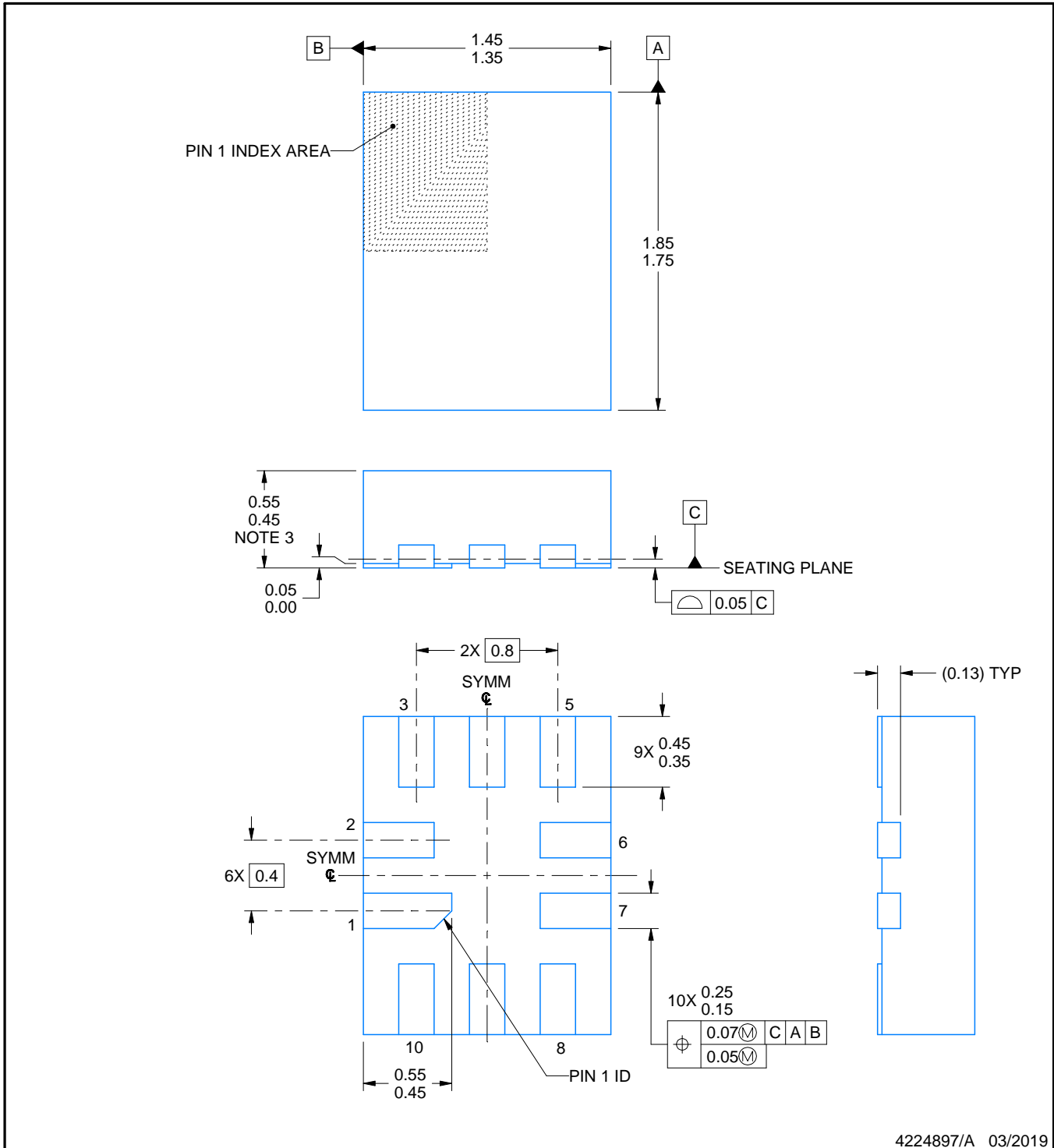
RSW0010A



PACKAGE OUTLINE

UQFN - 0.55 mm max height

PLASTIC QUAD FLATPACK - NO LEAD



4224897/A 03/2019

NOTES:

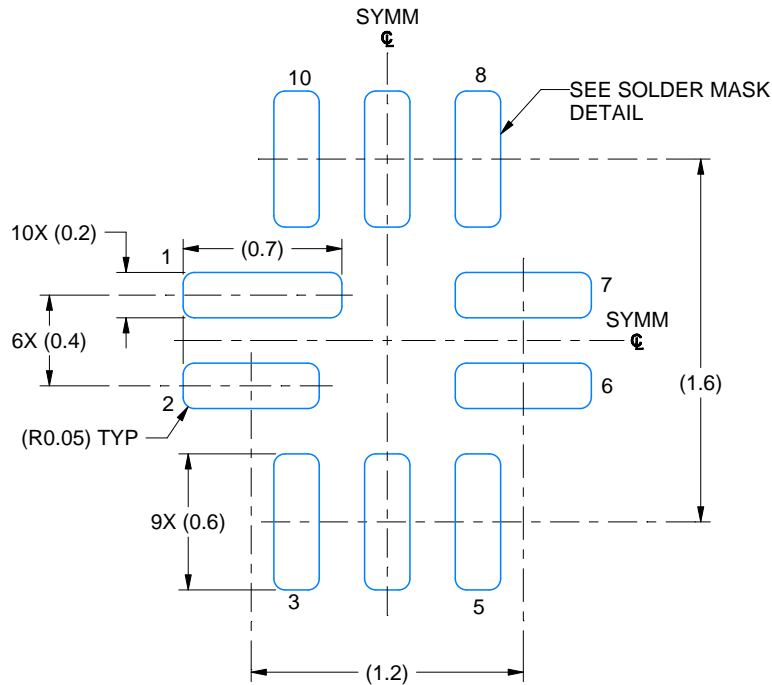
1. All linear dimensions are in millimeters. Any dimensions in parenthesis are for reference only. Dimensioning and tolerancing per ASME Y14.5M.
2. This drawing is subject to change without notice.
3. This package complies to JEDEC MO-288 variation UDEE, except minimum package height.

EXAMPLE BOARD LAYOUT

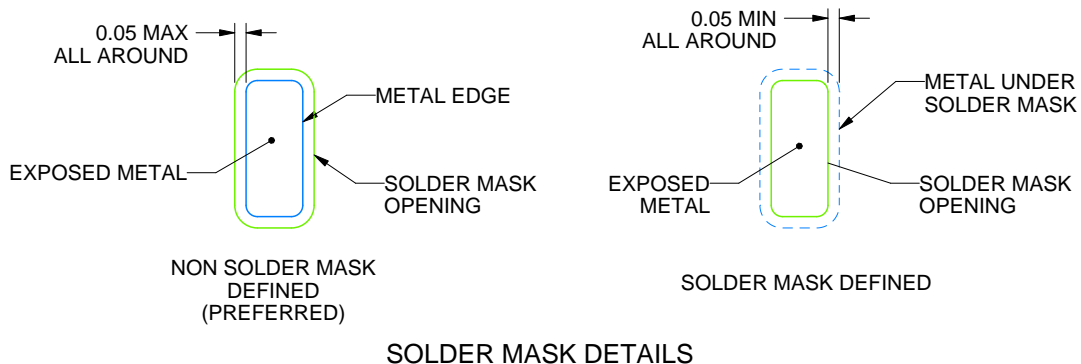
RSW0010A

UQFN - 0.55 mm max height

PLASTIC QUAD FLATPACK - NO LEAD



LAND PATTERN EXAMPLE
EXPOSED METAL SHOWN
SCALE: 30X



SOLDER MASK DETAILS

4224897/A 03/2019

NOTES: (continued)

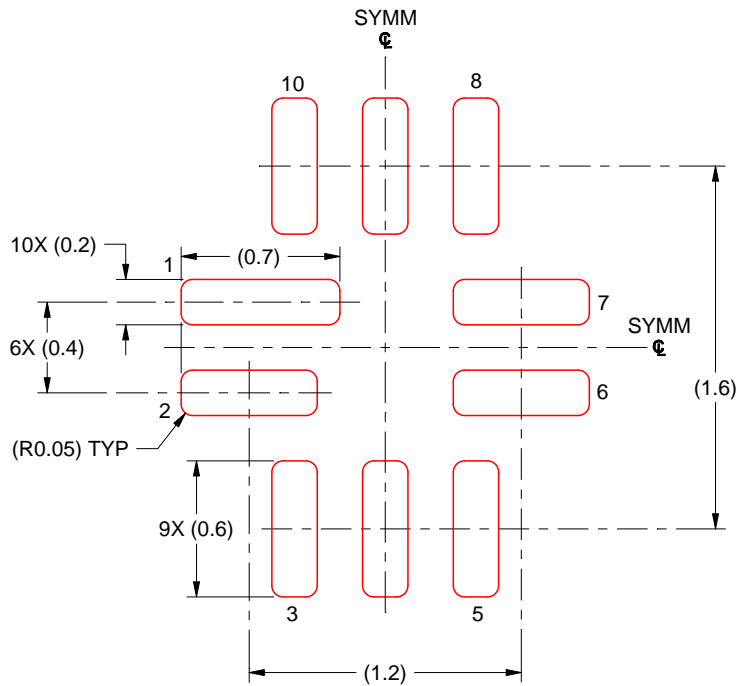
- This package is designed to be soldered to a thermal pad on the board. For more information, see Texas Instruments literature number SLUA271 (www.ti.com/lit/slue271).
- Vias are optional depending on application, refer to device data sheet. If any vias are implemented, refer to their locations shown on this view. It is recommended that vias under paste be filled, plugged or tented.

EXAMPLE STENCIL DESIGN

RSW0010A

UQFN - 0.55 mm max height

PLASTIC QUAD FLATPACK - NO LEAD



SOLDER PASTE EXAMPLE
BASED ON 0.125 MM THICK STENCIL
SCALE: 30X

4224897/A 03/2019

NOTES: (continued)

6. Laser cutting apertures with trapezoidal walls and rounded corners may offer better paste release. IPC-7525 may have alternate design recommendations.

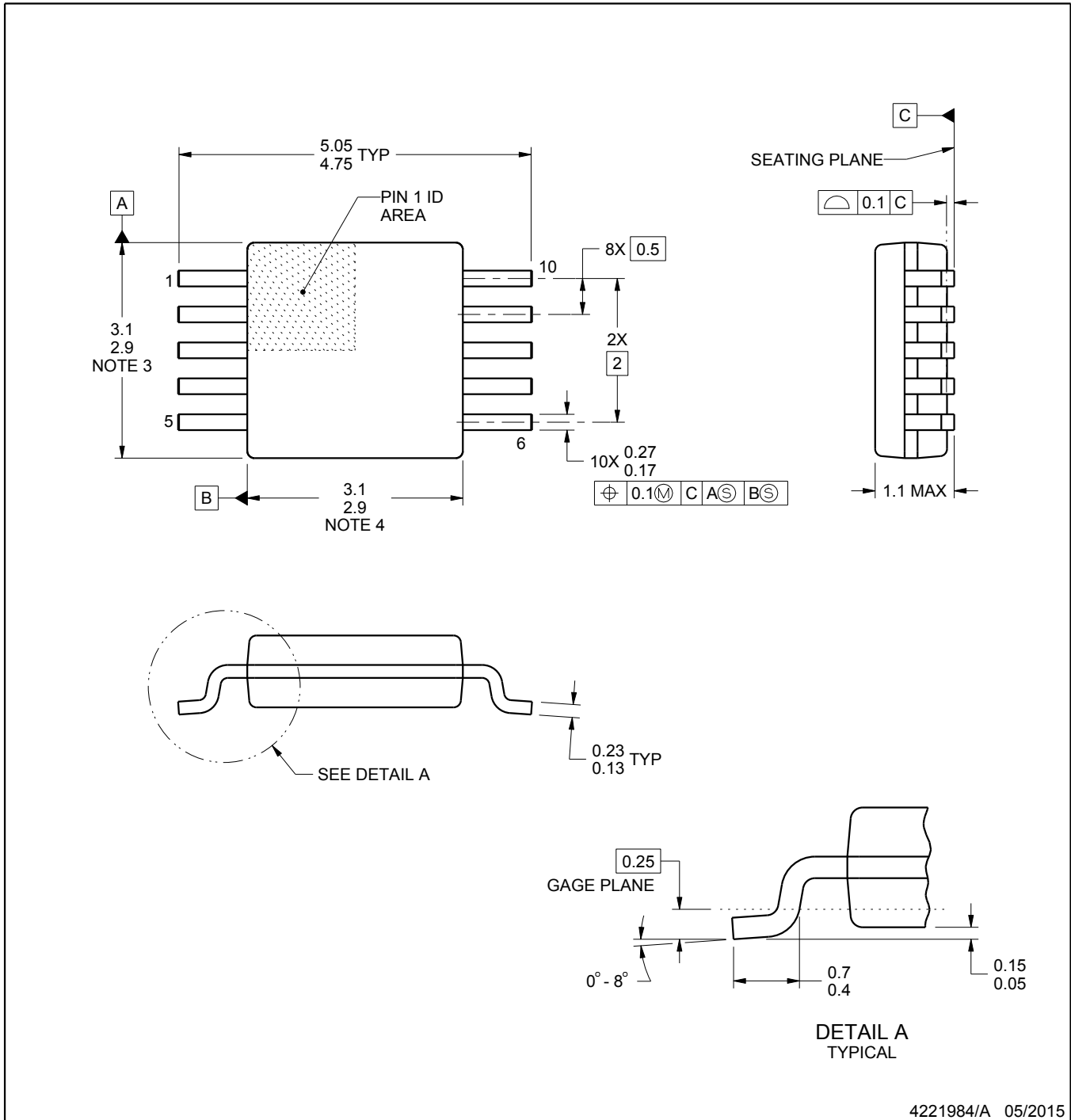
DGS0010A



PACKAGE OUTLINE

VSSOP - 1.1 mm max height

SMALL OUTLINE PACKAGE



4221984/A 05/2015

NOTES:

1. All linear dimensions are in millimeters. Any dimensions in parenthesis are for reference only. Dimensioning and tolerancing per ASME Y14.5M.
2. This drawing is subject to change without notice.
3. This dimension does not include mold flash, protrusions, or gate burrs. Mold flash, protrusions, or gate burrs shall not exceed 0.15 mm per side.
4. This dimension does not include interlead flash. Interlead flash shall not exceed 0.25 mm per side.
5. Reference JEDEC registration MO-187, variation BA.

EXAMPLE BOARD LAYOUT

DGS0010A

VSSOP - 1.1 mm max height

SMALL OUTLINE PACKAGE



LAND PATTERN EXAMPLE
SCALE:10X



SOLDER MASK DETAILS
NOT TO SCALE

4221984/A 05/2015

NOTES: (continued)

- 6. Publication IPC-7351 may have alternate designs.
- 7. Solder mask tolerances between and around signal pads can vary based on board fabrication site.

EXAMPLE STENCIL DESIGN

DGS0010A

VSSOP - 1.1 mm max height

SMALL OUTLINE PACKAGE



SOLDER PASTE EXAMPLE
BASED ON 0.125 mm THICK STENCIL
SCALE:10X

4221984/A 05/2015

NOTES: (continued)

8. Laser cutting apertures with trapezoidal walls and rounded corners may offer better paste release. IPC-7525 may have alternate design recommendations.
9. Board assembly site may have different recommendations for stencil design.

IMPORTANT NOTICE AND DISCLAIMER

TI PROVIDES TECHNICAL AND RELIABILITY DATA (INCLUDING DATA SHEETS), DESIGN RESOURCES (INCLUDING REFERENCE DESIGNS), APPLICATION OR OTHER DESIGN ADVICE, WEB TOOLS, SAFETY INFORMATION, AND OTHER RESOURCES "AS IS" AND WITH ALL FAULTS, AND DISCLAIMS ALL WARRANTIES, EXPRESS AND IMPLIED, INCLUDING WITHOUT LIMITATION ANY IMPLIED WARRANTIES OF MERCHANTABILITY, FITNESS FOR A PARTICULAR PURPOSE OR NON-INFRINGEMENT OF THIRD PARTY INTELLECTUAL PROPERTY RIGHTS.

These resources are intended for skilled developers designing with TI products. You are solely responsible for (1) selecting the appropriate TI products for your application, (2) designing, validating and testing your application, and (3) ensuring your application meets applicable standards, and any other safety, security, regulatory or other requirements.

These resources are subject to change without notice. TI grants you permission to use these resources only for development of an application that uses the TI products described in the resource. Other reproduction and display of these resources is prohibited. No license is granted to any other TI intellectual property right or to any third party intellectual property right. TI disclaims responsibility for, and you will fully indemnify TI and its representatives against, any claims, damages, costs, losses, and liabilities arising out of your use of these resources.

TI's products are provided subject to [TI's Terms of Sale](#) or other applicable terms available either on [ti.com](https://www.ti.com) or provided in conjunction with such TI products. TI's provision of these resources does not expand or otherwise alter TI's applicable warranties or warranty disclaimers for TI products.

TI objects to and rejects any additional or different terms you may have proposed.

Mailing Address: Texas Instruments, Post Office Box 655303, Dallas, Texas 75265
Copyright © 2024, Texas Instruments Incorporated