

# UCC14141-Q1 Automotive 1.5-W, 12-V $V_{IN}$ , 25-V $V_{OUT}$ , High-Density, > 5 kV<sub>RMS</sub>, Isolated DC/DC Module

## 1 Features

- Fully integrated high-density isolated DC/DC module with isolation transformer
- Isolated DC/DC for driving: IGBTs, SiC FETs
- Input voltage range: 8 V to 18 V with 32-V absolute maximum
- 1.5-W output power for  $10.8\text{ V} < V_{VIN} < 13.2\text{ V}$ , at  $T_A \leq 85\text{ }^\circ\text{C}$
- 1-W output power for  $8\text{ V} < V_{VIN} < 18\text{ V}$ , at  $T_A \leq 85\text{ }^\circ\text{C}$
- Adjustable (VDD – VEE) output voltage (with external resistors): 15 V to 25 V,  $\pm 1.3\%$  regulation accuracy over full temperature range
- Adjustable (COM – VEE) output voltage (with external resistors): 2.5 V to (VDD – VEE),  $\pm 1.3\%$  regulation accuracy over full temperature range
- Low electromagnetic emission with spread spectrum modulation and integrated transformer
- Enable, Power Good, UVLO, OVLO, soft-start, short-circuit, power-limit, under-voltage, overvoltage, and over-temperature protection
- CMTI > 150 kV/ $\mu\text{s}$
- AEC-Q100 qualified for automotive applications
  - Temperature grade 1:  $-40\text{ }^\circ\text{C} \leq T_J \leq 150\text{ }^\circ\text{C}$
  - Temperature grade 1:  $-40\text{ }^\circ\text{C} \leq T_A \leq 125\text{ }^\circ\text{C}$
- Functional Safety-Capable**
  - Documentation available to aid functional safety system design
- Planned safety-related certifications:
  - 7071-VPK reinforce isolation per DIN EN IEC 60747-17 (VDE 0884-17)
  - 5000-VRMS isolation for 1 minute per UL 1577
  - Reinforce insulation per CQC GB4943.1
- 36-pin, wide SSOP package

## 2 Applications

- Hybrid, electric and power train system (EV/HEV)
  - Inverter and motor control
  - On-board (OBC) and wireless charger
  - DC/DC converter
- Grid infrastructure
  - EV charging station power module
  - DC charging (pile) station
  - String inverter
- Motor drive
  - AC inverter and VF drive, robot servo drive
- Industrial transport
  - Off-highway vehicle electric drive

## 3 Description

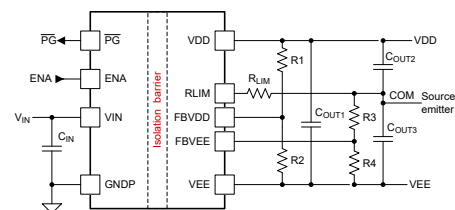
UCC14141-Q1 is an automotive qualified high isolation voltage DC/DC power module designed to provide power to IGBT or SiC gate drivers. The UCC14141-Q1 integrates a transformer and DC/DC controller with a proprietary architecture to achieve high density with very low emissions. The high-accuracy output voltages provide better channel enhancement for higher system efficiency without over-stressing the power device gate. The input voltage of UCC14141-Q1 supports both wide LiFePO<sub>4</sub> battery voltage of electric vehicle (8 V-18 V) and regulated 12-V rail (10.8 V-13.2 V), with different output power.

The fully integrated module with on-chip device protection requires a minimum of external components, and provides extra features such as input under-voltage lockout, over-voltage lockout, output voltage power-good comparators, over-temperature shutdown, soft-start time-out, adjustable isolated positive and negative output voltage, an enable pin, and an open-drain output power-good pin.

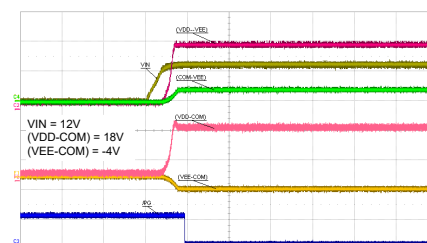
### Device Information

ORDERABLE PART NUMBER <sup>(1)</sup>	PACKAGE	BODY SIZE (NOM)
UCC14141QDWNRQ1	SSOP	12.83 mm × 7.50 mm

- (1) For all available packages, see the orderable addendum at the end of the data sheet.



### Simplified Application



Typical Power-up Sequence



## Table of Contents

<b>1 Features</b> .....	1	8.2 Functional Block Diagram.....	18
<b>2 Applications</b> .....	1	8.3 Feature Description.....	19
<b>3 Description</b> .....	1	8.4 Device Functional Modes.....	28
<b>4 Revision History</b> .....	2	<b>9 Application and Implementation</b> .....	29
<b>5 Device Comparison</b> .....	3	9.1 Application Information.....	29
<b>6 Pin Configuration and Functions</b> .....	4	9.2 Typical Application.....	29
<b>7 Specifications</b> .....	6	9.3 System Examples.....	39
7.1 Absolute Maximum Ratings.....	6	9.4 Power Supply Recommendations.....	40
7.2 ESD Ratings.....	6	9.5 Layout.....	40
7.3 Recommended Operating Conditions.....	6	<b>10 Device and Documentation Support</b> .....	47
7.4 Thermal Information.....	6	10.1 Documentation Support.....	47
7.5 Insulation Specifications.....	7	10.2 Receiving Notification of Documentation Updates..	47
7.6 Safety-Related Certifications.....	9	10.3 Support Resources.....	47
7.7 Electrical Characteristics.....	9	10.4 Trademarks.....	47
7.8 Safety Limiting Values.....	11	10.5 Electrostatic Discharge Caution.....	47
7.9 Insulation Characteristics.....	12	10.6 Glossary.....	47
7.10 Typical Characteristics.....	13	<b>11 Mechanical, Packaging, and Orderable Information</b> .....	48
<b>8 Detailed Description</b> .....	17		
8.1 Overview.....	17		

## 4 Revision History

NOTE: Page numbers for previous revisions may differ from page numbers in the current version.

Changes from Revision A (March 2023) to Revision B (June 2023)	Page
• Initial release.....	1

## 5 Device Comparison

**Table 5-1. Device Comparison Table**

DEVICE NAME	V <sub>VIN</sub> Range	Output (VDD-VEE) Adjustable Range	Typical power	Isolation rating
UCC14240-Q1	21 V to 27 V	15 V to 25 V	2 W	Basic
UCC14241-Q1	21 V to 27 V	15 V to 25 V	2 W	Reinforced
UCC14140-Q1	8 V to 18 V	15 V to 25 V	1 W	Basic
	10.8 V to 13.2 V	15 V to 25 V	1.5 W	
UCC14141-Q1	8 V to 18 V	15 V to 25 V	1 W	Reinforced
	10.8 V to 13.2 V	15 V to 25 V	1.5 W	
UCC14341-Q1	13.5 V to 16.5 V	15 V to 25 V	1.5 W	Reinforced
UCC14131-Q1	12 V to 15 V	12 V to 15 V	1.5 W	Reinforced
	15 V to 18 V	15 V to 18 V	1.5 W	
	10 V to 18 V	10 V to 12 V	1 W	
	14 V to 18 V	10 V to 18 V	1 W	

## 6 Pin Configuration and Functions

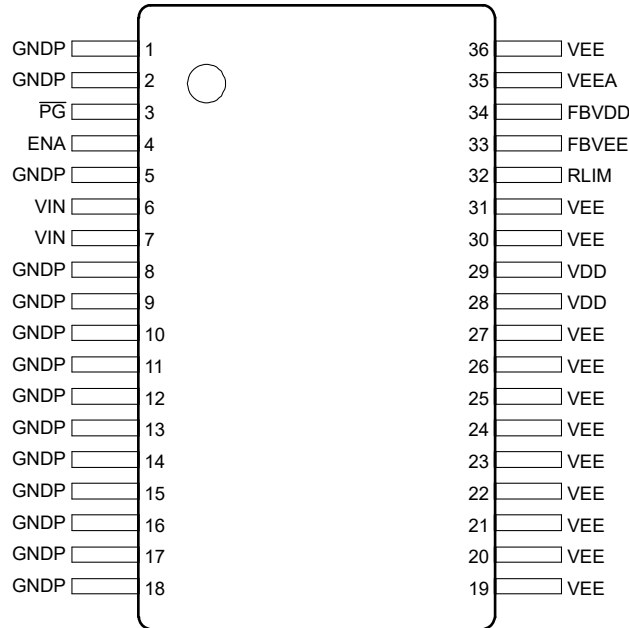


Figure 6-1. DWN Package, 36-Pin SSOP (Top View)

Table 6-1. Pin Functions

PIN		TYPE (1)	DESCRIPTION
NAME	NO.		
GNDP	1, 2, 5, 8, 9, 10, 11, 12, 13, 14, 15, 16, 17, 18	G	Primary-side ground connection for VIN. PIN 1,2, and 5 are analog ground. PIN 8, 9, 10, 11, 12, 13, 14, 15, 16, 17, and 18 are power ground. Place several vias to copper pours for thermal relief. See <a href="#">Layout Guidelines</a> .
$\overline{\text{PG}}$	3	O	Active low power-good open-drain output pin. $\overline{\text{PG}}$ remains low when ( $V_{\text{VIN\_UVLOP}} \leq V_{\text{VIN}} \leq V_{\text{VIN\_OVLOP}}$ ); ( $V_{\text{VDD\_UVP}} \leq V_{\text{FBVDD}} \leq V_{\text{VDD\_OVP}}$ ); ( $V_{\text{VEE\_UVP}} \leq V_{\text{FBVEE}} \leq V_{\text{VEE\_OVP}}$ ); $T_{\text{J\_Primary}} \leq T_{\text{SHUTP\_PRIMARY\_RISE}}$ ; and $T_{\text{J\_secondary}} \leq T_{\text{SHUTS\_SECONDARY\_RISE}}$
ENA	4	I	Enable pin. Forcing ENA LOW disables the device. Pull HIGH to enable normal device functionality. 5.5-V recommended maximum.
VIN	6, 7	P	Primary input voltage. PIN 6 is for analog input, and PIN 7 is for power input. For PIN 7, connect two 10- $\mu\text{F}$ ceramic capacitor from power VIN PIN 7 to power GNDP PIN 8. Connect a 0.1- $\mu\text{F}$ high-frequency bypass ceramic capacitor close to PIN 7 and PIN 8.
VEE	19, 20, 21, 22, 23, 24, 25, 26, 27, 30, 31, 36	G	Secondary-side reference connection for VDD and COM. The VEE pins are used for the high current return paths.

**Table 6-1. Pin Functions (continued)**

PIN		TYPE <sup>(1)</sup>	DESCRIPTION
NAME	NO.		
VDD	28, 29	P	Secondary-side isolated output voltage from transformer. Connect a 10- $\mu$ F and a parallel 0.1- $\mu$ F ceramic capacitor from VDD to VEE. The 0.1- $\mu$ F ceramic capacitor is the high frequency bypass and must be next to the IC pins.
RLIM	32	P	Secondary-side second isolated output voltage resistor to limit the source current from VDD to COM node, and the sink current from COM to VEE. Connect a resistor from RLIM to COM to regulate the (COM – VEE) voltage. See <a href="#">R<sub>LIM</sub> Resistor Selection</a> for more detail.
FBVEE	33	I	Feedback (COM – VEE) output voltage sense pin used to adjust the output (COM – VEE) voltage. Connect a resistor divider from COM to VEE so that the midpoint is connected to FBVEE, and the equivalent FBVEE voltage when regulating is 2.5 V. Add a 330-pF ceramic capacitor for high frequency decoupling in parallel with the low-side feedback resistor. The 330-pF ceramic capacitor for high frequency bypass must be next to the FBVEE and VEEA IC pins on top layer or back layer connected with vias.
FBVDD	34	I	Feedback (VDD – VEE) output voltage sense pin and to adjust the output (VDD – VEE) voltage. Connect a resistor divider from VDD to VEE so that the midpoint is connected to FBVDD, and the equivalent FBVDD voltage when regulating is 2.5 V. Add a 330-pF ceramic capacitor for high frequency decoupling in parallel with the low-side feedback resistor. The 330-pF ceramic capacitor for high frequency bypass must be next to the FBVDD and VEEA IC pins on top layer or back layer connected with vias.
VEEA	35	G	Secondary-side analog sense reference connection for the noise sensitive analog feedback inputs, FBVDD and FBVEE. Connect the low-side feedback resistors and high frequency decoupling filter capacitor close to the VEEA pin and respective feedback pin FBVDD or FBVEE. Connect to secondary-side gate drive lowest voltage reference, VEE. Use a single point connection and place the high frequency decoupling ceramic capacitor close to the VEEA pin. See <a href="#">Layout Guidelines</a> .

(1) P = power, G = ground, I = input, O = output

## 7 Specifications

### 7.1 Absolute Maximum Ratings

over operating free-air temperature range (unless otherwise noted)<sup>(1)</sup>

Parameter		MIN	TYP	MAX	UNIT
	VIN to GNDP	-0.3		32	V
	ENA, $\overline{PG}$ to GNDP	-0.3		7	V
	VDD, VEE, RLIM, FBVDD, FBVEE to VEE	-0.3		32	V
P <sub>OUT_VDD_MAX</sub>	Total (VDD-VEE) output power at T <sub>A</sub> =25°C			2.5	W
I <sub>RLIM_MAX_RMS_SOURCE</sub>	Max RLIM pin rms current sourcing from VDD to RLIM. (16% average run time over lifetime of 24,500 hr)			0.125	A
I <sub>RLIM_MAX_RMS_SINK</sub>	Max RLIM pin rms current sinking from RLIM to VEE. (16% average run time over lifetime of 24,500 hr)			0.125	A
T <sub>J</sub>	Operating junction temperature range	-40		150	°C
T <sub>stg</sub>	Storage temperature	-65		150	°C

- (1) Stresses beyond those listed under *Absolute Maximum Ratings* may cause permanent damage to the device. These are stress ratings only, which do not imply functional operation of the device at these or any other conditions beyond those indicated under *Recommended Operating Conditions*. Exposure to absolute-maximum-rated conditions for extended periods may affect device reliability.

### 7.2 ESD Ratings

			VALUE	UNIT
V <sub>(ESD)</sub>	Electrostatic discharge	Human-body model (HBM), per AEC Q100-002 <sup>(1)</sup>	±2000	V
		Charged-device model (CDM), per AEC Q100-011 Section 7.2	±500	V

- (1) AEC Q100-002 indicates that HBM stressing shall be in accordance with the ANSI/ESDA/JEDEC JS-001 specification.

### 7.3 Recommended Operating Conditions

over operating free-air temperature range (unless otherwise noted)

PIN		MIN	TYP	MAX	UNIT
V <sub>VIN</sub>	Primary-side input voltage to GNDP	8 <sup>(1)</sup>	12	18	V
V <sub>ENA</sub>	Enable to GNDP	0		5.5	V
V <sub>PG</sub>	Powergood to GNDP	0		5.5	V
V <sub>VDD</sub>	VDD to VEE	15		25	V
V <sub>VEE</sub>	COM to VEE	2.5		VDD-VEE	V
V <sub>FBVDD</sub> , V <sub>FBVEE</sub>	FBVDD, FBVEE to VEE	0	2.5	5.5	V
T <sub>A</sub>	Ambient temperature	-40		125	°C
T <sub>J</sub> <sup>(2)</sup>	Junction temperature	-40		150	°C

- (1) See the V<sub>VIN\_UVLOP\_RISING</sub> and V<sub>VIN\_UVLOP\_FALLING</sub> electrical characteristics for the minimum operational V<sub>VIN</sub>. Because V<sub>VIN\_UVLOP\_FALLING</sub> < 8V, V<sub>VIN</sub> can operate at 8V as long as V<sub>VIN</sub> > V<sub>VIN\_UVLOP\_RISING</sub> during start up.
- (2) See the (VDD-VEE) and (COM-VEE) Load Recommended Operating Area section for maximum rated values across temperature and V<sub>VIN</sub> conditions for different (VDD-VEE) and (COM-VEE) output voltage settings.

### 7.4 Thermal Information

THERMAL METRIC <sup>(1)</sup>		DWN (SOIC)	UNIT
		36 PINS	
R <sub>θJA</sub>	Junction-to-ambient thermal resistance	52.3	°C/W
R <sub>θJC(top)</sub>	Junction-to-case (top) thermal resistance	28.5	°C/W
R <sub>θJB</sub>	Junction-to-board thermal resistance	25.9	°C/W

THERMAL METRIC <sup>(1)</sup>		DWN (SOIC)	UNIT
		36 PINS	
$\Psi_{JA}$	Junction-to-ambient characterization parameter	29.5	°C/W
$\Psi_{JT}$	Junction-to-top characterization parameter	16.6	°C/W
$\Psi_{JB}$	Junction-to-board characterization parameter	25.6	°C/W

(1) The thermal resistances (R) are based on JEDEC board, and the characterization parameters ( $\Psi$ ) are based on the EVM described in the Layout section. For more information about traditional and new thermal metrics, see the [Semiconductor and IC Package Thermal Metrics](#) application report.

## 7.5 Insulation Specifications

PARAMETER		TEST CONDITIONS	VALUE	UNIT
<b>General</b>				
CLR	External clearance <sup>(1)</sup>	Shortest terminal-to-terminal distance through air	> 8	mm
CPG	External creepage <sup>(1)</sup>	Shortest terminal-to-terminal distance across the package surface	> 8	mm
DTI	Distance through the insulation	Minimum internal gap (internal clearance – transformer power isolation)	> 120	$\mu\text{m}$
		Minimum internal gap (internal clearance – capacitive signal isolation)	> 15.4	$\mu\text{m}$
CTI	Comparative tracking index	DIN EN 60112 (VDE 0303-11); IEC 60112	> 600	V
	Material group	According to IEC 60664-1	I	
	Overvoltage category	Rated mains voltage $\leq 300 V_{RMS}$	I-IV	
		Rated mains voltage $\leq 600 V_{RMS}$	I-IV	
		Rated mains voltage $\leq 1000 V_{RMS}$	I-III	
<b>DIN EN IEC 60747-17 (VDE 0884-17) (Planned Certification Targets) <sup>(2)</sup></b>				
$V_{IORM}$	Maximum repetitive peak isolation voltage	AC voltage (bipolar)	1414	$V_{PK}$
$V_{IOWM}$	Maximum working isolation voltage	AC voltage (sine wave) Time dependent dielectric breakdown (TDDb) test	1000	$V_{RMS}$
		DC voltage	1414	$V_{DC}$
$V_{IOTM}$	Maximum transient isolation voltage	$V_{TEST} = V_{IOTM}$ , $t = 60\text{s}$ (qualification); $V_{TEST} = 1.2 \times V_{IOTM}$ , $t = 1\text{s}$ (100% production)	7071	$V_{PK}$
$V_{IMP}$	Maximum impulse voltage <sup>(3)</sup>	Tested in air, 1.2/50- $\mu\text{s}$ waveform per IEC 62368-1	7692	$V_{PK}$
$V_{IOSM}$	Maximum surge isolation voltage <sup>(3)</sup>	Tested in oil (qualification test), 1.2/50 $\mu\text{s}$ waveform per IEC 62368-1	10000	$V_{PK}$
qpd	Apparent charge <sup>(4)</sup>	Method a: After I/O safety test subgroup 2/3, $V_{ini} = V_{IOTM}$ , $t_{ini} = 60\text{s}$ ; $V_{pd(m)} = 1.2 \times V_{IORM} = 1696 V_{PK}$ , $t_m = 10\text{s}$	$\leq 5$	pC
		Method a: After environmental tests subgroup 1, $V_{ini} = V_{IOTM}$ , $t_{ini} = 60\text{s}$ ; $V_{pd(m)} = 1.6 \times V_{IORM} = 2262 V_{PK}$ , $t_m = 10\text{s}$	$\leq 5$	pC
		Method b1: At routine test (100% production) and preconditioning (type test) $V_{ini} = 1.2 \times V_{IOTM}$ , $t_{ini} = 1\text{s}$ ; $V_{pd(m)} = 1.875 \times V_{IORM} = 2651 V_{PK}$ , $t_m = 1\text{s}$	$\leq 5$	pC
$C_{IO}$	Barrier capacitance, input to output <sup>(5)</sup>	$V_{IO} = 0.4 \sin(2\pi f t)$ , $f = 1\text{MHz}$	< 3.5	pF
$R_{IO}$	Isolation resistance, input to output <sup>(5)</sup>	$V_{IO} = 500\text{V}$ , $T_A = 25^\circ\text{C}$	$> 10^{12}$	$\Omega$
		$V_{IO} = 500\text{V}$ , $100^\circ\text{C} \leq T_A \leq 125^\circ\text{C}$	$> 10^{11}$	$\Omega$
		$V_{IO} = 500\text{V}$ at $T_S = 150^\circ\text{C}$	$> 10^9$	$\Omega$
	Pollution degree		2	
	Climatic category		40/125/21	
<b>UL 1577 (Planned Certification Target)</b>				

PARAMETER		TEST CONDITIONS	VALUE	UNIT
$V_{ISO}$	Withstand isolation voltage	$V_{TEST} = V_{ISO} = 5000 V_{RMS}, t = 60 \text{ s}$ (qualification); $V_{TEST} = 1.2 \times V_{ISO} = 6000 V_{RMS}, t = 1 \text{ s}$ (100% production)	5000	$V_{RMS}$

- (1) Creepage and clearance requirements should be applied according to the specific equipment isolation standards of an application. Care should be taken to maintain the creepage and clearance distance of a board design to ensure that the mounting pads of the isolator on the printed-circuit board do not reduce this distance. Creepage and clearance on a printed-circuit board become equal in certain cases. Techniques such as inserting grooves and/or ribs on a printed-circuit board are used to help increase these specifications.
- (2) This coupler is suitable for *safe electrical insulation* only within the maximum operating ratings. Compliance with the safety ratings shall be ensured by means of suitable protective circuits.
- (3) Testing is carried out in air to determine the surge immunity of the package. Testing is carried out in oil to determine the intrinsic surge immunity of the isolation barrier.
- (4) Apparent charge is electrical discharge caused by a partial discharge (pd).
- (5) All pins on each side of the barrier tied together creating a two-terminal device.

## 7.6 Safety-Related Certifications

VDE	UL	CQC
Plan to certify according to DIN EN IEC 60747-17 (VDE 0884-17)	Plan to certify under UL 1577 Component Recognition Program	Plan to certify according to GB4943.1
Reinforced insulation Maximum transient isolation voltage, 7071 V <sub>PK</sub> ; Maximum repetitive peak isolation voltage, 1414 V <sub>PK</sub> ; Maximum surge isolation voltage, 10000 V <sub>PK</sub>	Single protection, 5000 V <sub>RMS</sub>	Reinforced insulation, Altitude ≤ 5000 m, Tropical Climate, 700 V <sub>RMS</sub> maximum working voltage
Certificate number: (planned)	File number: (planned)	Certificate number: (planned)

## 7.7 Electrical Characteristics

Over operating temperature range ( $T_J = -40\text{ }^\circ\text{C}$  to  $150\text{ }^\circ\text{C}$ ),  $V_{VIN} = 8\text{ V}$  to  $18\text{ V}$ ,  $C_{IN} = 20\text{ }\mu\text{F}$ ,  $C_{OUT} = 10\text{ }\mu\text{F}$ ,  $R_{LIM} = 1\text{ k}\Omega$ ,  $V_{ENA} = 5\text{ V}$ , unless otherwise noted. All typical values at  $T_A = 25\text{ }^\circ\text{C}$  and  $V_{VIN} = 12\text{ V}$ .

PARAMETER		TEST CONDITIONS	MIN	TYP	MAX	UNIT
<b>INPUT SUPPLY (Primary-side. All voltages with respect to GNDP)</b>						
$V_{VIN}$	Input voltage range, 0.7W@(VDD-VEE)=25V, $T_A=85^\circ\text{C}$	Primary-side input voltage to GNDP	8 <sup>(1)</sup>	12	18	V
	Input voltage range, 1.2W@(VDD-VEE)=25V, $T_A=85^\circ\text{C}$	Primary-side input voltage to GNDP	11.4	12	12.6	V
$I_{VIN\_OFF}$	VIN quiescent current, disabled	$V_{ENA} = 0\text{ V}$ ; $V_{VIN} = 8\text{ V-}18\text{ V}$ ;			600	$\mu\text{A}$
$I_{VIN\_ON\_NO\_LOAD}$	VIN operating current, enabled, No Load	$V_{ENA} = 5\text{ V}$ ; $V_{VIN} = 8\text{ V-}18\text{ V}$ ; (VDD-VEE) = 25 V regulating; $I_{VDD-VEE} = 0\text{ mA}$ . Single Output.			40	mA
$I_{VIN\_ON\_FULL\_LOAD}$	VIN operating current, enabled, Full Load	$V_{ENA} = 5\text{ V}$ ; $V_{VIN} = 8\text{ V-}18\text{ V}$ ; (VDD-VEE) = 25-V regulating; $I_{VDD-VEE} = 40\text{ mA}$ . Single Output.		200		mA
	VIN operating current, enabled, Full Load	$V_{ENA} = 5\text{ V}$ ; $V_{VIN} = 11.4\text{ V-}12.6\text{ V}$ ; (VDD-VEE) = 25-V regulating; $I_{VDD-VEE} = 60\text{ mA}$ . Single Output.		270		mA
<b>UVLOP COMPARATOR (Primary-side. All voltages with respect to GNDP)</b>						
$V_{VIN\_UVLOP\_RISING}$	VIN analog undervoltage lockout rising threshold	Analog Comparator Always Active First	7.8	8.2	8.5	V
$V_{VIN\_UVLOP\_FALLING}$	VIN analog undervoltage lockout falling threshold	Analog Comparator Always Active First	7	7.4	7.7	V
<b>OVLO COMPARATOR (Primary-side. All voltages with respect to GNDP)</b>						
$V_{VIN\_OVLO\_RISING}$	VIN overvoltage lockout rising threshold		20.9	22	23.1	V
$V_{VIN\_OVLO\_FALLING}$	VIN overvoltage lockout falling threshold		19	20	21	V
<b>TSHUTP THERMAL SHUTDOWN COMPARATOR (Primary-side. All voltages with respect to GNDP)</b>						
$TSHUTP_{PRIMARY\_RISING}$	Primary-side over-temperature shutdown rising threshold	First time at power-up $T_J$ needs to be < $140\text{ }^\circ\text{C}$ to turnon	150	160	170	$^\circ\text{C}$
$TSHUTP_{PRIMARY\_HYST}$	Primary-side over-temperature shutdown hysteresis		15	20	25	$^\circ\text{C}$
<b>ENA INPUT PIN (Primary-side. All voltages with respect to GNDP)</b>						
$V_{EN\_IR}$	Input voltage rising threshold, logic HIGH	Rising edge			2.1	V
$V_{EN\_IF}$	Input voltage falling threshold, logic LOW	Falling edge	0.8			V
$I_{EN}$	Enable Pin Input Current	$V_{ENA} = 5.0\text{ V}$		5	10	$\mu\text{A}$
<b>PG OPEN-DRAIN OUTPUT PIN (Primary-side. All voltages with respect to GNDP)</b>						
$V_{PG\_OUT\_LO}$	$\overline{\text{PG}}$ output-low saturation voltage	Sink Current = 5 mA, power good			0.5	V
$I_{PG\_OUT\_HI}$	$\overline{\text{PG}}$ Leakage current	$V_{PG} = 5.5\text{ V}$ , power not good			5	$\mu\text{A}$
<b>Primary-side Control (All voltages with respect to GNDP)</b>						

Over operating temperature range ( $T_J = -40\text{ }^\circ\text{C}$  to  $150\text{ }^\circ\text{C}$ ),  $V_{VIN} = 8\text{ V}$  to  $18\text{ V}$ ,  $C_{IN} = 20\text{ }\mu\text{F}$ ,  $C_{OUT} = 10\text{ }\mu\text{F}$ ,  $R_{LIM} = 1\text{ k}\Omega$ ,  $V_{ENA} = 5\text{ V}$ , unless otherwise noted. All typical values at  $T_A = 25\text{ }^\circ\text{C}$  and  $V_{VIN} = 12\text{ V}$ .

PARAMETER		TEST CONDITIONS	MIN	TYP	MAX	UNIT
$F_{SW}$	Switching frequency	$V_{VIN} = 12\text{ V}$ ; $V_{ENA} = 5\text{ V}$ ; (VDD-VEE) = $25\text{ V}$		16		MHz
$F_{SSM}$	Frequency of Spread Spectrum Modulation (SSM) triangle waveform	Only during primary-side startup starting after $V_{IN} > UVLOP$ , and $ENA = HIGH$ ; $F_{SS\_BURST\_P} = 125\text{ kHz}$		90		kHz
SSM Percentage change of $F_{CARRIER}$	SSM Percent change of carrier frequency during Spread Spectrum Modulation (SSM) by triangle waveform	Only during primary-side startup starting after $V_{IN} > UVLOP$ , and $ENA = HIGH$ ; $F_{SS\_BURST\_P} = 125\text{ kHz}$		5		%
$t_{SOFT\_START\_TIME\_OUT}$	Primary-side soft-start time-out	Timer begins when $V_{IN} > UVLOP$ and $ENA = High$ and reset when Powergood pin indicates Good		28.4		ms
<b>(VDD-VEE) OUTPUT VOLTAGE (Secondary-side. All voltages with respect to VEE)</b>						
$V_{VDD\_RANGE}$	(VDD – VEE) Output voltage range		15		25	V
$V_{VDD\_DC\_ACCURACY}$	(VDD – VEE) Output voltage DC regulation accuracy	Secondary-side (VDD – VEE) output voltage, over load, line and temperature range, externally adjust with external resistor divider, within SOA range.	-1.3		1.3	%
<b>(VDD-VEE) REGULATION HYSTERETIC COMPARATOR (Secondary-side. All voltages with respect to VEE)</b>						
$V_{FBVDD\_REF}$	Feedback regulation reference voltage for (VDD – VEE)	(VDD – VEE) output in regulation	2.4675	2.5	2.5325	V
$V_{FBVDD\_HYSTCMP\_HYST}$	(VDD-VEE) Hysteresis comparator hysteresis settings. Hysteresis at the VFBVDD pin.	Hysteresis Setting	9	10	12.3	mV
<b>(COM-VEE) OUTPUT VOLTAGE (Secondary-side. All voltages with respect to VEE)</b>						
$V_{VEE\_RANGE}$	(COM – VEE) Output voltage range	Secondary-side (COM – VEE), adjust with external resistor divider	2.5		(VDD-VEE)	V
$V_{VEE\_DC\_ACURACY}$	(COM - VEE) Output voltage DC regulation accuracy	Secondary-side (COM – VEE) output voltage, over load, line and temperature range, externally adjust with external resistor divider	-1.3		1.3	%
<b>(COM-VEE) REGULATION HYSTERETIC COMPARATOR (Secondary-side. All voltages with respect to VEE)</b>						
$V_{FBVEE\_REF}$	Feedback regulation reference voltage for (COM – VEE)	(COM – VEE) output in regulation	2.4675	2.5	2.5325	V
$V_{RLIM\_SHORT\_CHRG\_CMP\_RISE}$	Rlim Short Charge comparator rising threshold to exit PWM	Rising threshold		0.73		V
$t_{RLIM\_SHORT\_CHRG\_ON\_TIME}$	On-Time during RLIM pin Short Charge PWM mode	RLIM pin $< 0.645\text{ V}$ , while FBVEE pin $< 2.48\text{ V}$		1.1		us
$t_{RLIM\_SHORT\_CHRG\_OFF\_TIME}$	Off-Time during RLIM pin Short Charge PWM mode	RLIM pin $< 0.645\text{ V}$ , while FBVEE pin $< 2.48\text{ V}$		5		us
<b>(VDD-VEE) UVLOs COMPARTOR (Secondary-side. All voltages with respect to VEE)</b>						
$V_{VDD\_UVLOS\_RISING}$	(VDD – VEE) undervoltage lockout rising threshold	Voltage at FBVDD		0.9		V
$V_{VDD\_UVLOS\_HYST}$	(VDD – VEE) undervoltage lockout hysteresis	Voltage at FBVDD		0.2		V
<b>(VDD-VEE) OVLOs COMPARTOR (Secondary-side. All voltages with respect to VEE)</b>						
$V_{VDD\_OVLOS\_RISING}$	(VDD – VEE) over-voltage lockout rising threshold	Voltage from VDD to VEE, rising	29.45	31	32.55	V
$V_{VDD\_OVLOS\_FALLING}$	(VDD – VEE) over-voltage lockout falling threshold	Voltage from VDD to VEE, falling	27.55	29	30.45	V
<b>SOFT-START (Secondary-side. All voltages with respect to VEE)</b>						

Over operating temperature range ( $T_J = -40\text{ }^\circ\text{C}$  to  $150\text{ }^\circ\text{C}$ ),  $V_{VIN} = 8\text{ V}$  to  $18\text{ V}$ ,  $C_{IN} = 20\text{ }\mu\text{F}$ ,  $C_{OUT} = 10\text{ }\mu\text{F}$ ,  $R_{LIM} = 1\text{ k}\Omega$ ,  $V_{ENA} = 5\text{ V}$ , unless otherwise noted. All typical values at  $T_A = 25\text{ }^\circ\text{C}$  and  $V_{VIN} = 12\text{ V}$ .

PARAMETER		TEST CONDITIONS	MIN	TYP	MAX	UNIT
$t_{\text{degitch}}$	Degitch time during soft start before PG for (VDD-VEE) UVP and (COM-VEE) UVP & OVP			3		ms
<b>(VDD-VEE) UVP, UNDER -VOLTAGE PROTECTION COMPARATOR (Secondary-side. All voltages with respect to VEE)</b>						
$V_{VDD\_UVP\_RISING}$	(VDD – VEE) under-voltage protection rising threshold, $V_{UVP} = V_{REF} \times 90\%$		2.175	2.25	2.35	V
$V_{VDD\_UVP\_HYST}$	(VDD – VEE) under-voltage protection hysteresis			20		mV
<b>(VDD-VEE) OVP, OVER-VOLTAGE PROTECTION COMPARATOR (Secondary-side. All voltages with respect to VEE)</b>						
$V_{VDD\_OVP\_RISING}$	(VDD – VEE) over-voltage protection rising threshold, $V_{OVP} = V_{REF} \times 110\%$		2.7	2.75	2.825	V
$V_{VDD\_OVP\_HYST}$	(VDD – VEE) over-voltage protection hysteresis			20		mV
<b>(COM-VEE) UVP, UNDER -VOLTAGE PROTECTION COMPARATOR (Secondary-side. All voltages with respect to VEE)</b>						
$V_{VEE\_UVP\_RISING}$	(COM – VEE) under-voltage protection rising threshold, $V_{UVP} = V_{REF} \times 90\%$		2.1	2.25	2.4	V
$V_{VEE\_UVP\_HYST}$	(COM – VEE) under-voltage protection hysteresis			20		mV
<b>(COM-VEE) OVP, OVER-VOLTAGE PROTECTION COMPARATOR (Secondary-side. All voltages with respect to VEE)</b>						
$V_{VEE\_OVP\_RISING}$	(COM – VEE) over-voltage protection rising threshold, $V_{OVP} = V_{REF} \times 110\%$		2.7	2.75	2.825	V
$V_{VEE\_OVP\_HYST}$	(COM – VEE) over-voltage protection hysteresis			20		mV
<b>TSHUTS THERMAL SHUTDOWN COMPARATOR (Secondary-side. All voltages with respect to VEE)</b>						
$TSHUTS_{SECONDARY\_RISE}$	Secondary -side over-temperature shutdown rising threshold	First time at power-up $T_J$ needs to be $< 140\text{ }^\circ\text{C}$ to turnon.	150	160	170	$^\circ\text{C}$
$TSHUTS_{SECONDARY\_HYST}$	Secondary-side over-temperature shutdown hysteresis		15	20	25	$^\circ\text{C}$
<b>CMTI (Common Mode Transient Immunity)</b>						
CMTI	Common Mode Transient Immunity	Positive VEE with respect to GNDP	150			V/ns
		Negative VEE with respect to GNDP			-150	V/ns
<b>INTEGRATED MAGLAM TRANSFORMER (Primary-side to Secondary-side. Note: these values unique for each version of XFMR)</b>						
N	Transformer effective turns ratio	Secondary side to primary side		2.72		-

- (1) See the  $V_{VIN\_UVLOP\_RISING}$  and  $V_{VIN\_UVLOP\_FALLING}$  electrical characteristics for the minimum operational  $V_{VIN}$ . Because  $V_{VIN\_UVLOP\_FALLING} < 8\text{ V}$ ,  $V_{VIN}$  can operate at  $8\text{ V}$  as long as  $V_{VIN} > V_{VIN\_UVLOP\_RISING}$  during start up.

## 7.8 Safety Limiting Values

PARAMETER		TEST CONDITIONS	MAX	UNIT
$I_S$	Safety input rms current	$R_{\theta JA} = 52.3\text{ }^\circ\text{C/W}$ , $V_{VIN} = 18\text{ V}$ , $T_J = 150\text{ }^\circ\text{C}$ , $T_A = 25\text{ }^\circ\text{C}$ , $P_{OUT} = 1.5\text{ W}$ (1) (2)	220	mA
		$R_{\theta JA} = 52.3\text{ }^\circ\text{C/W}$ , $V_{VIN} = 8\text{ V}$ , $T_J = 150\text{ }^\circ\text{C}$ , $T_A = 25\text{ }^\circ\text{C}$ , $P_{OUT} = 1.2\text{ W}$ (1) (2)	450	mA
$P_S$	Safety power dissipation (input power - output power)	$R_{\theta JA} = 52.3\text{ }^\circ\text{C/W}$ , $T_J = 150\text{ }^\circ\text{C}$ , $T_A = 25\text{ }^\circ\text{C}$ (1) (2)	2.39	W
$T_S$	Safety temperature	(1) (2)	150	$^\circ\text{C}$

- (1) The maximum safety temperature,  $T_S$ , has the same value as the maximum junction temperature,  $T_J$ , specified for the device. The  $I_S$  and  $P_S$  parameters represent the safety current and safety power dissipation respectively. The maximum limits of  $I_S$  and  $P_S$  should not be exceeded. These limits vary with the ambient temperature,  $T_A$ .

- (2) The junction-to-air thermal resistance,  $R_{\theta JA}$ , in the Thermal Information table is that of a device installed on a high-K JEDEC test board for leaded surface-mount packages. Use these equations to calculate the value for each parameter:  $T_J = T_A + R_{\theta JA} \times P$ , where P is the power dissipated in the device.  $T_{J(max)} = T_S = T_A + R_{\theta JA} \times P_S$ , where  $T_{J(max)}$  is the maximum allowed junction temperature.

### 7.9 Insulation Characteristics

Insulation lifetime projection data is collected by using industry-standard Time Dependent Dielectric Breakdown (TDDB) test method. In this test, all pins on each side of the barrier are tied together creating a two-terminal device and high voltage applied between the two sides; The insulation breakdown data is collected at various high voltages switching at 60 Hz over temperature. For reinforced insulation, VDE standard requires the use of TDDB projection line with failure rate of less than 1 part per million (ppm). Even though the expected minimum insulation lifetime is 20 years at the specified working isolation voltage, VDE reinforce certification requires additional safety margin of 20% for working voltage and 50% for lifetime which translates into minimum required insulation lifetime of 30 years at a working voltage that's 20% higher than the specified value. The TDDB projection line shows the intrinsic capability of the isolation barrier to withstand high voltage stress over its lifetime. Based on the TDDB data, the intrinsic capability of the insulation is 1000  $V_{RMS}$  with a lifetime  $\gg 100$  years.

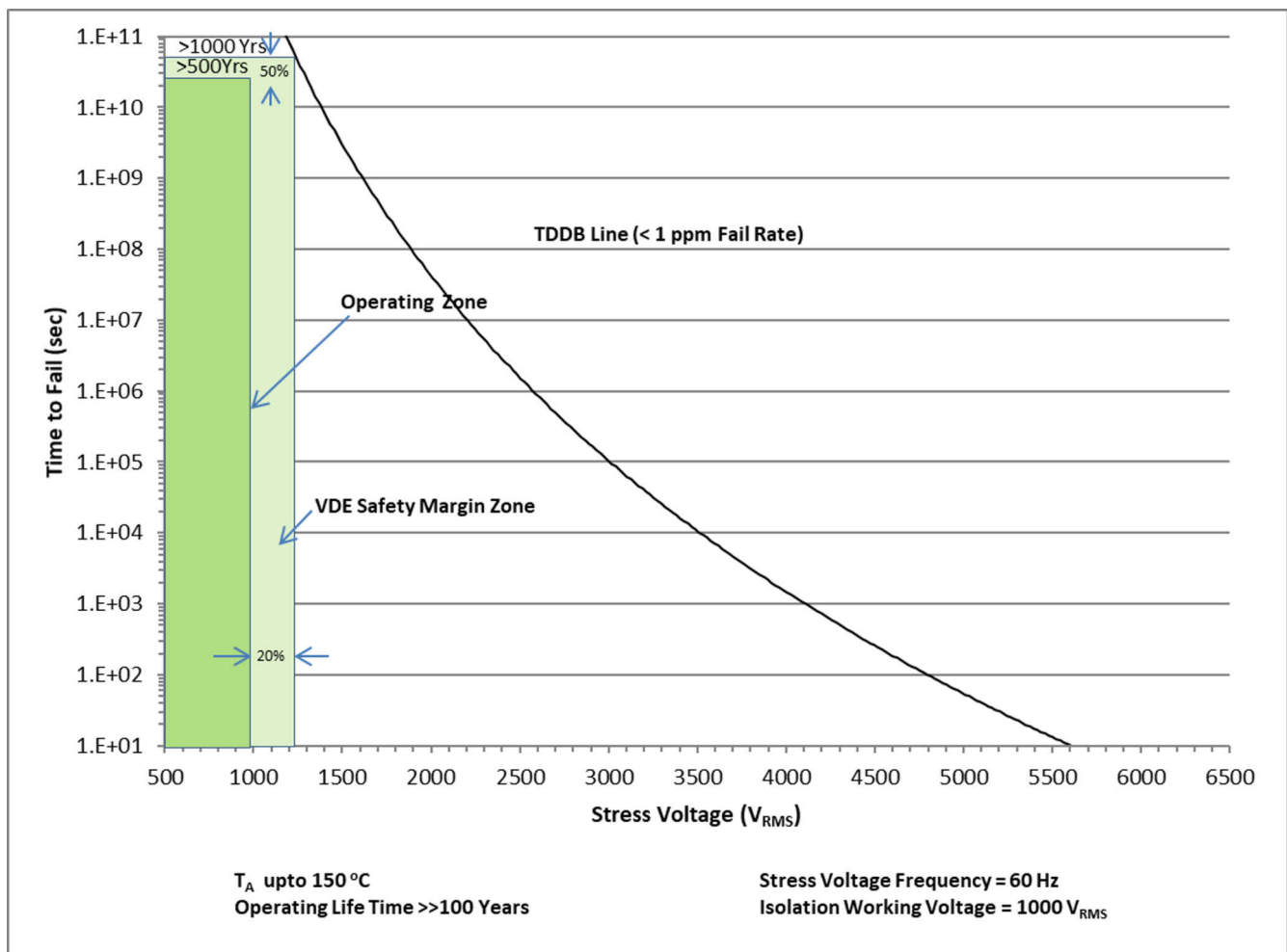
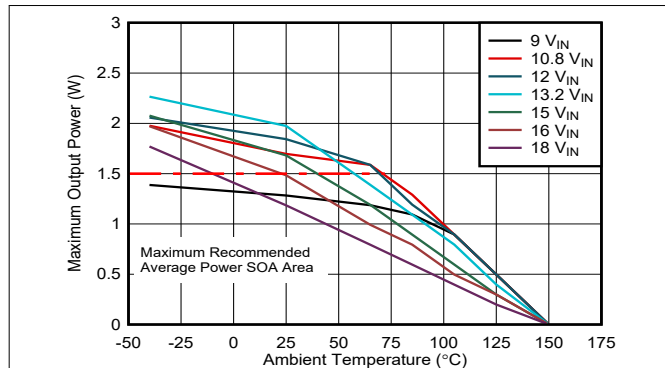


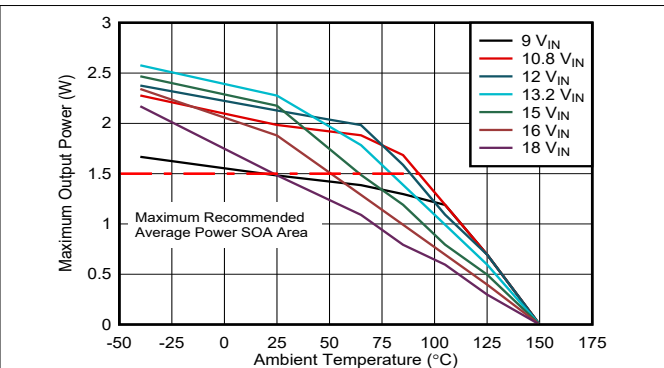
Figure 7-1. TDDB: Insulation Lifetime Projection for 1000 Vrms Working Voltage.

## 7.10 Typical Characteristics

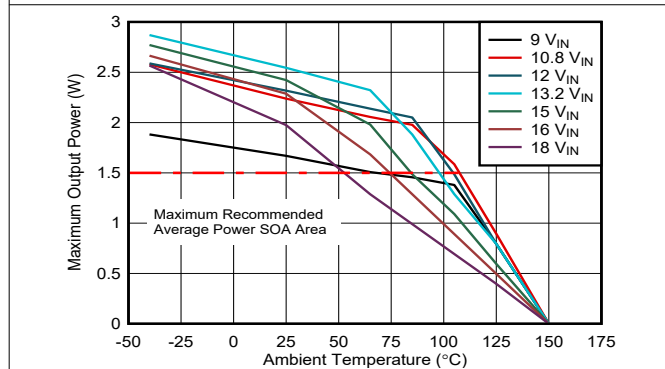
The maximum recommended average power safe operating area (SOA) at each  $V_{in}$  is determined by the lower value of the 1.5W limit (dotted line) and the corresponding thermal derating curve (solid line) at that input voltage. It is not recommended to operate at an ambient temperature higher than 125°C. The thermal derating power is acquired with an evaluation board similar to the EVM shown in the Section 9.5.2 section.  $T_{shut}$  represents the primary-side over-temperature shutdown rising threshold. As shown in the Electrical Characteristics table, the typical  $T_{shut}$  value is 160°C, and minimal  $T_{shut}$  value is 150°C. The SOA derating curve with both  $T_{shut} = 160^\circ\text{C}$  and  $150^\circ\text{C}$  are provided below. The SOA curves under four common VDD-VEE settings, 15V, 18V, 22V, and 25V are characterized. In each SOA curve, the input voltage is swept from 9V to 18V. To represent a worst-case condition with  $T_{shut} = 150^\circ\text{C}$ , the test is done in a shielded box to block circulating air in the thermal chamber.



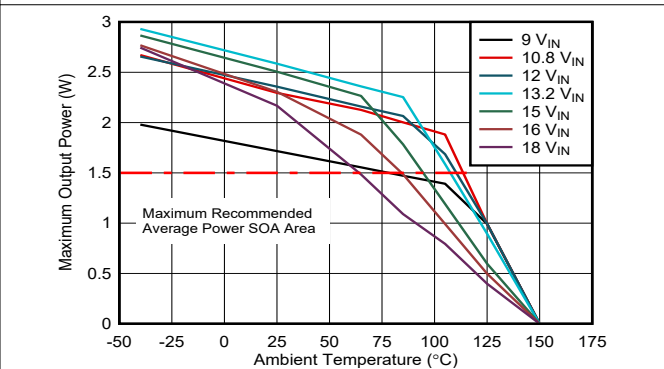
**Figure 7-2. SOA Derating Curves:  $V_{D\bar{D}-V\bar{E}E} = 15\text{ V}$ ,  $V_{C\bar{O}M-V\bar{E}E} = 5\text{ V}$ ,  $T_{shut}=160^\circ\text{C}$ , No Load on  $V_{C\bar{O}M-V\bar{E}E}$**



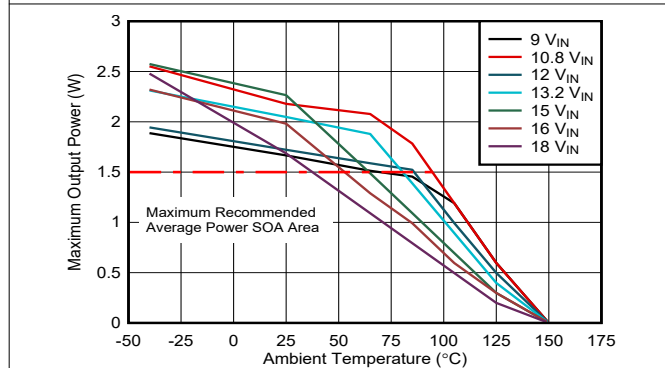
**Figure 7-3. SOA Derating Curves:  $V_{D\bar{D}-V\bar{E}E} = 18\text{ V}$ ,  $V_{C\bar{O}M-V\bar{E}E} = 3\text{ V}$ ,  $T_{shut}=160^\circ\text{C}$ , No Load on  $V_{C\bar{O}M-V\bar{E}E}$**



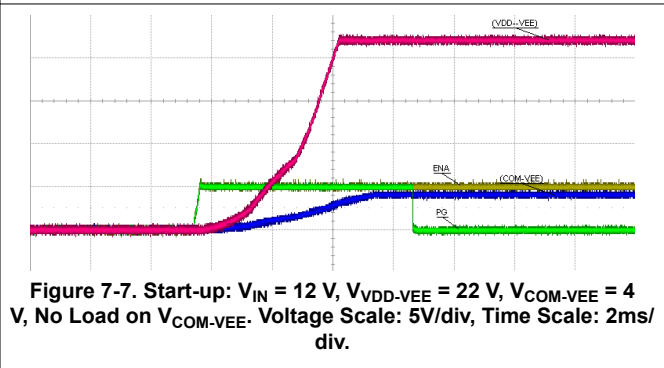
**Figure 7-4. SOA Derating Curves:  $V_{D\bar{D}-V\bar{E}E} = 22\text{ V}$ ,  $V_{C\bar{O}M-V\bar{E}E} = 4\text{ V}$ ,  $T_{shut}=160^\circ\text{C}$ , No Load on  $V_{C\bar{O}M-V\bar{E}E}$**



**Figure 7-5. SOA Derating Curves:  $V_{D\bar{D}-V\bar{E}E} = 25\text{ V}$ ,  $V_{C\bar{O}M-V\bar{E}E} = 5\text{ V}$ ,  $T_{shut}=160^\circ\text{C}$ , No Load on  $V_{C\bar{O}M-V\bar{E}E}$**

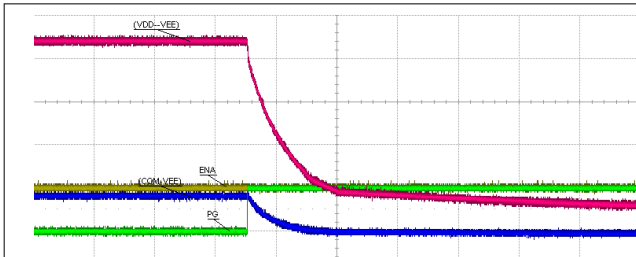


**Figure 7-6. SOA Derating Curves:  $V_{D\bar{D}-V\bar{E}E} = 22\text{ V}$ ,  $V_{C\bar{O}M-V\bar{E}E} = 4\text{ V}$ ,  $T_{shut}=150^\circ\text{C}$ , No Load on  $V_{C\bar{O}M-V\bar{E}E}$ , tested in a shielded box.**

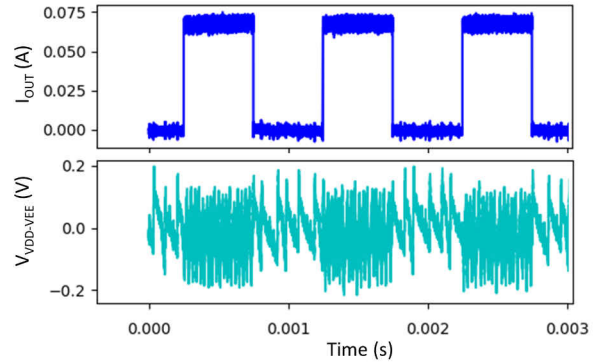


**Figure 7-7. Start-up:  $V_{IN} = 12\text{ V}$ ,  $V_{D\bar{D}-V\bar{E}E} = 22\text{ V}$ ,  $V_{C\bar{O}M-V\bar{E}E} = 4\text{ V}$ , No Load on  $V_{C\bar{O}M-V\bar{E}E}$ . Voltage Scale: 5V/div, Time Scale: 2ms/div.**

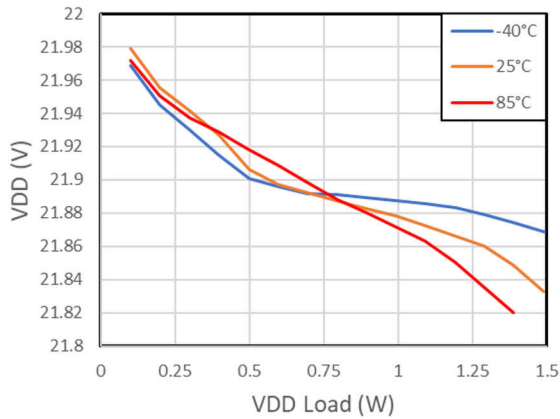
### 7.10 Typical Characteristics (continued)



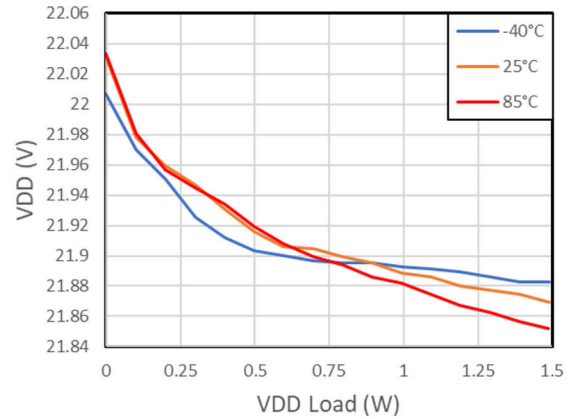
**Figure 7-8. Shutdown:**  $V_{IN} = 12\text{ V}$ ,  $V_{VDD-VEE} = 22\text{ V}$ ,  $V_{COM-VEE} = 4\text{ V}$ , No Load on  $V_{COM-VEE}$ . Voltage Scale: 5V/div, Time Scale: 50ms/div.



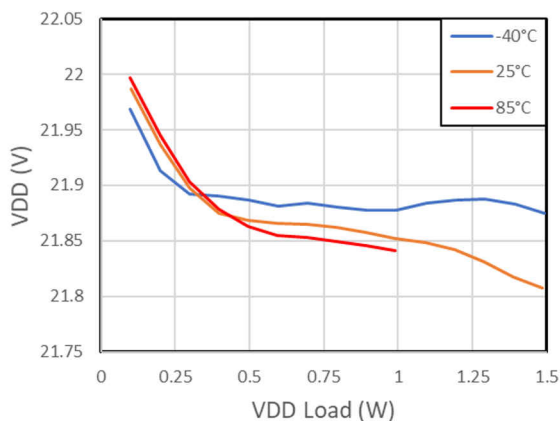
**Figure 7-9. Load Transient Response: Between No Load and 1.5W,**  $V_{IN} = 12\text{ V}$ ,  $V_{VDD-VEE} = 22\text{ V}$ ,  $V_{COM-VEE} = 4\text{ V}$



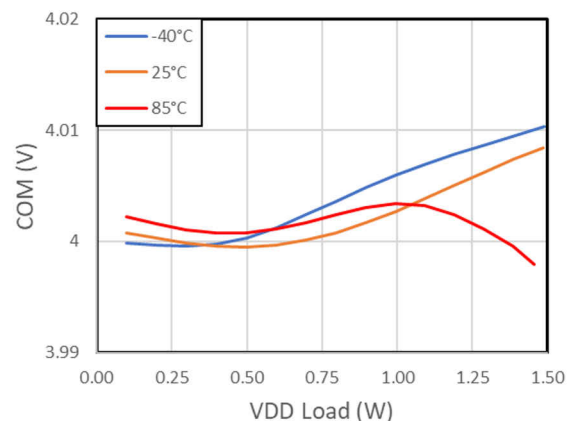
**Figure 7-10.  $V_{VDD-VEE}$  Load Regulation:**  $V_{IN} = 9\text{ V}$ ,  $V_{VDD-VEE} = 22\text{ V}$ ,  $V_{COM-VEE} = 4\text{ V}$



**Figure 7-11.  $V_{VDD-VEE}$  Load Regulation:**  $V_{IN} = 12\text{ V}$ ,  $V_{VDD-VEE} = 22\text{ V}$ ,  $V_{COM-VEE} = 4\text{ V}$

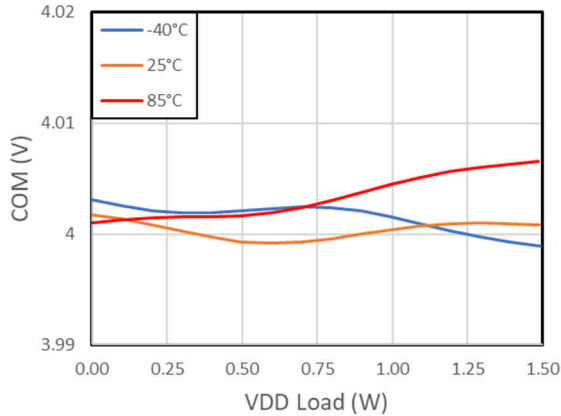


**Figure 7-12.  $V_{VDD-VEE}$  Load Regulation:**  $V_{IN} = 18\text{ V}$ ,  $V_{VDD-VEE} = 22\text{ V}$ ,  $V_{COM-VEE} = 4\text{ V}$

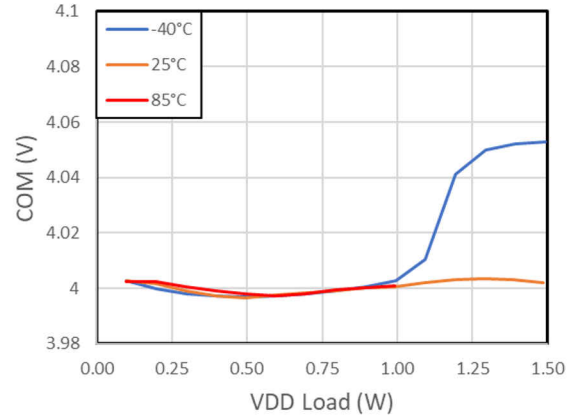


**Figure 7-13.  $V_{COM-VEE}$  Load Regulation:**  $V_{IN} = 9\text{ V}$ ,  $V_{VDD-VEE} = 22\text{ V}$ ,  $V_{COM-VEE} = 4\text{ V}$

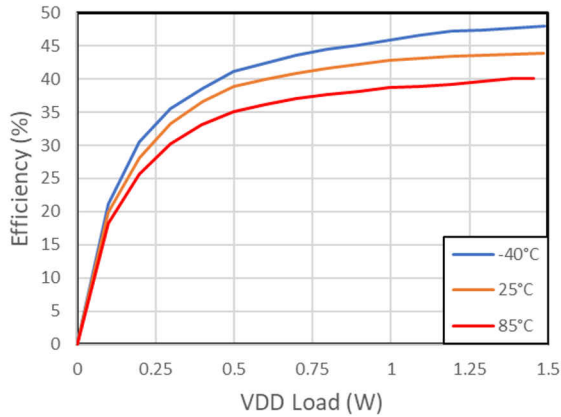
**7.10 Typical Characteristics (continued)**



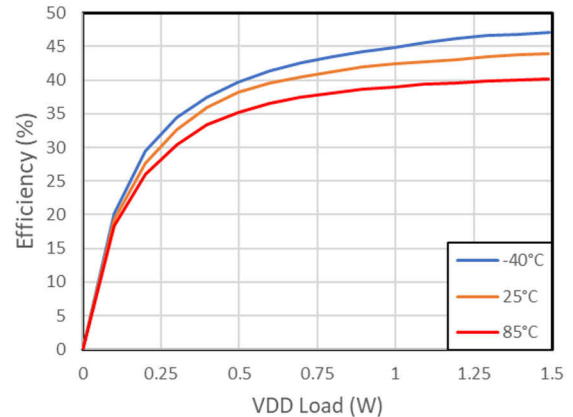
**Figure 7-14.  $V_{COM-VEE}$  Load Regulation:  $V_{IN} = 12\text{ V}$ ,  $V_{VDD-VEE} = 22\text{ V}$ ,  $V_{COM-VEE} = 4\text{ V}$**



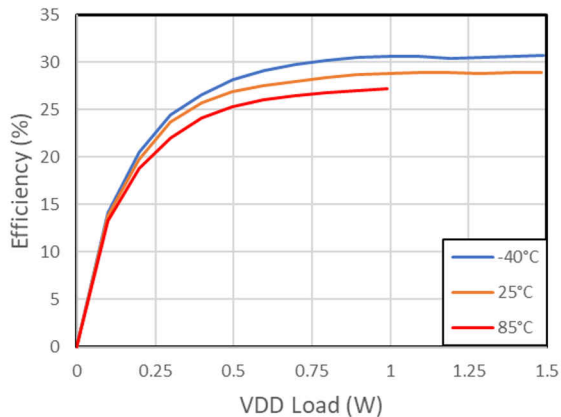
**Figure 7-15.  $V_{COM-VEE}$  Load Regulation:  $V_{IN} = 18\text{ V}$ ,  $V_{VDD-VEE} = 22\text{ V}$ ,  $V_{COM-VEE} = 4\text{ V}$**



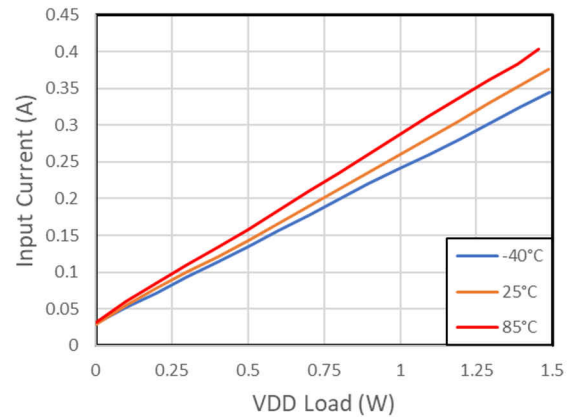
**Figure 7-16. Efficiency vs. Load on  $V_{VDD-VEE}$ :  $V_{IN} = 9\text{ V}$ ,  $V_{VDD-VEE} = 22\text{ V}$ ,  $V_{COM-VEE} = 4\text{ V}$ , No Load on  $V_{COM-VEE}$**



**Figure 7-17. Efficiency vs. Load on  $V_{VDD-VEE}$ :  $V_{IN} = 12\text{ V}$ ,  $V_{VDD-VEE} = 22\text{ V}$ ,  $V_{COM-VEE} = 4\text{ V}$ , No Load on  $V_{COM-VEE}$**



**Figure 7-18. Efficiency vs. Load on  $V_{VDD-VEE}$ :  $V_{IN} = 18\text{ V}$ ,  $V_{VDD-VEE} = 22\text{ V}$ ,  $V_{COM-VEE} = 4\text{ V}$ , No Load on  $V_{COM-VEE}$**



**Figure 7-19. Input Current vs. Load on  $V_{VDD-VEE}$ :  $V_{IN} = 9\text{ V}$ ,  $V_{VDD-VEE} = 22\text{ V}$ ,  $V_{COM-VEE} = 4\text{ V}$ , No Load on  $V_{COM-VEE}$**

### 7.10 Typical Characteristics (continued)

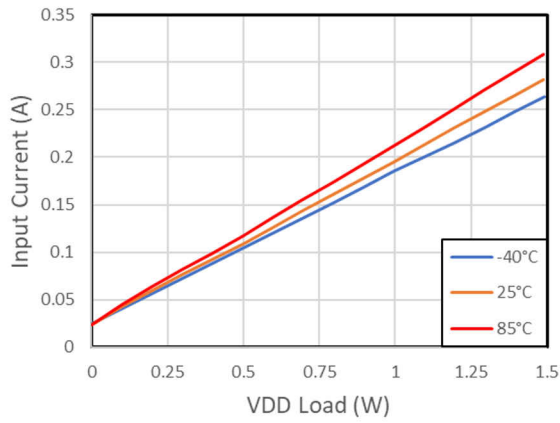


Figure 7-20. Input Current vs. Load on  $V_{DD-VEE}$ :  $V_{IN} = 12\text{ V}$ ,  $V_{VDD-VEE} = 22\text{ V}$ ,  $V_{COM-VEE} = 4\text{ V}$ , No Load on  $V_{COM-VEE}$

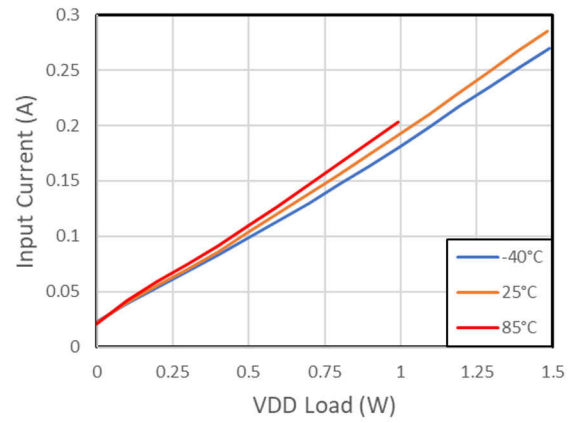


Figure 7-21. Input Current vs. Load on  $V_{DD-VEE}$ :  $V_{IN} = 18\text{ V}$ ,  $V_{VDD-VEE} = 22\text{ V}$ ,  $V_{COM-VEE} = 4\text{ V}$ , No Load on  $V_{COM-VEE}$

## 8 Detailed Description

### 8.1 Overview

UCC14141-Q1 device is suitable for applications that have limited board space and require more integration. These devices are also suitable for very-high voltage applications, where power transformers meeting the required isolation specifications are bulky and expensive. The low-profile, low-center of gravity, and low weight provides a higher vibration tolerance than systems using large bulky transformers. The device is easy-to-use and provides flexibility to adjust both positive and negative output voltages as needed when optimizing the gate voltage for maximum efficiency while protecting gate oxide from over-stress with its tight voltage regulation accuracy.

The device integrates a high-efficiency, low-emissions isolated DC/DC converter for powering the gate drive of SiC or IGBT power devices in traction inverter motor drives, industrial motor drives, or other high voltage DC/DC converters. This DC/DC converter provides greater than 1.5 W of power for  $10.8V < V_{VIN} < 13.2V$  for regulated rails, and 1 W of power for  $8V < V_{VIN} < 18V$  for direct connection to a 12-V battery.

The integrated DC/DC converter uses switched mode operation and proprietary circuit techniques to reduce power losses and boost efficiency. Specialized control mechanisms, clocking schemes, and the use of an on-chip transformer provide high efficiency and low radiated emissions.

The integrated transformer provides power delivery throughout a wide temperature range while maintaining a 5000- $V_{RMS}$  isolation, and an 1000- $V_{RMS}$  continuous working voltage. The low isolation capacitance of the transformer provides high CMTI allowing fast dv/dt switching and higher switching frequencies, while emitting less noise.

The  $V_{VIN}$  supply is provided to the primary-side power controller that switches the input stage connected to the integrated transformer. Power is transferred to the secondary-side output stage, and regulated to a level set by the resistor divider connected between the (VDD – VEE) pin and the FBVDD pin with respect to the VEE pin. The output voltage is adjustable with an external resistor divider allowing a wide (VDD – VEE) range.

For optimal performance ensure to maintain the  $V_{VIN}$  input voltage within the recommended operating voltage range. Do not exceed the absolute maximum voltage rating to avoid over-stressing the input pins.

A fast hysteretic feedback burst control loop monitors (VDD – VEE) and ensures the output voltage is kept within the hysteresis with low overshoots and undershoots during load and line transients. The burst control loop enables efficient operation across full load and allows a wide  $V_{OUT}$  adjustability throughout the whole  $V_{VIN}$  range. The undervoltage lockout (UVLO) protection monitors the input voltage pin,  $V_{VIN}$ , with hysteresis and input filter ensuring robust system performance under noisy conditions. The overvoltage lockout (OVLO) protection monitors the input voltage pin, VIN, protects against over-voltage stress by disabling switching and reducing the internal peak voltage. Controlled soft-start timing, provided throughout the full power-up time, limits the peak input inrush current while charging the output capacitor and load.

The UCC14141-Q1 also provides a second output rail, (COM – VEE), that is used as a negative bias for the gate drivers, allowing quicker turn-off switching for the IGBTs, and also to protect from unwanted turn-on during fast switching of SiC devices. (COM – VEE) has a simple, yet fast and efficient bias controller to ensure the positive and negative rails are regulated during the PWM switching. The COM pin can be connected from the source of SiC device or emitter of an IGBT device. An external current limiting resistor allows the designer to program the sink and source current peak according to the needs of the gate drive system.

A fault protection and powergood status pin provides a mechanism for the host controller to monitor the status of the DC/DC converter and provide proper sequencing of power and PWM control signals to the gate driver. Fault protection includes undervoltage, overvoltage, over-temperature shutdown, and isolated channel communication interface watchdog timer.

A typical soft-start ramp-up time is approximately 3 ms, but varies based on input voltage, output voltage, output capacitance, and load. If either output is shorted or over-loaded, the device is not able to power-up within the 28.4-ms soft-start watch-dog-timer protection time, so the device latches off for protection. The latch can be reset by toggling the ENA pin or powering VIN down and up.

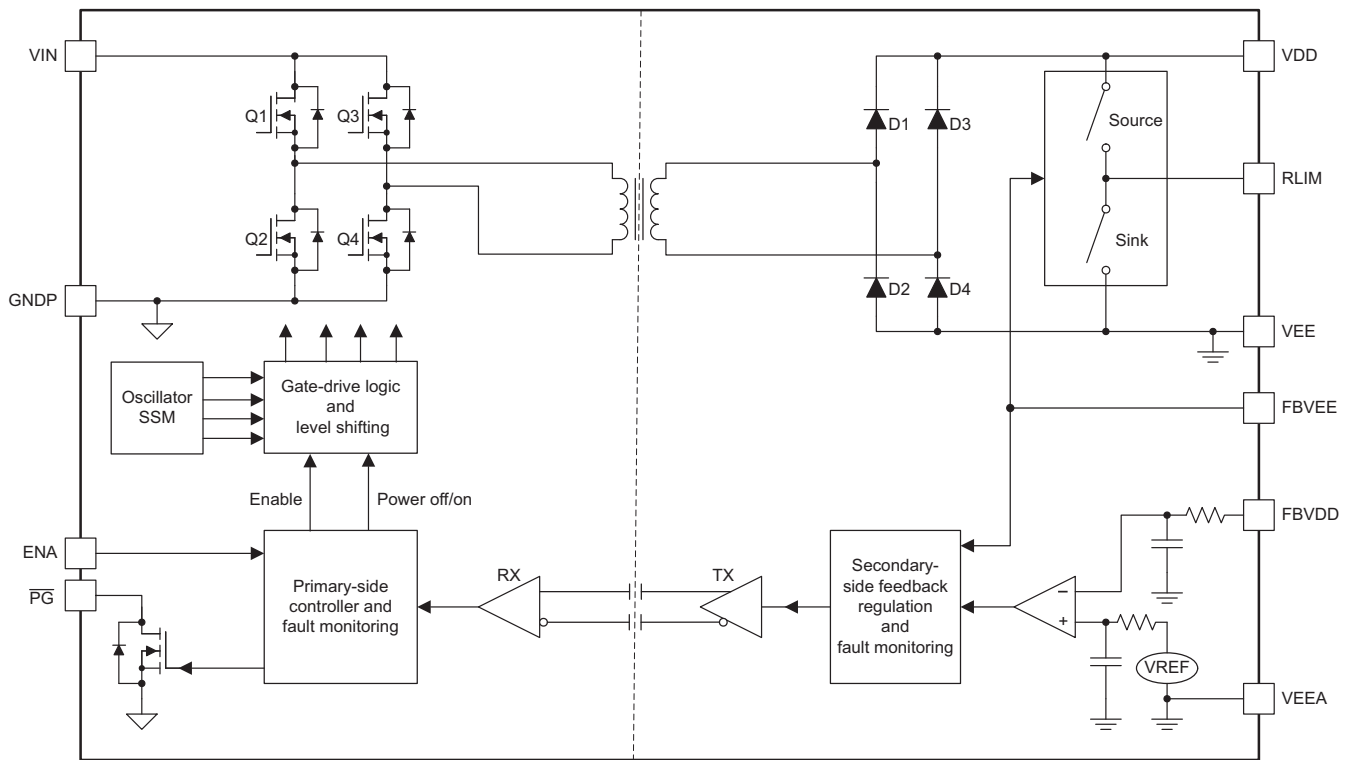
The output load must be kept low until start-up is complete and  $\overline{PG}$  pin is low. When powering up, do not apply a heavy load to (VDD – VEE) or (COM – VEE) outputs until the  $\overline{PG}$  pin has indicated power is good (pulling logic low) to avoid problems providing the power to ramp-up the voltage.

TI recommends to use the  $\overline{PG}$  status indicator as a trigger point to start the PWM signal into the gate driver.  $\overline{PG}$  output removes any ambiguity as to when the outputs are ready by providing a robust closed loop indication of when both (VDD – VEE) and (COM – VEE) outputs have reached their regulation threshold within  $\pm 10\%$ .

Do not allow the host to begin PWM to gate driver until after  $\overline{PG}$  goes low. This action typically occurs less than 28.4 ms after  $V_{VIN} > V_{VIN\_UVLOP}$  and ENA goes high. The  $\overline{PG}$  status output indicates the power is good after soft-start of (VDD – VEE) and (COM – VEE) and are within  $\pm 10\%$  of regulation.

If the host is not monitoring  $\overline{PG}$ , then ensure that the host does not begin PWM to gate driver until 35 ms after  $V_{VIN} > V_{VIN\_UVLOP}$  and ENA goes high in order to allow enough time for power to be good after soft-start of VDD and VEE.

### 8.2 Functional Block Diagram



## 8.3 Feature Description

### 8.3.1 Power Stage Operation

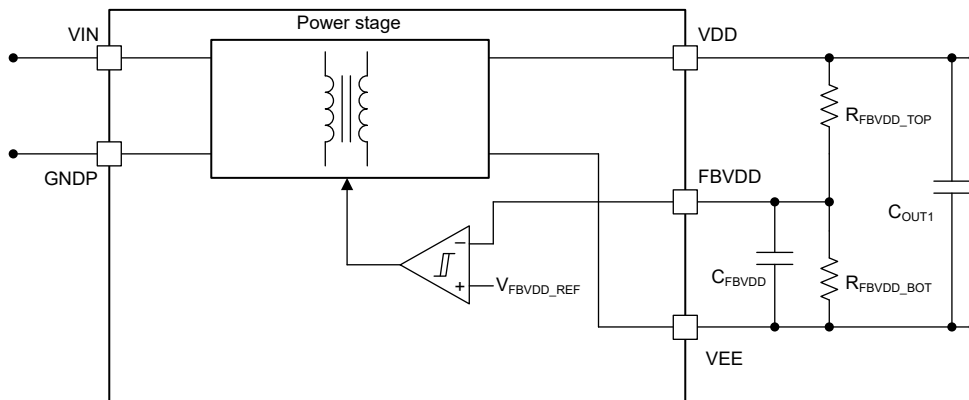
The UCC14141-Q1 module uses an active full-bridge inverter on the primary-side and a passive full-bridge rectifier on the secondary-side. The small integrated transformer has a relatively high carrier frequency to reduce the size for integrating into the 36-pin SSOP package. The power stage carrier frequency operates within 10 MHz to 22 MHz. The power stage carrier frequency is determined by input voltage with a feed-forward control: when  $V_{VIN}$  is 8 V, the frequency is 22 MHz; when  $V_{VIN}$  is 18 V, the frequency is 10 MHz; when  $V_{VIN}$  is between 8 V and 18 V, the frequency reduces gradually from 22 MHz to 10 MHz as  $V_{VIN}$  voltage rises. Spread spectrum modulation, SSM, is used to reduce emissions. ZVS operation is maintained to reduce switching power losses.

The UCC14141-Q1 module creates two regulated outputs. It can be configured as a single output converter, VDD to VEE only, or a dual-output converter, VDD to VEE and COM to VEE. Even though the module uses VEE as the reference point to create two positive output voltages, the outputs can use COM as the reference point and become a positive and a negative output.

These two outputs are controlled independently through hysteresis control. Furthermore, the VDD-VEE is the main output, and COM to VEE uses the main output as its input to create a second regulated output voltage.

#### 8.3.1.1 VDD-VEE Voltage Regulation

The VDD-VEE output is the main output of the module. The power stage operation is determined by the sensed VDD-VEE voltage on FBVDD pin. As shown in [Figure 8-1](#), the VDD-VEE voltage is sensed through a voltage divider  $R_{FBVDD\_TOP}$  and  $R_{FBVDD\_BOT}$ . When FBVDD voltage stays below the turn-off threshold, roughly 10 mV above the  $V_{FBVDD\_REF}$ , the power stage operates, delivers power to the secondary side and makes the VDD-VEE output voltage rise. After the output reaches the turn-off threshold, the power stage turns off. Output voltage drops because of the load current. After the output voltage drops below the turn-on threshold, roughly 10 mV below the  $V_{FBVDD\_REF}$ , the power stage is turned on again. With the accurate voltage reference and hysteresis control, the VDD-VEE output voltage can be regulated with high accuracy. To improve the noise immunity, a small capacitor of 330 pF should be added between FBVDD and VEE pins. Excessive capacitor slows down the hysteresis loop and can cause excessive output voltage ripple or even stability issue.



**Figure 8-1. VDD-VEE Voltage Regulation**

### 8.3.1.2 COM-VEE Voltage Regulation

COM-VEE output takes VDD-VEE output as its input and creates a regulated output voltage. It can be considered as an LDO output from VDD-VEE, though the operation principle is not quite the same. Given its input voltage is VDD-VEE, the maximum output voltage from COM to VEE is the voltage between VDD and VEE.

The COM-VEE output regulator stage uses the internal high-side or low-side FETs in series with the external current-limit resistor ( $R_{LIM}$ ) to charge or discharge the COM-VEE output voltage. The hysteresis control is used to control the switching instance of the two FETs, to achieve an accurately regulated COM-VEE voltage. As shown in Figure 8-2, the COM-VEE output voltage is sensed through the voltage divider  $R_{FBVEE\_TOP}$  and  $R_{FBVEE\_BOT}$  on FBVEE pin. TI recommends a 330-pF capacitor on FBVEE pin to filter out the switching frequency noise. When the voltage on FBVEE is below the charging threshold, 20 mV below the  $V_{FBVEE\_REF}$ , the charging resistor is kept on and discharging resistor is kept off. COM-VEE output voltage rises. After FBVEE voltage reaches the stop charging threshold, 20 mV above the  $V_{FBVEE\_REF}$ , the charging resistor is turned off. Output voltage rise stops. When the charging resistor is turned off, the discharge resistor is controlled by another hysteresis controller, based on FBVEE pin voltage, with the same reference voltage  $V_{FBVEE\_REF}$ , and 20-mV of hysteresis.

The COM-VEE output regulator stage will protect from having the high-side FET stay ON for a long time during a COM to VEE short. This protection feature is implemented by monitoring the RLIM-pin voltage and controlling the high-side FET duty-ratio. When the COM pin voltage is lower than 0.645 V while the FBVEE voltage is below 2.48 V, the hysteretic control of the COM-VEE regulator is overridden by an approximately 20 % duty-ratio control on high-side FET, with a typical on-time of  $t_{RLIM\_SHORT\_CHRG\_ON\_TIME}$  and off-time of  $t_{RLIM\_SHORT\_CHRG\_OFF\_TIME}$  in each duty cycle. When the COM pin voltage is higher than  $V_{RLIM\_SHORT\_CHRG\_CMP\_RISE}$ , the duty ratio control is disabled and the hysteretic control resumes to normal operation.

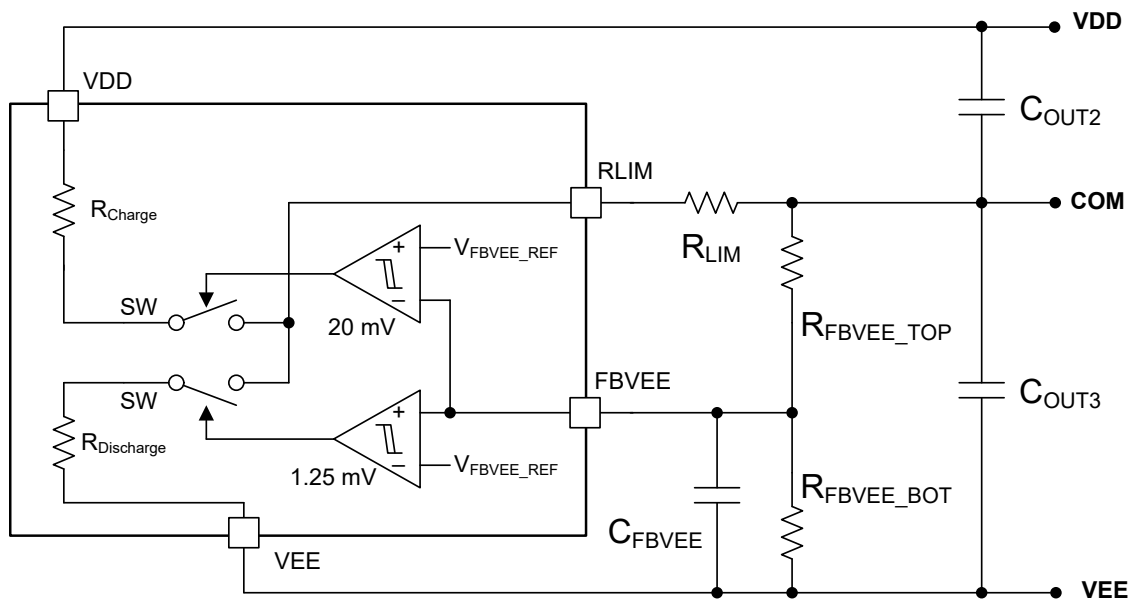
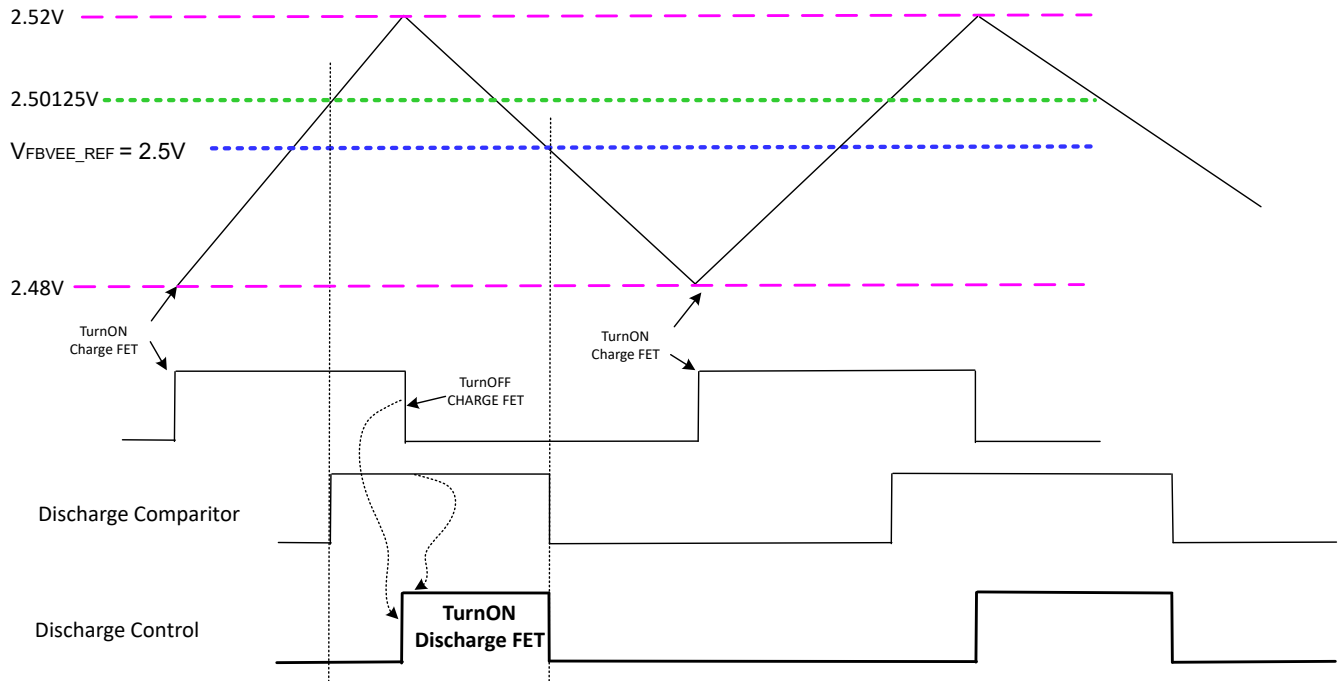


Figure 8-2. COM-VEE Voltage Regulation

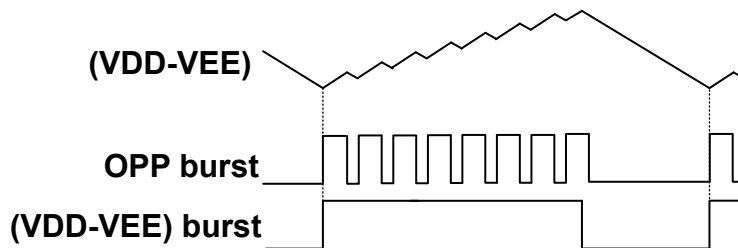


**Figure 8-3. COM-VEE Voltage Regulation Diagram**

**8.3.1.3 Power Handling Capability**

The maximum power handling capability is determined by both circuit operation and thermal condition. For a given output voltage, the maximum power increases with input voltage before triggering the thermal protection. An over-power-protection (OPP) is implemented to limit maximum output power and reduces power stage RMS current at high input voltage. The OPP is implemented by a feed-forward control from the input voltage to the OPP burst duty cycle ( $D_{OPP}$ ). The  $D_{OPP}$  adds a "baby" burst within the on-time of "Mama" burst from the main feedback loop for the (VDD-VEE) regulation. When the input voltage increases, the  $D_{OPP}$  reduces automatically to limit the averaged output power.

At high ambient temperature, the thermal performance determines the maximum power and safe operating area (SOA). A protective thermal shut-down is triggered after overtemperature is detected. The high-efficiency and optimized thermal design for transformer and silicon provide a high power handling capability at high ambient temperature in a small package.



**Figure 8-4. Diagram of Over-Power-Protection with baby burst**

### 8.3.2 Output Voltage Soft Start

UCC14141-Q1 power-up diagram of two output rails with soft start is shown in Figure 8-5. After  $V_{VIN} > V_{VIN\_UVLOP}$  and ENA is pulled high, the soft-start sequence starts with burst duty cycle control with soft duty cycle increment. The burst duty cycle gradually increases from 12.5% to 50% over time by the primary-side control signal ( $D_{SS\_PRI}$ ), so both  $V_{VDD-VEE}$  and  $V_{COM-VEE}$  increase ratiometrically with a controlled shallow rising slope. When  $V_{VDD-VEE}$  is increased above  $V_{VDD\_UVLOS}$ , there is a sufficient bias voltage for the feedback-loop communication channel, so the burst feedback control on the secondary side takes over. As a result, the  $D_{SS\_PRI}$  is pulled high and does not affect burst duty cycle anymore. The burst duty cycle is determined by comparing  $V_{FBVDD}$  and  $V_{REF}$ .  $V_{REF}$  increases from 0.9V to 2.5 V with seven increment steps, where the first 0.4-V step boosts  $V_{REF}$  from 0.9V to 1.3V, and then the following six 0.2-V steps boosts  $V_{REF}$  from 1.3V to 2.5V. Each step lasts 128  $\mu$ s. After  $V_{VDD-VEE} > V_{VDD\_UVP}$ , the RLIM source-sink regulator for  $V_{COM-VEE}$  is enabled. The polarity of source or sink current of RLIM pin is determined by comparing  $V_{FBVEE}$  and  $V_{REF}$  so as to keep  $V_{COM-VEE}$  in tight regulation. Once  $V_{VDD-VEE}$  or  $V_{COM-VEE}$  rises across its UVP threshold, there is a 3-ms (typical) deglitch time for  $V_{VDD-VEE}$  UVP and  $V_{COM-VEE}$  UVP and OVP, and then the power good signal is issued by pulling  $\overline{PG}$  voltage low. The 3-ms (typical) deglitch time is only applied during start up before the power good signal is issued. It provides enough time for both  $V_{VDD-VEE}$  and  $V_{COM-VEE}$  to settle in their hysteresis band of regulation after start up, so that the converter does not shut down due to the overshoot or undershoot during start up.

The soft-start feature greatly reduces the input inrush current during power-up. In addition, if  $V_{VDD-VEE}$  cannot reach to  $V_{VDD\_UVLOS}$  within 28.4 ms, then the device shuts down in a safe-state. The 28.4-ms soft-start time-out protects the module under output short circuit condition before power up.

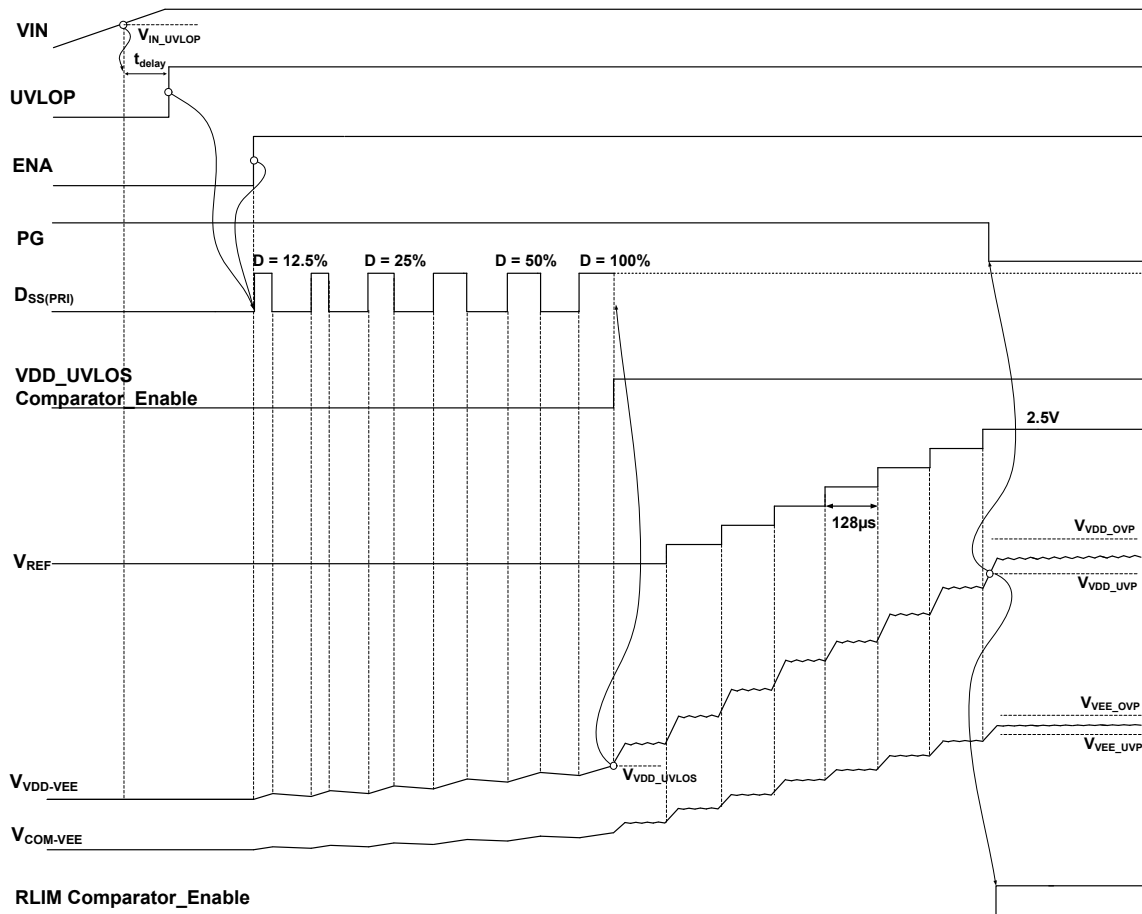


Figure 8-5. Output voltage Soft-Start Diagram

### 8.3.3 ENA and $\overline{\text{PG}}$

The ENA input pin and  $\overline{\text{PG}}$  output pin on the primary-side use 5-V TTL and 3.3-V LVTTTL level logic thresholds.

The active-high enable input (ENA) pin is used to turn-on the isolated DC/DC converter of the module. Either 3.3-V or 5-V logic rails can be used. Maintain the ENA pin voltage below 5.5 V. After ENA pin voltage becomes above the enable threshold  $V_{\text{EN\_IR}}$ , UCC14141-Q1 enables, starts switching, goes through the soft-start process and delivers power to the secondary side. After ENA pin voltage falls below the disable threshold  $V_{\text{EN\_IF}}$ , UCC14141-Q1 disables, stops switching.

The ENA pin can also be used to reset the UCC14141-Q1 device after it enters the protection safe-state mode. After a detected fault, the protection logic will latch off and place the device into a safe state. When all the faults are cleared, the ENA-pin can be used to clear the UCC14141-Q1 latch by toggling the ENA pin voltage below  $V_{\text{EN\_IF}}$  for longer than 150  $\mu\text{s}$ , then toggling back up to 3.3 V or 5 V. The device will then exit the latch-off mode and we initiate a soft-start. Figure 8-6 illustrates the latch-off reset timing.

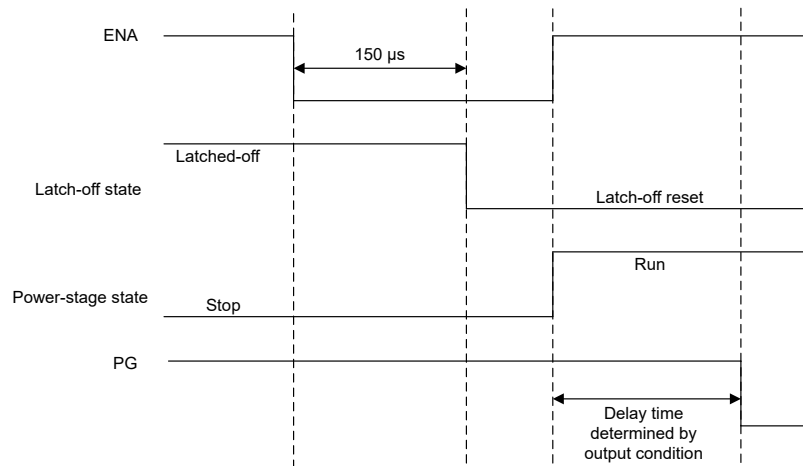


Figure 8-6. Latch-off Reset Using ENA Pin

The active-low power-good ( $\overline{\text{PG}}$ ) pin is an open-drain output that indicates (short) when the module has no fault and the output voltages are within  $\pm 10\%$  of the output voltage regulation setpoints. Connect a pull-up resistor ( $> 1 \text{ k}\Omega$ ) from  $\overline{\text{PG}}$  pin to either a 5-V or 3.3-V logic rail. Maintain the  $\overline{\text{PG}}$  pin voltage below 5.5 V without exceeding its recommended operating voltage. The logic of  $\overline{\text{PG}}$  pin can be illustrated using Figure 8-7.

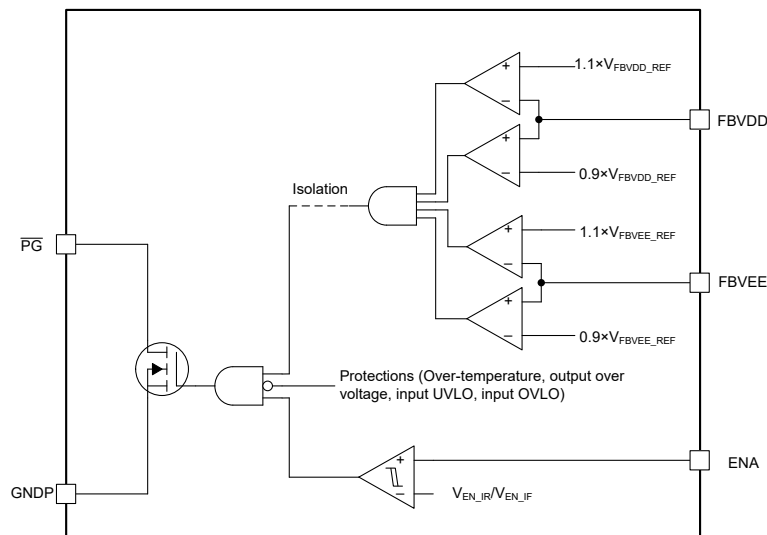


Figure 8-7.  $\overline{\text{PG}}$  Pin Logic

### 8.3.4 Protection Functions

UCC14141-Q1 is equipped with a full feature of protection functions, include input undervoltage lockout, overvoltage lockout protections, output undervoltage protection, overvoltage protection, overpower protection, and over-temperature protection. The input undervoltage and overvoltage lockout protections have the auto recovery response. All other protections have the latch-off response. After the latch-off-response protections are triggered, the converter enters a latch off state, stops switching until the latch is reset by either toggling the ENA pin Off then On, or by lowering the  $V_{VIN}$  voltage below the  $V_{VIN\_ANALOG\_UVLOP\_FALLING}$  threshold, and then above the  $V_{VIN\_UVLOP\_RISING}$  threshold.

#### 8.3.4.1 Input Undervoltage Lockout

UCC14141-Q1 can take wide input voltage range, from 8 V to 18 V. When the input voltage becomes too low, the output either cannot be regulated due to the transformer turns ratio limitation, or the converter operates with too much current stress. Either way, the converter must shut down to protect the system.

The UCC14141-Q1 enters input undervoltage lockout when  $V_{VIN}$  voltage becomes lower than the UVLO threshold  $V_{VIN\_UVLOP\_FALLING}$ . In UVLO mode, the converter stops switching. After  $V_{VIN}$  pin voltage becomes lower than the VIN analog undervoltage lockout falling threshold  $V_{VIN\_VULOPE\_FALLING}$ , UCC14141-Q1 resets all the protections. After that, after the  $V_{VIN}$  voltage becomes above the UVLO threshold  $V_{VIN\_UVLOP\_RISING}$ , the converter is enabled. Depending on the ENA pin voltage, the converter can start switching, go through the soft-start process, or in the disable mode, waiting for ENA pin voltage becomes high.

#### 8.3.4.2 Input Overvoltage Lockout

The input overvoltage lockout protection is used to protect the UCC14141-Q1 devices from overvoltage damage. It has an auto-recovery response. When the  $V_{VIN}$  pin voltage becomes higher than the input overvoltage lockout threshold  $V_{VIN\_OVLO\_RISE}$ , switching stops, converter stops sending energy to the secondary side. After input overvoltage lockout protection, after  $V_{VIN}$  pin voltage drop below the recovery threshold  $V_{VIN\_OVLO\_FALLING}$ , depending on the ENA pin voltage status, the converter can either resuming operation, go through the full soft-start process, or in the disabled mode, wait for ENA pin becomes high. The input overvoltage lockout does not reset other latch-off protections.

### **8.3.4.3 Output Undervoltage Protection**

The output voltage under voltage protection is based on the FBVDD and FBVEE pin voltages. When the FBVDD pin voltage becomes lower than its UVP threshold  $V_{VDD\_UVP\_FALL}$ , or the FBVEE pin voltage becomes lower than its UVP threshold  $V_{VEE\_UVP\_FALL}$ , the undervoltage protection is activated. The UCC14141-Q1 stops switching, and the PG pin becomes open.

During soft start, the output voltages rise from zero. Both FBVDD and FBVEE pin voltage are below the UVP thresholds. The UVP is disabled during the soft start. If the pin voltage cannot reach the UVP recovery thresholds ( $V_{VDD\_UVP\_RISE}$ ,  $V_{VEE\_UVP\_RISE}$ ) after the soft start completes, undervoltage protection is activated. The UCC14141-Q1 stops switching, and the PG pin becomes open.

The undervoltage protection has a latched-off response. After it is activated, the latch-off state can be cleared by recycling  $V_{VIN}$ . Toggling ENA pin can also reset the latch-off state. Refer to ENA and PG section for details.

#### 8.3.4.4 Output Overvoltage Protection

The UCC14141-Q1 devices sense the output voltage through FBVDD and FBVEE pins to control the output voltage. To prevent the output voltage becomes too high, damages the load or UCC14141-Q1 device itself, the UCC14141-Q1 devices are equipped with the output overvoltage protection. There are two levels of overvoltage protection, based on the feedback pin voltage, and the output voltage.

During the normal operation, because of load transient, or load unbalancing between two outputs, the output voltages can exceed its regulation level. Based on the pin voltages on FBVDD and FBVEE, after the voltage exceeds the threshold,  $V_{VDD\_OVP\_RISE}$ , or  $V_{VEE\_OVP\_RISE}$  (10% above the target regulation voltage), the converter stops switching immediately.

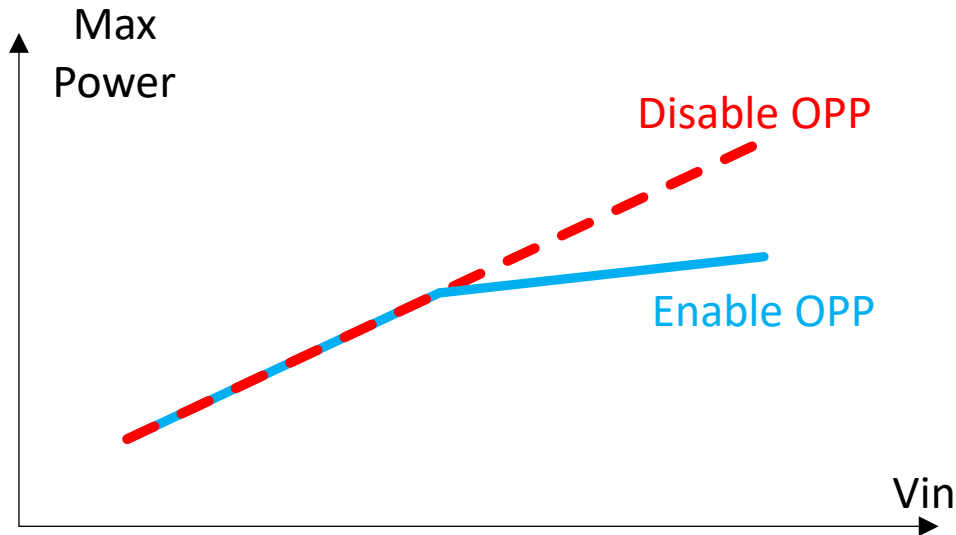
In rare cases, the voltage divider becomes malfunction and gives the wrong output voltage information. In turn, the control loop can regulate the output voltages at a wrong voltage level. The UCC14141-Q1 device is also equipped with a fail-safe overvoltage protection. After the VDD-VEE voltage becomes higher than the overvoltage protection threshold  $V_{VDD\_OVLOS\_RISE}$ , the converter shuts down immediately. This fail-safe protection level is set at 31 V. It is meant to protect UCC14141-Q1 devices, instead of the load. The design must ensure the voltage feedback divider normal operation at all conditions.

The output overvoltage protections have the latch-off response.

### 8.3.4.5 Overpower Protection

The Over Power Protection, OPP, limits the maximum average output power. When the output is overloaded, it is important to shutdown the module to prevent it from further damage, or propagating the fault into other portion of the entire system. Given the extremely high switching frequency, it is not practical to implement the traditional cycle-by-cycle current limit. Instead, the UCC14141-Q1 device relies on the Over Power Protection (OPP) working together with the output undervoltage protection.

As discussed in [Power Handling Capability](#), with the input voltage feedforward, and the "baby" burst duty cycle adjustment, the maximum power delivery capability of the UCC14141-Q1 is well controlled. The impact of OPP on the relationship between  $V_{in}$  and maximum output power is shown in [Figure 8-8](#).



**Figure 8-8. Maximum Output Power Under Different Input Voltage Condition**

When the load exceeds the maximum power delivery capability, the output voltage starts to droop. When the output voltage falls below the Under Voltage Protection threshold, the output undervoltage protection is triggered and the parts latches off into a safe state.

### 8.3.4.6 Overtemperature Protection

UCC14141-Q1 integrates the primary-side, secondary-side power stages, as well as the isolation transformer. The power loss caused by the power conversion causes the module temperature higher than the ambient temperature. To ensure the safe operation of the power module, the UCC14141-Q1 device is equipped with over-temperature protection. Both the primary-side power stage, and the secondary-side power stage temperatures are sensed and compared with the over-temperature protection threshold. If the primary-side power stage temperature becomes higher than  $TSHUTP_{PRIMARY\_RISE}$ , or the secondary-side power stage temperature becomes higher than  $TSHUTS_{SECONDARY\_RISE}$ , the module enters over-temperature protection mode. The module stops switching;  $\overline{PG}$  pin becomes open. After protection, the module enters latch-off mode. When the power stage temperature drops below the over-temperature recovery threshold, recycling  $V_{VIN}$ , or toggling ENA pin voltage brings the model out of latch-off mode. Depending on ENA pin voltage, the module either starts switching, delivering power to the secondary side, or in the standby mode waiting for ENA pin voltage becomes high.

## 8.4 Device Functional Modes

Depending on the input and output conditions, ENA pin voltage, as well as the device temperature, the UCC14141-Q1 operates in one of the below operation modes.

1. Disable mode. In this mode, the module is off, but waiting for ENA pin becoming high to start operate.
2. Soft-start mode. In this mode, the module starts to deliver power to the secondary side. The primary-side operation duty cycle and secondary-side references are raised gradually to reduce the stress to the module.
3. Normal operation mode. In this mode, the module operates normally, delivers power to the secondary side.
4. Protection mode, auto-recovery. In this mode, the module is off, due to the input UVLO or OVLO protection. After the input voltage fault is cleared, depending on the ENA pin voltage condition, it either becomes disabled mode if the ENA pin voltage is low, or it goes through soft-start mode to the normal operation mode.
5. Protection mode, latched-off. In this mode, the module is off, due to other protections. The module remains off even the fault causing the protection is cleared. Recycling  $V_{VIN}$  operation must ensure the input voltage goes below the analog UVLO falling threshold ( $V_{VIN\_ANALOG\_UVLOP\_FALLING}$ ) first to reset the latch-off state, or the ENA pin is toggled Low (OFF) then High (ON).

Table 8-1 lists the supply functional modes for this device. The ENA pin has an internal weak pull-down resistance to ground, but TI does not recommend leaving this pin open.

**Table 8-1. Device Functional Modes**

INPUT			OUTPUTS			Operation Mode
$V_{VIN}$	ENA	FAULT	$V_{(VDD - VEE)}$ Isolated Output1	$V_{(COM - VEE)}$ Isolated Output2	PG Open Drain	
$V_{VIN} < V_{VIN\_UVLOP\_RISING}$	X	X	OFF	OFF	High	Protection mode, auto-recovery
$V_{VIN\_UVLOP\_RISING} < V_{VIN} < V_{VIN\_OVLO\_RISING}$	LOW	X	OFF	OFF	High	Disable mode
$V_{VIN\_UVLOP\_RISING} < V_{VIN} < V_{VIN\_OVLO\_RISING}$	HIGH	NO FAULT	Regulating at Setpoint	Regulating at Setpoint	Low	Normal operation
$V_{VIN\_UVLOP\_RISING} < V_{VIN} < V_{VIN\_OVLO\_RISING}$	HIGH	YES FAULT	OFF	OFF	High	Protection mode, latched-off
$V_{VIN} > V_{VIN\_OVLO\_RISING}$	X	X	OFF	OFF	High	Protection mode, auto-recovery

## 9 Application and Implementation

### Note

Information in the following applications sections is not part of the TI component specification, and TI does not warrant its accuracy or completeness. TI's customers are responsible for determining suitability of components for their purposes, as well as validating and testing their design implementation to confirm system functionality.

### 9.1 Application Information

The UCC14141-Q1 device is suitable for applications that have limited board space and desire more integration. This device is also suitable for very high voltage applications, where power transformers meeting the required isolation specifications are bulky and expensive.

### 9.2 Typical Application

The following figures show the typical application schematics for the UCC14141-Q1 device configurations supplying an isolated load.

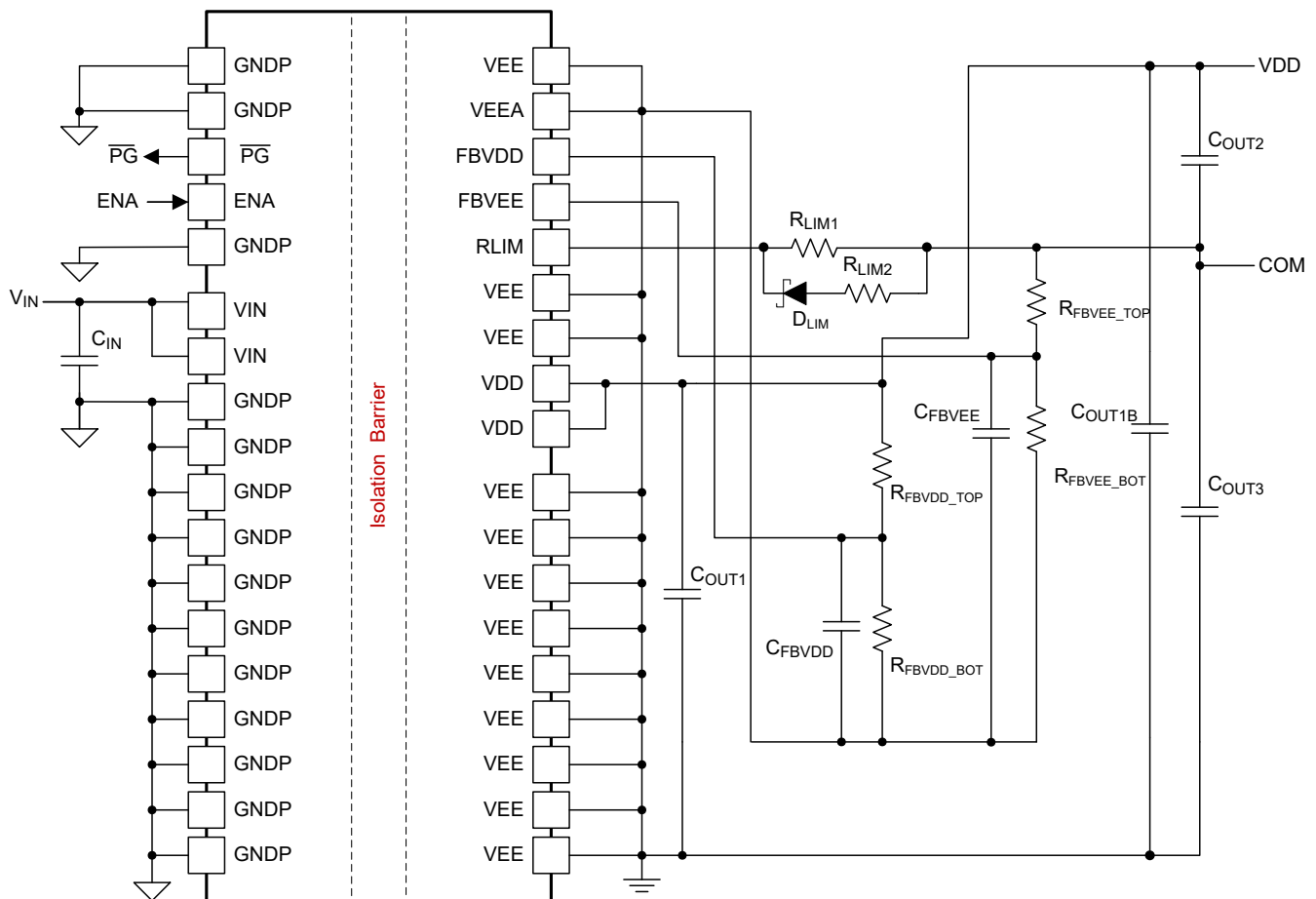
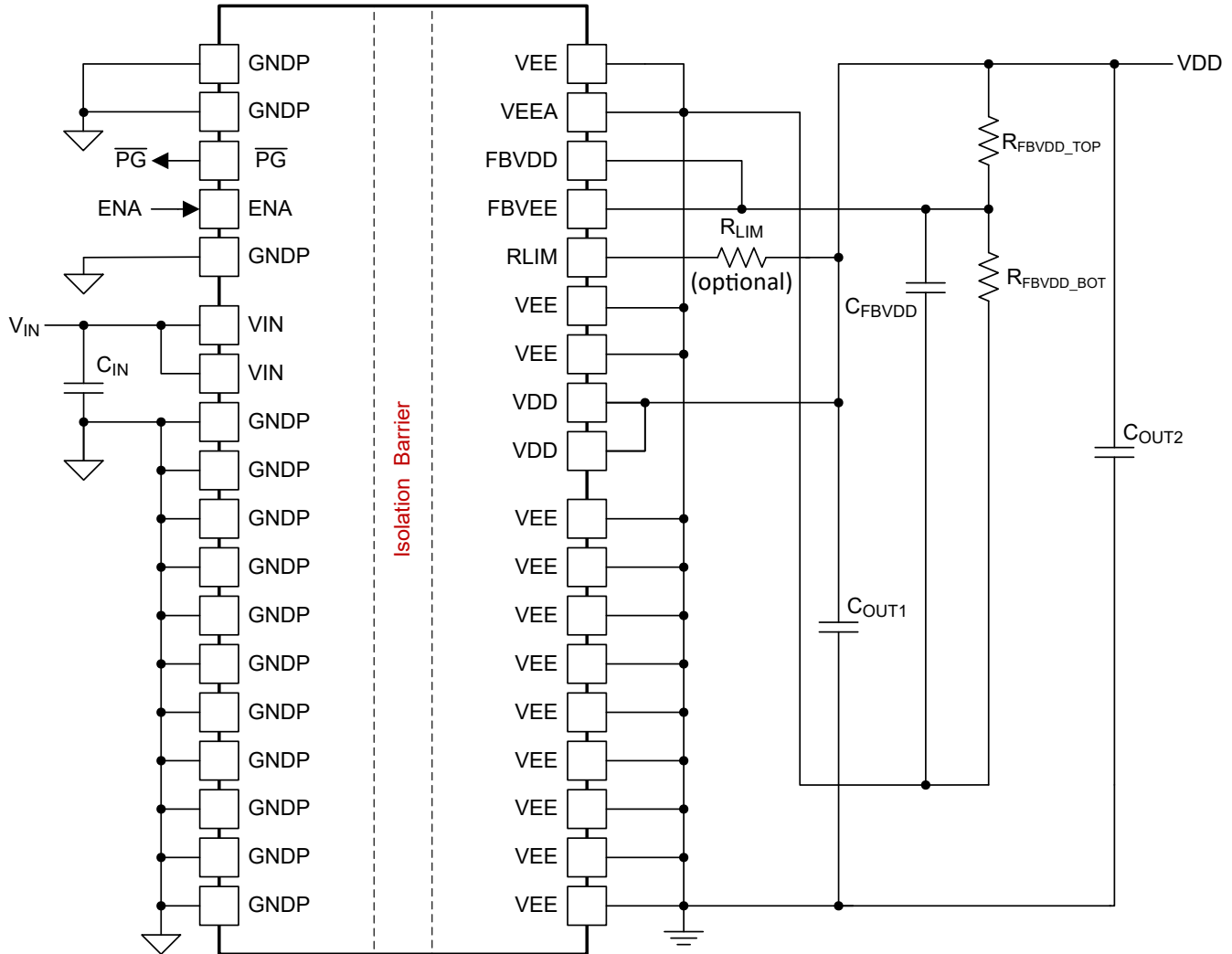


Figure 9-1. Dual Adjustable Output Configuration



**Figure 9-2. Single Adjustable Output Configuration**

### 9.2.1 Design Requirements

Designing with the UCC14141-Q1 module is simple. First, choose single output or dual output. Determine the voltage for each output and then set the regulation through resistor dividers. Second, select the recommended input and output capacitors according to the procedure in the section of capacitor selection. The gate charge of the power device determines the amount of output decoupling capacitance needed at the gate driver input. Third, calculate the  $R_{LIM}$  resistor value for regulating the (COM – VEE) voltage rail for a dual output according to the procedure in the section of  $R_{LIM}$  or RDR selection.

For the dual output configuration, the VDD-to-VEE output capacitor placement and the  $R_{LIM}$ -to-COM resistance introduce great impact to the power module performance and system BOM cost. [Table 9-1](#) compares four combinations of two different VDD-to-VEE output decoupling capacitor placements and two  $R_{LIM}$  current-limit networks. The number 1 ranking represents the best, and the number 4 means the worst. The table indicates that case B offers the best performance and case A offers the lowest BOM cost. As shown in [Figure 9-1](#),  $C_{OUT1}$  is the decoupling capacitor closest to VDD and VEE pins, while  $C_{OUT1B}$  is the decoupling capacitor closest to the output load. Besides, the current-limit resistor network between  $R_{LIM}$  pin and COM terminal is called the RDR circuitry, which can program the charge and discharge current of  $R_{LIM}$  regulator independently.

For the gate driver application with high  $di/dt$  current change as example, the finite impedance between the output terminal of power modules and the input bias terminal of output load greatly affects the transient response at the point of load, so the local decoupling capacitor  $C_{OUT1B}$  provides a very effective low-impedance

decoupling for both  $V_{VDD-to-COM}$  and  $V_{COM-to-VEE}$  in the driver switching condition. From the schematic aspect, it seems that adding  $C_{OUT1B}$  means one more extra capacitor, but the reality is that it helps to avoid the need of oversizing  $C_{OUT2}$  and  $C_{OUT3}$ . With  $C_{OUT1B}$ , the reduced capacitance and capacitor body size for  $C_{OUT2}$  and  $C_{OUT3}$  end up a reduced total BOM cost on output capacitor bank. The following [Section 9.2.2.1](#) will describe the design procedure of  $C_{OUT1B}$  for more detail. Another benefit is that when capacitance of  $C_{OUT2}$  and  $C_{OUT3}$  is reduced, a higher  $R_{LIM}$  resistance can be used for COM-to-VEE regulation, so the power loss of RLIM regulator is reduced for higher power module efficiency.

**Table 9-1. Comparison of four design cases and their system-level implications**

	$C_{OUT1B}$	RDR	Output Ripple	Efficiency	External BOM count/ cost
Case A	Yes	No	3	3	1 (Lowest)
Case B	Yes	Yes	1 (Lowest)	1 (Highest)	2
Case C	No	No	4	4	3
Case D	No	Yes	2	2	4

As shown in [Figure 9-1](#), the RDR circuitry is a current-limit resistor network of the RLIM pin to allow  $R_{LIM}$  regulator to optimize the charge and discharge current capabilities independently for further increasing the power module efficiency from the reduced power loss of  $R_{LIM}$  regulator. The circuitry consists of three components, one high-resistance resistor  $R_{LIM1}$  in parallel with another resistor-diode branch, a small-resistance resistor  $R_{LIM2}$  in series with a small-signal diode  $D_{LIM}$ .  $R_{LIM1}$  resistance is much higher than  $R_{LIM2}$  resistance. Since  $V_{VDD-to-VEE}$  is usually much higher than  $V_{COM-to-VEE}$  especially in gate drive application,  $R_{LIM1}$  provides a high-resistance path for the internal charge switch to greatly reduce the switch current, so as to reduce the switching loss and conduction loss of the internal charge switch as well as the power loss of  $R_{LIM1}$  for higher efficiency. In addition, with a smaller charge current, the disturbance to  $V_{VDD-to-VEE}$  ripple dipping effect at the charge switch turn-on instance will be minimized, so the total peak-to-peak ripple is reduced.

When the discharge switch turns on, the  $D_{LIM}$  provides a unidirectional path to divert most of the RLIM-pin current back to  $R_{LIM2}$ . This approach allows the RLIM regulator equipped with strong enough sinking capability to avoid the unbalanced current at COM-pin terminal from charging up  $V_{COM-to-VEE}$  away from regulation band. Since  $V_{COM-to-VEE}$  is lower than  $V_{VDD-to-VEE}$  such as -5V respect to 25V as example, the power loss of the internal discharge switch and  $R_{LIM2}$  with larger switching current is less concern. On the contrary, if only one resistor is used to the RLIM pin, the resistor needs to design for worst case with lowest resistance to ensure  $V_{COM-to-VEE}$  regulation, so the efficiency will be compromised. For example, the RDR circuitry with  $R_{LIM1}$  of 1k $\Omega$  and  $R_{LIM2}$  of 51 $\Omega$  can increase the converter efficiency 7% higher with 10mA load from VDD to COM and reduce the case temperature 10°C, compared with using one  $R_{LIM}$  of 51 $\Omega$  only.

Based on above, Case B is highly recommended as first choice in application. User can still use other three design cases for other considerations. The design calculator provides a generic calculation tool to help user optimize each. The equations are based on the below detail descriptions.

### 9.2.2 Detailed Design Procedure

Place ceramic decoupling capacitors as close as possible to the device pins. For the input supply, place the capacitors between pins 6 to 7 (VIN) and pins 8 to 9 (GNDP). For the isolated output supply, (VDD – VEE), place the capacitors between pins 28 to 29 (VDD) and pins 30 to 31 (VEE). For the isolated output supply, (COM – VEE), place an  $R_{LIM}$  resistor between the RLIM pin and the gate driver COM supply input. Also place decoupling capacitors at the gate driver supply pins (VDD and COM) and at gate driver supply pins (COM and VEE) with values according to the following component calculation sections. These locations are of particular importance to all the decoupling capacitors because the capacitors supply the transient current associated with the fast switching waveforms of the power drive circuits. Ensure the capacitor dielectric material is compatible with the target application temperature.

### 9.2.2.1 Capacitor Selection

The UCC14141-Q1 device creates an isolated output VDD-VEE as its main output. The device also creates a second output COM-VEE, using VDD-VEE as its power source. Because both outputs are isolated from the input, and sharing VEE as the common reference point, the UCC14141-Q1 outputs can be configured as dual-output two-positive, dual-output two-negative, or dual-output one-positive and one-negative. UCC14141-Q1 output can also be used as a single positive output or single negative output.

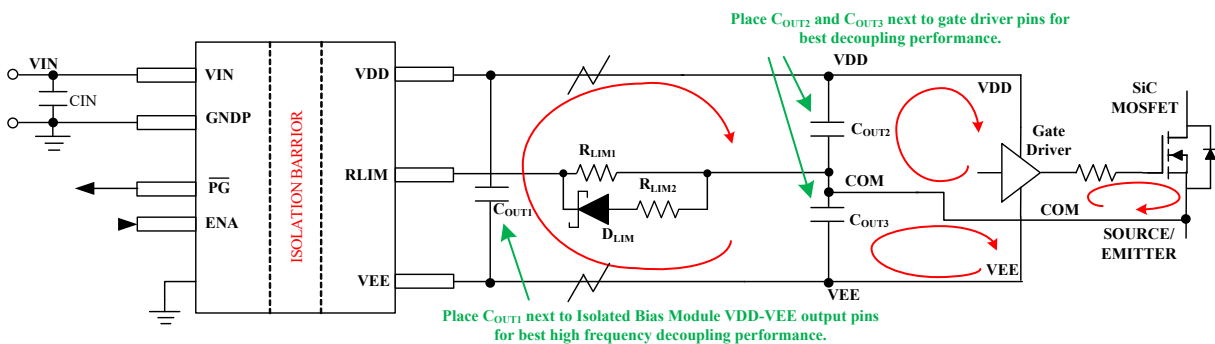
When the module is configured as dual-output, one-positive output, one-negative output; it is very important to properly select the output capacitor ratios  $C_{OUT2}$  and  $C_{OUT3}$  to optimize the regulation and avoid causing an over-voltage or under-voltage fault.

**Table 9-2. Calculated Capacitor Values**

CAPACITOR	VALUE ( $\mu\text{F}$ )	NOTES
$C_{IN}$	20 + 0.1	Place a 20- $\mu\text{F}$ and a 0.1- $\mu\text{F}$ high-frequency decoupling capacitor in parallel close to VIN pins. A capacitance greater than 20 $\mu\text{F}$ can be used to reduce the voltage ripple when the series impedance from the voltage source to the VIN pins is large.
$C_{OUT1}$	10 + 0.1	Add a 10- $\mu\text{F}$ and a 0.1- $\mu\text{F}$ capacitor for high-frequency decoupling of (VDD – VEE). Place close to the VDD and VEE pins. A capacitance greater than 10 $\mu\text{F}$ can be used to reduce the output voltage ripple.
$C_{OUT1B}$	See below	Bulk charge, decoupling output capacitors are required to be located next to the gate driver pins. The $C_{OUT2}$ and $C_{OUT3}$ capacitance ratio is important to optimize the dual output voltage divider accuracy during charge or discharge switching cycles; while the $C_{OUT1B}$ capacitor is used to minimize the total capacitance including $C_{OUT1B}$ , $C_{OUT2}$ , and $C_{OUT3}$ capacitance values.
$C_{OUT2}$	See below	
$C_{OUT3}$	See below	

Output capacitor decoupling is important for optimal gate driver operation. Best high frequency decoupling can be achieved by reducing the parasitic impedance in the charge/discharge path. Using ceramic capacitors with low ESR and low ESL are important, as well as minimizing the trace impedance.

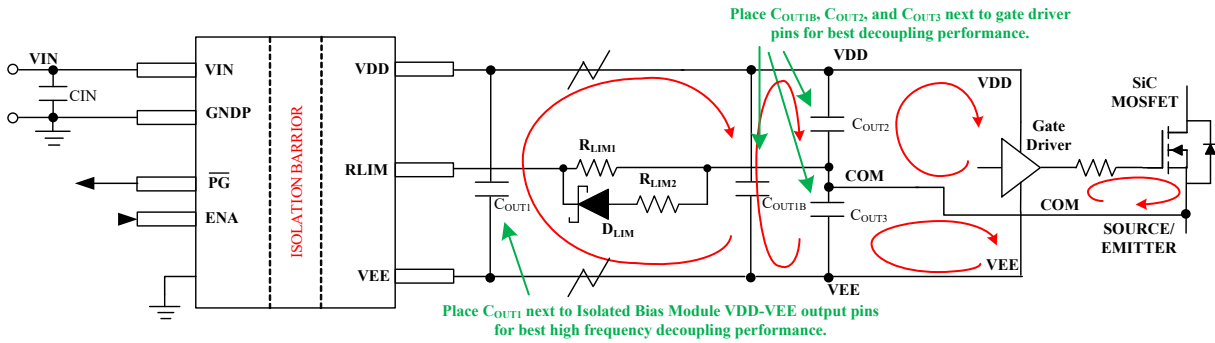
As described in Figure 9-3, a decoupling capacitor  $C_{OUT1}$  is required at the  $V_{VDD-VEE}$  output pins of the UCC14141-Q1 for high frequency decoupling.  $C_{OUT2}$  and  $C_{OUT3}$  however, are needed at the gate driver pins for  $V_{VDD-COM}$  and  $V_{VEE-COM}$  decoupling. The impedance between  $C_{OUT1}$  and the  $C_{OUT2}/C_{OUT3}$  combo prevents the  $C_{OUT1}$  from assisting the high frequency decoupling of the gate driver, requiring the  $C_{OUT2}$  and  $C_{OUT3}$  to take on the full load. The impedance may be contributed from the PCB traces, socket connections, EMI filters, or ferrite beads etc. This causes the  $C_{OUT2}$  and in particular the  $C_{OUT3}$  to get relatively large achieve a small voltage droop.



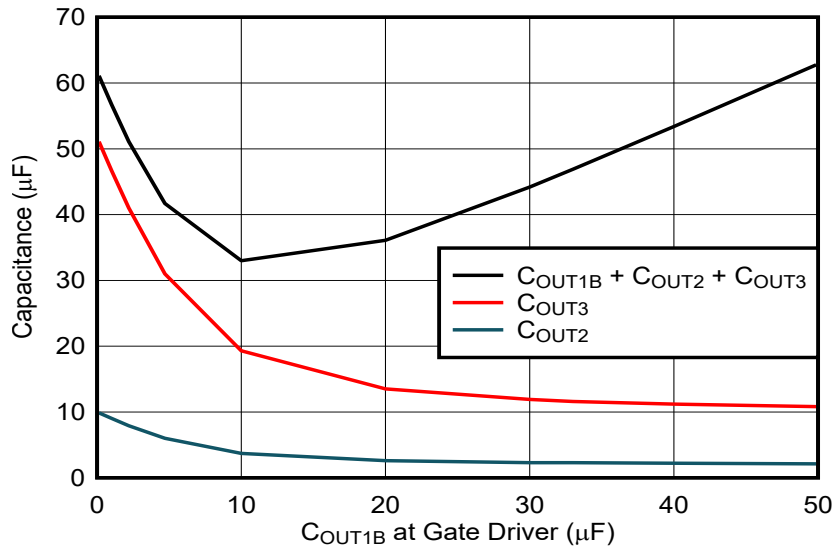
**Figure 9-3. Dual Output Schematic with  $C_{OUT1}$ ,  $C_{OUT2}$ , and  $C_{OUT3}$**

The required  $C_{OUT2}$  and  $C_{OUT3}$  capacitance can be reduced by introducing a  $C_{OUT1B}$  capacitor from  $V_{VDD-VEE}$  at the gate driver pins next to  $C_{OUT2}$  and  $C_{OUT3}$  as shown in Figure 9-4. The  $C_{OUT1B}$  assists with the decoupling total capacitance for both  $C_{OUT2}$  and  $C_{OUT3}$ ; thereby reducing the total capacitance ( $C_{OUT1B} + C_{OUT2} + C_{OUT3}$ ) needed to achieve the desired voltage droop. Figure 9-5 shows that as  $C_{OUT1B}$  is increased from “none” to higher  $C_{OUT1B}$  values, there is a significant reduction in  $C_{OUT2}$  and  $C_{OUT3}$  and reduction of the total net capacitance, until a point of diminishing returns is reached (a “knee” point) where any additional  $C_{OUT1B}$  will have a relatively small reduction of  $C_{OUT2}$  and  $C_{OUT3}$ , and starts more significantly increasing the total net

capacitance. The optimal  $C_{OUT1B}$ ,  $C_{OUT2}$ , and  $C_{OUT3}$  at the minimum total net capacitance benefit both output capacitor size reduction and BOM cost reduction.



**Figure 9-4. Dual Output Schematic with  $C_{out1}$ ,  $C_{out1B}$ ,  $C_{out2}$ , and  $C_{out3}$**



**Figure 9-5. Output Capacitance variation with  $C_{out1B}$  selection**

To calculate  $C_{OUT1B}$ ,  $C_{OUT2}$ , and  $C_{OUT3}$ , we calculate the equivalent (VDD-COM) capacitance, which is equal to the series capacitance of  $C_{OUT1B}$  and  $C_{OUT3}$  in parallel with  $C_{OUT2}$ . This equivalent (VDD-VEE) capacitance will be sized to limit the predetermined (VDD-COM) discharge voltage drop when the power switch (SiC or IGBT) gate charge is turned-on.

$$C_{(VDD-COM)EQ} = \frac{C_{OUT1B} \times C_{OUT3}}{C_{OUT1B} + C_{OUT3}} + C_{OUT2} \quad (1)$$

Solving for acceptable voltage droop on  $V_{VDD-COM}$  from the load transient,  $\Delta V_{(VDD-COM)_{droop}}$ ,

$$C_{(VDD-COM)EQ} = \frac{Q_g}{\Delta V_{(VDD-COM)_{droop}}} \quad (2)$$

The  $C_{OUT2}$  over  $C_{OUT3}$  ratio is defined as a coefficient of  $K_{23}$ , which is the multiplication of a voltage divider ratio along with a ratio of differential current. The voltage divider ratio is from the series configuration of the two capacitors. The current divider ratio is calculated based on the charge current through the two capacitors.  $I_{MAX\_POWER}$  is the maximum instantaneous current from the power module during the burst on-time, which can be obtained from dividing the maximum power on the datasheet SOA curve at  $T_A$  of 25°C by  $V_{VDD-VEE}$ .  $I_{VDD-COM}$  is the total quiescent current between VDD and COM. For gate driver as example,  $I_{VDD-VEE}$  is the current consumption without switching.  $I_{COM-VEE}$  is the total quiescent current between COM and VEE. Based on KCL, the differential current charging up  $C_{OUT2}$  during the burst on-time is  $(I_{MAX\_POWER} - I_{VDD-COM})$ , and the one charging up  $C_{OUT3}$  is  $(I_{MAX\_POWER} - I_{COM-VEE})$ .

$$C_{OUT3} = C_{OUT2} \times K_{23} \quad (3)$$

where

$$K_{23} = \frac{V(VDD - COM) \times (I_{MAX\_POWER} - I_{COM} - VEE)}{V(COM - VEE) \times (I_{MAX\_POWER} - I_{VDD - COM})} \quad (4)$$

Next, plugging the above  $C_{OUT3}$  expression into the [Equation 1](#) we get

$$\frac{Q_g}{\Delta V(VDD - COM)_{droop}} = \frac{C_{OUT1B} \times (C_{OUT2} \times K_{23})}{C_{OUT1B} + (C_{OUT2} \times K_{23})} + C_{OUT2} \quad (5)$$

The total decoupling capacitance close to the point of load ( $C_{OUT\_Total}$ ) is the summation of  $C_{OUT1B}$ ,  $C_{OUT2}$  and  $C_{OUT3}$ . The goal is to find a smallest  $C_{OUT1B}$  to reduce  $C_{OUT\_Total}$  to the minimum for BOM cost and footprint saving, while retaining the desired load transient performance. The optimal  $C_{OUT1B}$  can be calculated by solving the partial derivative of  $C_{OUT\_Total}$  equal to 0.

$$\frac{dC_{OUT\_Total}}{dC_{OUT1B}} = \frac{d}{dC_{OUT1B}}(C_{OUT1B} + C_{OUT2} + C_{OUT3}) = 0 \quad (6)$$

Including the above  $C_{OUT3}$  and  $C_{OUT2}$  expressions onto [Equation 6](#), the optimal  $C_{OUT1B}$  is derived as

$$C_{OUT1B} = \frac{K_{23} \times Q_g \times (K_{23}^3 + \sqrt{K_{23}^2 + K_{23} + 1} + K_{23}^2 \times \sqrt{K_{23}^2 + K_{23} + 1} - 1)}{\Delta V(VDD - COM)_{droop} \times (K_{23} + 1)^2 \times (K_{23}^2 + K_{23} + 1)} \quad (7)$$

After that, solving [Equation 5](#) including [Equation 7](#),  $C_{OUT2}$  can be solved as

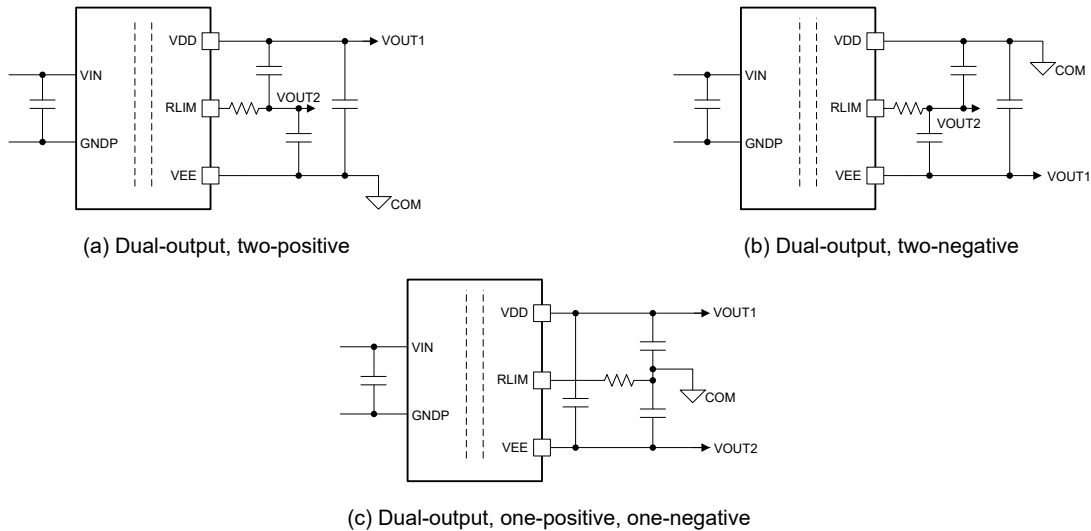
$$C_{OUT2} = \frac{K_{23} \times Q_g - (1 + K_{23}) \times C_{OUT1B} \times \Delta V(VDD - COM)_{droop}}{2 \times K_{23} \times \Delta V(VDD - COM)_{droop}} \quad (8)$$

$$+ \frac{\sqrt{C_{OUT1B}^2 \Delta V(VDD - COM)_{droop}^2 (K_{23}^2 + 2K_{23} + 1) + 2C_{OUT1B} K_{23} Q_g \Delta V(VDD - COM)_{droop} (1 - K_{23}) + K_{23}^2 Q_g^2}}{2 \times K_{23} \times \Delta V(VDD - COM)_{droop}}$$

Overall, the design procedure of the three decoupling capacitors starts with  $C_{OUT1B}$  calculation, followed by  $C_{OUT2}$  and then  $C_{OUT3}$  calculation. The final capacitor values will be used to calculate  $R_{LIM}$ , as described in the next section.

### 9.2.2.2 Single $R_{LIM}$ Resistor Selection

The UCC14141-Q1 device creates an isolated output VDD-VEE as its main output. It also creates a second output COM-VEE, using VDD-VEE as its power source. Because both outputs are isolated from the input, and sharing VEE as the common reference point, the UCC14141-Q1 outputs can be configured as dual-output two-positive, dual-output two-negative, or dual-output one-positive and one-negative, as shown in Figure 9-6.



**Figure 9-6. Dual output configurations**

When the module is configured as dual-positive or dual-negative outputs, the  $R_{LIM}$  resistor is a true current limiting resistor. Set up the  $R_{LIM}$  resistor value as the maximum load current needed for  $V_{OUT2}$ , using Equation 9.  $I_{VOUT2\_max}$  is the maximum load current for  $V_{OUT2}$  output.

$$R_{LIM} = \frac{V_{OUT2}}{I_{VOUT2\_max}} - R_{LIM\_INT} \quad (9)$$

$R_{LIM\_INT}$  is the internal switch resistance value of 30  $\Omega$  typical.

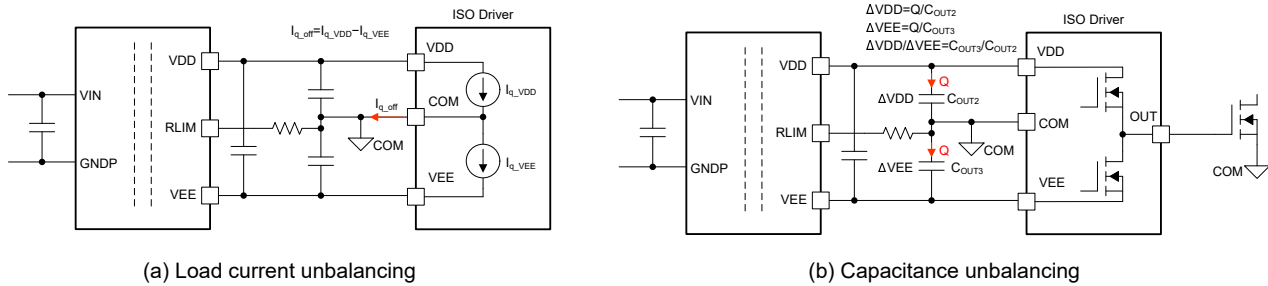
For isolated gate driver applications, one positive and one negative outputs are needed. In this case, VDD-VEE is the total output voltage, and the middle point becomes the reference point. Because the total voltage between VDD and VEE is always regulated through the FBVDD feedback, the  $R_{LIM}$  pin only must regulate the middle point voltage so that it can give the correct positive and negative voltages. The  $R_{LIM}$  control is achieved through FBVEE pin as described in COM-VEE Voltage Regulation.

Based on Capacitor Selection, when selecting the output capacitor ratio proportional to the voltage ratio, the capacitors form a voltage divider. The middle point voltage must naturally give the correct positive and negative voltages. At the same time, for the gate driver circuit, the gate charge pulled out from the positive rail capacitor during turn-on is fed back to the negative rail capacitor during turn-off, the two output rail load must always be balanced. However, due to the gate driver circuit quiescent current unbalancing, and the two-rail capacitance tolerances, the middle point voltage can move away with time. The  $R_{LIM}$  pin provides an opposite current to keep the middle point voltage at the correct level.

As illustrated in Figure 9-7 (a), without considering the gate charge, the gate driver circuit quiescent current loads the positive rail and negative rail differently. The net current shows up as a DC offset current to the middle point.

As illustrated in Figure 9-7 (b), every time the gate driver circuit turns-on the main power switch, it pulls the charge out of the positive and negative rail output capacitors. When the module power stage provides energy to the secondary side, refreshing those capacitors, the same charge is fed into both capacitors. If the capacitor values are perfect, the voltage rise in the capacitors will be proportional. The positive and negative voltages

would not change. However, due to the capacitor tolerances, the capacitor values are not perfectly matched. The voltages will rise at different ratios with the smaller capacitor rising faster. Over time, the middle point voltage, COM, would pull to a different value. A load across one of the capacitors will pull towards a voltage imbalance. The RLIM function counteract the voltage imbalance and bring the COM voltage back into regulation.



**Figure 9-7. Source of voltage unbalancing**

Considering these two effects, the R<sub>LIM</sub> must provide enough current to compensate this offset current. The R<sub>LIM</sub> must be low enough to provide enough current, but not too low otherwise the middle point voltage is corrected at each turn on and turn off edge of the gate driver and excessive power loss is generated.

The R<sub>LIM</sub> resistor is chosen to provide enough current for the load using the following 3 equations, whichever has lowest value.

$$R_{LIM\_MAX\_H} = \frac{V_{VDD} - COM}{\left[ \frac{C_{OUT3} \times (1 - \Delta C_{OUT3})}{C_{OUT2} \times (1 - \Delta C_{OUT2}) + C_{OUT3} \times (1 - \Delta C_{OUT3})} - \frac{C_{OUT3}}{C_{OUT2} + C_{OUT3}} \right] \times Q_{G\_Total} \times f_{SW} + \Delta I_{COM\_SOURCE}} - R_{LIM\_INT} \quad (10)$$

where

- Q<sub>G\_Total</sub> is the total gate charge of power switch.
- f<sub>SW</sub> is the switching frequency of gate drive load.
- ΔI<sub>COM\_SOURCE</sub> = I<sub>COM-VEE</sub> - I<sub>VDD-COM</sub>, when I<sub>COM-VEE</sub> > I<sub>VDD-COM</sub>. Otherwise, ΔI<sub>COM\_SOURCE</sub> = 0A.

$$R_{LIM\_MAX\_L1} = \frac{V_{COM} - V_{EE}}{\left[ \frac{C_{OUT2} \times (1 - \Delta C_{OUT2})}{C_{OUT2} \times (1 - \Delta C_{OUT2}) + C_{OUT3} \times (1 - \Delta C_{OUT3})} - \frac{C_{OUT2}}{C_{OUT2} + C_{OUT3}} \right] \times Q_{G\_Total} \times f_{SW} + \Delta I_{COM\_SINK}} - R_{LIM\_INT} \quad (11)$$

where ΔI<sub>COM\_SINK</sub> = I<sub>VDD-COM</sub> - I<sub>COM-VEE</sub>, when I<sub>COM-VEE</sub> < I<sub>VDD-COM</sub>. Otherwise, ΔI<sub>COM\_SINK</sub> = 0A.

$$R_{LIM\_MAX\_L2} = \frac{V_{COM} - V_{EE}}{\left[ (C_{OUT3} + TOLERANCE_{C_{OUT3}}) \times \frac{0.10 \times V_{COM} - V_{EE}}{3 \text{ ms}} \right] + \Delta I_{COM\_SINK}} - R_{LIM\_INT} \quad (12)$$

Select R<sub>LIM</sub> value to be the lowest of either 1) the R<sub>LIM</sub> needed for capacitor imbalance and the load, calculated by R<sub>LIM\_MAX\_H</sub> and R<sub>LIM\_MAX\_L1</sub>, or 2) the R<sub>LIM</sub> needed to respond to a V<sub>COM-VEE</sub> transient within 3 ms with the given load current, calculated by R<sub>LIM\_MAX\_L2</sub>.

R<sub>LIM</sub> value determines response time of (COM – VEE) regulation. Too low an R<sub>LIM</sub> value can cause oscillation and can overload (VDD – VEE). Too high an R<sub>LIM</sub> value can give offset errors, due to slow response. If R<sub>LIM</sub> is greater than above calculations, then there is not enough current available to replenish the charge to the output capacitors, causing a charge imbalance where the voltage is not able to maintain regulation, and eventually exceeds the OVP or UVP FAULT thresholds and shutting down the device for protection. Choose R<sub>LIM</sub> value to be close but smaller than the smallest value of the three calculated results.

The power loss of R<sub>LIM</sub> can be derived as

$$P_{RLIM} = \frac{V_{VDD} - COM^2}{R_{LIM}} \text{Duty}_{RLIM} + \left( \left[ \frac{C_{OUT2} \times (1 - \Delta C_{OUT2})}{C_{OUT2} \times (1 - \Delta C_{OUT2}) + C_{OUT3} \times (1 - \Delta C_{OUT3})} - \frac{C_{OUT2}}{C_{OUT2} + C_{OUT3}} \right] \times Q_{G\_Total} \times f_{SW} + \Delta I_{COM\_SINK} \right)^2 \times R_{LIM} \quad (13)$$

where  $\text{Duty}_{RLIM}$  is the duty cycle of RLIM-pin switch on-time respect to the switching cycle. 33% can be used as a reasonable rule of thumb for power loss calculation purpose.

### 9.2.2.3 RDR Circuit Component Selection

$R_{LIM1}$  value is chosen by Equation 10.  $R_{LIM2}$  value is chosen by

$$R_{LIM2} = \frac{V_{COM} - V_{EE} - 0.5}{V_{COM} - V_{EE} \cdot \left( \frac{1}{R_{LIM\_MAX\_L}} - \frac{1}{R_{LIM\_MAX\_H}} \right)} \quad (14)$$

where  $R_{LIM\_MAX\_L}$  is the smallest value between  $R_{LIM\_MAX\_L1}$  and  $R_{LIM\_MAX\_L2}$  in the Single  $R_{LIM}$  Resistor Selection Section, and 0.5V represents the diode forward voltage drop of  $D_{LIM}$ .

When the calculated  $R_{LIM1}$  and  $R_{LIM2}$  values have large enough difference, the RDR improvement on efficiency will be significant. If  $R_{LIM1}$  and  $R_{LIM2}$  values are close, then single  $R_{LIM}$  resistor can be considered to reduce the external components.

The power loss of  $R_{LIM1}$  can be derived as

$$P_{RLIM1} = \frac{V_{DD} - COM^2}{R_{LIM1}} Duty_{RLIM} + \left( I_{SINK} \times \frac{V_{COM} - V_{EE} \times R_{LIM2}}{V_{COM} - V_{EE} \times R_{LIM2} + (V_{COM} - V_{EE} - 0.5) \times R_{LIM1}} \right)^2 \times R_{LIM1} \quad (15)$$

where

$$I_{SINK} = \left[ \frac{C_{OUT2} \times (1 - \Delta C_{OUT2})}{C_{OUT2} \times (1 - \Delta C_{OUT2}) + C_{OUT3} \times (1 - \Delta C_{OUT3})} - \frac{C_{OUT2}}{C_{OUT2} + C_{OUT3}} \right] \times Q_{GTotal} \times f_{SW} + \Delta I_{COMSINK} \quad (16)$$

The power loss of  $R_{LIM2}$  can be approximated as

$$P_{RLIM2} = \left( I_{SINK} \times \frac{(V_{COM} - V_{EE} - 0.5) \times R_{LIM1}}{V_{COM} - V_{EE} \times R_{LIM2} + (V_{COM} - V_{EE} - 0.5) \times R_{LIM1}} \right)^2 \times R_{LIM2} \quad (17)$$

The maximum voltage rating of diode  $D_{LIM}$  needs to consider the highest  $V_{DD-to-VEE}$ . The maximum current rating of  $D_{LIM}$  can be chosen based on the derating from the worst-case continuous current,  $(V_{COM-to-VEE} - V_{F\_DLIM}) / R_{LIM2}$ , where  $V_{F\_DLIM}$  is the forward voltage of  $D_{LIM}$ . The diode package size is determined based on the power loss in forward conduction,  $P_{Loss\_DLIM} = V_{F\_DLIM} \times ((V_{COM-to-VEE} - V_{F\_DLIM}) / R_{LIM2})$ . A Schottky diode is recommended to reduce the power loss.



## 9.4 Power Supply Recommendations

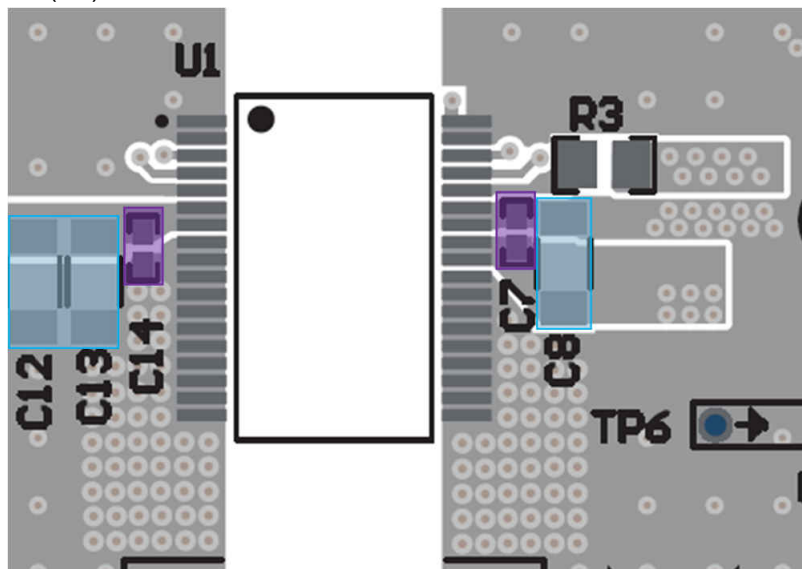
The recommended input supply voltage ( $V_{VIN}$ ) for UCC14141-Q1 is between 8 V and 18 V. To help ensure reliable operation, adequate decoupling capacitors must be located as close to supply pins as possible. Local bypass capacitors must be placed between the VIN and GNDP pins at the input; between VDD and VEE at the isolated output supply; and COM and VEE at the lower voltage output supply. TI recommends low ESR, ceramic surface mount capacitors. Table 9-2 provides the recommended capacitance for high frequency decoupling. The input supply must have an appropriate current rating to support output load required by the end application.

## 9.5 Layout

### 9.5.1 Layout Guidelines

The UCC14141-Q1 integrated isolated power solution simplifies system design and reduces board area usage. Follow these guidelines for proper PCB layout to achieve optimum performance. A minimum of 4-layer PCB layer stack using 2-ounce copper on external layers is recommended to accomplish a good thermal PCB design.

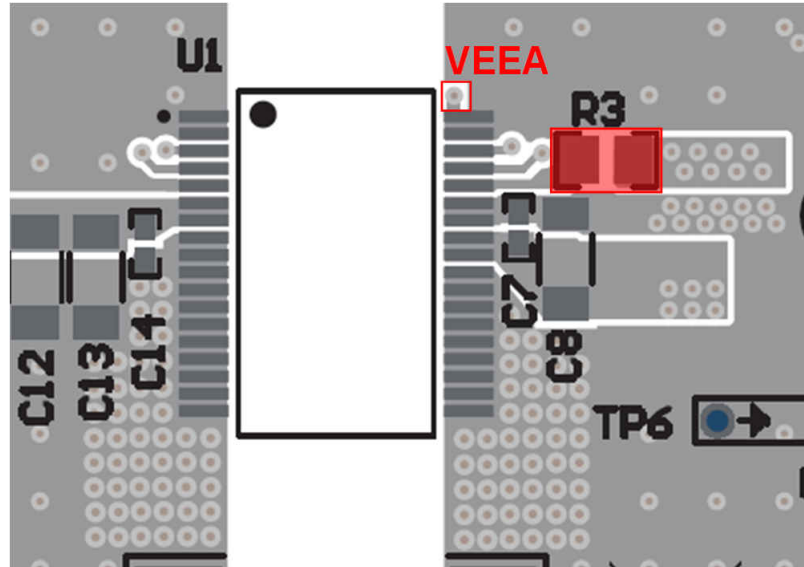
1. Input capacitors:
  - a. Place the 0.1- $\mu$ F high frequency bypass capacitor (C14) as close as possible to pins 6, 7 (VIN) and pins 8–18 (GNDP) and on the same side of the PCB as the IC. 0402 ceramic SMD or smaller is a desired size for optimal placement. Do not place any vias between the bypass capacitor and the IC pins so as to force the high frequency current through the capacitor.
  - b. Place the bulk VIN capacitor(s) (C12, C13) as close as possible and parallel to the 0.1  $\mu$ F high frequency bypass capacitor (C14) and on the same side of the PCB as the IC.
2. Output capacitors:
  - a. Place the 0.1- $\mu$ F high frequency bypass capacitor (C7) as close as possible to pins 28, 29 (VDD) and pins 30, 31 (VEE) and on the same side of the PCB as the IC. 0402 ceramic SMD or smaller is a desired size for optimal placement. Do not place any vias between the bypass capacitor and the IC pins so as to force the high frequency current through the capacitor.
  - b. Place the bulk VDD-VEE capacitor (C8) as close as possible and parallel to the 0.1- $\mu$ F high frequency bypass capacitor (C7) and on the same side of the PCB as the IC.



**Figure 9-10.**

3. Gate driver output capacitors:  $C_{OUT2}$  and  $C_{OUT3}$  are reference designators referred to in the Excel calculator tool.  $C_{OUT2}$  is the capacitor(s) between VDD-COM and  $C_{OUT3}$  is the capacitor(s) between COM-VEE.  $C_{OUT2}$  and  $C_{OUT3}$  are capacitors required by the gate driver IC. Proper selection and component placement of  $C_{OUT2}$  and  $C_{OUT3}$  are critical for optimal performance of the UCC14141-Q1 and the gate driver IC.
  - a.  $C_{OUT2}$  and  $C_{OUT3}$  should be placed next to the gate driver IC for best decoupling and gate driver switching performance

- b. Adding a  $C_{OUT1B}$  between VDD-VEE but placed at the gate driver in parallel with  $C_{OUT2}$  and  $C_{OUT3}$  will reduce the total capacitance needed and reduce the sensitivity to capacitor variation, and will allow to use a higher  $R_{LIM}$  resistance value.
4.  $R_{LIM}$ : Place  $R_{LIM}$  (R3) close to pin 32 and between the COM midpoint of the output capacitive divider. The via pattern shown to the right of R3 connects to COM.



**Figure 9-11.**

5. Feedback:
  - a. VEEA (pin 35) should be isolated through all PCB layers, from the VEE plane as shown in the red box below. Use one via to make a direct connection to the FBVDD and FBVEE low-side resistors and capacitors (C15-16, R6-7), shown on the bottom side of the PCB.
  - b. Place feedback resistors (R4-7) and 330-pF ceramic capacitor in parallel with low-side resistors (R6-7) close to the IC preferably on the opposite side of IC (as shown in EVM), or on same layer as IC near pin 36.
  - c. The top-side feedback resistor should be placed next to the low-side resistor with a short, direct connection between both resistors and single connection to FBVDD. The top connection to sense the regulated rail (VDD-VEE) should be routed and connected at the VDD bias capacitor remote location near the gate driver pins for best accuracy and best transient response.
  - d. The top-side feedback resistor should be placed next to the low-side resistor with a short, direct connection between both resistors and single connection to FBVEE; while the top connection to sense the regulated rail (COM-VEE) should be routed and connected at the COM bias capacitor remote location near the gate driver pins for best accuracy and best transient response.

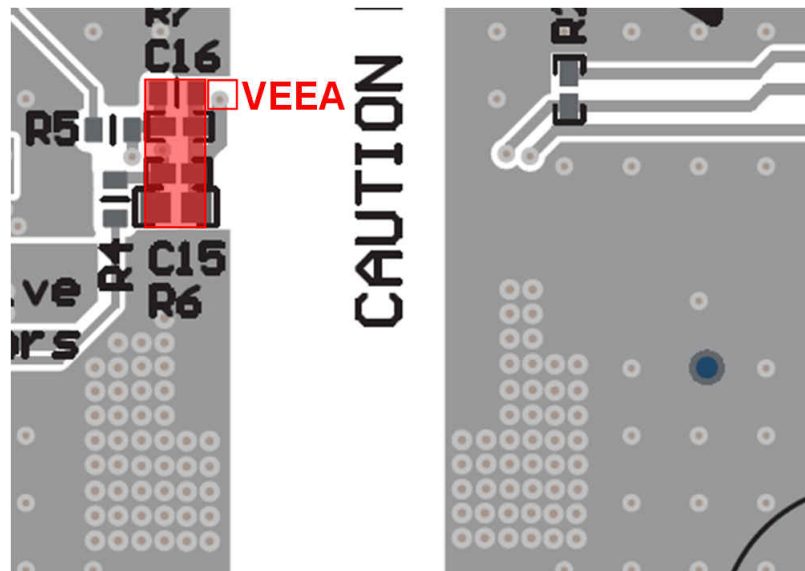


Figure 9-12.

6. Thermal Vias: The UCC14141-Q1 internal transformer makes a direct connection to the lead frame. It is therefore critical to provide adequate space and proper heatsinking designed into the PCB as outlined in the steps below.
  - a. TI recommends to connect the VIN, GNDP, VDD, and VEE pins to internal ground or power planes through multiple vias. Alternatively, make the polygons connected to these pins as wide as possible.
  - b. Use multiple thermal vias connecting PCB top side GNDP copper to bottom side GNDP copper. If possible, it is recommended to use 2-ounce copper on external top and bottom PCB layers.
  - c. Use multiple thermal vias connecting PCB top side VEE copper to bottom side VEE copper. If possible, it is recommended to use 2-ounce copper on external top and bottom PCB layers.
  - d. Thermal vias connecting top and bottom copper can also connect to internal copper layers for further improved heat extraction.
  - e. Thermal vias should be similar to pattern shown below but apply as many as the copper area will allow. The [UCC14141EVM-068](#) uses thermal via arrays of approximately 220 mil x 350 mil (48 thermal vias on GNDP primary and 54 thermal vias on VEE secondary). Thermal via is 30 mil diameter, 12 mil hole size.

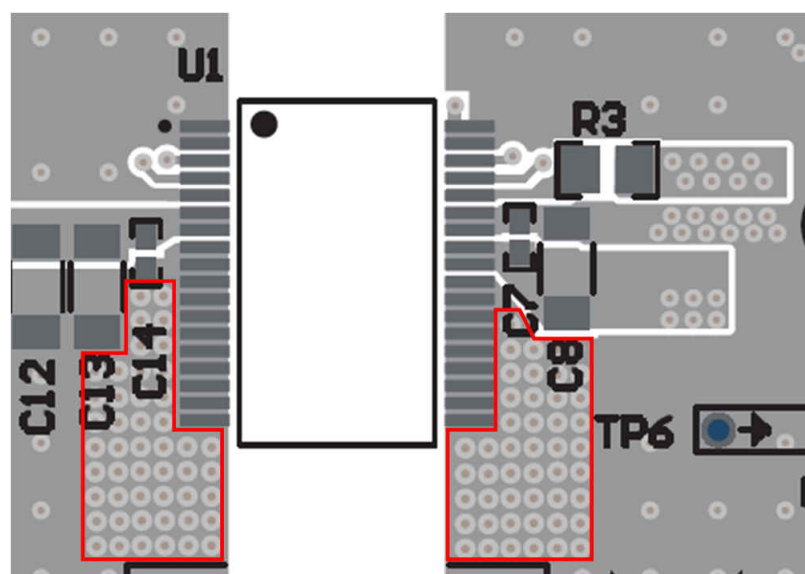
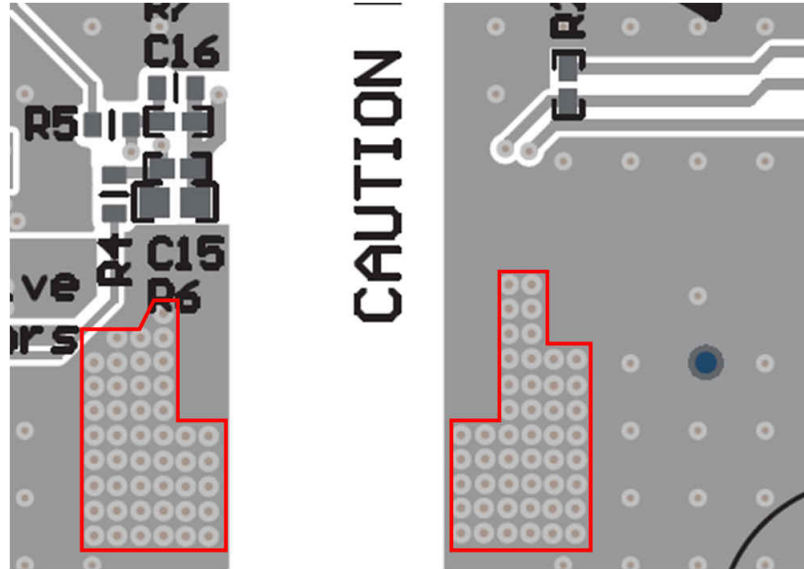
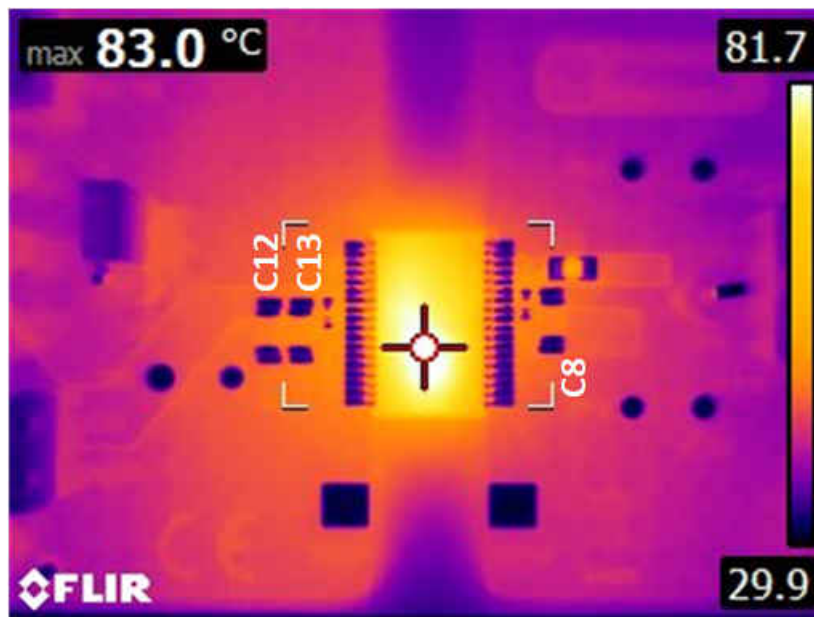


Figure 9-13.



**Figure 9-14.**

- f. As seen in the Thermal Image, there is a point of diminishing return, regarding the number of vias and size of the thermal via array. For 1.5-W of output power, heat transfer is shown to quickly diminish just beyond C12 and C8. The distance from the inner pad line of U1 to C12 is 320 mils.



**Figure 9-15. Thermal Image**

- 7. Creepage clearance: Avoid routing copper under the UCC14141-Q1, to maintain the full creepage, clearance and basic voltage isolation ratings specified in the data sheet. Maintain the clearance width highlighted in red, throughout the entire defined isolation barrier. Keep-out clearance for basic isolation can be 50% less than the reinforced isolation requirement (8mm). Using 8mm provides additional margin.

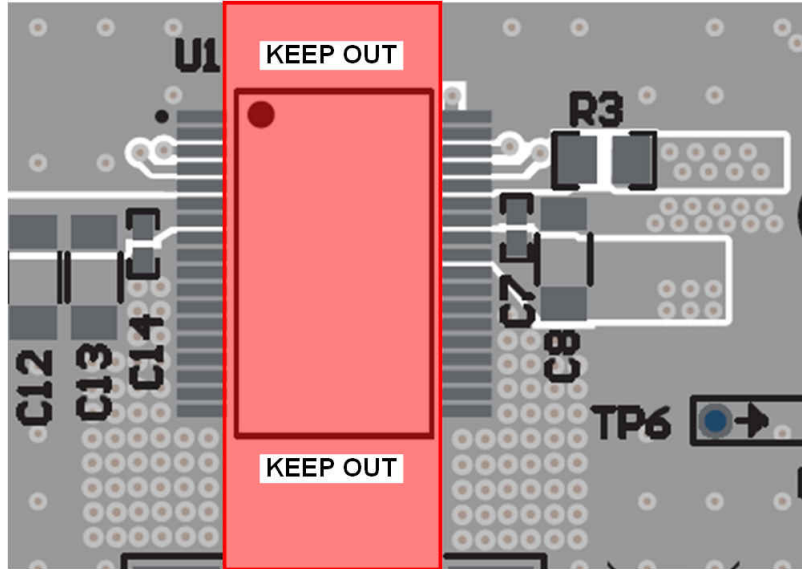


Figure 9-16.

8. Gate driver capacitors and feedback routing:

- a. VDD-COM and VEE-COM capacitors are populated on the [UCC14141EVM-068](#) but these capacitors need to be placed as close to the associated gate driver pins as possible.
- b. For optimal voltage regulation, the feedback trace from COM (COM FB) and VDD (VDD FB) should be as direct as possible so that the voltage feedback is being sensed directly at the VDD and COM capacitors near the gate driver IC.

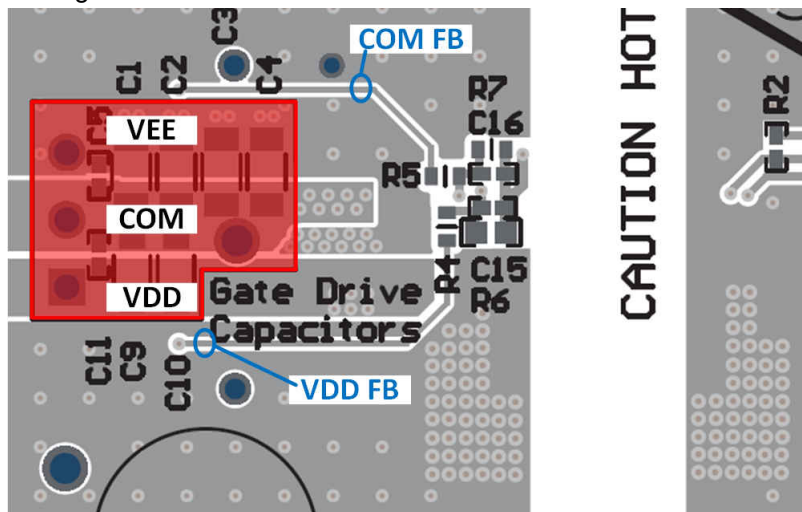
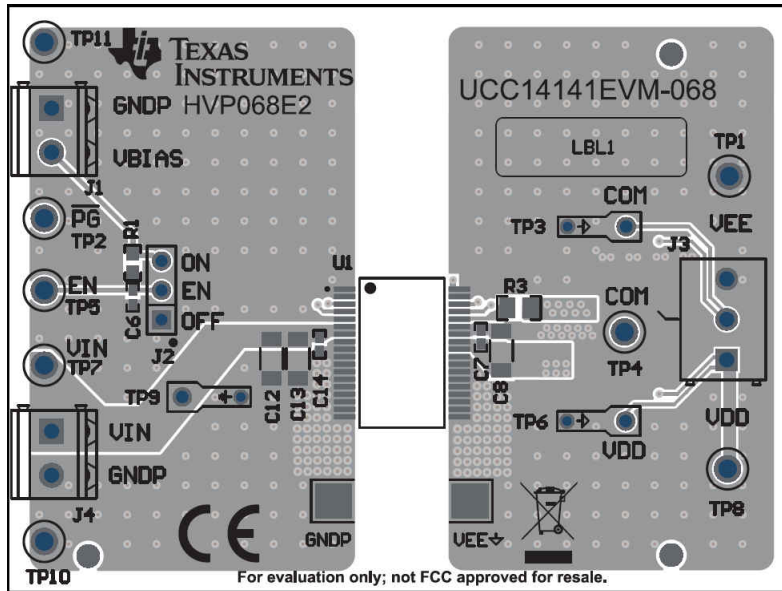


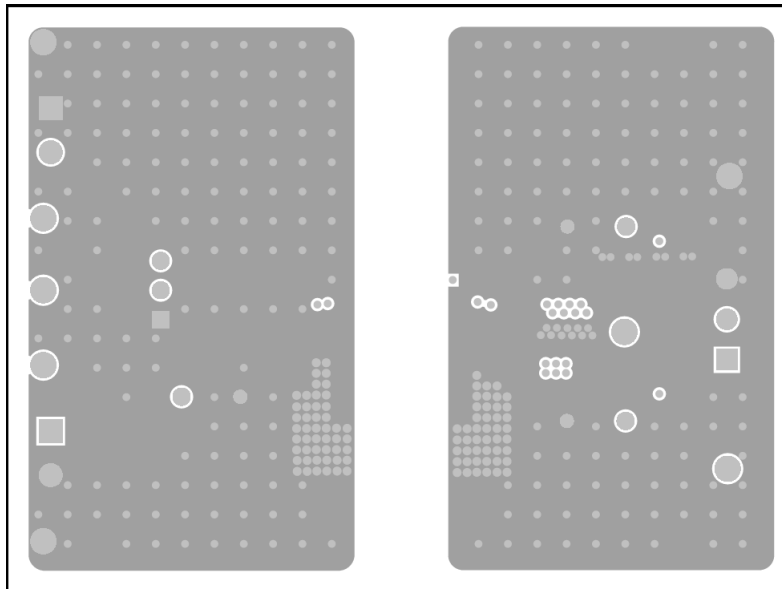
Figure 9-17.

### 9.5.2 Layout Example

The layout example shown in the following figures is from the evaluation board UCC14141-Q1EVM, UCC14141EVM-068, and based on the Figure 9-1 design.



**Figure 9-18. UCC14141-Q1EVM, PCB Top Layer, Assembly**



**Figure 9-19. UCC14141-Q1EVM, Signal Layer 2 (Same as Layer 3)**

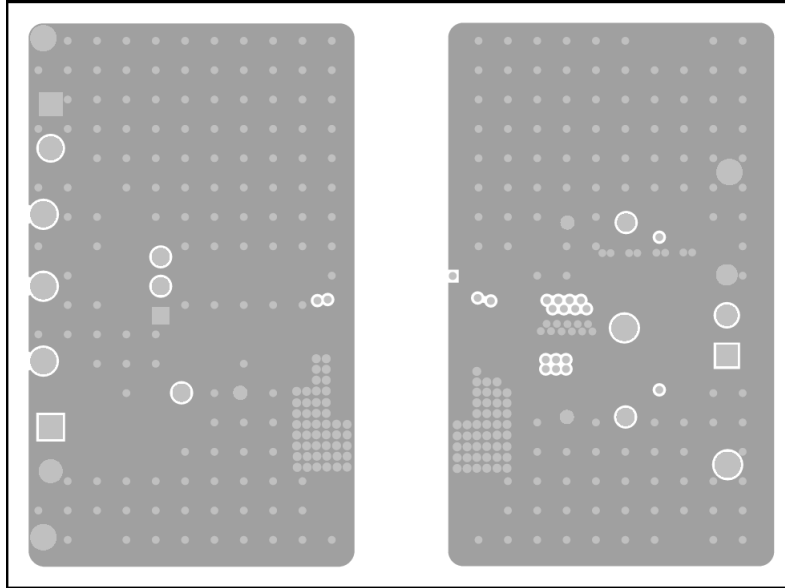


Figure 9-20. UCC14141-Q1EVM, Signal Layer 3 (Same as Layer 2)

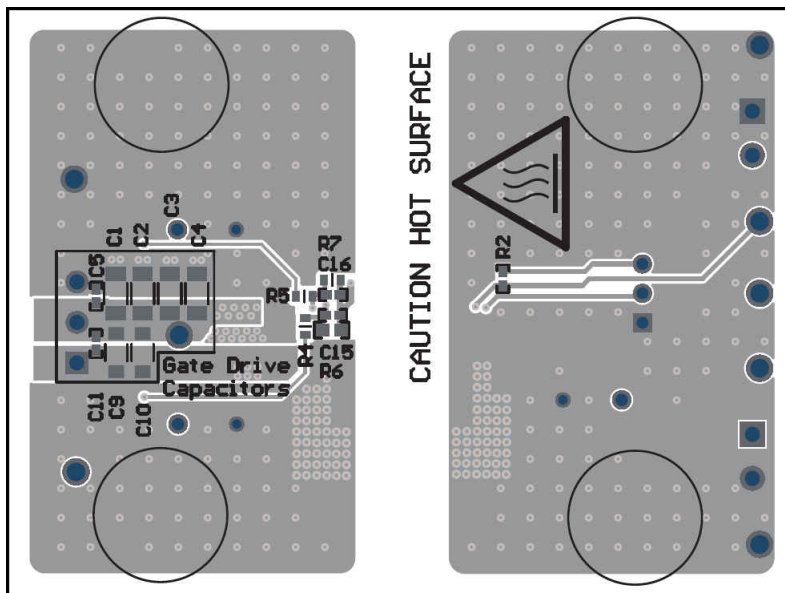


Figure 9-21. UCC14141-Q1EVM, PCB Bottom Layer, Assembly (Mirrored View)

## 10 Device and Documentation Support

### 10.1 Documentation Support

#### 10.1.1 Related Documentation

For related documentation, see the following:

- Texas Instruments, [Using the UCC14240EVM-052 for Biasing Traction Inverter Gate Driver ICs Requiring Single, Positive or Dual, Positive/Negative Bias Power user's guide](#)
- Texas Instruments, [Isolation Glossary](#)

#### 10.2 Receiving Notification of Documentation Updates

To receive notification of documentation updates, navigate to the device product folder on [ti.com](https://www.ti.com). Click on *Subscribe to updates* to register and receive a weekly digest of any product information that has changed. For change details, review the revision history included in any revised document.

#### 10.3 Support Resources

[TI E2E™ support forums](#) are an engineer's go-to source for fast, verified answers and design help — straight from the experts. Search existing answers or ask your own question to get the quick design help you need.

Linked content is provided "AS IS" by the respective contributors. They do not constitute TI specifications and do not necessarily reflect TI's views; see TI's [Terms of Use](#).

#### 10.4 Trademarks

TI E2E™ is a trademark of Texas Instruments.

All trademarks are the property of their respective owners.

#### 10.5 Electrostatic Discharge Caution



This integrated circuit can be damaged by ESD. Texas Instruments recommends that all integrated circuits be handled with appropriate precautions. Failure to observe proper handling and installation procedures can cause damage.

ESD damage can range from subtle performance degradation to complete device failure. Precision integrated circuits may be more susceptible to damage because very small parametric changes could cause the device not to meet its published specifications.

#### 10.6 Glossary

[TI Glossary](#) This glossary lists and explains terms, acronyms, and definitions.

## 11 Mechanical, Packaging, and Orderable Information

The following pages include mechanical, packaging, and orderable information. This information is the most current data available for the designated devices. This data is subject to change without notice and revision of this document. For browser-based versions of this data sheet, refer to the left-hand navigation.

**PACKAGING INFORMATION**

Orderable part number	Status (1)	Material type (2)	Package   Pins	Package qty   Carrier	RoHS (3)	Lead finish/ Ball material (4)	MSL rating/ Peak reflow (5)	Op temp (°C)	Part marking (6)
<a href="#">UCC14141QDWNRQ1</a>	Active	Production	SO-MOD (DWN)   36	750   LARGE T&R	Yes	NIPDAU	Level-3-260C-168 HR	-40 to 125	UCC14141-Q1
UCC14141QDWNRQ1.A	Active	Production	SO-MOD (DWN)   36	750   LARGE T&R	Yes	NIPDAU	Level-3-260C-168 HR	-40 to 125	UCC14141-Q1

(1) **Status:** For more details on status, see our [product life cycle](#).

(2) **Material type:** When designated, preproduction parts are prototypes/experimental devices, and are not yet approved or released for full production. Testing and final process, including without limitation quality assurance, reliability performance testing, and/or process qualification, may not yet be complete, and this item is subject to further changes or possible discontinuation. If available for ordering, purchases will be subject to an additional waiver at checkout, and are intended for early internal evaluation purposes only. These items are sold without warranties of any kind.

(3) **RoHS values:** Yes, No, RoHS Exempt. See the [TI RoHS Statement](#) for additional information and value definition.

(4) **Lead finish/Ball material:** Parts may have multiple material finish options. Finish options are separated by a vertical ruled line. Lead finish/Ball material values may wrap to two lines if the finish value exceeds the maximum column width.

(5) **MSL rating/Peak reflow:** The moisture sensitivity level ratings and peak solder (reflow) temperatures. In the event that a part has multiple moisture sensitivity ratings, only the lowest level per JEDEC standards is shown. Refer to the shipping label for the actual reflow temperature that will be used to mount the part to the printed circuit board.

(6) **Part marking:** There may be an additional marking, which relates to the logo, the lot trace code information, or the environmental category of the part.

Multiple part markings will be inside parentheses. Only one part marking contained in parentheses and separated by a "~" will appear on a part. If a line is indented then it is a continuation of the previous line and the two combined represent the entire part marking for that device.

**Important Information and Disclaimer:**The information provided on this page represents TI's knowledge and belief as of the date that it is provided. TI bases its knowledge and belief on information provided by third parties, and makes no representation or warranty as to the accuracy of such information. Efforts are underway to better integrate information from third parties. TI has taken and continues to take reasonable steps to provide representative and accurate information but may not have conducted destructive testing or chemical analysis on incoming materials and chemicals. TI and TI suppliers consider certain information to be proprietary, and thus CAS numbers and other limited information may not be available for release.

In no event shall TI's liability arising out of such information exceed the total purchase price of the TI part(s) at issue in this document sold by TI to Customer on an annual basis.

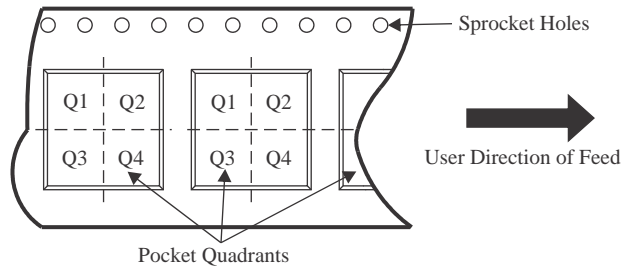
**OTHER QUALIFIED VERSIONS OF UCC14141-Q1 :**

- Catalog : [UCC34141-Q1](#)

NOTE: Qualified Version Definitions:

- Catalog - TI's standard catalog product

**TAPE AND REEL INFORMATION**

**QUADRANT ASSIGNMENTS FOR PIN 1 ORIENTATION IN TAPE**


\*All dimensions are nominal

Device	Package Type	Package Drawing	Pins	SPQ	Reel Diameter (mm)	Reel Width W1 (mm)	A0 (mm)	B0 (mm)	K0 (mm)	P1 (mm)	W (mm)	Pin1 Quadrant
UCC14141QDWNRQ1	SO-MOD	DWN	36	750	330.0	24.4	10.85	13.4	4.0	16.0	24.0	Q1

**TAPE AND REEL BOX DIMENSIONS**


\*All dimensions are nominal

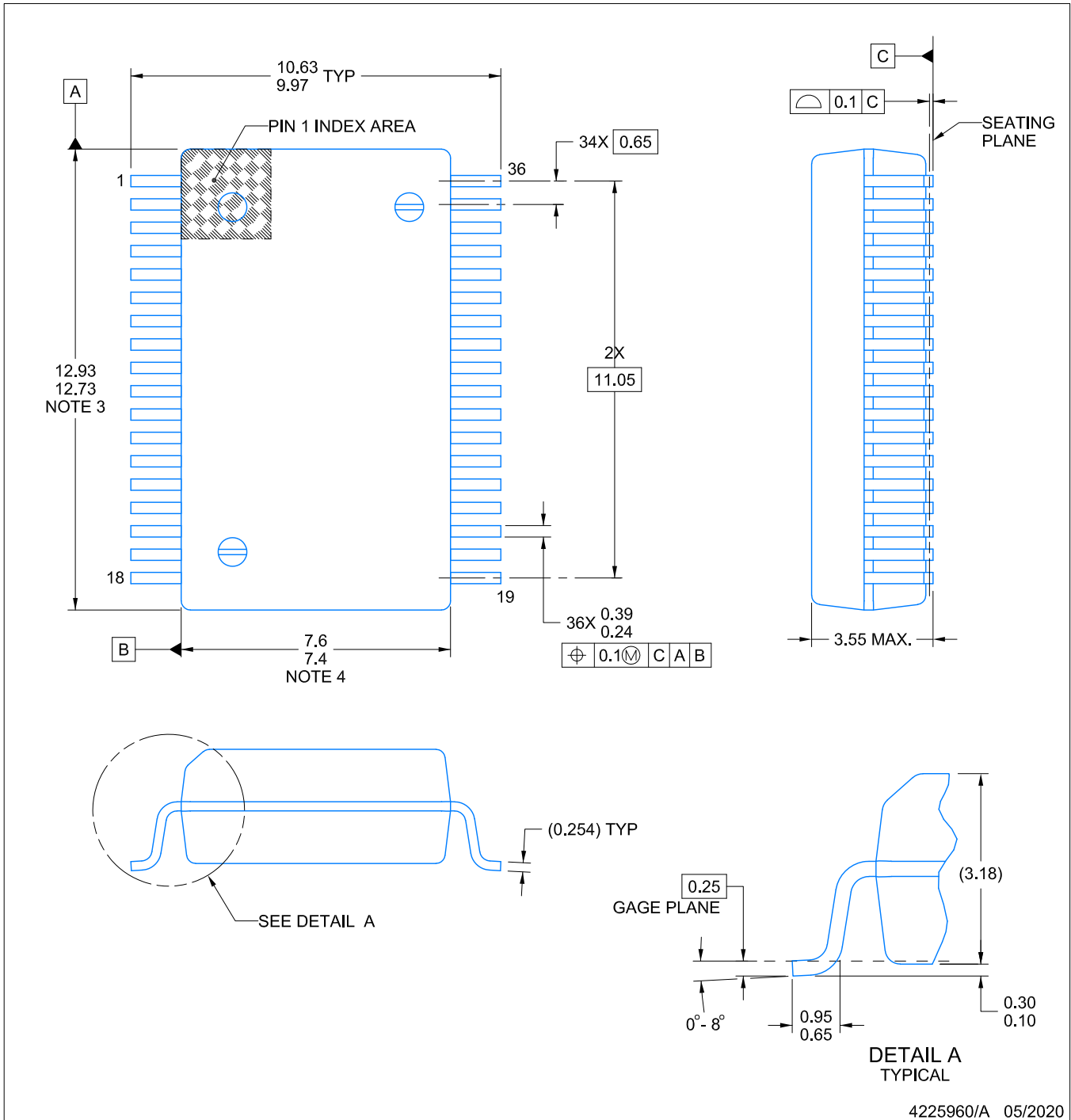
Device	Package Type	Package Drawing	Pins	SPQ	Length (mm)	Width (mm)	Height (mm)
UCC14141QDWRQ1	SO-MOD	DWN	36	750	350.0	350.0	43.0

# PACKAGE OUTLINE

**DWN0036A**

**SSOP - 3.55 mm max height**

SMALL OUTLINE PACKAGE



4225960/A 05/2020

**NOTES:**

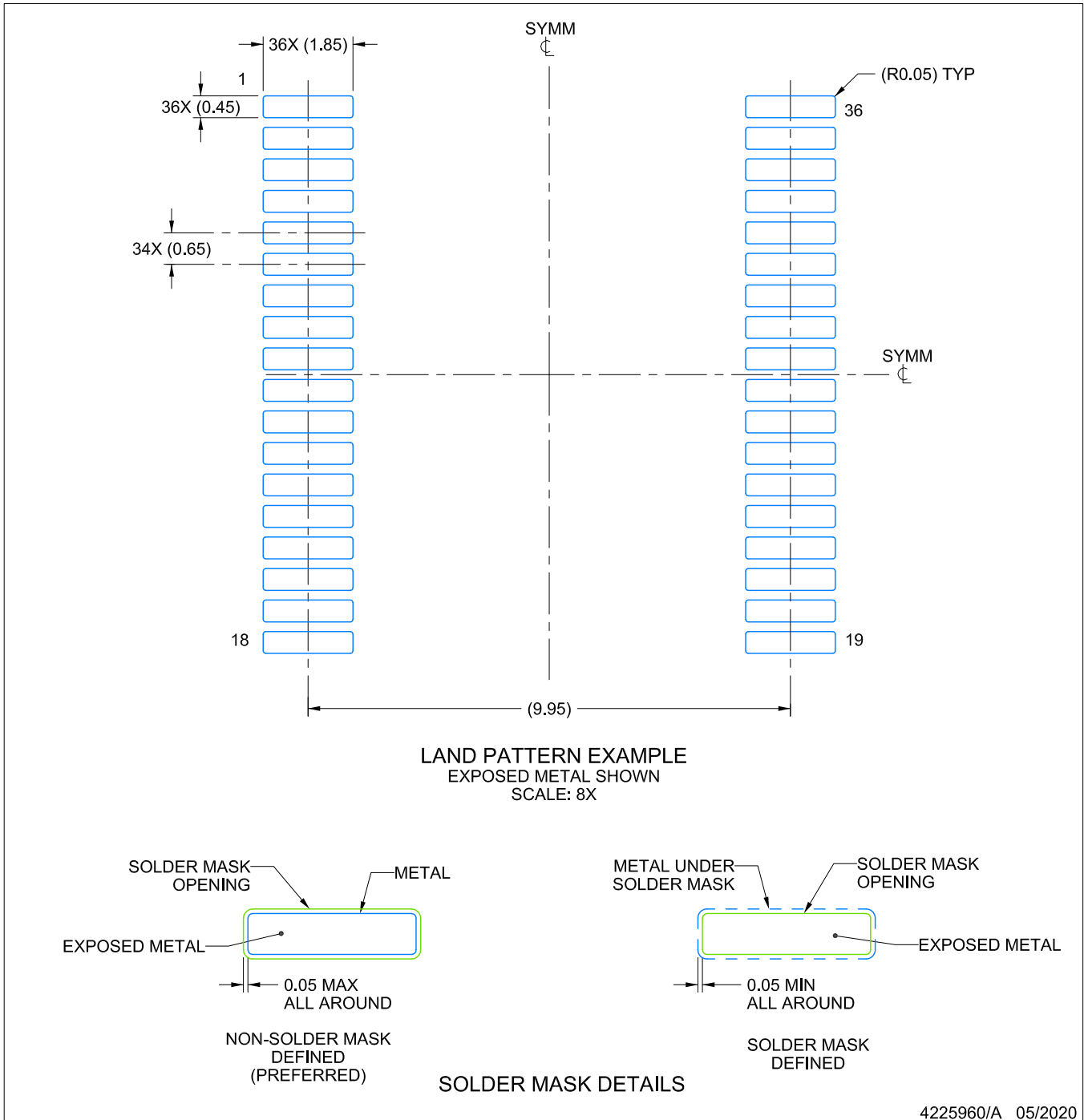
- All linear dimensions are in millimeters. Any dimensions in parenthesis are for reference only. Dimensioning and tolerancing per ASME Y14.5M.
- This drawing is subject to change without notice.
- This dimension does not include mold flash, protrusions, or gate burrs. Mold flash, protrusions, or gate burrs shall not exceed 0.15 mm per side.
- This dimension does not include interlead flash. Interlead flash shall not exceed 0.25 mm per side.

# EXAMPLE BOARD LAYOUT

DWN0036A

SSOP - 3.55 mm max height

SMALL OUTLINE PACKAGE



4225960/A 05/2020

NOTES: (continued)

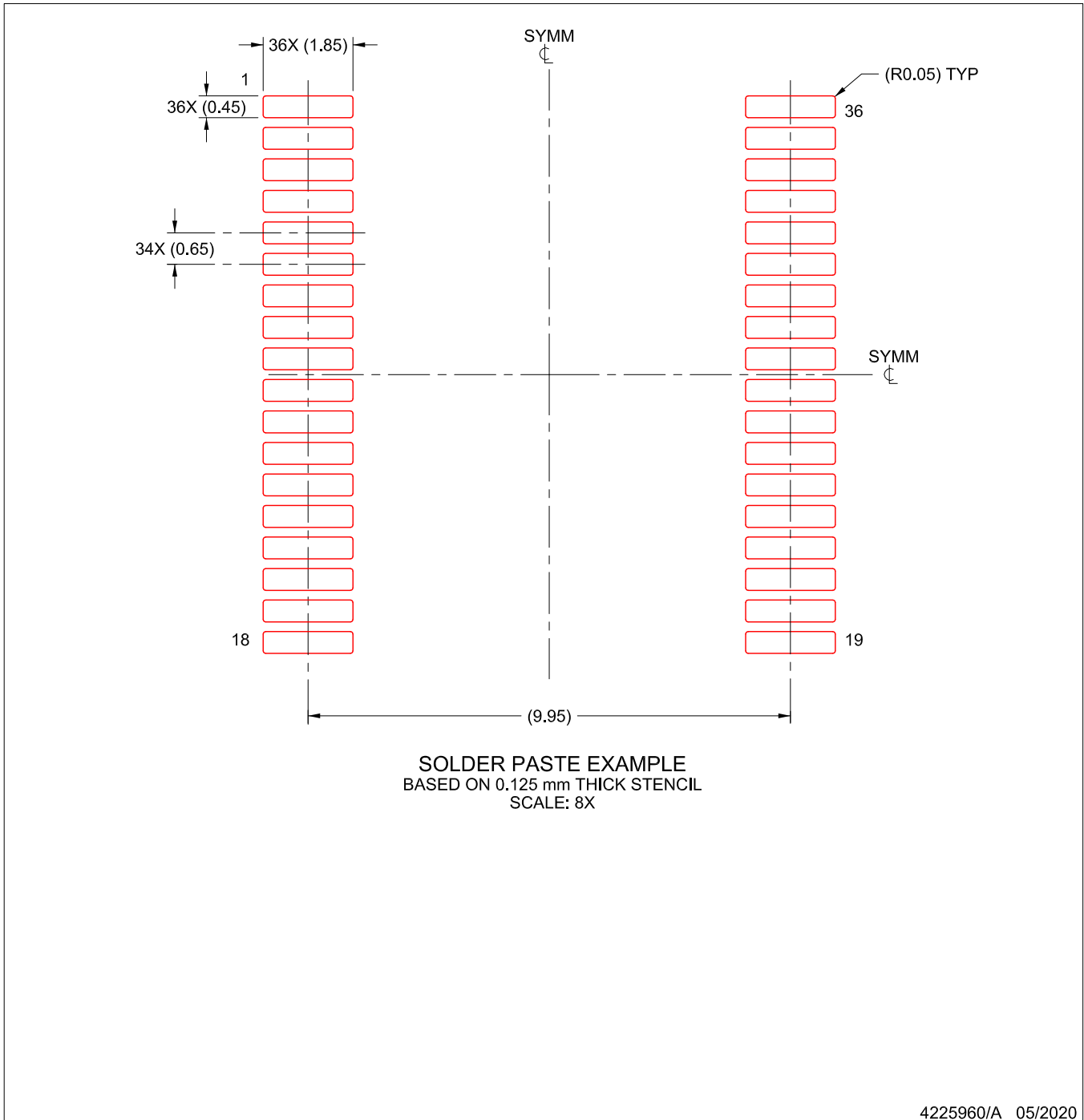
5. Publication IPC-7351 may have alternate designs.
6. Solder mask tolerances between and around signal pads can vary based on board fabrication site.

# EXAMPLE STENCIL DESIGN

DWN0036A

SSOP - 3.55 mm max height

SMALL OUTLINE PACKAGE



NOTES: (continued)

7. Laser cutting apertures with trapezoidal walls and rounded corners may offer better paste release. IPC-7525 may have alternate design recommendations.
8. Board assembly site may have different recommendations for stencil design.

## IMPORTANT NOTICE AND DISCLAIMER

TI PROVIDES TECHNICAL AND RELIABILITY DATA (INCLUDING DATASHEETS), DESIGN RESOURCES (INCLUDING REFERENCE DESIGNS), APPLICATION OR OTHER DESIGN ADVICE, WEB TOOLS, SAFETY INFORMATION, AND OTHER RESOURCES "AS IS" AND WITH ALL FAULTS, AND DISCLAIMS ALL WARRANTIES, EXPRESS AND IMPLIED, INCLUDING WITHOUT LIMITATION ANY IMPLIED WARRANTIES OF MERCHANTABILITY, FITNESS FOR A PARTICULAR PURPOSE OR NON-INFRINGEMENT OF THIRD PARTY INTELLECTUAL PROPERTY RIGHTS.

These resources are intended for skilled developers designing with TI products. You are solely responsible for (1) selecting the appropriate TI products for your application, (2) designing, validating and testing your application, and (3) ensuring your application meets applicable standards, and any other safety, security, regulatory or other requirements.

These resources are subject to change without notice. TI grants you permission to use these resources only for development of an application that uses the TI products described in the resource. Other reproduction and display of these resources is prohibited. No license is granted to any other TI intellectual property right or to any third party intellectual property right. TI disclaims responsibility for, and you fully indemnify TI and its representatives against any claims, damages, costs, losses, and liabilities arising out of your use of these resources.

TI's products are provided subject to [TI's Terms of Sale](#), [TI's General Quality Guidelines](#), or other applicable terms available either on [ti.com](#) or provided in conjunction with such TI products. TI's provision of these resources does not expand or otherwise alter TI's applicable warranties or warranty disclaimers for TI products. Unless TI explicitly designates a product as custom or customer-specified, TI products are standard, catalog, general purpose devices.

TI objects to and rejects any additional or different terms you may propose.

Copyright © 2026, Texas Instruments Incorporated

Last updated 10/2025