

MSP430 Optimizing C/C++ Compiler ***v20.12.0.STS***

User's Guide



Literature Number: SLAU132X
OCTOBER 2004 – REVISED DECEMBER 2020

Read This First	9
About This Manual.....	9
Notational Conventions.....	10
Related Documentation.....	11
Related Documentation From Texas Instruments.....	12
Trademarks.....	12
1 Introduction to the Software Development Tools	13
1.1 Software Development Tools Overview.....	14
1.2 Compiler Interface.....	15
1.3 ANSI/ISO Standard.....	15
1.4 Output Files.....	16
1.5 Utilities.....	16
2 Using the C/C++ Compiler	17
2.1 About the Compiler.....	18
2.2 Invoking the C/C++ Compiler.....	18
2.3 Changing the Compiler's Behavior with Options.....	19
2.3.1 Linker Options.....	24
2.3.2 Frequently Used Options.....	27
2.3.3 Miscellaneous Useful Options.....	28
2.3.4 Run-Time Model Options.....	29
2.3.5 Symbolic Debugging Options.....	30
2.3.6 Specifying Filenames.....	31
2.3.7 Changing How the Compiler Interprets Filenames.....	31
2.3.8 Changing How the Compiler Processes C Files.....	32
2.3.9 Changing How the Compiler Interprets and Names Extensions.....	32
2.3.10 Specifying Directories.....	32
2.3.11 Assembler Options.....	33
2.3.12 Deprecated Options.....	33
2.4 Controlling the Compiler Through Environment Variables.....	33
2.4.1 Setting Default Compiler Options (MSP430_C_OPTION).....	34
2.4.2 Naming One or More Alternate Directories (MSP430_C_DIR).....	35
2.5 Controlling the Preprocessor.....	35
2.5.1 Predefined Macro Names.....	36
2.5.2 The Search Path for #include Files.....	37
2.5.3 Support for the #warning and #warn Directives.....	38
2.5.4 Generating a Preprocessed Listing File (--preproc_only Option).....	38
2.5.5 Continuing Compilation After Preprocessing (--preproc_with_compile Option).....	38
2.5.6 Generating a Preprocessed Listing File with Comments (--preproc_with_comment Option).....	39
2.5.7 Generating Preprocessed Listing with Line-Control Details (--preproc_with_line Option).....	39
2.5.8 Generating Preprocessed Output for a Make Utility (--preproc_dependency Option).....	39
2.5.9 Generating a List of Files Included with #include (--preproc_includes Option).....	39
2.5.10 Generating a List of Macros in a File (--preproc_macros Option).....	39
2.6 Passing Arguments to main().....	39
2.7 Understanding Diagnostic Messages.....	40
2.7.1 Controlling Diagnostic Messages.....	41
2.7.2 How You Can Use Diagnostic Suppression Options.....	42
2.8 Other Messages.....	43
2.9 Generating Cross-Reference Listing Information (--gen_cross_reference Option).....	43
2.10 Generating a Raw Listing File (--gen_preprocessor_listing Option).....	44
2.11 Using Inline Function Expansion.....	45

2.11.1 Inlining Intrinsic Operators.....	46
2.11.2 Inlining Restrictions.....	46
2.12 Using Interlist.....	47
2.13 Controlling Application Binary Interface.....	48
2.14 Enabling Entry Hook and Exit Hook Functions.....	49
3 Optimizing Your Code.....	51
3.1 Invoking Optimization.....	52
3.2 Controlling Code Size Versus Speed.....	53
3.3 Performing File-Level Optimization (--opt_level=3 option).....	53
3.3.1 Creating an Optimization Information File (--gen_opt_info Option).....	53
3.4 Program-Level Optimization (--program_level_compile and --opt_level=3 options).....	53
3.4.1 Controlling Program-Level Optimization (--call_assumptions Option).....	54
3.4.2 Optimization Considerations When Mixing C/C++ and Assembly.....	55
3.5 Automatic Inline Expansion (--auto_inline Option).....	56
3.6 Link-Time Optimization (--opt_level=4 Option).....	56
3.6.1 Option Handling.....	57
3.6.2 Incompatible Types.....	57
3.7 Using Feedback Directed Optimization.....	57
3.7.1 Feedback Directed Optimization.....	57
3.7.2 Profile Data Decoder.....	59
3.7.3 Feedback Directed Optimization API.....	60
3.7.4 Feedback Directed Optimization Summary.....	60
3.8 Using Profile Information to Analyze Code Coverage.....	61
3.8.1 Code Coverage.....	61
3.8.2 Related Features and Capabilities.....	62
3.9 Accessing Aliased Variables in Optimized Code.....	62
3.10 Use Caution With asm Statements in Optimized Code.....	63
3.11 Using the Interlist Feature With Optimization.....	63
3.12 Debugging Optimized Code.....	64
3.13 What Kind of Optimization Is Being Performed?.....	64
3.13.1 Cost-Based Register Allocation.....	65
3.13.2 Alias Disambiguation.....	65
3.13.3 Branch Optimizations and Control-Flow Simplification.....	65
3.13.4 Data Flow Optimizations.....	65
3.13.5 Expression Simplification.....	65
3.13.6 Inline Expansion of Functions.....	65
3.13.7 Function Symbol Aliasing.....	66
3.13.8 Induction Variables and Strength Reduction.....	66
3.13.9 Loop-Invariant Code Motion.....	66
3.13.10 Loop Rotation.....	66
3.13.11 Instruction Scheduling.....	66
3.13.12 Tail Merging.....	66
3.13.13 Integer Division With Constant Divisor.....	66
4 Linking C/C++ Code.....	67
4.1 Invoking the Linker Through the Compiler (-z Option).....	68
4.1.1 Invoking the Linker Separately.....	68
4.1.2 Invoking the Linker as Part of the Compile Step.....	69
4.1.3 Disabling the Linker (--compile_only Compiler Option).....	69
4.2 Linker Code Optimizations.....	70
4.2.1 Conditional Linking.....	70
4.2.2 Generating Aggregate Data Subsections (--gen_data_subsections Compiler Option).....	70
4.3 Controlling the Linking Process.....	70
4.3.1 Including the Run-Time-Support Library.....	70
4.3.2 Run-Time Initialization.....	71
4.3.3 Initialization by the Interrupt Vector.....	71
4.3.4 Initialization of the FRAM Memory Protection Unit.....	72
4.3.5 Initialization of Cinit and Watchdog Timer Hold.....	72
4.3.6 Global Object Constructors.....	72
4.3.7 Specifying the Type of Global Variable Initialization.....	72
4.3.8 Specifying Where to Allocate Sections in Memory.....	73
4.3.9 A Sample Linker Command File.....	74

5 C/C++ Language Implementation	75
5.1 Characteristics of MSP430 C.....	76
5.1.1 Implementation-Defined Behavior.....	76
5.2 Characteristics of MSP430 C++.....	80
5.3 Using the ULP Advisor.....	81
5.4 Advice on Hardware Configuration.....	81
5.5 Data Types.....	82
5.5.1 Size of Enum Types.....	83
5.6 File Encodings and Character Sets.....	84
5.7 Keywords.....	85
5.7.1 The const Keyword.....	85
5.7.2 The __interrupt Keyword.....	85
5.7.3 The restrict Keyword.....	86
5.7.4 The volatile Keyword.....	87
5.8 C++ Exception Handling.....	88
5.9 Register Variables and Parameters.....	88
5.10 The __asm Statement.....	89
5.11 Pragma Directives.....	90
5.11.1 The BIS_IE1_INTERRUPT.....	91
5.11.2 The CALLS Pragma.....	91
5.11.3 The CHECK_ULP Pragma.....	91
5.11.4 The CODE_ALIGN Pragma.....	92
5.11.5 The CODE_SECTION Pragma.....	92
5.11.6 The DATA_ALIGN Pragma.....	94
5.11.7 The DATA_SECTION Pragma.....	94
5.11.8 The Diagnostic Message Pragmas.....	95
5.11.9 The FORCEINLINE Pragma.....	95
5.11.10 The FORCEINLINE_RECURSIVE Pragma.....	96
5.11.11 The FUNC_ALWAYS_INLINE Pragma.....	96
5.11.12 The FUNC_CANNOT_INLINE Pragma.....	97
5.11.13 The FUNC_EXT_CALLED Pragma.....	97
5.11.14 The FUNC_IS_PURE Pragma.....	98
5.11.15 The FUNC_NEVER_RETURNS Pragma.....	98
5.11.16 The FUNC_NO_GLOBAL_ASG Pragma.....	98
5.11.17 The FUNC_NO_IND_ASG Pragma.....	99
5.11.18 The FUNCTION_OPTIONS Pragma.....	99
5.11.19 The INTERRUPT Pragma.....	100
5.11.20 The LOCATION Pragma.....	101
5.11.21 The NOINIT and PERSISTENT Pragmas.....	101
5.11.22 The NOINLINE Pragma.....	102
5.11.23 The NO_HOOKS Pragma.....	103
5.11.24 The once Pragma.....	103
5.11.25 The pack Pragma.....	103
5.11.26 The RESET_ULP Pragma.....	104
5.11.27 The RETAIN Pragma.....	104
5.11.28 The SET_CODE_SECTION and SET_DATA_SECTION Pragmas.....	105
5.11.29 The vector Pragma.....	106
5.11.30 The WEAK Pragma.....	106
5.12 The _Pragma Operator.....	107
5.13 Application Binary Interface.....	108
5.14 Object File Symbol Naming Conventions (Linknames).....	108
5.15 Changing the ANSI/ISO C/C++ Language Mode.....	109
5.15.1 C99 Support (--c99).....	109
5.15.2 C11 Support (--c11).....	110
5.15.3 Strict ANSI Mode and Relaxed ANSI Mode (--strict_ansi and --relaxed_ansi).....	110
5.16 GNU and Clang Language Extensions.....	111
5.16.1 Extensions.....	111
5.16.2 Function Attributes.....	112
5.16.3 Variable Attributes.....	115
5.16.4 Type Attributes.....	116
5.16.5 Built-In Functions.....	117

5.17 Compiler Limits.....	117
6 Run-Time Environment.....	119
6.1 Memory Model.....	120
6.1.1 Code Memory Models.....	120
6.1.2 Data Memory Models.....	120
6.1.3 Support for Near Data.....	121
6.1.4 Sections.....	121
6.1.5 C/C++ Software Stack.....	122
6.1.6 Dynamic Memory Allocation.....	123
6.2 Object Representation.....	124
6.2.1 Data Type Storage.....	124
6.2.2 Character String Constants.....	125
6.3 Register Conventions.....	126
6.4 Function Structure and Calling Conventions.....	127
6.4.1 How a Function Makes a Call.....	128
6.4.2 How a Called Function Responds.....	129
6.4.3 Accessing Arguments and Local Variables.....	130
6.5 Accessing Linker Symbols in C and C++.....	130
6.6 Interfacing C and C++ With Assembly Language.....	130
6.6.1 Using Assembly Language Modules With C/C++ Code.....	130
6.6.2 Accessing Assembly Language Functions From C/C++.....	131
6.6.3 Accessing Assembly Language Variables From C/C++.....	132
6.6.4 Sharing C/C++ Header Files With Assembly Source.....	133
6.6.5 Using Inline Assembly Language.....	133
6.7 Interrupt Handling.....	133
6.7.1 Saving Registers During Interrupts.....	134
6.7.2 Using C/C++ Interrupt Routines.....	134
6.7.3 Using Assembly Language Interrupt Routines.....	134
6.7.4 Interrupt Vectors.....	134
6.7.5 Other Interrupt Information.....	134
6.8 Using Intrinsics to Access Assembly Language Statements.....	135
6.8.1 MSP430 Intrinsics.....	135
6.8.2 Deprecated Intrinsics.....	137
6.8.3 The <code>__delay_cycle</code> Intrinsic.....	137
6.8.4 The <code>__never_executed</code> Intrinsic.....	137
6.9 System Initialization.....	138
6.9.1 Boot Hook Functions for System Pre-Initialization.....	139
6.9.2 Run-Time Stack.....	139
6.9.3 Automatic Initialization of Variables.....	139
6.9.4 Initialization Tables.....	144
6.10 Compiling for 20-Bit MSP430X Devices.....	146
7 Using Run-Time-Support Functions and Building Libraries.....	147
7.1 C and C++ Run-Time Support Libraries.....	148
7.1.1 Linking Code With the Object Library.....	148
7.1.2 Header Files.....	148
7.1.3 Modifying a Library Function.....	148
7.1.4 Support for String Handling.....	149
7.1.5 Minimal Support for Internationalization.....	149
7.1.6 Allowable Number of Open Files.....	149
7.1.7 Nonstandard Header Files in the Source Tree.....	149
7.1.8 Library Naming Conventions.....	150
7.2 The C I/O Functions.....	150
7.2.1 High-Level I/O Functions.....	151
7.2.2 Overview of Low-Level I/O Implementation.....	152
7.2.3 Device-Driver Level I/O Functions.....	155
7.2.4 Adding a User-Defined Device Driver for C I/O.....	159
7.2.5 The device Prefix.....	160
7.3 Handling Reentrancy (<code>_register_lock()</code> and <code>_register_unlock()</code> Functions).....	162
7.4 Library-Build Process.....	163
7.4.1 Required Non-Texas Instruments Software.....	163
7.4.2 Using the Library-Build Process.....	163

7.4.3 Extending mklib.....	166
8 C++ Name Demangler.....	167
8.1 Invoking the C++ Name Demangler.....	168
8.2 Sample Usage of the C++ Name Demangler.....	168
A Glossary.....	171
A.1 Terminology.....	171
Revision History.....	177

List of Figures

Figure 1-1. MSP430 Software Development Flow.....	14
Figure 6-1. Memory Layout of var.....	125
Figure 6-2. Use of the Stack During a Function Call.....	127
Figure 6-3. Autoinitialization at Run Time.....	140
Figure 6-4. Initialization at Load Time.....	143
Figure 6-5. Constructor Table.....	143
Figure 6-6. Format of Initialization Records in the .cinit Section.....	144
Figure 6-7. Format of Initialization Records in the .pinit Section.....	145

List of Tables

Table 2-1. Processor Options.....	19
Table 2-2. Optimization Options ⁽¹⁾	19
Table 2-3. Advanced Optimization Options ⁽¹⁾	19
Table 2-4. Debug Options.....	20
Table 2-5. Include Options.....	20
Table 2-6. ULP Advisor Options.....	20
Table 2-7. Hardware Configuration Advisor Options.....	20
Table 2-8. Control Options.....	21
Table 2-9. Language Options.....	21
Table 2-10. Parser Preprocessing Options.....	21
Table 2-11. Predefined Macro Options.....	22
Table 2-12. Diagnostic Message Options.....	22
Table 2-13. Supplemental Information Options.....	22
Table 2-14. Run-Time Model Options.....	22
Table 2-15. Entry/Exit Hook Options.....	23
Table 2-16. Feedback Options.....	23
Table 2-17. Assembler Options.....	23
Table 2-18. File Type Specifier Options.....	24
Table 2-19. Directory Specifier Options.....	24
Table 2-20. Default File Extensions Options.....	24
Table 2-21. Command Files Options.....	24
Table 2-22. Linker Basic Options.....	24
Table 2-23. File Search Path Options.....	25
Table 2-24. Command File Preprocessing Options.....	25
Table 2-25. Diagnostic Message Options.....	25
Table 2-26. Linker Output Options.....	25
Table 2-27. Symbol Management Options.....	26
Table 2-28. Run-Time Environment Options.....	26
Table 2-29. Miscellaneous Options.....	26
Table 2-30. Predefined MSP430 Macro Names.....	36
Table 2-31. Raw Listing File Identifiers.....	44
Table 2-32. Raw Listing File Diagnostic Identifiers.....	44
Table 3-1. Options That You Can Use With --opt_level=3.....	53
Table 3-2. Selecting a Level for the --gen_opt_info Option.....	53
Table 3-3. Selecting a Level for the --call_assumptions Option.....	54
Table 3-4. Special Considerations When Using the --call_assumptions Option.....	54
Table 4-1. Initialized Sections Created by the Compiler.....	73
Table 4-2. Uninitialized Sections Created by the Compiler.....	73
Table 5-1. MSP430 C/C++ Data Types.....	82
Table 5-2. Data Sizes for MSP430 Pointers.....	83
Table 5-3. GCC Language Extensions.....	111

Table 6-1. Summary of Sections and Memory Placement.....	122
Table 6-2. Data Representation in Registers and Memory.....	124
Table 6-3. How Register Types Are Affected by the Conventions.....	126
Table 6-4. Register Usage and Preservation Conventions.....	126
Table 6-5. MSP430 Intrinsic.....	135
Table 6-6. Deprecated Intrinsic.....	137
Table 7-1. The mklb Program Options.....	165

About This Manual

The *MSP430 Optimizing C/C++ Compiler User's Guide* explains how to use the following Texas Instruments Code Generation compiler tools:

- Compiler
- Library build utility
- C++ name demangler

The TI compiler accepts C and C++ code conforming to the International Organization for Standardization (ISO) standards for these languages. The compiler supports the 1989, 1999, and 2011 versions of the C language and the 2014 version of the C++ language.

This user's guide discusses the characteristics of the TI C/C++ compiler. It assumes that you already know how to write C/C++ programs. *The C Programming Language* (second edition), by Brian W. Kernighan and Dennis M. Ritchie, describes C based on the ISO C standard. You can use the Kernighan and Ritchie (hereafter referred to as K&R) book as a supplement to this manual. References to K&R C (as opposed to ISO C) in this manual refer to the C language as defined in the first edition of Kernighan and Ritchie's *The C Programming Language*.

Notational Conventions

This document uses the following conventions:

- Program listings, program examples, and interactive displays are shown in a *special typeface* . Interactive displays use a bold version of the special typeface to distinguish commands that you enter from items that the system displays (such as prompts, command output, error messages, etc.). Here is a sample of C code:

```
#include <stdio.h>
main()
{
    printf("Hello World\n");
}
```

- In syntax descriptions, instructions, commands, and directives are in a **bold typeface** and parameters are in an *italic typeface*. Portions of a syntax that are in bold should be entered as shown; portions of a syntax that are in italics describe the type of information that should be entered.
- Square brackets ([and]) identify an optional parameter. If you use an optional parameter, you specify the information within the brackets. Unless the square brackets are in the **bold typeface**, do not enter the brackets themselves. The following is an example of a command that has an optional parameter:

```
cl430 [options] [filenames] [--run_linker [link_options] [object files]]
```

- Braces ({ and }) indicate that you must choose one of the parameters within the braces; you do not enter the braces themselves. This is an example of a command with braces that are not included in the actual syntax but indicate that you must specify either the --rom_model or --ram_model option:

```
cl430 --run_linker {--rom_model | --ram_model} filenames [--output_file= name.out]
--library= libraryname
```

- In assembler syntax statements, the leftmost column is reserved for the first character of a label or symbol. If the label or symbol is optional, it is usually not shown. If a label or symbol is a required parameter, it is shown starting against the left margin of the box, as in the example below. No instruction, command, directive, or parameter, other than a symbol or label, can begin in the leftmost column.

```
symbol .usect "section name", size in bytes[, alignment]
```

- Some directives can have a varying number of parameters. For example, the .byte directive. This syntax is shown as [, ..., parameter].

Related Documentation

You can use the following books to supplement this user's guide:

ANSI X3.159-1989, Programming Language - C (Alternate version of the 1989 C Standard), American National Standards Institute

ISO/IEC 9899:1989, International Standard - Programming Languages - C (The 1989 C Standard), International Organization for Standardization

ISO/IEC 9899:1999, International Standard - Programming Languages - C (The 1999 C Standard), International Organization for Standardization

ISO/IEC 9899:2011, International Standard - Programming Languages - C (The 2011 C Standard), International Organization for Standardization

ISO/IEC 14882-2014, International Standard - Programming Languages - C++ (The 2014 C++ Standard), International Organization for Standardization

The C Programming Language (second edition), by Brian W. Kernighan and Dennis M. Ritchie, published by Prentice-Hall, Englewood Cliffs, New Jersey, 1988

The Annotated C++ Reference Manual, Margaret A. Ellis and Bjarne Stroustrup, published by Addison-Wesley Publishing Company, Reading, Massachusetts, 1990

C: A Reference Manual (fourth edition), by Samuel P. Harbison, and Guy L. Steele Jr., published by Prentice Hall, Englewood Cliffs, New Jersey

Programming Embedded Systems in C and C++, by Michael Barr, Andy Oram (Editor), published by O'Reilly & Associates; ISBN: 1565923545, February 1999

Programming in C, Steve G. Kochan, Hayden Book Company

The C++ Programming Language (second edition), Bjarne Stroustrup, published by Addison-Wesley Publishing Company, Reading, Massachusetts, 1990

Tool Interface Standards (TIS) DWARF Debugging Information Format Specification Version 2.0, TIS Committee, 1995

DWARF Debugging Information Format Version 3, DWARF Debugging Information Format Workgroup, Free Standards Group, 2005 (<http://dwarfstd.org>)

DWARF Debugging Information Format Version 4, DWARF Debugging Information Format Workgroup, Free Standards Group, 2010 (<http://dwarfstd.org>)

System V ABI specification (<http://www.sco.com/developers/gabi/>)

Related Documentation From Texas Instruments

See the following resources for further information about the TI Code Generation Tools:

- [Code Composer Studio Documentation Overview](#)
- [Texas Instruments E2E Software Tools Forum](#)

You can use the following documents to supplement this user's guide:

- SLAU131** *MSP430 Assembly Language Tools User's Guide*. Describes the assembly language tools (the assembler, linker, and other tools used to develop assembly language code), assembler directives, macros, object file format, and symbolic debugging directives for the MSP430 devices.
- SLAA534** *MSP430 Embedded Application Binary Interface Application Report*. Provides a specification for the ELF-based Embedded Application Binary Interface (EABI) for the MSP430 family of processors from Texas Instruments. The EABI defines the low-level interface between programs, program components, and the execution environment, including the operating system if one is present.
- SLAU049** *MSP430x1xx Family User's Guide*. Describes the MSP430x1xx™ CPU architecture, instruction set, pipeline, and interrupts for these ultra-low power microcontrollers.
- SLAU144** *MSP430x2xx Family User's Guide*. Describes the MSP430x2xx™ CPU architecture, instruction set, pipeline, and interrupts for these ultra-low power microcontrollers.
- SLAU012** *MSP430x3xx Family User's Guide*. Describes the MSP430x3xx™ CPU architecture, instruction set, pipeline, and interrupts for these ultra-low power microcontrollers.
- SLAU056** *MSP430x4xx Family User's Guide*. Describes the MSP430x4xx™ CPU architecture, instruction set, pipeline, and interrupts for these ultra-low power microcontrollers.
- SLAU208** *MSP430x5xx Family User's Guide*. Describes the MSP430x5xx™ CPU architecture, instruction set, pipeline, and interrupts for these ultra-low power microcontrollers.
- SLAU134** *MSP430FE42x ESP30CE1 Peripheral Module User's Guide*. Describes common peripherals available on the MSP430FE42x and ESP430CE1 ultra-low power microcontrollers. This book includes information on the setup, operation, and registers of the ESP430CE1.
- SPRAAB5** *The Impact of DWARF on TI Object Files*. Describes the Texas Instruments extensions to the DWARF specification.
- SPRUEX3** *TI SYS/BIOS Real-time Operating System User's Guide*. SYS/BIOS gives application developers the ability to develop embedded real-time software. SYS/BIOS is a scalable real-time kernel. It is designed to be used by applications that require real-time scheduling and synchronization or real-time instrumentation. SYS/BIOS provides preemptive multithreading, hardware abstraction, real-time analysis, and configuration tools.

Trademarks

MSP430x1xx™, MSP430x2xx™, MSP430x3xx™, MSP430x4xx™, MSP430x5xx™, MSP430™, and Code Composer Studio™ are trademarks of Texas Instruments.
All trademarks are the property of their respective owners.



Introduction to the Software Development Tools

The MSP430™ is supported by a set of software development tools, which includes an optimizing C/C++ compiler, an assembler, a linker, and assorted utilities.

This chapter provides an overview of these tools and introduces the features of the optimizing C/C++ compiler. The assembler and linker are discussed in detail in the *MSP430 Assembly Language Tools User's Guide*.

1.1 Software Development Tools Overview	14
1.2 Compiler Interface	15
1.3 ANSI/ISO Standard	15
1.4 Output Files	16
1.5 Utilities	16

1.1 Software Development Tools Overview

Figure 1-1 illustrates the software development flow. The shaded portion of the figure highlights the most common path of software development for C language programs. The other portions are peripheral functions that enhance the development process.

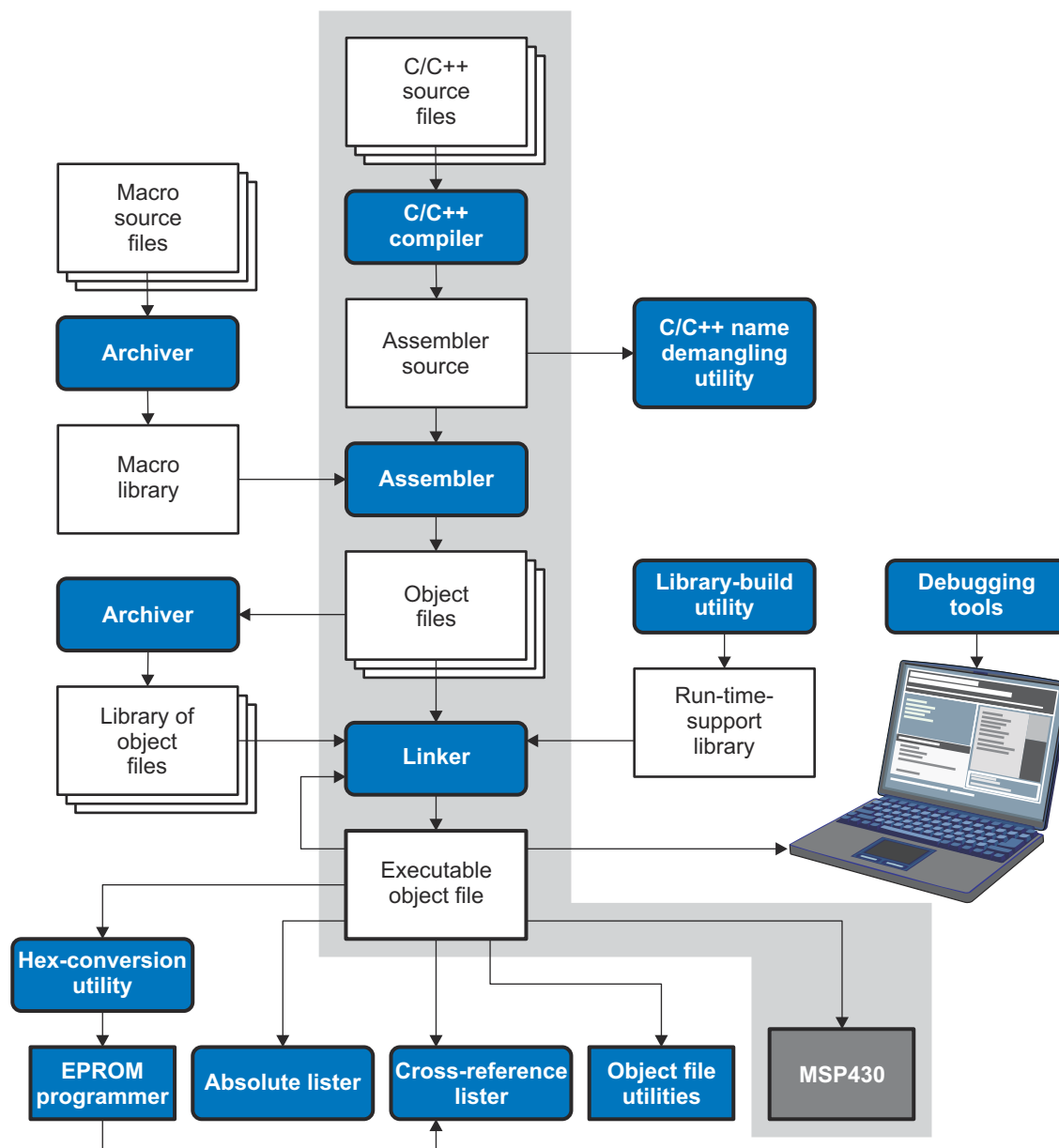


Figure 1-1. MSP430 Software Development Flow

The following list describes the tools that are shown in Figure 1-1:

- The **compiler** accepts C/C++ source code and produces MSP430 assembly language source code. See [Chapter 2](#).
- The **assembler** translates assembly language source files into machine language relocatable object files. See the *MSP430 Assembly Language Tools User's Guide*.
- The **linker** combines relocatable object files into a single absolute executable object file. As it creates the executable file, it performs relocation and resolves external references. The linker accepts relocatable object

files and object libraries as input. See [Chapter 4](#) for an overview of the linker. See the *MSP430 Assembly Language Tools User's Guide* for details.

- The **archiver** allows you to collect a group of files into a single archive file, called a *library*. The archiver allows you to modify such libraries by deleting, replacing, extracting, or adding members. One of the most useful applications of the archiver is building a library of object files. See the *MSP430 Assembly Language Tools User's Guide*.
- The **run-time-support libraries** contain the standard ISO C and C++ library functions, compiler-utility functions, floating-point arithmetic functions, and C I/O functions that are supported by the compiler. See [Chapter 7](#).

The **library-build utility** automatically builds the run-time-support library if compiler and linker options require a custom version of the library. See [Section 7.4](#). Source code for the standard run-time-support library functions for C and C++ is provided in the lib\src subdirectory of the directory where the compiler is installed.

- The **hex conversion utility** converts an object file into other object formats. You can download the converted file to an EPROM programmer. See the *MSP430 Assembly Language Tools User's Guide*.
- The **absolute lister** accepts linked object files as input and creates .abs files as output. You can assemble these .abs files to produce a listing that contains absolute, rather than relative, addresses. Without the absolute lister, producing such a listing would be tedious and would require many manual operations. See the *MSP430 Assembly Language Tools User's Guide*.
- The **cross-reference lister** uses object files to produce a cross-reference listing showing symbols, their definitions, and their references in the linked source files. See the *MSP430 Assembly Language Tools User's Guide*.
- The **C++ name demangler** is a debugging aid that converts names mangled by the compiler back to their original names as declared in the C++ source code. As shown in [Figure 1-1](#), you can use the C++ name demangler on the assembly file that is output by the compiler; you can also use this utility on the assembler listing file and the linker map file. See [Chapter 8](#).
- The **disassembler** decodes object files to show the assembly instructions that they represent. See the *MSP430 Assembly Language Tools User's Guide*.
- The main product of this development process is an executable object file that can be executed on a **MSP430** device.

1.2 Compiler Interface

The compiler is a command-line program named cl430 . This program can compile, optimize, assemble, and link programs in a single step. Within Code Composer Studio™, the compiler is run automatically to perform the steps needed to build a project.

For more information about compiling a program, see [Section 2.1](#)

The compiler has straightforward calling conventions, so you can write assembly and C functions that call each other. For more information about calling conventions, see [Chapter 6](#).

1.3 ANSI/ISO Standard

The compiler supports the 1989, 1999, and 2011 versions of the C language and the 2014 version of the C++ language. The C and C++ language features in the compiler are implemented in conformance with the following ISO standards:

- **ISO-standard C**

The C compiler supports the 1989, 1999, and 2011 versions of the C language.

- **C89**. Compiling with the --c89 option causes the compiler to conform to the ISO/IEC 9899:1990 C standard, which was previously ratified as ANSI X3.159-1989. The names "C89" and "C90" refer to the same programming language. "C89" is used in this document.
- **C99**. Compiling with the --c99 option causes the compiler to conform to the ISO/IEC 9899:1999 C standard.

- **C11.** Compiling with the `--c11` option causes the compiler to conform to the ISO/IEC 9899:2011 C standard.

The C language is also described in the second edition of Kernighan and Ritchie's *The C Programming Language* (K&R).

- **ISO-standard C++**

The compiler uses the C++14 version of the C++ standard. Previously, C++03 was used. See the C++ Standard ISO/IEC 14882:2014. For a description of *unsupported* C++ features, see [Section 5.2](#).

- **ISO-standard run-time support**

The compiler tools come with an extensive run-time library. Library functions conform to the ISO C/C++ library standard unless otherwise stated. The library includes functions for standard input and output, string manipulation, dynamic memory allocation, data conversion, timekeeping, trigonometry, and exponential and hyperbolic functions. Functions for signal handling are not included, because these are target-system specific. For more information, see [Chapter 7](#).

See [Section 5.15](#) for command line options to select the C or C++ standard your code uses.

1.4 Output Files

The following types of output files are created by the compiler:

- **ELF object files.** Executable and Linking Format (ELF) enables supporting modern language features like early template instantiation and exporting inline functions. ELF is part of the [System V Application Binary Interface \(ABI\)](#). The ELF format used for MSP430 is extended by the MSP430 Embedded Application Binary Interface (EABI), which is documented in [SLAA534](#).

COFF object files are not supported in v15.6.0.STS and later versions of the TI Code Generation Tools. If you would like to produce COFF output files, please use v4.4 of the MSP430 Code Generation Tools and refer to [SLAU132J](#) for documentation.

1.5 Utilities

These features are compiler utilities:

- **Library-build utility**

The library-build utility lets you custom-build object libraries from source for any combination of run-time models. For more information, see [Section 7.4](#).

- **C++ name demangler**

The C++ name demangler (`dem430`) is a debugging aid that translates each mangled name it detects in compiler-generated assembly code, disassembly output, or compiler diagnostic messages to its original name found in the C++ source code. For more information, see [Chapter 8](#).

- **Hex conversion utility**

For stand-alone embedded applications, the compiler has the ability to place all code and initialization data into ROM, allowing C/C++ code to run from reset. The ELF files output by the compiler can be converted to EPROM programmer data files by using the hex conversion utility, as described in the *MSP430 Assembly Language Tools User's Guide*.

The compiler translates your source program into machine language object code that the MSP430 can execute. Source code must be compiled, assembled, and linked to create an executable file. All of these steps are executed at once by using the compiler.

2.1 About the Compiler	18
2.2 Invoking the C/C++ Compiler	18
2.3 Changing the Compiler's Behavior with Options	19
2.4 Controlling the Compiler Through Environment Variables	33
2.5 Controlling the Preprocessor	35
2.6 Passing Arguments to main()	39
2.7 Understanding Diagnostic Messages	40
2.8 Other Messages	43
2.9 Generating Cross-Reference Listing Information (--gen_cross_reference Option)	43
2.10 Generating a Raw Listing File (--gen_preprocessor_listing Option)	44
2.11 Using Inline Function Expansion	45
2.12 Using Interlist	47
2.13 Controlling Application Binary Interface	48
2.14 Enabling Entry Hook and Exit Hook Functions	49

2.1 About the Compiler

The compiler lets you compile, optimize, assemble, and optionally link in one step. The compiler performs the following steps on one or more source modules:

- The **compiler** accepts C/C++ source code and assembly code. It produces object code.

You can compile C, C++, and assembly files in a single command. The compiler uses the filename extensions to distinguish between different file types. See [Section 2.3.9](#) for more information.

- The **linker** combines object files to create an executable or relinkable an executable file. The link step is optional, so you can compile and assemble many modules independently and link them later. See [Chapter 4](#) for information about linking the files.

Note

Invoking the Linker

By default, the compiler does not invoke the linker. You can invoke the linker by using the `--run_linker (-z)` compiler option. See [Section 4.1.1](#) for details.

For a complete description of the assembler and the linker, see the *MSP430 Assembly Language Tools User's Guide*.

2.2 Invoking the C/C++ Compiler

To invoke the compiler, enter:

```
cl430 [options] [filenames] [--run_linker [link_options] object files]
```

cl430	Command that runs the compiler and the assembler.
<i>options</i>	Options that affect the way the compiler processes input files. The options are listed in Table 2-8 through Table 2-29 .
<i>filenames</i>	One or more C/C++ source files and assembly language source files.
--run_linker (-z)	Option that invokes the linker. The <code>--run_linker</code> option's short form is <code>-z</code> . See Chapter 4 for more information.
<i>link_options</i>	Options that control the linking process.
<i>object files</i>	Names of the object files for the linking process.

The arguments to the compiler are of three types:

- Compiler options
- Link options
- Filenames

The `--run_linker` option indicates linking is to be performed. If the `--run_linker` option is used, any compiler options must precede the `--run_linker` option, and all link options must follow the `--run_linker` option.

Source code filenames must be placed before the `--run_linker` option. Additional object file filenames can be placed after the `--run_linker` option.

For example, if you want to compile two files named `syntab.c` and `file.c`, assemble a third file named `seek.asm`, and link to create an executable program called `myprogram.out`, you will enter:

```
cl430 syntab.c file.c seek.asm --run_linker --library=lnk.cmd
--output_file=myprogram.out
```

2.3 Changing the Compiler's Behavior with Options

Options control the operation of the compiler. This section provides a description of option conventions and an option summary table. It also provides detailed descriptions of the most frequently used options, including options used for type-checking and assembling.

For a help screen summary of the options, enter **cl430** with no parameters on the command line.

The following apply to the compiler options:

- There are typically two ways of specifying a given option. The "long form" uses a two hyphen prefix and is usually a more descriptive name. The "short form" uses a single hyphen prefix and a combination of letters and numbers that are not always intuitive.
- Options are usually case sensitive.
- Individual options cannot be combined.
- An option with a parameter should be specified with an equal sign before the parameter to clearly associate the parameter with the option. For example, the option to undefine a constant can be expressed as `--undefine=name`. Likewise, the option to specify the maximum amount of optimization can be expressed as `-O=3`. You can also specify a parameter directly after certain options, for example `-O3` is the same as `-O=3`. No space is allowed between the option and the optional parameter, so `-O 3` is not accepted.
- Files and options except the `--run_linker` option can occur in any order. The `--run_linker` option must follow all compiler options and precede any linker options.

You can define default options for the compiler by using the `MSP430_C_OPTION` environment variable. For a detailed description of the environment variable, see [Section 2.4.1](#).

[Table 2-8](#) through [Table 2-29](#) summarize all options (including link options). Use the references in the tables for more complete descriptions of the options.

Table 2-1. Processor Options

Option	Alias	Effect	Section
<code>--silicon_version={msp mspx}</code>	-v	Selects the instruction set.	Section 2.3.4
<code>--code_model={small large}</code>		Specifies the code memory model.	Section 6.1.1
<code>--data_model={small large restricted}</code>		Specifies the data memory model.	Section 6.1.2
<code>--near_data={globals none}</code>		Specifies what data must be near. Default is globals.	Section 6.1.3

Table 2-2. Optimization Options ⁽¹⁾

Option	Alias	Effect	Section
<code>--opt_level=off</code>		Disables all optimization .	Section 3.1
<code>--opt_level=<i>n</i></code>	-On	Level 0 (-O0) optimizes register usage only (default if option not used) . Level 1 (-O1) uses Level 0 optimizations and optimizes locally. Level 2 (-O2) uses Level 1 optimizations and optimizes globally . Level 3 (-O3) uses Level 2 optimizations and optimizes the file . Level 4 (-O4) uses Level 3 optimizations and performs link-time optimization.	Section 3.1 , Section 3.3 , Section 3.6
<code>--opt_for_speed[=<i>n</i>]</code>	-mf	Controls the tradeoff between size and speed (0-5 range). If this option is specified without <i>n</i> , the default value is 4. If this option is not specified, the default setting is 1.	Section 3.2

(1) **Note:** Machine-specific options (see [Table 2-14](#)) can also affect optimization.

Table 2-3. Advanced Optimization Options ⁽¹⁾

Option	Alias	Effect	Section
<code>--align_for_power</code>		Aligns all functions and loops to 4-byte boundaries. Power savings -- can be achieved if a small function or loop aligns to the 32-bit buffer for fetching code from flash memory. Power savings is less significant for larger functions and loops.	

Table 2-3. Advanced Optimization Options (1) (continued)

Option	Alias	Effect	Section
--auto_inline= <i>size</i>	-oi	Sets automatic inlining size (--opt_level=3 only). If <i>size</i> is not specified, the default is 1.	Section 3.5
--call_assumptions= <i>n</i>	-opn	Level 0 (-op0) specifies that the module contains functions and variables that are called or modified from outside the source code provided to the compiler. Level 1 (-op1) specifies that the module contains variables modified from outside the source code provided to the compiler but does not use functions called from outside the source code. Level 2 (-op2) specifies that the module contains no functions or variables that are called or modified from outside the source code provided to the compiler (default). Level 3 (-op3) specifies that the module contains functions that are called from outside the source code provided to the compiler but does not use variables modified from outside the source code.	Section 3.4.1
--disable_inlining		Prevents any inlining from occurring.	Section 2.11
--fp_mode={relaxed strict}		Enables or disables relaxed floating-point mode.	Section 2.3.3
--fp_reassoc={on off}		Enables or disables the reassociation of floating-point arithmetic.	Section 2.3.3
--gen_opt_info= <i>n</i>	-onn	Level 0 (-on0) disables the optimization information file. Level 1 (-on2) produces an optimization information file. Level 2 (-on2) produces a verbose optimization information file.	Section 3.3.1
--optimizer_interlist	-os	Interlists optimizer comments with assembly statements.	Section 3.11
--program_level_compile	-pm	Combines source files to perform program-level optimization.	Section 3.4
--aliased_variables	-ma	Assumes variables are aliased	Section 3.9

(1) **Note:** Machine-specific options (see [Table 2-14](#)) can also affect optimization.

Table 2-4. Debug Options

Option	Alias	Effect	Section
--symdebug:dwarf	-g	Default behavior. Enables symbolic debugging. The generation of debug information does not impact optimization. Therefore, generating debug information is enabled by default.	Section 2.3.5 Section 3.12
--symdebug:dwarf_version=2 3 4		Specifies the DWARF format version.	Section 2.3.5
--symdebug:none		Disables all symbolic debugging.	Section 2.3.5 Section 3.12
--symdebug:skeletal		(Deprecated; has no effect.)	

Table 2-5. Include Options

Option	Alias	Effect	Section
--include_path= <i>directory</i>	-I	Adds the specified directory to the #include search path.	Section 2.5.2.1
--preinclude= <i>filename</i>		Includes <i>filename</i> at the beginning of compilation.	Section 2.3.3

Table 2-6. ULP Advisor Options

Option	Alias	Effect	Section
--advice:power[={all none rulespec}]		Enables checking the specified ULP Advisor rules. (Default is all.)	Section 2.3.3
--advice:power_severity={error warning remark suppress}		Sets the diagnostic severity for ULP Advisor rules.	Section 2.3.3

Table 2-7. Hardware Configuration Advisor Options

Option	Alias	Effect	Section
--advice:hw_config[={all none rulespec}]		Enables checking the device configuration settings. (Default is none if this option is not included on the command line. Default is all if this option is used, but with no value specified.)	Section 2.3.3

Table 2-8. Control Options

Option	Alias	Effect	Section
<code>--compile_only</code>	<code>-c</code>	Disables linking (negates <code>--run_linker</code>).	Section 4.1.3
<code>--help</code>	<code>-h</code>	Prints (on the standard output device) a description of the options understood by the compiler.	Section 2.3.2
<code>--run_linker</code>	<code>-z</code>	Causes the linker to be invoked from the compiler command line.	Section 2.3.2
<code>--skip_assembler</code>	<code>-n</code>	Compiles C/C++ source file, producing an assembly language output file. The assembler is not run and no object file is produced.	Section 2.3.2

Table 2-9. Language Options

Option	Alias	Effect	Section
<code>--c89</code>		Processes C files according to the ISO C89 standard.	Section 5.15
<code>--c99</code>		Processes C files according to the ISO C99 standard.	Section 5.15
<code>--c11</code>		Processes C files according to the ISO C11 standard.	Section 5.15
<code>--c++14</code>		Processes C++ files according to the ISO C++14 standard. The <code>--c++03</code> option has been deprecated.	Section 5.15
<code>--cpp_default</code>	<code>-fg</code>	Processes all source files with a C extension as C++ source files.	Section 2.3.7
<code>--enum_type={packed unpacked}</code>		Choose whether to use compact integer types to store small enumerated types.	Section 2.3.4
<code>--exceptions</code>		Enables C++ exception handling.	Section 5.8
<code>--extern_c_can_throw</code>		Allow extern C functions to propagate exceptions.	--
<code>--float_operations_allowed={none all 32 64}</code>		Restricts the types of floating point operations allowed.	Section 2.3.3
<code>--gen_cross_reference</code>	<code>-px</code>	Generates a cross-reference listing file (.crl).	Section 2.9
<code>--pending_instantiations=#</code>		Specify the number of template instantiations that may be in progress at any given time. Use 0 to specify an unlimited number.	Section 2.3.4
<code>--plain_char={signed unsigned}</code>	<code>-mc</code>	Changes variables of type char from unsigned to signed. Default is unsigned.	Section 2.3.4
<code>--printf_support={nofloat full minimal}</code>		Enables support for smaller, limited versions of the printf function family (sprintf, fprintf, etc.) and the scanf function family (sscanf, fscanf, etc.) run-time-support functions.	Section 2.3.3
<code>--relaxed_ansi</code>	<code>-pr</code>	Enables relaxed mode; ignores strict ISO violations. This is on by default. To disable this mode, use the <code>--strict_ansi</code> option.	Section 5.15.3
<code>--rtti</code>	<code>-rtti</code>	Enables C++ run-time type information (RTTI).	--
<code>--strict_ansi</code>	<code>-ps</code>	Enables strict ANSI/ISO mode (for C/C++, not for K&R C). In this mode, language extensions that conflict with ANSI/ISO C/C++ are disabled. In strict ANSI/ISO mode, most ANSI/ISO violations are reported as errors. Violations that are considered discretionary may be reported as warnings instead.	Section 5.15.3

Table 2-10. Parser Preprocessing Options

Option	Alias	Effect	Section
<code>--preproc_dependency[=filename]</code>	<code>-ppd</code>	Performs preprocessing only, but instead of writing preprocessed output, writes a list of dependency lines suitable for input to a standard make utility.	Section 2.5.8
<code>--preproc_includes[=filename]</code>	<code>-ppi</code>	Performs preprocessing only, but instead of writing preprocessed output, writes a list of files included with the <code>#include</code> directive.	Section 2.5.9
<code>--preproc_macros[=filename]</code>	<code>-ppm</code>	Performs preprocessing only. Writes list of predefined and user-defined macros to a file with the same name as the input but with a .pp extension.	Section 2.5.10
<code>--preproc_only</code>	<code>-ppo</code>	Performs preprocessing only. Writes preprocessed output to a file with the same name as the input but with a .pp extension.	Section 2.5.4
<code>--preproc_with_comment</code>	<code>-ppc</code>	Performs preprocessing only. Writes preprocessed output, keeping the comments, to a file with the same name as the input but with a .pp extension.	Section 2.5.6

Table 2-10. Parser Preprocessing Options (continued)

Option	Alias	Effect	Section
--preproc_with_compile	-ppa	Continues compilation after preprocessing with any of the -pp<x> options that normally disable compilation.	Section 2.5.5
--preproc_with_line	-ppl	Performs preprocessing only. Writes preprocessed output with line-control information (#line directives) to a file with the same name as the input but with a .pp extension.	Section 2.5.7

Table 2-11. Predefined Macro Options

Option	Alias	Effect	Section
--define= <i>name</i> [= <i>def</i>]	-D	Predefines <i>name</i> .	Section 2.3.2
--undefine= <i>name</i>	-U	Undefines <i>name</i> .	Section 2.3.2

Table 2-12. Diagnostic Message Options

Option	Alias	Effect	Section
--compiler_revision		Prints out the compiler release revision and exits.	--
--diag_error= <i>num</i>	-pdse	Categorizes the diagnostic identified by <i>num</i> as an error.	Section 2.7.1
--diag_remark= <i>num</i>	-pdsr	Categorizes the diagnostic identified by <i>num</i> as a remark.	Section 2.7.1
--diag_suppress= <i>num</i>	-pds	Suppresses the diagnostic identified by <i>num</i> .	Section 2.7.1
--diag_warning= <i>num</i>	-pdsd	Categorizes the diagnostic identified by <i>num</i> as a warning.	Section 2.7.1
--diag_wrap={on off}		Wrap diagnostic messages (default is on). Note that this command-line option cannot be used within the Code Composer Studio IDE.	
--display_error_number	-pden	Displays a diagnostic's identifiers along with its text. Note that this command-line option cannot be used within the Code Composer Studio IDE.	Section 2.7.1
--emit_warnings_as_errors	-pdew	Treat warnings as errors.	Section 2.7.1
--gen_func_info_listing		Generate user information file (.aux).	Section 2.3.2
--issue_remarks	-pdr	Issues remarks (non-serious warnings).	Section 2.7.1
--no_warnings	-pdw	Suppresses diagnostic warnings (errors are still issued).	Section 2.7.1
--quiet	-q	Suppresses progress messages (quiet).	--
--set_error_limit= <i>num</i>	-pdel	Sets the error limit to <i>num</i> . The compiler abandons compiling after this number of errors. (The default is 100.)	Section 2.7.1
--super_quiet	-qq	Super quiet mode.	--
--tool_version	-version	Displays version number for each tool.	--
--verbose		Display banner and function progress information.	--
--verbose_diagnostics	-pdv	Provides verbose diagnostic messages that display the original source with line-wrap. Note that this command-line option cannot be used within the Code Composer Studio IDE.	Section 2.7.1
--write_diagnostics_file	-pdf	Generates a diagnostic message information file. Compiler only option. Note that this command-line option cannot be used within the Code Composer Studio IDE.	Section 2.7.1

Table 2-13. Supplemental Information Options

Option	Alias	Effect	Section
--gen_preprocessor_listing	-pl	Generates a raw listing file (.rl).	Section 2.10
--section_sizes={on off}		Generates section size information, including sizes for sections containing executable code and constants, constant or initialized data (global and static variables), and uninitialized data. (Default is off if this option is not included on the command line. Default is on if this option is used with no value specified.)	Section 2.7.1

Table 2-14. Run-Time Model Options

Option	Alias	Effect	Section
--common={on off}		On by default. When on, uninitialized file scope variables are emitted as common symbols. When off, common symbols are not created.	Section 2.3.4

Table 2-14. Run-Time Model Options (continued)

Option	Alias	Effect	Section
--disable_interrupts_around_hw_mpy=off		Setting this option to off leaves interrupts enabled during inlined hardware multiply operations. This option can only be used if all ISRs do not use multiplication or call other functions.	Section 2.3.4
--gen_data_subsections={on off}		Place all aggregate data (arrays, structs, and unions) into subsections. This gives the linker more control over removing unused data during the final link step. See the link to the right for details about the default setting.	Section 4.2.2
--global_register={r4 r5}		Reserves register for use by user.	
--large_memory_model	-ml	Uses a large memory model when compiling for the MSP430X. (Deprecated)	Section 2.3.4
--ramfunc={on off}		If set to on, specifies that all functions should be placed in the .TI.ramfunc section, which is placed in RAM.	Section 2.3.4
--silicon_errata={errata}		Generates code to work around the specified silicon errata. The errata value may be CPU12, CPU13, CPU15, CPU18, CPU19, CPU21, CPU22, CPU23, or CPU40. See the corresponding device errata sheet for details.	
--use_hw_mpy[={16 32 F5 none}]		If --opt_for_speed is set to 1 or higher, replaces all references to the default integer/long multiply routine with the version of the multiply routine that uses the hardware multiplier support. Additionally, if --opt_for_speed is set to 4 or 5, hardware multiplication is inlined during code generation.	Section 2.3.4

Table 2-15. Entry/Exit Hook Options

Option	Alias	Effect	Section
--entry_hook[= <i>name</i>]		Enables entry hooks.	Section 2.14
--entry_parm={none <i>name</i> <i>address</i> }		Specifies the parameters to the function to the --entry_hook option.	Section 2.14
--exit_hook[= <i>name</i>]		Enables exit hooks.	Section 2.14
--exit_parm={none <i>name</i> <i>address</i> }		Specifies the parameters to the function to the --exit_hook option.	Section 2.14
--remove_hooks_when_inlining		Removes entry/exit hooks for auto-inlined functions.	Section 2.14

Table 2-16. Feedback Options

Option	Alias	Effect	Section
--analyze=codecov		Generate analysis info from profile data.	Section 3.8.2.2
--analyze_only		Only generate analysis.	Section 3.8.2.2
--gen_profile_info		Generates instrumentation code to collect profile information.	Section 3.7.1.3
--use_profile_info= <i>file1</i> [, <i>file2</i> ,...]		Specifies the profile information file(s).	Section 3.7.1.3

Table 2-17. Assembler Options

Option	Alias	Effect	Section
--keep_asm	-k	Keeps the assembly language (.asm) file.	Section 2.3.11
--asm_listing	-al	Generates an assembly listing file.	Section 2.3.11
--c_src_interlist	-ss	Interlists C source and assembly statements.	Section 2.12 Section 3.11
--src_interlist	-s	Interlists optimizer comments (if available) and assembly source statements; otherwise interlists C and assembly source statements.	Section 2.3.2
--absolute_listing	-aa	Enables absolute listing.	Section 2.3.11
--asm_define= <i>name</i> [= <i>def</i>]	-ad	Sets the <i>name</i> symbol.	Section 2.3.11
--asm_dependency	-apd	Performs preprocessing; lists only assembly dependencies.	Section 2.3.11
--asm_includes	-api	Performs preprocessing; lists only included #include files.	Section 2.3.11
--asm_undefine= <i>name</i>	-au	Undefines the predefined constant <i>name</i> .	Section 2.3.11
--asm_listing_cross_reference	-ax	Generates the cross-reference file.	Section 2.3.11

Table 2-17. Assembler Options (continued)

Option	Alias	Effect	Section
--include_file= <i>filename</i>	-ahi	Includes the specified file for the assembly module.	Section 2.3.11

Table 2-18. File Type Specifier Options

Option	Alias	Effect	Section
--asm_file= <i>filename</i>	-fa	Identifies <i>filename</i> as an assembly source file regardless of its extension. By default, the compiler and assembler treat .asm files as assembly source files.	Section 2.3.7
--c_file= <i>filename</i>	-fc	Identifies <i>filename</i> as a C source file regardless of its extension. By default, the compiler treats .c files as C source files.	Section 2.3.7
--cpp_file= <i>filename</i>	-fp	Identifies <i>filename</i> as a C++ file, regardless of its extension. By default, the compiler treats .C, .cpp, .cc and .cxx files as a C++ files.	Section 2.3.7
--obj_file= <i>filename</i>	-fo	Identifies <i>filename</i> as an object code file regardless of its extension. By default, the compiler and linker treat .obj files as object code files, including both *.c.obj and *.cpp.obj files.	Section 2.3.7

Table 2-19. Directory Specifier Options

Option	Alias	Effect	Section
--abs_directory= <i>directory</i>	-fb	Specifies an absolute listing file directory. By default, the compiler uses the object file directory.	Section 2.3.10
--asm_directory= <i>directory</i>	-fs	Specifies an assembly file directory. By default, the compiler uses the current directory.	Section 2.3.10
--list_directory= <i>directory</i>	-ff	Specifies an assembly listing file and cross-reference listing file directory. By default, the compiler uses the object file directory.	Section 2.3.10
--obj_directory= <i>directory</i>	-fr	Specifies an object file directory. By default, the compiler uses the current directory.	Section 2.3.10
--output_file= <i>filename</i>	-fe	Specifies a compilation output file name; can override --obj_directory.	Section 2.3.10
--pp_directory= <i>dir</i>		Specifies a preprocessor file directory. By default, the compiler uses the current directory.	Section 2.3.10
--temp_directory= <i>directory</i>	-ft	Specifies a temporary file directory. By default, the compiler uses the current directory.	Section 2.3.10

Table 2-20. Default File Extensions Options

Option	Alias	Effect	Section
--asm_extension=[.] <i>extension</i>	-ea	Sets a default extension for assembly source files.	Section 2.3.9
--c_extension=[.] <i>extension</i>	-ec	Sets a default extension for C source files.	Section 2.3.9
--cpp_extension=[.] <i>extension</i>	-ep	Sets a default extension for C++ source files.	Section 2.3.9
--listing_extension=[.] <i>extension</i>	-es	Sets a default extension for listing files.	Section 2.3.9
--obj_extension=[.] <i>extension</i>	-eo	Sets a default extension for object files.	Section 2.3.9

Table 2-21. Command Files Options

Option	Alias	Effect	Section
--cmd_file= <i>filename</i>	-@	Interprets contents of a file as an extension to the command line. Multiple -@ instances can be used.	Section 2.3.2

2.3.1 Linker Options

The following tables list the linker options. See [Chapter 4](#) of this document and the *MSP430 Assembly Language Tools User's Guide* for details on these options.

Table 2-22. Linker Basic Options

Option	Alias	Description
--run_linker	-z	Enables linking.
--output_file= <i>file</i>	-o	Names the executable output file. The default filename is a .out file.

Table 2-22. Linker Basic Options (continued)

Option	Alias	Description
--map_file= <i>file</i>	-m	Produces a map or listing of the input and output sections, including holes, and places the listing in <i>file</i> .
--stack_size= <i>size</i>	[-]-stack	Sets C system stack size to <i>size</i> bytes and defines a global symbol that specifies the stack size. Default = 128 bytes.
--heap_size= <i>size</i>	[-]-heap	Sets heap size (for the dynamic memory allocation in C) to <i>size</i> bytes and defines a global symbol that specifies the heap size. Default = 128 bytes.

Table 2-23. File Search Path Options

Option	Alias	Description
--library= <i>file</i>	-l	Names an archive library or link command <i>file</i> as linker input.
--disable_auto_rts		Disables the automatic selection of a run-time-support library. See Section 4.3.1.1 .
--priority	-priority	Satisfies unresolved references by the first library that contains a definition for that symbol.
--reread_libs	-x	Forces rereading of libraries, which resolves back references.
--search_path= <i>pathname</i>	-I	Alters library-search algorithms to look in a directory named with <i>pathname</i> before looking in the default location. This option must appear before the --library option.

Table 2-24. Command File Preprocessing Options

Option	Alias	Description
--define= <i>name=value</i>		Predefines <i>name</i> as a preprocessor macro.
--undefine= <i>name</i>		Removes the preprocessor macro <i>name</i> .
--disable_pp		Disables preprocessing for command files.

Table 2-25. Diagnostic Message Options

Option	Alias	Description
--diag_error= <i>num</i>		Categorizes the diagnostic identified by <i>num</i> as an error.
--diag_remark= <i>num</i>		Categorizes the diagnostic identified by <i>num</i> as a remark.
--diag_suppress= <i>num</i>		Suppresses the diagnostic identified by <i>num</i> .
--diag_warning= <i>num</i>		Categorizes the diagnostic identified by <i>num</i> as a warning.
--display_error_number		Displays a diagnostic's identifiers along with its text.
--emit_references:file[= <i>file</i>]		Emits a file containing section information. The information includes section size, symbols defined, and references to symbols.
--emit_warnings_as_errors	-pdew	Treat warnings as errors.
--issue_remarks		Issues remarks (non-serious warnings).
--no_demangle		Disables demangling of symbol names in diagnostic messages.
--no_warnings		Suppresses diagnostic warnings (errors are still issued).
--set_error_limit= <i>count</i>		Sets the error limit to <i>count</i> . The linker abandons linking after this number of errors. (The default is 100.)
--verbose_diagnostics		Provides verbose diagnostic messages that display the original source with line-wrap.
--warn_sections	-w	Displays a message when an undefined output section is created.

Table 2-26. Linker Output Options

Option	Alias	Description
--absolute_exe	-a	Produces an absolute, executable object file. This is the default; if neither --absolute_exe nor --relocatable is specified, the linker acts as if --absolute_exe were specified.
--ecc={ on off }		Enable linker-generated Error Correcting Codes (ECC). The default is off.
--ecc:data_error		Inject specified errors into the output file for testing.
--ecc:ecc_error		Inject specified errors into the Error Correcting Code (ECC) for testing.
--mapfile_contents= <i>attribute</i>		Controls the information that appears in the map file.
--relocatable	-r	Produces a nonexecutable, relocatable output object file.

Table 2-26. Linker Output Options (continued)

Option	Alias	Description
--run_abs	-abs	Produces an absolute listing file.
--xml_link_info= <i>file</i>		Generates a well-formed XML <i>file</i> containing detailed information about the result of a link.

Table 2-27. Symbol Management Options

Option	Alias	Description
--entry_point= <i>symbol</i>	-e	Defines a global symbol that specifies the primary entry point for the executable object file.
--globalize= <i>pattern</i>		Changes the symbol linkage to global for symbols that match <i>pattern</i> .
--hide= <i>pattern</i>		Hides symbols that match the specified <i>pattern</i> .
--localize= <i>pattern</i>		Make the symbols that match the specified <i>pattern</i> local.
--make_global= <i>symbol</i>	-g	Makes <i>symbol</i> global (overrides -h).
--make_static	-h	Makes all global symbols static.
--no_symtable	-s	Strips symbol table information and line number entries from the executable object file.
--retain		Retains a list of sections that otherwise would be discarded.
--scan_libraries	-scanlibs	Scans all libraries for duplicate symbol definitions.
--symbol_map= <i>refname=defname</i>		Specifies a symbol mapping; references to the <i>refname</i> symbol are replaced with references to the <i>defname</i> symbol. The --symbol_map option is supported when used with --opt_level=4.
--undef_sym= <i>symbol</i>	-u	Adds <i>symbol</i> to the symbol table as an unresolved symbol.
--unhide= <i>pattern</i>		Excludes symbols that match the specified <i>pattern</i> from being hidden.

Table 2-28. Run-Time Environment Options

Option	Alias	Description
--arg_size= <i>size</i>	--args	Reserve <i>size</i> bytes for the argc/argv memory area.
--cinit_hold_wdt={on off}		Link in an RTS auto-initialization routine that either holds (on) or does not hold (off) the watchdog timer during cinit auto-initialization. See Section 4.3.5 .
--cinit_compression[= <i>type</i>]		Specifies the type of compression to apply to the C auto initialization data. The default if this option is specified with no <i>type</i> is lzss for Lempel-Ziv-Storer-Szymanski compression.
--copy_compression[= <i>type</i>]		Compresses data copied by linker copy tables. The default if this option is specified with no <i>type</i> is lzss for Lempel-Ziv-Storer-Szymanski compression.
--fill_value= <i>value</i>	-f	Sets default fill value for holes within output sections
--ram_model	-cr	Initializes variables at load time. See Section 4.3.7 for details.
--rom_model	-c	Autoinitializes variables at run time. See Section 4.3.7 for details.
--use_hw_mpy		This option is a compiler option. It should be placed on the command line before the --run_linker or -z option. See Section 2.3.4 .

Table 2-29. Miscellaneous Options

Option	Alias	Description
--linker_help	[-]help	Displays information about syntax and available options.
--preferred_order= <i>function</i>		Prioritizes placement of functions.
--strict_compatibility[= <i>off on</i>]		Performs more conservative and rigorous compatibility checking of input object files. Default is on.
--unused_section_elimination[= <i>off on</i>]		Eliminates sections that are not needed in the executable module. Default is on.

2.3.2 Frequently Used Options

Following are detailed descriptions of options that you will probably use frequently:

--c_src_interlist	Invokes the interlist feature, which interweaves original C/C++ source with compiler-generated assembly language. The interlisted C statements may appear to be out of sequence. You can use the interlist feature with the optimizer by combining the <code>--optimizer_interlist</code> and <code>--c_src_interlist</code> options. See Section 3.11 . The <code>--c_src_interlist</code> option can have a negative performance and/or code size impact.
--cmd_file=filename	Appends the contents of a file to the option set. Use this option to avoid limitations on command line length or C style comments imposed by the operating system. Use a <code>#</code> or <code>;</code> at the beginning of a line in the command file to include comments. You can add comments by surrounded by <code>/*</code> and <code>*/</code> . To specify options, surround hyphens with quotation marks. For example, <code>--quiet</code> . You can use the <code>--cmd_file</code> option multiple times to specify multiple files. For example, the following indicates file3 should be compiled as source and file1 and file2 are <code>--cmd_file</code> files: <pre style="border: 1px solid black; padding: 5px; margin-top: 10px;">c1430 --cmd_file=file1 --cmd_file=file2 file3</pre>
--compile_only	Suppresses the linker and overrides the <code>--run_linker</code> option, which specifies linking. The <code>--compile_only</code> option's short form is <code>-c</code> . Use this option when you have <code>--run_linker</code> specified in the <code>MSP430_C_OPTION</code> environment variable and you do not want to link. See Section 4.1.3 .
--define=name[=def]	Predefines the constant <i>name</i> for the preprocessor. This is equivalent to inserting <code>#define name def</code> at the top of each C source file. If the optional <code>=def</code> is omitted, the <i>name</i> is set to 1. The <code>--define</code> option's short form is <code>-D</code> . If you want to define a quoted string and keep the quotation marks, do one of the following: <ul style="list-style-type: none"> • For Windows, use <code>--define=name=\"string def\"</code>. For example, <code>--define=car=\"sedan\"</code> • For UNIX, use <code>--define=name='string def'</code>. For example, <code>--define=car='sedan'</code> • For CCS, enter the definition in a file and include that file with the <code>--cmd_file</code> option.
--gen_func_info_listing	Generates a user information file with a <code>.aux</code> file extension. The file contains linker call graph information on a per-file level.
--help	Displays the syntax for invoking the compiler and lists available options. If the <code>--help</code> option is followed by another option or phrase, detailed information about the option or phrase is displayed. For example, to see information about debugging options use <code>--help debug</code> .
--include_path=directory	Adds <i>directory</i> to the list of directories that the compiler searches for <code>#include</code> files. The <code>--include_path</code> option's short form is <code>-I</code> . You can use this option several times to define several directories; be sure to separate the <code>--include_path</code> options with spaces. If you do not specify a directory name, the preprocessor ignores the <code>--include_path</code> option. See Section 2.5.2.1 .
--keep_asm	Retains the assembly language output from the compiler or assembly optimizer. Normally, the compiler deletes the output assembly language file after assembly is complete. The <code>--keep_asm</code> option's short form is <code>-k</code> .
--quiet	Suppresses banners and progress information from all the tools. Only source filenames and error messages are output. The <code>--quiet</code> option's short form is <code>-q</code> .
--run_linker	Runs the linker on the specified object files. The <code>--run_linker</code> option and its parameters follow all other options on the command line. All arguments that follow <code>--run_linker</code> are passed to the linker. The <code>--run_linker</code> option's short form is <code>-z</code> . See Section 4.1 .
--skip_assembler	Compiles only. The specified source files are compiled but not assembled or linked. The <code>--skip_assembler</code> option's short form is <code>-n</code> . This option overrides <code>--run_linker</code> . The output is assembly language output from the compiler.
--src_interlist	Invokes the interlist feature, which interweaves optimizer comments or C/C++ source with assembly source. If the optimizer is invoked (<code>--opt_level=n</code> option), optimizer comments are interlisted with the assembly language output of the compiler, which may rearrange code significantly. If the optimizer is not invoked, C/C++ source statements are interlisted with the assembly language output of the compiler, which allows you to inspect the code generated for each C/C++ statement. The <code>--src_interlist</code> option implies the <code>--keep_asm</code> option. The <code>--src_interlist</code> option's short form is <code>-s</code> .
--tool_version	Prints the version number for each tool in the compiler. No compiling occurs.
--undefine=name	Undefines the predefined constant <i>name</i> . This option overrides any <code>--define</code> options for the specified constant. The <code>--undefine</code> option's short form is <code>-U</code> .
--verbose	Displays progress information and toolset version while compiling. Resets the <code>--quiet</code> option.

2.3.3 Miscellaneous Useful Options

Following are detailed descriptions of miscellaneous options:

--advice:hw_config ={all none <i>rulespec</i> }	Enables checking the device configuration. For example, the FRAM waitstate configuration is checked. Information about resolving a device configuration issue can be found by clicking the link provided in Code Composer Studio when one of these checks produces a warning. See Section 5.4 for details.
--advice:power ={all none <i>rulespec</i> }	Enables checking code against ULP (ultra low power) Advisor rules for possible power inefficiencies. More detailed information can be found at www.ti.com/ulpadvisor . The <i>rulespec</i> parameter is a comma-separated list of specifiers. See Section 5.3 for details.
--advice:power_severity ={error warning remark suppress}	Sets the diagnostic severity for ULP Advisor rules.
--float_operations_allowed = {none all 32 64}	Restricts the type of floating point operations allowed in the application. The default is all. If set to none, 32, or 64, the application is checked for operations that will be performed at runtime. For example, if <code>--float_operations_allowed=32</code> is specified on the command line, the compiler issues an error if a double precision operation will be generated. This can be used to ensure that double precision operations are not accidentally introduced into an application. The checks are performed after relaxed mode optimizations have been performed, so illegal operations that are completely removed result in no diagnostic messages.
--fp_mode ={relaxed strict}	<p>The default floating-point mode is strict. To enable relaxed floating-point mode use the <code>--fp_mode=relaxed</code> option. Relaxed floating-point mode causes double-precision floating-point computations and storage to be converted to single-precision floating-point where possible. This behavior does not conform with ISO, but it results in faster code, with some loss in accuracy. The following specific changes occur in relaxed mode:</p> <ul style="list-style-type: none"> • If the result of a double-precision floating-point expression is assigned to a single-precision floating-point or an integer or immediately used in a single-precision context, the computations in the expression are converted to single-precision computations. Double-precision constants in the expression are also converted to single-precision if they can be correctly represented as single-precision constants. • Calls to double-precision functions in <code>math.h</code> are converted to their single-precision counterparts if all arguments are single-precision and the result is used in a single-precision context. The <code>math.h</code> header file must be included for this optimization to work. • Division by a constant is converted to inverse multiplication. <p>In the following examples, <code>iN</code>=integer variable, <code>fN</code>=float variable, and <code>dN</code>=double variable:</p> <div style="border: 1px solid black; padding: 5px; margin: 10px 0;"> <pre>i1 = f1 + f2 * 5.0 -> +, * are float, 5.0 is converted to 5.0f i1 = d1 + d2 * d3 -> +, * are float f1 = f2 + f3 * 1.1; -> +, * are float, 1.1 is converted to 1.1f</pre> </div> <p>To enable relaxed floating-point mode use the <code>--fp_mode=relaxed</code> option, which also sets <code>--fp_reassoc=on</code>. To disable relaxed floating-point mode use the <code>--fp_mode=strict</code> option, which also sets <code>--fp_reassoc=off</code>. If <code>--strict_ansi</code> is specified, <code>--fp_mode=strict</code> is set automatically. You can enable the relaxed floating-point mode with strict ANSI mode by specifying <code>--fp_mode=relaxed</code> after <code>--strict_ansi</code>.</p>
--fp_reassoc ={on off}	Enables or disables the reassociation of floating-point arithmetic. If <code>--strict_ansi</code> is set, <code>--fp_reassoc=off</code> is set since reassociation of floating-point arithmetic is an ANSI violation. Because floating-point values are of limited precision, and because floating-point operations round, floating-point arithmetic is neither associative nor distributive. For instance, $(1 + 3e100) - 3e100$ is not equal to $1 + (3e100 - 3e100)$. If strictly following IEEE 754, the compiler cannot, in general, reassociate floating-point operations. Using <code>--fp_reassoc=on</code> allows the compiler to perform the algebraic reassociation, at the cost of a small amount of precision for some operations.
--preinclude = <i>filename</i>	Includes the source code of <i>filename</i> at the beginning of the compilation. This can be used to establish standard macro definitions. The filename is searched for in the directories on the include search list. The files are processed in the order in which they were specified.

--printf_support={full|nofloat|minimal}

Enables support for smaller, limited versions of the printf function family (sprintf, fprintf, etc.) and the scanf function family (sscanf, fscanf, etc.) run-time-support functions. The valid values are:

- full: Supports all format specifiers. This is the default.
- nofloat: Excludes support for printing and scanning floating-point values. Supports all format specifiers except %a, %A, %f, %F, %g, %G, %e, and %E.
- minimal: Supports the printing and scanning of integer, char, or string values without width or precision flags. Specifically, only the %, %d, %o, %c, %s, and %x format specifiers are supported

There is no run-time error checking to detect if a format specifier is used for which support is not included. The --printf_support option precedes the --run_linker option, and must be used when performing the final link.

2.3.4 Run-Time Model Options

These options are specific to the MSP430 toolset. See the referenced sections for more information. MSP430-specific assembler options are listed in [Section 2.3.11](#).

The MSP430 compiler now supports only the Embedded Application Binary Interface (EABI) ABI, which uses the ELF object format and the DWARF debug format. If you want support for the legacy COFF ABI, please use the MSP430 v4.4 Code Generation Tools and refer to [SLAU132J](#) and [SLAU131J](#) for documentation.

--common={on|off}

When on (the default), uninitialized file scope variables are emitted as common symbols. When off, common symbols are not created. The benefit of allowing common symbols to be created is that generated code can remove unused variables that would otherwise increase the size of the .bss section. (Uninitialized variables of a size larger than 32 bytes are separately optimized through placement in separate subsections that can be omitted from a link.) Variables cannot be common symbols if they are assigned to a section other than .bss .

--code_model={large|small}

Specifies the code memory model: small (16-bit function pointers and low 64K memory) or large (20-bit function pointers and 1MB address space). See [Section 6.1.1](#) for details.

--data_model={restricted|large|small}

Specifies the data memory model: small (16-bit data pointers and low 64K memory), restricted (32-bit data pointers, objects restricted to 64K, and 1MB memory), and large (32-bit data pointers and 1MB memory). See [Section 6.1.2](#) for details.

--disable_interrupts_around_hw_mpy=off

Setting this option to off leaves interrupts enabled during inlined hardware multiplication. (Inlined hardware multiplication is controlled by the --use_hw_mpy and --opt_for_speed options.) This option should only be used if all ISRs in the application do not use multiplication and do not call other functions. By default, if hardware multiplication is inlined, interrupts are disabled during hardware multiplication, because such operations are not re-entrant. If this option is set to off and an ISR uses multiplication, the linker issues a warning that multiplication within the ISR will use the RTS software multiply routine instead of the RTS hardware multiply routine. If this option is set to off and an ISR calls other functions, the linker generates a non-fatal error diagnostic indicating that the option --disable_interrupts_around_hw_mpy=off cannot be used if the application includes ISRs with calls to other functions. The reason for this is that if an ISR calls a routine that does multiplication using the hardware multiplier, then the inlined hardware multipliers with interrupts left enabled are no longer safe.

--enum_type={packed|unpacked}

By default, the compiler uses --enum_type=unpacked, which means the compiler uses an integer type no smaller than 16 bits (int, long, or long long) to store enumerated type variables. The --enum_type=packed option causes the compiler to use an 8-bit integer type if the enumeration constant values can fit into that 8-bit type. For details about enumerated type sizes, see [Section 5.5.1](#). Do not link object files compiled with the --enum_type=packed option with object files that have been compiled without it. If you are using the --enum_type=packed option, you must use it consistently to compile all of your C/C++ files; otherwise, you will encounter errors that cannot be detected until run-time.

--large_memory_model

This option is deprecated. Use --data_model=large.

--near_data={globals|none}

Specifies that global read/write data must be located in the first 64K of memory. See [Section 6.1.3](#) for details.

--pending_instantiations=#	Specify the number of template instantiations that may be in progress at any given time. Use 0 to specify an unlimited number.
--plain_char={unsigned signed}	Specifies how to treat C/C++ plain char variables. Default is unsigned.
--ramfunc={on off}	<p>If set to on, specifies that all functions should be placed in the .TI.ramfunc section, which is placed in RAM. If set to off, only functions with the ramfunc function attribute are treated this way. See Section 5.16.2.</p> <p>Newer TI linker command files support the --ramfunc option automatically by placing functions in the .TI.ramfunc section. If you have a linker command file that does not include a section specification for the .TI.ramfunc section, you can modify the linker command file to place this section in RAM. See the <i>MSP430 Assembly Language Tools User's Guide</i> for details on section placement.</p>
--silicon_version	<p>Selects the instruction set version. Using --silicon_version=msp_x generates code for MSP430X devices (20-bit code addressing). Using --silicon_version=msp generates code for 16-bit MSP430 devices.</p> <p>Modules assembled/compiled for 16-bit MSP430 devices are not compatible with modules that are assembled/compiled for 20-bit MSP_x devices. The linker generates errors if an attempt is made to combine incompatible object files.</p>
--use_hw_mpy[= 16,32,F5,none]	<p>This option is a compiler option. It should be placed on the command line before the -z option.</p> <p>MSP430 devices do not have a multiply instruction, and some devices have no hardware multiply at all. Multiplication is performed by a library function that either uses the hardware multiply capability or simulates it in software. By default, the compiler generates references to the version that does not use the hardware multiplier peripheral that is available on some versions of the MSP430 device. If your MSP430 device has multiply hardware, you can choose to use the library routine matching your hardware for best performance. When compiling for a device where the hardware multiplier is available, use the --use_hw_mpy compiler option.</p> <p>At compile time, using this option causes hardware multiply calls to be inlined during code generation if --opt_for_speed is set to 4 or 5 and --opt_level is set to any value other than "off". See the --disable_interrupts_around_hw_mpy=off option if you want to control whether interrupts are enabled during inlined hardware multiplication.</p> <p>If inlining is not enabled but other optimization is enabled (--opt_for_speed is set to 1, 2, or 3), using this option causes the linker to replace all references to the default multiply routine with the version of the multiply routine that uses the hardware multiplier support.</p> <p>The optional argument indicates which version of the hardware multiply is being used and must be one of the following:</p> <ul style="list-style-type: none"> • 16 uses the F1xx/2xx/4xx family 16-bit hardware multiplier (default) • 32 uses the F4xx 32-bit hardware multiplier • F5 uses the F5xx/6xx family 32-bit hardware multiplier • none = does not use a hardware multiplier <p>For more information regarding the hardware multiplier, see the <i>Family User's Guide</i> for the MSP430x1xx, MSP430x3xx, MSP430x4xx, and MSP430x5xx.</p>

2.3.5 Symbolic Debugging Options

The following options are used to select symbolic debugging :

--symdebug:dwarf	(Default) Generates directives that are used by the C/C++ source-level debugger and enables assembly source debugging in the assembler. The --symdebug:dwarf option's short form is -g. See Section 3.12 . For details on the DWARF format, see <i>The DWARF Debugging Standard</i> .
--symdebug:dwarf_version={2 3 4}	Specifies the DWARF debugging format version (2, 3, or 4) to be generated when --symdebug:dwarf (the default) is specified. By default, the compiler generates DWARF version 3 debug information. DWARF versions 2, 3, and 4 may be intermixed safely. When DWARF 4 is used, type information is placed in the .debug_types section. At link time, duplicate type information is removed. This method of type merging is superior to DWARF 2 or 3 and results in a smaller executable. In addition, DWARF 4 reduces the size of intermediate object files in comparison to DWARF 3. For more about TI extensions to the DWARF language, see <i>The Impact of DWARF on TI Object Files</i> (SPRAAB5).
--symdebug:none	Disables all symbolic debugging output. This option is not recommended; it prevents debugging and most performance analysis capabilities.
--symdebug:skeletal	Deprecated. Has no effect.

2.3.6 Specifying Filenames

The input files that you specify on the command line can be C source files, C++ source files, assembly source files, or object files. The compiler uses filename extensions to determine the file type.

Extension	File Type
.asm, .abs, or .s* (extension begins with s)	Assembly source
.c	C source
.C	Depends on operating system
.cpp, .cxx, .cc	C++ source
.obj .c.obj .cpp.obj .o* .dll .so	Object

Note

Case Sensitivity in Filename Extensions: Case sensitivity in filename extensions is determined by your operating system. If your operating system is not case sensitive, a file with a .C extension is interpreted as a C file. If your operating system is case sensitive, a file with a .C extension is interpreted as a C++ file.

For information about how you can alter the way that the compiler interprets individual filenames, see [Section 2.3.7](#). For information about how you can alter the way that the compiler interprets and names the extensions of assembly source and object files, see [Section 2.3.10](#).

You can use wildcard characters to compile or assemble multiple files. Wildcard specifications vary by system; use the appropriate form listed in your operating system manual. For example, to compile all of the files in a directory with the extension .cpp, enter the following:

```
c1430 *.cpp
```

Note

No Default Extension for Source Files is Assumed: If you list a filename called example on the command line, the compiler assumes that the entire filename is example not example.c. No default extensions are added onto files that do not contain an extension.

2.3.7 Changing How the Compiler Interprets Filenames

You can use options to change how the compiler interprets your filenames. If the extensions that you use are different from those recognized by the compiler, you can use the filename options to specify the type of file. You can insert an optional space between the option and the filename. Select the appropriate option for the type of file you want to specify:

```
--asm_file=filename      for an assembly language source file
--c_file=filename         for a C source file
--cpp_file=filename       for a C++ source file
--obj_file=filename       for an object file
```

For example, if you have a C source file called file.s and an assembly language source file called assy, use the --asm_file and --c_file options to force the correct interpretation:

```
c1430 --c_file=file.s --asm_file=assy
```

You cannot use the filename options with wildcard specifications.

Note

The default file extensions for object files created by the compiler have been changed in order to prevent conflicts when C and C++ files have the same names. Object files generated from C source files have the .c.obj extension. Object files generated from C++ source files have the .cpp.obj extension.

2.3.8 Changing How the Compiler Processes C Files

The `--cpp_default` option causes the compiler to process C files as C++ files. By default, the compiler treats files with a .c extension as C files. See [Section 2.3.9](#) for more information about filename extension conventions.

2.3.9 Changing How the Compiler Interprets and Names Extensions

You can use options to change how the compiler program interprets filename extensions and names the extensions of the files that it creates. The filename extension options must precede the filenames they apply to on the command line. You can use wildcard specifications with these options. An extension can be up to nine characters in length. Select the appropriate option for the type of extension you want to specify:

<code>--asm_extension=new extension</code>	for an assembly language file
<code>--c_extension=new extension</code>	for a C source file
<code>--cpp_extension=new extension</code>	for a C++ source file
<code>--listing_extension=new extension</code>	sets default extension for listing files
<code>--obj_extension=new extension</code>	for an object file

The following example assembles the file `fit.rrr` and creates an object file named `fit.o`:

```
cl430 --asm_extension=.rrr --obj_extension=.o fit.rrr
```

The period (.) in the extension is optional. You can also write the example above as:

```
cl430 --asm_extension=rrr --obj_extension=o fit.rrr
```

2.3.10 Specifying Directories

By default, the compiler program places the object, assembly, and temporary files that it creates into the current directory. If you want the compiler program to place these files in different directories, use the following options:

`--abs_directory=directory` Specifies the destination directory for absolute listing files. The default is to use the same directory as the object file directory. For example:

```
cl430 --abs_directory=d:\abso_list
```

`--asm_directory=directory` Specifies a directory for assembly files. For example:

```
cl430 --asm_directory=d:\assembly
```

`--list_directory=directory` Specifies the destination directory for assembly listing files and cross-reference listing files. The default is to use the same directory as the object file directory. For example:

```
cl430 --list_directory=d:\listing
```

`--obj_directory=directory` Specifies a directory for object files. For example:

```
cl430 --obj_directory=d:\object
```


--output_file=filename

Specifies a compilation output file name; can override --obj_directory . For example:

```
cl430 --output_file=transfer
```

--pp_directory=directory

Specifies a preprocessor file directory for object files (default is .). For example:

```
cl430 --pp_directory=d:\preproc
```

--temp_directory=directory

Specifies a directory for temporary intermediate files. For example:

```
cl430 --temp_directory=d:\temp
```

2.3.11 Assembler Options

Following are assembler options that you can use with the compiler. For more information, see the *MSP430 Assembly Language Tools User's Guide*.

--absolute_listing

Generates a listing with absolute addresses rather than section-relative offsets.

--asm_define=name[=def]

Predefines the constant *name* for the assembler; produces a .set directive for a constant or an .arg directive for a string. If the optional [=def] is omitted, the *name* is set to 1. If you want to define a quoted string and keep the quotation marks, do one of the following:

- For Windows, use --asm_define=name="*string def*". For example: --asm_define=car="\sedan\""
- For UNIX, use --asm_define=name="*string def*". For example: --asm_define=car="'sedan'"
- For Code Composer Studio, enter the definition in a file and include that file with the --cmd_file option.

--asm_dependency

Performs preprocessing for assembly files, but instead of writing preprocessed output, writes a list of dependency lines suitable for input to a standard make utility. The list is written to a file with the same name as the source file but with a .ppa extension.

--asm_includes

Performs preprocessing for assembly files, but instead of writing preprocessed output, writes a list of files included with the #include directive. The list is written to a file with the same name as the source file but with a .ppa extension.

--asm_listing

Produces an assembly listing file.

--asm_undefine=name

Undefines the predefined constant *name*. This option overrides any --asm_define options for the specified name.

--asm_listing_cross_reference

Produces a symbolic cross-reference in the listing file.

--include_file=filename

Includes the specified file for the assembly module; acts like an .include directive. The file is included before source file statements. The included file does not appear in the assembly listing files.

2.3.12 Deprecated Options

Several compiler options have been deprecated, removed, or renamed. The compiler continues to accept some of the deprecated options, but they are not recommended for use.

2.4 Controlling the Compiler Through Environment Variables

An environment variable is a system symbol that you define and assign a string to. Setting environment variables is useful when you want to run the compiler repeatedly without re-entering options, input filenames, or pathnames.

Note

C_OPTION and C_DIR -- The C_OPTION and C_DIR environment variables are deprecated. Use device-specific environment variables instead.

2.4.1 Setting Default Compiler Options (MSP430_C_OPTION)

You might find it useful to set the compiler, assembler, and linker default options using the MSP430_C_OPTION environment variable. If you do this, the compiler uses the default options and/or input filenames that you name MSP430_C_OPTION every time you run the compiler.

Setting the default options with these environment variables is useful when you want to run the compiler repeatedly with the same set of options and/or input files. After the compiler reads the command line and the input filenames, it looks for the MSP430_C_OPTION environment variable and processes it.

The table below shows how to set the MSP430_C_OPTION environment variable. Select the command for your operating system:

Operating System	Enter
UNIX (Bourne shell)	MSP430_C_OPTION=" option₁ [option₂ . . .]"; export MSP430_C_OPTION
Windows	set MSP430_C_OPTION= option₁ [option₂ . . .]

Environment variable options are specified in the same way and have the same meaning as they do on the command line. For example, if you want to always run quietly (the --quiet option), enable C/C++ source interlisting (the --src_interlist option), and link (the --run_linker option) for Windows, set up the MSP430_C_OPTION environment variable as follows:

```
set MSP430_C_OPTION=--quiet --src_interlist --run_linker
```

Any options following --run_linker on the command line or in MSP430_C_OPTION are passed to the linker. Thus, you can use the MSP430_C_OPTION environment variable to specify default compiler and linker options and then specify additional compiler and linker options on the command line. If you have set --run_linker in the environment variable and want to compile only, use the compiler --compile_only option. These additional examples assume MSP430_C_OPTION is set as shown above:

```
cl430 *.c ; compiles and links
cl430 --compile_only *.c ; only compiles
cl430 *.c --run_linker lnk.cmd ; compiles and links using a command file
cl430 --compile_only *.c --run_linker lnk.cmd
; only compiles (--compile_only overrides --run_linker)
```

For details on compiler options, see [Section 2.3](#). For details on linker options, see the *Linker Description* chapter in the *MSP430 Assembly Language Tools User's Guide*.

2.4.2 Naming One or More Alternate Directories (MSP430_C_DIR)

The linker uses the MSP430_C_DIR environment variable to name alternate directories that contain object libraries. The command syntaxes for assigning the environment variable are:

Operating System	Enter
UNIX (Bourne shell)	<code>MSP430_C_DIR="pathname₁; pathname₂;..."; export MSP430_C_DIR</code>
Windows	<code>set MSP430_C_DIR= pathname₁; pathname₂;...</code>

The *pathnames* are directories that contain input files. The pathnames must follow these constraints:

- Pathnames must be separated with a semicolon.
- Spaces or tabs at the beginning or end of a path are ignored. For example, the space before and after the semicolon in the following is ignored:

```
set MSP430_C_DIR=c:\path\one\to\tools ; c:\path\two\to\tools
```

- Spaces and tabs are allowed within paths to accommodate Windows directories that contain spaces. For example, the pathnames in the following are valid:

```
set MSP430_C_DIR=c:\first path\to\tools;d:\second path\to\tools
```

The environment variable remains set until you reboot the system or reset the variable by entering:

Operating System	Enter
UNIX (Bourne shell)	<code>unset MSP430_C_DIR</code>
Windows	<code>set MSP430_C_DIR=</code>

2.5 Controlling the Preprocessor

This section describes features that control the preprocessor, which is part of the parser. A general description of C preprocessing is in section A12 of K&R. The C/C++ compiler includes standard C/C++ preprocessing functions, which are built into the first pass of the compiler. The preprocessor handles:

- Macro definitions and expansions
- #include files
- Conditional compilation
- Various preprocessor directives, specified in the source file as lines beginning with the # character

The preprocessor produces self-explanatory error messages. The line number and the filename where the error occurred are printed along with a diagnostic message.

2.5.1 Predefined Macro Names

The compiler maintains and recognizes the predefined macro names listed in [Table 2-30](#).

Table 2-30. Predefined MSP430 Macro Names

Macro Name	Description
<code>__DATE__</code> ⁽¹⁾	Expands to the compilation date in the form <i>mmm dd yyyy</i>
<code>__FILE__</code> ⁽¹⁾	Expands to the current source filename
<code>__LARGE_CODE_MODEL__</code>	Defined if <code>--code_model=large</code> is specified
<code>__LARGE_DATA_MODEL__</code>	Defined if <code>--data_model=large</code> or <code>--data_model=restricted</code> is specified
<code>__LINE__</code> ⁽¹⁾	Expands to the current line number
<code>__LONG_PTRDIFF_T__</code>	Defined when <code>--data_model=large</code> is specified. Indicates <code>ptrdiff_t</code> is a long.
<code>__MSP430__</code>	Always defined
<code>__MSP430X__</code>	Defined if <code>--silicon_version=mspx</code> is specified
<code>__MSP430X461X__</code>	Defined if <code>--silicon_version=mspx</code> is specified
<code>__PTRDIFF_T_TYPE__</code>	Set to the type of <code>ptrdiff_t</code> . Determined by the <code>--data_model</code> option.
<code>__signed_chars__</code>	Defined if char types are signed by default (<code>--plain_char=signed</code>)
<code>__SIZE_T_TYPE__</code>	Set to the type of <code>size_t</code> . Determined by the <code>--data_model</code> option.
<code>__STDC__</code> ⁽¹⁾	Defined to 1 to indicate that compiler conforms to ISO C Standard. See Section 5.1 for exceptions to ISO C conformance.
<code>__STDC_VERSION__</code>	C standard macro.
<code>__STDC_HOSTED__</code>	C standard macro. Always defined to 1.
<code>__STDC_NO_THREADS__</code>	C standard macro. Always defined to 1.
<code>__TI_COMPILER_VERSION__</code>	Defined to a 7-9 digit integer, depending on if X has 1, 2, or 3 digits. The number does not contain a decimal. For example, version 3.2.1 is represented as 3002001. The leading zeros are dropped to prevent the number being interpreted as an octal.
<code>__TI_EABI__</code>	Defined to 1 if the EABI is enabled (see Section 2.13); otherwise, it is undefined.
<code>__TI_GNU_ATTRIBUTE_SUPPORT__</code>	Defined to 1 if GCC extensions are enabled (which is the default)
<code>__TI_STRICT_ANSI_MODE__</code>	Defined to 1 if strict ANSI/ISO mode is enabled (the <code>--strict_ansi</code> option is used); otherwise, it is defined as 0.
<code>__TI_STRICT_FP_MODE__</code>	Defined to 1 if <code>--fp_mode=strict</code> is used (default); otherwise, it is defined as 0.
<code>__TIME__</code> ⁽¹⁾	Expands to the compilation time in the form " <i>hh:mm:ss</i> "
<code>__unsigned_chars__</code>	Defined if char types are unsigned by default (default or <code>-- plain_char=unsigned</code>)
<code>__UNSIGNED_LONG_SIZE_T__</code>	Defined when <code>--data_model=large</code> is specified. Indicates <code>size_t</code> is an unsigned long.
<code>__INLINE</code>	Expands to 1 if optimization is used (<code>--opt_level</code> or <code>-O</code> option); undefined otherwise.

(1) Specified by the ISO standard

You can use the names listed in [Table 2-30](#) in the same manner as any other defined name. For example,

```
printf ( "%s %s" , __TIME__ , __DATE__ );
```

translates to a line such as:

```
printf ("%s %s" , "13:58:17", "Jan 14 1997");
```

2.5.2 The Search Path for #include Files

The #include preprocessor directive tells the compiler to read source statements from another file. When specifying the file, you can enclose the filename in double quotes or in angle brackets. The filename can be a complete pathname, partial path information, or a filename with no path information.

- If you enclose the filename in double quotes (" "), the compiler searches for the file in this order:
 1. The directory of the file that contains the #include directive and in the directories of any files that contain that file.
 2. Directories named with the --include_path option.
 3. Directories set with the MSP430_C_DIR environment variable.
- If you enclose the filename in angle brackets (< >), the compiler searches for the file in the following directories in this order:
 1. Directories named with the --include_path option.
 2. Directories set with the MSP430_C_DIR environment variable.

See [Section 2.5.2.1](#) for information on using the --include_path option. See [Section 2.4.2](#) for more information on input file directories.

2.5.2.1 Adding a Directory to the #include File Search Path (--include_path Option)

The --include_path option names an alternate directory that contains #include files. The --include_path option's short form is -I . The format of the --include_path option is:

--include_path=directory1 [--include_path= directory2 ...]

There is no limit to the number of --include_path options per invocation of the compiler; each --include_path option names one *directory*. In C source, you can use the #include directive without specifying any directory information for the file; instead, you can specify the directory information with the --include_path option.

For example, assume that a file called source.c is in the current directory. The file source.c contains the following directive statement:

```
#include "alt.h"
```

Assume that the complete pathname for alt.h is:

UNIX	/tools/files/alt.h
Windows	c:\tools\files\alt.h

The table below shows how to invoke the compiler. Select the command for your operating system:

Operating System	Enter
UNIX	<pre>c1430 --include_path=/tools/files source.c</pre>
Windows	<pre>c1430 --include_path=c:\tools\files source.c</pre>

Note

Specifying Path Information in Angle Brackets: If you specify the path information in angle brackets, the compiler applies that information relative to the path information specified with `--include_path` options and the `MSP430_C_DIR` environment variable.

For example, if you set up `MSP430_C_DIR` with the following command:

```
MSP430_C_DIR "/usr/include;/usr/ucb"; export MSP430_C_DIR
```

or invoke the compiler with the following command:

```
cl430 --include_path=/usr/include file.c
```

and `file.c` contains this line:

```
#include <sys/proc.h>
```

the result is that the included file is in the following path:

```
/usr/include/sys/proc.h
```

2.5.3 Support for the `#warning` and `#warn` Directives

In strict ANSI mode, the TI preprocessor allows you to use the `#warn` directive to cause the preprocessor to issue a warning and continue preprocessing. The `#warn` directive is equivalent to the `#warning` directive supported by GCC, IAR, and other compilers.

If you use the `--relaxed_ansi` option (on by default), both the `#warn` and `#warning` preprocessor directives are supported.

2.5.4 Generating a Preprocessed Listing File (`--preproc_only` Option)

The `--preproc_only` option allows you to generate a preprocessed version of your source file with an extension of `.pp`. The compiler's preprocessing functions perform the following operations on the source file:

- Each source line ending in a backslash (`\`) is joined with the following line.
- Trigraph sequences are expanded.
- Comments are removed.
- `#include` files are copied into the file.
- Macro definitions are processed.
- All macros are expanded.
- All other preprocessing directives, including `#line` directives and conditional compilation, are expanded.

The `--preproc_only` option is useful when creating a source file for a technical support case or to ask a question about your code. It allows you to reduce the test case to a single source file, because `#include` files are incorporated when the preprocessor runs.

2.5.5 Continuing Compilation After Preprocessing (`--preproc_with_compile` Option)

If you are preprocessing, the preprocessor performs preprocessing only; it does not compile your source code. To override this feature and continue to compile after your source code is preprocessed, use the `--preproc_with_compile` option along with the other preprocessing options. For example, use `--preproc_with_compile` with `--preproc_only` to perform preprocessing, write preprocessed output to a file with a `.pp` extension, and compile your source code.

2.5.6 Generating a Preprocessed Listing File with Comments (--preproc_with_comment Option)

The `--preproc_with_comment` option performs all of the preprocessing functions except removing comments and generates a preprocessed version of your source file with a `.pp` extension. Use the `--preproc_with_comment` option instead of the `--preproc_only` option if you want to keep the comments.

2.5.7 Generating Preprocessed Listing with Line-Control Details (--preproc_with_line Option)

By default, the preprocessed output file contains no preprocessor directives. To include the `#line` directives, use the `--preproc_with_line` option. The `--preproc_with_line` option performs preprocessing only and writes preprocessed output with line-control information (`#line` directives) to a file named as the source file but with a `.pp` extension.

2.5.8 Generating Preprocessed Output for a Make Utility (--preproc_dependency Option)

The `--preproc_dependency` option performs preprocessing only. Instead of writing preprocessed output, it writes a list of dependency lines suitable for input to a standard make utility. If you do not supply an optional filename, the list is written to a file with the same name as the source file but a `.pp` extension.

2.5.9 Generating a List of Files Included with #include (--preproc_includes Option)

The `--preproc_includes` option performs preprocessing only, but instead of writing preprocessed output, writes a list of files included with the `#include` directive. If you do not supply an optional filename, the list is written to a file with the same name as the source file but with a `.pp` extension.

2.5.10 Generating a List of Macros in a File (--preproc_macros Option)

The `--preproc_macros` option generates a list of all predefined and user-defined macros. If you do not supply an optional filename, the list is written to a file with the same name as the source file but with a `.pp` extension.

The output includes only those files directly included by the source file. Predefined macros are listed first and indicated by the comment `/* Predefined */`. User-defined macros are listed next and indicated by the source filename.

2.6 Passing Arguments to main()

Some programs pass arguments to `main()` via `argc` and `argv`. This presents special challenges in an embedded program that is not run from the command line. In general, `argc` and `argv` are made available to your program through the `.args` section. There are various ways to populate the contents of this section for use by your program.

To cause the linker to allocate an `.args` section of the appropriate size, use the `--arg_size=size` linker option. This option tells the linker to allocate an uninitialized section named `.args`, which can be used by the loader to pass arguments from the command line of the loader to the program. The `size` is the number of bytes to be allocated. When you use the `--arg_size` option, the linker defines the `__c_args__` symbol to contain the address of the `.args` section.

It is the responsibility of the loader to populate the `.args` section. The loader and the target boot code can use the `.args` section and the `__c_args__` symbol to determine whether and how to pass arguments from the host to the target program. The format of the arguments is an array of pointers to `char` on the target. Due to variations in loaders, it is not specified how the loader determines which arguments to pass to the target.

If you are using Code Composer Studio to run your application, you can use the Scripting Console tool to populate the `.args` section. To open this tool, choose **View > Scripting Console** from the CCS menus. You can use the `loadProg` command to load an object file and its associated symbol table into memory and pass an array of arguments to `main()`. These arguments are automatically written to the allocated `.args` section.

The `loadProg` syntax is as follows, where `file` is an executable file and `args` is an object array of arguments. Use JavaScript to declare the array of arguments before using this command.

```
loadProg(file, args)
```

The `.args` section is loaded with the following data for non-SYS/BIOS-based executables, where each element in the `argv[]` array contains a string corresponding to that argument:

```
Int argc;
Char * argv[0];
Char * argv[1];
...
Char * argv[n];
```

For SYS/BIOS-based executables, the elements in the `.args` section are as follows:

```
Int argc;
Char ** argv; /* points to argv[0] */
Char * envp; /* ignored by loadProg command */
Char * argv[0];
Char * argv[1];
...
Char * argv[n];
```

For more details, see the "[Scripting Console](#)" page.

2.7 Understanding Diagnostic Messages

One of the primary functions of the compiler and linker is to report diagnostic messages for the source program. A diagnostic message indicates that something may be wrong with the program. When the compiler or linker detects a suspect condition, it displays a message in the following format:

" file.c ", line n : diagnostic severity : diagnostic message

" file.c "	The name of the file involved
line n :	The line number where the diagnostic applies
diagnostic severity	The diagnostic message severity (severity category descriptions follow)
diagnostic message	The text that describes the problem

Diagnostic messages have a severity, as follows:

- A **fatal error** indicates a problem so severe that the compilation cannot continue. Examples of such problems include command-line errors, internal errors, and missing include files. If multiple source files are being compiled, any source files after the current one will not be compiled.
- An **error** indicates a violation of the syntax or semantic rules of the C/C++ language. Compilation may continue, but object code is not generated.
- A **warning** indicates something that is likely to be a problem, but cannot be proven to be an error. For example, the compiler emits a warning for an unused variable. An unused variable does not affect program execution, but its existence suggests that you might have meant to use it. Compilation continues and object code is generated (if no errors are detected).
- A **remark** is less serious than a warning. It may indicate something that is a potential problem in rare cases, or the remark may be strictly informational. Compilation continues and object code is generated (if no errors are detected). By default, remarks are not issued. Use the `--issue_remarks` compiler option to enable remarks.
- **Advice** provides information about recommended usage. It is not provided in the same way as the other diagnostic categories described here. Instead, it is only available in Code Composer Studio in the Advice area, which is a tab that appears next to the Problems tab. This advice cannot be controlled or accessed via the command line. The advice provided includes suggested settings for the `--opt_level` and `--opt_for_speed` options. In addition, messages about suggested code changes from the ULP (Ultra-Low Power) Advisor are provided in this tab.

Diagnostic messages are written to standard error with a form like the following example:

```
"test.c", line 5: error: a break statement may only be used within a loop or switch
  break;
  ^
```

By default, the source code line is not printed. Use the `--verbose_diagnostics` compiler option to display the source line and the error position. The above example makes use of this option.

The message identifies the file and line involved in the diagnostic, and the source line itself (with the position indicated by the `^` character) follows the message. If several diagnostic messages apply to one source line, each diagnostic has the form shown; the text of the source line is displayed several times, with an appropriate position indicated each time.

Long messages are wrapped to additional lines, when necessary.

You can use the `--display_error_number` command-line option to request that the diagnostic's numeric identifier be included in the diagnostic message. When displayed, the diagnostic identifier also indicates whether the diagnostic can have its severity overridden on the command line. If the severity can be overridden, the diagnostic identifier includes the suffix `-D` (for *discretionary*); otherwise, no suffix is present. For example:

```
"Test_name.c", line 7: error #64-D: declaration does not declare anything
  sTStruct {};
  ^
"Test_name.c", line 9: error #77: this declaration has no storage class or type specifier
  xxxxxx;
  ^
```

Because errors are determined to be discretionary based on the severity in a specific context, an error can be discretionary in some cases and not in others. All warnings and remarks are discretionary.

For some messages, a list of entities (functions, local variables, source files, etc.) is useful; the entities are listed following the initial error message:

```
"test.c", line 4: error: more than one instance of overloaded function "f"
  matches the argument list:
  function "f(int)"
  function "f(float)"
  argument types are: (double)
  f(1.5);
  ^
```

In some cases, additional context information is provided. Specifically, the context information is useful when the front end issues a diagnostic while doing a template instantiation or while generating a constructor, destructor, or assignment operator function. For example:

```
"test.c", line 7: error: "A::A()" is inaccessible
  B x;
  ^
  detected during implicit generation of "B::B()" at line 7
```

Without the context information, it is difficult to determine to what the error refers.

2.7.1 Controlling Diagnostic Messages

The C/C++ compiler provides diagnostic options to control compiler- and linker-generated diagnostic messages. The diagnostic options must be specified before the `--run_linker` option.

`--diag_error=num`

Categorizes the diagnostic identified by `num` as an error. To determine the numeric identifier of a diagnostic message, use the `--display_error_number` option first in a separate compile. Then use `--diag_error=num` to recategorize the diagnostic as an error. You can only alter the severity of discretionary diagnostic messages.

--diag_remark=num	Categorizes the diagnostic identified by <i>num</i> as a remark. To determine the numeric identifier of a diagnostic message, use the <code>--display_error_number</code> option first in a separate compile. Then use <code>--diag_remark=num</code> to recategorize the diagnostic as a remark. You can only alter the severity of discretionary diagnostic messages.
--diag_suppress=num	Suppresses the diagnostic identified by <i>num</i> . To determine the numeric identifier of a diagnostic message, use the <code>--display_error_number</code> option first in a separate compile. Then use <code>--diag_suppress=num</code> to suppress the diagnostic. You can only suppress discretionary diagnostic messages.
--diag_warning=num	Categorizes the diagnostic identified by <i>num</i> as a warning. To determine the numeric identifier of a diagnostic message, use the <code>--display_error_number</code> option first in a separate compile. Then use <code>--diag_warning=num</code> to recategorize the diagnostic as a warning. You can only alter the severity of discretionary diagnostic messages.
--display_error_number	Displays a diagnostic's numeric identifier along with its text. Use this option in determining which arguments you need to supply to the diagnostic suppression options (<code>--diag_suppress</code> , <code>--diag_error</code> , <code>--diag_remark</code> , and <code>--diag_warning</code>). This option also indicates whether a diagnostic is discretionary. A discretionary diagnostic is one whose severity can be overridden. A discretionary diagnostic includes the suffix <code>-D</code> ; otherwise, no suffix is present. See Section 2.7 .
--emit_warnings_as_errors	Treats all warnings as errors. This option cannot be used with the <code>--no_warnings</code> option. The <code>--diag_remark</code> option takes precedence over this option. This option takes precedence over the <code>--diag_warning</code> option.
--issue_remarks	Issues remarks (non-serious warnings), which are suppressed by default.
--no_warnings	Suppresses diagnostic warnings (errors are still issued).
--section_sizes={on off}	Generates section size information, including sizes for sections containing executable code and constants, constant or initialized data (global and static variables), and uninitialized data. Section size information is output during both the assembly and linking phases. This option should be placed on the command line with the compiler options (that is, before the <code>--run_linker</code> or <code>--z</code> option).
--set_error_limit=num	Sets the error limit to <i>num</i> , which can be any decimal value. The compiler abandons compiling after this number of errors. (The default is 100.)
--verbose_diagnostics	Provides verbose diagnostic messages that display the original source with line-wrap and indicate the position of the error in the source line. Note that this command-line option cannot be used within the Code Composer Studio IDE.
--write_diagnostics_file	Produces a diagnostic message information file with the same source file name with an <code>.err</code> extension. (The <code>--write_diagnostics_file</code> option is not supported by the linker.) Note that this command-line option cannot be used within the Code Composer Studio IDE.

2.7.2 How You Can Use Diagnostic Suppression Options

The following example demonstrates how you can control diagnostic messages issued by the compiler. You control the linker diagnostic messages in a similar manner.

```
int one();
int I;
int main()
{
    switch (I){
        case 1;
            return one ();
            break;
        default:
            return 0;
            break;
    }
}
```

If you invoke the compiler with the `--quiet` option, this is the result:

```
"err.c", line 9: warning: statement is unreachable
"err.c", line 12: warning: statement is unreachable
```

Because it is standard programming practice to include break statements at the end of each case arm to avoid the fall-through condition, these warnings can be ignored. Using the `--display_error_number` option, you can find out the diagnostic identifier for these warnings. Here is the result:

```
[err.c]
"err.c", line 9: warning #111-D: statement is unreachable
"err.c", line 12: warning #111-D: statement is unreachable
```

Next, you can use the diagnostic identifier of 111 as the argument to the `--diag_remark` option to treat this warning as a remark. This compilation produces no diagnostic messages (because remarks are disabled by default).

Note

You can suppress any non-fatal errors, but be careful to make sure you only suppress diagnostic messages that you understand and are known not to affect the correctness of your program.

2.8 Other Messages

Other error messages that are unrelated to the source, such as incorrect command-line syntax or inability to find specified files, are usually fatal. They are identified by the symbol `>>` preceding the message.

2.9 Generating Cross-Reference Listing Information (`--gen_cross_reference` Option)

The `--gen_cross_reference` option generates a cross-reference listing file that contains reference information for each identifier in the source file. (The `--gen_cross_reference` option is separate from `--asm_listing_cross_reference`, which is an assembler rather than a compiler option.) The cross-reference listing file has the same name as the source file with a `.crl` extension.

The information in the cross-reference listing file is displayed in the following format:

sym-id name X filename line number column number

<i>sym-id</i>	An integer uniquely assigned to each identifier
<i>name</i>	The identifier name
<i>X</i>	One of the following values:
	D Definition
	d Declaration (not a definition)
	M Modification
	A Address taken
	U Used
	C Changed (used and modified in a single operation)
	R Any other kind of reference
	E Error; reference is indeterminate
<i>filename</i>	The source file
<i>line number</i>	The line number in the source file
<i>column number</i>	The column number in the source file

2.10 Generating a Raw Listing File (--gen_preprocessor_listing Option)

The `--gen_preprocessor_listing` option generates a raw listing file that can help you understand how the compiler is preprocessing your source file. Whereas the preprocessed listing file (generated with the `--preproc_only`, `--preproc_with_comment`, `--preproc_with_line`, and `--preproc_dependency` preprocessor options) shows a preprocessed version of your source file, a raw listing file provides a comparison between the original source line and the preprocessed output. The raw listing file has the same name as the corresponding source file with an `.rl` extension.

The raw listing file contains the following information:

- Each original source line
- Transitions into and out of include files
- Diagnostic messages
- Preprocessed source line if nontrivial processing was performed (comment removal is considered trivial; other preprocessing is nontrivial)

Each source line in the raw listing file begins with one of the identifiers listed in [Table 2-31](#).

Table 2-31. Raw Listing File Identifiers

Identifier	Definition
N	Normal line of source
X	Expanded line of source. It appears immediately following the normal line of source if nontrivial preprocessing occurs.
S	Skipped source line (false <code>#if</code> clause)
L	Change in source position, given in the following format: <i>L line number filename key</i> Where <i>line number</i> is the line number in the source file. The <i>key</i> is present only when the change is due to entry/exit of an include file. Possible values of <i>key</i> are: 1 = entry into an include file 2 = exit from an include file

The `--gen_preprocessor_listing` option also includes diagnostic identifiers as defined in [Table 2-32](#).

Table 2-32. Raw Listing File Diagnostic Identifiers

Diagnostic Identifier	Definition
E	Error
F	Fatal
R	Remark
W	Warning

Diagnostic raw listing information is displayed in the following format:

```
S filename line number column number diagnostic
```

S	One of the identifiers in Table 2-32 that indicates the severity of the diagnostic
<i>filename</i>	The source file
<i>line number</i>	The line number in the source file
<i>column number</i>	The column number in the source file
<i>diagnostic</i>	The message text for the diagnostic

Diagnostic messages after the end of file are indicated as the last line of the file with a column number of 0. When diagnostic message text requires more than one line, each subsequent line contains the same file, line, and column information but uses a lowercase version of the diagnostic identifier. For more information about diagnostic messages, see [Section 2.7](#).

2.11 Using Inline Function Expansion

When an inline function is called, a copy of the C/C++ source code for the function is inserted at the point of the call. This is known as inline function expansion, commonly called *function inlining* or just *inlining*. Inline function expansion can speed up execution by eliminating function call overhead. This is particularly beneficial for very small functions that are called frequently. Function inlining involves a tradeoff between execution speed and code size, because the code is duplicated at each function call site. Large functions that are called in many places are poor candidates for inlining.

Note

Excessive Inlining Can Degrade Performance: Excessive inlining can make the compiler dramatically slower and degrade the performance of generated code.

Function inlining is triggered by the following situations:

- The use of built-in intrinsic operations. Intrinsic operations look like function calls, and are inlined automatically, even though no function body exists.
- Use of the `inline` keyword or the equivalent `__inline` keyword. Functions declared with the `inline` keyword may be inlined by the compiler if you set `--opt_level=0` or greater. The `inline` keyword is a suggestion from the programmer to the compiler. Even if your optimization level is high, inlining is still optional for the compiler. The compiler decides whether to inline a function based on the length of the function, the number of times it is called, your `--opt_for_speed` setting, and any contents of the function that disqualify it from inlining (see [Section 2.11.2](#)). Functions can be inlined at `--opt_level=0` or above if the function body is visible in the same module or if `-pm` is also used and the function is visible in one of the modules being compiled. Functions may be inlined at link time if the file containing the definition and the call site were both compiled with `--opt_level=4`. Functions defined as both static and inline are more likely to be inlined.
- When `--opt_level=3` or greater is used, the compiler may automatically inline eligible functions even if they are not declared as inline functions. The same list of decision factors listed for functions explicitly defined with the `inline` keyword is used. For more about automatic function inlining, see [Section 3.5](#).
- The pragma `FUNC_ALWAYS_INLINE` ([Section 5.11.11](#)) and the equivalent `always_inline` attribute ([Section 5.16.2](#)) force a function to be inlined (where it is legal to do so) unless `--opt_level=off`. That is, the pragma `FUNC_ALWAYS_INLINE` forces function inlining even if the function is not declared as inline and the `--opt_level=0` or `--opt_level=1`.
- The `FORCEINLINE` pragma ([Section 5.11.9](#)) forces functions to be inlined in the annotated statement. That is, it has no effect on those functions in general, only on function calls in a single statement. The `FORCEINLINE_RECURSIVE` pragma forces inlining not only of calls visible in the statement, but also in the inlined bodies of calls from that statement.
- The `--disable_inlining` option prevents any inlining. The pragma `FUNC_CANNOT_INLINE` prevents a function from being inlined. The `NOINLINE` pragma prevents calls within a single statement from being inlined. (`NOINLINE` is the inverse of the `FORCEINLINE` pragma.)

Note

Function Inlining Can Greatly Increase Code Size: Function inlining increases code size, especially inlining a function that is called in a number of places. Function inlining is optimal for functions that are called only from a small number of places and for small functions.

The semantics of the `inline` keyword in C code follow the C99 standard. The semantics of the `inline` keyword in C++ code follow the C++ standard.

The `inline` keyword is supported in all C++ modes, in relaxed ANSI mode for all C standards, and in strict ANSI mode for C99 and C11. It is disabled in strict ANSI mode for C89, because it is a language extension that could conflict with a strictly conforming program. If you want to define inline functions while in strict ANSI C89 mode, use the alternate keyword `__inline`.

Compiler options that affect inlining are: `--opt_level`, `--auto_inline`, `--remove_hooks_when_inlining`, `--opt_for_speed`, and `--disable_inlining`.

2.11.1 Inlining Intrinsic Operators

The compiler has a number of built-in function-like operations called intrinsics. The implementation of an intrinsic function is handled by the compiler, which substitutes a sequence of instructions for the function call. This is similar to the way inline functions are handled; however, because the compiler knows the code of the intrinsic function, it can perform better optimization.

Intrinsics are inlined whether or not you use the optimizer. For details about intrinsics, and a list of the intrinsics, see [Section 6.8.1](#). In addition to those listed, `abs` and `memcpy` are implemented as intrinsics.

2.11.2 Inlining Restrictions

The compiler makes decisions about which functions to inline based on the factors mentioned in [Section 2.11](#). In addition, there are several restrictions that can disqualify a function from being inlined by automatic inlining or inline keyword-based inlining.

The compiler will leave calls as they are if the function:

- Has a different number of arguments than the call site
- Has an argument whose type is incompatible with the corresponding call site argument
- Is not declared inline and returns void but its return value is needed

The compiler will also not inline a call if the function has features that create difficult situations for the compiler:

- Has a variable-length argument list
- Never returns
- Is a recursive or non-leaf function that exceeds the depth limit
- Is not declared inline and contains an `asm()` statement that is not a comment
- Is an interrupt function
- Is the `main()` function
- Is not declared inline and will require too much stack space for local array or structure variables
- Contains a volatile local variable or argument
- Is a C++ function that contains a `catch`
- Is not defined in the current compilation unit and `-O4` optimization is not used

A call in a statement that is annotated with a `NOINLINE` pragma will not be inlined, regardless of other indications (including a `FUNC_ALWAYS_INLINE` pragma or `always_inline` attribute on the called function).

A call in a statement that is annotated with a `FORCEINLINE` pragma will always be inlined, if it is not disqualified for one of the reasons above, even if the called function has a `FUNC_CANNOT_INLINE` pragma or `cannot_inline` attribute.

In other words, a statement-level pragma overrides a function-level pragma or attribute. If both `NOINLINE` and `FORCEINLINE` apply to the same statement, then the one that appears first will be used and the rest will be ignored.

2.12 Using Interlist

The compiler tools include a feature that interlists C/C++ source statements into the assembly language output of the compiler. The interlist feature enables you to inspect the assembly code generated for each C statement. The interlist behaves differently, depending on whether or not the optimizer is used, and depending on which options you specify.

The easiest way to invoke the interlist feature is to use the `--c_src_interlist` option. To compile and run the interlist on a program called `function.c`, enter:

```
cl1430 --c_src_interlist function
```

The `--c_src_interlist` option prevents the compiler from deleting the interlisted assembly language output file. The output assembly file, `function.asm`, is assembled normally.

When you invoke the interlist feature without the optimizer, the interlist runs as a separate pass between the code generator and the assembler. It reads both the assembly and C/C++ source files, merges them, and writes the C/C++ statements into the assembly file as comments.

For information about using the interlist feature with the optimizer, see [Section 3.11](#). Using the `--c_src_interlist` option can cause performance and/or code size degradation.

The following example shows a typical interlisted assembly file.

```
;*****
;      .compiler_opts --mem_model:code=flat --mem_model:data=flat --symdebug:none
;      acp430 -@/var/tmp/TI764/AAAv0aGVG
;      .sect ".text"
;      .align 2
;      .clink
;      .global main
;-----
;      3 | int main()
;-----
;* FUNCTION NAME: main
;*
;* Regs Modified   : SP,SR,r11,r12,r13,r14,r15
;* Regs Used       : SP,SR,r11,r12,r13,r14,r15
;* Local Frame Size : 2 Args + 0 Auto + 0 Save = 2 byte
;*****
main:
;* -----*
;      SUB.W      #2,SP
;-----
;      5 | printf("Hello, world\n");
;-----
;      MOV.W      #0,$SSL1+0,0(SP)      ; |5|
;      CALL       #printf                ; |5|
;-----
;      ; |5|
;-----
;      7 | return 0;
;-----
;      MOV.W      #0,r12                ; |7|
;      ADD.W      #2,SP                  ; |7|
;      RET        ; |7|
;      ; |7|
;*****
;* STRINGS
;*****
;      .sect ".const"
;      .align 2
$SSL1: .string "Hello, world",10,0
;*****
;* UNDEFINED EXTERNAL REFERENCES
;*****
.global printf
```

2.13 Controlling Application Binary Interface

An Application Binary Interface (ABI) defines the low level interface between object files, and between an executable and its execution environment. An ABI allows ABI-compliant object files to be linked together, regardless of their source, and allows the resulting executable to run on any system that supports that ABI.

Object files conforming to different ABIs cannot be linked together. The linker detects this situation and generates an error.

The MSP430 compiler now supports only the Embedded Application Binary Interface (EABI) ABI, which uses the ELF object format and the DWARF debug format. If you want support for the legacy COFF ABI, please use the MSP430 v4.4 Code Generation Tools and refer to [SLAU132J](#) and [SLAU131J](#) for documentation.

All code in an EABI application must be built for EABI. Make sure all your libraries are available in EABI mode before migrating COFF ABI systems to MSP430 EABI.

For more details on the ABI, see [Section 5.13](#).

2.14 Enabling Entry Hook and Exit Hook Functions

An entry hook is a routine that is called upon entry to each function in the program. An exit hook is a routine that is called upon exit of each function. Applications for hooks include debugging, trace, profiling, and stack overflow checking.

Entry and exit hooks are enabled using the following options:

<code>--entry_hook[=<i>name</i>]</code>	Enables entry hooks. If specified, the hook function is called <i>name</i> . Otherwise, the default entry hook function name is <code>__entry_hook</code> .
<code>--entry_parm{=<i>name</i> address none}</code>	Specify the parameters to the hook function. The <i>name</i> parameter specifies that the name of the calling function is passed to the hook function as an argument. In this case the signature for the hook function is: <code>void hook(const char *name)</code> ; The <i>address</i> parameter specifies that the address of the calling function is passed to the hook function. In this case the signature for the hook function is: <code>void hook(void (*addr)())</code> ; The <i>none</i> parameter specifies that the hook is called with no parameters. This is the default. In this case the signature for the hook function is: <code>void hook(void)</code> ;
<code>--exit_hook[=<i>name</i>]</code>	Enables exit hooks. If specified, the hook function is called <i>name</i> . Otherwise, the default exit hook function name is <code>__exit_hook</code> .
<code>--exit_parm{=<i>name</i> address none}</code>	Specify the parameters to the hook function. The <i>name</i> parameter specifies that the name of the calling function is passed to the hook function as an argument. In this case the signature for the hook function is: <code>void hook(const char *name)</code> ; The <i>address</i> parameter specifies that the address of the calling function is passed to the hook function. In this case the signature for the hook function is: <code>void hook(void (*addr)())</code> ; The <i>none</i> parameter specifies that the hook is called with no parameters. This is the default. In this case the signature for the hook function is: <code>void hook(void)</code> ;

The presence of the hook options creates an implicit declaration of the hook function with the given signature. If a declaration or definition of the hook function appears in the compilation unit compiled with the options, it must agree with the signatures listed above.

In C++, the hooks are declared extern "C". Thus you can define them in C (or assembly) without being concerned with name mangling.

Hooks can be declared inline, in which case the compiler tries to inline them using the same criteria as other inline functions.

Entry hooks and exit hooks are independent. You can enable one but not the other, or both. The same function can be used as both the entry and exit hook.

You must take care to avoid recursive calls to hook functions. The hook function should not call any function which itself has hook calls inserted. To help prevent this, hooks are not generated for inline functions, or for the hook functions themselves.

You can use the `--remove_hooks_when_inlining` option to remove entry/exit hooks for functions that are auto-inlined by the optimizer.

See [Section 5.11.23](#) for information about the `NO_HOOKS` pragma.

This page intentionally left blank.

The compiler tools can perform many optimizations to improve the execution speed and reduce the size of C and C++ programs by simplifying loops, rearranging statements and expressions, and allocating variables into registers.

This chapter describes how to invoke different levels of optimization and describes which optimizations are performed at each level. This chapter also describes how you can use the Interlist feature when performing optimization and how you can debug optimized code.

3.1 Invoking Optimization	52
3.2 Controlling Code Size Versus Speed	53
3.3 Performing File-Level Optimization (--opt_level=3 option)	53
3.4 Program-Level Optimization (--program_level_compile and --opt_level=3 options)	53
3.5 Automatic Inline Expansion (--auto_inline Option)	56
3.6 Link-Time Optimization (--opt_level=4 Option)	56
3.7 Using Feedback Directed Optimization	57
3.8 Using Profile Information to Analyze Code Coverage	61
3.9 Accessing Aliased Variables in Optimized Code	62
3.10 Use Caution With asm Statements in Optimized Code	63
3.11 Using the Interlist Feature With Optimization	63
3.12 Debugging Optimized Code	64
3.13 What Kind of Optimization Is Being Performed?	64

3.1 Invoking Optimization

The C/C++ compiler is able to perform various optimizations. High-level optimizations are performed in the optimizer and low-level, target-specific optimizations occur in the code generator. Use higher optimization levels, such as `--opt_level=2` and `--opt_level=3`, to achieve optimal code.

The easiest way to invoke optimization is to use the compiler program, specifying the `--opt_level=n` option on the compiler command line. You can use `-On` to alias the `--opt_level` option. The *n* denotes the level of optimization (0, 1, 2, 3, and 4), which controls the type and degree of optimization.

- **--opt_level=off** or **-Ooff**
 - Performs no optimization
- **--opt_level=0** or **-O0**
 - Performs control-flow-graph simplification
 - Allocates variables to registers
 - Performs loop rotation
 - Eliminates unused code
 - Simplifies expressions and statements
 - Expands calls to functions declared inline
- **--opt_level=1** or **-O1**

Performs all `--opt_level=0` (`-O0`) optimizations, plus:

 - Performs local copy/constant propagation
 - Removes unused assignments
 - Eliminates local common expressions
- **--opt_level=2** or **-O2**

Performs all `--opt_level=1` (`-O1`) optimizations, plus:

 - Performs loop optimizations
 - Eliminates global common subexpressions
 - Eliminates global unused assignments
 - Performs loop unrolling
- **--opt_level=3** or **-O3**

Performs all `--opt_level=2` (`-O2`) optimizations, plus:

 - Removes all functions that are never called
 - Simplifies functions with return values that are never used
 - Inlines calls to small functions
 - Reorders function declarations; the called functions attributes are known when the caller is optimized
 - Propagates arguments into function bodies when all calls pass the same value in the same argument position
 - Identifies file-level variable characteristics

If you use `--opt_level=3` (`-O3`), see [Section 3.3](#) and [Section 3.4](#) for more information.
- **--opt_level=4** or **-O4**

Performs link-time optimization. See [Section 3.6](#) for details.

For details about how the `--opt_level` and `--opt_for_speed` options and various pragmas affect inlining, see [Section 2.11](#).

Debugging is enabled by default, and the optimization level is unaffected by the generation of debug information.

Optimizations are performed by the stand-alone optimization pass. The code generator performs several additional optimizations, particularly processor-specific optimizations. It does so regardless of whether you invoke the optimizer. These optimizations are always enabled, though they are more effective when the optimizer is used.

3.2 Controlling Code Size Versus Speed

To balance the tradeoff between code size and speed, use the `--opt_for_speed` option. The level of optimization (0-5) controls the type and degree of code size or code speed optimization:

- `--opt_for_speed=0`
Optimizes code size with a *high* risk of worsening or impacting performance.
- `--opt_for_speed=1`
Optimizes code size with a *medium* risk of worsening or impacting performance.
- `--opt_for_speed=2`
Optimizes code size with a *low* risk of worsening or impacting performance.
- `--opt_for_speed=3`
Optimizes code performance/speed with a *low* risk of worsening or impacting code size.
- `--opt_for_speed=4`
Optimizes code performance/speed with a *medium* risk of worsening or impacting code size.
- `--opt_for_speed=5`
Optimizes code performance/speed with a *high* risk of worsening or impacting code size.

If you specify the `--opt_for_speed` option without a parameter, the default setting is `--opt_for_speed=4`. If you do not specify the `--opt_for_speed` option, the default setting is 1

3.3 Performing File-Level Optimization (`--opt_level=3` option)

The `--opt_level=3` option (aliased as the `-O3` option) instructs the compiler to perform file-level optimization. You can use the `--opt_level=3` option alone to perform general file-level optimization, or you can combine it with other options to perform more specific optimizations. The options listed in [Table 3-1](#) work with `--opt_level=3` to perform the indicated optimization:

Table 3-1. Options That You Can Use With `--opt_level=3`

If You ...	Use this Option	See
Want to create an optimization information file	<code>--gen_opt_level=n</code>	Section 3.3.1
Want to compile multiple source files	<code>--program_level_compile</code>	Section 3.4

3.3.1 Creating an Optimization Information File (`--gen_opt_info` Option)

When you invoke the compiler with the `--opt_level=3` option, you can use the `--gen_opt_info` option to create an optimization information file that you can read. The number following the option denotes the level (0, 1, or 2). The resulting file has an `.nfo` extension. Use [Table 3-2](#) to select the appropriate level to append to the option.

Table 3-2. Selecting a Level for the `--gen_opt_info` Option

If you...	Use this option
Do not want to produce an information file, but you used the <code>--gen_opt_level=1</code> or <code>--gen_opt_level=2</code> option in a command file or an environment variable. The <code>--gen_opt_level=0</code> option restores the default behavior of the optimizer.	<code>--gen_opt_info=0</code>
Want to produce an optimization information file	<code>--gen_opt_info=1</code>
Want to produce a verbose optimization information file	<code>--gen_opt_info=2</code>

3.4 Program-Level Optimization (`--program_level_compile` and `--opt_level=3` options)

You can specify program-level optimization by using the `--program_level_compile` option with the `--opt_level=3` option (aliased as `-O3`). (If you use `--opt_level=4` (`-O4`), the `--program_level_compile` option cannot be used, because link-time optimization provides the same optimization opportunities as program level optimization.)

With program-level optimization, all of your source files are compiled into one intermediate file called a *module*. The module moves to the optimization and code generation passes of the compiler. Because the compiler can see the entire program, it performs several optimizations that are rarely applied during file-level optimization:

- If a particular argument in a function always has the same value, the compiler replaces the argument with the value and passes the value instead of the argument.
- If a return value of a function is never used, the compiler deletes the return code in the function.
- If a function is not called directly or indirectly by `main()`, the compiler removes the function.

The `--program_level_compile` option requires use of `--opt_level=3` or higher in order to perform these optimizations.

To see which program-level optimizations the compiler is applying, use the `--gen_opt_level=2` option to generate an information file. See [Section 3.3.1](#) for more information.

In Code Composer Studio, when the `--program_level_compile` option is used, C and C++ files that have the same options are compiled together. However, if any file has a file-specific option that is not selected as a project-wide option, that file is compiled separately. For example, if every C and C++ file in your project has a different set of file-specific options, each is compiled separately, even though program-level optimization has been specified. To compile all C and C++ files together, make sure the files do not have file-specific options. Be aware that compiling C and C++ files together may not be safe if previously you used a file-specific option.

Note

Compiling Files With the `--program_level_compile` and `--keep_asm` Options

If you compile all files with the `--program_level_compile` and `--keep_asm` options, the compiler produces only one `.asm` file, not one for each corresponding source file.

3.4.1 Controlling Program-Level Optimization (`--call_assumptions` Option)

You can control program-level optimization, which you invoke with `--program_level_compile --opt_level=3`, by using the `--call_assumptions` option. Specifically, the `--call_assumptions` option indicates if functions in other modules can call a module's external functions or modify a module's external variables. The number following `--call_assumptions` indicates the level you set for the module that you are allowing to be called or modified. The `--opt_level=3` option combines this information with its own file-level analysis to decide whether to treat this module's external function and variable declarations as if they had been declared static. Use [Table 3-3](#) to select the appropriate level to append to the `--call_assumptions` option.

Table 3-3. Selecting a Level for the `--call_assumptions` Option

If Your Module ...	Use this Option
Has functions that are called from other modules and global variables that are modified in other modules	<code>--call_assumptions=0</code>
Does not have functions that are called by other modules but has global variables that are modified in other modules	<code>--call_assumptions=1</code>
Does not have functions that are called by other modules or global variables that are modified in other modules	<code>--call_assumptions=2</code>
Has functions that are called from other modules but does not have global variables that are modified in other modules	<code>--call_assumptions=3</code>

In certain circumstances, the compiler reverts to a different `--call_assumptions` level from the one you specified, or it might disable program-level optimization altogether. [Table 3-4](#) lists the combinations of `--call_assumptions` levels and conditions that cause the compiler to revert to other `--call_assumptions` levels.

Table 3-4. Special Considerations When Using the `--call_assumptions` Option

If <code>--call_assumptions</code> is...	Under these Conditions...	Then the <code>--call_assumptions</code> Level...
Not specified	The <code>--opt_level=3</code> optimization level was specified	Defaults to <code>--call_assumptions=2</code>
Not specified	The compiler sees calls to outside functions under the <code>--opt_level=3</code> optimization level	Reverts to <code>--call_assumptions=0</code>

Table 3-4. Special Considerations When Using the --call_assumptions Option (continued)

If --call_assumptions is...	Under these Conditions...	Then the --call_assumptions Level...
Not specified	Main is not defined	Reverts to --call_assumptions=0
--call_assumptions=1 or --call_assumptions=2	No function has main defined as an entry point, <i>and</i> no interrupt functions are defined, <i>and</i> no functions are identified by the FUNC_EXT_CALLED pragma	Reverts to --call_assumptions=0
--call_assumptions=1 or --call_assumptions=2	A main function is defined, <i>or</i> , an interrupt function is defined, <i>or</i> a function is identified by the FUNC_EXT_CALLED pragma	Remains --call_assumptions=1 or --call_assumptions=2
--call_assumptions=3	Any condition	Remains --call_assumptions=3

In some situations when you use --program_level_compile and --opt_level=3, you *must* use a --call_assumptions option or the FUNC_EXT_CALLED pragma. See [Section 3.4.2](#) for information about these situations.

3.4.2 Optimization Considerations When Mixing C/C++ and Assembly

If you have any assembly functions in your program, you need to exercise caution when using the --program_level_compile option. The compiler recognizes only the C/C++ source code and not any assembly code that might be present. Because the compiler does not recognize the assembly code calls and variable modifications to C/C++ functions, the --program_level_compile option optimizes out those C/C++ functions. To keep these functions, place the FUNC_EXT_CALLED pragma (see [Section 5.11.13](#)) before any declaration or reference to a function that you want to keep.

Another approach you can take when you use assembly functions in your program is to use the --call_assumptions=*n* option with the --program_level_compile and --opt_level=3 options. See [Section 3.4.1](#) for information about the --call_assumptions=*n* option.

In general, you achieve the best results through judicious use of the FUNC_EXT_CALLED pragma in combination with --program_level_compile --opt_level=3 and --call_assumptions=1 or --call_assumptions=2.

If any of the following situations apply to your application, use the suggested solution:

- **Situation:** Your application consists of C/C++ source code that calls assembly functions. Those assembly functions do not call any C/C++ functions or modify any C/C++ variables.

Solution: Compile with --program_level_compile --opt_level=3 --call_assumptions=2 to tell the compiler that outside functions do not call C/C++ functions or modify C/C++ variables.

If you compile with the --program_level_compile --opt_level=3 options only, the compiler reverts from the default optimization level (--call_assumptions=2) to --call_assumptions=0. The compiler uses --call_assumptions=0, because it presumes that the calls to the assembly language functions that have a definition in C/C++ may call other C/C++ functions or modify C/C++ variables.

- **Situation:** Your application consists of C/C++ source code that calls assembly functions. The assembly language functions do not call C/C++ functions, but they modify C/C++ variables.

Solution: Try both of these solutions and choose the one that works best with your code:

- Compile with --program_level_compile --opt_level=3 --call_assumptions=1.
- Add the volatile keyword to those variables that may be modified by the assembly functions and compile with --program_level_compile --opt_level=3 --call_assumptions=2.

- **Situation:** Your application consists of C/C++ source code and assembly source code. The assembly functions are interrupt service routines that call C/C++ functions; the C/C++ functions that the assembly functions call are never called from C/C++. These C/C++ functions act like main: they function as entry points into C/C++.

Solution: Add the volatile keyword to the C/C++ variables that may be modified by the interrupts. Then, you can optimize your code in one of these ways:

- You achieve the best optimization by applying the FUNC_EXT_CALLED pragma to all of the entry-point functions called from the assembly language interrupts, and then compiling with --program_level_compile

`--opt_level=3 --call_assumptions=2`. Be sure that you use the pragma with all of the entry-point functions. If you do not, the compiler might remove the entry-point functions that are not preceded by the `FUNC_EXT_CALLED` pragma.

- Compile with `--program_level_compile --opt_level=3 --call_assumptions=3`. Because you do not use the `FUNC_EXT_CALLED` pragma, you must use the `--call_assumptions=3` option, which is less aggressive than the `--call_assumptions=2` option, and your optimization may not be as effective.

Keep in mind that if you use `--program_level_compile --opt_level=3` without additional options, the compiler removes the C functions that the assembly functions call. Use the `FUNC_EXT_CALLED` pragma to keep these functions.

3.5 Automatic Inline Expansion (`--auto_inline` Option)

When optimizing with the `--opt_level=3` option (aliased as `-O3`), the compiler automatically inlines small functions. A command-line option, `--auto_inline=size`, specifies the size threshold. Any function larger than the `size` threshold is not automatically inlined. You can use the `--auto_inline=size` option in the following ways:

- If you set the `size` parameter to 0 (`--auto_inline=0`), automatic inline expansion is disabled.
- If you set the `size` parameter to a nonzero integer, the compiler uses this size threshold as a limit to the size of the functions it automatically inlines. The compiler multiplies the number of times the function is inlined (plus 1 if the function is externally visible and its declaration cannot be safely removed) by the size of the function.

The compiler inlines the function only if the result is less than the `size` parameter. The compiler measures the size of a function in arbitrary units; however, the optimizer information file (created with the `--gen_opt_level=1` or `--gen_opt_level=2` option) reports the size of each function in the same units that the `--auto_inline` option uses.

The `--auto_inline=size` option controls only the inlining of functions that are not explicitly declared as inline. If you do not use the `--auto_inline=size` option, the compiler inlines very small functions.

For information about interactions between command-line options, pragmas, and keywords that affect inlining, see [Section 2.11](#).

Note

Optimization Level 3 and Inlining: In order to turn on automatic inlining, you must use the `--opt_level=3` option. If you desire the `--opt_level=3` optimizations, but not automatic inlining, use `--auto_inline=0` with the `--opt_level=3` option.

Note

Inlining and Code Size: Expanding functions inline increases code size, especially inlining a function that is called in a number of places. Function inlining is optimal for functions that are called only from a small number of places and for small functions. To prevent increases in code size because of inlining, use the `--auto_inline=0` option. This option causes the compiler to inline intrinsics only.

3.6 Link-Time Optimization (`--opt_level=4` Option)

Link-time optimization is an optimization mode that allows the compiler to have visibility of the entire program. The optimization occurs at link-time instead of compile-time like other optimization levels.

Link-time optimization is invoked using the `--opt_level=4` option. This option must be placed *before* the `--run_linker (-z)` option on the command line, because both the compiler and linker are involved in link-time optimization. At compile time, the compiler embeds an intermediate representation of the file being compiled into the resulting object file. At link-time this representation is extracted from every object file which contains it, and is used to optimize the entire program.

If you use `--opt_level=4 (-O4)`, the `--program_level_compile` option cannot also be used, because link-time optimization provides the same optimization opportunities as program level optimization ([Section 3.4](#)). Link-time optimization provides the following benefits:

- Each source file can be compiled separately. One issue with program-level compilation is that it requires all source files to be passed to the compiler at one time. This often requires significant modification of a customer's build process. With link-time optimization, all files can be compiled separately.
- References to C/C++ symbols from assembly are handled automatically. When doing program-level compilation, the compiler has no knowledge of whether a symbol is referenced externally. When performing link-time optimization during a final link, the linker can determine which symbols are referenced externally and prevent eliminating them during optimization.
- Third party object files can participate in optimization. If a third party vendor provides object files that were compiled with the `--opt_level=4` option, those files participate in optimization along with user-generated files. This includes object files supplied as part of the TI run-time support. Object files that were not compiled with `--opt_level=4` can still be used in a link that is performing link-time optimization. Those files that were not compiled with `--opt_level=4` do not participate in the optimization.
- Source files can be compiled with different option sets. With program-level compilation, all source files must be compiled with the same option set. With link-time optimization files can be compiled with different options. If the compiler determines that two options are incompatible, it issues an error.

3.6.1 Option Handling

When performing link-time optimization, source files can be compiled with different options. When possible, the options that were used during compilation are used during link-time optimization. For options which apply at the program level, `--auto_inline` for instance, the options used to compile the main function are used. If main is not included in link-time optimization, the option set used for the first object file specified on the command line is used. Some options, `--opt_for_speed` for instance, can affect a wide range of optimizations. For these options, the program-level behavior is derived from main, and the local optimizations are obtained from the original option set.

Some options are incompatible when performing link-time optimization. These are usually options which conflict on the command line as well, but can also be options that cannot be handled during link-time optimization.

3.6.2 Incompatible Types

During a normal link, the linker does not check to make sure that each symbol was declared with the same type in different files. This is not necessary during a normal link. When performing link-time optimization, however, the linker must ensure that all symbols are declared with compatible types in different source files. If a symbol is found which has incompatible types, an error is issued. The rules for compatible types are derived from the C and C++ standards.

3.7 Using Feedback Directed Optimization

Feedback directed optimization provides a method for finding frequently executed paths in an application using compiler-based instrumentation. This information is fed back to the compiler and is used to perform optimizations. This information is also used to provide you with information about application behavior.

3.7.1 Feedback Directed Optimization

Feedback directed optimization uses run-time feedback to identify and optimize frequently executed program paths. Feedback directed optimization is a two-phase process.

3.7.1.1 Phase 1 -- Collect Program Profile Information

In this phase the compiler is invoked with the option `--gen_profile_info`, which instructs the compiler to add instrumentation code to collect profile information. The compiler inserts a minimal amount of instrumentation code to determine control flow frequencies. Memory is allocated to store counter information.

The instrumented application program is executed on the target using representative input data sets. The input data sets should correlate closely with the way the program is expected to be used in the end product environment. When the program completes, a run-time-support function writes the collected information into a profile data file called a PDAT file. Multiple executions of the program using different input data sets can be performed and in such cases, the run-time-support function appends the collected information into the PDAT file. The resulting PDAT file is post-processed using a tool called the Profile Data Decoder or pdd430. The pdd430

tool consolidates multiple data sets and formats the data into a feedback file (PRF file, see [Section 3.7.2](#)) for consumption by phase 2 of feedback directed optimization.

3.7.1.2 Phase 2 -- Use Application Profile Information for Optimization

In this phase, the compiler is invoked with the `--use_profile_info=file.prf` option, which reads the specified PRF file generated in phase 1. In phase 2, optimization decisions are made using the data generated during phase 1. The profile feedback file is used to guide program optimization. The compiler optimizes frequently executed program paths more aggressively.

The compiler uses data in the profile feedback file to guide certain optimizations of frequently executed program paths.

3.7.1.3 Generating and Using Profile Information

There are two options that control feedback directed optimization:

--gen_profile_info	<p>tells the compiler to add instrumentation code to collect profile information. When the program executes the run-time-support <code>exit()</code> function, the profile data is written to a PDAT file. This option applies to all the C/C++ source files being compiled on the command-line.</p> <p>If the environment variable <code>TI_PROFDATA</code> on the host is set, the data is written into the specified file. Otherwise, it uses the default filename: <code>pprofout.pdat</code>. The full pathname of the PDAT file (including the directory name) can be specified using the <code>TI_PROFDATA</code> host environment variable.</p> <p>By default, the RTS profile data output routine uses the C I/O mechanism to write data to the PDAT file. You can install a device handler for the PPHNDL device to re-direct the profile data to a custom device driver routine. For example, this could be used to send the profile data to a device that does not use a file system. Feedback directed optimization requires you to turn on at least some debug information when using the <code>--gen_profile_info</code> option. This enables the compiler to output debug information that allows <code>pdd430</code> to correlate compiled functions and their associated profile data.</p>
--use_profile_info	<p>specifies the profile information file(s) to use for performing phase 2 of feedback directed optimization. More than one profile information file can be specified on the command line; the compiler uses all input data from multiple information files. The syntax for the option is:</p> <p><code>--use_profile_info==file1[, file2, ..., filen]</code></p> <p>If no filename is specified, the compiler looks for a file named <code>pprofout.prf</code> in the directory where the compiler is invoked.</p>

3.7.1.4 Example Use of Feedback Directed Optimization

These steps illustrate the creation and use of feedback directed optimization.

1. Generate profile information.

```
c1430 --opt_level=2 --gen_profile_info foo.c --run_linker --output_file=foo.out
--library=lnk.cmd --library=rts430.lib
```

2. Execute the application.

The execution of the application creates a PDAT file named `pprofout.pdat` in the current (host) directory. The application can be run on target hardware connected to a host machine.

3. Process the profile data.

After running the application with multiple data-sets, run `pdd430` on the PDAT files to create a profile information (PRF) file to be used with `--use_profile_info`.

```
pdd430 -e foo.out -o pprofout.prf pprofout.pdat
```

4. Re-compile using the profile feedback file.

```
c1430 --opt_level=2 --use_profile_info=pprofout.prf foo.c --run_linker
--output_file=foo.out --library=lnk.cmd --library=rts430.lib
```

3.7.1.5 The .ppdata Section

The profile information collected in phase 1 is stored in the `.ppdata` section, which must be allocated into target memory. The `.ppdata` section contains profiler counters for all functions compiled with `--gen_profile_info`. The default `lnk.cmd` file in has directives to place the `.ppdata` section in data memory. If the link command file has no section directive for allocating `.ppdata` section, the link step places the `.ppdata` section in a writable memory range.

The `.ppdata` section must be allocated memory in multiples of 32 bytes. Please refer to the linker command file in the distribution for example usage.

3.7.1.6 Feedback Directed Optimization and Code Size Tune

Feedback directed optimization is different from the Code Size Tune feature in Code Composer Studio (CCS). The code size tune feature uses CCS profiling to select specific compilation options for each function in order to minimize code size while still maintaining a specific performance point. Code size tune is coarse-grained, since it is selecting an option set for the whole function. Feedback directed optimization selects different optimization goals along specific regions within a function.

3.7.1.7 Instrumented Program Execution Overhead

During profile collection, the execution time of the application may increase. The amount of increase depends on the size of the application and the number of files in the application compiled for profiling.

The profiling counters increase the code and data size of the application. Consider using the option when using profiling to mitigate the code size increase. This has no effect on the accuracy of the profile data being collected. Since profiling only counts execution frequency and not cycle counts, code size optimization flags do not affect profiler measurements.

3.7.1.8 Invalid Profile Data

When recompiling with `--use_profile_info`, the profile information is invalid in the following cases:

- The source file name changed between the generation of profile information (`gen-profile`) and the use of the profile information (`use-profile`).
- The source code was modified since `gen-profile`. In this case, profile information is invalid for the modified functions.
- Certain compiler options used with `gen-profile` are different from those with used with `use-profile`. In particular, options that affect parser behavior could invalidate profile data during `use-profile`. In general, using different optimization options during `use-profile` should not affect the validity of profile data.

3.7.2 Profile Data Decoder

The code generation tools include a tool called the Profile Data Decoder or `pdd430`, which is used for post processing profile data (PDAT) files. The `pdd430` tool generates a profile feedback (PRF) file. See [Section 3.7.1](#) for a discussion of where `pdd430` fits in the profiling flow. The `pdd430` tool is invoked with this syntax:

```
pdd430 -e exec.out -o application.prf filename .pdat
```

-a	Computes the average of the data values in the data sets instead of accumulating data values
-e exec.out	Specifies <code>exec.out</code> is the name of the application executable.
-o application.prf	Specifies <code>application.prf</code> is the formatted profile feedback file that is used as the argument to <code>--use_profile_info</code> during recompilation. If no output file is specified, the default output filename is <code>pprofout.prf</code> .
filename .pdat	Is the name of the profile data file generated by the run-time-support function. This is the default name and it can be overridden by using the host environment variable <code>TI_PROFDATA</code> .

The run-time-support function and `pdd430` append to their respective output files and do not overwrite them. This enables collection of data sets from multiple runs of the application.

Note

Profile Data Decoder Requirements

Your application must be compiled with at least DWARF debug support to enable feedback directed optimization. When compiling for feedback directed optimization, the pdd430 tool relies on basic debug information about each function in generating the formatted .prf file.

The pprofout.pdat file generated by the run-time support is a raw data file of a fixed format understood only by pdd430. You should not modify this file in any way.

3.7.3 Feedback Directed Optimization API

There are two user interfaces to the profiler mechanism. You can start and stop profiling in your application by using the following run-time-support calls.

- `_TI_start_pprof_collection()`

This interface informs the run-time support that you wish to start profiling collection from this point on and causes the run-time support to clear all profiling counters in the application (that is, discard old counter values).

- `_TI_stop_pprof_collection()`

This interface directs the run-time support to stop profiling collection and output profiling data into the output file (into the default file or one specified by the `TI_PROFDATA` host environment variable). The run-time support also disables any further output of profile data into the output file during `exit()`, unless you call `_TI_start_pprof_collection()` again.

3.7.4 Feedback Directed Optimization Summary

Options

<code>--gen_profile_info</code>	Adds instrumentation to the compiled code. Execution of the code results in profile data being emitted to a PDAT file.
<code>--use_profile_info=file.prf</code>	Uses profile information for optimization and/or generating code coverage information.
<code>--analyze=codcov</code>	Generates a code coverage information file and continues with profile-based compilation. Must be used with <code>--use_profile_info</code> .
<code>--analyze_only</code>	Generates only a code coverage information file. Must be used with <code>--use_profile_info</code> . You must specify both <code>--analyze=codcov</code> and <code>--analyze_only</code> to do code coverage analysis of the instrumented application.

Host Environment Variables

<code>TI_PROFDATA</code>	Writes profile data into the specified file
<code>TI_COVDIR</code>	Creates code coverage files in the specified directory
<code>TI_COVDATA</code>	Writes code coverage data into the specified file

API

<code>_TI_start_pprof_collection()</code>	Clears the profile counters to file
<code>_TI_stop_pprof_collection()</code>	Writes out all profile counters to file
<code>PPHDNL</code>	Device driver handle for low-level C I/O based driver for writing out profile data from a target program.

Files Created

*.pdat	Profile data file, which is created by executing an instrumented program and used as input to the profile data decoder
*.prf	Profiling feedback file, which is created by the profile data decoder and used as input to the re-compilation step

3.8 Using Profile Information to Analyze Code Coverage

You can use the analysis information from the Profile Data Decoder to analyze code coverage.

3.8.1 Code Coverage

The information collected during feedback directed optimization can be used for generating code coverage reports. As with feedback directed optimization, the program must be compiled with the `--gen_profile_info` option. Code coverage conveys the execution count of each line of source code in the file being compiled, using data collected during profiling.

3.8.1.1 Phase1 -- Collect Program Profile Information

In this phase, the compiler is invoked with `--gen_profile_info`, which instructs the compiler to add instrumentation code to collect profile information. The compiler inserts a small amount of instrumentation code to determine control flow frequencies. Memory is allocated to store counter information.

The instrumented application program is executed on the target using representative input data sets. The input data sets should correlate closely with the way the program is expected to be used in the end product environment. When the program completes, a run-time-support function writes the collected information into a profile data file called a PDAT file. Multiple executions of the program using different input data sets can be performed and in such cases, the run-time-support function appends the collected information into the PDAT file. The resulting PDAT file is post-processed using a tool called the Profile Data Decoder or `pdd430`. The `pdd430` tool consolidates multiple data sets and formats the data into a feedback file (PRF file, see [Section 3.7.2](#)) for consumption by phase 2 of feedback directed optimization.

3.8.1.2 Phase 2 -- Generate Code Coverage Reports

In this phase, the compiler is invoked with the `--use_profile_info=file.prf` option, which indicates that the compiler should read the specified PRF file generated in phase 1. The application must also be compiled with either the `--codecov` or `--onlycodecov` option; the compiler generates a code-coverage info file. The `--codecov` option directs the compiler to continue compilation after generating code-coverage information, while the `--onlycodecov` option stops the compiler after generating code-coverage data. For example:

```
cl430 --opt_level=2 --use_profile_info=pprofout.prf --onlycodecov foo.c
```

You can specify two environment variables to control the destination of the code-coverage information file.

- The `TI_COVDIR` environment variable specifies the directory where the code-coverage file should be generated. The default is the directory where the compiler is invoked.
- The `TI_COVDATA` environment variable specifies the name of the code-coverage data file generated by the compiler. the default is `filename.csv` where `filename` is the base-name of the file being compiled. For example, if `foo.c` is being compiled, the default code-coverage data file name is `foo.csv`.

If the code-coverage data file already exists, the compiler appends the new dataset at the end of the file.

Code-coverage data is a comma-separated list of data items that can be conveniently handled by data-processing tools and scripting languages. The following is the format of code-coverage data:

`"filename-with-full-path", "funcname", line#, column#, exec-frequency, "comments"`

<code>"filename-with-full-path"</code>	Full pathname of the file corresponding to the entry
<code>"funcname"</code>	Name of the function
<code>line#</code>	Line number of the source line corresponding to frequency data
<code>column#</code>	Column number of the source line
<code>exec-frequency</code>	Execution frequency of the line
<code>"comments"</code>	Intermediate-level representation of the source-code generated by the parser

The full filename, function name, and comments appear within quotation marks (""). For example:

```
"/some_dir/zlib/msp430/deflate.c", "_deflateInit2_", 216, 5, 1, "( strm->zalloc )"
```

Other tools, such as a spreadsheet program, can be used to format and view the code coverage data.

3.8.2 Related Features and Capabilities

The code generation tools provide some features and capabilities that can be used in conjunction with code coverage analysis. The following is a summary:

3.8.2.1 Path Profiler

The code generation tools include a path profiling utility, pprof430, that is run from the compiler, cl430. The pprof430 utility is invoked by the compiler when the `--gen_profile` or the `--use_profile` command is used from the compiler command line:

```
cl430 --gen_profile ... file.c
```

```
cl430 --use_profile ... file.c
```

For further information about profile-based optimization and a more detailed description of the profiling infrastructure, see [Section 3.7](#).

3.8.2.2 Analysis Options

The path profiling utility, pprof430, appends code coverage information to existing CSV (comma separated values) files that contain the same type of analysis information.

The utility checks to make sure that an existing CSV file contains analysis information that is consistent with the type of analysis information it is being asked to generate. Attempts to mix code coverage and other analysis information in the same output CSV file will be detected, and pprof430 will emit a fatal error and abort.

<code>--analyze=codecov</code>	Instructs the compiler to generate code coverage analysis information. This option replaces the previous <code>--codecov</code> option.
<code>--analyze_only</code>	Halts compilation after generation of analysis information is completed.

3.8.2.3 Environment Variables

To assist with the management of output CSV analysis files, pprof430 supports this environment variable:

<code>TI_ANALYSIS_DIR</code>	Specifies the directory in which the output analysis file will be generated.
------------------------------	--

3.9 Accessing Aliased Variables in Optimized Code

Aliasing occurs when a single object can be accessed in more than one way, such as when two pointers point to the same object or when a pointer points to a named object. Aliasing can disrupt optimization because any indirect reference can refer to another object. The optimizer analyzes the code to determine where aliasing can and cannot occur, then optimizes as much as possible while still preserving the correctness of the program. The optimizer behaves conservatively. If there is a chance that two pointers are pointing to the same object, then the optimizer assumes that the pointers do point to the same object.

The compiler assumes that if the address of a local variable is passed to a function, the function changes the local variable by writing through the pointer. This makes the local variable's address unavailable for use elsewhere after returning. For example, the called function cannot assign the local variable's address to a global variable or return the local variable's address. In cases where this assumption is invalid, use the `--aliased_variables` compiler option to force the compiler to assume worst-case aliasing. In worst-case aliasing, any indirect reference can refer to such a variable.

3.10 Use Caution With asm Statements in Optimized Code

You must be extremely careful when using `asm` (inline assembly) statements in optimized code. The compiler rearranges code segments, uses registers freely, and can completely remove variables or expressions. Although the compiler never optimizes out an `asm` statement (except when it is unreachable), the surrounding environment where the assembly code is inserted can differ significantly from the original C/C++ source code.

It is usually safe to use `asm` statements to manipulate hardware controls such as interrupt masks, but `asm` statements that attempt to interface with the C/C++ environment or access C/C++ variables can have unexpected results. After compilation, check the assembly output to make sure your `asm` statements are correct and maintain the integrity of the program.

3.11 Using the Interlist Feature With Optimization

You control the output of the interlist feature when compiling with optimization (the `--opt_level=n` or `-On` option) with the `--optimizer_interlist` and `--c_src_interlist` options.

- The `--optimizer_interlist` option interlists compiler comments with assembly source statements.
- The `--c_src_interlist` and `--optimizer_interlist` options together interlist the compiler comments and the original C/C++ source with the assembly code.

When you use the `--optimizer_interlist` option with optimization, the interlist feature does *not* run as a separate pass. Instead, the compiler inserts comments into the code, indicating how the compiler has rearranged and optimized the code. These comments appear in the assembly language file as comments starting with `;`. The C/C++ source code is not interlisted, unless you use the `--c_src_interlist` option also.

The interlist feature can affect optimized code because it might prevent some optimization from crossing C/C++ statement boundaries. Optimization makes normal source interlisting impractical, because the compiler extensively rearranges your program. Therefore, when you use the `--optimizer_interlist` option, the compiler writes reconstructed C/C++ statements.

Note

Impact on Performance and Code Size: The `--c_src_interlist` option can have a negative effect on performance and code size.

When you use the `--c_src_interlist` and `--optimizer_interlist` options with optimization, the compiler inserts its comments and the interlist feature runs before the assembler, merging the original C/C++ source into the assembly file.

For example, suppose the following C code is compiled with optimization (`--opt_level=2`) and `--optimizer_interlist` options:

```
int copy (char *str, const char *s, int n)
{
    int i;
    for (i = 0; i < n; i ++)
        *str++ = *s++;
}
```

The assembly file contains compiler comments interlisted with assembly code.

```
main:
;* -----*
SUB.W    #2, SP
;** 5    -----    printf((const unsigned char *) "Hello, world\n");
MOV.W    #0, r12    ; |5|
CALL    #printf    ; |5|
;* 6    -----    return 0;
MOV.W    #0, r12    ; |5|
ADD.W    #2, SP    ; |6|
RET
```

If you add the `--c_src_interlist` option (compile with `--opt_level=2`, `--c_src_interlist`, and `--optimizer_interlist`), the assembly file contains compiler comments and C source interlisted with assembly code.

```

main:
;*-----*
SUB.W    #2,SP
;** 5  ----- printf((const unsigned char *)"Hello, world\n");
;-----
; 5 | printf ("Hello, world\n");
;-----
MOV.W    #C$SSL1+0,0(SP)    ; |5|
CALL    #printf            ; |5|
;-----
;** 6  ----- return 0;
;-----
; 6 | return 0;
;-----
MOV.W    #0,r12            ; |6|
ADD.W    #2,SP
RET
    
```

3.12 Debugging Optimized Code

The compiler generates symbolic debugging information by default at all optimization levels. Generating debug information does not affect compiler optimization or generated code. However, higher levels of optimization negatively impact the debugging experience due to the code transformations that are done. For the best debugging experience use `--opt_level=off`.

The default optimization level is off.

Debug information increases the size of object files, but it does not affect the size of code or data on the target. If object file size is a concern and debugging is not needed, use `--symdebug:none` to disable the generation of debug information.

3.13 What Kind of Optimization Is Being Performed?

The MSP430 C/C++ compiler uses a variety of optimization techniques to improve the execution speed of your C/C++ programs and to reduce their size. Following are some of the optimizations performed by the compiler:

Optimization	See
Cost-based register allocation	Section 3.13.1
Alias disambiguation	Section 3.13.1
Branch optimizations and control-flow simplification	Section 3.13.3
Data flow optimizations	Section 3.13.4
<ul style="list-style-type: none"> • Copy propagation • Common subexpression elimination • Redundant assignment elimination 	
Expression simplification	Section 3.13.5
Inline expansion of functions	Section 3.13.6
Function Symbol Aliasing	Section 3.13.7
Induction variable optimizations and strength reduction	Section 3.13.8
Loop-invariant code motion	Section 3.13.9
Loop rotation	Section 3.13.10
Instruction scheduling	Section 3.13.11
MSP430-Specific Optimization	See
Tail merging	Section 3.13.12
Integer division with constant divisor	Section 3.13.13

3.13.1 Cost-Based Register Allocation

The compiler, when optimization is enabled, allocates registers to user variables and compiler temporary values according to their type, use, and frequency. Variables used within loops are weighted to have priority over others, and those variables whose uses do not overlap can be allocated to the same register.

Induction variable elimination and loop test replacement allow the compiler to recognize the loop as a simple counting loop and unroll or eliminate the loop. Strength reduction turns the array references into efficient pointer references with autoincrements.

3.13.2 Alias Disambiguation

C and C++ programs generally use many pointer variables. Frequently, compilers are unable to determine whether or not two or more l values (lowercase L: symbols, pointer references, or structure references) refer to the same memory location. This aliasing of memory locations often prevents the compiler from retaining values in registers because it cannot be sure that the register and memory continue to hold the same values over time.

Alias disambiguation is a technique that determines when two pointer expressions cannot point to the same location, allowing the compiler to freely optimize such expressions.

3.13.3 Branch Optimizations and Control-Flow Simplification

The compiler analyzes the branching behavior of a program and rearranges the linear sequences of operations (basic blocks) to remove branches or redundant conditions. Unreachable code is deleted, branches to branches are bypassed, and conditional branches over unconditional branches are simplified to a single conditional branch.

When the value of a condition is determined at compile time (through copy propagation or other data flow analysis), the compiler can delete a conditional branch. Switch case lists are analyzed in the same way as conditional branches and are sometimes eliminated entirely. Some simple control flow constructs are reduced to conditional instructions, totally eliminating the need for branches.

3.13.4 Data Flow Optimizations

Collectively, the following data flow optimizations replace expressions with less costly ones, detect and remove unnecessary assignments, and avoid operations that produce values that are already computed. The compiler with optimization enabled performs these data flow optimizations both locally (within basic blocks) and globally (across entire functions).

- **Copy propagation.** Following an assignment to a variable, the compiler replaces references to the variable with its value. The value can be another variable, a constant, or a common subexpression. This can result in increased opportunities for constant folding, common subexpression elimination, or even total elimination of the variable.
- **Common subexpression elimination.** When two or more expressions produce the same value, the compiler computes the value once, saves it, and reuses it.
- **Redundant assignment elimination.** Often, copy propagation and common subexpression elimination optimizations result in unnecessary assignments to variables (variables with no subsequent reference before another assignment or before the end of the function). The compiler removes these dead assignments.

3.13.5 Expression Simplification

For optimal evaluation, the compiler simplifies expressions into equivalent forms, requiring fewer instructions or registers. Operations between constants are folded into single constants. For example, $a = (b + 4) - (c + 1)$ becomes $a = b - c + 3$.

3.13.6 Inline Expansion of Functions

The compiler replaces calls to small functions with inline code, saving the overhead associated with a function call as well as providing increased opportunities to apply other optimizations. For information about interactions between command-line options, pragmas, and keywords that affect inlining, see [Section 2.11](#).

3.13.7 Function Symbol Aliasing

The compiler recognizes a function whose definition contains only a call to another function. If the two functions have the same signature (same return value and same number of parameters with the same type, in the same order), then the compiler can make the calling function an alias of the called function.

For example, consider the following:

```
int bbb(int arg1, char *arg2);
int aaa(int n, char *str)
{
    return bbb(n, str);
}
```

For this example, the compiler makes `aaa` an alias of `bbb`, so that at link time all calls to function `aaa` should be redirected to `bbb`. If the linker can successfully redirect all references to `aaa`, then the body of function `aaa` can be removed and the symbol `aaa` is defined at the same address as `bbb`.

For information about using the GCC function attribute syntax to declare function aliases, see [Section 5.16.2](#)

3.13.8 Induction Variables and Strength Reduction

Induction variables are variables whose value within a loop is directly related to the number of executions of the loop. Array indices and control variables for loops are often induction variables.

Strength reduction is the process of replacing inefficient expressions involving induction variables with more efficient expressions. For example, code that indexes into a sequence of array elements is replaced with code that increments a pointer through the array.

Induction variable analysis and strength reduction together often remove all references to your loop-control variable, allowing its elimination.

3.13.9 Loop-Invariant Code Motion

This optimization identifies expressions within loops that always compute to the same value. The computation is moved in front of the loop, and each occurrence of the expression in the loop is replaced by a reference to the precomputed value.

3.13.10 Loop Rotation

The compiler evaluates loop conditionals at the bottom of loops, saving an extra branch out of the loop. In many cases, the initial entry conditional check and the branch are optimized out.

3.13.11 Instruction Scheduling

The compiler performs instruction scheduling, which is the rearranging of machine instructions in such a way that improves performance while maintaining the semantics of the original order. Instruction scheduling is used to improve instruction parallelism and hide latencies. It can also be used to reduce code size.

3.13.12 Tail Merging

If you are optimizing for code size, tail merging can be very effective for some functions. Tail merging finds basic blocks that end in an identical sequence of instructions and have a common destination. If such a set of blocks is found, the sequence of identical instructions is made into its own block. These instructions are then removed from the set of blocks and replaced with branches to the newly created block. Thus, there is only one copy of the sequence of instructions, rather than one for each block in the set.

3.13.13 Integer Division With Constant Divisor

The optimizer attempts to rewrite integer divide operations with constant divisors. The integer divides are rewritten as a multiply with the reciprocal of the divisor. This occurs at optimization level 2 (`--opt_level=2` or `-O2`) and higher. You must also compile with the `--opt_for_speed` option, which selects compile for speed.

The C/C++ Code Generation Tools provide two methods for linking your programs:

- You can compile individual modules and link them together. This method is especially useful when you have multiple source files.
- You can compile and link in one step. This method is useful when you have a single source module.

This chapter describes how to invoke the linker with each method. It also discusses special requirements of linking C/C++ code, including the run-time-support libraries, specifying the type of initialization, and allocating the program into memory. For a complete description of the linker, see the *MSP430 Assembly Language Tools User's Guide*.

4.1 Invoking the Linker Through the Compiler (-z Option)	68
4.2 Linker Code Optimizations	70
4.3 Controlling the Linking Process	70

4.1 Invoking the Linker Through the Compiler (-z Option)

This section explains how to invoke the linker after you have compiled and assembled your programs: as a separate step or as part of the compile step.

4.1.1 Invoking the Linker Separately

This is the general syntax for linking C/C++ programs as a separate step:

```
cl430 --run_linker {--rom_model | --ram_model} filenames
      [options] [--output_file= name.out] --library= library [lnk.cmd]
```

cl430 --run_linker

The command that invokes the linker.

--rom_model | --ram_model

Options that tell the linker to use special conventions defined by the C/C++ environment. When you use `cl430 --run_linker` without listing any C/C++ files to be compiled on the command line, you *must* use **--rom_model** or **--ram_model** on the command line or in the linker command file. The **--rom_model** option uses automatic variable initialization at run time; the **--ram_model** option uses variable initialization at load time. See [Section 4.3.7](#) for details about using the **--rom_model** and **--ram_model** options. If you fail to specify the ROM or RAM model, you will see a linker warning that says:

```
warning: no suitable entry-point found; setting to 0
```

filenames

Names of object files, linker command files, or archive libraries. The default extensions for input files are `.c.obj` (for C source files) and `.cpp.obj` (for C++ source files). Any other extension must be explicitly specified. The linker can determine whether the input file is an object or ASCII file that contains linker commands. The default output filename is `a.out`, unless you use the **--output_file** option.

options

Options affect how the linker handles your object files. Linker options can only appear after the **--run_linker** option on the command line, but otherwise may be in any order. (Options are discussed in detail in the *MSP430 Assembly Language Tools User's Guide*.)

--output_file= name.out

Names the output file.

--library= library

Identifies the appropriate archive library containing C/C++ run-time-support and floating-point math functions, or linker command files. If you are linking C/C++ code, you must use a run-time-support library. You can use the libraries included with the compiler, or you can create your own run-time-support library. If you have specified a run-time-support library in a linker command file, you do not need this parameter. The **--library** option's short form is `-l`.

lnk.cmd

Contains options, filenames, directives, or commands for the linker.

Note

The default file extensions for object files created by the compiler have been changed. Object files generated from C source files have the `.c.obj` extension. Object files generated from C++ source files have the `.cpp.obj` extension.

When you specify a library as linker input, the linker includes and links only those library members that resolve undefined references. The linker uses a default allocation algorithm to allocate your program into memory. You can use the `MEMORY` and `SECTIONS` directives in the linker command file to customize the allocation process. For information, see the *MSP430 Assembly Language Tools User's Guide*.

You can link a C/C++ program consisting of object files `prog1.c.obj`, `prog2.c.obj`, and `prog3.cpp.obj`, with an executable object file filename of `prog.out` with the command:

```
cl430 --run_linker --rom_model prog1 prog2 prog3 --output_file=prog.out
      --library=rts430.lib
```

4.1.2 Invoking the Linker as Part of the Compile Step

This is the general syntax for linking C/C++ programs as part of the compile step:

```
cl430 filenames [options] --run_linker [--rom_model | --ram_model] filenames
      [options] [--output_file= name.out] --library= library [lnk.cmd]
```

The `--run_linker` option divides the command line into the compiler options (the options before `--run_linker`) and the linker options (the options following `--run_linker`). The `--run_linker` option must follow all source files and compiler options on the command line.

All arguments that follow `--run_linker` on the command line are passed to the linker. These arguments can be linker command files, additional object files, linker options, or libraries. These arguments are the same as described in [Section 4.1.1](#).

All arguments that precede `--run_linker` on the command line are compiler arguments. These arguments can be C/C++ source files, assembly files, or compiler options. These arguments are described in [Section 2.2](#).

You can compile and link a C/C++ program consisting of object files `prog1.c`, `prog2.c`, and `prog3.c`, with an executable object file filename of `prog.out` with the command:

```
cl430 prog1.c prog2.c prog3.c --run_linker --rom_model --output_file=prog.out --library=rts430.lib
```

When you use `cl430 --run_linker` *after* listing at least one C/C++ file to be compiled on the same command line, by default the `--rom_model` is used for automatic variable initialization at run time. See [Section 4.3.7](#) for details about using the `--rom_model` and `--ram_model` options.

Note

Order of Processing Arguments in the Linker

The order in which the linker processes arguments is important. The compiler passes arguments to the linker in the following order:

1. Object filenames from the command line
 2. Arguments following the `--run_linker` option on the command line
 3. Arguments following the `--run_linker` option from the `MSP430_C_OPTION` environment variable
-

4.1.3 Disabling the Linker (--compile_only Compiler Option)

You can override the `--run_linker` option by using the `--compile_only` compiler option. The `--run_linker` option's short form is `-z` and the `--compile_only` option's short form is `-c`.

The `--compile_only` option is especially helpful if you specify the `--run_linker` option in the `MSP430_C_OPTION` environment variable and want to selectively disable linking with the `--compile_only` option on the command line.

4.2 Linker Code Optimizations

4.2.1 Conditional Linking

With ELF conditional linking, all sections are considered eligible for removal through conditional linking, except the `.reset` section. Sections are not removed if they are referenced or if they are marked with the `.retain` directive.

A section that is never referenced by any other section in the program is removed from the program automatically, unless it is marked with `.retain` or is the `.reset` section. Conditional linking is disabled when performing a partial link or when relocation information is kept with the output of the link.

4.2.2 Generating Aggregate Data Subsections (`--gen_data_subsections` Compiler Option)

Similarly to code sections described in the previous section, data can either be placed in a single section or multiple sections. The benefit of multiple data sections is that the linker may omit unused data structures from the executable. This option causes aggregate data—arrays, structs, and unions—to be placed in separate subsections of the data section.

If this option is not used, the default is "on". If this option is used but neither "on" nor "off" is specified, an error message is provided.

4.3 Controlling the Linking Process

Regardless of the method you choose for invoking the linker, special requirements apply when linking C/C++ programs. You must:

- Include the compiler's run-time-support library
- Specify the type of boot-time initialization
- Determine how you want to allocate your program into memory

This section discusses how these factors are controlled and provides an example of the standard default linker command file. For more information about how to operate the linker, see the linker description in the *MSP430 Assembly Language Tools User's Guide*.

4.3.1 Including the Run-Time-Support Library

You must link all C/C++ programs with a run-time-support library. The library contains standard C/C++ functions as well as functions used by the compiler to manage the C/C++ environment. The following sections describe two methods for including the run-time-support library.

4.3.1.1 Automatic Run-Time-Support Library Selection

The linker assumes you are using the C and C++ conventions if either the `--rom_model` or `--ram_model` linker option is specified, or if at least one C/C++ file to compile is listed on the command line. See [Section 4.3.7](#) for details about using the `--rom_model` and `--ram_model` options.

If the linker assumes you are using the C and C++ conventions and the entry point for the program (normally `c_int00`) is not resolved by any specified object file or library, the linker attempts to automatically include the most compatible run-time-support library for your program. The run-time-support library chosen by the compiler is searched after any other libraries specified with the `--library` option on the command line or in the linker command file. If `libc.a` is explicitly used, the appropriate run-time-support library is included in the search order where `libc.a` is specified.

You can disable the automatic selection of a run-time-support library by using the `--disable_auto_rts` option.

If the `--issue_remarks` option is specified before the `--run_linker` option during the linker, a remark is generated indicating which run-time support library was linked in. If a different run-time-support library is desired than the one reported by `--issue_remarks`, you must specify the name of the desired run-time-support library using the `--library` option and in your linker command files when necessary.

Example 4-1. Using the `--issue_remarks` Option

```
cl430 --issue_remarks main.c --run_linker --rom_model
<Linking>
remark: linking in "libc.a"
remark: linking in "rts430.lib" in place of "libc.a"
```

4.3.1.2 Manual Run-Time-Support Library Selection

You can bypass automatic library selection by explicitly specifying the desired run-time-support library to use. Use the `--library` linker option to specify the name of the library. The linker will search the path specified by the `--search_path` option and then the `MSP430_C_DIR` environment variable for the named library. You can use the `--library` linker option on the command line or in a command file.

```
cl430 --run_linker {--rom_model | --ram_model} filenames --library= libraryname
```

4.3.1.3 Library Order for Searching for Symbols

Generally, you should specify the run-time-support library as the last name on the command line because the linker searches libraries for unresolved references in the order that files are specified on the command line. If any object files follow a library, references from those object files to that library are not resolved. You can use the `--reread_libs` option to force the linker to reread all libraries until references are resolved. Whenever you specify a library as linker input, the linker includes and links only those library members that resolve undefined references.

By default, if a library introduces an unresolved reference and multiple libraries have a definition for it, then the definition from the same library that introduced the unresolved reference is used. Use the `--priority` option if you want the linker to use the definition from the first library on the command line that contains the definition.

4.3.2 Run-Time Initialization

You must link all C/C++ programs with a **bootstrap routine**, which will initialize the C/C++ environment and begin the program. The bootstrap routine is responsible for the following tasks:

1. Set up the stack
2. Process the `.cinit` run-time initialization table to autoinitialize global variables (when using the `--rom_model` option)
3. Call all global constructors (`.init_array`) for C++
4. Call the `main()` function
5. Call `exit()` when `main()` returns

Note

The `_c_int00` Symbol

If you use the `--ram_model` or `--rom_model` link option, `_c_int00` is automatically defined as the entry point for the program. If your command line does not list any C/C++ files to compile and does not specify either the `--ram_model` or `--rom_model` link option, the linker does not know whether or not to use the C/C++ conventions, and you will receive a linker warning that says "warning: no suitable entry-point found; setting to 0". See [Section 4.3.7](#) for details about using the `--rom_model` and `--ram_model` options.

4.3.3 Initialization by the Interrupt Vector

If your C/C++ program begins running at RESET, you must set up the RESET vector to branch to a suitable bootstrap routine, such as `_c_int00`. You must also make sure the interrupt vectors are included in the project, typically by using the `--undef_sym` linker option to make a symbol at the start of the interrupt vector a root linker object. The `boot.c.obj` object in the run-time support library provides a section named `.reset` containing a reference to `_c_int00` which is suitable to place in the RESET vector in the linker command file.

4.3.4 Initialization of the FRAM Memory Protection Unit

The linker supports initialization of the FRAM memory protection unit (MPU). The linker uses a boot routine that performs MPU initialization based on the definition of certain symbols. The TI-provided linker command files that are used by default for different devices define the necessary symbols so MPU initialization happens automatically. Code and data sections are automatically given the correct access permissions. If you want to manually adjust how the MPU is initialized you can modify the `__mpuseg` and `__mpusam` definitions in the linker command file. The MPU-specific boot routine is used when these two symbols are defined and it sets the value of the MPUSEG and MPUSAM registers based on these values. If you do not want the MPU initialized you can remove these definitions from the linker command file.

4.3.5 Initialization of Cinit and Watchdog Timer Hold

You can use the `--cinit_hold_wdt` option to specify whether the watchdog timer should be held (on) or not held (off) during cinit auto-initialization. Setting this option causes an RTS auto-initialization routine to be linked in with the program to handle the desired watchdog timer behavior.

4.3.6 Global Object Constructors

Global C++ variables that have constructors and destructors require their constructors to be called during program initialization and their destructors to be called during program termination. The C++ compiler produces a table of constructors to be called at startup.

Constructors for global objects from a single module are invoked in the order declared in the source code, but the relative order of objects from different object files is unspecified.

Global constructors are called after initialization of other global variables and before the `main()` function is called. Global destructors are invoked during the exit run-time support function, similar to functions registered through `atexit`.

[Section 6.9.3.6](#) discusses the format of the global constructor table for EABI mode.

4.3.7 Specifying the Type of Global Variable Initialization

The C/C++ compiler produces data tables for initializing global variables. [Section 6.9.3.4](#) discusses the format of these initialization tables. The initialization tables are used in one of the following ways:

- Global variables are initialized at *run time*. Use the `--rom_model` linker option (see [Section 6.9.3.3](#)).
- Global variables are initialized at *load time*. Use the `--ram_model` linker option (see [Section 6.9.3.5](#)).

If you use the linker command line without compiling any C/C++ files, you must use either the `--rom_model` or `--ram_model` option. These options tell the linker two things. First, they indicate that the linker should follow C/C++ conventions, using the definition of `main()` to link in the `c_int00` boot routines. Second, they tell the linker whether to select initialization at run time or load time. If your command line fails to include one of these options when it is required, you will see "warning: no suitable entry-point found; setting to 0".

If you use a single command line to both compile and link, the `--rom_model` option is the default. If used, the `--rom_model` or `--ram_model` option must follow the `--run_linker` option (see [Section 4.1](#)).

For details on linking conventions for EABI with `--rom_model` and `--ram_model`, see [Section 6.9.3.3](#) and [Section 6.9.3.5](#), respectively.

Note

Boot Loader

A loader is not included as part of the C/C++ compiler tools. See the "Program Loading and Running" chapter of the *MSP430 Assembly Language Tools User's Guide* for more about boot loading.

4.3.8 Specifying Where to Allocate Sections in Memory

The compiler produces relocatable blocks of code and data. These blocks, called *sections*, are allocated in memory in a variety of ways to conform to a variety of system configurations. See [Section 6.1.4](#) for a complete description of how the compiler uses these sections.

The compiler creates two basic kinds of sections: initialized and uninitialized. [Table 4-1](#) summarizes the initialized sections. [Table 4-2](#) summarizes the uninitialized sections.

Table 4-1. Initialized Sections Created by the Compiler

Name	Contents
.binit	Boot time copy tables (See the <i>MSP430 Assembly Language Tools User's Guide</i> for information on BINIT in linker command files.)
.mspabi.exidx	Index table for exception handling; read-only (see --exceptions option).
.mspabi.exstab	Unwinding instructions for exception handling; read-only (see --exceptions option).
.data	Global and static non-const variables that are explicitly initialized.
.init_array	Table of constructors to be called at startup.
.name.load	Compressed image of section <i>name</i> ; read-only (See the <i>MSP430 Assembly Language Tools User's Guide</i> for information on copy tables.)
.ovly	Copy tables other than boot time (.binit) copy tables. Read-only data.
.rodata	Global and static variables that have const qualifiers.
.TI.crctab	Generated CRC checking tables. Read-only data.
.TI.noinit	The pragma NOINIT causes a non-initialized variable to be placed in the .TI.noinit section. The default linker command file places this section with .bss. See Section 5.11.21 for details about the NOINIT and PERSISTENT pragmas.
.TI.persistent	The pragma PERSISTENT causes an initialized variable to be placed in the .TI.persistent section. The default linker command file places this section with .data.

Table 4-2. Uninitialized Sections Created by the Compiler

Name	Contents
.args	Linker-created section used to pass arguments from the command line of the loader to the program
.bss	Uninitialized global and static variables
.cio	Buffers for stdio functions from the run-time support library
.stack	Function call frame stack
.systemem	Memory pool (heap) for dynamic memory allocation (malloc, etc)

When you link your program, you must specify where to allocate the sections in memory. In general, initialized sections are linked into ROM or RAM; uninitialized sections are linked into RAM.

The linker provides MEMORY and SECTIONS directives for allocating sections. For more information about allocating sections into memory, see the *MSP430 Assembly Language Tools User's Guide* .

4.3.9 A Sample Linker Command File

Linker Command File shows a typical linker command file that links a 32-bit C program. The command file in this example is named `lnk32.cmd` and lists several link options:

<code>--rom_model</code>	Tells the linker to use autoinitialization at run time
<code>--stack_size</code>	Tells the linker to set the C stack size at 0x140 bytes
<code>--heap_size</code>	Tells the linker to set the heap size to 0x120 bytes
<code>--library</code>	Tells the linker to use an archive library file, <code>rts430.lib</code>

To link the program, enter:

```
cl430 --run_linker object_file(s) --output_file= file --map_file= file lnk.cmd
```

Linker Command File

```
--rom_model
--stack_size=0x0140
--heap_size=0x120
--library=rts430.lib
/*****
/* SPECIFY THE SYSTEM MEMORY MAP
*****/
MEMORY
{
    SFR(R)           : origin = 0x0000, length = 0x0010
    PERIPHERALS_8BIT : origin = 0x0010, length = 0x00F0
    PERIPHERALS_16BIT : origin = 0x0100, length = 0x0100
    RAM(RW)          : origin = 0x0200, length = 0x0800
    INFOA            : origin = 0x1080, length = 0x0080
    INFOB            : origin = 0x1000, length = 0x0080
    FLASH            : origin = 0x1100, length = 0xEEE0
    VECTORS(R)       : origin = 0xFFE0, length = 0x001E
    RESET            : origin = 0xFFFE, length = 0x0002
}
/*****
/* SPECIFY THE SECTIONS ALLOCATION INTO MEMORY
*****/
SECTIONS
{
    .bss           : {} > RAM           /* UNINITIALIZED GLOBAL, STATIC */
    .systemem     : {} > RAM           /* DYNAMIC MEMORY ALLOCATION AREA */
    .stack        : {} > RAM           /* SOFTWARE SYSTEM STACK */
    .cio          : {} > RAM           /* C I/O BUFFER */
    .text         : {} > FLASH         /* PROGRAM CODE */
    .data         : {} > FLASH         /* INITIALIZED GLOBAL, STATIC */
    .const        : {} > FLASH         /* CONSTANT DATA */
    .args         : {} > FLASH         /* PROGRAM ARGUMENTS */
    .cinit        : {} > FLASH         /* GLOBAL INITIALIZATION DATA */
    .init_array   : {} > FLASH         /* EABI C++ GLOBAL CONSTRUCTOR TABLE */
    .mspabi.exidx : {} > FLASH         /* EABI TDEH METADATA */
    .mspabi.extab : {} > FLASH         /* EABI TDEH METADATA */
    .intvecs     : {} > VECTORS       /* INTERRUPT VECTORS */
    .reset       : > RESET
}
```

The C language supported by the MSP430 was developed by a committee of the American National Standards Institute (ANSI) and subsequently adopted by the International Standards Organization (ISO).

The C++ language supported by the MSP430 is defined by the ANSI/ISO/IEC 14882:2014 standard with certain exceptions.

5.1 Characteristics of MSP430 C	76
5.2 Characteristics of MSP430 C++	80
5.3 Using the ULP Advisor	81
5.4 Advice on Hardware Configuration	81
5.5 Data Types	82
5.6 File Encodings and Character Sets	84
5.7 Keywords	85
5.8 C++ Exception Handling	88
5.9 Register Variables and Parameters	88
5.10 The <code>__asm</code> Statement	89
5.11 Pragma Directives	90
5.12 The <code>_Pragma</code> Operator	107
5.13 Application Binary Interface	108
5.14 Object File Symbol Naming Conventions (Linknames)	108
5.15 Changing the ANSI/ISO C/C++ Language Mode	109
5.16 GNU and Clang Language Extensions	111
5.17 Compiler Limits	117

5.1 Characteristics of MSP430 C

The C compiler supports the 1989, 1999, and 2011 versions of the C language:

- **C89.** Compiling with the `--c89` option causes the compiler to conform to the ISO/IEC 9899:1990 C standard, which was previously ratified as ANSI X3.159-1989. The names "C89" and "C90" refer to the same programming language. "C89" is used in this document.
- **C99.** Compiling with the `--c99` option causes the compiler to conform to the ISO/IEC 9899:1999 C standard.
- **C11.** Compiling with the `--c11` option causes the compiler to conform to the ISO/IEC 9899:2011 C standard.

The C language is also described in the second edition of Kernighan and Ritchie's *The C Programming Language* (K&R). The compiler can also accept many of the language extensions found in the GNU C compiler (see [Section 5.16](#)).

The compiler supports some features of C99 and C11 in the default relaxed ANSI mode with C89 support. It supports all language features of C99 in C99 mode and all language features of C11 in C11 mode. See [Section 5.15](#).

The atomic operations in C11 are supported in the relaxed ANSI mode (on by default) and in C11 mode. An atomic operation is implemented by disabling interrupts across the operation.

The ANSI/ISO standard identifies some features of the C language that may be affected by characteristics of the target processor, run-time environment, or host environment. This set of features can differ among standard compilers.

Unsupported features of the C library are:

- The run-time library has minimal support for wide characters. The type `wchar_t` is implemented as unsigned int (16-bits). The wide character set is equivalent to the set of values of type `char`. The library includes the header files `<wchar.h>` and `<wctype.h>`, but does not include all the functions specified in the standard. See [Section 5.6](#) for information about extended and multibyte character sets.
- The run-time library includes the header file `<locale.h>`, but with a minimal implementation. The only supported locale is the C locale. That is, library behavior that is specified to vary by locale is hard-coded to the behavior of the C locale, and attempting to install a different locale by way of a call to `setlocale()` will return `NULL`.
- Some run-time functions and features in the C99/C11 specifications are not supported. See [Section 5.15](#).

5.1.1 Implementation-Defined Behavior

The C standard requires that conforming implementations provide documentation on how the compiler handles instances of implementation-defined behavior.

The TI compiler officially supports a freestanding environment. The C standard does not require a freestanding environment to supply every C feature; in particular the library need not be complete. However, the TI compiler strives to provide most features of a hosted environment.

The section numbers in the lists that follow correspond to section numbers in Appendix J of the C99 standard. The numbers in parentheses at the end of each item are sections in the C99 standard that discuss the topic. Certain items listed in Appendix J of the C99 standard have been omitted from this list.

J.3.1 Translation

- The compiler and related tools emit diagnostic messages with several distinct formats. Diagnostic messages are emitted to `stderr`; any text on `stderr` may be assumed to be a diagnostic. If any errors are present, the tool will exit with an exit status indicating failure (non-zero). (3.10, 5.1.1.3)
- Nonempty sequences of white-space characters are preserved and are not replaced by a single space character in translation phase 3. (5.1.1.2)

J.3.2 Environment

- The compiler does not support multibyte characters in identifiers, string literals, or character constants. There is no mapping from multibyte characters to the source character set. However, the compiler accepts multibyte characters in comments. See [Section 5.6](#) for details. (5.1.1.2)
- The name of the function called at program startup is "main" (5.1.2.1)
- Program termination does not affect the environment; there is no way to return an exit code to the environment. By default, the program is known to have halted when execution reaches the special C\$EXIT label. (5.1.2.1)
- In relaxed ANSI mode, the compiler accepts "void main(void)" and "void main(int argc, char *argv[])" as alternate definitions of main. The alternate definitions are rejected in strict ANSI mode. (5.1.2.2.1)
- If space is provided for program arguments at link time with the --args option and the program is run under a system that can populate the .args section (such as CCS), argv[0] will contain the filename of the executable, argv[1] through argv[argc-1] will contain the command-line arguments to the program, and argv[argc] will be NULL. Otherwise, the value of argv and argc are undefined. (5.1.2.2.1)
- Interactive devices include stdin, stdout, and stderr (when attached to a system that honors CIO requests). Interactive devices are not limited to those output locations; the program may access hardware peripherals that interact with the external state. (5.1.2.3)
- Signals are not supported. The function signal is not supported. (7.14) (7.14.1.1)
- The library function getenv is implemented through the CIO interface. If the program is run under a system that supports CIO, the system performs getenv calls on the host system and passes the result back to the program. Otherwise the operation of getenv is undefined. No method of changing the environment from inside the target program is provided. (7.20.4.5)
- The system function is not supported. (7.20.4.6).

J.3.3. Identifiers

- The compiler does not support multibyte characters in identifiers. See [Section 5.6](#) for details. (6.4.2)
- The number of significant initial characters in an identifier is unlimited. (5.2.4.1, 6.4.2)

J.3.4 Characters

- The number of bits in a byte (CHAR_BIT) is 8. See [Section 5.5](#) for details about data types. (3.6)
- The execution character set is the same as the basic execution character set: plain ASCII. (5.2.1)
- The values produced for the standard alphabetic escape sequences are as follows: (5.2.2)

Escape Sequence	ASCII Meaning	Integer Value
\a	BEL (bell)	7
\b	BS (backspace)	8
\f	FF (form feed)	12
\n	LF (line feed)	10
\r	CR (carriage return)	13
\t	HT (horizontal tab)	9
\v	VT (vertical tab)	11

- The value of a char object into which any character other than a member of the basic execution character set has been stored is the ASCII value of that character. (6.2.5)
- Plain char is identical to unsigned char, but can be changed to signed char with the --plain_char=signed option. (6.2.5, 6.3.1.1)
- The source character set and execution character set are both plain ASCII, so the mapping between them is one-to-one. The compiler accepts multibyte characters in comments. See [Section 5.6](#) for details. (6.4.4.4, 5.1.1.2)
- The compiler currently supports only one locale, "C". (6.4.4.4).

- The compiler currently supports only one locale, "C". (6.4.5).

J.3.5 Integers

- No extended integer types are provided. (6.2.5)
- Negative values for signed integer types are represented as two's complement, and there are no trap representations. (6.2.6.2)
- No extended integer types are provided, so there is no change to the integer ranks. (6.3.1.1)
- When an integer is converted to a signed integer type which cannot represent the value, the value is truncated (without raising a signal) by discarding the bits which cannot be stored in the destination type; the lowest bits are not modified. (6.3.1.3)
- Right shift of a signed integer value performs an arithmetic (signed) shift. The bitwise operations other than right shift operate on the bits in exactly the same way as on an unsigned value. That is, after the usual arithmetic conversions, the bitwise operation is performed without regard to the format of the integer type, in particular the sign bit. (6.5)

J.3.6 Floating point

- The accuracy of floating-point operations (+ - * /) is bit-exact. The accuracy of library functions that return floating-point results is not specified. (5.2.4.2.2)
- The compiler does not provide non-standard values for FLT_ROUNDS (5.2.4.2.2)
- The compiler does not provide non-standard negative values of FLT_EVAL_METHOD (5.2.4.2.2)
- The rounding direction when an integer is converted to a floating-point number is IEEE-754 "round to even". (6.3.1.4)
- The rounding direction when a floating-point number is converted to a narrower floating-point number is IEEE-754 "round to even". (6.3.1.5)
- For floating-point constants that are not exactly representable, the implementation uses the nearest representable value. (6.4.4.2)
- The compiler does not contract float expressions. (6.5)
- The default state for the FENV_ACCESS pragma is off. (7.6.1)
- The TI compiler does not define any additional float exceptions (7.6, 7.12)
- The default state for the FP_CONTRACT pragma is off. (7.12.2)
- The "inexact" floating-point exception cannot be raised if the rounded result equals the mathematical result. (F.9)
- The "underflow" and "inexact" floating-point exceptions cannot be raised if the result is tiny but not inexact. (F.9)

J.3.7 Arrays and pointers

- When converting a pointer to an integer or vice versa, the pointer is considered an unsigned integer of the same size, and the normal integer conversion rules apply. Some pointers are not the same size as any integral type, but the conversion proceeds as if such a type did exist, with the rules implied by normal integer conversion.
- When converting a pointer to an integer or vice versa, if the bitwise representation of the destination can hold all of the bits in the bitwise representation of the source, the bits are copied exactly. (6.3.2.3)
- The size of the result of subtracting two pointers to elements of the same array is the size of ptrdiff_t, which is defined in [Section 5.5](#). (6.5.6)

J.3.8 Hints

- When the optimizer is used, the register storage-class specifier is ignored. When the optimizer is not used, the compiler will preferentially place register storage class objects into registers to the extent possible. The compiler reserves the right to place any register storage class object somewhere other than a register. (6.7.1)
- The inline function specifier is ignored unless the optimizer is used. For other restrictions on inlining, see [Section 2.11.2](#). (6.7.4)

J.3.9 Structures, unions, enumerations, and bit-fields

- A "plain" int bit-field is treated as a signed int bit-field. (6.7.2, 6.7.2.1)
- In addition to `_Bool`, signed int, and unsigned int, the compiler allows char, signed char, unsigned char, signed short, unsigned short, signed long, unsigned long, signed long long, unsigned long long, and enum types as bit-field types. (6.7.2.1)
- Bit-fields may not straddle a storage-unit boundary. (6.7.2.1)
- Bit-fields are allocated in endianness order within a unit. (6.7.2.1)
- Non-bit-field members of structures are aligned as specified in [Section 6.2](#). (6.7.2.1)
- The integer type underlying each enumerated type is described in [Section 5.5.1](#). (6.7.2.2)

J.3.10 Qualifiers

- The TI compiler does not shrink or grow volatile accesses. It is the user's responsibility to make sure the access size is appropriate for devices that only tolerate accesses of certain widths. The TI compiler does not change the number of accesses to a volatile variable unless absolutely necessary. This is significant for read-modify-write expressions such as `+=`; for an architecture which does not have a corresponding read-modify-write instruction, the compiler will be forced to use two accesses, one for the read and one for the write. Even for architectures with such instructions, it is not guaranteed that the compiler will be able to map such expressions to an instruction with a single memory operand. It is not guaranteed that the memory system will lock that memory location for the duration of the instruction. In a multi-core system, some other core may write the location after a RMW instruction reads it, but before it writes the result. The TI compiler will not reorder two volatile accesses, but it may reorder a volatile and a non-volatile access, so volatile cannot be used to create a critical section. Use some sort of lock if you need to create a critical section. (6.7.3)

J.3.11 Preprocessing directives

- Include directives may have one of two forms, `" "` or `< >`. For both forms, the compiler will look for a real file on-disk by that name using the include file search path. See [Section 2.5.2](#). (6.4.7).
- The value of a character constant in a constant expression that controls conditional inclusion matches the value of the same character constant in the execution character set (both are ASCII). (6.10.1).
- The compiler uses the file search path to search for an included `< >` delimited header file. See [Section 2.5.2](#). (6.10.2).
- The compiler uses the file search path to search for an included `" "` delimited header file. See [Section 2.5.2](#). (6.10.2).
- There is no arbitrary nesting limit for `#include` processing. (6.10.2).
- See [Section 5.11](#) for a description of the recognized non-standard pragmas. (6.10.6).
- The date and time of translation are always available from the host. (6.10.8).

J.3.12 Library functions

- Almost all of the library functions required for a hosted implementation are provided by the TI library, with exceptions noted in [Section 5.15.1](#). (5.1.2.1).
- The format of the diagnostic printed by the `assert` macro is "Assertion failed, (*assertion macro argument*), file *file*, line *line*". (7.2.1.1).
- No strings other than "C" and "" may be passed as the second argument to the `setlocale` function (7.11.1.1).
- No signal handling is supported. (7.14.1.1).
- The `+INF`, `-INF`, `+inf`, `-inf`, `NAN`, and `nan` styles can be used to print an infinity or NaN. (7.19.6.1, 7.24.2.1).
- The output for `%p` conversion in the `fprintf` or `fwprintf` function is the same as `%x` of the appropriate size. (7.19.6.1, 7.24.2.1).
- The termination status returned to the host environment by the `abort`, `exit`, or `_Exit` function is not returned to the host environment. (7.20.4.1, 7.20.4.3, 7.20.4.4).
- The `system` function is not supported. (7.20.4.6).

J.3.13 Architecture

- The values or expressions assigned to the macros specified in the headers `float.h`, `limits.h`, and `stdint.h` are described along with the sizes and format of integer types are described in [Section 5.5](#). (5.2.4.2, 7.18.2, 7.18.3)
- The number, order, and encoding of bytes in any object are described in [Section 6.2.1](#). (6.2.6.1)
- The value of the result of the `sizeof` operator is the storage size for each type, in terms of bytes. See [Section 6.2](#). (6.5.3.4)

5.2 Characteristics of MSP430 C++

The MSP430 compiler supports C++ as defined in the ANSI/ISO/IEC 14882:2014 standard (C++14), including these features:

- Complete C++ standard library support, with exceptions noted below.
- Templates
- Exceptions, which are enabled with the `--exceptions` option; see [Section 5.8](#).
- Run-time type information (RTTI), which can be enabled with the `--rtti` compiler option.

The compiler supports the 2014 standard of C++ as standardized by the ISO. However, the following features are *not* implemented or fully supported:

- The compiler does not support embedded C++ run-time-support libraries.
- The library supports wide chars (`wchar_t`), in that template functions and classes that are defined for `char` are also available for `wchar_t`. For example, wide char stream classes `wios`, `wiostream`, `wstringstream` and so on (corresponding to `char` classes `ios`, `iostream`, `stringstream`) are implemented. However, there is no low-level file I/O for wide chars. Also, the C library interface to wide char support (through the C++ headers `<wchar>` and `<wctype>`) is limited as described above in the C library.
- The `reinterpret_cast` type does not allow casting a pointer-to-member of one class to a pointer-to-member of another class if the classes are unrelated.
- Constant expressions for target-specific types are only partially supported.
- New character types (introduced in the C++11 standard) are not supported.
- Unicode string literals (introduced in the C++11 standard) are not supported.
- Universal character names in literals (introduced in the C++11 standard) are not supported.
- Strong compare and exchange (introduced in the C++11 standard) are not supported.
- Bidirectional fences (introduced in the C++11 standard) are not supported.
- Memory model (introduced in the C++11 standard) is not supported.
- Propagating exceptions (introduced in the C++11 standard) is not supported.
- Thread-local storage (introduced in the C++11 standard) is not supported.
- Dynamic initialization and destruction with concurrency (introduced in the C++11 standard) is not supported.

The changes made in order to support C++14 may cause "undefined symbol" errors to occur if you link with a C++ object file or library that was compiled with an older version of the compiler. If such linktime errors occur, recompile your C++ code using the `--no_demangle` command-line option. If any undefined symbol names begin with `_Z` or `_ZVT`, recompile the entire application, including object files and libraries. If you do not have source code for the libraries, download a newly-compiled version of the library.

5.3 Using the ULP Advisor

You can get feedback about your code from the ULP (Ultra-Low Power) Advisor. For a list and descriptions of the ULP rules, see www.ti.com/ulpadvisor. You can enable/disable the rules using any of the following. Using multiple `--advice` options on the command line is permitted.

- The `--advice:power` option lets you specify which rules to check.
- The `--advice:power_severity` option lets you specify whether ULP Advisor rule violations are errors, warnings, remarks, or not reported.
- The `CHECK_ULP` pragma enables/disables ULP Advisor rules at the source level. This pragma has the same effect as using the `--advice:power` option. See [Section 5.11.3](#).
- The `RESET_ULP` pragma resets the specified ULP Advisor rules to their state before any `CHECK_ULP` pragmas were processed. See [Section 5.11.26](#).

The `--advice:power` option enables checking specified ULP Advisor rules. The syntax is:

```
--advice:power={all|none|rulespec}
```

The *rulespec* parameter is a comma-separated list of rule numbers to enable. For example, `--advice:power=1.1,7.2,7.3,7.4` enables rules 1.1, 7.2, 7.3, and 7.4.

The `--advice:power_severity` option sets the diagnostic severity for ULP Advisor rules. The syntax is:

```
--advice:power_severity={error|warning|remark|suppress}
```

The syntax of the pragmas is:

```
#pragma CHECK_ULP ("{all|none|rulespec}")
#pragma RESET_ULP ("{all|rulespec}")
```

5.4 Advice on Hardware Configuration

The `--advice:hw_config` option lets you enable, disable, or configure the checks to perform related to the device's configuration settings. For example, the FRAM waitstate configuration is checked. Information about resolving a device configuration issue can be found by clicking the link provided in Code Composer Studio when one of these checks produces a warning.

The syntax is:

```
--advice:hw_config={all|none|rulespec}
```

The *rulespec* parameter is a comma-separated list of rule numbers to enable.

5.5 Data Types

[Table 5-1](#) lists the size, representation, and range of each scalar data type for the MSP430 compiler. Many of the range values are available as standard macros in the header file `limits.h`.

The storage and alignment of data types is described in [Section 6.2](#).

Table 5-1. MSP430 C/C++ Data Types

Type	Size	Alignment	Representation	Range	
				Minimum	Maximum
signed char	8 bits	8	Binary	-128	127
char	8 bits	8	ASCII	0 or -128 ⁽¹⁾	255 or 127 ⁽¹⁾
unsigned char	8 bits	8	Binary	0	255
bool (C99)	8 bits	8	Binary	0 (false)	1 (true)
_Bool (C99)	8 bits	8	Binary	0 (false)	1 (true)
bool (C++)	8 bits	8	Binary	0 (false)	1 (true)
short, signed short	16 bits	16	Binary	-32 768	32 767
unsigned short	16 bits	16	Binary	0	65 535
int, signed int	16 bits	16	Binary	-32 768	32 767
unsigned int	16 bits	16	Binary	0	65 535
long, signed long	32 bits	16	Binary	-2 147 483 648	2 147 483 647
unsigned long	32 bits	16	Binary	0	4 294 967 295
long long, signed long long	64 bits	16	Binary	-9 223 372 036 854 775 808	9 223 372 036 854 775 807
unsigned long long	64 bits	16	Binary	0	18 446 744 073 709 551 615
enum	varies ⁽²⁾	16	Binary	varies	varies
float	32 bits	16	IEEE 32-bit	1.175 494e-38 ⁽³⁾	3.40 282 346e+38
double	64 bits	16	IEEE 64-bit	2.22 507 385e-308 ⁽³⁾	1.79 769 313e+308
long double	64 bits	16	IEEE 64-bit	2.22 507 385e-308 ⁽³⁾	1.79 769 313e+308
function and data pointers	varies (see Table 5-2)	16			

(1) "Plain" char has the same representation as either signed char or unsigned char. The `--plain_char` option specifies whether "plain" char is signed or unsigned. The default is unsigned.

(2) For details about the size of an enum type, see [Section 5.5.1](#).

(3) Figures are minimum precision.

The `char` type is unsigned by default. This is in contrast to the "signed char" and "unsigned char" types, which specify their sign behavior. You can change the default for the "char" type using the `--plain_char=signed` compiler option.

Negative values for signed types are represented using two's complement.

The additional types from C, C99 and C++ are defined as synonyms for standard types:

```
typedef unsigned int    wchar_t;
typedef unsigned int    wint_t;
```

MSP devices support multiple data and code memory models. The code and data model affects the size, alignment, and storage space used for function pointers, data pointers, the `size_t` type, and the `ptrdiff_t` type. Pointers with sizes that are not a power of 2 are always stored in a container with a size of a power of 2 bits. That is, 20-bit types are stored in 32 bits.

Table 5-2. Data Sizes for MSP430 Pointers

Code or Data Model	Type	Size	Storage	Alignment
small code model	function pointer	16	16	16
large code model	function pointer	20	32	16
small data model	data pointer	16	16	16
small data model	size_t	16	16	16
small data model	ptrdiff_t	16	16	16
restricted data model	data pointer	20	32	16
restricted data model	size_t	16	16	16
restricted data model	ptrdiff_t	16	16	16
large data model ⁽¹⁾	data pointer	20	32	16
large data model	size_t	32	32	16
large data model	ptrdiff_t	32	32	16

(1) MSP430X large-data model is specified by `--silicon_version=mspx --data_model=large`

5.5.1 Size of Enum Types

In the following declaration, `enum e` is an *enumerated type*. Each of `a` and `b` are *enumeration constants*.

```
enum e { a, b=N };
```

Each enumerated type is assigned an integer type that can hold all of the enumeration constants. This integer type is the "underlying type." The type of each enumeration constant is also an integer type, and in C might not be the same type. Be careful to note the difference between the *underlying type of an enumerated type* and the *type of an enumeration constant*.

The size and signedness chosen for the enumerated type and each enumeration constant depend on the values of the enumeration constants and whether you are compiling for C or C++. C++11 allows you to specify a specific type for an enumeration type; if such a type is provided, it will be used and the rest of this section does not apply.

In C++ mode, the compiler allows enumeration constants up to the largest integral type (64 bits). The C standard says that all enumeration constants in strictly conforming C code (C89/C99/C11) must have a value that fits into the type "int;" however, as an extension, you may use enumeration constants larger than "int" even in C mode.

You may control the strategy for picking enumerated types by using either the `--enum_type` command line option, or by using an attribute, or both. If you use the `--enum_type=packed` option, the compiler uses the smallest type it can for the enumerated type. If you use the `--enum_type=unpacked` option (the default), it will use the smallest type no smaller than "int." You can use the "packed" or "unpacked" attribute to set the strategy for a single enum type; this overrides the value of the command line option.

For example, this enumerated type will be of type unsigned char, even if `--enum_type=unpacked` is specified on the command line.

```
enum { a, b, c } __attribute__((packed));
```

This enumerated type will be of type unsigned int, even if `--enum_type=packed` is specified on the command line.

```
enum { a, b, c } __attribute__((unpacked));
```

You can use the packed/unpacked attribute on enumerated types in header files to ensure that an enumerated type is always the same size, even if the `--enum_type` option is changed on the command line.

For the enumerated type, the compiler selects the first type in the following list that is big enough and of the correct sign to represent all of the values of the enumeration constants. The "short" types are not used because they are the same size as the "int" type.

- unsigned char (only if `--enum_type=packed` is used)
- signed char (only if `--enum_type=packed` is used)
- unsigned int
- signed int
- unsigned long
- signed long
- unsigned long long
- signed long long

For example, by default (`--enum_type=unpacked`) this enumerated type will have "unsigned int" as its underlying type:

```
enum ui { a, b, c };
```

But this one will have "signed int" as its underlying type:

```
enum si { a, b, c, d = -1 };
```

And this one will have "signed long" as its underlying type:

```
enum sl { a, b, c, d = -1, e = UINT_MAX };
```

For C++, the enumeration constants are all of the same type as the enumerated type.

For C, the enumeration constants are assigned types depending on their value. All enumeration constants with values that can fit into "int" are given type "int," even if the underlying type of the enumerated type is smaller than "int." All enumeration constants that don't fit in an "int" are given the same type as the underlying type of the enumerated type. This means that some enumeration constants may have a different size and signedness than the enumeration type.

5.6 File Encodings and Character Sets

The compiler accepts source files with one of two distinct encodings:

- **UTF-8 with Byte Order Mark (BOM).** These files may contain extended (multibyte) characters in C/C++ comments. In all other contexts—including string constants, identifiers, assembly files, and linker command files—only 7-bit ASCII characters are supported.
- **Plain ASCII files.** These files must contain only 7-bit ASCII characters.

To choose the UTF-8 encoding in Code Composer Studio, open the Preferences dialog, select **General > Workspace**, and set the **Text File Encoding** to UTF-8.

If you use an editor that does not have a "plain ASCII" encoding mode, you can use Windows-1252 (also called CP-1252) or ISO-8859-1 (also called Latin 1), both of which accept all 7-bit ASCII characters. However, the compiler may not accept extended characters in these encodings, so you should not use extended characters, even in comments.

Wide character (`wchar_t`) types and operations are supported by the compiler. However, wide character strings may not contain characters beyond 7-bit ASCII. The encoding of wide characters is 7-bit ASCII, 0 extended to the width of the `wchar_t` type.

5.7 Keywords

The MSP430 C/C++ compiler supports all of the standard C89 keywords, including `const`, `volatile`, and `register`. It supports all of the standard C99 keywords, including `inline` and `restrict`. It supports all of the standard C11 keywords. It also supports TI extension keywords `__interrupt`, and `__asm`. Some keywords are not available in strict ANSI mode.

The following keywords may appear in other target documentation and require the same treatment as the `interrupt` and `restrict` keywords:

- `trap`
- `reentrant`
- `cregister`

5.7.1 The `const` Keyword

The C/C++ compiler supports the ANSI/ISO standard keyword `const` in all modes. This keyword gives you greater optimization and control over allocation for certain data objects. You can apply the `const` qualifier to the definition of any variable or array to ensure that its value is not altered.

Global objects qualified as `const` are placed in the `.const` section. The linker allocates the `.const` section from ROM or FLASH, which are typically more plentiful than RAM. The `const` data storage allocation rule has the following exceptions:

- If `volatile` is also specified in the object definition. For example, `volatile const int x`. Volatile keywords are assumed to be allocated to RAM. (The program is not allowed to modify a `const volatile` object, but something external to the program might.)
- If the object has automatic storage (function scope).
- If the object is a C++ object with a "mutable" member.
- If the object is initialized with a value that is not known at compile time (such as the value of another variable).

In these cases, the storage for the object is the same as if the `const` keyword were not used.

The placement of the `const` keyword is important. For example, the first statement below defines a constant pointer `p` to a modifiable `int`. The second statement defines a modifiable pointer `q` to a constant `int`:

```
int * const p = &x;
const int * q = &x;
```

Using the `const` keyword, you can define large constant tables and allocate them into system ROM. For example, to allocate a ROM table, you could use the following definition:

```
const int digits[] = {0,1,2,3,4,5,6,7,8,9};
```

5.7.2 The `__interrupt` Keyword

The compiler extends the C/C++ language by adding the `__interrupt` keyword, which specifies that a function is treated as an interrupt function. This keyword is an IRQ interrupt. The alternate keyword, "interrupt", may also be used except in strict ANSI C or C++ modes.

Note that the interrupt function attribute described in [Section 5.11.19](#) is the recommended syntax for declaring interrupt functions.

Functions that handle interrupts follow special register-saving rules and a special return sequence. The implementation stresses safety. The interrupt routine does not assume that the C run-time conventions for the various CPU register and status bits are in effect; instead, it re-establishes any values assumed by the run-time environment. When C/C++ code is interrupted, the interrupt routine must preserve the contents of all machine registers that are used by the routine or by any function called by the routine. When you use the `__interrupt`

keyword with the definition of the function, the compiler generates register saves based on the rules for interrupt functions and the special return sequence for interrupts.

You can only use the `__interrupt` keyword with a function that is defined to return void and that has no parameters. The body of the interrupt function can have local variables and is free to use the stack or global variables. For example:

```
__interrupt void int_handler()
{
    unsigned int flags;
    ...
}
```

The name `c_int00` is the C/C++ entry point. This name is reserved for the system reset interrupt. This special interrupt routine initializes the system and calls the `main()` function. Because it has no caller, `c_int00` does not save any registers.

Note

Hwi Objects and the `__interrupt` Keyword: The `__interrupt` keyword must not be used when SYS/BIOS Hwi objects are used in conjunction with C functions. The `Hwi_enter/Hwi_exit` macros and the Hwi dispatcher already contain this functionality, and the use of the `C` modifier can cause unwanted conflicts.

Note

Interrupt service routine (ISR) warning: The linker emits a warning for any device specific interrupts that do not have an associated interrupt service routine. However, a default vector handler is now provided by the run-time support (RTS) library, so you should not see this error if you are linking with the provided RTS library.

5.7.3 The restrict Keyword

To help the compiler determine memory dependencies, you can qualify a pointer, reference, or array with the `restrict` keyword. The `restrict` keyword is a type qualifier that can be applied to pointers, references, and arrays. Its use represents a guarantee by you, the programmer, that within the scope of the pointer declaration the object pointed to can be accessed only by that pointer. Any violation of this guarantee renders the program undefined. This practice helps the compiler optimize certain sections of code because aliasing information can be more easily determined.

The "restrict" keyword is a C99 keyword, and cannot be accepted in strict ANSI C89 mode. Use the "`__restrict`" keyword if the strict ANSI C89 mode must be used. See [Section 5.15](#).

The following example uses the `restrict` keyword to tell the compiler that the function `func1` is never called with the pointers `a` and `b` pointing to objects that overlap in memory. You are promising that accesses through `a` and `b` will never conflict; therefore, a write through one pointer cannot affect a read from any other pointers. The precise semantics of the `restrict` keyword are described in the 1999 version of the ANSI/ISO C Standard.

```
void func1(int * restrict a, int * restrict b)
{
    /* func1's code here */
}
```

The following example uses the `restrict` keyword when passing arrays to a function. Here, the arrays `c` and `d` must not overlap, nor may `c` and `d` point to the same array.

```
void func2(int c[restrict], int d[restrict])
{
    int i;
    for(i = 0; i < 64; i++)
    {
        c[i] += d[i];
        d[i] += 1;
    }
}
```

5.7.4 The volatile Keyword

The C/C++ compiler supports the *volatile* keyword in all modes. In addition, the `__volatile` keyword is supported in relaxed ANSI mode for C89, C99, C11, and C++.

The volatile keyword indicates to the compiler that there is something about how the variable is accessed that requires that the compiler not use overly-clever optimization on expressions involving that variable. For example, the variable may also be accessed by an external program, an interrupt, another thread, or a peripheral device.

The compiler eliminates redundant memory accesses whenever possible, using data flow analysis to figure out when it is legal. However, some memory accesses may be special in some way that the compiler cannot see, and in such cases you should use the volatile keyword to prevent the compiler from optimizing away something important. The compiler does not optimize out any accesses to variables declared volatile. The number of volatile reads and writes will be exactly as they appear in the C/C++ code, no more and no less and in the same order.

Any variable which might be modified by something external to the obvious control flow of the program (such as an interrupt service routine) must be declared volatile. This tells the compiler that an interrupt function might modify the value at any time, so the compiler should not perform optimizations which will change the number or order of accesses of that variable. This is the primary purpose of the volatile keyword. In the following example, the loop intends to wait for a location to be read as 0xFF:

```
unsigned int *ctrl;
while (*ctrl !=0xFF);
```

However, in this example, `*ctrl` is a loop-invariant expression, so the loop is optimized down to a single-memory read. To get the desired result, define `ctrl` as:

```
volatile unsigned int *ctrl;
```

Here the `*ctrl` pointer is intended to reference a hardware location, such as an interrupt flag.

The volatile keyword must also be used when accessing memory locations that represent memory-mapped peripheral devices. Such memory locations might change value in ways that the compiler cannot predict. These locations might change if accessed, or when some other memory location is accessed, or when some signal occurs.

Volatile must also be used for local variables in a function which calls `setjmp`, if the value of the local variables needs to remain valid if a `longjmp` occurs.

```
#include <stdlib.h>
jmp_buf context;
void function()
{
    volatile int x = 3;
    switch(setjmp(context))
    {
        case 0: setup(); break;
        default:
        {
            /* We only reach here if longjmp occurs. Because x's lifetime begins before setjmp
            and lasts through longjmp, the C standard requires x be declared "volatile". */
            printf("x == %d\n", x);
            break;
        }
    }
}
```

5.8 C++ Exception Handling

The compiler supports the C++ exception handling features defined by the ANSI/ISO 14882 C++ Standard. See *The C++ Programming Language, Third Edition* by Bjarne Stroustrup. The compiler's `--exceptions` option enables exception handling. The compiler's default is no exception handling support.

For exceptions to work correctly, all C++ files in the application must be compiled with the `--exceptions` option, regardless of whether exceptions occur in that file. Mixing exception-enabled and exception-disabled object files and libraries can lead to undefined behavior.

Exception handling requires support in the run-time-support library, which come in exception-enabled and exception-disabled forms; you must link with the correct form. When using automatic library selection (the default), the linker automatically selects the correct library [Section 4.3.1.1](#). If you select the library manually, you must use run-time-support libraries whose name contains `_eh` if you enable exceptions.

Using the `--exceptions` option causes the compiler to insert exception handling code. This code will increase the size of the program, but the EABI implementation requires smaller code size overhead by moving the information to const data sections.

See [Section 7.1](#) for details on the run-time libraries.

5.9 Register Variables and Parameters

The C/C++ compiler treats register variables (variables defined with the register keyword) differently, depending on whether you use the `--opt_level (-O)` option.

- **Compiling with optimization**

The compiler ignores any register definitions and allocates registers to variables and temporary values by using an algorithm that makes the most efficient use of registers.

- **Compiling without optimization**

If you use the register keyword, you can suggest variables as candidates for allocation into registers. The compiler uses the same set of registers for allocating temporary expression results as it uses for allocating register variables.

The compiler attempts to honor all register definitions. If the compiler runs out of appropriate registers, it frees a register by moving its contents to memory. If you define too many objects as register variables, you limit the number of registers the compiler has for temporary expression results. This limit causes excessive movement of register contents to memory.

Any object with a scalar type (integral, floating point, or pointer) can be defined as a register variable. The register designator is ignored for objects of other types, such as arrays.

The register storage class is meaningful for parameters as well as local variables. Normally, in a function, some of the parameters are copied to a location on the stack where they are referenced during the function body. The compiler copies a register parameter to a register instead of the stack, which speeds access to the parameter within the function.

For more information about register conventions, see [Section 6.3](#).

5.10 The `__asm` Statement

The C/C++ compiler can embed assembly language instructions or directives directly into the assembly language output of the compiler. This capability is an extension to the C/C++ language implemented through the `__asm` keyword. The `__asm` keyword provides access to hardware features that C/C++ cannot provide.

The alternate keyword, "asm", may also be used except in strict ANSI C mode. It is available in relaxed C and C++ modes.

Using `__asm` is syntactically performed as a call to a function named `__asm`, with one string constant argument:

```
__asm(" assembler text ");
```

The compiler copies the argument string directly into your output file. The assembler text must be enclosed in double quotes. All the usual character string escape codes retain their definitions. For example, you can insert a `.byte` directive that contains quotes as follows:

```
__asm("STR: .byte \"abc\"");
```

The *naked* function attribute can be used to identify functions that are written as embedded assembly functions using `__asm` statements. See [Section 5.16.2](#).

The inserted code must be a legal assembly language statement. Like all assembly language statements, the line of code inside the quotes must begin with a label, a blank, a tab, or a comment (asterisk or semicolon). The compiler performs no checking on the string; if there is an error, the assembler detects it. For more information about the assembly language statements, see the *MSP430 Assembly Language Tools User's Guide*.

The `__asm` statements do not follow the syntactic restrictions of normal C/C++ statements. Each can appear as a statement or a declaration, even outside of blocks. This is useful for inserting directives at the very beginning of a compiled module.

The `__asm` statement does not provide any way to refer to local variables. If your assembly code needs to refer to local variables, you will need to write the entire function in assembly code.

For more information, refer to [Section 6.6.5](#).

Note

Avoid Disrupting the C/C++ Environment With `asm` Statements

Be careful not to disrupt the C/C++ environment with `__asm` statements. The compiler does not check the inserted instructions. Inserting jumps and labels into C/C++ code can cause unpredictable results in variables manipulated in or around the inserted code. Directives that change sections or otherwise affect the assembly environment can also be troublesome.

Be especially careful when you use optimization with `__asm` statements. Although the compiler cannot remove `__asm` statements, it can significantly rearrange the code order near them and cause undesired results.

5.11 Pragma Directives

The following pragma directives tell the compiler how to treat a certain function, object, or section of code.

- `BIS_IE1_INTERRUPT` (See [Section 5.11.1](#))
- `CALLS` (See [Section 5.11.2](#))
- `CHECK_ULP` (See [Section 5.11.3](#))
- `CODE_ALIGN` (See [Section 5.11.4](#))
- `CODE_SECTION` (See [Section 5.11.5](#))
- `DATA_ALIGN` (See [Section 5.11.6](#))
- `DATA_SECTION` (See [Section 5.11.7](#))
- `diag_suppress`, `diag_remark`, `diag_warning`, `diag_error`, `diag_default`, `diag_push`, `diag_pop` (See [Section 5.11.8](#))
- `FORCEINLINE` (See [Section 5.11.9](#))
- `FORCEINLINE_RECURSIVE` (See [Section 5.11.10](#))
- `FUNC_ALWAYS_INLINE` (See [Section 5.11.11](#))
- `FUNC_CANNOT_INLINE` (See [Section 5.11.12](#))
- `FUNC_EXT_CALLED` (See [Section 5.11.13](#))
- `FUNC_IS_PURE` (See [Section 5.11.14](#))
- `FUNC_NEVER_RETURNS` (See [Section 5.11.15](#))
- `FUNC_NO_GLOBAL_ASG` (See [Section 5.11.16](#))
- `FUNC_NO_IND_ASG` (See [Section 5.11.17](#))
- `FUNCTION_OPTIONS` (See [Section 5.11.18](#))
- `INTERRUPT` (See [Section 5.11.19](#))
- `LOCATION` (See [Section 5.11.20](#))
- `NOINIT` (See [Section 5.11.21](#))
- `NOINLINE` (See [Section 5.11.22](#))
- `NO_HOOKS` (See [Section 5.11.23](#))
- `once` (See [Section 5.11.24](#))
- `pack` (See [Section 5.11.25](#))
- `PERSISTENT` (See [Section 5.11.21](#))
- `RESET_ULP` (See [Section 5.11.26](#))
- `RETAIN` (See [Section 5.11.27](#))
- `SET_CODE_SECTION` (See [Section 5.11.28](#))
- `SET_DATA_SECTION` (See [Section 5.11.28](#))
- `vector` (See [Section 5.11.29](#))
- `WEAK` (See [Section 5.11.30](#))

The arguments *func* and *symbol* cannot be defined or declared inside the body of a function. You must specify the pragma outside the body of a function; and the pragma specification must occur before any declaration, definition, or reference to the *func* or *symbol* argument. If you do not follow these rules, the compiler issues a warning and may ignore the pragma.

For pragmas that apply to functions or symbols, the syntax differs between C and C++.

- In C, you must supply the name of the object or function to which you are applying the pragma as the first argument. Because the entity operated on is specified, a pragma in C can appear some distance way from the definition of that entity.
- In C++, pragmas are positional. They do not name the entity on which they operate as an argument. Instead, they always operate on the next entity defined after the pragma.

5.11.1 The BIS_IE1_INTERRUPT

The `BIS_IE1_INTERRUPT` pragma treats the named function as an interrupt routine. Additionally, the compiler generates a BIS operation on the IE1 special function register upon function exit. The mask value, which must be an 8-bit constant literal, is logically ORed with the IE1 SFR, just before the RETI instruction. The compiler assumes the IE1 SFR is mapped to address 0x0000.

The syntax of the pragma in C is:

```
#pragma BIS_IE1_INTERRUPT ( func , mask )
```

The syntax of the pragma in C++ is:

```
#pragma BIS_IE1_INTERRUPT ( mask )
```

In C, the argument `func` is the name of the function that is an interrupt. In C++, the pragma applies to the next function declared.

5.11.2 The CALLS Pragma

The `CALLS` pragma specifies a set of functions that can be called indirectly from a specified calling function.

The `CALLS` pragma is used by the compiler to embed debug information about indirect calls in object files. Using the `CALLS` pragma on functions that make indirect calls enables such indirect calls to be included in calculations for such functions' inclusive stack sizes. For more information on generating function stack usage information, see the `-cg` option of the Object File Display Utility in the "Invoking the Object File Display Utility" section of the *MSP430 Assembly Language Tools User's Guide*.

The `CALLS` pragma can precede either the calling function's definition or its declaration. In C, the pragma must have at least 2 arguments—the first argument is the calling function, followed by at least one function that will be indirectly called from the calling function. In C++, the pragma applies to the next function declared or defined, and the pragma must have at least one argument.

The syntax for the `CALLS` pragma in C is as follows. This indicates that `calling_function` can indirectly call `function_1` through `function_n`.

```
#pragma CALLS ( calling_function, function_1, function_2, ..., function_n )
```

The syntax for the `CALLS` pragma in C++ is:

```
#pragma CALLS ( function_1_mangled_name, ..., function_n_mangled_name )
```

Note that in C++, the arguments to the `CALLS` pragma must be the full mangled names for the functions that can be indirectly called from the calling function.

The GCC-style "calls" function attribute (see [Section 5.16.2](#)), which has the same effect as the `CALLS` pragma, has the following syntax:

```
__attribute__((calls("function_1","function_2",..., "function_n")))
```

5.11.3 The CHECK_ULP Pragma

The `CHECK_ULP` pragma enables/disables ULP Advisor rules at the source level. This pragma has the same effect as using the `--advice:power` option.

The syntax of the pragma in C is:

```
#pragma CHECK_ULP (" {all|none|rulespec} ")
```

The `rulespec` parameter is a comma-separated list of rule numbers. See [Section 5.3](#) for the syntax. See www.ti.com/ulpadvisor for a list of rules.

The `RESET_ULP` pragma can be used to reset any `CHECK_ULP` pragmas; see [Section 5.11.26](#).

5.11.4 The `CODE_ALIGN` Pragma

The `CODE_ALIGN` pragma aligns *func* along the specified alignment. The alignment *constant* must be a power of 2. The `CODE_ALIGN` pragma is useful if you have functions that you want to start at a certain boundary.

The `CODE_ALIGN` pragma has the same effect as using the GCC-style `aligned` function attribute. See [Section 5.16.2](#).

The syntax of the pragma in C is:

```
#pragma CODE_ALIGN ( func , constant )
```

The syntax of the pragma in C++ is:

```
#pragma CODE_ALIGN ( constant )
```

5.11.5 The `CODE_SECTION` Pragma

The `CODE_SECTION` pragma allocates space for the *symbol* in C, or the next symbol declared in C++, in a section named *section name*. The `CODE_SECTION` pragma is useful if you have code objects that you want to link into an area separate from the `.text` section. The `CODE_SECTION` pragma has the same effect as using the GCC-style `section` function attribute. See [Section 5.16.2](#).

The syntax of the pragma in C is:

```
#pragma CODE_SECTION ( symbol , " section name "
```

The syntax of the pragma in C++ is:

```
#pragma CODE_SECTION (" section name ")
```

The following example demonstrates the use of the `CODE_SECTION` pragma.

Using the `CODE_SECTION` Pragma in C

```
#pragma CODE_SECTION(funcA,"codeA")
int funcA(int a)
{
    int i;
    return (i = a);
}
```

This example C code results in the following generated assembly code:

```

.sect "codeA"
.align 2
.global funcA
;*****
;* FUNCTION NAME: funcA
;*
;* Regs Modified      : SP,SR,r12
;* Regs Used          : SP,SR,r12
;* Local Frame Size   : 0 Args + 4 Auto + 0 Save = 4 byte
;*****
funcA:
;* -----*
SUB.W    #4,SP
MOV.W    r12,0(SP)          ; |4|
MOV.W    0(SP),2(SP)       ; |6|
MOV.W    2(SP),r12         ; |6|
ADD.W    #4,SP
RET

```

Using the `CODE_SECTION` Pragma in C++

```

#pragma CODE_SECTION("codeB")
int i_arg(int x) { return 1; }
int f_arg(float x) { return 2; }

```

This example C++ code results in the following generated assembly code:

```

.sect "codeB"
.align 2
.global i_arg__Fi
;*****
;* FUNCTION NAME: i_arg(int)
;*
;* Regs Modified      : SP,SR,r12
;* Regs Used          : SP,SR,r12
;* Local Frame Size   : 0 Args + 2 Auto + 0 Save = 2 byte
;*****
i_arg__Fi:
;* -----*
SUB.W    #2,SP
MOV.W    r12,0(SP)          ; |2|
MOV.W    #1,r12             ; |2|
ADD.W    #2,SP
RET
.sect ".text"
.align 2
.global f_arg__Ff
;*****
;* FUNCTION NAME: f_arg(float)
;*
;* Regs Modified      : SP,SR,r12
;* Regs Used          : SP,SR,r12,r13
;* Local Frame Size   : 0 Args + 4 Auto + 0 Save = 4 byte
;*****
f_arg__Ff:
;* -----*
SUB.W    #4,SP
MOV.W    r12,0(SP)          ; |3|
MOV.W    r13,2(SP)         ; |3|
MOV.W    #2,r12             ; |3|
ADD.W    #4,SP
RET

```

5.11.6 The DATA_ALIGN Pragma

The DATA_ALIGN pragma aligns the *symbol* in C, or the next symbol declared in C++, to an alignment boundary. The alignment boundary is the maximum of the symbol's default alignment value or the value of the *constant* in bytes. The constant must be a power of 2. The maximum alignment is 32768.

The DATA_ALIGN pragma cannot be used to reduce an object's natural alignment.

Using the DATA_ALIGN pragma has the same effect as using the GCC-style `aligned` variable attribute. See [Section 5.16.3](#).

The syntax of the pragma in C is:

```
#pragma DATA_ALIGN ( symbol , constant )
```

The syntax of the pragma in C++ is:

```
#pragma DATA_ALIGN ( constant )
```

5.11.7 The DATA_SECTION Pragma

The DATA_SECTION pragma allocates space for the *symbol* in C, or the next symbol declared in C++, in a section named *section name*. This pragma is useful if you have data objects that you want to link into an area separate from the .bss section.

Using the DATA_SECTION pragma has the same effect as using the GCC-style `section` variable attribute. See [Section 5.16.3](#).

The syntax of the pragma in C is:

```
#pragma DATA_SECTION ( symbol , " section name " )
```

The syntax of the pragma in C++ is:

```
#pragma DATA_SECTION (" section name " )
```

[Example 5-1](#) through [Example 5-3](#) demonstrate the use of the DATA_SECTION pragma.

Example 5-1. Using the DATA_SECTION Pragma C Source File

```
#pragma DATA_SECTION(bufferB, "my_sect")
char bufferA[512];
char bufferB[512];
```

Example 5-2. Using the DATA_SECTION Pragma C++ Source File

```
char bufferA[512];
#pragma DATA_SECTION("my_sect")
char bufferB[512];
```

Example 5-3. Using the DATA_SECTION Pragma Assembly Source File

```
.global bufferA
.bss bufferA,512,2
.global bufferB
bufferB: .usect "my_sect",512,2
```

5.11.8 The Diagnostic Message Pragmas

The following pragmas can be used to control diagnostic messages in the same ways as the corresponding command line options:

Pragma	Option	Description
diag_suppress <i>num</i>	-pds= <i>num</i> [, <i>num</i> ₂ , <i>num</i> ₃ ...]	Suppress diagnostic <i>num</i>
diag_remark <i>num</i>	-pdsr= <i>num</i> [, <i>num</i> ₂ , <i>num</i> ₃ ...]	Treat diagnostic <i>num</i> as a remark
diag_warning <i>num</i>	-pds= <i>num</i> [, <i>num</i> ₂ , <i>num</i> ₃ ...]	Treat diagnostic <i>num</i> as a warning
diag_error <i>num</i>	-pdse= <i>num</i> [, <i>num</i> ₂ , <i>num</i> ₃ ...]	Treat diagnostic <i>num</i> as an error
diag_default <i>num</i>	n/a	Use default severity of the diagnostic
diag_push	n/a	Push the current diagnostics severity state to store it for later use.
diag_pop	n/a	Pop the most recent diagnostic severity state stored with #pragma diag_push to be the current setting.

The syntax of the diag_suppress, diag_remark, diag_warning, and diag_error pragmas in C is:

```
#pragma diag_ xxx [=]num[, num2, num3...]
```

Notice that the names of these pragmas are in lowercase.

The diagnostic affected (*num*) is specified using either an error number or an error tag name. The equal sign (=) is optional. Any diagnostic can be overridden to be an error, but only diagnostic messages with a severity of discretionary error or below can have their severity reduced to a warning or below, or be suppressed. The diag_default pragma is used to return the severity of a diagnostic to the one that was in effect before any pragmas were issued (i.e., the normal severity of the message as modified by any command-line options).

The diagnostic identifier number is output with the message when you use the -pden command line option.

5.11.9 The FORCEINLINE Pragma

The FORCEINLINE pragma can be placed before a statement to force any function calls made in that statement to be inlined. It has no effect on other calls to the same functions.

The compiler only inlines a function if it is legal to inline the function. Functions are never inlined if the compiler is invoked with the --opt_level=off option. A function can be inlined even if the function is not declared with the inline keyword. A function can be inlined even if the compiler is not invoked with any --opt_level command-line option.

The syntax of the pragma in C/C++ is:

```
#pragma FORCEINLINE
```

For example, in the following example, the mytest() and getname() functions are inlined, but the error() function is not.

```
#pragma FORCEINLINE
if (!mytest(getname(myvar))) {
    error();
}
```

Placing the FORCEINLINE pragma before the call to error() would inline that function but not the others.

For information about interactions between command-line options, pragmas, and keywords that affect inlining, see [Section 2.11](#).

Notice that the FORCEINLINE, FORCEINLINE_RECURSIVE, and NOINLINE pragmas affect only the C/C++ statement that follows the pragma. The FUNC_ALWAYS_INLINE and FUNC_CANNOT_INLINE pragmas affect an entire function.

5.11.10 The FORCEINLINE_RECURSIVE Pragma

The FORCEINLINE_RECURSIVE can be placed before a statement to force any function calls made in that statement to be inlined along with any calls made from those functions. That is, calls that are not visible in the statement but are called as a result of the statement will be inlined.

The syntax of the pragma in C/C++ is:

```
#pragma FORCEINLINE_RECURSIVE
```

For information about interactions between command-line options, pragmas, and keywords that affect inlining, see [Section 2.11](#).

5.11.11 The FUNC_ALWAYS_INLINE Pragma

The FUNC_ALWAYS_INLINE pragma instructs the compiler to always inline the named function.

The compiler only inlines a function if it is legal to inline the function. Functions are never inlined if the compiler is invoked with the `--opt_level=off` option. A function can be inlined even if the function is not declared with the inline keyword. A function can be inlined even if the compiler is not invoked with any `--opt_level` command-line option. See [Section 2.11](#) for details about interaction between various types of inlining.

This pragma must appear before any declaration or reference to the function that you want to inline. In C, the argument *func* is the name of the function that will be inlined. In C++, the pragma applies to the next function declared.

This pragma can be used to force inlining at link time across C files.

The FUNC_ALWAYS_INLINE pragma has the same effect as using the GCC-style `always_inline` function attribute. See [Section 5.16.2](#).

The syntax of the pragma in C is:

```
#pragma FUNC_ALWAYS_INLINE ( func )
```

The syntax of the pragma in C++ is:

```
#pragma FUNC_ALWAYS_INLINE
```

The following example uses this pragma:

```
#pragma FUNC_ALWAYS_INLINE(functionThatMustGetInlined)
static inline void functionThatMustGetInlined(void) {
    P1OUT |= 0x01;
    P1OUT &= ~0x01;
}
```

Note

Use Caution with the FUNC_ALWAYS_INLINE Pragma

The FUNC_ALWAYS_INLINE pragma overrides the compiler's inlining decisions. Overuse of this pragma could result in increased compilation times or memory usage, potentially enough to consume all available memory and result in compilation tool failures.

5.11.12 The FUNC_CANNOT_INLINE Pragma

The FUNC_CANNOT_INLINE pragma instructs the compiler that the named function cannot be expanded inline. Any function named with this pragma overrides any inlining you designate in any other way, such as using the inline keyword. Automatic inlining is also overridden with this pragma; see [Section 2.11](#).

The pragma must appear before any declaration or reference to the function that you want to keep. In C, the argument *func* is the name of the function that cannot be inlined. In C++, the pragma applies to the next function declared.

The FUNC_CANNOT_INLINE pragma has the same effect as using the GCC-style `noinline` function attribute. See [Section 5.16.2](#).

The syntax of the pragma in C is:

```
#pragma FUNC_CANNOT_INLINE ( func )
```

The syntax of the pragma in C++ is:

```
#pragma FUNC_CANNOT_INLINE
```

5.11.13 The FUNC_EXT_CALLED Pragma

When you use the `--program_level_compile` option, the compiler uses program-level optimization. When you use this type of optimization, the compiler removes any function that is not called, directly or indirectly, by `main()`. You might have C/C++ functions that are called instead of `main()`.

The FUNC_EXT_CALLED pragma specifies that the optimizer should keep these C functions or any functions these C/C++ functions call. These functions act as entry points into C/C++. The pragma must appear before any declaration or reference to the function to keep. In C, the argument *func* is the name of the function to keep. In C++, the pragma applies to the next function declared.

The syntax of the pragma in C is:

```
#pragma FUNC_EXT_CALLED ( func )
```

The syntax of the pragma in C++ is:

```
#pragma FUNC_EXT_CALLED
```

Except for `_c_int00`, which is the name reserved for the system reset interrupt for C/C++ programs, the name of the interrupt (the *func* argument) does not need to conform to a naming convention.

When you use program-level optimization, you may need to use the FUNC_EXT_CALLED pragma with certain options. See [Section 3.4.2](#).

5.11.14 The FUNC_IS_PURE Pragma

The FUNC_IS_PURE pragma specifies to the compiler that the named function has no side effects. This allows the compiler to do the following:

- Delete the call to the function if the function's value is not needed
- Delete duplicate functions

The pragma must appear before any declaration or reference to the function. In C, the argument *func* is the name of a function. In C++, the pragma applies to the next function declared.

The syntax of the pragma in C is:

```
#pragma FUNC_IS_PURE ( func )
```

The syntax of the pragma in C++ is:

```
#pragma FUNC_IS_PURE
```

5.11.15 The FUNC_NEVER_RETURNS Pragma

The FUNC_NEVER_RETURNS pragma specifies to the compiler that the function never returns to its caller.

The pragma must appear before any declaration or reference to the function that you want to keep. In C, the argument *func* is the name of the function that does not return. In C++, the pragma applies to the next function declared.

The syntax of the pragma in C is:

```
#pragma FUNC_NEVER_RETURNS ( func )
```

The syntax of the pragma in C++ is:

```
#pragma FUNC_NEVER_RETURNS
```

5.11.16 The FUNC_NO_GLOBAL_ASG Pragma

The FUNC_NO_GLOBAL_ASG pragma specifies to the compiler that the function makes no assignments to named global variables and contains no asm statements.

The pragma must appear before any declaration or reference to the function that you want to keep. In C, the argument *func* is the name of the function that makes no assignments. In C++, the pragma applies to the next function declared.

The syntax of the pragma in C is:

```
#pragma FUNC_NO_GLOBAL_ASG ( func )
```

The syntax of the pragma in C++ is:

```
#pragma FUNC_NO_GLOBAL_ASG
```

5.11.17 The FUNC_NO_IND_ASG Pragma

The FUNC_NO_IND_ASG pragma specifies to the compiler that the function makes no assignments through pointers and contains no asm statements.

The pragma must appear before any declaration or reference to the function that you want to keep. In C, the argument *func* is the name of the function that makes no assignments. In C++, the pragma applies to the next function declared.

The syntax of the pragma in C is:

```
#pragma FUNC_NO_IND_ASG ( func )
```

The syntax of the pragma in C++ is:

```
#pragma FUNC_NO_IND_ASG
```

5.11.18 The FUNCTION_OPTIONS Pragma

The FUNCTION_OPTIONS pragma allows you to compile a specific function in a C or C++ file with additional command-line compiler options. The affected function will be compiled as if the specified list of options appeared on the command line after all other compiler options. In C, the pragma is applied to the function specified. In C++, the pragma is applied to the next function.

The syntax of the pragma in C is:

```
#pragma FUNCTION_OPTIONS ( func , " additional options " )
```

The syntax of the pragma in C++ is:

```
#pragma FUNCTION_OPTIONS( " additional options " )
```

Supported options for this pragma are --opt_level, --auto_inline, --code_state, and --opt_for_speed.

In order to use --opt_level and --auto_inline with the FUNCTION_OPTIONS pragma, the compiler must be invoked with some optimization level (that is, at least --opt_level=0). The FUNCTION_OPTIONS pragma is ignored if --opt_level=off. The FUNCTION_OPTIONS pragma cannot be used to completely disable the optimizer for the compilation of a function; the lowest optimization level that can be specified is --opt_level=0.

5.11.19 The INTERRUPT Pragma

The INTERRUPT pragma enables you to handle interrupts directly with C code. In C, the argument *func* is the name of a function. In C++, the pragma applies to the next function declared.

The syntax of the pragma in C is:

```
#pragma INTERRUPT ( func )
```

The syntax of the pragma in C++ is:

```
#pragma INTERRUPT  
void func ( void )
```

The GCC interrupt attribute syntax, which has the same effects as the INTERRUPT pragma, is as follows. Note that the interrupt attribute can precede either the function's definition or its declaration.

```
__attribute__((interrupt )) void func ( void )
```

The return address of the interrupt function is placed on the stack.

The interrupt attribute syntax allows you to optionally specify a numeric argument that indicates the vector location as specified for the [vector pragma](#). For example:

```
#define TIMER_A0 20  
#define TIMER_A1 10  
__attribute__((interrupt(TIMER_A0))) void foo1()    {  
    int i;  
    for (i=1; i < 1000; i++)  
        global_ptr[i] = i;  
}
```

```
#pragma INTERRUPT ( func , {HPI|LPI} )
```

```
#pragma INTERRUPT ( {HPI|LPI} )
```

Note

Hwi Objects and the INTERRUPT Pragma: The INTERRUPT pragma must not be used when SYS/BIOS Hwi objects are used in conjunction with C functions. The Hwi_enter/Hwi_exit macros and the Hwi dispatcher contain this functionality, and the use of the C modifier can cause negative results.

Note

Interrupt service routine (ISR) warning

The linker emits a warning for any device-specific interrupts with no associated interrupt service routine. However, a default vector handler is provided by the run-time support (RTS) library, so you should not see this error if you are linking with the provided RTS library.

5.11.20 The LOCATION Pragma

The compiler supports the ability to specify the run-time address of a variable at the source level. This can be accomplished with the LOCATION pragma or the GCC-style location attribute. The LOCATION pragma has the same effect as using the GCC-style `location` function attribute. See [Section 5.16.2](#).

The syntax of the pragma in C is:

```
#pragma LOCATION( x , address )
int x
```

The syntax of the pragmas in C++ is:

```
#pragma LOCATION( address )
int x
```

The syntax of the pragma for IAR is:

```
#pragma location= address
int x
```

The syntax of the GCC-style attribute (see [Section 5.16.3](#)) is:

```
int x __attribute__((location( address )))
```

The NOINIT pragma may be used in conjunction with the LOCATION pragma to map variables to special memory locations; see [Section 5.11.21](#).

5.11.21 The NOINIT and PERSISTENT Pragmas

Global and static variables are zero-initialized by default. However, in applications that use non-volatile memory, it may be desirable to have variables that are not initialized. Noinit variables are global or static variables that are not zero-initialized at startup or reset.

Variables can be declared as noinit or persistent using either pragmas or variable attributes. See [Section 5.16.3](#) for information about using variable attributes in declarations.

Noinit and persistent variables behave identically with the exception of whether or not they are initialized at load time.

- The NOINIT pragma may be used only with uninitialized variables. It prevents such variables from being set to 0 during a reset. It may be used in conjunction with the LOCATION pragma to map variables to special memory locations, like memory-mapped registers, without generating unwanted writes.
- The PERSISTENT pragma may be used only with statically-initialized variables. It prevents such variables from being initialized during a reset. Persistent variables disable startup initialization; they are given an initial value when the code is loaded, but are never again initialized.

By default, noinit or persistent variables are placed in sections named `.TI.noinit` and `.TI.persistent`, respectively. The location of these sections is controlled by the linker command file. Typically `.TI.persistent` sections are placed in FRAM for devices that support FRAM and `.TI.noinit` sections are placed in RAM.

Note

When using these pragmas in non-volatile FRAM memory, the memory region could be protected against unintended writes through the device's Memory Protection Unit. Some devices have memory protection enabled by default. Please see the information about memory protection in the datasheet for your device. If the Memory Protection Unit is enabled, it first needs to be disabled before modifying the variables.

If you are using non-volatile RAM, you can define a persistent variable with an initial value of zero loaded into RAM. The program can increment that variable over time as a counter, and that count will not disappear if the device loses power and restarts, because the memory is non-volatile and the boot routines do not initialize it back to zero. For example:

```
#pragma PERSISTENT(x)
#pragma location = 0xC200 // memory address in RAM
int x = 0;
void main() {
    run_init();
    while (1) {
        run_actions(x);
        __delay_cycles(1000000);
        x++;
    }
}
```

The syntax of the pragmas in C is:

```
#pragma NOINIT ( x )
```

```
int x ;
```

```
#pragma PERSISTENT ( x )
```

```
int x =10;
```

The syntax of the pragmas in C++ is:

```
#pragma NOINIT
```

```
int x ;
```

```
#pragma PERSISTENT
```

```
int x =10;
```

The syntax of the GCC attributes is:

```
int x __attribute__((noinit));
```

```
int x __attribute__((persistent)) = 0;
```

5.11.22 The NOINLINE Pragma

The NOINLINE pragma can be placed before a statement to prevent any function calls made in that statement from being inlined. It has no effect on other calls to the same functions.

The syntax of the pragma in C/C++ is:

```
#pragma NOINLINE
```

For information about interactions between command-line options, pragmas, and keywords that affect inlining, see [Section 2.11](#).

5.11.23 The NO_HOOKS Pragma

The NO_HOOKS pragma prevents entry and exit hook calls from being generated for a function.

The syntax of the pragma in C is:

```
#pragma NO_HOOKS ( func )
```

The syntax of the pragma in C++ is:

```
#pragma NO_HOOKS
```

See [Section 2.14](#) for details on entry and exit hooks.

5.11.24 The once Pragma

The once pragma tells the C preprocessor to ignore a #include directive if that header file has already been included. For example, this pragma may be used if header files contain definitions, such as struct definitions, that would cause a compilation error if they were executed more than once.

This pragma should be used at the beginning of a header file that should only be included once. For example:

```
// hdr.h
#pragma once
#warn You will only see this message one time
struct foo
{
    int member;
};
```

This pragma is not part of the C or C++ standard, but it is a widely-supported preprocessor directive. Note that this pragma does not protect against the inclusion of a header file with the same contents that has been copied to another directory.

5.11.25 The pack Pragma

The pack pragma can be used to control the alignment of fields within a class, struct, or union type. The syntax of the pragma in C/C++ can be any of the following.

```
#pragma pack ( n )
```

The above form of the pack pragma affects all class, struct, or union type declarations that follow this pragma in a file. It forces the maximum alignment of each field to be the value specified by *n*. Valid values for *n* are 1, 2, 4, 8, and 16 bytes.

```
#pragma pack ( push, n )
```

```
#pragma pack ( pop )
```

The above form of the pack pragma affects only class, struct, and union type declarations between push and pop directives. (A pop directive with no prior push results in a warning diagnostic from the compiler.) The maximum alignment of all fields declared is *n*. Valid values for *n* are 1, 2, 4, 8, and 16 bytes.

```
#pragma pack ( show )
```

The above form of the pack pragma sends a warning diagnostic to stderr to record the current state of the pack pragma stack. You can use this form while debugging.

For more about packed fields, see [Section 5.16.4](#).

5.11.26 The RESET_ULP Pragma

The RESET_ULP pragma resets the specified ULP Advisor rules to the state they were before any CHECK_ULP pragmas (see [Section 5.11.3](#)) were processed. For instance, if a rule was enabled on the command line but disabled in the source, the RESET_ULP pragma resets it to enabled. This pragma accepts the same format as the --advise:power option, except for the "none" keyword.

The syntax of the pragma in C is:

```
#pragma RESET_ULP (" {all|rulespec} ")
```

The *rulespec* parameter is a comma-separated list of rule numbers. See [Section 5.3](#) for details. See www.ti.com/ulpadvisor for a list of rules.

5.11.27 The RETAIN Pragma

The RETAIN pragma can be applied to a code or data symbol.

It causes a .retain directive to be generated into the section that contains the definition of the symbol. The .retain directive indicates to the linker that the section is ineligible for removal during conditional linking. Therefore, regardless whether or not the section is referenced by another section in the application that is being compiled and linked, it will be included in the output file result of the link.

The RETAIN pragma has the same effect as using the `retain` function or variable attribute. See [Section 5.16.2](#) and [Section 5.16.3](#), respectively.

The syntax of the pragma in C is:

```
#pragma RETAIN ( symbol )
```

The syntax of the pragma in C++ is:

```
#pragma RETAIN
```


5.11.28 The SET_CODE_SECTION and SET_DATA_SECTION Pragmas

These pragmas can be used to set the section for all declarations below the pragma.

The syntax of the pragmas in C/C++ is:

```
#pragma SET_CODE_SECTION (" section name ")
```

```
#pragma SET_DATA_SECTION (" section name ")
```

In [Setting Section With SET_DATA_SECTION Pragma](#) x and y are put in the section mydata. To reset the current section to the default used by the compiler, a blank parameter should be passed to the pragma. An easy way to think of the pragma is that it is like applying the CODE_SECTION or DATA_SECTION pragma to all symbols below it.

Setting Section With SET_DATA_SECTION Pragma

```
#pragma SET_DATA_SECTION("mydata")
int x;
int y;
#pragma SET_DATA_SECTION()
```

The pragmas apply to both declarations and definitions. If applied to a declaration and not the definition, the pragma that is active at the declaration is used to set the section for that symbol. Here is an example:

Setting a Section With SET_CODE_SECTION Pragma

```
#pragma SET_CODE_SECTION("func1")
extern void func1();
#pragma SET_CODE_SECTION()
...
void func1() { ... }
```

In [Setting a Section With SET_CODE_SECTION Pragma](#) func1 is placed in section func1. If conflicting sections are specified at the declaration and definition, a diagnostic is issued.

The current CODE_SECTION and DATA_SECTION pragmas and GCC attributes can be used to override the SET_CODE_SECTION and SET_DATA_SECTION pragmas. For example:

Overriding SET_DATA_SECTION Setting

```
#pragma DATA_SECTION(x, "x_data")
#pragma SET_DATA_SECTION("mydata")
int x;
int y;
#pragma SET_DATA_SECTION()
```

In [Overriding SET_DATA_SECTION Setting](#) x is placed in x_data and y is placed in mydata. No diagnostic is issued for this case.

The pragmas work for both C and C++. In C++, the pragmas are ignored for templates and for implicitly created objects, such as implicit constructors and virtual function tables.

5.11.29 The vector Pragma

The vector pragma indicates that the function that follows is to be used as the interrupt vector routine for the listed vectors. The syntax of the pragma is:

```
#pragma vector = vec1[, vec2 , vec3, ...]
```

The vector pragma requires linker command file support. The command file must specify output sections for each interrupt vector of the form `.intxx` where `xx` is the number of the interrupt vector. The output sections must map to the physical memory location of the appropriate interrupt vector. The standard linker command files are set up to handle the vector pragma. See [Section 6.7.4](#).

If you do not specify an ISR routine for some interrupt vectors, an ISR routine will be provided for those vectors from the RTS library and the RTS library will automatically be linked with your application. The default ISR routine puts the device in low power mode. You can override the ISR provided by the RTS with the `unused_interrupts` keyword as follows:

```
#pragma vector=unused_interrupts
interrupt void user_trap_function(void)
{
    // code for handling all interrupts that do not have
    // specific ISRs
}
```

The `__even_in_range` intrinsic provides a hint to the compiler when generating switch statements for interrupt vector routines. The intrinsic is usually used as follows:

```
switch (__even_in_range( x , NUM ))
{
    ...
}
```

The `__even_in_range` intrinsic returns the value `x` to control the switch statement, but also tells the compiler that `x` must be an even value in the range of 0 to `NUM`, inclusive.

Note

Interrupt service routine (ISR) warning

The linker emits a warning for any device-specific interrupts that do not have an associated interrupt service routine. However, a default vector handler is now provided by the run-time support (RTS) library, so you should not see this error if you are linking with the provided RTS library.

For more details, see the *MSP430 Assembly Language Tools User's Guide* section for the `.intvec` directive.

5.11.30 The WEAK Pragma

The WEAK pragma gives weak binding to a symbol.

The syntax of the pragma in C is:

```
#pragma WEAK ( symbol )
```

The syntax of the pragma in C++ is:

```
#pragma WEAK
```

The WEAK pragma makes `symbol` a weak reference if it is a reference, or a weak definition, if it is a definition. The symbol can be a data or function variable. In effect, unresolved weak *references* do not cause linker errors and do not have any effect at run time. The following apply for weak references:

- Libraries are not searched to resolve weak references. It is not an error for a weak reference to remain unresolved.
- During linking, the value of an undefined weak reference is:
 - Zero if the relocation type is absolute
 - The address of the place if the relocation type is PC-relative
 - The address of the nominal base address if the relocation type is base-relative.

A weak *definition* does not change the rules by which object files are selected from libraries. However, if a link set contains both a weak definition and a non-weak definition, the non-weak definition is always used.

The WEAK pragma has the same effect as using the `weak` function or variable attribute. See [Section 5.16.2](#) and [Section 5.16.3](#), respectively.

5.12 The `_Pragma` Operator

The MSP430 C/C++ compiler supports the C99 preprocessor `_Pragma()` operator. This preprocessor operator is similar to `#pragma` directives. However, `_Pragma` can be used in preprocessing macros (`#defines`).

The syntax of the operator is:

```
_Pragma (" string_literal ");
```

The argument *string_literal* is interpreted in the same way the tokens following a `#pragma` directive are processed. The *string_literal* must be enclosed in quotes. A quotation mark that is part of the *string_literal* must be preceded by a backward slash.

You can use the `_Pragma` operator to express `#pragma` directives in macros. For example, the `DATA_SECTION` syntax:

```
#pragma DATA_SECTION( func ," section ")
```

Is represented by the `_Pragma()` operator syntax:

```
_Pragma ("DATA_SECTION( func ,\" section \")")
```

The following code illustrates using `_Pragma` to specify the `DATA_SECTION` pragma in a macro:

```
...
#define EMIT_PRAGMA(x) _Pragma(#x)
#define COLLECT_DATA(var) EMIT_PRAGMA(DATA_SECTION(var,"mysection"))
COLLECT_DATA(x)
int x;
...

```

The `EMIT_PRAGMA` macro is needed to properly expand the quotes that are required to surround the section argument to the `DATA_SECTION` pragma.

5.13 Application Binary Interface

An Application Binary Interface (ABI) defines how functions that are compiled or assembled separately (possibly by compilers from different vendors) can work together. This involves standardizing the data type representation, register conventions, and function structure and calling conventions. An ABI defines linkname generation from C symbol names. It defines the object file format and the debug format. It defines how the system is initialized. In the case of C++, it defines C++ name mangling and exception handling support.

The COFF ABI is not supported in v15.6.0.STS and later versions of the TI Code Generation Tools. If you would like to produce COFF output files, please use v4.4 of the MSP430 Code Generation Tools and refer to [SPRU132J](#) for documentation.

MSP430 uses the EABI ABI, which requires the ELF object file format. This format supports modern language features like early template instantiation and exporting inline functions.

TI-specific information on EABI mode is described in [Section 6.9.3](#).

To generate object files compatible with EABI, you must use MSP430 compiler version 4.0 or greater; see [Section 2.13](#).

The `__TI_EABI__` predefined symbol is defined and set to 1 if compiling for EABI.

For low-level details about the MSP430 EABI, see *The MSP430 Embedded Application Binary Interface* (SLAA534).

5.14 Object File Symbol Naming Conventions (Linknames)

Each externally visible identifier is assigned a unique symbol name to be used in the object file, a so-called *linkname*. This name is assigned by the compiler according to an algorithm which depends on the name, type, and source language of the symbol. This algorithm may add a prefix to the identifier (typically an underscore), and it may *mangle* the name.

User-defined symbols in C code and in assembly code are stored in the same namespace, which means you are responsible for making sure that your C identifiers do not collide with your assembly code identifiers. You may have identifiers that collide with assembly keywords (for instance, register names); in this case, the compiler automatically uses an escape sequence to prevent the collision. The compiler escapes the identifier with double parallel bars, which instructs the assembler not to treat the identifier as a keyword. You are responsible for making sure that C identifiers do not collide with user-defined assembly code identifiers.

Name mangling encodes the types of the parameters of a function in the linkname for a function. Name mangling only occurs for C++ functions which are not declared 'extern "C"'. Mangling allows function overloading, operator overloading, and type-safe linking. Be aware that the return value of the function is not encoded in the mangled name, as C++ functions cannot be overloaded based on the return value.

For example, the general form of a C++ linkname for a function named `func` is:

func__F parmcodes

Where `parmcodes` is a sequence of letters that encodes the parameter types of `func`.

For this simple C++ source file:

```
int foo(int i){ } //global C++ function
```

This is the resulting assembly code:

```
foo__Fi
```

The linkname of `foo` is `foo__Fi`, indicating that `foo` is a function that takes a single argument of type `int`. To aid inspection and debugging, a name demangling utility is provided that demangles names into those found in the original C++ source. See [Chapter 8](#) for more information.

The mangling algorithm follows that described in the Itanium C++ ABI (<http://www.codesourcery.com/cxx-abi/abi.html>).

`int foo(int i) { }` would be mangled "`_Z3foo`"

5.15 Changing the ANSI/ISO C/C++ Language Mode

The language mode command-line options determine how the compiler interprets your source code. You specify one option to identify which language standard your code follows. You can also specify a separate option to specify how strictly the compiler should expect your code to conform to the standard.

Specify one of the following language options to control the language standard that the compiler expects the source to follow. The options are:

- ANSI/ISO C89 (`--c89`, default for C files)
- ANSI/ISO C99 (`--c99`, see [Section 5.15.1.](#))
- ANSI/ISO C11 (`--c11`, see [Section 5.15.2](#))
- ISO C++14 (`--c++14`, used for all C++ files, see [Section 5.2.](#))

Use one of the following options to specify how strictly the code conforms to the standard:

- Relaxed ANSI/ISO (`--relaxed_ansi` or `-pr`) This is the default.
- Strict ANSI/ISO (`--strict_ansi` or `-ps`)

The default is relaxed ANSI/ISO mode. Under relaxed ANSI/ISO mode, the compiler accepts language extensions that could potentially conflict with ANSI/ISO C/C++. Under strict ANSI mode, these language extensions are suppressed so that the compiler will accept all strictly conforming programs. (See [Section 5.15.3.](#))

5.15.1 C99 Support (`--c99`)

The compiler supports the 1999 standard of C as standardized by the ISO. However, the following list of run-time functions and features are *not* implemented or fully supported:

- `inttypes.h`
 - `wcstoimax()` / `wcstoumax()`
- `stdio.h`
 - The `%e` specifier may produce "-0" when "0" is expected by the standard
 - `snprintf()` does not properly pad with spaces when writing to a wide character array
- `stdlib.h`
 - `vfscanf()` / `vscanf()` / `vsscanf()` return value on floating point matching failure is incorrect
- `wchar.h`
 - `getws()` / `fputws()`
 - `mbrlen()`
 - `mbsrtowcs()`
 - `wcscat()`
 - `wcschr()`
 - `wcscmp()` / `wcsncmp()`
 - `wcscpy()` / `wcsncpy()`
 - `wcsftime()`
 - `wcsrtombs()`
 - `wcsstr()`
 - `wcstok()`
 - `wcsxfrm()`
 - Wide character print / scan functions
 - Wide character conversion functions

5.15.2 C11 Support (--c11)

The compiler supports the 2011 standard of C as standardized by the ISO. However, in addition to the list in [Section 5.15.1](#), the following run-time functions and features are *not* implemented or fully supported in C11 mode:

- `threads.h`

5.15.3 Strict ANSI Mode and Relaxed ANSI Mode (--strict_ansi and --relaxed_ansi)

Under relaxed ANSI/ISO mode (the default), the compiler accepts language extensions that could potentially conflict with a strictly conforming ANSI/ISO C/C++ program. Under strict ANSI mode, these language extensions are suppressed so that the compiler will accept all strictly conforming programs.

Use the `--strict_ansi` option when you know your program is a conforming program and it will not compile in relaxed mode. In this mode, language extensions that conflict with ANSI/ISO C/C++ are disabled and the compiler will emit error messages where the standard requires it to do so. Violations that are considered discretionary by the standard may be emitted as warnings instead.

Examples:

The following is strictly conforming C code, but will not be accepted by the compiler in the default relaxed mode. To get the compiler to accept this code, use strict ANSI mode. The compiler will suppress the `interrupt` keyword language extension, and `interrupt` may then be used as an identifier in the code.

```
int main()
{
    int interrupt = 0;
    return 0;
}
```

The following is not strictly conforming code. The compiler will not accept this code in strict ANSI mode. To get the compiler to accept it, use relaxed ANSI mode. The compiler will provide the `interrupt` keyword extension and will accept the code.

```
interrupt void isr(void);
int main()
{
    return 0;
}
```

The following code is accepted in all modes. The `__interrupt` keyword does not conflict with the ANSI/ISO C standard, so it is always available as a language extension.

```
__interrupt void isr(void);
int main()
{
    return 0;
}
```

The default mode is relaxed ANSI. This mode can be selected with the `--relaxed_ansi` (or `-pr`) option. Relaxed ANSI mode accepts the broadest range of programs. It accepts all TI language extensions, even those which conflict with ANSI/ISO, and ignores some ANSI/ISO violations for which the compiler can do something reasonable. Some GCC language extensions described in [Section 5.16](#) may conflict with strict ANSI/ISO standards, but many do not conflict with the standards.

5.16 GNU and Clang Language Extensions

The GNU compiler collection (GCC) defines a number of language features not found in the ANSI/ISO C and C++ standards. The definition and examples of these extensions (for GCC version 4.7) can be found at the GNU web site, <http://gcc.gnu.org/onlinedocs/gcc-4.7.2/gcc/C-Extensions.html#C-Extensions>. Most of these extensions are also available for C++ source code.

The compiler also supports the following Clang macro extensions, which are described in the [Clang 6 Documentation](#):

- `__has_feature` (up to tests described for Clang 3.5)
- `__has_extension` (up to tests described for Clang 3.5)
- `__has_include`
- `__has_include_next`
- `__has_builtin` (see [Section 5.16.5](#))
- `__has_attribute`

5.16.1 Extensions

Most of the GCC language extensions are available in the TI compiler when compiling in relaxed ANSI mode (`--relaxed_ansi`).

The extensions that the TI compiler supports are listed in [Table 5-3](#), which is based on the list of extensions found at the GNU web site. The shaded rows describe extensions that are not supported.

Table 5-3. GCC Language Extensions

Extensions	Descriptions
Statement expressions	Putting statements and declarations inside expressions (useful for creating smart 'safe' macros)
Local labels	Labels local to a statement expression
Labels as values	Pointers to labels and computed gotos
Nested functions	As in Algol and Pascal, lexical scoping of functions
Constructing calls	Dispatching a call to another function
Naming types ⁽¹⁾	Giving a name to the type of an expression
typeof operator	typeof referring to the type of an expression
Generalized lvalues	Using question mark (?) and comma (,) and casts in lvalues
Conditionals	Omitting the middle operand of a ?: expression
Hex floats	Hexadecimal floating-point constants
Complex	Data types for complex numbers
Zero length	Zero-length arrays
Variadic macros	Macros with a variable number of arguments
Variable length	Arrays whose length is computed at run time
Empty structures	Structures with no members
Subscripting	Any array can be subscripted, even if it is not an lvalue.
Escaped newlines	Slightly looser rules for escaped newlines
Multi-line strings ⁽¹⁾	String literals with embedded newlines
Pointer arithmetic	Arithmetic on void pointers and function pointers
Initializers	Non-constant initializers
Compound literals	Compound literals give structures, unions, or arrays as values
Designated initializers	Labeling elements of initializers
Cast to union	Casting to union type from any member of the union
Case ranges	'Case 1 ... 9' and such
Mixed declarations	Mixing declarations and code
Function attributes	Declaring that functions have no side effects, or that they can never return

Table 5-3. GCC Language Extensions (continued)

Extensions	Descriptions
Attribute syntax	Formal syntax for attributes
Function prototypes	Prototype declarations and old-style definitions
C++ comments	C++ comments are recognized.
Dollar signs	A dollar sign is allowed in identifiers.
Character escapes	The character ESC is represented as <code>\e</code>
Variable attributes	Specifying the attributes of variables
Type attributes	Specifying the attributes of types
Alignment	Inquiring about the alignment of a type or variable
Inline	Defining inline functions (as fast as macros)
Assembly labels	Specifying the assembler name to use for a C symbol
Extended asm	Assembler instructions with C operands
Constraints	Constraints for asm operands
Wrapper headers	Wrapper header files can include another version of the header file using <code>#include_next</code>
Alternate keywords	Header files can use <code>__const__</code> , <code>__asm__</code> , etc
Explicit reg vars	Defining variables residing in specified registers
Incomplete enum types	Define an enum tag without specifying its possible values
Function names	Printable strings which are the name of the current function
Return address	Getting the return or frame address of a function (limited support)
Other built-ins	Other built-in functions (see Section 5.16.5)
Vector extensions	Using vector instructions through built-in functions
Target built-ins	Built-in functions specific to particular targets
Pragmas	Pragmas accepted by GCC
Unnamed fields	Unnamed struct/union fields within structs/unions
Thread-local	Per-thread variables
Binary constants	Binary constants using the <code>'0b'</code> prefix.

(1) Feature defined for GCC 3.0; definition and examples at <http://gcc.gnu.org/onlinedocs/gcc-4.7.2/gcc/C-Extensions.html#C-Extensions>

5.16.2 Function Attributes

The following GCC function attributes are supported:

- `alias`
- `aligned`
- `always_inline`
- `call_conv`
- `calls`
- `const`
- `constructor`
- `deprecated`
- `format`
- `format_arg`
- `interrupt`
- `malloc`
- `naked`
- `noinline`
- `noreturn`
- `pure`

- ramfunc
- section
- unused
- used
- warn_unused_result
- weak

The following additional TI-specific function attribute is supported:

- retain

For example, this function declaration uses the **alias** attribute to make "my_alias" a function alias for the "myFunc" function:

```
void my_alias() __attribute__((alias("myFunc")));
```

The **aligned** function attribute has the same effect as the CODE_ALIGN pragma. See [Section 5.11.4](#)

The **always_inline** function attribute has the same effect as the FUNC_ALWAYS_INLINE pragma. See [Section 5.11.11](#)

The **call_conv** attribute can be used to modify the calling conventions to allow both the IAR and TI compilers to link against the same ROM image. This function attribute allows functions compiled with the TI compiler to be linked with a ROM image generated by the IAR compiler. Note that the TI compiler does not generate ROM images.

The call_conv attribute can be specified with "cc_rom" (for IAR/TI compatibility) or "cc_norm" (the default calling convention). Use "cc_rom" if you want to share a ROM image compiled with IAR. The following example uses the call_conv attribute in several ways:

```
#define __cc_rom __attribute__((call_conv("cc_rom")))

__cc_rom void rom_func(void)
{
    ...
}
typedef __cc_rom void (rom_func_t)(void);

int main()
{
    rom_func();

    rom_func_t *fp = (rom_func_t*)0x1234;
    fp();

    ((void (__cc_rom *) (void))0x2468)();

    void (__cc_rom *rom_func_ptr)(void);
    rom_func_ptr = &rom_func;
    rom_func_ptr();
}
```

If you want IAR/TI compatibility with your calling conventions, be aware of the following restrictions on parameter passing.

- All parameters combined must fit in registers. Registers may not be passed on the stack.
- Only scalar parameters are allowed. Do not pass structs.
- Do not pass function pointers, enums, or doubles.
- For single registers, use R12,13,14,15 in that order.
- For register pairs, use R12:R13 or R14:R15 in that order.
- For register quads, use R12:R13:R14:R15.
- For MSP430, always use CALL/RET.
- For MSP430x always uses CALLA/RETA.

- For save-on-call registers, use R11-R15.
- For save-on-entry registers, use R4-R10.

The **calls** attribute has the same effect as the CALLS pragma, which is described in [Section 5.11.2](#).

The **format** attribute is applied to the declarations of printf, fprintf, sprintf, snprintf, vprintf, fprintf, vsprintf, vsnprintf, scanf, fscanf, vfscanf, vscanf, vsscanf, and sscanf in stdio.h. Thus when GCC extensions are enabled, the data arguments of these functions are type checked against the format specifiers in the format string argument and warnings are issued when there is a mismatch. These warnings can be suppressed in the usual ways if they are not desired.

See [Section 5.11.19](#) for more about using the **interrupt** function attribute.

The **malloc** attribute is applied to the declarations of malloc, calloc, realloc and memalign in stdlib.h.

The **naked** attribute identifies functions that are written as embedded assembly functions using `__asm` statements. The compiler does not generate prologue and epilog sequences for such functions. See [Section 5.10](#).

The **noinline** function attribute has the same effect as the FUNC_CANNOT_INLINE pragma. See [Section 5.11.12](#)

The **ramfunc** attribute specifies that a function will be placed in and executed from RAM. The ramfunc attribute allows the compiler to optimize functions for RAM execution, as well as to automatically copy functions to RAM on flash-based devices. For example:

```
__attribute__((ramfunc))
void f(void) {
    ...
}
```

The `--ramfunc=on` option specifies that all functions compiled with this option are placed in and executed from RAM, even if this function attribute is not used.

Newer TI linker command files support the ramfunc attribute automatically by placing functions with this attribute in the `.TI.ramfunc` section. If you have a linker command file that does not include a section specification for the `.TI.ramfunc` section, you can modify the linker command file to place this section in RAM. See the *MSP430 Assembly Language Tools User's Guide* for details on section placement.

The **retain** attribute has the same effect as the RETAIN pragma ([Section 5.11.27](#)). That is, the section that contains the function will not be omitted from conditionally linked output even if it is not referenced elsewhere in the application.

The **section** attribute when used on a function has the same effect as the CODE_SECTION pragma. See [Section 5.11.5](#)

The **weak** attribute has the same effect as the WEAK pragma ([Section 5.11.30](#)).

5.16.3 Variable Attributes

The following variable attributes are supported:

- aligned
- deprecated
- location
- mode
- noinit
- packed
- persistent
- retain
- section
- transparent_union
- unused
- used
- weak

The **aligned** attribute when used on a variable has the same effect as the `DATA_ALIGN` pragma. See [Section 5.11.6](#)

The **location** attribute has the same effect as the `LOCATION` pragma. See [Section 5.11.20](#). For example:

```
__attribute__((location(0x100))) extern struct PERIPH peripheral;
```

The **noinit** and **persistent** attributes apply to the ROM initialization model and allow an application to avoid initializing certain global variables during a reset. The alternative RAM initialization model initializes variables only when the image is loaded; no variables are initialized during a reset. See the "RAM Model vs. ROM Model" section and its subsections in the *MSP430 Assembly Language Tools User's Guide*.

The **noinit** attribute can be used on uninitialized variables; it prevents those variables from being set to 0 during a reset. The **persistent** attribute can be used on initialized variables; it prevents those variables from being initialized during a reset. By default, variables marked **noinit** or **persistent** will be placed in sections named `.TI.noinit` and `.TI.persistent`, respectively. The location of these sections is controlled by the linker command file. Typically `.TI.persistent` sections are placed in FRAM for devices that support FRAM and `.TI.noinit` sections are placed in RAM. Also see [Section 5.11.21](#).

The **packed** attribute may be applied to individual fields within a struct or union. The behavior of the packed attribute for structure and union fields is described in [Section 5.16.4](#).

The **retain** attribute has the same effect as the `RETAIN` pragma ([Section 5.11.27](#)). That is, the section that contains the variable will not be omitted from conditionally linked output even if it is not referenced elsewhere in the application.

The **section** attribute when used on a variable has the same effect as the `DATA_SECTION` pragma. See [Section 5.11.7](#)

The **used** attribute is defined in GCC 4.2 (see <http://gcc.gnu.org/onlinedocs/gcc-4.2.4/gcc/Variable-Attributes.html#Variable-Attributes>).

The **weak** attribute has the same effect as the `WEAK` pragma ([Section 5.11.30](#)).

5.16.4 Type Attributes

The following type attributes are supported:

- aligned
- deprecated
- packed
- transparent_union
- unused

The **packed** attribute is supported for struct and union types if the `--relaxed_ansi` option is used.

Members of a packed structure are stored as closely to each other as possible, omitting additional bytes of padding usually added to preserve word-alignment. For example, assuming a word-size of 4 bytes ordinarily has 3 bytes of padding between members `c1` and `i`, and another 3 bytes of trailing padding after member `c2`, leading to a total size of 12 bytes:

```
struct unpacked_struct { char c1; int i; char c2;};
```

However, the members of a packed struct are byte-aligned. Thus the following does not have any bytes of padding between or after members and totals 6 bytes:

```
struct __attribute__((__packed__)) packed_struct { char c1; int i; char c2; };
```

Subsequently, packed structures in an array are packed together without trailing padding between array elements.

Using "packed" on a bit-field overrides the EABI requirements for bit-fields. For *non-packed bit-fields*, the declared type of a bit-field is used for the container type. For *packed bit-fields*, the smallest integral type (except `bool`) is used, regardless of the declared type. For *non-packed volatile bit-fields*, the bit-field must be accessed using one access of the same size as the declared type. For *packed volatile bit-fields*, the access must be of the same size as the actual container type, and may not be the same as the declared type; additionally, the actual container might not be aligned, and might span more than one aligned container boundary, so accessing a packed volatile bit-field may require more than one memory access. This can also affect the overall size of the struct; for instance, if the struct contains only the bit-field, the struct might not be as large as the declared type of the bit-field. For *both packed and unpacked bit-fields*, bit-fields are bit-aligned and are packed together with adjacent bit-fields with no padding, are entirely contained within an integer container that is at least byte-aligned; and do not alter the alignment of adjacent non-bitfield struct members.

The "packed" attribute can be applied only to the original definition of a structure or union type. It cannot be applied with a typedef to a non-packed structure that has already been defined, nor can it be applied to the declaration of a struct or union object. Therefore, any given structure or union type can only be packed or non-packed, and all objects of that type will inherit its packed or non-packed attribute.

The "packed" attribute is not applied recursively to structure types that are contained within a packed structure. Thus, in the following example the member `s` retains the same internal layout as in the first example above. There is no padding between `c` and `s`, so `s` falls on an unaligned boundary:

```
struct __attribute__((__packed__)) outer_packed_struct { char c; struct unpacked_struct s; };
```

It is illegal to implicitly or explicitly cast the address of a packed struct member as a pointer to any non-packed type except an unsigned char. In the following example, p1, p2, and the call to foo are all illegal.

```
void foo(int *param);
struct packed_struct ps;
int *p1 = &ps.i;
int *p2 = (int *)&ps.i;
foo(&ps.i);
```

However, it is legal to explicitly cast the address of a packed struct member as a pointer to an unsigned char:

```
unsigned char *pc = (unsigned char *)&ps.i;
```

The "packed" attribute can also be applied to enumerated types. On an enum, "packed" indicates that the smallest integral type should be used.

The TI compiler also supports an **unpacked** attribute for an enumeration type to allow you to indicate that the representation is to be an integer type that is no smaller than int; in other words, it is not *packed*.

5.16.5 Built-In Functions

The following built-in functions are supported:

- `__builtin_abs()`
- `__builtin_constant_p()`
- `__builtin_expect()`
- `__builtin_fabs()`
- `__builtin_fabsf()`
- `__builtin_frame_address()`
- `__builtin_labs()`
- `__builtin_memcpy()`
- `__builtin_return_address()`

The `__builtin_frame_address()` function always returns zero .

The `__builtin_return_address()` function always returns zero.

5.17 Compiler Limits

Due to the variety of host systems supported by the C/C++ compiler and the limitations of some of these systems, the compiler may not be able to successfully compile source files that are excessively large or complex. In general, exceeding such a system limit prevents continued compilation, so the compiler aborts immediately after printing the error message. Simplify the program to avoid exceeding a system limit.

Some systems do not allow filenames longer than 500 characters. Make sure your filenames are shorter than 500.

The compiler has no arbitrary limits but is limited by the amount of memory available on the host system. On smaller host systems such as PCs, the optimizer may run out of memory. If this occurs, the optimizer terminates and the shell continues compiling the file with the code generator. This results in a file compiled with no optimization. The optimizer compiles one function at a time, so the most likely cause of this is a large or extremely complex function in your source module. To correct the problem, your options are:

- Don't optimize the module in question.
- Identify the function that caused the problem and break it down into smaller functions.
- Extract the function from the module and place it in a separate module that can be compiled without optimization so that the remaining functions can be optimized.

This page intentionally left blank.

This chapter describes the MSP430 C/C++ run-time environment. To ensure successful execution of C/C++ programs, it is critical that all run-time code maintain this environment. It is also important to follow the guidelines in this chapter if you write assembly language functions that interface with C/C++ code.

6.1 Memory Model	120
6.2 Object Representation.....	124
6.3 Register Conventions.....	126
6.4 Function Structure and Calling Conventions.....	127
6.5 Accessing Linker Symbols in C and C++.....	130
6.6 Interfacing C and C++ With Assembly Language.....	130
6.7 Interrupt Handling.....	133
6.8 Using Intrinsics to Access Assembly Language Statements.....	135
6.9 System Initialization.....	138
6.10 Compiling for 20-Bit MSP430X Devices.....	146

6.1 Memory Model

The MSP430 compiler treats memory as a single linear block that is partitioned into subblocks of code and data. Each subblock of code or data generated by a C program is placed in its own continuous memory space. The compiler assumes that the full 16-bit (for MSP430) or 20-bit (for MSP430X) address space is available in target memory.

Note

The Linker Defines the Memory Map

The linker, not the compiler, defines the memory map and allocates code and data into target memory. The compiler assumes nothing about the types of memory available, about any locations not available for code or data (holes), or about any locations reserved for I/O or control purposes. The compiler produces relocatable code that allows the linker to allocate code and data into the appropriate memory spaces. For example, you can use the linker to allocate global variables into on-chip RAM or to allocate executable code into external ROM. You can allocate each block of code or data individually into memory, but this is not a general practice (an exception to this is memory-mapped I/O, although you can access physical memory locations with C/C++ pointer types).

6.1.1 Code Memory Models

The MSP430 compiler supports two different code memory models, small and large, which are controlled by the `--code_model` option.

- The small code model uses 16-bit function pointers and requires all code and all text sections to be placed in the low 64K of memory. This is the only valid code model for 16-bit MSP430 devices.
- The large code model provides a 1 MB address space for code and uses 20-bit function pointers. It is the default for MSP430X devices, including the MSP430F5xxx and MSP430F6xxx families. Interrupt service routines must still be placed in the low 64 KB of memory (see [Section 6.7.5](#)).

The small code model is slightly more efficient in terms of run-time performance and memory usage when compared to the large code model. Therefore, it is beneficial to use the small code model when all code and text sections will fit in the low 64K of memory. Modules assembled/compiled using the small-code model are not compatible with modules that are assembled/compiled using large-code model. The linker generates an error if any attempt is made to combine object files that use different code memory models. An appropriate run-time library must be used as well.

6.1.2 Data Memory Models

The MSP430 compiler supports three different data memory models: small, restricted and large. The data model used is controlled by the `--data_model` option. The 16-bit MSP430 devices always use the small data memory model. The 20-bit MSP430X devices can use any data memory model and use the small data model by default.

- The small data model requires that all data sections be located in the low 64K of memory. Data pointers are 16-bits in size. This is the most efficient data model in terms of performance and application size.
- The restricted data model allows data to be located throughout the entire 1MB address space available on MSP430X devices with only a minimal efficiency penalty over the small data model. It is restricted because individual objects (structures, arrays, etc.) cannot be larger than 64K in size. Data pointers are 32-bits in size.
- The large data model also allows data to be located throughout the entire 1MB address space and also places no restriction on the maximum size of an individual object. Permitting individual objects to be greater than 64K in size causes code generated for the large data model to be less efficient than code generated for the restricted data model.

Data memory is also affected by the `--near_data` option as described in [Section 6.1.3](#).

The maximum size of an object (`size_t`) and the maximum difference between two pointers (`ptrdiff_t`) are increased from 16-bits to 32-bits in the large data model. Applications that rely on `size_t` or `ptrdiff_t` to be a specific size may need to be updated.

Object files built with different data models are not compatible. All files in an application must be built with the same data model. Additionally, a run-time-support library matching that data model must be used. When using automatic library selection (the default), the linker will automatically select the correct library [Section 4.3.1.1](#). If you select the library manually, you must select the matching library according to [Section 7.1.8](#).

6.1.3 Support for Near Data

Most MSP430X devices do not have any writeable memory above the 64K boundary. However, most FRAM MSP430x devices and a few non-FRAM devices have writeable memory above 64k boundary.

For those few non-FRAM devices with high RAM (above 64K), non-constant data may be placed above the 64K boundary by the linker command file.

For all other devices, which have no writeable memory above the 64K boundary even when the restricted or large data models are used, only constant data will be placed above 64K. The compiler can take advantage of this knowledge to produce more efficient code. The `--near_data` option controls this optimization.

When `--near_data=globals` is specified, this option tells the compiler that all global read/write data must be located in the first 64K of memory. This is the default behavior. Global read/write data is placed by default in the `.bss` and `.data` sections.

If `--near_data=none` is specified, this option tells the compiler that it cannot rely on this assumption to generate more efficient code.

6.1.4 Sections

The compiler produces relocatable blocks of code and data called *sections*. The sections are allocated into memory in a variety of ways to conform to a variety of system configurations. For more information about sections and allocating them, see the introductory object file information in the *MSP430 Assembly Language Tools User's Guide*.

There are two basic types of sections:

- **Initialized sections** contain data or executable code. Initialized sections are usually, but not always, read-only. The C/C++ compiler creates the following initialized sections:
 - The **.binit section** contains boot time copy tables. This is a read-only section. For details on BINIT, see the *MSP430 Assembly Language Tools User's Guide*.
 - The **.cinit section** contains tables for initializing variables and constants. This is a read-only section. The compiler does not create this section; instead, the linker does.
 - The **.init_array section** contains the table of pointers to initialization routines for global C++ objects.
 - The **.ovly section** contains copy tables for unions in which different sections have the same run address. This is a read-only section.
 - The **.data section** contains initialized global and static variables.
 - For EABI only, the **.mspabi.exidx section** contains the index table for exception handling. The **.mspabi.exstab section** contains unwinding instructions for exception handling. These sections are read-only. See the `--exceptions` option for details.
 - The **.const section** contains string constants, string literals, switch tables, and data defined with the C/C++ qualifier *const* (provided the constant is not also defined as *volatile* or one of the exceptions described in [Section 5.7.1](#)). This is a read-only section. String literals are placed in the `.const:.string` subsection to enable greater link-time placement control.
 - The **.text section** contains all the executable code and compiler-generated constants. This section is usually read-only.
 - The **.TI.crctab section** contains CRC checking tables. This is a read-only section.
- **Uninitialized sections** reserve space in memory (usually RAM). A program can use this space at run time to create and store variables. The compiler creates the following uninitialized sections:
 - The **.bss section** reserves space for global and static variables. At boot or load time, the C/C++ boot routine or the loader copies data out of the `.cinit` section (which can be in ROM) and stores it in the `.bss` section.

- For EABI only, the **.bss section** reserves space for uninitialized global and static variables. Uninitialized variables that are also unused are usually created as common symbols (unless you specify `--common=off`) instead of being placed in `.bss` so that they can be excluded from the resulting application.
- The **.stack section** reserves memory for the C/C++ software stack.
- The **.systemem section** reserves space for dynamic memory allocation. This space is used by dynamic memory allocation routines, such as `malloc()`, `calloc()`, `realloc()`, or `new()`. If a C/C++ program does not use these functions, the compiler does not create the `.systemem` section.

The assembler creates the default sections `.text`, `.bss`, and `.data`. You can instruct the compiler to create additional sections by using the `CODE_SECTION` and `DATA_SECTION` pragmas (see [Section 5.11.5](#) and [Section 5.11.7](#)).

The linker takes the individual sections from different object files and combines sections that have the same name. The resulting output sections and the appropriate placement in memory for each section are listed in [Table 6-1](#). You can place these output sections anywhere in the address space as needed to meet system requirements.

Table 6-1. Summary of Sections and Memory Placement

Section	Type of Memory	Section	Type of Memory
<code>.bss</code>	RAM	<code>.pinit</code> or <code>.init_array</code>	ROM or RAM
<code>.cinit</code>	ROM or RAM	<code>.stack</code>	RAM
<code>.const</code>	ROM or RAM	<code>.systemem</code>	RAM
<code>.data</code>	RAM	<code>.text</code>	ROM or RAM

You can use the `SECTIONS` directive in the linker command file to customize the section-allocation process. For more information about allocating sections into memory, see the linker description chapter in the *MSP430 Assembly Language Tools User's Guide*.

6.1.5 C/C++ Software Stack

The C/C++ compiler uses a function frame stack to:

- Allocate local variables
- Pass arguments to functions
- Save register contents

The run-time stack grows from the high addresses to the low addresses. The compiler uses the R1 register to manage this stack. R1 is the *stack pointer* (SP), which points to the next unused location on the stack.

The linker sets the stack size, creates a global symbol, `__TI_STACK_SIZE`, and assigns it a value equal to the stack size in bytes. The default stack size is 80 bytes. You can change the stack size at link time by using the `--stack_size` option with the linker command. For more information on the `--stack_size` option, see the linker description chapter in the *MSP430 Assembly Language Tools User's Guide*.

Note

Save-On-Entry Registers and C/C+ Stack Size

Since register sizes increase for MSP430X devices (specified with `--silicon_version=mbsp`), saving and restoring save-on-entry registers requires 32-bits of stack space for each register saved on the stack. When you are porting code originally written for 16-bit MSP430 devices, you may need to increase the C stack size from previous values.

At system initialization, SP is set to a designated address for the top of the stack. This address is the first location past the end of the `.stack` section. Since the position of the stack depends on where the `.stack` section is allocated, the actual address of the stack is determined at link time.

The C/C++ environment automatically decrements SP at the entry to a function to reserve all the space necessary for the execution of that function. The stack pointer is incremented at the exit of the function to restore

the stack to the state before the function was entered. If you interface assembly language routines to C/C++ programs, be sure to restore the stack pointer to the same state it was in before the function was entered.

For more information about using the stack pointer, see [Section 6.3](#); for more information about the stack, see [Section 6.4](#).

Note

Stack Overflow

The compiler provides no means to check for stack overflow during compilation or at run time. A stack overflow disrupts the run-time environment, causing your program to fail. Be sure to allow enough space for the stack to grow. You can use the `--entry_hook` option to add code to the beginning of each function to check for stack overflow; see [Section 2.14](#).

6.1.6 Dynamic Memory Allocation

The run-time-support library supplied with the MSP430 compiler contains several functions (such as `malloc`, `calloc`, and `realloc`) that allow you to allocate memory dynamically for variables at run time.

Memory is allocated from a global pool, or heap, that is defined in the `.systemem` section. You can set the size of the `.systemem` section by using the `--heap_size=size` option with the linker command. The linker also creates a global symbol, `__TI_SYSMEM_SIZE`, and assigns it a value equal to the size of the heap in bytes. The default size is 128 bytes. For more information on the `--heap_size` option, see the linker description chapter in the *MSP430 Assembly Language Tools User's Guide*.

If you use any C I/O function, the RTS library allocates an I/O buffer for each file you access. This buffer will be a bit larger than `BUFSIZ`, which is defined in `stdio.h` and defaults to 256. Make sure you allocate a heap large enough for these buffers or use `setvbuf` to change the buffer to a statically-allocated buffer.

Dynamically allocated objects are not addressed directly (they are always accessed with pointers) and the memory pool is in a separate section (`.systemem`); therefore, the dynamic memory pool can have a size limited only by the amount of available memory in your system. To conserve space in the `.bss` section, you can allocate large arrays from the heap instead of defining them as global or static. For example, instead of a definition such as:

```
struct big table[100];
```

Use a pointer and call the `malloc` function:

```
struct big *table
table = (struct big *)malloc(100*sizeof(struct big));
```

When allocating from a heap, make sure the size of the heap is large enough for the allocation. This is particularly important when allocating variable-length arrays.

6.2 Object Representation

For general information about data types, see [Section 5.5](#). This section explains how various data objects are sized, aligned, and accessed.

6.2.1 Data Type Storage

[Table 6-2](#) lists register and memory storage for various data types:

Table 6-2. Data Representation in Registers and Memory

Data Type	Register Storage	Memory Storage
char	Bits 0-7 of register	8 bits aligned to 8-bit boundary
unsigned char	Bits 0-7 of register	8 bits aligned to 8-bit boundary
short	Bits 0-15 of register	16 bits aligned to 16-bit boundary
unsigned short	Bits 0-15 of register	16 bits aligned to 16-bit boundary
int	Entire register	16 bits aligned to 16-bit boundary
unsigned int	Entire register	16 bits aligned to 16-bit boundary
enum ⁽¹⁾	Entire register	16 bits aligned to 16-bit boundary
float	Two registers, which need not be adjacent	32 bits aligned to 16-bit boundary
long	Two registers, which need not be adjacent	32 bits aligned to 16-bit boundary
unsigned long	Two registers, which need not be adjacent	32 bits aligned to 16-bit boundary
long long	Four registers, which need not be adjacent	64 bits aligned to 16-bit boundary
unsigned long long	Four registers, which need not be adjacent	64 bits aligned to 16-bit boundary
double	Four registers, which need not be adjacent	64 bits aligned to 16-bit boundary
long double	Four registers, which need not be adjacent	64 bits aligned to 16-bit boundary
struct	Members are stored as their individual types require.	Multiple of 8 bits aligned to boundary of largest member type; members are stored and aligned as their individual types require.
array	Members are stored as their individual types require.	Members are stored as their individual types require. All arrays inside a structure are aligned according to the type of each element in the array.
pointer to data member	Bits 0-15 of register for MSP430. Bits 0-19 of register for MSP430X.	varies, see Table 5-2
pointer to member function	Components stored as their individual types require	64 bits aligned to 32-bit boundary

(1) The size of an enum varies by the size of the largest enum value and by whether it is packed or not. For details about the size of an enum type, see [Section 5.5.1](#).

6.2.1.1 Pointer to Member Function Types

Pointer to member function objects are stored as a structure with three members, and the layout is equivalent to:

```
struct {
    short int d;
    short int i;
    union {
        void (f) ();
        long 0;
    }
};
```

The parameter *d* is the offset added to the beginning of the class object for this pointer. The parameter *l* is the index into the virtual function table, offset by 1. The index enables the NULL pointer to be represented. Its value is -1 if the function is nonvirtual. The parameter *f* is the pointer to the member function if it is nonvirtual, when *l* is 0. The 0 is the offset to the virtual function pointer within the class object.

6.2.1.2 Structure and Array Alignment

Structures are aligned according to the member with the most restrictive alignment requirement. Structures do not contain padding after the last member. Elements of arrays are stored in the same manner as if they were individual objects.

The minimum alignment for arrays is that required by the type of its elements.

6.2.1.3 Field/Structure Alignment

When the compiler allocates space for a structure, it allocates as many words as are needed to hold all of the structure's members and to comply with alignment constraints for each member.

When a structure contains a 32-bit (long) member, the long is aligned to a 1-word (16-bit) boundary. This may require padding before, inside, or at the end of the structure to ensure that the long is aligned accordingly and that the sizeof value for the structure is an even value.

All non-field types are aligned on word or byte boundaries. Fields are allocated as many bits as requested. Adjacent fields are packed into adjacent bits of a word, but they do not overlap words. If a field would overlap into the next word, the entire field is placed into the next word.

Fields are packed as they are encountered; the least significant bits of the structure word are filled first. [Example 6-1](#) shows the C code definition of var while [Figure 6-1](#) shows the memory layout of var.

Example 6-1. C Code Definition of var

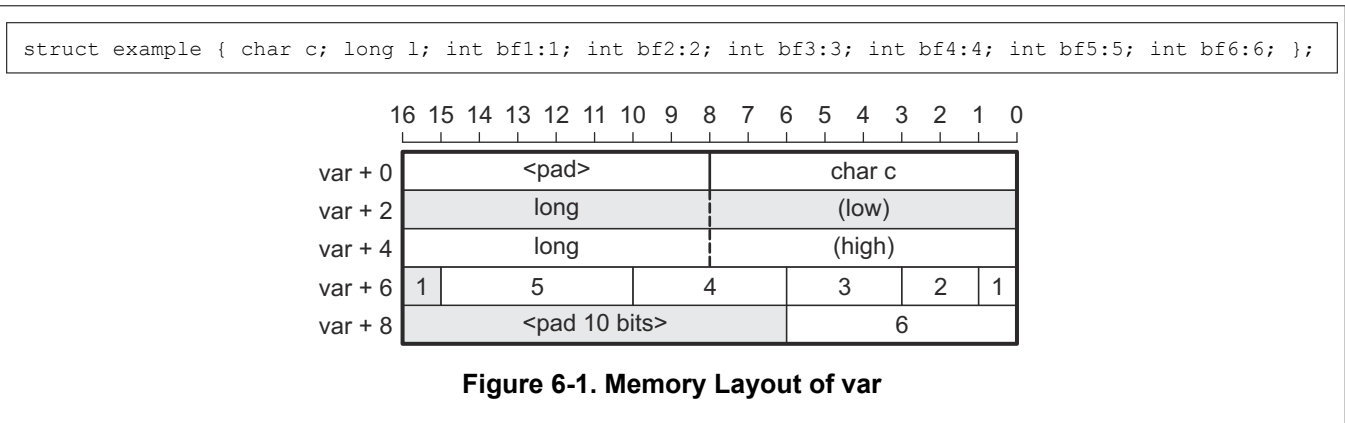


Figure 6-1. Memory Layout of var

6.2.2 Character String Constants

In C, a character string constant is used in one of the following ways:

- To initialize an array of characters. For example:

```
char s[] = "abc";
```

When a string is used as an initializer, it is simply treated as an initialized array; each character is a separate initializer. For more information about initialization, see [Section 6.9](#).

- In an expression. For example:

```
strcpy (s, "abc");
```

When a string is used in an expression, the string itself is defined in the .const section with the .string assembler directive, along with a unique label that points to the string; the terminating 0 byte is included. For

example, the following lines define the string `abc`, and the terminating 0 byte (the label `SL5` points to the string):

```
.sect ".const"
SL5: .string "abc",0
```

String labels have the form `SL n` , where n is a number assigned by the compiler to make the label unique. The number begins at 0 and is increased by 1 for each string defined. All strings used in a source module are defined at the end of the compiled assembly language module.

The label `SL n` represents the address of the string constant. The compiler uses this label to reference the string expression.

Because strings are stored in the `.const` section (possibly in ROM) and shared, it is bad practice for a program to modify a string constant. The following code is an example of incorrect string use:

```
const char *a = "abc"
a[1] = 'x'; /* Incorrect! undefined behavior */
```

6.3 Register Conventions

Strict conventions associate specific registers with specific operations in the C/C++ environment. If you plan to interface an assembly language routine to a C/C++ program, you must understand and follow these register conventions.

The register conventions dictate how the compiler uses registers and how values are preserved across function calls. [Table 6-3](#) shows the types of registers affected by these conventions. [Table 6-4](#) summarizes how the compiler uses registers and whether their values are preserved across calls. For information about how values are preserved across calls, see [Section 6.4](#).

Table 6-3. How Register Types Are Affected by the Conventions

Register Type	Description
Argument register	Passes arguments during a function call
Return register	Holds the return value from a function call
Expression register	Holds a value
Argument pointer	Used as a base value from which a function's parameters (incoming arguments) are accessed
Stack pointer	Holds the address of the top of the software stack
Program counter	Contains the current address of code being executed

Table 6-4. Register Usage and Preservation Conventions

Register	Alias	Usage	Preserved by Function ⁽¹⁾
R0	PC	Program counter	N/A
R1	SP	Stack pointer	N/A ⁽²⁾
R2	SR	Status register	N/A
R3		Constant generator	N/A
R4-R10		Expression register	Child
R11		Expression register	Parent
R12		Expression register, argument pointer, return register	Parent
R13		Expression register, argument pointer, return register	Parent
R14		Expression register, argument pointer, return register	Parent
R15		Expression register, argument pointer, return register	Parent

(1) The parent function refers to the function making the function call. The child function refers to the function being called.

(2) The SP is preserved by the convention that everything pushed on the stack is popped off before returning.

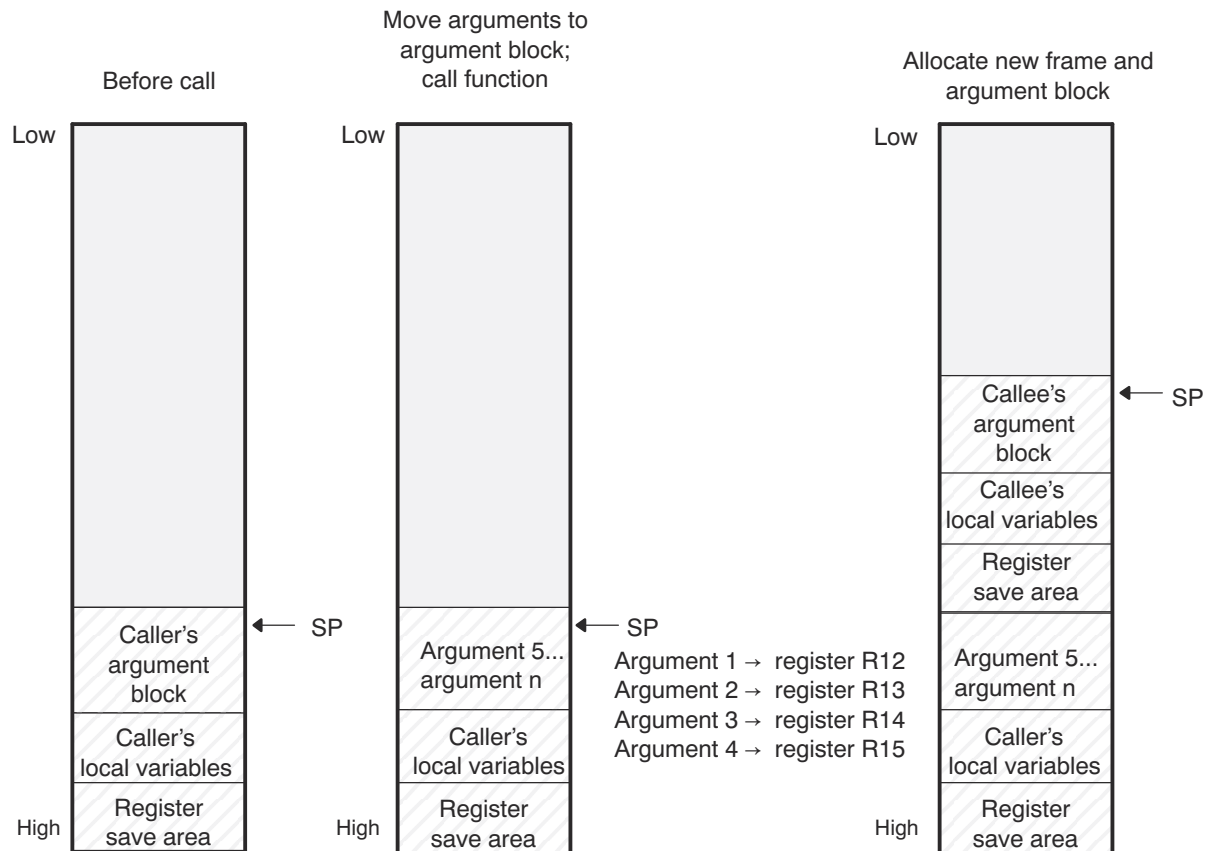
6.4 Function Structure and Calling Conventions

The C/C++ compiler imposes a strict set of rules on function calls. Except for special run-time support functions, any function that calls or is called by a C/C++ function must follow these rules. Failure to adhere to these rules can disrupt the C/C++ environment and cause a program to fail.

The following sections use this terminology to describe the function-calling conventions of the C/C++ compiler:

- **Argument block.** The part of the local frame used to pass arguments to other functions. Arguments are passed to a function by moving them into the argument block rather than pushing them on the stack. The local frame and argument block are allocated at the same time.
- **Register save area.** The part of the local frame that is used to save the registers when the program calls the function and restore them when the program exits the function.
- **Save-on-call registers.** Registers R11-R15. The called function does not preserve the values in these registers; therefore, the calling function must save them if their values need to be preserved.
- **Save-on-entry registers.** Registers R4-R10. It is the called function's responsibility to preserve the values in these registers. If the called function modifies these registers, it saves them when it gains control and preserves them when it returns control to the calling function.

Figure 6-2 illustrates a typical function call. In this example, arguments are passed to the function, and the function uses local variables and calls another function. The first four arguments are passed to registers R12-R15. This example also shows allocation of a local frame and argument block for the called function. Functions that have no local variables and do not require an argument block do not allocate a local frame.

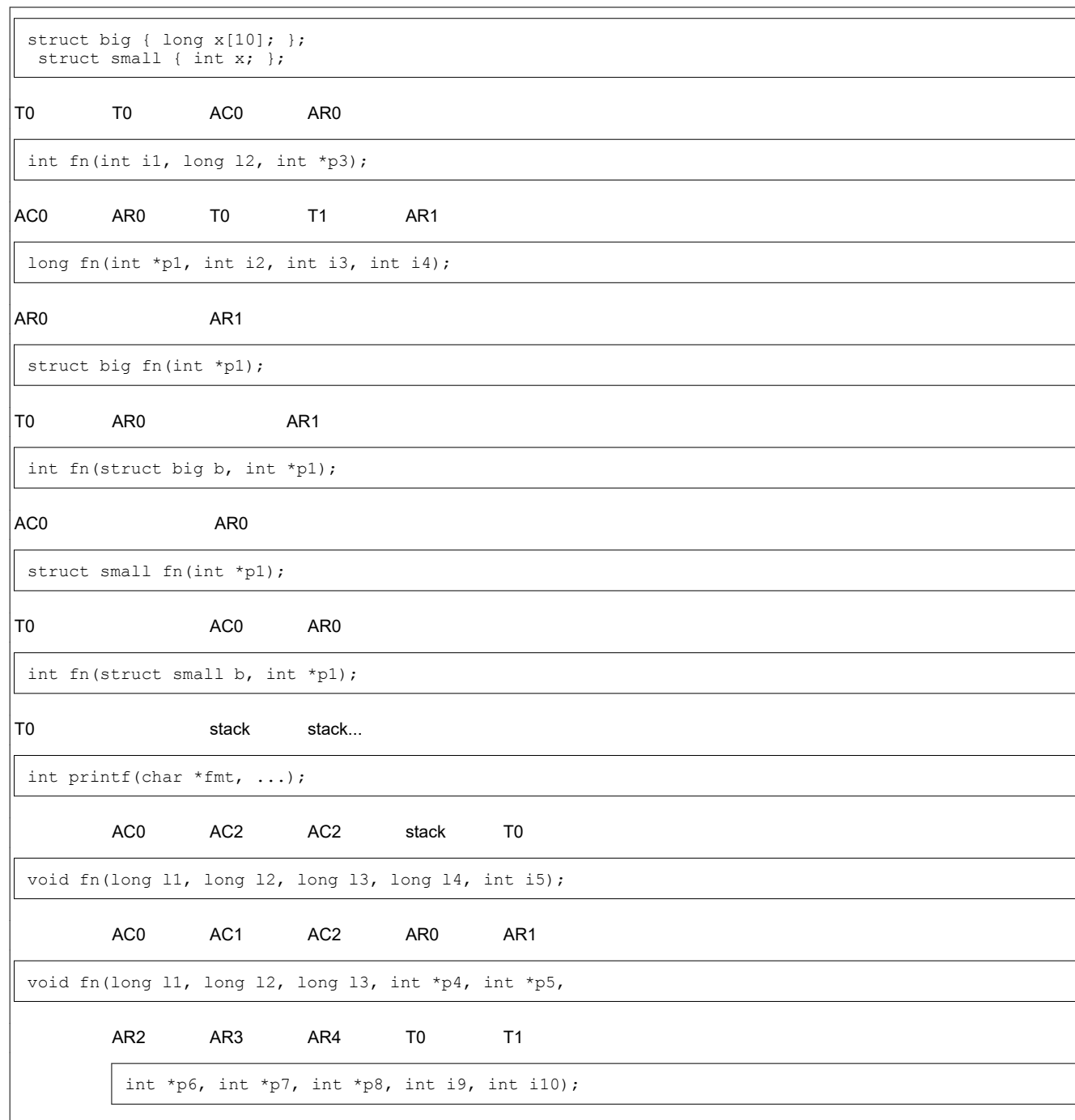


Legend: SP: stack pointer

Figure 6-2. Use of the Stack During a Function Call

6.4.1 How a Function Makes a Call

A function (parent function) performs the following tasks when it calls another function (child function).



1. The calling function (parent) is responsible for preserving any save-on-call registers across the call that are live across the call. (The save-on-call registers are R11-R15.)
2. If the called function (child) returns a structure, the caller allocates space for the structure and passes the address of that space to the called function as the first argument.
3. The caller places the first arguments in registers R12-R15, in that order. The caller moves the remaining arguments to the argument block in reverse order, placing the leftmost remaining argument at the lowest

address. Thus, the leftmost remaining argument is placed at the top of the stack. An argument with a type larger than 16 bits that would start in a save-on-call register may be split between R15 and the stack.

4. The caller calls the function.

Functions defined in C++ that must be called in asm must be defined extern "C", and functions defined in asm that must be called in C++ must be prototyped extern "C" in the C++ file.

6.4.2 How a Called Function Responds

A called function (child function) must perform the following tasks:

1. If the function is declared with an ellipsis, it can be called with a variable number of arguments. The called function pushes these arguments on the stack if they meet both of these criteria:
 - The argument includes or follows the last explicitly declared argument.
 - The argument is passed in a register.
2. The called function pushes register values of all the registers that are modified by the function and that must be preserved upon exit of the function onto the stack. Normally, these registers are the save-on-entry registers (R4-R10) if the function contains calls. If the function is an interrupt, additional registers may need to be preserved. For more information, see [Section 6.7](#).
3. The called function allocates memory for the local variables and argument block by subtracting a constant from the SP. This constant is computed with the following formula:

$$\text{size of all local variables} + \text{max} = \text{constant}$$

The *max* argument specifies the size of all parameters placed in the argument block for each call.

4. The called function executes the code for the function.
5. If the called function returns a value, it places the value in R12, R12 and R13, or R12 through R15, depending on the size of the return type.
6. If the called function returns a structure, it copies the structure to the memory block that the first argument, R12, points to. If the caller does not use the return value, R12 is set to 0. This directs the called function not to copy the return structure.

Structures and unions are always passed by reference.

In this way, the caller can be smart about telling the called function where to return the structure. For example, in the statement `s = func(x)`, where `s` is a structure and `f` is a function that returns a structure, the caller can simply pass the address of `s` as the first argument and call `f`. The function `f` then copies the return structure directly into `s`, performing the assignment automatically.

You must be careful to properly declare functions that return structures, both at the point where they are called (so the caller properly sets up the first argument) and at the point where they are declared (so the function knows to copy the result).

7. The called function deallocates the frame and argument block by adding the constant computed in Step 3.
8. The called function restores all registers saved in Step 2.
9. The called function (`func`) returns.

The following example is typical of how a called function responds to a call:

```

func:                ; Called function entry point
    PUSH.W    r10
    PUSH.W    r9      ; Save SOE registers
    SUB.W     #2,SP   ; Allocate the frame
    :
    :                ; Body of function
    :
    ADD.W     #2,SP   ; Deallocate the frame
    POP      r9      ; Restore SOE registers
    POP      r10
    RET                ; Return

```

6.4.3 Accessing Arguments and Local Variables

A function accesses its local nonregister variables and stack arguments indirectly through the stack pointer (SP or R1). The SP always points to the top of the stack (the most recently pushed value).

Since the stack grows toward smaller addresses, the local data on the stack for the C/C++ function is accessed with a positive offset from the SP register.

6.5 Accessing Linker Symbols in C and C++

See the section on "Using Linker Symbols in C/C++ Applications" in the *MSP430 Assembly Language Tools User's Guide* for information about referring to linker symbols in C/C++ code.

6.6 Interfacing C and C++ With Assembly Language

The following are ways to use assembly language with C/C++ code:

- Use separate modules of assembled code and link them with compiled C/C++ modules (see [Section 6.6.1](#)).
- Use assembly language variables and constants in C/C++ source (see [Section 6.6.3](#)).
- Use inline assembly language embedded directly in the C/C++ source (see [Section 6.6.5](#)).

6.6.1 Using Assembly Language Modules With C/C++ Code

Interfacing C/C++ with assembly language functions is straightforward if you follow the calling conventions defined in [Section 6.4](#), and the register conventions defined in [Section 6.3](#). C/C++ code can access variables and call functions defined in assembly language, and assembly code can access C/C++ variables and call C/C++ functions.

Follow these guidelines to interface assembly language and C:

- You must preserve any dedicated registers modified by a function. Dedicated registers include:
 - Save-on-entry registers (R4-R10)
 - Stack pointer (SP or R1)

If the SP is used normally, it does not need to be explicitly preserved. In other words, the assembly function is free to use the stack as long as anything that is pushed onto the stack is popped back off before the function returns (thus preserving SP).

Any register that is not dedicated can be used freely without first being saved.

- Interrupt routines must save *all* the registers they use. For more information, see [Section 6.7](#).
- When you call a C/C++ function from assembly language, load the designated registers with arguments and push the remaining arguments onto the stack as described in [Section 6.4.1](#).

Remember that a function can alter any register not designated as being preserved without having to restore it. If the contents of any of these registers must be preserved across the call, you must explicitly save them.

- Functions must return values correctly according to their C/C++ declarations. Double values are returned in R12 and R13, and structures are returned as described in Step 2 of [Section 6.4.1](#). Any other values are returned in R12.

- No assembly module should use the `.cinit` section for any purpose other than autoinitialization of global variables. The C/C++ startup routine assumes that the `.cinit` section consists *entirely* of initialization tables. Disrupting the tables by putting other information in `.cinit` can cause unpredictable results.
- The compiler assigns linknames to all external objects. Thus, when you write assembly language code, you must use the same linknames as those assigned by the compiler. See [Section 5.14](#) for details.
- Any object or function declared in assembly language that is accessed or called from C/C++ must be declared with the `.def` or `.global` directive in the assembly language modifier. This declares the symbol as external and allows the linker to resolve references to it.

Likewise, to access a C/C++ function or object from assembly language, declare the C/C++ object with the `.ref` or `.global` directive in the assembly language module. This creates an undeclared external reference that the linker resolves.

- Any assembly routines that interface with MSP430x C programs are required to conform to the large-code model:
 - Use `CALLA/RETA` instead of `CALL/RET`
 - Use `PUSHM.A/POPM.A` to save and restore any used save-on-entry registers. The entire 20-bit register must be saved/restored.
 - Manipulation of function pointers requires 20-bit operations (`OP.A`)
 - If interfacing with C code compiled for the large-data model, data pointer manipulation must be performed using 20-bit operations (`OP.A`).

6.6.2 Accessing Assembly Language Functions From C/C++

Functions defined in C++ that will be called from assembly should be defined as extern "C" in the C++ file. Functions defined in assembly that will be called from C++ must be prototyped as extern "C" in C++.

[Example 6-2](#) illustrates a C++ function called `main`, which calls an assembly language function called `asmfunc`, [Example 6-3](#). The `asmfunc` function takes its single argument, adds it to the C++ global variable called `gvar`, and returns the result.

Example 6-2. Calling an Assembly Language Function From a C/C++ Program

```
extern "C" {
extern int asmfunc(int a); /* declare external asm function */
int gvar = 0;             /* define global variable      */
}
void main()
{
    int var = 5;
    var = asmfunc(var);   /* call function normally      */
}
```

Example 6-3. Assembly Language Program Called by Example 6-2

```
.global asmfunc
.global gvar
asmfunc:
    MOV    &gvar,R11
    ADD   R11,R12
    RET
```

In the C++ program in [Example 6-2](#), the `extern "C"` declaration tells the compiler to use C naming conventions (i.e., no name mangling). When the linker resolves the `.global asmfunc` reference, the corresponding definition in the assembly file will match.

The parameter `var` is passed in R12, and the result is returned in R12.

6.6.3 Accessing Assembly Language Variables From C/C++

It is sometimes useful for a C/C++ program to access variables or constants defined in assembly language. There are several methods that you can use to accomplish this, depending on where and how the item is defined: a variable defined in the .bss section, a variable not defined in the .bss section, or a linker symbol.

6.6.3.1 Accessing Assembly Language Global Variables

Accessing variables from the .bss section or a section named with .usect is straightforward:

1. Use the .bss or .usect directive to define the variable.
2. Use the .def or .global directive to make the definition external.
3. Use the appropriate linkname in assembly language.
4. In C/C++, declare the variable as *extern* and access it normally.

[Example 6-5](#) and [Example 6-4](#) show how you can access a variable defined in .bss.

Example 6-4. Assembly Language Variable Program

```
.bss    var,4,4    ; Define the variable
.global var      ; Declare it as external
```

Example 6-5. C Program to Access Assembly Language From [Example 6-4](#)

```
extern int var;      /* External variable */
var = 1;            /* Use the variable */
```

6.6.3.2 Accessing Assembly Language Constants

You can define global constants in assembly language by using the .set directive in combination with either the .def or .global directive, or you can define them in a linker command file using a linker assignment statement. These constants are accessible from C/C++ only with the use of special operators.

For **variables** defined in C/C++ or assembly language, the symbol table contains the *address of the value* contained by the variable. When you access an assembly variable by name from C/C++, the compiler gets the value using the address in the symbol table.

For **assembly constants**, however, the symbol table contains the actual *value* of the constant. The compiler cannot tell which items in the symbol table are addresses and which are values. If you access an assembly (or linker) constant by name, the compiler tries to use the value in the symbol table as an address to fetch a value. To prevent this behavior, you must use the & (address of) operator to get the value (`_symval`). In other words, if `x` is an assembly language constant, its value in C/C++ is `&x`. See the section on "Using Linker Symbols in C/C++ Applications" in the *MSP430 Assembly Language Tools User's Guide* for more examples that use `_symval`.

For more about symbols and the symbol table, refer to the section on "Symbols" in the *MSP430 Assembly Language Tools User's Guide*.

You can use casts and `#defines` to ease the use of these symbols in your program, as in [Example 6-6](#) and [Example 6-7](#).

Example 6-6. Accessing an Assembly Language Constant From C

```
extern int table_size;      /*external ref */
#define TABLE_SIZE ((int) _symval(&table_size)) /* use cast to hide address-of */
for (I=0; i<TABLE_SIZE; ++I) /* use like normal symbol */
```

Example 6-7. Assembly Language Program for Example 6-6

```
table_size .set10000      ; define the constant
           .global _table_size ; make it global
```

Because you are referencing only the symbol's value as stored in the symbol table, the symbol's declared type is unimportant. In [Example 6-6](#), `int` is used. You can reference linker-defined symbols in a similar manner.

6.6.4 Sharing C/C++ Header Files With Assembly Source

You can use the `.cdecls` assembler directive to share C headers containing declarations and prototypes between C and assembly code. Any legal C/C++ can be used in a `.cdecls` block and the C/C++ declarations will cause suitable assembly to be generated automatically, allowing you to reference the C/C++ constructs in assembly code. For more information, see the C/C++ header files chapter in the *MSP430 Assembly Language Tools User's Guide*.

6.6.5 Using Inline Assembly Language

Within a C/C++ program, you can use the `asm` statement to insert a single line of assembly language into the assembly language file created by the compiler. A series of `asm` statements places sequential lines of assembly language into the compiler output with no intervening code. For more information, see [Section 5.10](#).

The `asm` statement is useful for inserting comments in the compiler output. Simply start the assembly code string with a semicolon (;) as shown below:

```
asm(" ;*** this is an assembly language comment");
```

Note

Using the `asm` Statement: Keep the following in mind when using the `asm` statement:

- Be extremely careful not to disrupt the C/C++ environment. The compiler does not check or analyze the inserted instructions.
- Avoid inserting jumps or labels into C/C++ code because they can produce unpredictable results by confusing the register-tracking algorithms that the code generator uses.
- Do not change the value of a C/C++ variable when using an `asm` statement. This is because the compiler does not verify such statements. They are inserted as is into the assembly code, and potentially can cause problems if you are not sure of their effect.
- Do not use the `asm` statement to insert assembler directives that change the assembly environment.
- Avoid creating assembly macros in C code and compiling with the `--symdebug:dwarf` (or `-g`) option. The C environment's debug information and the assembly macro expansion are not compatible.

6.7 Interrupt Handling

As long as you follow the guidelines in this section, you can interrupt and return to C/C++ code without disrupting the C/C++ environment. When the C/C++ environment is initialized, the startup routine does not enable or disable interrupts. If the system is initialized by way of a hardware reset, interrupts are disabled. If your system uses interrupts, you must handle any required enabling or masking of interrupts. Such operations have no effect on the C/C++ environment and are easily incorporated with `asm` statements or calling an assembly language function.

6.7.1 Saving Registers During Interrupts

When C/C++ code is interrupted, the interrupt routine must preserve the contents of all machine registers that are used by the routine or by any functions called by the routine. Register preservation must be explicitly handled by the interrupt routine.

6.7.2 Using C/C++ Interrupt Routines

A C/C++ interrupt routine is like any other C/C++ function in that it can have local variables and register variables. Except for software interrupt routines, an interrupt routine must be declared with no arguments and must return void. For example:

```
__interrupt void example (void)
{
    ...
}
```

If a C/C++ interrupt routine does not call any other functions, only those registers that the interrupt handler uses are saved and restored. However, if a C/C++ interrupt routine does call other functions, these functions can modify unknown registers that the interrupt handler does not use. For this reason, the routine saves all the save-on-call registers if any other functions are called. (This excludes banked registers.) Do not call interrupt handling functions directly.

Interrupts can be handled directly with C/C++ functions by using the INTERRUPT pragma or the `__interrupt` keyword. For information, see [Section 5.11.19](#) and [Section 5.7.2](#), respectively.

6.7.3 Using Assembly Language Interrupt Routines

You can handle interrupts with assembly language code as long as you follow the same register conventions the compiler does. Like all assembly functions, interrupt routines can use the stack (16-bit limit), access global C/C++ variables, and call C/C++ functions normally. When calling C/C++ functions, be sure that any save-on-call registers are preserved before the call because the C/C++ function can modify any of these registers. You do not need to save save-on-entry registers because they are preserved by the called C/C++ function.

6.7.4 Interrupt Vectors

The interrupt vectors for the MSP430 and MSP430X devices are 16 bits. Therefore, interrupt service routines (ISRs) must be placed into the low 64K of memory. Convenience macros are provided in the MSP430X device headers file to declare interrupts to ensure 16-bit placement when linking.

Alternatively, use the `CODE_SECTIONS` pragma to place the code for ISRs into sections separate from the default `.text` sections. Use the linker command file and the `SECTIONS` directive to ensure the code sections associated with ISRs are placed into low memory.

If you do not specify an ISR for some interrupt vectors, an ISR will be provided for those vectors from the RTS library and the RTS library will automatically be linked with your application. The default ISR puts the device in low power mode. You can override the ISR provided by the RTS with the pragma `vector` and the `unused_interrupts` keyword as shown in [Section 5.11.29](#).

6.7.5 Other Interrupt Information

An interrupt routine can perform any task performed by any other function, including accessing global variables, allocating local variables, and calling other functions.

When you write interrupt routines, keep the following points in mind:

- It is your responsibility to handle any special masking of interrupts.
- A C/C++ interrupt routine cannot be called directly from C/C++ code. You need to arrange for an interrupt signal to happen.
- In a system reset interrupt, such as `_c_int00`, you cannot assume that the run-time environment is set up; therefore, you *cannot allocate local variables*, and you *cannot save any information on the run-time stack*.

6.8 Using Intrinsic Functions to Access Assembly Language Statements

The compiler recognizes a number of intrinsic operators. Intrinsic functions are used like functions and produce assembly language statements that would otherwise be inexpressible in C/C++. You can use C/C++ variables with these intrinsic functions, just as you would with any normal function. The intrinsic functions are specified with a double leading underscore, and are accessed by calling them as you do a function. (Both single and double leading underscores can be used with intrinsic functions, but a double underscore is preferred. For example:

```
short state;
:
state = __get_SR_register();
```

No declaration of the intrinsic functions is necessary.

6.8.1 MSP430 Intrinsic Functions

[Table 6-5](#) lists all of the intrinsic operators in the MSP430 C/C++ compiler. A function-like prototype is presented for each intrinsic that shows the expected type for each parameter. If the argument type does not match the parameter, type conversions are performed on the argument. The `intrinsic.h` file in the compiler's "include" directory contains function-like prototypes for all supported intrinsic functions.

For more information on the resulting assembly language mnemonics, see the *MSP430x1xx Family User's Guide*, the *MSP430x3xx Family User's Guide*, and the *MSP430x4xx Family User's Guide*.

Table 6-5. MSP430 Intrinsic Functions

Intrinsic	Generated Assembly
unsigned short <code>__bcd_add_short(unsigned short op1, unsigned short op2);</code>	MOV <i>op1, dst</i> CLRC DADD <i>op2, dst</i>
unsigned long <code>__bcd_add_long(unsigned long op1, unsigned long op2);</code>	MOV <i>op1_low, dst_low</i> MOV <i>op1_hi, dst_hi</i> CLRC DADD <i>op2_low, dst_low</i> DADD <i>op2_hi, dst_hi</i>
unsigned short <code>__bic_SR_register(unsigned short mask);</code>	BIC <i>mask, SR</i>
unsigned short <code>__bic_SR_register_on_exit(unsigned short mask);</code>	BIC <i>mask, saved_SR</i>
unsigned short <code>__bis_SR_register(unsigned short mask);</code>	BIS <i>mask, SR</i>
unsigned short <code>__bis_SR_register_on_exit(unsigned short mask);</code>	BIS <i>mask, saved_SR</i>
unsigned long <code>__data16_read_addr(unsigned short addr);</code>	MOV.W <i>addr, Rx</i> MOVA 0(<i>Rx</i>), <i>dst</i>
void <code>__data16_write_addr (unsigned short addr, unsigned long src);</code>	MOV.W <i>addr, Rx</i> MOVA <i>src, 0(Rx)</i>
unsigned char <code>__data20_read_char(unsigned long addr);⁽¹⁾</code>	MOVA <i>addr, Rx</i> MOVX.B 0(<i>Rx</i>), <i>dst</i>
unsigned long <code>__data20_read_long(unsigned long addr);⁽¹⁾</code>	MOVA <i>addr, Rx</i> MOVX.W 0(<i>Rx</i>), <i>dst.lo</i> MOVX.W 2(<i>Rx</i>), <i>dst.hi</i>
unsigned short <code>__data20_read_short(unsigned long addr);⁽¹⁾</code>	MOVA <i>addr, Rx</i> MOVX.W 0(<i>Rx</i>), <i>dst</i>
void <code>__data20_write_char(unsigned long addr, unsigned char src);⁽¹⁾</code>	MOVA <i>addr, Rx</i> MOVX.B <i>src, 0(Rx)</i>
void <code>__data20_write_long(unsigned long addr, unsigned long src);⁽¹⁾</code>	MOVA <i>addr, Rx</i> MOVX.W <i>src.lo, 0(Rx)</i> MOVX.W <i>src.hi, 2(Rx)</i>
void <code>__data20_write_short(unsigned long addr, unsigned short src);⁽¹⁾</code>	MOVA <i>addr, Rx</i> MOVX.W <i>src, 0(Rx)</i>
void <code>__delay_cycles(unsigned long);</code>	See Section 6.8.3 .

Table 6-5. MSP430 Intrinsics (continued)

Intrinsic	Generated Assembly
void __disable_interrupt(void); OR __disable_interrupts(void);	DINT
void __enable_interrupt(void); OR __enable_interrupts(void);	EINT
unsigned int __even_in_range(unsigned int, unsigned int);	See Section 5.11.29 .
unsigned short __get_interrupt_state(void);	MOV SR, <i>dst</i>
unsigned short __get_R4_register(void); /* deprecated */	MOV.W R4, <i>dst</i>
unsigned short __get_R5_register(void); /* deprecated */	MOV.W R5, <i>dst</i>
unsigned short __get_SP_register(void);	MOV SP, <i>dst</i>
unsigned short __get_SR_register(void);	MOV SR, <i>dst</i>
unsigned short __get_SR_register_on_exit(void);	MOV saved_SR, <i>dst</i>
void __low_power_mode_0(void);	BIS.W #0x18, SR
void __low_power_mode_1(void);	BIS.W #0x58, SR
void __low_power_mode_2(void);	BIS.W #0x98, SR
void __low_power_mode_3(void);	BIS.W #0xD8, SR
void __low_power_mode_4(void);	BIS.W #0xF8, SR
void __low_power_mode_off_on_exit(void);	BIC.W #0xF0, saved_SR
void __never_executed(void);	See Section 6.8.4 .
void __no_operation(void);	NOP
void __op_code(unsigned short);	Encodes whatever instruction corresponds to the argument.
short __saturated_add_signed_short(short <i>src1</i> , short <i>src2</i>);	Instructions to perform saturated addition on short values. Values outside the range of a signed short are capped at the maximum or minimum value as appropriate.
long __saturated_add_signed_long(long <i>src1</i> , long <i>src2</i>);	Instructions to perform saturated addition on long values. Values outside the range of a signed long are capped at the maximum or minimum value as appropriate.
short __saturated_sub_signed_short(short <i>src1</i> , short <i>src2</i>);	Instructions to perform saturated subtraction on short values. Values outside the range of a signed short are capped at the maximum or minimum value as appropriate.
long __saturated_sub_signed_long(long <i>src1</i> , long <i>src2</i>);	Instructions to perform saturated subtraction on long values. Values outside the range of a signed long are capped at the maximum or minimum value as appropriate.
void __set_interrupt_state(unsigned short <i>src</i>);	MOV <i>src</i> , SR
void __set_R4_register(unsigned short <i>src</i>); /* deprecated */	MOV.W <i>src</i> , R4
void __set_R5_register(unsigned short <i>src</i>); /* deprecated */	MOV.W <i>src</i> , R5
void __set_SP_register(unsigned short <i>src</i>);	MOV <i>src</i> , SP
unsigned short __swap_bytes(unsigned short <i>src</i>);	MOV <i>src</i> , <i>dst</i> SWPB <i>dst</i>

(1) Intrinsic encodes multiple instructions depending on the code. The most common instructions produced are presented here.

6.8.2 Deprecated Intrinsic

The following intrinsics have been deprecated. Using them is not recommended, because they may not be supported in future releases.

Table 6-6. Deprecated Intrinsic

Intrinsic
__get_R4_register
__get_R5_register
__set_R4_register
__set_R5_register

6.8.3 The __delay_cycle Intrinsic

The __delay_cycles intrinsic inserts code to consume precisely the number of specified cycles with no side effects. The number of cycles delayed must be a compile-time constant.

6.8.4 The __never_executed Intrinsic

The MSP430 C/C++ Compiler supports a __never_executed() intrinsic that can be used to assert that a default label in a switch block is never executed. If you assert that a default label is never executed the compiler can generate more efficient code based on the values specified in the case labels within a switch block.

6.8.4.1 Using __never_executed With a Vector Generator

The __never_executed() intrinsic is specifically useful for testing the values of an MSP430 interrupt vector generator such as the vector generator for Timer A (TAIV). MSP430 vector generator values are mapped to an interrupt source and are characterized in that they fall within a specific range and can only take on even values. A common way to handle a particular interrupt source represented in a vector generator is to use a switch statement. However, a compiler is constrained by the C language in that it can make no assumptions about what values a switch expression may have. The compiler will have to generate code to handle every possible value, which leads to what would appear to be inefficient code.

The __never_executed() intrinsic can be used to assert to the compiler that a switch expression can only take on values represented by the case labels within a switch block. Having this assertion, the compiler can avoid generating test code for handling values not specified by the switch case labels. Having this assertion is specifically suited for handling values that characterize a vector generator.

[Example 6-8](#) illustrates a switch block that handles the values of the Timer B (TBIV) vector generator.

Example 6-8. TBIV Vector Generator

```

__interrupt void Timer_B1 (void)
{
    switch( TBIV )
    {
        case 0: break; /* Do nothing */
        case 2: TBCCR1 += 255;
                state +=1;
                break;
        case 4: TBCCR0 = 254;
                TBCCR1 = 159;
                state =200;
                break;
        case 6: break;
        case 8: break;
        case 10: break;
        case 12: break;
        case 14: break;
        default: __never_executed();
    }
}

```

In [Example 6-8](#) using the `__never_executed()` intrinsic asserts that the value of TBIV can only take on the values specified by the case labels, namely the even values from 0 to 14. Normally, the compiler would have to generate code to handle any value which would result in extra range checks. Instead, for this example, the compiler will generate a switch table where the value of TBIV is simply added to the PC to jump to the appropriate code block handling each value represented by the case labels.

6.8.4.2 Using `__never_executed` With General Switch Expressions

Using the `__never_executed()` intrinsic at the default label can also improve the generated switch code for more general switch expressions that do not involve vector generator type values.

Example 6-9. General Switch Statement

```
switch( val)
{
  case 0:
  case 5: action(a); break;
  case 14: action(b); break;
  default: __never_executed();
}
```

Normally, for the switch expression values 0 and 5, the compiler generates code to test for both 0 and 5 since the compiler must handle the possible values 1–4. The `__never_executed()` intrinsic in [Example 6-9](#) asserts that `val` cannot take on the values 1–4 and therefore the compiler only needs to generate a single test (`val < 6`) to handle both case labels.

Additionally, using the `__never_executed()` intrinsic results in the assertion that if `val` is not 0 or 5 then it has to be 14 and the compiler has no need to generate code to test for `val == 14`.

The `__never_executed()` intrinsic is only defined when specified as the single statement following a default case label. The compiler ignores the use of the intrinsic in any other context.

6.9 System Initialization

Before you can run a C/C++ program, you must create the C/C++ run-time environment. The C/C++ boot routine performs this task using a function called `_c_int00`. The run-time-support source library, `rts.src`, contains the source to this routine in a module named `boot.c` (or `boot.asm`).

To begin running the system, the `_c_int00` function can be called by reset hardware. You must link the `_c_int00` function with the other object files. This occurs automatically when you use the `--rom_model` or `--ram_model` link option and include a standard run-time-support library as one of the linker input files.

When C/C++ programs are linked, the linker sets the entry point value in the executable output file to the symbol `_c_int00`.

The `_c_int00` function performs the following tasks to initialize the environment:

1. Reserves space for the user mode run-time stack, and sets up the initial value of the stack pointer (SP)
2. It initializes global variables by copying the data from the initialization tables to the storage allocated for the variables in the `.bss` section. If you are initializing variables at load time (`--ram_model` option), a loader performs this step before the program runs (it is not performed by the boot routine). For more information, see [Section 6.9.3](#).
3. Executes the global constructors found in the global constructors table. For more information, see [Section 6.9.3.6](#).
4. Calls the `main()` function to run the C/C++ program

You can replace or modify the boot routine to meet your system requirements. However, the boot routine *must* perform the operations listed above to correctly initialize the C/C++ environment.

6.9.1 Boot Hook Functions for System Pre-Initialization

Boot hooks are points at which you may insert application functions into the C/C++ boot process. Default boot hook functions are provided with the run-time support (RTS) library. However, you can implement customized versions of these boot hook functions, which override the default boot hook functions in the RTS library if they are linked before the run-time library. Such functions can perform any application-specific initialization before continuing with the C/C++ environment setup.

Note that the TI-RTOS operating system uses custom versions of the boot hook functions for system setup, so you should be careful about overriding these functions if you are using TI-RTOS.

The following boot hook functions are available:

_system_pre_init(): This function provides a place to perform application-specific initialization. It is invoked after the stack pointer is initialized but before any C/C++ environment setup is performed. By default, `_system_pre_init()` should return a non-zero value. The default C/C++ environment setup is bypassed if `_system_pre_init()` returns 0.

_system_post_cinit(): This function is invoked during C/C++ environment setup, after C/C++ global data is initialized but before any C++ constructors are called. This function should not return a value.

The `_c_int00()` initialization routine also provides a mechanism for an application to perform the setup (set I/O registers, enable/disable timers, etc.) before the C/C++ environment is initialized.

6.9.2 Run-Time Stack

The run-time stack is allocated in a single continuous block of memory and grows down from high addresses to lower addresses. The SP points to the top of the stack.

The code does not check to see if the run-time stack overflows. Stack overflow occurs when the stack grows beyond the limits of the memory space that was allocated for it. Be sure to allocate adequate memory for the stack.

The stack size can be changed at link time by using the `--stack_size` link option on the linker command line and specifying the stack size as a constant directly after the option.

The C/C++ boot routine shipped with the compiler sets up the user/thread mode run-time stack. If your program uses a run-time stack when it is in other operating modes, you must also allocate space and set up the run-time stack corresponding to those modes.

6.9.3 Automatic Initialization of Variables

Any global variables declared as preinitialized must have initial values assigned to them before a C/C++ program starts running. The process of retrieving these variables' data and initializing the variables with the data is called autoinitialization. Internally, the compiler and linker coordinate to produce compressed initialization tables. Your code should not access the initialization table.

6.9.3.1 Zero Initializing Variables

In ANSI C, global and static variables that are not explicitly initialized must be set to 0 before program execution. The C/C++ compiler supports preinitialization of uninitialized variables by default. This can be turned off by specifying the linker option `--zero_init=off`.

Zero initialization takes place only if the `--rom_model` linker option, which causes autoinitialization to occur, is used. If you use the `--ram_model` option for linking, the linker does not generate initialization records, and the loader must handle both data and zero initialization.

6.9.3.2 Direct Initialization

The compiler uses direct initialization to initialize global variables. For example, consider the following C code:

```
int i    = 23;
int a[5] = { 1, 2, 3, 4, 5 };
```

The compiler allocates the variables 'i' and 'a[]' to .data section and the initial values are placed directly.

```

.global i
.data
.align 4
i:
.field      23,32          ; i @ 0
.global a
.data
.align 4
a:
.field      1,32          ; a[0] @ 0
.field      2,32          ; a[1] @ 32
.field      3,32          ; a[2] @ 64
.field      4,32          ; a[3] @ 96
.field      5,32          ; a[4] @ 128

```

Each compiled module that defines static or global variables contains these .data sections. The linker treats the .data section like any other initialized section and creates an output section. In the load-time initialization model, the sections are loaded into memory and used by the program. See [Section 6.9.3.5](#).

In the run-time initialization model, the linker uses the data in these sections to create initialization data and an additional compressed initialization table. The boot routine processes the initialization table to copy data from load addresses to run addresses. See [Section 6.9.3.3](#).

6.9.3.3 Autoinitialization of Variables at Run Time

Autoinitializing variables at run time is the default method of autoinitialization. To use this method, invoke the linker with the `--rom_model` option.

Using this method, the linker creates a compressed initialization table and initialization data from the direct initialized sections in the compiled module. The table and data are used by the C/C++ boot routine to initialize variables in RAM using the table and data in ROM.

[Figure 6-3](#) illustrates autoinitialization at run time. Use this method in any system where your application runs from code burned into ROM.

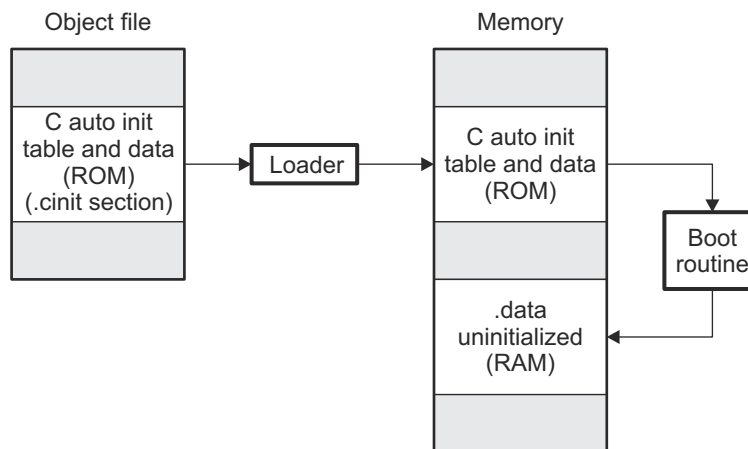


Figure 6-3. Autoinitialization at Run Time

6.9.3.4 Autoinitialization Tables

The compiled object files do not have initialization tables. The variables are initialized directly. The linker, when the `--rom_model` option is specified, creates C auto initialization table and the initialization data. The linker creates both the table and the initialization data in an output section named `.cinit`.

The autoinitialization table has the following format:

`__TI_CINIT_Base:`

32-bit load address	32-bit run address
⋮	⋮
32-bit load address	32-bit run address

`__TI_CINIT_Limit:`

The linker defined symbols `__TI_CINIT_Base` and `__TI_CINIT_Limit` point to the start and end of the table, respectively. Each entry in this table corresponds to one output section that needs to be initialized. The initialization data for each output section could be encoded using different encoding.

The load address in the C auto initialization record points to initialization data with the following format:

8-bit index	Encoded data
-------------	--------------

The first 8-bits of the initialization data is the handler index. It indexes into a handler table to get the address of a handler function that knows how to decode the following data.

The handler table is a list of 32-bit function pointers.

`__TI_Handler_Table_Base:`

32-bit handler 1 address
⋮
32-bit handler n address

`__TI_Handler_Table_Limit:`

The *encoded data* that follows the 8-bit index can be in one of the following format types. For clarity the 8-bit index is also depicted for each format.

6.9.3.4.1 Length Followed by Data Format

8-bit index	24-bit padding	32-bit length (N)	N byte initialization data (not compressed)
-------------	----------------	-------------------	---

The compiler uses 24-bit padding to align the length field to a 32-bit boundary. The 32-bit length field encodes the length of the initialization data in bytes (N). N byte initialization data is not compressed and is copied to the run address as is.

The run-time support library has a function `__TI_zero_init()` to process this type of initialization data. The first argument to this function is the address pointing to the byte after the 8-bit index. The second argument is the run address from the C auto initialization record.

6.9.3.4.2 Zero Initialization Format

8-bit index	24-bit padding	32-bit length (N)
-------------	----------------	-------------------

The compiler uses 24-bit padding to align the length field to a 32-bit boundary. The 32-bit length field encodes the number of bytes to be zero initialized.

The run-time support library has a function `__TI_zero_init()` to process the zero initialization. The first argument to this function is the address pointing to the byte after the 8-bit index. The second argument is the run address from the C auto initialization record.

6.9.3.4.3 Run Length Encoded (RLE) Format

8-bit index	Initialization data compressed using run length encoding
-------------	--

The data following the 8-bit index is compressed using Run Length Encoded (RLE) format. uses a simple run length encoding that can be decompressed using the following algorithm:

1. Read the first byte, Delimiter (D).
2. Read the next byte (B).
3. If $B \neq D$, copy B to the output buffer and go to step 2.
4. Read the next byte (L).
 - a. If $L == 0$, then length is either a 16-bit, a 24-bit value, or we've reached the end of the data, read next byte (L).
 - i. If $L == 0$, length is a 24-bit value or the end of the data is reached, read next byte (L).
 1. If $L == 0$, the end of the data is reached, go to step 7.
 2. Else $L \leq 16$, read next two bytes into lower 16 bits of L to complete 24-bit value for L.
 - ii. Else $L \leq 8$, read next byte into lower 8 bits of L to complete 16-bit value for L.
 - b. Else if $L > 0$ and $L < 4$, copy D to the output buffer L times. Go to step 2.
 - c. Else, length is 8-bit value (L).
5. Read the next byte (C); C is the repeat character.
6. Write C to the output buffer L times; go to step 2.
7. End of processing.

The run-time support library has a routine `__TI_decompress_rle24()` to decompress data compressed using RLE. The first argument to this function is the address pointing to the byte after the 8-bit index. The second argument is the run address from the C auto initialization record.

Note

RLE Decompression Routine

The previous decompression routine, `__TI_decompress_rle()`, is included in the run-time-support library for decompressing RLE encodings generated by older versions of the linker.

6.9.3.4.4 Lempel-Ziv-Storer-Szymanski Compression (LZSS) Format

8-bit index	Initialization data compressed using LZSS
-------------	---

The data following the 8-bit index is compressed using LZSS compression. The run-time support library has the routine `__TI_decompress_lzss()` to decompress the data compressed using LZSS. The first argument to this function is the address pointing to the byte after the 8-bit index. The second argument is the run address from the C auto initialization record.

6.9.3.5 Initialization of Variables at Load Time

Initialization of variables at load time enhances performance by reducing boot time and by saving the memory used by the initialization tables. To use this method, invoke the linker with the `--ram_model` option.

When you use the `--ram_model` link option, the linker does not generate C autoinitialization tables and data. The direct initialized sections (.data) in the compiled object files are combined according to the linker command file to generate initialized output sections. The loader loads the initialized output sections into memory. After the load, the variables are assigned their initial values.

Since the linker does not generate the C autoinitialization tables, no boot time initialization is performed.

Figure 6-4 illustrates the initialization of variables at load time.

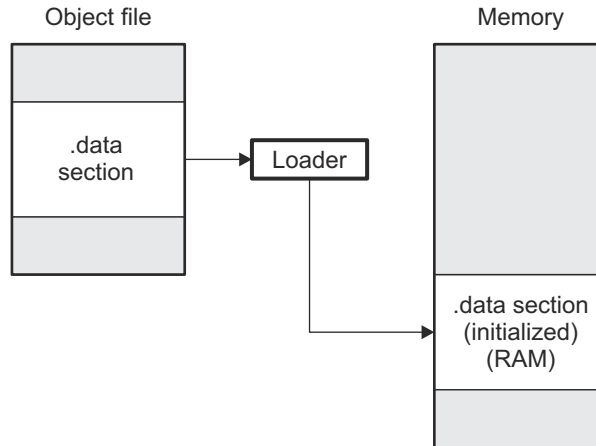


Figure 6-4. Initialization at Load Time

6.9.3.6 Global Constructors

All global C++ variables that have constructors must have their constructor called before `main()`. The compiler builds a table of global constructor addresses that must be called, in order, before `main()` in a section called `.init_array`. The linker combines the `.init_array` section from each input file to form a single table in the `.init_array` section. The boot routine uses this table to execute the constructors. The linker defines two symbols to identify the combined `.init_array` table as shown below. This table is not null terminated by the linker.

`__TI_INITARRAY_Base:`

Address of constructor 1
Address of constructor 2
⋮
Address of constructor n

`__TI_INITARRAY_Limit:`

Figure 6-5. Constructor Table

6.9.4 Initialization Tables

The tables in the `.cinit` section consist of variable-size initialization records. Each variable that must be autoinitialized has a record in the `.cinit` section. Figure 6-6 shows the format of the `.cinit` section and the initialization records.

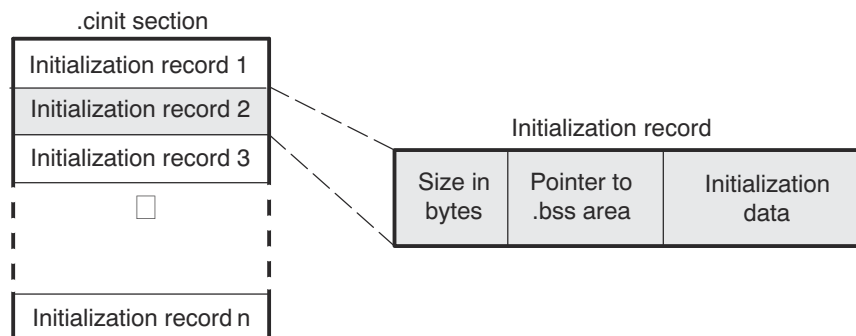


Figure 6-6. Format of Initialization Records in the `.cinit` Section

The fields of an initialization record contain the following information:

- The first field of an initialization record contains the size (in bytes) of the initialization data.
- The second field contains the starting address of the area within the `.bss` section where the initialization data must be copied.
- The third field contains the data that is copied into the `.bss` section to initialize the variable.

Each variable that must be autoinitialized has an initialization record in the `.cinit` section.

The following example shows initialized global variables defined in C.

```
int x;
short i = 23;
int *p =
int a[5] = {1,2,3,4,5};
```


The corresponding initialization table is as follows. The section `.cinit:c` is a subsection in the `.cinit` section that contains all scalar data. The subsection is handled as one record during initialization, which minimizes the overall size of the `.cinit` section.

```

.global _x
.bss _x,4,4
.sect ".cinit:c"
.align 8
.field (CIR - $) - 8, 32
.field _I+0,32
.field 23,16 ; _I @ 0
.sect ".text"
.global _I
_I: .usect ".bss:c",2,2
.sect ".cinit:c"
.align 4
.field _x,32 ; _p @ 0
.sect ".text"
.global _p
_p: .usect ".bss:c",4,4
.sect ".cinit"
.align 8
.field IR_1,32
.field _a+0,32
.field 1,32 ; _a[0] @ 0
.field 2,32 ; _a[1] @ 32
.field 3,32 ; _a[2] @ 64
.field 4,32 ; _a[3] @ 96
.field 5,32 ; _a[4] @ 128
IR_1: .set 20
.sect ".text"
.global _a
.bss _a,20,4
;*****
;* MARK THE END OF THE SCALAR INIT RECORD IN CINIT:C *
;*****
CIR: .sect ".cinit:c"

```

The `.cinit` section must contain only initialization tables in this format. When interfacing assembly language modules, do not use the `.cinit` section for any other purpose.

The table in the `.pinit` section simply consists of a list of addresses of constructors to be called (as shown in the following figure). The constructors appear in the table after the `.cinit` initialization.

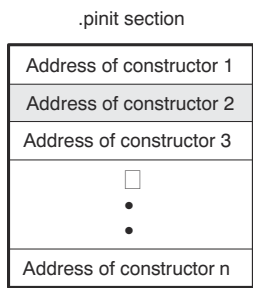


Figure 6-7. Format of Initialization Records in the `.pinit` Section

When you use the `--rom_model` or `--ram_model` option, the linker combines the `.cinit` sections from all the C/C++ modules and appends a null word to the end of the composite `.cinit` section. This terminating record appears as a record with a size field of 0 and marks the end of the initialization tables.

Likewise, the `--rom_model` or `--ram_model` link option causes the linker to combine all of the `.pinit` sections from all C/C++ modules and append a null word to the end of the composite `.pinit` section. The boot routine knows the end of the global constructor table when it encounters a null constructor address.

The `const`-qualified variables are initialized differently; see [Section 5.7.1](#).

6.10 Compiling for 20-Bit MSP430X Devices

The MSP430 tools support compiling and linking code for MSP430 and MSP430X (MSP430X) devices. See the following for more information on options and topics that apply to compiling for the MSP430X devices:

- Use the `--silicon_version=mspx` option to compile for MSP430X devices. See [Section 2.3.4](#).
- Function pointers are 20-bits. See [Section 5.5](#) and [Table 6-2](#).
- The compiler supports a large-code memory model while generating code for MSP430X devices. See [Section 6.1.1](#).
- The compiler supports a large-data memory model while generating code for MSP430X devices. See [Section 6.1.2](#).
- Any assembly routines that interface with MSP430X C programs must fit the large code model. See [Section 6.6.1](#).
- Interrupt service routines must be placed into low memory. See [Section 6.7.4](#).
- Link with the `rts430x.lib` or `rts430x_eh.lib` run-time-support library.

Using Run-Time-Support Functions and Building Libraries



Some of the features of C/C++ (such as I/O, dynamic memory allocation, string operations, and trigonometric functions) are provided as an ANSI/ISO C/C++ standard library, rather than as part of the compiler itself. The TI implementation of this library is the run-time-support library (RTS). The C/C++ compiler implements the ISO standard library except for those facilities that handle exception conditions, signal and locale issues (properties that depend on local language, nationality, or culture). Using the ANSI/ISO standard library ensures a consistent set of functions that provide for greater portability.

In addition to the ANSI/ISO-specified functions, the run-time-support library includes routines that give you processor-specific commands and direct C language I/O requests. These are detailed in [Section 7.1](#) and [Section 7.2](#).

A library-build utility is provided with the code generation tools that lets you create customized run-time-support libraries. This process is described in [Section 7.4](#).

7.1 C and C++ Run-Time Support Libraries	148
7.2 The C I/O Functions	150
7.3 Handling Reentrancy (_register_lock() and _register_unlock() Functions)	162
7.4 Library-Build Process	163

7.1 C and C++ Run-Time Support Libraries

MSP430 compiler releases include pre-built run-time support (RTS) libraries that provide all the standard capabilities. Separate libraries are provided for each ABI and C++ exception support. See [Section 7.1.8](#) for information on the library-naming conventions.

The run-time-support library contains the following:

- ANSI/ISO C/C++ standard library
- C I/O library
- Low-level support functions that provide I/O to the host operating system
- Fundamental arithmetic routines
- System startup routine, `_c_int00`
- Compiler helper functions (to support language features that are not directly efficiently expressible in C/C++)

The run-time-support libraries do not contain functions involving signals and locale issues.

The C++ library supports wide chars, in that template functions and classes that are defined for char are also available for wide char. For example, wide char stream classes `wios`, `wiostream`, `wstreambuf` and so on (corresponding to char classes `ios`, `iostream`, `streambuf`) are implemented. However, there is no low-level file I/O for wide chars. Also, the C library interface to wide char support (through the C++ headers `<wchar>` and `<cwctype>`) is limited as described in [Section 5.1](#).

TI does not provide documentation that covers the functionality of the C++ library. TI suggests referring to one of the following sources:

- *The Standard C++ Library: A Tutorial and Reference*, Nicolai M. Josuttis, Addison-Wesley, ISBN 0-201-37926-0
- *The C++ Programming Language* (Third or Special Editions), Bjarne Stroustrup, Addison-Wesley, ISBN 0-201-88954-4 or 0-201-70073-5

7.1.1 Linking Code With the Object Library

When you link your program, you must specify the object library as one of the linker input files so that references to the I/O and run-time-support functions can be resolved. You can either specify the library or allow the compiler to select one for you. See [Section 4.3.1](#) for further information.

When a library is linked, the linker includes only those library members required to resolve undefined references. For more information about linking, see the *MSP430 Assembly Language Tools User's Guide*.

C, C++, and mixed C and C++ programs can use the same run-time-support library. Run-time-support functions and variables that can be called and referenced from both C and C++ will have the same linkage.

7.1.2 Header Files

You must use the header files provided with the compiler run-time support when using functions from C/C++ standard library. Set the `MSP_C_DIR` environment variable to the absolute path of the "include" directory in the compiler release.

7.1.3 Modifying a Library Function

You can inspect or modify library functions by examining the source code in the `lib/src` subdirectory of the compiler installation. For example, `C:\ti\ccsv7\tools\compiler\msp430_#.##.#\lib\src`.

Once you have located the relevant source code, change the specific function file and rebuild the library.

You can use this source tree to rebuild the `rts430.lib` library or to build a new library. See [Section 7.1.8](#) for details on library naming and [Section 7.4](#) for details on building

7.1.4 Support for String Handling

The library includes the header files `<string.h>` and `<strings.h>`, which provide the following functions for string handling beyond those required.

- `string.h`
 - `strdup()`, which duplicates a string by dynamically allocating memory and copying the string to this allocated memory
 - `strcmp()` and `strncmp()`, which perform case-sensitive string comparisons
 - `memcpy()`, which copies memory from one location to another
 - `memcmp()`, which compares sections of memory
- `strings.h`
 - `bcmp()`, which is equivalent to `memcmp()`
 - `bcopy()`, which is equivalent to `memmove()`
 - `bzero()`, which is equivalent to `memset(..., 0, ...)`;
 - `ffs()`, which finds the first bit set and returns the index of that bit
 - `index()`, which is equivalent to `strchr()`
 - `rindex()`, which is equivalent to `strrchr()`
 - `strcasecmp()` and `strncasecmp()`, which perform case-insensitive string comparisons

7.1.5 Minimal Support for Internationalization

The library includes the header files `<locale.h>`, `<wchar.h>`, and `<wctype.h>`, which provide APIs to support non-ASCII character sets and conventions. Our implementation of these APIs is limited in the following ways:

- The library has minimal support for wide and multibyte characters. The type `wchar_t` is implemented as unsigned int. The wide character set is equivalent to the set of values of type `char`. The library includes the header files `<wchar.h>` and `<wctype.h>` but does not include all the functions specified in the standard. See [Section 5.6](#) for more information about extended character sets.
- The C library includes the header file `<locale.h>` but with a minimal implementation. The only supported locale is the C locale. That is, library behavior that is specified to vary by locale is hard-coded to the behavior of the C locale, and attempting to install a different locale via a call to `setlocale()` will return `NULL`.

7.1.6 Allowable Number of Open Files

In the `<stdio.h>` header file, the value for the macro `FOPEN_MAX` has the value of the macro `_NFILE`, which is set to 10. The impact is that you can only have 10 files simultaneously open at one time (including the pre-defined streams - `stdin`, `stdout`, `stderr`).

The C standard requires that the minimum value for the `FOPEN_MAX` macro is 8. The macro determines the maximum number of files that can be opened at one time. The macro is defined in the `stdio.h` header file and can be modified by changing the value of the `_NFILE` macro and recompiling the library.

7.1.7 Nonstandard Header Files in the Source Tree

The source code in the `lib/src` subdirectory of the compiler installation contains certain files that are not specified by the ISO/ANSI standard, but are needed to build the library:

- The `file.h` file includes macros and definitions used for low-level I/O functions. This file is available to be included by the user. Although it is non-standard, it is needed for building the library. There are other header files in this same category, such as `cpy_tbl.h`.
- The `format.h` file includes structures and macros used in `printf` and `scanf`.
- The `430cio.h` file includes low-level, target-specific C I/O macro definitions. If necessary, you can customize `430cio.h`.
- The `rtti.h` file includes internal function prototypes necessary to implement run-time type identification.
- The `vtbl.h` file contains the definition of a class's virtual function table format.

7.1.8 Library Naming Conventions

By default, the linker uses automatic library selection to select the correct run-time-support library (see [Section 4.3.1.1](#)) for your application. If you select the library manually, you must select the matching library using a naming scheme like the following:

rts430[x[l]][abi][_eh].lib

rts430	Indicates a 16-bit MSP430 library.
x	Optional x indicates a 20-bit MSP430X library.
l	Optional l after x indicates a 20-bit large code, large-data model MSP430X library. (This format is the old style.)
abi	Indicates the application binary interface (ABI) used. Although the COFF file format is no longer supported, the library filename still contains "_eabi" to distinguish the EABI libraries from older COFF libraries.
_eabi	EABI
_eh	Indicates the library has exception handling support
_lc	Indicates the library supports large code
_sc	Indicates the library supports small code
_ld	Indicates the library supports large data
_rd	Indicates the library supports restricted data
_sd	Indicates the library supports small data

7.2 The C I/O Functions

The C I/O functions make it possible to access the host's operating system to perform I/O. The capability to perform I/O on the host gives you more options when debugging and testing code.

The I/O functions are logically divided into layers: high level, low level, and device-driver level.

With properly written device drivers, the C-standard high-level I/O functions can be used to perform I/O on custom user-defined devices. This provides an easy way to use the sophisticated buffering of the high-level I/O functions on an arbitrary device.

Note

Debugger Required for Default HOST: For the default HOST device to work, there must be a debugger to handle the C I/O requests; the default HOST device cannot work by itself in an embedded system. To work in an embedded system, you will need to provide an appropriate driver for your system.

Note

C I/O Mysteriously Fails: If there is not enough space on the heap for a C I/O buffer, operations on the file will silently fail. If a call to printf() mysteriously fails, this may be the reason. The heap needs to be at least large enough to allocate a block of size BUFSIZ (defined in stdio.h) for every file on which I/O is performed, including stdout, stdin, and stderr, plus allocations performed by the user's code, plus allocation bookkeeping overhead. Alternately, declare a char array of size BUFSIZ and pass it to setvbuf to avoid dynamic allocation. To set the heap size, use the --heap_size option when linking (refer to the *Linker Description* chapter in the *MSP430 Assembly Language Tools User's Guide*).

Note

Open Mysteriously Fails: The run-time support limits the total number of open files to a small number relative to general-purpose processors. If you attempt to open more files than the maximum, you may find that the open will mysteriously fail. You can increase the number of open files by extracting the source code from `rts.src` and editing the constants controlling the size of some of the C I/O data structures. The macro `_NFILE` controls how many FILE (fopen) objects can be open at one time (stdin, stdout, and stderr count against this total). (See also `FOPEN_MAX`.) The macro `_NSTREAM` controls how many low-level file descriptors can be open at one time (the low-level files underlying stdin, stdout, and stderr count against this total). The macro `_NDEVICE` controls how many device drivers are installed at one time (the HOST device counts against this total).

7.2.1 High-Level I/O Functions

The high-level functions are the standard C library of stream I/O routines (`printf`, `scanf`, `fopen`, `getchar`, and so on). These functions call one or more low-level I/O functions to carry out the high-level I/O request. The high-level I/O routines operate on FILE pointers, also called *streams*.

Portable applications should use only the high-level I/O functions.

To use the high-level I/O functions, include the header file `stdio.h`, or `cstdio` for C++ code, for each module that references a C I/O function. For example, given the following C program in a file named `main.c`:

```
#include <stdio.h>
void main()
{
    FILE *fid;
    fid = fopen("myfile","w");
    fprintf(fid,"Hello, world\n");
    fclose(fid);
    printf("Hello again, world\n");
}
```

Issuing the following compiler command compiles, links, and creates the file `main.out` from the run-time-support library:

```
cl430 main.c --run_linker --heap_size=400 --library=rts430_eabi.lib --output_file=main.out
```

Executing `main.out` results in

```
Hello, world
```

being output to a file and

```
Hello again, world
```

being output to your host's stdout window.

7.2.1.1 Formatting and the Format Conversion Buffer

The internal routine behind the C I/O functions—such as `printf()`, `vsnprintf()`, and `snprintf()`—reserves stack space for a format conversion buffer. The buffer size is set by the macro `FORMAT_CONVERSION_BUFFER`, which is defined in `format.h`. Consider the following issues before reducing the size of this buffer:

- The default buffer size is 100 bytes. If `MINIMAL` is defined, the size is set to 32, which allows integer values without width specifiers to be printed.
- Each conversion specified with `%xxxx` (except `%s`) must fit in `FORMAT_CONVERSION_BUFSIZE`. This means any individual formatted float or integer value, accounting for width and precision specifiers, needs to fit in the buffer. Since the actual value of any representable number should easily fit, the main concern is ensuring the width and/or precision size meets the constraints.

- The length of converted strings using %s are unaffected by any change in FORMAT_CONVERSION_BUFSIZE. For example, you can specify `printf("%s value is %d", some_really_long_string, intval)` without a problem.
- The constraint is for each individual item being converted. For example a format string of `%d item1 %f item2 %e item3` does not need to fit in the buffer. Instead, each converted item specified with a % format must fit.
- There is no buffer overrun check.

7.2.2 Overview of Low-Level I/O Implementation

The low-level functions are comprised of seven basic I/O functions: open, read, write, close, lseek, rename, and unlink. These low-level routines provide the interface between the high-level functions and the device-level drivers that actually perform the I/O command on the specified device.

The low-level functions are designed to be appropriate for all I/O methods, even those which are not actually disk files. Abstractly, all I/O channels can be treated as files, although some operations (such as lseek) may not be appropriate. See [Section 7.2.3](#) for more details.

The low-level functions are inspired by, but not identical to, the POSIX functions of the same names.

The low-level functions operate on file descriptors. A file descriptor is an integer returned by open, representing an opened file. Multiple file descriptors may be associated with a file; each has its own independent file position indicator.

open

Open File for I/O

Syntax

```
#include <file.h>
```

```
int open (const char * path , unsigned flags , int file_descriptor );
```

Description

The open function opens the file specified by *path* and prepares it for I/O.

- The *path* is the filename of the file to be opened, including an optional directory path and an optional device specifier (see [Section 7.2.5](#)).
- The *flags* are attributes that specify how the file is manipulated. The flags are specified using the following symbols:

O_RDONLY	(0x0000)	/* open for reading */
O_WRONLY	(0x0001)	/* open for writing */
O_RDWR	(0x0002)	/* open for read & write */
O_APPEND	(0x0008)	/* append on each write */
O_CREAT	(0x0200)	/* open with file create */
O_TRUNC	(0x0400)	/* open with truncation */
O_BINARY	(0x8000)	/* open in binary mode */

Low-level I/O routines allow or disallow some operations depending on the flags used when the file was opened. Some flags may not be meaningful for some devices, depending on how the device implements files.

- The *file_descriptor* is assigned by open to an opened file.

The next available file descriptor is assigned to each new file opened.

Return Value

The function returns one of the following values:

non-negative file descriptor	if successful
-1	on failure

close**Close File for I/O**

Syntax

#include <file.h>

int close (int *file_descriptor*);**Description**The close function closes the file associated with *file_descriptor*.The *file_descriptor* is the number assigned by open to an opened file.**Return Value**

The return value is one of the following:

0	if successful
-1	on failure

read**Read Characters from a File**

Syntax

#include <file.h>

int read (int *file_descriptor* , char * *buffer* , unsigned *count*);**Description**The read function reads *count* characters into the *buffer* from the file associated with *file_descriptor*.

- The *file_descriptor* is the number assigned by open to an opened file.
- The *buffer* is where the read characters are placed.
- The *count* is the number of characters to read from the file.

Return Value

The function returns one of the following values:

0	if EOF was encountered before any characters were read
#	number of characters read (may be less than <i>count</i>)
-1	on failure

write**Write Characters to a File**

Syntax

#include <file.h>

int write (int *file_descriptor* , const char * *buffer* , unsigned *count*);**Description**The write function writes the number of characters specified by *count* from the *buffer* to the file associated with *file_descriptor*.

- The *file_descriptor* is the number assigned by open to an opened file.
- The *buffer* is where the characters to be written are located.
- The *count* is the number of characters to write to the file.

Return Value

The function returns one of the following values:

#	number of characters written if successful (may be less than <i>count</i>)
-1	on failure

lseek

Set File Position Indicator

Syntax for C

```
#include <file.h>
```

```
off_t lseek (int file_descriptor , off_t offset , int origin );
```

Description

The `lseek` function sets the file position indicator for the given file to a location relative to the specified origin. The file position indicator measures the position in characters from the beginning of the file.

- The *file_descriptor* is the number assigned by `open` to an opened file.
- The *offset* indicates the relative offset from the *origin* in characters.
- The *origin* is used to indicate which of the base locations the *offset* is measured from. The *origin* must be one of the following macros:

SEEK_SET (0x0000) Beginning of file

SEEK_CUR (0x0001) Current value of the file position indicator

SEEK_END (0x0002) End of file

Return Value

The return value is one of the following:

#	new value of the file position indicator if successful
(off_t)-1	on failure

unlink

Delete File

Syntax

```
#include <file.h>
```

```
int unlink (const char * path );
```

Description

The `unlink` function deletes the file specified by *path*. Depending on the device, a deleted file may still remain until all file descriptors which have been opened for that file have been closed. See [Section 7.2.3](#).

The *path* is the filename of the file, including path information and optional device prefix. (See [Section 7.2.5](#).)

Return Value

The function returns one of the following values:

0	if successful
-1	on failure

rename**Rename File****Syntax for C**

```
#include {<stdio.h> | <file.h>}
```

```
int rename (const char * old_name , const char * new_name );
```

Syntax for C++

```
#include {<cstdio> | <file.h>}
```

```
int std::rename (const char * old_name , const char * new_name );
```

Description

The rename function changes the name of a file.

- The *old_name* is the current name of the file.
- The *new_name* is the new name for the file.

Note

The optional device specified in the new name must match the device of the old name. If they do not match, a file copy would be required to perform the rename, and rename is not capable of this action.

Return Value

The function returns one of the following values:

- | | |
|----|---------------|
| 0 | if successful |
| -1 | on failure |

Note

Although rename is a low-level function, it is defined by the C standard and can be used by portable applications.

7.2.3 Device-Driver Level I/O Functions

At the next level are the device-level drivers. They map directly to the low-level I/O functions. The default device driver is the HOST device driver, which uses the debugger to perform file operations. The HOST device driver is automatically used for the default C streams stdin, stdout, and stderr.

The HOST device driver shares a special protocol with the debugger running on a host system so that the host can perform the C I/O requested by the program. Instructions for C I/O operations that the program wants to perform are encoded in a special buffer named `_CIOBUF_` in the `.cio` section. The debugger halts the program at a special breakpoint (`C$$IO$$`), reads and decodes the target memory, and performs the requested operation. The result is encoded into `_CIOBUF_`, the program is resumed, and the target decodes the result.

The HOST device is implemented with seven functions, `HOSTopen`, `HOSTclose`, `HOSTread`, `HOSTwrite`, `HOSTseek`, `HOSTunlink`, and `HOSTrename`, which perform the encoding. Each function is called from the low-level I/O function with a similar name.

A device driver is composed of seven required functions. Not all function need to be meaningful for all devices, but all seven must be defined. Here we show the names of all seven functions as starting with `DEV`, but you may choose any name except for `HOST`.

DEV_open

Open File for I/O

Syntax

```
int DEV_open (const char * path , unsigned flags , int llv_fd );
```

Description

This function finds a file matching *path* and opens it for I/O as requested by *flags*.

- The *path* is the filename of the file to be opened. If the name of a file passed to open has a device prefix, the device prefix will be stripped by open, so DEV_open will not see it. (See [Section 7.2.5](#) for details on the device prefix.)
- The *flags* are attributes that specify how the file is manipulated. The flags are specified using the following symbols:

O_RDONLY	(0x0000)	/* open for reading */
O_WRONLY	(0x0001)	/* open for writing */
O_RDWR	(0x0002)	/* open for read & write */
O_APPEND	(0x0008)	/* append on each write */
O_CREAT	(0x0200)	/* open with file create */
O_TRUNC	(0x0400)	/* open with truncation */
O_BINARY	(0x8000)	/* open in binary mode */

See POSIX for further explanation of the flags.

- The *llv_fd* is treated as a suggested low-level file descriptor. This is a historical artifact; newly-defined device drivers should ignore this argument. This differs from the low-level I/O open function.

This function must arrange for information to be saved for each file descriptor, typically including a file position indicator and any significant flags. For the HOST version, all the bookkeeping is handled by the debugger running on the host machine. If the device uses an internal buffer, the buffer can be created when a file is opened, or the buffer can be created during a read or write.

Return Value

This function must return -1 to indicate an error if for some reason the file could not be opened; such as the file does not exist, could not be created, or there are too many files open. The value of *errno* may optionally be set to indicate the exact error (the HOST device does not set *errno*). Some devices might have special failure conditions; for instance, if a device is read-only, a file cannot be opened O_WRONLY.

On success, this function must return a non-negative file descriptor unique among all open files handled by the specific device. The file descriptor need not be unique across devices. The device file descriptor is used only by low-level functions when calling the device-driver-level functions. The low-level function `open` allocates its own unique file descriptor for the high-level functions to call the low-level functions. Code that uses only high-level I/O functions need not be aware of these file descriptors.

DEV_close

Close File for I/O

Syntax

```
int DEV_close (int dev_fd );
```

Description

This function closes a valid open file descriptor.

On some devices, DEV_close may need to be responsible for checking if this is the last file descriptor pointing to a file that was unlinked. If so, it is responsible for ensuring that the file is actually removed from the device and the resources reclaimed, if appropriate.

Return Value

This function should return -1 to indicate an error if the file descriptor is invalid in some way, such as being out of range or already closed, but this is not required. The user should not call close() with an invalid file descriptor.

DEV_read

Read Characters from a File

Syntax

```
int DEV_read (int dev_fd , char * buf , unsigned count );
```

Description

The read function reads *count* bytes from the input file associated with *dev_fd*.

- The *dev_fd* is the number assigned by open to an opened file.
- The *buf* is where the read characters are placed.
- The *count* is the number of characters to read from the file.

Return Value

This function must return -1 to indicate an error if for some reason no bytes could be read from the file. This could be because of an attempt to read from a O_WRONLY file, or for device-specific reasons.

If count is 0, no bytes are read and this function returns 0.

This function returns the number of bytes read, from 0 to count. 0 indicates that EOF was reached before any bytes were read. It is not an error to read less than count bytes; this is common if there are not enough bytes left in the file or the request was larger than an internal device buffer size.

DEV_write

Write Characters to a File

Syntax

```
int DEV_write (int dev_fd , const char * buf , unsigned count );
```

Description

This function writes *count* bytes to the output file.

- The *dev_fd* is the number assigned by open to an opened file.
- The *buffer* is where the write characters are placed.
- The *count* is the number of characters to write to the file.

Return Value

This function must return -1 to indicate an error if for some reason no bytes could be written to the file. This could be because of an attempt to read from a O_RDONLY file, or for device-specific reasons.

DEV_lseek

Set File Position Indicator

Syntax `off_t DEV_lseek (int dev_fd , off_t offset , int origin);`

Description This function sets the file's position indicator for this file descriptor as [lseek](#).
If lseek is supported, it should not allow a seek to before the beginning of the file, but it should support seeking past the end of the file. Such seeks do not change the size of the file, but if it is followed by a write, the file size will increase.

Return Value If successful, this function returns the new value of the file position indicator.
This function must return -1 to indicate an error if for some reason no bytes could be written to the file. For many devices, the lseek operation is nonsensical (e.g. a computer monitor).

DEV_unlink

Delete File

Syntax `int DEV_unlink (const char * path);`

Description Remove the association of the pathname with the file. This means that the file may no longer be opened using this name, but the file may not actually be immediately removed.
Depending on the device, the file may be immediately removed, but for a device which allows open file descriptors to point to unlinked files, the file will not actually be deleted until the last file descriptor is closed. See [Section 7.2.3](#).

Return Value This function must return -1 to indicate an error if for some reason the file could not be unlinked (delayed removal does not count as a failure to unlink.)
If successful, this function returns 0.

DEV_rename

Rename File

Syntax `int DEV_rename (const char * old_name , const char * new_name);`

Description This function changes the name associated with the file.

- The *old_name* is the current name of the file.
- The *new_name* is the new name for the file.

Return Value This function must return -1 to indicate an error if for some reason the file could not be renamed, such as the file doesn't exist, or the new name already exists.

Note

It is inadvisable to allow renaming a file so that it is on a different device. In general this would require a whole file copy, which may be more expensive than you expect.

If successful, this function returns 0.

7.2.4 Adding a User-Defined Device Driver for C I/O

The function `add_device` allows you to add and use a device. When a device is registered with `add_device`, the high-level I/O routines can be used for I/O on that device.

You can use a different protocol to communicate with any desired device and install that protocol using `add_device`; however, the HOST functions should not be modified. The default streams `stdin`, `stdout`, and `stderr` can be remapped to a file on a user-defined device instead of HOST by using `freopen()` as in [Example 7-1](#). If the default streams are reopened in this way, the buffering mode will change to `_IOFBF` (fully buffered). To restore the default buffering behavior, call `setvbuf` on each reopened file with the appropriate value (`_IOLBF` for `stdin` and `stdout`, `_IONBF` for `stderr`).

The default streams `stdin`, `stdout`, and `stderr` can be mapped to a file on a user-defined device instead of HOST by using `freopen()` as shown in [Example 7-1](#). Each function must set up and maintain its own data structures as needed. Some function definitions perform no action and should just return.

Note

Use Unique Function Names

The function names `open`, `read`, `write`, `close`, `lseek`, `rename`, and `unlink` are used by the low-level routines. Use other names for the device-level functions that you write.

Use the low-level function `add_device()` to add your device to the `device_table`. The device table is a statically defined array that supports n devices, where n is defined by the macro `_NDEVICE` found in `stdio.h/cstdio`.

The first entry in the device table is predefined to be the host device on which the debugger is running. The low-level routine `add_device()` finds the first empty position in the device table and initializes the device fields with the passed-in arguments. For a complete description, see [the `add_device` function](#).

Example 7-1. Mapping Default Streams to Device

```
#include <stdio.h>
#include <file.h>
#include "mydevice.h"
void main()
{
    add_device("mydevice", _MSA,
              MYDEVICE_open, MYDEVICE_close,
              MYDEVICE_read, MYDEVICE_write,
              MYDEVICE_lseek, MYDEVICE_unlink, MYDEVICE_rename);
    /*-----*/
    /* Re-open stderr as a MYDEVICE file */
    /*-----*/
    if (!freopen("mydevice:stderrfile", "w", stderr))
    {
        puts("Failed to freopen stderr");
        exit(EXIT_FAILURE);
    }
    /*-----*/
    /* stderr should not be fully buffered; we want errors to be seen as */
    /* soon as possible. Normally stderr is line-buffered, but this example */
    /* doesn't buffer stderr at all. This means that there will be one call */
    /* to write() for each character in the message. */
    /*-----*/
    if (setvbuf(stderr, NULL, _IONBF, 0))
    {
        puts("Failed to setvbuf stderr");
        exit(EXIT_FAILURE);
    }
    /*-----*/
    /* Try it out! */
    /*-----*/
    printf("This goes to stdout\n");
    fprintf(stderr, "This goes to stderr\n"); }

```

7.2.5 The device Prefix

A file can be opened to a user-defined device driver by using a device prefix in the pathname. The device prefix is the device name used in the call to `add_device` followed by a colon. For example:

```
FILE *fptr = fopen("mydevice:file1", "r");
int fd = open("mydevice:file2, O_RDONLY, 0);
```

If no device prefix is used, the HOST device will be used to open the file.

`add_device`

Add Device to Device Table

Syntax for C

```
#include <file.h>

int add_device(char * name,
unsigned flags ,
int (* dopen )(const char * path , unsigned flags , int llv_fd),
int (* dclose )( int dev_fd),
int (* dread )(int dev_fd , char * buf , unsigned count ),
int (* dwrite )(int dev_fd , const char * buf , unsigned count ),
off_t (* dlseek )(int dev_fd, off_t ioffset , int origin ),
int (* dunlink )(const char * path ),
int (* drename )(const char * old_name , const char * new_name ));
```

Defined in

lowlev.c (in the lib/src subdirectory of the compiler installation)

Description

The `add_device` function adds a device record to the device table allowing that device to be used for I/O from C. The first entry in the device table is predefined to be the HOST device on which the debugger is running. The function `add_device()` finds the first empty position in the device table and initializes the fields of the structure that represent a device.

To open a stream on a newly added device use `fopen()` with a string of the format `devicename : filename` as the first argument.

- The *name* is a character string denoting the device name. The name is limited to 8 characters.
- The *flags* are device characteristics. The flags are as follows:
 - `_SSA` Denotes that the device supports only one open stream at a time
 - `_MSA` Denotes that the device supports multiple open streams

More flags can be added by defining them in file.h.
- The *dopen*, *dclose*, *dread*, *dwrite*, *dlseek*, *dunlink*, and *drename* specifiers are function pointers to the functions in the device driver that are called by the low-level functions to perform I/O on the specified device. You must declare these functions with the interface specified in [Section 7.2.2](#). The device driver for the HOST that the MSP430 debugger is run on are included in the C I/O library.

Return Value

The function returns one of the following values:

- | | |
|----|---------------|
| 0 | if successful |
| -1 | on failure |

Example

[Example 7-2](#) does the following:

- Adds the device *mydevice* to the device table
- Opens a file named *test* on that device and associates it with the FILE pointer *fid*
- Writes the string *Hello, world* into the file
- Closes the file

[Example 7-2](#) illustrates adding and using a device for C I/O:

Example 7-2. Program for C I/O Device

```

#include <file.h>
#include <stdio.h>
/*****
/* Declarations of the user-defined device drivers */
*****/
extern int MYDEVICE_open(const char *path, unsigned flags, int fno);
extern int MYDEVICE_close(int fno);
extern int MYDEVICE_read(int fno, char *buffer, unsigned count);
extern int MYDEVICE_write(int fno, const char *buffer, unsigned count);
extern off_t MYDEVICE_lseek(int fno, off_t offset, int origin);
extern int MYDEVICE_unlink(const char *path);
extern int MYDEVICE_rename(const char *old_name, char *new_name);
main()
{
    FILE *fid;
    add_device("mydevice", _MSA, MYDEVICE_open, MYDEVICE_close, MYDEVICE_read,
              MYDEVICE_write, MYDEVICE_lseek, MYDEVICE_unlink, MYDEVICE_rename);
    fid = fopen("mydevice:test", "w");
    fprintf(fid, "Hello, world\n");

    fclose(fid);
}

```

7.3 Handling Reentrancy (`_register_lock()` and `_register_unlock()` Functions)

The C standard assumes only one thread of execution, with the only exception being extremely narrow support for signal handlers. The issue of reentrancy is avoided by not allowing you to do much of anything in a signal handler. However, SYS/BIOS applications have multiple threads which need to modify the same global program state, such as the CIO buffer, so reentrancy is a concern.

Part of the problem of reentrancy remains your responsibility, but the run-time-support environment does provide rudimentary support for multi-threaded reentrancy by providing support for critical sections. This implementation does not protect you from reentrancy issues such as calling run-time-support functions from inside interrupts; this remains your responsibility.

The run-time-support environment provides hooks to install critical section primitives. By default, a single-threaded model is assumed, and the critical section primitives are not employed. In a multi-threaded system such as SYS/BIOS, the kernel arranges to install semaphore lock primitive functions in these hooks, which are then called when the run-time-support enters code that needs to be protected by a critical section.

Throughout the run-time-support environment where a global state is accessed, and thus needs to be protected with a critical section, there are calls to the function `_lock()`. This calls the provided primitive, if installed, and acquires the semaphore before proceeding. Once the critical section is finished, `_unlock()` is called to release the semaphore.

Usually SYS/BIOS is responsible for creating and installing the primitives, so you do not need to take any action. However, this mechanism can be used in multi-threaded applications that do not use the SYS/BIOS locking mechanism.

You should not define the functions `_lock()` and `_unlock()` functions directly; instead, the installation functions are called to instruct the run-time-support environment to use these new primitives:

```
void _register_lock (void ( *lock)());
void _register_unlock(void (*unlock)());
```

The arguments to `_register_lock()` and `_register_unlock()` should be functions which take no arguments and return no values, and which implement some sort of global semaphore locking:

```
extern volatile sig_atomic_t *sema = SHARED_SEMAPHORE_LOCATION;
static int sema_depth = 0;
static void my_lock(void)
{
    while (ATOMIC_TEST_AND_SET(sema, MY_UNIQUE_ID) != MY_UNIQUE_ID);
    sema_depth++;
}
static void my_unlock(void)
{
    if (!--sema_depth) ATOMIC_CLEAR(sema);
}
```

The run-time-support nests calls to `_lock()`, so the primitives must keep track of the nesting level.

7.4 Library-Build Process

When using the C/C++ compiler, you can compile your code under a large number of different configurations and options that are not necessarily compatible with one another. Because it would be infeasible to include all possible run-time-support library variants, compiler releases pre-build only a small number of very commonly-used libraries such as `rts430_eabi.lib`.

To provide maximum flexibility, the run-time-support source code is provided as part of each compiler release. You can build the missing libraries as desired. The linker can also automatically build missing libraries. This is accomplished with a new library build process, the core of which is the executable `mklib`, which is available beginning with CCS 5.1.

7.4.1 Required Non-Texas Instruments Software

To use the self-contained run-time-support build process to rebuild a library with custom options, the following are required:

- `sh` (Bourne shell)
- `gmake` (GNU make 3.81 or later)

More information is available from GNU at <http://www.gnu.org/software/make>. GNU make (`gmake`) is also available in earlier versions of Code Composer Studio. GNU make is also included in some UNIX support packages for Windows, such as the MKS Toolkit, Cygwin, and Interix. The GNU make used on Windows platforms should explicitly report "This program build for Windows32" when the following is executed from the Command Prompt window:

```
gmake -h
```

All three of these programs are provided as a non-optional feature of CCS 5.1. They are also available as part of the optional XDC Tools feature if you are using an earlier version of CCS.

The `mklib` program looks for these executables in the following order:

1. in your `PATH`
2. in the directory `getenv("CCS_UTILS_DIR")/cygwin`
3. in the directory `getenv("CCS_UTILS_DIR")/bin`
4. in the directory `getenv("XDCROOT")`
5. in the directory `getenv("XDCROOT")/bin`

If you are invoking `mklib` from the command line, and these executables are not in your path, you must set the environment variable `CCS_UTILS_DIR` such that `getenv("CCS_UTILS_DIR")/bin` contains the correct programs.

7.4.2 Using the Library-Build Process

You should normally let the linker automatically rebuild libraries as needed. If necessary, you can run `mklib` directly to populate libraries. See [Section 7.4.2.2](#) for situations when you might want to do this.

7.4.2.1 Automatic Standard Library Rebuilding by the Linker

The linker looks for run-time-support libraries primarily through the `MSP430_C_DIR` environment variable. Typically, one of the pathnames in `MSP430_C_DIR` is *your install directory/lib*, which contains all of the pre-built libraries, as well as the index library `libc.a`. The linker looks in `MSP430_C_DIR` to find a library that is the best match for the build attributes of the application. The build attributes are set indirectly according to the command-line options used to build the application. Build attributes include things like CPU revision. If the library name is explicitly specified (e.g. `-library=rts430_eabi.lib`), run-time support looks for that library exactly. If the library name is not specified, the linker uses the index library `libc.a` to pick an appropriate library. If the library is specified by path (e.g. `-library=/foo/rts430_eabi.lib`), it is assumed the library already exists and it will not be built automatically.

The index library describes a set of libraries with different build attributes. The linker will compare the build attributes for each potential library with the build attributes of the application and will pick the best fit. For details on the index library, see the archiver chapter in the *MSP430 Assembly Language Tools User's Guide*.

Now that the linker has decided which library to use, it checks whether the run-time-support library is present in `MSP430_C_DIR`. The library must be in exactly the same directory as the index library `libc.a`. If the library is not present, the linker invokes `mklib` to build it. This happens when the library is missing, regardless of whether the user specified the name of the library directly or allowed the linker to pick the best library from the index library.

The `mklib` program builds the requested library and places it in 'lib' directory part of `MSP430_C_DIR` in the same directory as the index library, so it is available for subsequent compilations.

Things to watch out for:

- The linker invokes **mklib** and waits for it to finish before finishing the link, so you will experience a one-time delay when an uncommonly-used library is built for the first time. Build times of 1-5 minutes have been observed. This depends on the power of the host (number of CPUs, etc).
- In a shared installation, where an installation of the compiler is shared among more than one user, it is possible that two users might cause the linker to rebuild the same library at the same time. The **mklib** program tries to minimize the race condition, but it is possible one build will corrupt the other. In a shared environment, all libraries which might be needed should be built at install time; see [Section 7.4.2.2](#) for instructions on invoking **mklib** directly to avoid this problem.
- The index library must exist, or the linker is unable to rebuild libraries automatically.
- The index library must be in a user-writable directory, or the library is not built. If the compiler installation must be installed read-only (a good practice for shared installation), any missing libraries must be built at installation time by invoking **mklib** directly.
- The **mklib** program is specific to a certain version of a certain library; you cannot use one compiler version's run-time support's **mklib** to build a different compiler version's run-time support library.

7.4.2.2 Invoking `mklib` Manually

You may need to invoke **mklib** directly in special circumstances:

- The compiler installation directory is read-only or shared.
- You want to build a variant of the run-time-support library that is not pre-configured in the index library `libc.a` or known to `mklib`. (e.g. a variant with source-level debugging turned on.)

7.4.2.2.1 Building Standard Libraries

You can invoke `mklib` directly to build any or all of the libraries indexed in the index library `libc.a`. The libraries are built with the standard options for that library; the library names and the appropriate standard option sets are known to `mklib`.

This is most easily done by changing the working directory to be the compiler run-time-support library directory 'lib' and invoking the **mklib** executable there:

```
mklib --pattern=rts430_eabi.lib
```

7.4.2.2.2 Shared or Read-Only Library Directory

If the compiler tools are to be installed in shared or read-only directory, `mklib` cannot build the standard libraries at link time; the libraries must be built before the library directory is made shared or read-only.

At installation time, the installing user must build all of the libraries which will be used by any user. To build all possible libraries, change the working directory to be the compiler RTS library directory 'lib' and invoke the `mklib` executable there:

```
mklib --all
```

Some targets have many libraries, so this step can take a long time. To build a subset of the libraries, invoke `mklib` individually for each desired library.

7.4.2.2.3 Building Libraries With Custom Options

You can build a library with any extra custom options desired. This is useful for building a version of the library with silicon exception workarounds enabled. The generated library is not a standard library, and must not be

placed in the 'lib' directory. It should be placed in a directory local to the project which needs it. To build a debugging version of the library `rts430_eabi.lib`, change the working directory to the 'lib' directory and run the command:

```
mklib --pattern=rts430_eabi.lib --name=rts430_dbg.lib --install_to=$Project/Debug --extra_options="-g"
```

7.4.2.2.4 The mklib Program Option Summary

Run the following command to see the full list of options. These are described in [Table 7-1](#).

```
mklib --help
```

Table 7-1. The mklib Program Options

Option	Effect
<code>--index= filename</code>	The index library (libc.a) for this release. Used to find a template library for custom builds, and to find the source files (in the lib/src subdirectory of the compiler installation). REQUIRED.
<code>--pattern= filename</code>	Pattern for building a library. If neither <code>--extra_options</code> nor <code>--options</code> are specified, the library will be the standard library with the standard options for that library. If either <code>--extra_options</code> or <code>--options</code> are specified, the library is a custom library with custom options. REQUIRED unless <code>--all</code> is used.
<code>--all</code>	Build all standard libraries at once.
<code>--install_to= directory</code>	The directory into which to write the library. For a standard library, this defaults to the same directory as the index library (libc.a). For a custom library, this option is REQUIRED.
<code>--compiler_bin_dir= directory</code>	The directory where the compiler executables are. When invoking <code>mklib</code> directly, the executables should be in the path, but if they are not, this option must be used to tell <code>mklib</code> where they are. This option is primarily for use when <code>mklib</code> is invoked by the linker.
<code>--name= filename</code>	File name for the library with no directory part. Only useful for custom libraries.
<code>--options=' str '</code>	Options to use when building the library. The default options (see below) are replaced by this string. If this option is used, the library will be a custom library.
<code>--extra_options=' str '</code>	Options to use when building the library. The default options (see below) are also used. If this option is used, the library will be a custom library.
<code>--list_libraries</code>	List the libraries this script is capable of building and exit. ordinary system-specific directory.
<code>--log= filename</code>	Save the build log as <i>filename</i> .
<code>--tmpdir= directory</code>	Use <i>directory</i> for scratch space instead of the ordinary system-specific directory.
<code>--gmake= filename</code>	Gmake-compatible program to invoke instead of "gmake"
<code>--parallel= N</code>	Compile <i>N</i> files at once ("gmake -j <i>N</i> ").
<code>--query= filename</code>	Does this script know how to build FILENAME?
<code>--help</code> or <code>--h</code>	Display this help.
<code>--quiet</code> or <code>--q</code>	Operate silently.
<code>--verbose</code> or <code>--v</code>	Extra information to debug this executable.

Examples:

To build all standard libraries and place them in the compiler's library directory:

```
mklib --all --index=$C_DIR/lib
```

To build one standard library and place it in the compiler's library directory:

```
mklib --pattern=rts430_eabi.lib --index=$C_DIR/lib
```

To build a custom library that is just like `rts430_eabi.lib`, but has symbolic debugging support enabled:

```
mklib --pattern=rts430_eabi.lib --extra_options="-g" --index=$C_DIR/lib --install_to=$Project/Debug --name=rts430_debug.lib
```

7.4.3 Extending mklib

The **mklib** API is a uniform interface that allows Code Composer Studio to build libraries without needing to know exactly what underlying mechanism is used to build it. Each library vendor (e.g. the TI compiler) provides a library-specific copy of 'mklib' in the library directory that can be invoked, which understands a standardized set of options, and understands how to build the library. This allows the linker to automatically build application-compatible versions of any vendor's library without needing to register the library in advance, as long as the vendor supports mklib.

7.4.3.1 Underlying Mechanism

The underlying mechanism can be anything the vendor desires. For the compiler run-time-support libraries, mklib is just a wrapper that knows how to use the files in the lib/src subdirectory of the compiler installation and invoke gmake with the appropriate options to build each library. If necessary, mklib can be bypassed and the Makefile used directly, but this mode of operation is not supported by TI, and you are responsible for any changes to the Makefile. The format of the Makefile and the interface between mklib and the Makefile is subject to change without notice. The mklib program is the forward-compatible path.

7.4.3.2 Libraries From Other Vendors

Any vendor who wishes to distribute a library that can be rebuilt automatically by the linker must provide:

- An index library (like 'libc.a', but with a different name)
- A copy of mklib specific to that library
- A copy of the library source code (in whatever format is convenient)

These things must be placed together in one directory that is part of the linker's library search path (specified either in MSP430_C_DIR or with the linker --search_path option).

If mklib needs extra information that is not possible to pass as command-line options to the compiler, the vendor will need to provide some other means of discovering the information (such as a configuration file written by a wizard run from inside CCS).

The vendor-supplied mklib must at least accept all of the options listed in [Table 7-1](#) without error, even if they do not do anything.

The C++ compiler implements function overloading, operator overloading, and type-safe linking by encoding a function's prototype and namespace in its link-level name. The process of encoding the prototype into the linkname is often referred to as name mangling. When you inspect mangled names, such as in assembly files, disassembler output, or compiler or linker diagnostic messages, it can be difficult to associate a mangled name with its corresponding name in the C++ source code. The C++ name demangler is a debugging aid that translates each mangled name it detects to its original name found in the C++ source code.

These topics tell you how to invoke and use the C++ name demangler. The C++ name demangler reads in input, looking for mangled names. All unmangled text is copied to output unaltered. All mangled names are demangled before being copied to output.

8.1 Invoking the C++ Name Demangler.....	168
8.2 Sample Usage of the C++ Name Demangler.....	168

8.1 Invoking the C++ Name Demangler

The syntax for invoking the C++ name demangler is:

```
dem430 [options] [filenames]
```

dem430	Command that invokes the C++ name demangler.
<i>options</i>	Options affect how the name demangler behaves. Options can appear anywhere on the command line.
<i>filenames</i>	Text input files, such as the assembly file output by the compiler, the assembler listing file, the disassembly file, and the linker map file. If no filenames are specified on the command line, dem430 uses standard input.

By default, the C++ name demangler outputs to standard output. You can use the `-o file` option if you want to output to a file.

The following options apply only to the C++ name demangler:

--debug (-d)	Prints debug messages.
--diag_wrap[=on,off]	Sets diagnostic messages to wrap at 79 columns (on, which is the default) or not (off).
--help (-h)	Prints a help screen that provides an online summary of the C++ name demangler options.
--output= file (-o)	Outputs to the specified file rather than to standard out.
--quiet (-q)	Reduces the number of messages generated during execution.
-u	Specifies that external names do not have a C++ prefix. (deprecated)

8.2 Sample Usage of the C++ Name Demangler

The examples in this section illustrate the demangling process.

This example shows a sample C++ program. In this example, the linknames of all the functions are mangled; that is, their signature information is encoded into their names.

```
class banana {
public:
    int calories(void);
    banana();
    ~banana();
};
int calories_in_a_banana(void)
{
    banana x;
    return x.calories();
}
```


The resulting assembly that is output by the compiler is as follows.

```

    PUSH.W    r10
    SUB.W     #2,SP
    MOV.W     SP,r12
    CALL     #_ZN6bananaC1Ev

    MOV.W     SP,r12
    CALL     #_ZN6banana8caloriesEv

    MOV.W     r12,r10
    MOV.W     SP,r12
    CALL     #_ZN6bananaD1Ev

    MOV.W     r10,r12
    ADD.W     #2,SP
    POP      r10
    RET
    
```

Executing the C++ name demangler will demangle all names that it believes to be mangled. Enter:

```
dem430 calories_in_a_banana.asm
```

The result after running the C++ name demangler is as follows. The linknames in `_ZN6bananaC1Ev`, `_ZN6banana8caloriesEv`, and `_ZN6bananaD1Ev` are demangled.

```

calories_in_a_banana():
;* -----*
    PUSH.W    r10
    SUB.W     #2,SP
    MOV.W     SP,r12
    CALL     #banana::banana()

    MOV.W     SP,r12
    CALL     #banana::calories()

    MOV.W     r12,r10
    MOV.W     SP,r12
    CALL     #banana::~banana()

    MOV.W     r10,r12
    ADD.W     #2,SP
    POP      r10
    RET
    
```

This page intentionally left blank.

A.1 Terminology

absolute lister	A debugging tool that allows you to create assembler listings that contain absolute addresses.
alias disambiguation	A technique that determines when two pointer expressions cannot point to the same location, allowing the compiler to freely optimize such expressions.
aliasing	The ability for a single object to be accessed in more than one way, such as when two pointers point to a single object. It can disrupt optimization, because any indirect reference could refer to any other object.
allocation	A process in which the linker calculates the final memory addresses of output sections.
ANSI	American National Standards Institute; an organization that establishes standards voluntarily followed by industries.
Application Binary Interface (ABI)	A standard that specifies the interface between two object modules. An ABI specifies how functions are called and how information is passed from one program component to another.
archive library	A collection of individual files grouped into a single file by the archiver.
archiver	A software program that collects several individual files into a single file called an archive library. With the archiver, you can add, delete, extract, or replace members of the archive library.
assembler	A software program that creates a machine-language program from a source file that contains assembly language instructions, directives, and macro definitions. The assembler substitutes absolute operation codes for symbolic operation codes and absolute or relocatable addresses for symbolic addresses.
assignment statement	A statement that initializes a variable with a value.
autoinitialization	The process of initializing global C variables (contained in the <code>.cinit</code> section) before program execution begins.
autoinitialization at run time	An autoinitialization method used by the linker when linking C code. The linker uses this method when you invoke it with the <code>--rom_model</code> link option. The linker loads the <code>.cinit</code> section of data tables into memory, and variables are initialized at run time.

big endian	An addressing protocol in which bytes are numbered from left to right within a word. More significant bytes in a word have lower numbered addresses. Endian ordering is hardware-specific and is determined at reset. See also <i>little endian</i> .
BIS	Bit instruction set.
block	A set of statements that are grouped together within braces and treated as an entity.
.bss section	One of the default object file sections. You use the assembler <code>.bss</code> directive to reserve a specified amount of space in the memory map that you can use later for storing data. The <code>.bss</code> section is uninitialized.
byte	Per ANSI/ISO C, the smallest addressable unit that can hold a character.
C/C++ compiler	A software program that translates C source statements into assembly language source statements.
code generator	A compiler tool that takes the file produced by the parser or the optimizer and produces an assembly language source file.
COFF	Common object file format; a system of object files configured according to a standard developed by AT&T. This ABI is no longer supported.
command file	A file that contains options, filenames, directives, or commands for the linker or hex conversion utility.
comment	A source statement (or portion of a source statement) that documents or improves readability of a source file. Comments are not compiled, assembled, or linked; they have no effect on the object file.
compiler program	A utility that lets you compile, assemble, and optionally link in one step. The compiler runs one or more source modules through the compiler (including the parser, optimizer, and code generator), the assembler, and the linker.
configured memory	Memory that the linker has specified for allocation.
constant	A type whose value cannot change.
cross-reference listing	An output file created by the assembler that lists the symbols that were defined, what line they were defined on, which lines referenced them, and their final values.
.data section	One of the default object file sections. The <code>.data</code> section is an initialized section that contains initialized data. You can use the <code>.data</code> directive to assemble code into the <code>.data</code> section.
direct call	A function call where one function calls another using the function's name.
directives	Special-purpose commands that control the actions and functions of a software tool (as opposed to assembly language instructions, which control the actions of a device).
disambiguation	See <i>alias disambiguation</i> .
dynamic memory allocation	A technique used by several functions (such as <code>malloc</code> , <code>calloc</code> , and <code>realloc</code>) to dynamically allocate memory for variables at run time. This is accomplished by

defining a large memory pool (heap) and using the functions to allocate memory from the heap.

ELF	Executable and Linkable Format; a system of object files configured according to the System V Application Binary Interface specification.
emulator	A hardware development system that duplicates the MSP430 operation.
entry point	A point in target memory where execution starts.
environment variable	A system symbol that you define and assign to a string. Environmental variables are often included in Windows batch files or UNIX shell scripts such as <code>.cshrc</code> or <code>.profile</code> .
epilog	The portion of code in a function that restores the stack and returns.
executable object file	A linked, executable object file that is downloaded and executed on a target system.
expression	A constant, a symbol, or a series of constants and symbols separated by arithmetic operators.
external symbol	A symbol that is used in the current program module but defined or declared in a different program module.
file-level optimization	A level of optimization where the compiler uses the information that it has about the entire file to optimize your code (as opposed to program-level optimization, where the compiler uses information that it has about the entire program to optimize your code).
function inlining	The process of inserting code for a function at the point of call. This saves the overhead of a function call and allows the optimizer to optimize the function in the context of the surrounding code.
global symbol	A symbol that is either defined in the current module and accessed in another, or accessed in the current module but defined in another.
high-level language debugging	The ability of a compiler to retain symbolic and high-level language information (such as type and function definitions) so that a debugging tool can use this information.
indirect call	A function call where one function calls another function by giving the address of the called function.
initialization at load time	An autoinitialization method used by the linker when linking C/C++ code. The linker uses this method when you invoke it with the <code>--ram_model</code> link option. This method initializes variables at load time instead of run time.
initialized section	A section from an object file that will be linked into an executable object file.
input section	A section from an object file that will be linked into an executable object file.
integrated preprocessor	A C/C++ preprocessor that is merged with the parser, allowing for faster compilation. Stand-alone preprocessing or preprocessed listing is also available.
interlist feature	A feature that inserts as comments your original C/C++ source statements into the assembly language output from the assembler. The C/C++ statements are inserted next to the equivalent assembly instructions.

intrinsic	Operators that are used like functions and produce assembly language code that would otherwise be inexpressible in C, or would take greater time and effort to code.
ISO	International Organization for Standardization; a worldwide federation of national standards bodies, which establishes international standards voluntarily followed by industries.
K&R C	Kernighan and Ritchie C, the de facto standard as defined in the first edition of <i>The C Programming Language</i> (K&R). Most K&R C programs written for earlier, non-ISO C compilers should correctly compile and run without modification.
label	A symbol that begins in column 1 of an assembler source statement and corresponds to the address of that statement. A label is the only assembler statement that can begin in column 1.
linker	A software program that combines object files to form an executable object file that can be allocated into system memory and executed by the device.
listing file	An output file, created by the assembler, which lists source statements, their line numbers, and their effects on the section program counter (SPC).
little endian	An addressing protocol in which bytes are numbered from right to left within a word. More significant bytes in a word have higher numbered addresses. Endian ordering is hardware-specific and is determined at reset. See also <i>big endian</i>
loader	A device that places an executable object file into system memory.
loop unrolling	An optimization that expands small loops so that each iteration of the loop appears in your code. Although loop unrolling increases code size, it can improve the performance of your code.
macro	A user-defined routine that can be used as an instruction.
macro call	The process of invoking a macro.
macro definition	A block of source statements that define the name and the code that make up a macro.
macro expansion	The process of inserting source statements into your code in place of a macro call.
map file	An output file, created by the linker, which shows the memory configuration, section composition, section allocation, symbol definitions and the addresses at which the symbols were defined for your program.
memory map	A map of target system memory space that is partitioned into functional blocks.
name mangling	A compiler-specific feature that encodes a function name with information regarding the function's arguments return types.
object file	An assembled or linked file that contains machine-language object code.
object library	An archive library made up of individual object files.

operand	An argument of an assembly language instruction, assembler directive, or macro directive that supplies information to the operation performed by the instruction or directive.
optimizer	A software tool that improves the execution speed and reduces the size of C programs.
options	Command-line parameters that allow you to request additional or specific functions when you invoke a software tool.
output section	A final, allocated section in a linked, executable module.
parser	A software tool that reads the source file, performs preprocessing functions, checks the syntax, and produces an intermediate file used as input for the optimizer or code generator.
partitioning	The process of assigning a data path to each instruction.
pop	An operation that retrieves a data object from a stack.
pragma	A preprocessor directive that provides directions to the compiler about how to treat a particular statement.
preprocessor	A software tool that interprets macro definitions, expands macros, interprets header files, interprets conditional compilation, and acts upon preprocessor directives.
program-level optimization	An aggressive level of optimization where all of the source files are compiled into one intermediate file. Because the compiler can see the entire program, several optimizations are performed with program-level optimization that are rarely applied during file-level optimization.
prolog	The portion of code in a function that sets up the stack.
push	An operation that places a data object on a stack for temporary storage.
quiet run	An option that suppresses the normal banner and the progress information.
raw data	Executable code or initialized data in an output section.
relocation	A process in which the linker adjusts all the references to a symbol when the symbol's address changes.
run-time environment	The run time parameters in which your program must function. These parameters are defined by the memory and register conventions, stack organization, function call conventions, and system initialization.
run-time-support functions	Standard ISO functions that perform tasks that are not part of the C language (such as memory allocation, string conversion, and string searches).
run-time-support library	A library file, <code>rts.src</code> , which contains the source for the run time-support functions.
section	A relocatable block of code or data that ultimately will be contiguous with other sections in the memory map.

sign extend	A process that fills the unused MSBs of a value with the value's sign bit.
simulator	A software development system that simulates MSP430 operation.
source file	A file that contains C/C++ code or assembly language code that is compiled or assembled to form an object file.
stand-alone preprocessor	A software tool that expands macros, #include files, and conditional compilation as an independent program. It also performs integrated preprocessing, which includes parsing of instructions.
static variable	A variable whose scope is confined to a function or a program. The values of static variables are not discarded when the function or program is exited; their previous value is resumed when the function or program is reentered.
storage class	An entry in the symbol table that indicates how to access a symbol.
string table	A table that stores symbol names that are longer than eight characters (symbol names of eight characters or longer cannot be stored in the symbol table; instead they are stored in the string table). The name portion of the symbol's entry points to the location of the string in the string table.
structure	A collection of one or more variables grouped together under a single name.
subsection	A relocatable block of code or data that ultimately will occupy continuous space in the memory map. Subsections are smaller sections within larger sections. Subsections give you tighter control of the memory map.
symbol	A string of alphanumeric characters that represents an address or a value.
symbolic debugging	The ability of a software tool to retain symbolic information that can be used by a debugging tool such as an emulator or simulator.
target system	The system on which the object code you have developed is executed.
.text section	One of the default object file sections. The .text section is initialized and contains executable code. You can use the .text directive to assemble code into the .text section.
trigraph sequence	A 3-character sequence that has a meaning (as defined by the ISO 646-1983 Invariant Code Set). These characters cannot be represented in the C character set and are expanded to one character. For example, the trigraph '???' is expanded to '^'.
unconfigured memory	Memory that is not defined as part of the memory map and cannot be loaded with code or data.
uninitialized section	A object file section that reserves space in the memory map but that has no actual contents. These sections are built with the .bss and .usect directives.
unsigned value	A value that is treated as a nonnegative number, regardless of its actual sign.
variable	A symbol representing a quantity that can assume any of a set of values.
word	A 16-bit addressable location in target memory

Changes from August 31, 2020 to December 15, 2020 (from Revision W (August 2020) to Revision X (December 2020))

	Page
• MISRA-C checking is no longer supported.....	19
• MISRA-C checking is no longer supported.....	28
• Clarified that --opt_level=4 must be placed before --run_linker option.....	56
• Pragmas for MISRA-C checking are no longer supported.....	90

The following table lists changes made to this document prior to changes to the document numbering format. The left column identifies the first version of this document in which that particular change appeared.

Earlier Revisions

Version Added	Chapter	Location	Additions / Modifications / Deletions
SLAU132V	Linking	Section 4.3.7	Clarified that either --rom_model or --ram_model is required if only the linker is being run, but --rom_model is the default if the compiler runs on C/C++ files on the same command line.
SLAU132V	C/C++ Language	Section 5.11.24	The #pragma once is now documented for use in header files.
SLAU132V	Run-Time Environment	Section 6.9.3.1	Clarified that zero initialization takes place only if the --rom_model linker option is used, not if the --ram_model option is used.
SLAU132U		-- throughout --	The default file extensions for object files created by the compiler have been changed in order to prevent conflicts when C and C++ files have the same names. Object files generated from C source files have the .c.obj extension. Object files generated from C++ source files have the .cpp.obj extension.
SLAU132U	Using the Compile	Section 2.3 and Section 2.3.2	The --gen_func_info_listing compiler option is now documented.
SLAU132T	Using the Compiler	Section 2.3.1	Added the --emit_references:file linker option.
SLAU132T	Using the Compiler	Section 2.5.1	Documented that C standard macros such as __STDC_VERSION__ are supported.
SLAU132T	C/C++ Language	Section 5.11.4	Added documentation for the CODE_ALIGN pragma.
SLAU132T	C/C++ Language	Section 5.11.21	Clarify section placement for the NOINIT and PERSISTENT pragmas.
SLAU132T	C/C++ Language	Section 5.11.30	Added documentation for the WEAK pragma.
SLAU132T	C/C++ Language	Section 5.15.1	Updated list of C99 non-supported run-time functions.
SLAU132T	C/C++ Language	Section 5.16.2	Added documentation for the aligned, calls, naked, and weak function attributes.
SLAU132T	C/C++ Language	Section 5.16.3	Added documentation for the location and packed variable attributes.
SLAU132T	Run-Time Support Functions	DEV_lseek topic	Corrected syntax documented for DEV_lseek function.
SLAU132S	Introduction, Using the Compiler, C/C++ Language	Section 1.3 , Section 2.3 , Section 5.1 , and Section 5.15.2	Added support for C11.
SLAU132S	Using the Compiler	Section 2.3.1	Added the --ecc=on linker option, which enables ECC generation. Note that ECC generation is now off by default.

Earlier Revisions (continued)

Version Added	Chapter	Location	Additions / Modifications / Deletions
SLAU132S	Using the Compiler	Section 2.5.1	The <code>__TI_STRICT_ANSI_MODE__</code> and <code>__TI_STRICT_FP_MODE__</code> macros are defined as 0 if their conditions are false.
SLAU132S	Using the Compiler, C/C++ Language	Section 2.11 and Section 5.11	Revised the section on inline function expansion and its subsections to include new pragmas and changes to the compilers decision-making about what functions to inline. The <code>FORCEINLINE</code> , <code>FORCEINLINE_RECURSIVE</code> , and <code>NOINLINE</code> pragmas have been added.
SLAU132S	C/C++ Language	Section 5.2	C++11 features related to atomics are now supported. In addition, removed several C++ features from the exception list because they have been supported for several releases.
SLAU132S	C/C++ Language	Section 5.6	Added information about character sets and file encoding.
SLAU132S	C/C++ Language	Section 5.16.2 and Section 5.16.3	Added "retain" as a function attribute and variable attribute.
SLAU132R	Using the Compiler, C/C++ Language	Section 2.3 and Section 5.2	The compiler now follows the C++14 standard.
SLAU132R	C/C++ Language	Section 5.16	The compiler now supports several Clang <code>__has_</code> macro extensions.
SLAU132R	C/C++ Language	Section 5.16.1	The wrapper header file GCC extension (<code>#include_next</code>) is now supported.
SLAU132Q	C/C++ Language	Section 5.2	Preliminary changes have been made in order to support C++14 in a future release. These changes may cause linktime errors. Recompile object files to resolve these errors.
SLAU132Q	C/C++ Language	Section 5.7.1	Clarified exceptions to <code>const</code> data storage set by the <code>const</code> keyword.
SLAU132P	Optimization	Section 3.7.1.4	Corrected error in command to process the profile data.
SLAU132O	Using the Compiler, C/C++ Language	Section 2.3.3	Revised to state that <code>--check_misra</code> option is required even if the <code>CHECK_MISRA</code> pragma is used.
SLAU132O	Using the Compiler	Section 2.10	Corrected the document to describe the <code>---gen_preprocessor_listing</code> option. The name <code>--gen_parser_listing</code> was incorrect.
SLAU132O	Run-Time Environment	Section 6.1.3	State that certain MSP430 devices do have writeable memory above the 64K boundary.
SLAU132N	Optimization	Section 3.7.3	Corrected function names for <code>_TI_start_pprof_collection()</code> and <code>_TI_stop_pprof_collection()</code> .
SLAU132N	C/C++ Language	Section 5.16.2	Added the <code>call_conv</code> function attribute to allow IAR and TI compilers to link against the same ROM image.
SLAU132M	Using the Compiler	Section 2.3	The <code>--align_for_power</code> option has been added.
SLAU132M	Using the Compiler	Section 2.3	The default for <code>--cinit_compression</code> and <code>--copy_compression</code> has been changed from RLE to LZSS.
SLAU132M	Using the Compiler	Section 2.3	Settings available for use with the <code>--silicon_errata</code> option are now documented.
SLAU132M	Using the Compiler	--	Several compiler options have been deprecated, removed, or renamed. The compiler continues to accept some of the deprecated options, but they are not recommended for use.
SLAU132L	Using the Compiler	Section 2.3 and Section 4.2.2	The <code>--gen_data_subsections</code> option has been added.
SLAU132L	Using the Compiler	Section 2.3.5	The <code>--symdebug:dwarf_version</code> compiler option has been added. This option sets the DWARF debugging format version used.
SLAU132L	Optimization	Section 3.7 and Section 3.8	Feedback directed optimization is described. This technique can be used for code coverage analysis.
SLAU132L	C/C++ Language	Section 5.11.2	A <code>CALLS</code> pragma has been added to specify a set of functions that can be called indirectly from a specified calling function. Using this pragma allows such indirect calls to be included in the calculation of a functions' inclusive stack size.
SLAU132L	Run-Time Environment	Section 6.8	Intrinsics have been added for saturated addition and subtraction of shorts and longs.
SLAU132L	Run-Time Environment	Section 6.9.1	Additional boot hook functions are available. These can be customized for use during system initialization.

Earlier Revisions (continued)

Version Added	Chapter	Location	Additions / Modifications / Deletions
SLAU132K	Introduction	Section 1.4	The COFF object file format is no longer supported. The MSP430 Code Generation Tools now support only the Embedded Application Binary Interface (EABI) ABI, which works only with object files that use the ELF object file format and the DWARF debug format. Sections of this document that referred to the COFF format have been removed or simplified. If you would like to produce COFF output files, please use v4.4 of the MSP430 Code Generation Tools and refer to SLAU132J for documentation. The <code>--abi=coff</code> , <code>--symdebug:profile_coff</code> , <code>--no_sym_merge</code> , and <code>--diablib_clink</code> options have been deprecated.
SLAU132K	Using the Compiler	Section 2.3.4	The <code>--ramfunc</code> option has been added. If set, this option places all functions in RAM.
SLAU132K	C/C++ Language	Section 5.16.2	The <code>ramfunc</code> function attribute has been added. It specifies that a function should be placed in RAM.
SLAU132K	Run-Time Environment	Section 6.1.5	Corrected documentation to state that R1 is the stack pointer.
SLAU132I	Introduction	Section 1.3	Added support for C99 and C++03.
SLAU132I	Using the Compiler	Table 2-7 and Section 5.4	Added <code>--advice:hw_config</code> option for ULP Advisor checking of device configuration.
SLAU132I	Using the Compiler	Table 2-9	Added support for C99 and C++03. The <code>-gcc</code> option has been deprecated. The <code>--relaxed_ansi</code> option is now the default.
SLAU132I	Using the Compiler	Table 2-9	Removed documentation of precompiled headers, which are not supported for MSP430.
SLAU132I	Using the Compiler	Table 2-12 and Section 2.7.1	Added <code>--section_sizes</code> option for diagnostic reporting of section sizes.
SLAU132J	Using the Compiler	Table 2-14 and Section 2.3.4	Added <code>--disable_interrupts_around_hw_mpy</code> option.
SLAU132J	Using the Compiler	Table 2-14 and Section 2.3.4	The <code>--use_hw_mpy</code> option is now a compiler option and performs additional actions at compile time.
SLAU132J	Using the Compiler	Section 2.5.3	Documented that the <code>#warning</code> and <code>#warn</code> preprocessor directives are supported.
SLAU132J	Using the Compiler	Section 2.6	Added section on techniques for passing arguments to <code>main()</code> .
SLAU132I	Using the Compiler	Section 2.11	Documented that the <code>inline</code> keyword is now enabled in all modes except C89 strict ANSI mode.
SLAU132J	C/C++ Language	Section 5.1.1	Added section documenting implementation-defined behavior.
SLAU132I	C/C++ Language	Section 5.3 , Section 5.11.3 , and Section 5.11.26	Added pragmas for enabling/resetting ULP Advisor rule checks.
SLAU132J	C/C++ Language	Section 5.5.1	Added documentation on the size of enum types.
SLAU132J	C/C++ Language	Section 5.11.19 , Section 5.11.27 , and Section 5.16.2	Added C++ syntax for the <code>INTERRUPT</code> and <code>RETAIN</code> pragmas. Also removed unnecessary semicolons from <code>#pragma</code> syntax specifications. Also the GCC <code>interrupt</code> and <code>alias</code> function attributes are now supported.
SLAU132J	C/C++ Language	Section 5.11.8	Added the <code>diag_push</code> and <code>diag_pop</code> diagnostic message pragmas.
SLAU132I	C/C++ Language	Section 5.15 , Section 5.15.1 , and Section 5.15.3	Added support for C99 and C++03. The <code>--relaxed_ansi</code> option is now the default and <code>--strict_ansi</code> is the other option; "normal mode" for standards violation strictness is no longer available.
SLAU132J	Run-Time Environment	Section 6.5	Added reference to section on accessing linker symbols in C and C++ in the <i>Assembly Language Tools User's Guide</i> .
SLAU132I	Run-Time Environment	Section 6.8.1 and Section 6.8.4	Corrected: <code>__never_executed</code> intrinsic has two underscores as the prefix.
SLAU132J	Run-Time Support Functions	Section 7.1.3	RTS source code is no longer provided in a <code>rtssrc.zip</code> file. Instead, it is located in separate files in the <code>lib/src</code> subdirectory of the compiler installation.
SLAU132J	C++ Name Demangler	Section 8.1	Corrected information about name demangler options.

This page intentionally left blank.

IMPORTANT NOTICE AND DISCLAIMER

TI PROVIDES TECHNICAL AND RELIABILITY DATA (INCLUDING DATASHEETS), DESIGN RESOURCES (INCLUDING REFERENCE DESIGNS), APPLICATION OR OTHER DESIGN ADVICE, WEB TOOLS, SAFETY INFORMATION, AND OTHER RESOURCES "AS IS" AND WITH ALL FAULTS, AND DISCLAIMS ALL WARRANTIES, EXPRESS AND IMPLIED, INCLUDING WITHOUT LIMITATION ANY IMPLIED WARRANTIES OF MERCHANTABILITY, FITNESS FOR A PARTICULAR PURPOSE OR NON-INFRINGEMENT OF THIRD PARTY INTELLECTUAL PROPERTY RIGHTS.

These resources are intended for skilled developers designing with TI products. You are solely responsible for (1) selecting the appropriate TI products for your application, (2) designing, validating and testing your application, and (3) ensuring your application meets applicable standards, and any other safety, security, or other requirements. These resources are subject to change without notice. TI grants you permission to use these resources only for development of an application that uses the TI products described in the resource. Other reproduction and display of these resources is prohibited. No license is granted to any other TI intellectual property right or to any third party intellectual property right. TI disclaims responsibility for, and you will fully indemnify TI and its representatives against, any claims, damages, costs, losses, and liabilities arising out of your use of these resources.

TI's products are provided subject to TI's Terms of Sale (www.ti.com/legal/termsofsale.html) or other applicable terms available either on ti.com or provided in conjunction with such TI products. TI's provision of these resources does not expand or otherwise alter TI's applicable warranties or warranty disclaimers for TI products.

Mailing Address: Texas Instruments, Post Office Box 655303, Dallas, Texas 75265
Copyright © 2020, Texas Instruments Incorporated