

High Common-Mode Differential Input Voltage to $\pm 10\text{-V}$ ADC Input Circuit



Aaron Estrada

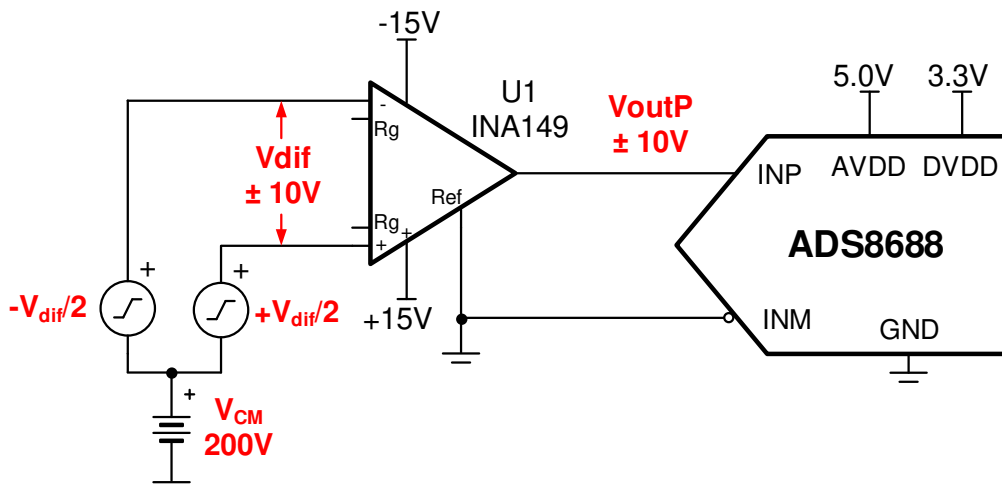
Input	ADC Input	Digital Output ADS8688
$V_{inDiffMin} = -10.24\text{V}$	$CH_x = -10.24\text{V}$	0000 _H
$V_{inDiffMax} = +10.24\text{V}$	$CH_x = +10.24\text{V}$	FFFF _H

Power Supplies

AVDD	DVDD	AGND	DGND
5.0V	3.3V	GND	GND

Design Description

The purpose of this cookbook is to demonstrate the advantages and disadvantages of using difference amplifiers or instrumentation amplifiers to translate a signal with a high common mode voltage (V_{cm}) to a level that the [ADS86XX](#) family can accept. The [ADS86XX](#) family cannot support a high V_{cm} so using a difference or instrumentation amplifier to drive the ADC solves this issue. The [INA828](#) device is an instrumentation amplifier with very high input impedance (100G Ω), excellent DC precision, and low noise. The INA828 can accept common-mode signals in the range of its supply voltage ($\pm 15\text{V}$). The [INA149](#) device is a unity-gain difference amplifier with a high input common-mode voltage range of up to $\pm 275\text{V}$, but the input impedance is lower than the INA828 device (differential = 800k Ω , common mode = 200k Ω). The ADS86XX family of ADCs has an integrated analog front end (AFE) and multiplexer which makes it an excellent candidate for a [PLC \(analog input module\)](#), [protection relay](#), [grid automation](#), and other various industrial applications.



Specifications

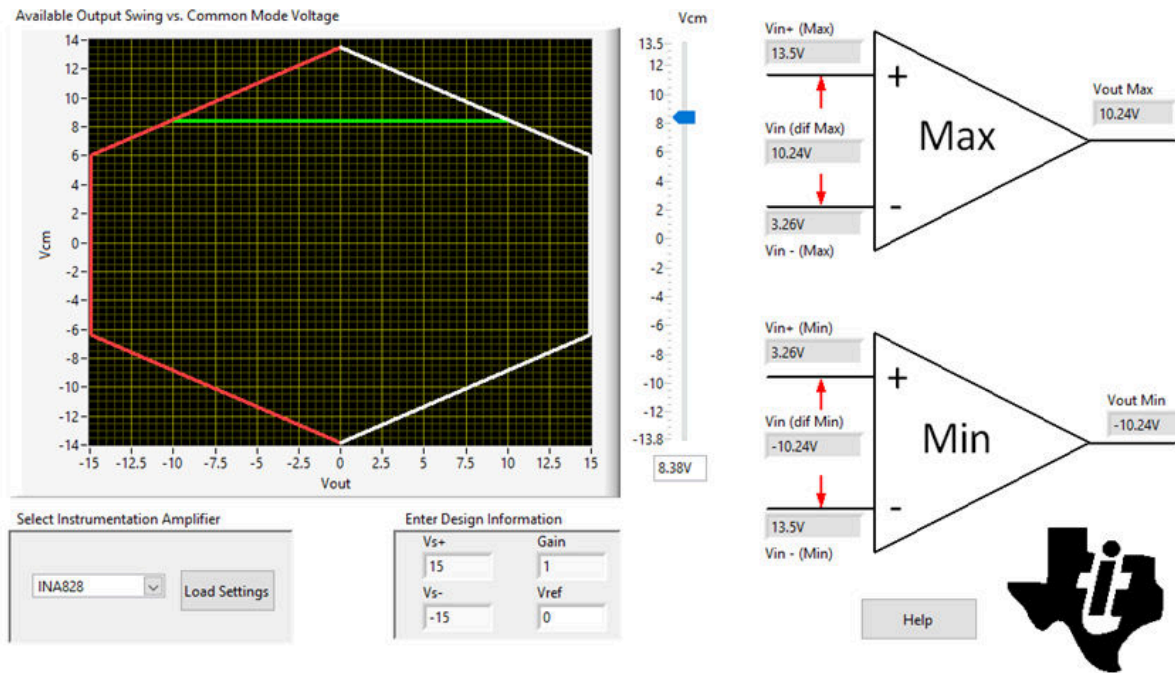
Specification	Calculated	Simulated	Measured
INA149 Common-Mode Voltage (VCM)	275V	275V	275V
INA828 Common-Mode Voltage (VCM)	8.38V	8.38V	7.5V
INA149 Integrated Noise	487 μ V	487.3 μ V	488 μ V
INA828 Integrated Noise	150 μ V	150 μ V	154 μ V

Design Notes

- The [ADS86XX](#) family of HV SAR ADCs was selected because of the integrated analog front end and multiplexer. The integrated AFE eliminates the use of extra components to drive the ADC.
- The [INA149](#) device was selected to provide a very high common-mode voltage ($V_{cm} = \pm 275V$).
- Comparing the [INA828](#) device to the [INA149](#) shows that the INA828 device has high input impedance (100G Ω), and the INA149 device has lower input impedance (differential = 800k Ω , common mode = 200k Ω). Also, the INA149 device has very wide common mode ($V_{cm} = \pm 275V$) but the INA828 common mode range is limited to the supply range (for example, $\pm 15V$). In cases where high input impedance is required, the INA828 device can be used, but be careful to not violate common-mode range. Note that high input impedance is important when the sensor output impedance is high as this creates a voltage divider effect and introduce error.
- In this example, the input signal is $\pm 10.24V$. Therefore, resistor R_g is not needed to set the Gain = 1 for the INA828 device. If the input signal is smaller, use the appropriate resistor value to set the gain with a proper reference voltage on reference pin to achieve an input swing that matches the input range of the ADC.
- Check the common mode range of the instrumentation amplifier using the [Common-Mode Input Range Calculator for Instrumentation Amplifiers](#) software tool.
- If gain is required, use 0.1% 20ppm/ $^{\circ}C$ film resistors or better for the gain setting resistor (R_g) to achieve best gain accuracy and low gain drift.

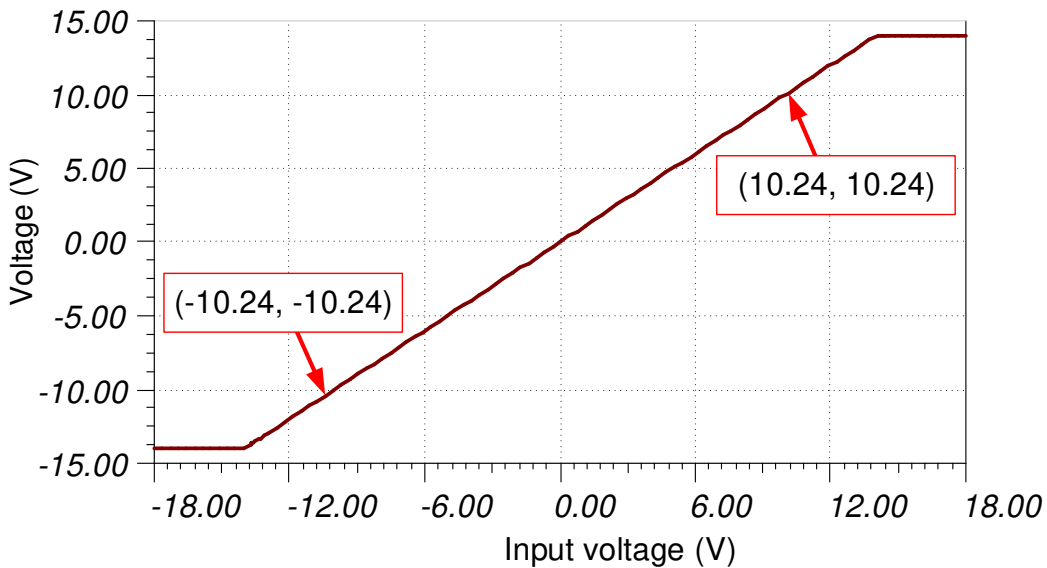
Component Selection

- The ADS86XX can accept a single-ended input signal of $\pm 10.24V$. In this example, the input signal is $\pm 10.24V$ so no external gain set resistor is required for the INA828 device. The INA149 device is a unity gain difference amplifier so no extra components are necessary.
- The INA828 reference voltage input is used to shift inputs to match the input range of the ADC. In this example, the ADC input range is symmetrical so the reference pin is grounded.
- Determine if the INA828 device is violating the common-mode range by using the [Common-Mode Input Range Calculator for Instrumentation amplifiers](#). In this example, the INA828 device shows that you can achieve a maximum VCM of 8.38V with $\pm 15V$ supplies, Gain = 1, and $V_{ref} = 0V$.



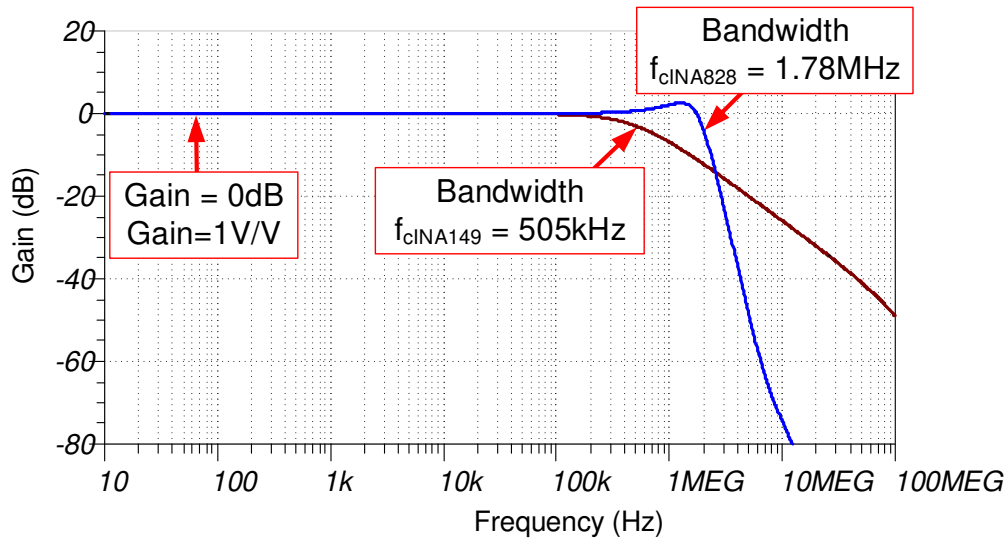
DC Transfer Characteristics

The following graphs show a linear output response for the INA149 device. The input range of the ADC is $\pm 10.24\text{V}$ so the amplifier is linear well beyond the range the ADC requires. Refer to [Determining a SAR ADC's Linear Range](#) when using instrumentation amplifiers for detailed theory on this subject.



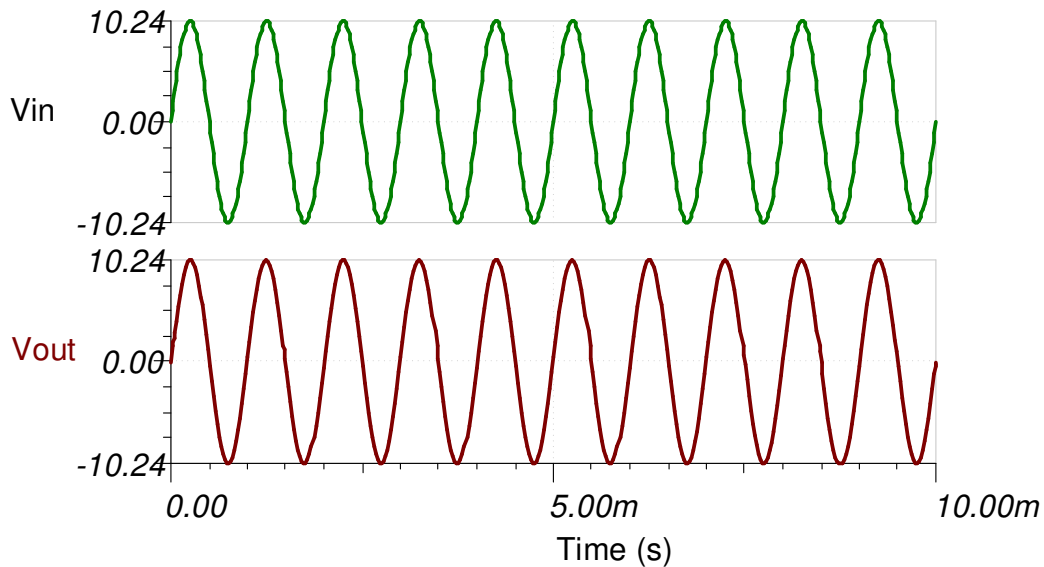
AC Transfer Characteristics

The simulated bandwidth for the INA149 device is 505kHz at gain = 1V/V, or 0dB. The simulated bandwidth for the INA828 device is 1.78MHz at a gain of 0dB. Both of the simulated bandwidths closely match the respective data sheets. See [Amplifier Bandwidth Video Series](#) for more details on this subject.

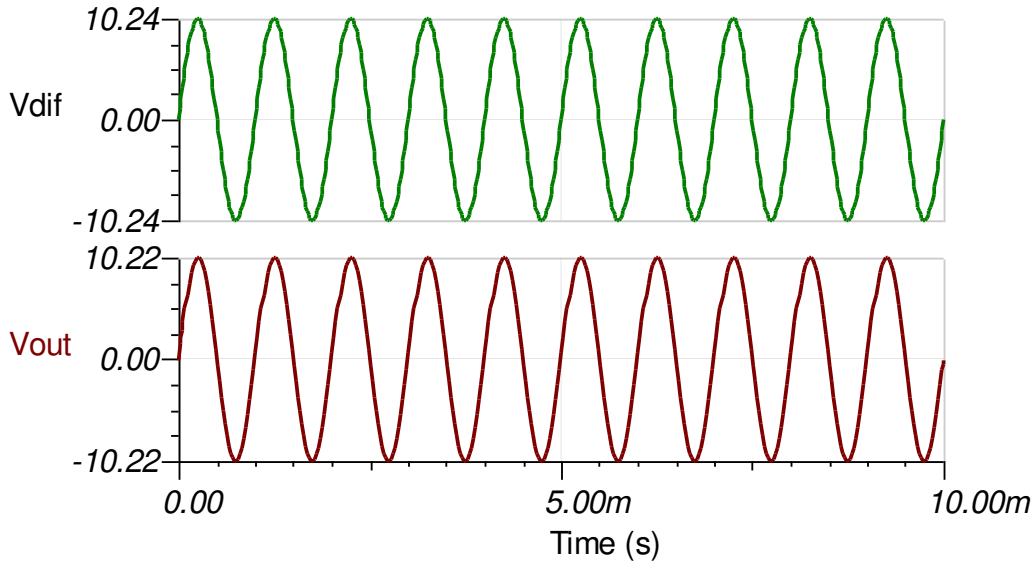


Transient ADC Input Settling Simulation

The INA149 device was simulated with a $\pm 10.24\text{-V}$ differential input and a 275-V common-mode voltage. The following TINA simulation shows the differential input as well as the single-ended output for the INA149 device. The device has no issue with a common-mode voltage of 200V.



The INA828 device was simulated with a $\pm 10.24\text{-V}$ differential input and a 7.75-V common-mode voltage. The following TINA simulation shows the differential input as well as the single-ended output for the INA828 device.



Noise Simulation

The section provides simplified noise calculations for the INA149 and INA828 devices. The simulated results closely match the calculated results. Refer to [Op Amps: Noise 4](#) for detailed theory on amplifier noise calculations, and [Calculating the Total Noise for ADC Systems](#) for data converter noise.

INA149 integrated noise :

$$E_{n\text{INA149}} = e_{ni} \sqrt{f_c} \cdot K_n = (550\text{nV} / \sqrt{\text{Hz}}) \sqrt{505\text{kHz} \cdot 1.57} = 489\mu\text{V}_{\text{RMS}}$$

INA828 integrated noise :

$$E_{n\text{INA828}} = \text{Gain} \sqrt{e_{ni}^2 + e_{no}^2} \sqrt{f_c} \cdot K_n = (1) \sqrt{(7\text{nV} / \sqrt{\text{Hz}})^2 + (90\text{nV} / \sqrt{\text{Hz}})^2} \sqrt{1.78\text{MHz} \cdot 1.57} = 151\mu\text{V}_{\text{RMS}}$$

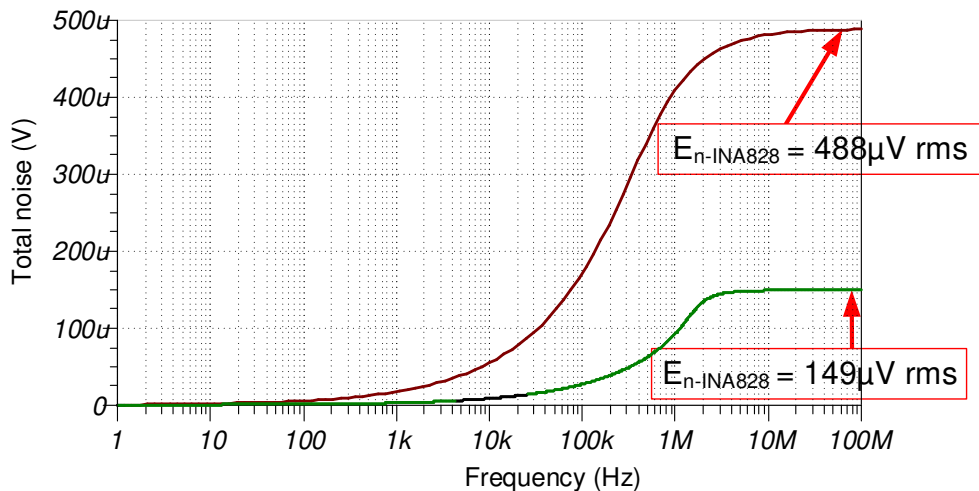
The ADS8688 device has an internal second-order 15-kHz LPF. This filter significantly reduces the noise from the instrumentation amplifiers.

INA149 integrated noise :

$$E_{n\text{INA149}} = e_{ni} \sqrt{f_c} \cdot K_n = (550\text{nV} / \sqrt{\text{Hz}}) \sqrt{15\text{kHz} \cdot 1.22} = 74.4\mu\text{V}_{\text{RMS}}$$

INA828 integrated noise :

$$E_{n\text{INA828}} = \text{Gain} \sqrt{e_{ni}^2 + e_{no}^2} \sqrt{f_c} \cdot K_n = (1) \sqrt{(7\text{nV} / \sqrt{\text{Hz}})^2 + (90\text{nV} / \sqrt{\text{Hz}})^2} \sqrt{15\text{kHz} \cdot 1.22} = 12.2\mu\text{V}_{\text{RMS}}$$



Design Featured Devices

Device	Key Features	Link	Other Possible Devices
ADS86XX	16-Bit Resolution, 4-,8-Channel MUX, SPI, 500ksps sample rate, on-chip 4.096V Reference	16-bit, 500-kSPS, 8-channel, single-supply SAR ADC with bipolar input ranges	Analog-to-digital converters (ADCs)
INA149	500kHz BW, Very High VCM, excellent nonlinearity	High Common Mode Voltage Difference Amplifier	Fully differential amplifiers
INA828	2MHz BW, Low Power 12nV/√Hz noise	50-μV Offset, 7-nV/√Hz Noise, Low-Power, Precision Instrumentation Amplifier	Instrumentation amplifiers

Link to Key Files

Texas Instruments, [SBAC224 source files](#), software support

Trademarks

All trademarks are the property of their respective owners.

IMPORTANT NOTICE AND DISCLAIMER

TI PROVIDES TECHNICAL AND RELIABILITY DATA (INCLUDING DATA SHEETS), DESIGN RESOURCES (INCLUDING REFERENCE DESIGNS), APPLICATION OR OTHER DESIGN ADVICE, WEB TOOLS, SAFETY INFORMATION, AND OTHER RESOURCES "AS IS" AND WITH ALL FAULTS, AND DISCLAIMS ALL WARRANTIES, EXPRESS AND IMPLIED, INCLUDING WITHOUT LIMITATION ANY IMPLIED WARRANTIES OF MERCHANTABILITY, FITNESS FOR A PARTICULAR PURPOSE OR NON-INFRINGEMENT OF THIRD PARTY INTELLECTUAL PROPERTY RIGHTS.

These resources are intended for skilled developers designing with TI products. You are solely responsible for (1) selecting the appropriate TI products for your application, (2) designing, validating and testing your application, and (3) ensuring your application meets applicable standards, and any other safety, security, regulatory or other requirements.

These resources are subject to change without notice. TI grants you permission to use these resources only for development of an application that uses the TI products described in the resource. Other reproduction and display of these resources is prohibited. No license is granted to any other TI intellectual property right or to any third party intellectual property right. TI disclaims responsibility for, and you will fully indemnify TI and its representatives against, any claims, damages, costs, losses, and liabilities arising out of your use of these resources.

TI's products are provided subject to [TI's Terms of Sale](#) or other applicable terms available either on [ti.com](https://www.ti.com) or provided in conjunction with such TI products. TI's provision of these resources does not expand or otherwise alter TI's applicable warranties or warranty disclaimers for TI products.

TI objects to and rejects any additional or different terms you may have proposed.

Mailing Address: Texas Instruments, Post Office Box 655303, Dallas, Texas 75265
Copyright © 2024, Texas Instruments Incorporated