



Table of Contents

| | |
|--|-----------|
| 1 Overview | 2 |
| 2 Functional Safety Failure In Time (FIT) Rates | 3 |
| 2.1 VSSOP Package..... | 3 |
| 2.2 UQFN Package..... | 4 |
| 3 Failure Mode Distribution (FMD) | 5 |
| 4 Pin Failure Mode Analysis (Pin FMA) | 6 |
| 4.1 VSSOP Package..... | 6 |
| 4.2 UQFN Package..... | 9 |
| 5 Revision History | 12 |

Trademarks

All trademarks are the property of their respective owners.

1 Overview

This document contains information for the ADS1015-Q1 (VSSOP and UQFN packages) to aid in a functional safety system design. Information provided are:

- Functional safety failure in time (FIT) rates of the semiconductor component estimated by the application of industry reliability standards
- Component failure modes and their distribution (FMD) based on the primary function of the device
- Pin failure mode analysis (pin FMA)

Figure 1-1 shows the device functional block diagram for reference.

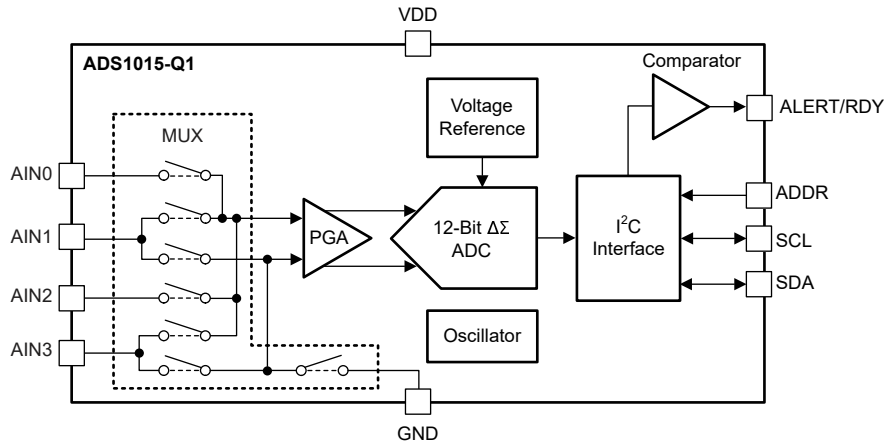


Figure 1-1. Functional Block Diagram

The ADS1015-Q1 was developed using a quality-managed development process, but was not developed in accordance with the IEC 61508 or ISO 26262 standards.

2 Functional Safety Failure In Time (FIT) Rates

2.1 VSSOP Package

This section provides functional safety failure in time (FIT) rates for the VSSOP package of the ADS1015-Q1 based on two different industry-wide used reliability standards:

- [Table 2-1](#) provides FIT rates based on IEC TR 62380 / ISO 26262 part 11
- [Table 2-2](#) provides FIT rates based on the Siemens Norm SN 29500-2

Table 2-1. Component Failure Rates per IEC TR 62380 / ISO 26262 Part 11

| FIT IEC TR 62380 / ISO 26262 | FIT (Failures Per 10 ⁹ Hours) |
|------------------------------|--|
| Total component FIT rate | 6 |
| Die FIT rate | 2 |
| Package FIT rate | 4 |

The failure rate and mission profile information in [Table 2-1](#) comes from the reliability data handbook IEC TR 62380 / ISO 26262 part 11:

- Mission profile: Motor control from table 11
- Power dissipation: 1.5 mW
- Climate type: World-wide table 8
- Package factor (lambda 3): Table 17b
- Substrate material: FR4
- EOS FIT rate assumed: 0 FIT

Table 2-2. Component Failure Rates per Siemens Norm SN 29500-2

| Table | Category | Reference FIT Rate | Reference Virtual T _J |
|-------|---|--------------------|----------------------------------|
| 5 | CMOS, BICMOS Digital, analog, or mixed | 25 FIT | 55°C |

The reference FIT rate and reference virtual T_J (junction temperature) in [Table 2-2](#) come from the Siemens Norm SN 29500-2 tables 1 through 5. Failure rates under operating conditions are calculated from the reference failure rate and virtual junction temperature using conversion information in SN 29500-2 section 4.

2.2 UQFN Package

This section provides functional safety failure in time (FIT) rates for the UQFN package of the ADS1015-Q1 based on two different industry-wide used reliability standards:

- [Table 2-3](#) provides FIT rates based on IEC TR 62380 / ISO 26262 part 11
- [Table 2-4](#) provides FIT rates based on the Siemens Norm SN 29500-2

Table 2-3. Component Failure Rates per IEC TR 62380 / ISO 26262 Part 11

| FIT IEC TR 62380 / ISO 26262 | FIT (Failures Per 10 ⁹ Hours) |
|------------------------------|--|
| Total component FIT rate | 4 |
| Die FIT rate | 2 |
| Package FIT rate | 2 |

The failure rate and mission profile information in [Table 2-3](#) comes from the reliability data handbook IEC TR 62380 / ISO 26262 part 11:

- Mission profile: Motor control from table 11
- Power dissipation: 1.5 mW
- Climate type: World-wide table 8
- Package factor (lambda 3): Table 17b
- Substrate material: FR4
- EOS FIT rate assumed: 0 FIT

Table 2-4. Component Failure Rates per Siemens Norm SN 29500-2

| Table | Category | Reference FIT Rate | Reference Virtual T _J |
|-------|---|--------------------|----------------------------------|
| 5 | CMOS, BICMOS Digital, analog, or mixed | 25 FIT | 55°C |

The reference FIT rate and reference virtual T_J (junction temperature) in [Table 2-4](#) come from the Siemens Norm SN 29500-2 tables 1 through 5. Failure rates under operating conditions are calculated from the reference failure rate and virtual junction temperature using conversion information in SN 29500-2 section 4.

3 Failure Mode Distribution (FMD)

The failure mode distribution estimation for the ADS1015-Q1 in [Table 3-1](#) comes from the combination of common failure modes listed in standards such as IEC 61508 and ISO 26262, the ratio of sub-circuit function size and complexity and from best engineering judgment.

The failure modes listed in this section reflect random failure events and do not include failures due to misuse or overstress.

Table 3-1. Die Failure Modes and Distribution

| Die Failure Modes | Failure Mode Distribution (%) |
|---|--------------------------------------|
| Incorrect channel selected | 20% |
| Channel-channel short | 10% |
| ADC output code bit error | 15% |
| ADC gain out of specification | 15% |
| ADC offset out of specification | 15% |
| Communication error | 20% |
| ALERT/RDY pin false trip or fails to trip | 5% |

4 Pin Failure Mode Analysis (Pin FMA)

This section provides a failure mode analysis (FMA) for the pins of the ADS1015-Q1 (VSSOP and UQFN packages). The failure modes covered in this document include the typical pin-by-pin failure scenarios:

- Pin short-circuited to ground (see [Table 4-2](#) and [Table 4-6](#))
- Pin open-circuited (see [Table 4-3](#) and [Table 4-7](#))
- Pin short-circuited to an adjacent pin (see [Table 4-4](#) and [Table 4-8](#))
- Pin short-circuited to VDD (see [Table 4-5](#) and [Table 4-9](#))

[Table 4-2](#) through [Table 4-9](#) also indicate how these pin conditions can affect the device as per the failure effects classification in [Table 4-1](#).

Table 4-1. TI Classification of Failure Effects

| Class | Failure Effects |
|-------|--|
| A | Potential device damage that affects functionality. |
| B | No device damage, but loss of functionality. |
| C | No device damage, but performance degradation. |
| D | No device damage, no impact to functionality or performance. |

Following are the assumptions of use and the device configuration assumed for the pin FMA in this section:

- RC filters on every analog input, AINx. Series resistors are sized to limit the input currents into the analog inputs to <10 mA in all circumstances (for example, if the device is unpowered and an input signal is applied).
- External pullup resistors on the SDA, SCL, and ALERT/RDY pins to VDD.
- External pulldown resistor on the ADDR pin to GND (I²C address = 48h) or a pullup resistor to VDD (I²C address = 49h). Other I²C address configurations are not considered.
- The device is the only target on the I²C bus.

4.1 VSSOP Package

[Figure 4-1](#) shows the ADS1015-Q1 pin diagram for the VSSOP package. For a detailed description of the device pins, see the *Pin Configuration and Functions* section in the ADS1015-Q1 data sheet.

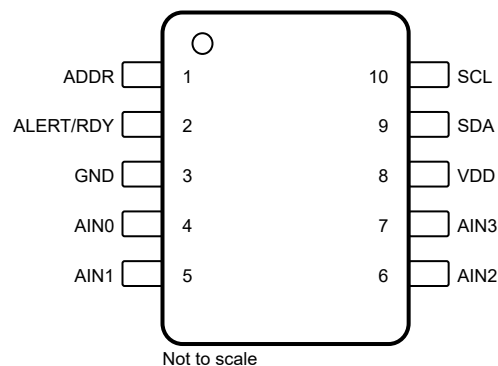


Figure 4-1. Pin Diagram (VSSOP) Package

Table 4-2. Pin FMA for Device Pins Short-Circuited to Ground

| Pin Name | Pin No. | Description of Potential Failure Effects | Failure Effect Class |
|-----------|---------|---|----------------------|
| ADDR | 1 | Pullup resistor on the ADDR pin to VDD: ADDR is stuck low. No I ² C communication with the device is possible because of change in I ² C address configuration. | B |
| | | Pulldown resistor on the ADDR pin to GND: ADDR is stuck low. No effect. Normal operation. | D |
| ALERT/RDY | 2 | ALERT/RDY is stuck low. No or incorrect alert or data-ready indication to host. | B |
| GND | 3 | No effect. Normal operation. | D |
| AIN0 | 4 | AIN0 is stuck low. Conversion results for multiplexer channel combinations using AIN0 are corrupted, unless AIN0 is tied to GND anyway. | B |
| AIN1 | 5 | AIN1 is stuck low. Conversion results for multiplexer channel combinations using AIN1 are corrupted, unless AIN1 is tied to GND anyway. | B |
| AIN2 | 6 | AIN2 is stuck low. Conversion results for multiplexer channel combinations using AIN2 are corrupted, unless AIN2 is tied to GND anyway. | B |
| AIN3 | 7 | AIN3 is stuck low. Conversion results for multiplexer channel combinations using AIN3 are corrupted, unless AIN3 is tied to GND anyway. | B |
| VDD | 8 | The device is unpowered and not functional. Observe that the absolute maximum ratings for all pins of the device are met, otherwise device damage is plausible. | A |
| SDA | 9 | SDA is stuck low. No I ² C communication with the device is possible. | B |
| SCL | 10 | SCL is stuck low. No I ² C communication with the device is possible. | B |

Table 4-3. Pin FMA for Device Pins Open-Circuited

| Pin Name | Pin No. | Description of Potential Failure Effects | Failure Effect Class |
|-----------|---------|--|----------------------|
| ADDR | 1 | The state of the ADDR input is undetermined. The I ² C address of the device is undetermined. I ² C communication with the device is not possible if the host assumes a different I ² C address than the device is set to. | B |
| ALERT/RDY | 2 | No alert or data-ready indication to the host is possible. | B |
| GND | 3 | Device functionality is undetermined. The device can be unpowered or connected to ground internally through an alternate pin ESD diode and power up. | B |
| AIN0 | 4 | The state of the AIN0 input is undetermined. Conversion results for multiplexer channel combinations using AIN0 are undetermined. | B |
| AIN1 | 5 | The state of the AIN1 input is undetermined. Conversion results for multiplexer channel combinations using AIN1 are undetermined. | B |
| AIN2 | 6 | The state of the AIN2 input is undetermined. Conversion results for multiplexer channel combinations using AIN2 are undetermined. | B |
| AIN3 | 7 | The state of the AIN3 input is undetermined. Conversion results for multiplexer channel combinations using AIN3 is undetermined. | B |
| VDD | 8 | Device functionality is undetermined. The device is unpowered if all external analog and digital pins are held low. The device can power up through internal ESD diodes to VDD if voltages above the device power-on reset threshold are present on any of the analog or digital pins. | B |
| SDA | 9 | No I ² C communication with the device is possible. | B |
| SCL | 10 | No I ² C communication with the device is possible. | B |

Table 4-4. Pin FMA for Device Pins Short-Circuited to Adjacent Pin

| Pin Name | Pin No. | Shorted to | Description of Potential Failure Effects | Failure Effect Class |
|-----------|---------|------------|---|----------------------|
| ADDR | 1 | ALERT/RDY | Pullup resistor on the ADDR pin to VDD: I ² C communication is corrupted because of change in I ² C address configuration when ALERT/RDY drives low. | B |
| | | | Pulldown resistor on the ADDR pin to GND: I ² C address of the device is undetermined when ALERT/RDY drives high. I ² C communication with the device is not possible if the host assumes a different I ² C address than the device is set to. No or incorrect alert or data-ready indication to host. | B |
| ALERT/RDY | 2 | GND | ALERT/RDY is stuck low. No or incorrect alert or data-ready indication to host. | B |
| GND | 3 | AIN0 | AIN0 is stuck low. Conversion results for multiplexer channel combinations using AIN0 are corrupted, unless AIN0 is tied to GND anyway. | B |
| AIN0 | 4 | AIN1 | Conversion results for multiplexer channel combinations using AIN0 or AIN1 are undetermined. | B |
| AIN1 | 5 | AIN2 | Not considered. Corner pin. | D |
| AIN2 | 6 | AIN3 | Conversion results for multiplexer channel combinations using AIN2 or AIN3 are undetermined. | B |
| AIN3 | 7 | VDD | AIN3 is stuck high. Conversion results for multiplexer channel combinations using AIN3 are corrupted, unless AIN3 is tied to VDD anyway. | B |
| VDD | 8 | SDA | SDA is stuck high. No I ² C communication with the device is possible. High SDA input current when the device tries to drive SDA low. Device damage is plausible. | A |
| SDA | 9 | SCL | I ² C communication is corrupted. No I ² C communication with the device is possible. | B |
| SCL | 10 | ADDR | Not considered. Corner pin. | D |

Table 4-5. Pin FMA for Device Pins Short-Circuited to VDD

| Pin Name | Pin No. | Description of Potential Failure Effects | Failure Effect Class |
|-----------|---------|--|----------------------|
| ADDR | 1 | Pullup resistor on the ADDR pin to VDD: ADDR is stuck high. No effect. Normal operation. | D |
| | | Pulldown resistor on the ADDR pin to GND: ADDR is stuck high. No I ² C communication with the device is possible because of change in I ² C address configuration. | B |
| ALERT/RDY | 2 | ALERT/RDY is stuck high. No or incorrect alert or data-ready indication to host. High ALERT/RDY input current when ALERT/RDY tries to drive low. Device damage is plausible. | A |
| GND | 3 | The device is unpowered and not functional. Observe that the absolute maximum ratings for all pins of the device are met, otherwise device damage is plausible. | A |
| AIN0 | 4 | AIN0 is stuck high. Conversion results for multiplexer channel combinations using AIN0 are corrupted, unless AIN0 is tied to VDD anyway. | B |
| AIN1 | 5 | AIN1 is stuck high. Conversion results for multiplexer channel combinations using AIN1 are corrupted, unless AIN1 is tied to VDD anyway. | B |
| AIN2 | 6 | AIN2 is stuck high. Conversion results for multiplexer channel combinations using AIN2 are corrupted, unless AIN2 is tied to VDD anyway. | B |
| AIN3 | 7 | AIN3 is stuck high. Conversion results for multiplexer channel combinations using AIN3 are corrupted, unless AIN3 is tied to VDD anyway. | B |
| VDD | 8 | No effect. Normal operation. | D |
| SDA | 9 | SDA is stuck high. No I ² C communication with the device is possible. High SDA input current when the device tries to drive SDA low. Device damage is plausible. | A |
| SCL | 10 | SCL is stuck high. No I ² C communication with the device is possible. | B |

4.2 UQFN Package

Figure 4-2 shows the ADS1015-Q1 pin diagram for the UQFN package. For a detailed description of the device pins, see the *Pin Configuration and Functions* section in the ADS1015-Q1 data sheet.

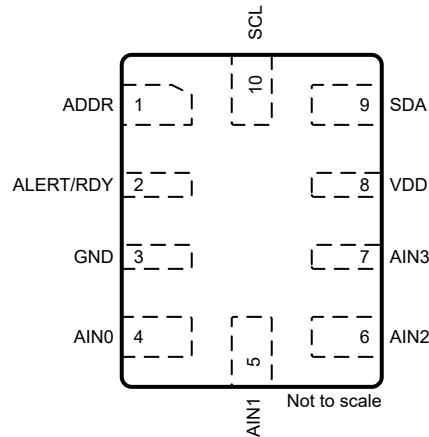


Figure 4-2. Pin Diagram (UQFN Package)

Table 4-6. Pin FMA for Device Pins Short-Circuited to Ground

| Pin Name | Pin No. | Description of Potential Failure Effects | Failure Effect Class |
|-----------|---------|---|----------------------|
| ADDR | 1 | Pullup resistor on the ADDR pin to VDD: ADDR is stuck low. No I ² C communication with the device is possible because of change in I ² C address configuration. | B |
| | | Pulldown resistor on the ADDR pin to GND: ADDR is stuck low. No effect. Normal operation. | D |
| ALERT/RDY | 2 | ALERT/RDY is stuck low. No or incorrect alert or data-ready indication to host. | B |
| GND | 3 | No effect. Normal operation. | D |
| AIN0 | 4 | AIN0 is stuck low. Conversion results for multiplexer channel combinations using AIN0 are corrupted, unless AIN0 is tied to GND anyway. | B |
| AIN1 | 5 | AIN1 is stuck low. Conversion results for multiplexer channel combinations using AIN1 are corrupted, unless AIN1 is tied to GND anyway. | B |
| AIN2 | 6 | AIN2 is stuck low. Conversion results for multiplexer channel combinations using AIN2 are corrupted, unless AIN2 is tied to GND anyway. | B |
| AIN3 | 7 | AIN3 is stuck low. Conversion results for multiplexer channel combinations using AIN3 are corrupted, unless AIN3 is tied to GND anyway. | B |
| VDD | 8 | The device is unpowered and not functional. Observe that the absolute maximum ratings for all pins of the device are met, otherwise device damage is plausible. | A |
| SDA | 9 | SDA is stuck low. No I ² C communication with the device is possible. | B |
| SCL | 10 | SCL is stuck low. No I ² C communication with the device is possible. | B |

Table 4-7. Pin FMA for Device Pins Open-Circuited

| Pin Name | Pin No. | Description of Potential Failure Effects | Failure Effect Class |
|-----------|---------|--|----------------------|
| ADDR | 1 | The state of the ADDR input is undetermined. The I ² C address of the device is undetermined. I ² C communication with the device is not possible if the host assumes a different I ² C address than the device is set to. | B |
| ALERT/RDY | 2 | No alert or data-ready indication to host possible. | B |
| GND | 3 | Device functionality is undetermined. The device can be unpowered or connected to ground internally through an alternate pin ESD diode and power up. | B |
| AIN0 | 4 | The state of the AIN0 input is undetermined. Conversion results for multiplexer channel combinations using AIN0 are undetermined. | B |
| AIN1 | 5 | The state of the AIN1 input is undetermined. Conversion results for multiplexer channel combinations using AIN1 are undetermined. | B |
| AIN2 | 6 | The state of the AIN2 input is undetermined. Conversion results for multiplexer channel combinations using AIN2 are undetermined. | B |
| AIN3 | 7 | The state of the AIN3 input is undetermined. Conversion results for multiplexer channel combinations using AIN3 are undetermined. | B |
| VDD | 8 | Device functionality is undetermined. The device is unpowered if all external analog and digital pins are held low. The device can power up through internal ESD diodes to VDD if voltages above the device power-on reset threshold are present on any of the analog or digital pins. | B |
| SDA | 9 | No I ² C communication with the device is possible. | B |
| SCL | 10 | No I ² C communication with the device is possible. | B |

Table 4-8. Pin FMA for Device Pins Short-Circuited to Adjacent Pin

| Pin Name | Pin No. | Shorted to | Description of Potential Failure Effects | Failure Effect Class |
|-----------|---------|------------|---|----------------------|
| ADDR | 1 | ALERT/RDY | Pullup resistor on the ADDR pin to VDD: I ² C communication is corrupted because of change in I ² C address configuration when ALERT/RDY drives low. | B |
| | | | Pulldown resistor on the ADDR pin to GND: I ² C address of the device is undetermined when ALERT/RDY drives high. I ² C communication with the device is not possible if the host assumes a different I ² C address than the device is set to. No or incorrect alert or data-ready indication to host. | B |
| ALERT/RDY | 2 | GND | ALERT/RDY is stuck low. No or incorrect alert or data-ready indication to host. | B |
| GND | 3 | AIN0 | AIN0 is stuck low. Conversion results for multiplexer channel combinations using AIN0 are corrupted, unless AIN0 is tied to GND anyway. | B |
| AIN0 | 4 | AIN1 | Conversion results for multiplexer channel combinations using AIN0 or AIN1 are undetermined. | B |
| AIN1 | 5 | AIN2 | Conversion results for multiplexer channel combinations using AIN1 or AIN2 are undetermined. | B |
| AIN2 | 6 | AIN3 | Conversion results for multiplexer channel combinations using AIN2 or AIN3 are undetermined. | B |
| AIN3 | 7 | VDD | AIN3 is stuck high. Conversion results for multiplexer channel combinations using AIN3 are corrupted, unless AIN3 is tied to VDD anyway. | B |
| VDD | 8 | SDA | SDA is stuck high. No I ² C communication with the device is possible. High SDA input current when the device tries to drive SDA low. Device damage is plausible. | A |
| SDA | 9 | SCL | I ² C communication is corrupted. No I ² C communication with the device is possible. | B |
| SCL | 10 | ADDR | I ² C communication corrupted. No I ² C communication with the device is possible. | B |

Table 4-9. Pin FMA for Device Pins Short-Circuited to VDD

| Pin Name | Pin No. | Description of Potential Failure Effects | Failure Effect Class |
|-----------|---------|--|----------------------|
| ADDR | 1 | Pullup resistor on the ADDR pin to VDD: ADDR is stuck high. No effect. Normal operation. | D |
| | | Pulldown resistor on the ADDR pin to GND: ADDR is stuck high. No I ² C communication with the device is possible because of change in I ² C address configuration. | B |
| ALERT/RDY | 2 | ALERT/RDY is stuck high. No or incorrect alert or data-ready indication to host. High ALERT/RDY input current when ALERT/RDY tries to drive low. Device damage is plausible. | A |
| GND | 3 | The device is unpowered and not functional. Observe that the absolute maximum ratings for all pins of the device are met, otherwise device damage is plausible. | A |
| AIN0 | 4 | AIN0 is stuck high. Conversion results for multiplexer channel combinations using AIN0 are corrupted, unless AIN0 is tied to VDD anyway. | B |
| AIN1 | 5 | AIN1 is stuck high. Conversion results for multiplexer channel combinations using AIN1 are corrupted, unless AIN1 is tied to VDD anyway. | B |
| AIN2 | 6 | AIN2 is stuck high. Conversion results for multiplexer channel combinations using AIN2 are corrupted, unless AIN2 is tied to VDD anyway. | B |
| AIN3 | 7 | AIN3 is stuck high. Conversion results for multiplexer channel combinations using AIN3 are corrupted, unless AIN3 is tied to VDD anyway. | B |
| VDD | 8 | No effect. Normal operation. | D |
| SDA | 9 | SDA is stuck high. No I ² C communication with the device is possible. High SDA input current when the device tries to drive SDA low. Device damage is plausible. | A |
| SCL | 10 | SCL is stuck high. No I ² C communication with the device is possible. | B |

5 Revision History

NOTE: Page numbers for previous revisions may differ from page numbers in the current version.

| Changes from Revision * (November 2020) to Revision A (March 2023) | Page |
|---|-------------------|
| • Added NKS (UQFN) package information to document..... | 2 |
| • Changed all instances of legacy terminology to <i>controller</i> and <i>target</i> where I ² C is mentioned..... | 2 |

IMPORTANT NOTICE AND DISCLAIMER

TI PROVIDES TECHNICAL AND RELIABILITY DATA (INCLUDING DATA SHEETS), DESIGN RESOURCES (INCLUDING REFERENCE DESIGNS), APPLICATION OR OTHER DESIGN ADVICE, WEB TOOLS, SAFETY INFORMATION, AND OTHER RESOURCES "AS IS" AND WITH ALL FAULTS, AND DISCLAIMS ALL WARRANTIES, EXPRESS AND IMPLIED, INCLUDING WITHOUT LIMITATION ANY IMPLIED WARRANTIES OF MERCHANTABILITY, FITNESS FOR A PARTICULAR PURPOSE OR NON-INFRINGEMENT OF THIRD PARTY INTELLECTUAL PROPERTY RIGHTS.

These resources are intended for skilled developers designing with TI products. You are solely responsible for (1) selecting the appropriate TI products for your application, (2) designing, validating and testing your application, and (3) ensuring your application meets applicable standards, and any other safety, security, regulatory or other requirements.

These resources are subject to change without notice. TI grants you permission to use these resources only for development of an application that uses the TI products described in the resource. Other reproduction and display of these resources is prohibited. No license is granted to any other TI intellectual property right or to any third party intellectual property right. TI disclaims responsibility for, and you will fully indemnify TI and its representatives against, any claims, damages, costs, losses, and liabilities arising out of your use of these resources.

TI's products are provided subject to [TI's Terms of Sale](#) or other applicable terms available either on [ti.com](https://www.ti.com) or provided in conjunction with such TI products. TI's provision of these resources does not expand or otherwise alter TI's applicable warranties or warranty disclaimers for TI products.

TI objects to and rejects any additional or different terms you may have proposed.

Mailing Address: Texas Instruments, Post Office Box 655303, Dallas, Texas 75265
Copyright © 2023, Texas Instruments Incorporated