

ADS1298ECG-FE/ADS1198ECG-FE

This user's guide describes the characteristics, operation, and use of the ADS1298ECG-FE and ADS1198ECG-FE. The ADS1298ECG-FE and ADS1198ECG-FE are evaluation modules for the [ADS1298](#), an eight-channel, 24-bit, and [ADS1198](#), an eight-channel, 16-bit, analog-to digital converter (ADC). Both devices provide low-power, integrated analog front-end (AFE) designs for patient monitoring and portable and high-end electrocardiogram (ECG) and electroencephalogram (EEG) applications. This user's guide includes a complete circuit description, schematic diagram, and bill of materials.

The following related documents are available through the Texas Instruments web site at www.ti.com.

Device	Literature Number
ADS1298	SBAS459
ADS1198	SBAS471

Contents

1	ADS1298ECG-FE/ADS1198ECG-FE Overview	3
	1.1 Important Disclaimer Information	3
	1.2 Introduction	4
	1.3 Supported Features	4
	1.4 Features Not Supported in Current Version.....	4
	1.5 ADS1x98ECG-FE Hardware	5
	1.6 Minimum System Requirements for ADS1x98ECG-FE Evaluation Software.....	5
2	Quick Start	6
	2.1 Default Jumper/Switch Configuration	6
	2.2 ADS1x98ECG-FE Operation	7
3	Using the ADS1298ECG-FE Software	8
	3.1 Application User Menu	9
	3.2 Top-Level Application Controls	9
	3.3 About Tab	10
	3.4 ADC Register Tab.....	11
	3.5 Analysis Tab	19
	3.6 Save Tab	27
4	ADS1x98ECG-FE Input Signals.....	29
	4.1 Input Short Testing.....	29
	4.2 Internal Test Signals Input	29
	4.3 Temperature Sensor	30
	4.4 Normal Electrode Input	31
	4.5 MV _{DD} Input, RLD Measurement, RLD Positive Electrode Driver, and RLD Negative Electrode Driver	31
	4.6 Lead Derivation.....	32
	4.7 Wilson Center Terminal (WCT).....	32
	4.8 Right Leg Drive	32
	4.9 PACE Detection	33
5	ADS1298ECG-FE/ADS1198ECG-FE Hardware Details	35
	5.1 Jumper Description	36
	5.2 Power Supply	37
	5.3 Clock.....	38
	5.4 Reference	38
	5.5 Analog Output Signals.....	39

5.6	Digital Signals.....	39
5.7	Analog Input Signals.....	39
Appendix A	Schematics, BOM, Layout, and ECG Cable Details.....	41
Appendix B	External Optional Hardware.....	47
Appendix C	Software Installation.....	50

List of Figures

1	ADS1x98ECG-FE Kit.....	5
2	ADS1x98ECG-FE Default Jumper Locations.....	6
3	Software Start Screen/About Tab.....	8
4	User Menu - File Item.....	9
5	User Menu - Help Item.....	9
6	Top Level Controls.....	9
7	Lead-Off Status Registers Display Window.....	10
8	Channel Registers Tab.....	11
9	Internal Reference and Buffer Connections.....	12
10	Lead-Off Excitation Options.....	13
11	Input Multiplexer for a Single Channel.....	13
12	LOFF and RLD Tab.....	14
13	LOFF_STATP and LOFF_STATN Comparators.....	15
14	GPIO and OTHER Register Tab.....	16
15	Wilson Central and Augmented Lead Routing Diagrams.....	17
16	Device Registers Settings.....	18
17	Scope Tool Features.....	19
18	Scope Analysis Tab (Noise Levels for Each Channel Shown).....	19
19	Zoom Tool Options.....	20
20	Histogram Bins for 12-Lead ECG Signal.....	21
21	Statistics for the Signal Amplitude of Eight ECG Channels.....	21
22	FFT Graph of Normal Electrode Configuration.....	22
23	AC Analysis Parameters: Windowing Options.....	22
24	FFT Analysis: Input Short Condition.....	23
25	Changing the User-Defined Dynamic Range for Channel 1.....	23
26	FFT Plot Using Zoom Tool.....	24
27	ECG Display Tab Showing LEAD I-III and Augmented Leads.....	25
28	ECG Signal Zoom Feature for Six Leads.....	26
29	ECG Signal Zoom Feature for Lead 1.....	26
30	Save Tab.....	28
31	Example of Internal Test Signals Viewed on the ECG Display Tab.....	29
32	Internal Temperature Sensor.....	30
33	Eight-Channel Read of Internal Temperature.....	30
34	Normal Electrode ECG Connection in ECG Display Tab.....	31
35	Digitization of PACE Signal Using ADS1298.....	34
36	ADS1298ECG-FE Front-End Block Diagram.....	35
37	Fluke Simulator Configuration.....	40
38	Top Component Placement.....	44
39	Top Layer.....	44
40	Bottom Component Placement.....	44
41	Bottom Layer.....	44
42	Internal Ground Plane (Layer 2).....	44

43	Internal Power Plane (Layer 3)	44
44	ECG Cable Schematic.....	46
45	15-Pin, Shielded Connector from Biometric Cables	47
46	15-Pin, Twisted Wire Cable to Banana Jacks	47
47	15-Pin, Twisted Wire Cable.....	47
48	Cardiosim ECG Simulator Tool.....	48
49	Recommended Power Supply for ADS1x98ECG-FE.....	49
50	Initialization of ADS1x98ECG-FE	50
51	License Agreement	50
52	Installation Process	50
53	Completion of ADS1x98ECG-FE Software Installation.....	50

List of Tables

1	ADS1x98ECG-FE Default Jumper/Switch Configuration	7
2	ADS1298 Lead Measurements.....	32
3	Derived Lead Calculations	32
4	RLD Jumper Options	33
5	ADS1x98ECG-FE Default Jumper/Switch Configuration	36
6	Power-Supply Test Points.....	37
7	Analog Supply Configurations (AVDD/AVSS)	38
8	Digital Supply Configurations (DVDD/DGND)	38
9	CLK Jumper Options.....	38
10	External Reference Jumper Options.....	39
11	Test Signals.....	39
12	Serial Interface Pinout	39
13	Bill of Materials: ADS1x98ECG-FE	42

Trademarks

Pentium III, Celeron are registered trademarks of Intel Corporation.
 Microsoft, Windows are registered trademarks of Microsoft Corporation.
 SPI is a trademark of Motorola Inc.
 All other trademarks are the property of their respective owners.

1 ADS1298ECG-FE/ADS1198ECG-FE Overview

1.1 Important Disclaimer Information

CAUTION

NOTICE: The ADS1298ECG-FE and ADS1198ECG-FE are intended for feasibility and evaluation testing only in laboratory and development environments. This product is not for diagnostic use. This product is not for use with a defibrillator.

The ADS1298ECG-FE/ADS1198ECG-FE is to be used only under these conditions:

- The ADS1298ECG-FE/ADS1198ECG-FE is intended only for **electrical** evaluation of the features of the ADS1298 device in a laboratory, simulation, or development environment.
- The ADS1298ECG-FE/ADS1198ECG-FE is **not** intended for direct interface with a patient, patient diagnostics, or with a defibrillator.
- The ADS1298ECG-FE/ADS1198ECG-FE is intended for development purposes **ONLY**. It is not intended to be used as all or part of an end equipment application.

- The ADS1298ECG-FE/ADS1198ECG-FE should be used only by qualified engineers and technicians who are familiar with the risks associated with handling electrical and mechanical components, systems, and subsystems.
- The user is responsible for the safety of themselves, fellow employees and contractors, and co-workers when using or handling the ADS1298ECG-FE/ADS1198ECG-FE. Furthermore, the user is fully responsible for the contact interface between the human body and electronics; consequently, the user is responsible for preventing electrical hazards such as shock, electrostatic discharge, and electrical overstress of electric circuit components.

1.2 Introduction

The ADS1x98ECG-FE is intended for evaluating the [ADS1298](#) and [ADS1198](#) for ECG and EEG applications. The digital SPI™ control interface is provided by the MMB0 Modular EVM motherboard that connects to the ADS1x98ECG FE evaluation board. The ADS1x98ECG-FE (see [Figure 1](#)) is **NOT** a reference design for ECG and EEG applications; rather, its purpose is to expedite evaluation and system development. The output of the ADS1298 yields a raw, unfiltered ECG signal.

The MMB0 motherboard allows the ADS1x98 to be connected to the computer via an available USB port. This manual shows how to use the MMB0 as part of the ADS1x98ECG-FE, but does not provide technical details about the MMB0 itself.

This document covers the operation of the ADS1x98ECG-FE evaluation system. Throughout the document, the abbreviation *EVM* and the term *evaluation module* are synonymous with the ADS1x98ECG-FE. For clarity of reading, this manual will refer only to the ADS1298ECG-FE or ADS1x98ECG-FE, but operation of the ADS1198ECG-FE is identical, unless otherwise noted.

CAUTION

Many of the components on the ADS1x98ECG-FE are susceptible to damage by electrostatic discharge (ESD). Customers are advised to observe proper ESD handling precautions when unpacking and handling the EVM, including the use of a grounded wrist strap, bootstraps, or mats at an approved ESD workstation. An electrostatic smock and safety glasses should also be worn.

1.3 Supported Features

Hardware Features:

- Configurable for bipolar or unipolar supply operation
- Configurable for internal and external clock and reference via jumper settings
- Configurable for AC- or DC-coupled inputs
- Configurable for up to 12 standard ECG leads
- External Right Leg Drive (RLD) Reference ($V_{CC} - V_{EE}$)/2
- External Wilson central voltage
- Easy connectivity to popular ECG simulators

Software Features:

- Designed to display 12 lead ECG data
- Analysis tools including a virtual oscilloscope, histogram, FFT, and ECG display
- File printing for post-processing of raw ECG data
- Sets the ADS1298/ADS1198 register settings via easy-to-use graphic user interface (GUI) software
- Post-processing of ECG data using high-pass, low-pass, and 50/60Hz notch filters

1.4 Features Not Supported in Current Version

- Real-time data processing
- AC lead-off detection filters

- QRS detection algorithms
- Software PACE detection algorithms

1.5 ADS1x98ECG-FE Hardware

Figure 1 shows the hardware included in the ADS1x98ECG-FE kit. Contact the factory if any component is missing. The latest software is available for download on the TI website at <http://www.ti.com>.

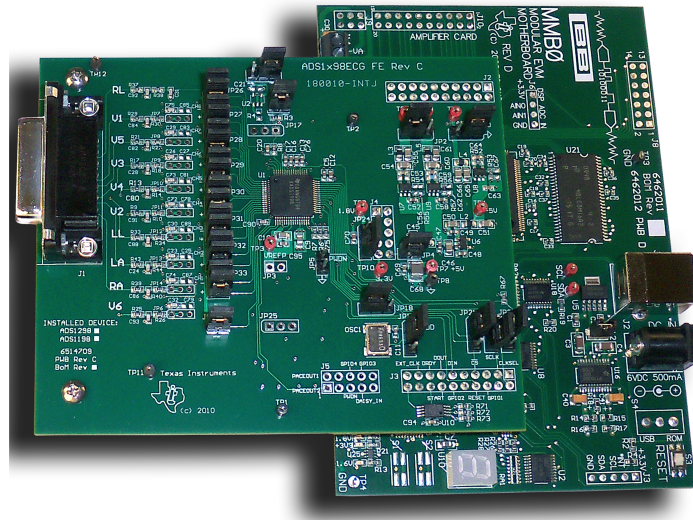


Figure 1. ADS1x98ECG-FE Kit

The complete kit includes the following items:

- ADS1x98ECG-FE printed circuit board (PCB)
- MMB0 (Modular EVM motherboard)

1.6 Minimum System Requirements for ADS1x98ECG-FE Evaluation Software

The minimum system requirements for using the ADS1x98ECG-FE software application are:

- Pentium III®/Celeron® processor, 866MHz or equivalent
- Minimum 256MB of RAM (512MB or greater recommended)
- USB 1.1-compatible input
- Hard disk drive with at least 200MB free space
- Microsoft® Windows® XP operating system with SP2 or Windows 7 operating systems (Windows Vista not tested)
- Mouse or other pointing device
- 1280 x 960 minimum display resolution

2 Quick Start

This section provides a QuickStart guide to quickly begin evaluating the EVM using the ADS1x98ECG-FE software.

2.1 Default Jumper/Switch Configuration

Figure 2 shows the jumpers found on the ADS1x98ECG-FE EVM and the respective factory default conditions for each.

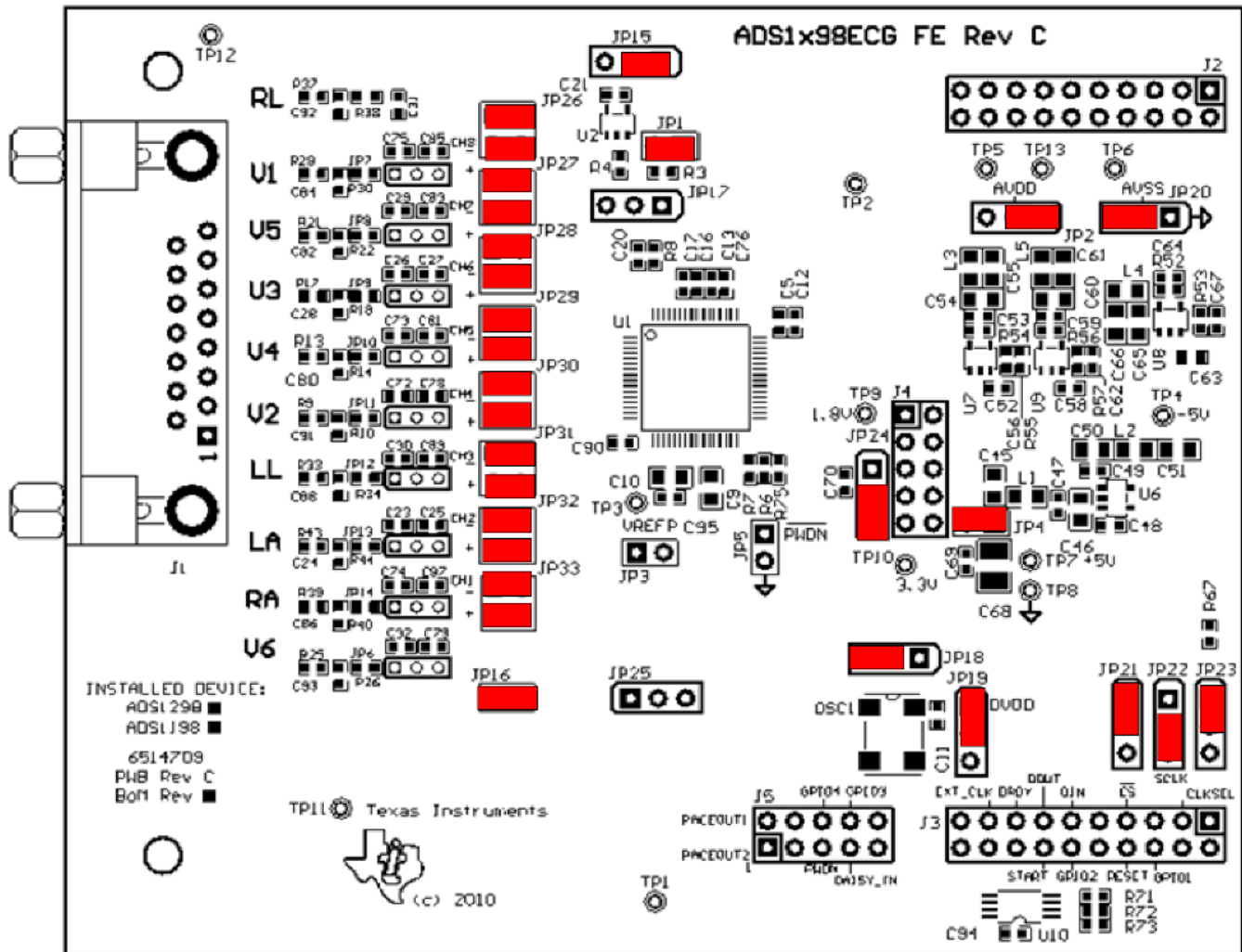


Figure 2. ADS1x98ECG-FE Default Jumper Locations

Table 1 lists the jumpers and switches and the factory default conditions.

Table 1. ADS1x98ECG-FE Default Jumper/Switch Configuration

Jumper	Default Position	Description
JP1	Installed	RLD feedback
JP2	Installed 1-2	AVDD selected for bipolar supply operation selected (AVDD = +2.5V)
JP3	Header Not Installed	External Vref buffer not connected
JP4	Installed	EVM +5V provided from J4 (power header)
JP5	Open	$\overline{\text{PWN}}$ pin controlled from J5 header (pulled up to DVDD)
JP6 to JP14	Header Not Installed (Pins 1-2 shorted on PCB)	DC-coupled input signals
JP15	Installed 2-3	Shield drive is open
JP16	Installed	Wilson Central Terminal (WCT) connected to INM for CH1 and CH4-8
JP17	Header Not Installed	ECG shield drive
JP18	Installed 2-3	CLK connected to OSC1
JP19	Installed 1-2	OSC1 enabled
JP20	Installed 2-3	AVSS selected for bipolar supply operation (AVSS = -2.5V)
JP21	Installed 1-2	$\overline{\text{CS}}$ connected to DSP via J3.1
JP22	Installed 2-3	START comes from J3.14
JP23	Installed 1-2	CLKSEL set to 0 (ADS1198 uses Ext Master Clock (OSC1))
JP24	Installed 2-3	DVDD supply = 3.3V
JP25	Header Not Installed	No external reference selected
JP26	Installed 1-2 (top)	WCT connected to CH8- input
	Installed 3-4 (bottom)	ECG_V1 connected to CH8+ input
JP27	Installed 1-2 (top)	WCT connected to CH7- input
	Installed 3-4 (bottom)	ECG_V5 connected to CH7+ input
JP28	Installed 1-2 (top)	WCT connected to CH6- input
	Installed 3-4 (bottom)	ECG_V3 connected to CH5+ input
JP29	Installed 1-2 (top)	WCT connected to CH5- input
	Installed 3-4 (bottom)	ECG_V4 connected to CH6+ input
JP30	Installed 1-2 (top)	WCT connected to CH4- input
	Installed 3-4 (bottom)	ECG_V2 connected to CH4+ input
JP31	Installed 1-2 (top)	ECG_RA connected to CH3- input
	Installed 3-4 (bottom)	ECG_LL connected to CH3+ input
JP32	Installed 1-2 (top)	ECG_RA connected to CH2- input
	Installed 3-4 (bottom)	ECG_LA connected to CH2+ input
JP33	Installed 1-2 (top)	WCT connected to CH1- input
	Installed 3-4 (bottom)	ECG_V6 connected to CH1+ input

2.2 ADS1x98ECG-FE Operation

To prepare to evaluate the ADS1298 with the ADS1298ECG-FE, complete the following steps:

1. Verify the jumpers on the ADS1298ECG-FE are as shown in [Figure 2](#) (note that these settings are the factory-configured settings for the board).
2. Verify that the jumpers on the MMB0 motherboard are configured as shown below:
 - MMB0 J13A → Open
 - MMB0 J13B → Open
 - Refer to [Section B.2](#) for details about the MMB0 power supply.
3. Install the ADS1298ECG-FE software using the latest software version. The latest software can be downloaded from the [ADS1298ECG-FE product page](#) or [ADS1198ECG-FE product page](#). Double click the installer and follow the instruction to complete the software installation. For detailed installation information and screenshots, see [Appendix C](#).

3 Using the ADS1298ECG-FE Software

The ADS1298ECG-FE software provides complete control over all the settings of the ADS1298. By using the user interface (UI), the ADS1298 control registers can be manipulated to evaluate the various options available on the device. [Figure 3](#) shows the starting UI screen of the software. The UI consists of a user menu ([Section 3.1](#)), a few top-level controls ([Section 3.2](#)), and a tabbed interface, with different functions available on the different tabs. The tabs are:

- About ([Section 3.3](#))
- ADC Register ([Section 3.4.3](#))
- Analysis ([Section 3.5](#))
- Save ([Section 3.6](#))

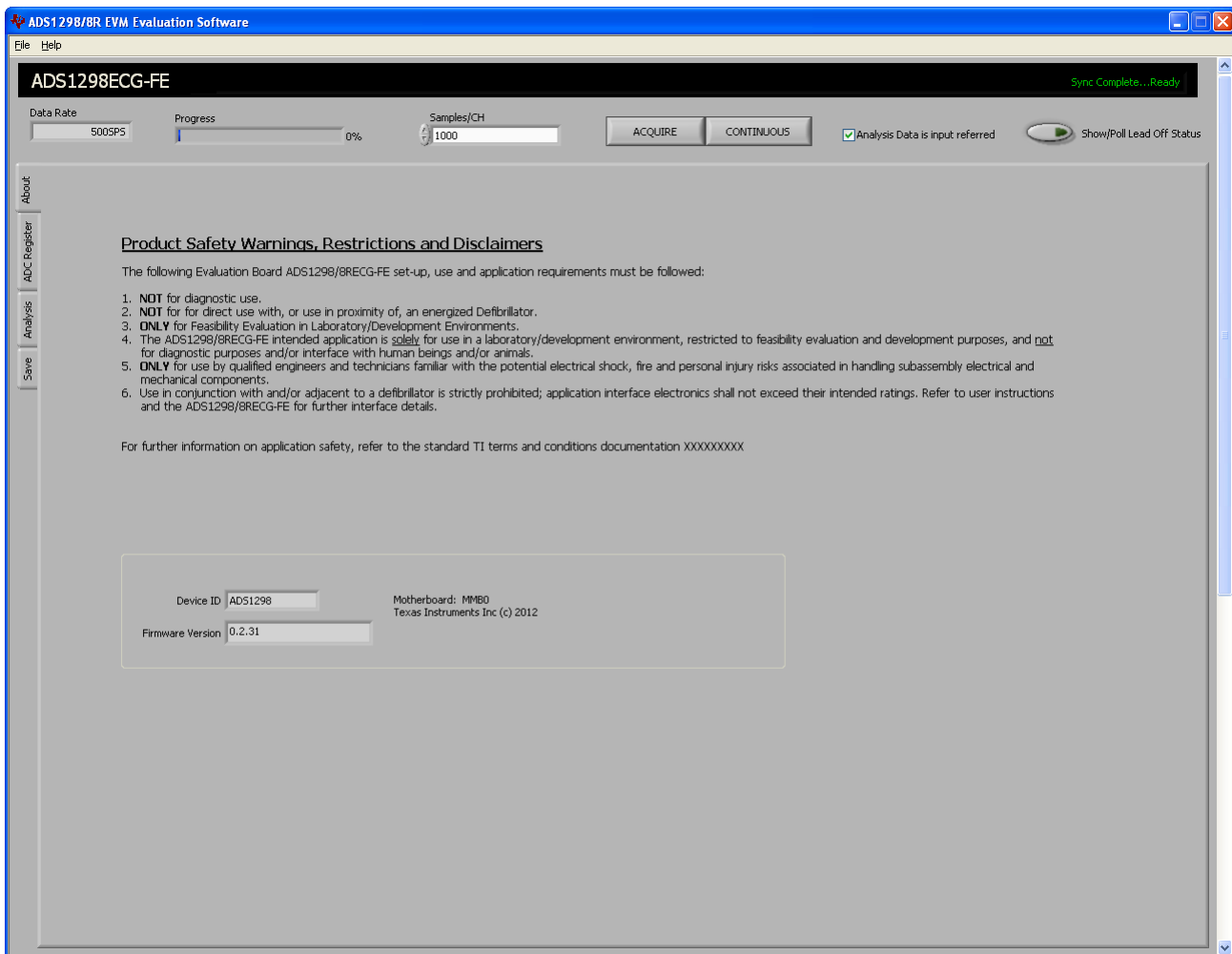


Figure 3. Software Start Screen/About Tab

The user can adjust the settings when the software is not acquiring data. During acquisition, all controls are disabled and settings may not be changed. When a setting is changed via a control, the settings are immediately updated on the device and EVM. Settings in the software correspond to settings described in the [ADS1298 product data sheet](#).

3.1 Application User Menu

The application user menu is located along the top of the application menu. It consists of two items: *File* and *Help*.

File Menu (see Figure 4)

The *File* menu provides several options:

- **Capture Screen** takes a screen capture of the current view of the application and saves it as to a file specified by the user.
- **Save Configuration Settings** saves the current states of the ADS1298 control registers for reloading at a later time. This file is different from the save register on the **Save** tab (see Section 3.6), which saves the current register map to a tab-delimited text file.
- **Load Configuration Settings** loads a previously save configuration setting file and initializes the hardware and software to the settings within the configuration file. The configuration file must be a file saved previously from this application using the Save Configuration Settings command, not a file from the **Save** tab.
- **Exit** closes the application.

Help Menu (see Figure 5)

The *Help* menu provides the *About* option, which display the software and firmware version that is currently being used. Please have this information if you need to request assistance or have a question regarding the software or hardware.

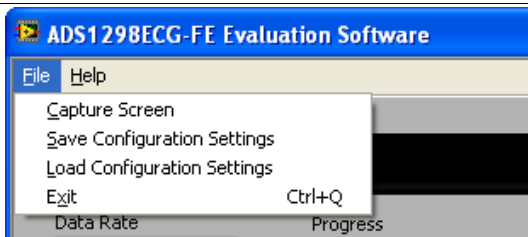


Figure 4. User Menu - File Item

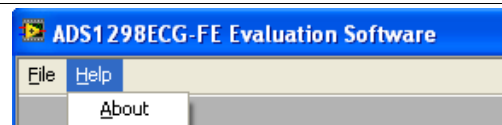


Figure 5. User Menu - Help Item

3.2 Top-Level Application Controls

Several controls/indicators are located along the top of the UI screen (see Figure 6). The controls and indicators are described below.

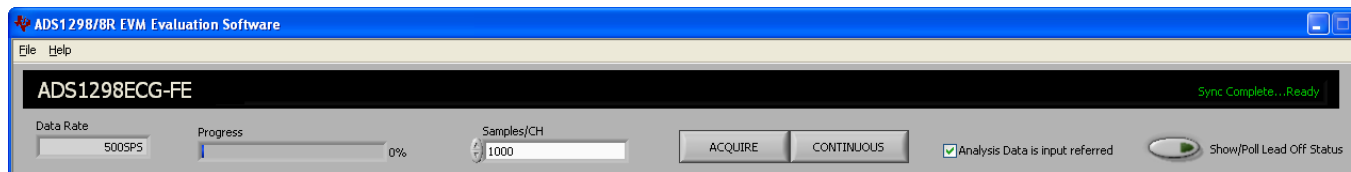


Figure 6. Top Level Controls

The **Data Rate** indicator displays the current data rate of the ADS1298. The data rate can be configured in CONFIG1 control register (see Section 3.4.2.1).

The **Progress** indicator will display the current progress of data transfer to the PC during acquisition cycles.

The **Samples/CH** control allows for the selection of the number of points, per channel, to collect during an acquisition cycle. Keep in mind the value entered into this control in relation to the current data rate. Large numbers of samples, coupled with slower data rates, can take time to acquire.

The **ACQUIRE** control starts the acquisition process. When pressed, the software will collect the requested number of samples from the ADS1298. All points collected during an acquisition process will be contiguous points.

The **CONTINUOUS** control starts a repeated acquisition process. This function acquires the requested samples and repeats the data acquisition until the button is turned off. Within a single acquisition cycle, the points will be contiguous, but from acquisition to acquisition, there may be points missing.

The **Analysis Data input referred** checkbox changes the displayed data that is read from the ADC. Checking the box displays the data input referred, while not checking displays the data as converted.

The **Show/Poll Lead Off Status** displays a window (see Figure 7) that shows the status of the Lead-Off status registers, *LOFF STATP* and *LOFF STATN*, of the ADS1298. When the lead for the channel is disconnected, the corresponding channel LED changes from green to red.

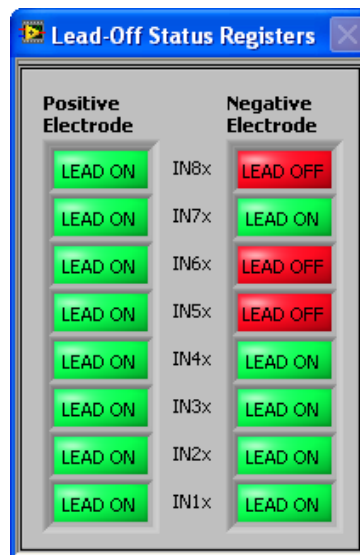


Figure 7. Lead-Off Status Registers Display Window

3.3 About Tab

The *About* tab provides software information to the user. Important safety warning, restrictions, and disclaimers for the software and hardware are shown and should be followed during the evaluation of this product. Additional indicators are present to provide device information (**Device ID** and **Rev**) and software information (**Firmware Version**). The *About* tab should be the first screen displayed at startup (see Figure 3).

3.4 ADC Register Tab

The **ADC Register** tab provides controls to manipulate ADC control registers of the ADS1298. Details of the control registers are provided in the [product datasheet](#). The **ADC Register** tab consists of a few controls and several sub-tabs that further divide the control registers into different functions groups. The sub-tabs are:

- Channel Registers tab ([Section 3.4.2](#))
- LOFF and RLD tab ([Section 3.3](#))
- GPIO and Other Registers tab ([Section 3.4.4](#))
- Register Map tab ([Section 3.4.5](#))

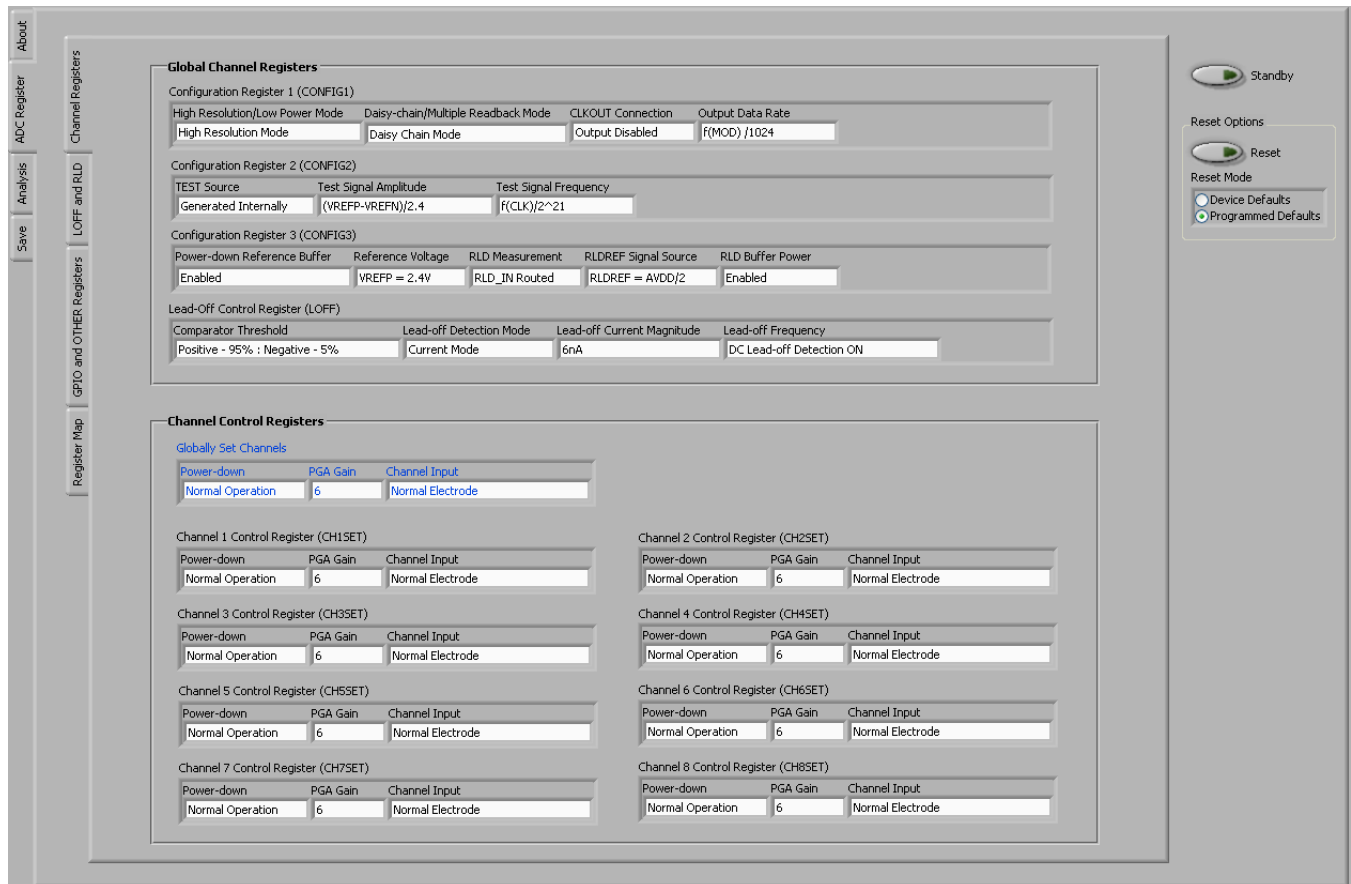


Figure 8. Channel Registers Tab

3.4.1 Standby and Reset Controls

The **Standby** control allows the user to place the ADS1298 in standby.

The **Reset** control allows the user to reset the ADS1298. The **Reset Mode** determines which mode is executed when the **Reset** control is pressed. *Device Defaults* resets the device to the device defaults; *Programmed Defaults* resets the device, then writes the default values for using this software application.

3.4.2 Channel Registers Tab (ADC Register)

The **Channel Register** tab provides access to control registers that control different properties/settings for the ADC channels. The control register are grouped into two groups: Global Channel Registers and Channel Control Registers.

3.4.2.1 Global Channel Registers

The *Global Channel Registers* box includes Configuration Register 1 (CONFIG1), Configuration Register 2 (CONFIG2), Configuration Register 3 (CONFIG3), and Lead Off Control Register (LOFF). The upper half of [Figure 8](#) shows the section of the UI panel that allows manipulation and control of these registers.

Configuration Register 1 enables the user to control the resolution mode, enable the daisy-chain configuration options, and program the data rate.

NOTE: Since the **HR** bit is not available in the ADS1198, the Configuration Register 1 control will not show this control when testing the ADS1198.

Configuration Register 2 enables the user to select an internal square wave test source amplitude of $\pm 1\text{mV}$ or $\pm 2\text{mV}$ and a frequency of DC, 2Hz ($f_{\text{CLK}}/2^{21}$), or 4Hz ($f_{\text{CLK}}/2^{20}$).

Configuration Register 3 controls the bandgap reference (illustrated in [Figure 9](#)) and right leg drive (RLD) options. This register enables the user to select between an external or internal reference voltage, enable/disable the internal reference buffer, toggle between a 2.4V or a 4.0V output voltage, and to enable/disable the RLD as well as choose whether the RLD voltage is provided internally or externally.

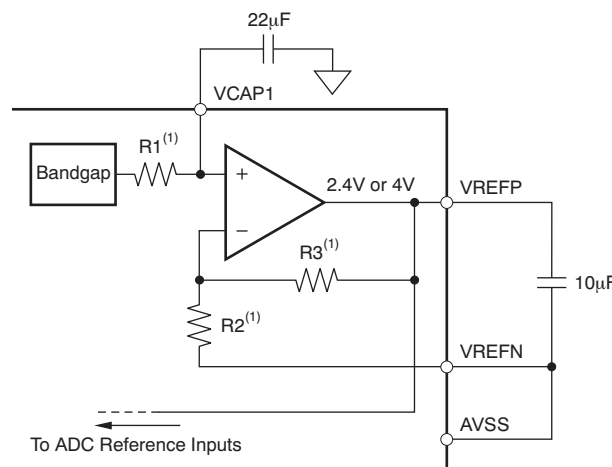


Figure 9. Internal Reference and Buffer Connections

The **Lead-Off Control Register** allows the user to configure the threshold for the lead-off comparator, resistive pull-up or current-source excitation, the lead-off current magnitude, and DC or AC detection. [Figure 10](#) illustrates a simplified diagram of the resistive pull-up and excitation options for the lead-off detect feature.

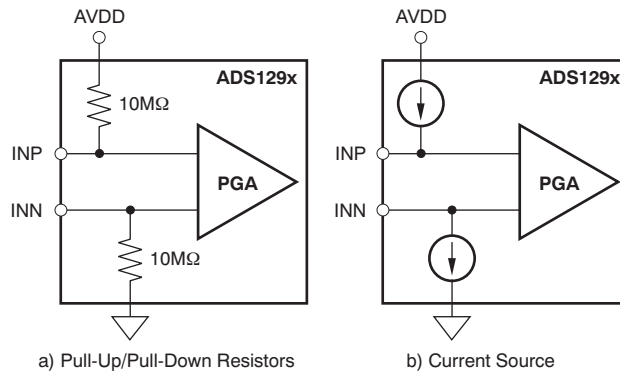


Figure 10. Lead-Off Excitation Options

3.4.2.2 Channel Control Registers

The *Channel Control Registers* box allows the user to uniquely configure the front-end MUX for each ADC channel. Additionally, at the top of the Channel Control Registers box (see Figure 8) is the option to globally set all channels to the same setting. The channel-specific MUX is illustrated in Figure 11.

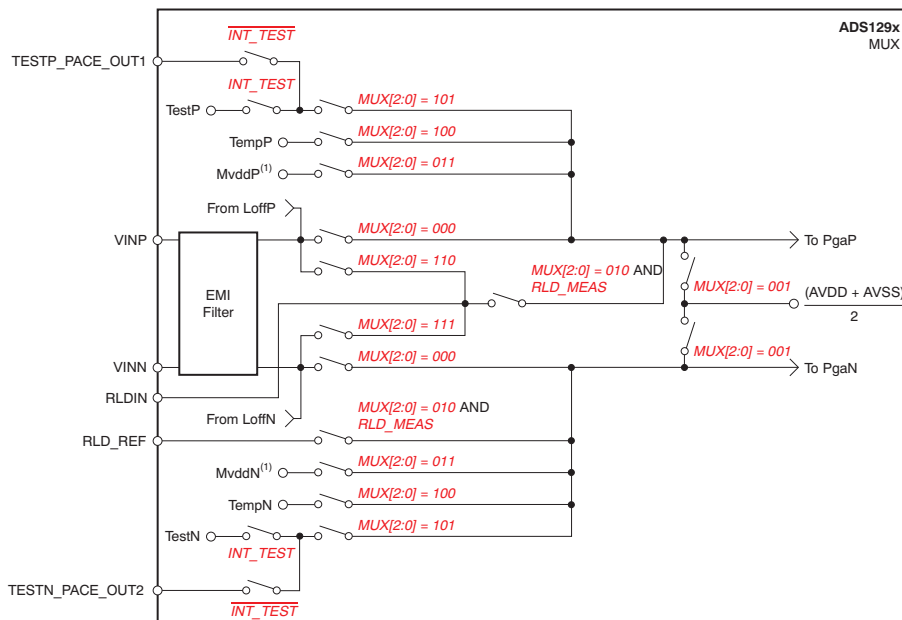


Figure 11. Input Multiplexer for a Single Channel

3.4.3 LOFF and RLD Tab (ADC Register)

The *LOFF and RLD* tab provides control over the Lead-Off Detection and Current Control Registers and the Right Leg Derivation Control Registers. The tab and controls are shown in [Figure 12](#).



Figure 12. LOFF and RLD Tab

3.4.3.1 Lead-Off Detection and Current Direction Control Registers

The first two arrays of controls (Lead Off Sense) enable lead-off detection for both the positive and negative channels, *LOFF_SENSP* and *LOFF_SENSN*. By pressing the buttons, lead-off detection is enabled for each channel individually and for each input (positive and negative). **Set All LOFFP Bits** and **Set All LOFFN Bits** allow the user to turn on or off all the enable bits at once instead of clicking each individual channel control.

The third array of controls (Lead Off Current Direction) determines the current direction used for lead-off detection when an excitation signal is selected as a pull-up/pull-down resistor. Each channel is controlled individually by selecting the button that corresponds to the desired channel to manipulate. When the button is not illuminated, *LOFF_FLIP* = 0 (INP is pulled-up to AVDD and INN is pulled-down to ground). When the button is pressed/illuminated, *LOFF_FLIP* = 1 (INP is pulled-down to ground and INN is pulled-up to AVDD). Further details of these registers and lead-off function are located in the Applications Section of the device data sheet.

Figure 10 describes the mode for Lead-Off Detection (that is, resistive or current source) and the 4-bit DAC settings to configure the lead-off threshold. Figure 13 illustrates the connections from the positive and negative inputs to the lead-off comparators. The output of the comparators is viewed by using **Show/Poll Lead Off Status** control as described in Section 3.2

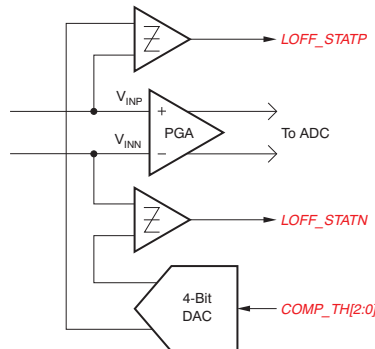


Figure 13. LOFF_STATP and LOFF_STATN Comparators

3.4.3.2 Right Leg Drive Derivation Control Registers

The Right Leg Drive Derivation Control Registers enable the user to set any combination of positive and/or negative electrodes to derive the RLD voltage that is fed to the internal right leg drive amplifier.

3.4.4 GPIO and OTHER Registers Tab (ADC Register)

The **GPIO and Other Registers** tab, located under the **Analysis** tab, includes controls for GPIO1 through GPIO4, respiration phase and frequency, routing of the Wilson amplifiers, and derivation of the Goldberger terminals. [Figure 14](#) shows the **GPIO and OTHER Registers** tab and all controls contained on the tab.



Figure 14. GPIO and OTHER Register Tab

The **General-Purpose I/O Register (GPIO)** controls the four general-purpose I/O pins. Each GPIO can be set as an input or an output via **GPIOCx** controls. If the output is selected, the **GPIODx** control is enabled allowing the user to set the value to output. If the GPIO is selected as an input, the **GPIODx** control is disabled and shows the value of the GPIO. If any of the GPIOs are selected as inputs, the **Read GPIO** control is enabled which allows the **GPIODx** values to be updated to the current GPIO value.

The **PACE Detect Register** does not enable a special PACE measurement mode. The register allows for enabling and configuration of the PACE amplifiers. PACE Amplifier 1 can connect to input channels 1-4 and Pace Amplifier 2 can connect to input channels 5-8.

The **Configuration 4 Register** allows control over the Respiration Frequency, WCT connection to the RLD and lead-off comparator enable status.

NOTE: The Respiration Frequency control is disabled since the functionality is not available on the ADS1298 and ADS1198.

The **Respiration Control Register** is disabled for the ADS1298 and not available for the ADS1198.

3.4.4.1 Wilson Central and Augmented Lead Registers

The Wilson Central Voltage (an average voltage between the right arm [RA], left arm [LA], and left leg [LL] connections) can be derived from any combination of positive and negative terminals from channels 1-4 and routed to the WCT pin. Likewise, the Augmented Leads (AVF, AVL, AVR) may be derived from channels 1-4 and routed to the negative terminal of channels 5, 6, and 7. Figure 15 shows these configurations; Figure 15a illustrates the central lead routing, and Figure 15b shows the augmented lead routing.

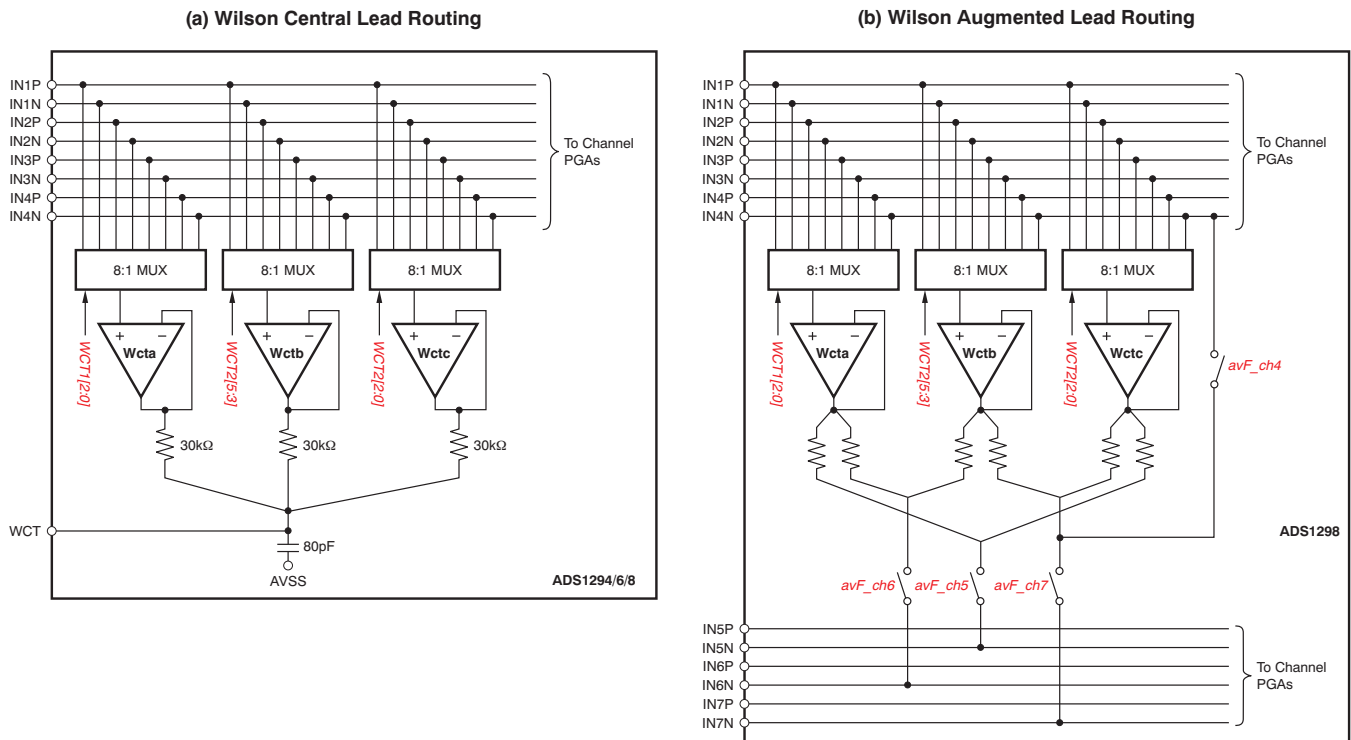


Figure 15. Wilson Central and Augmented Lead Routing Diagrams

3.4.5 Register Map (ADC Register)

The *Register Map* tab is a helpful debug feature that allows the user to view the state of all the internal registers. This tab is illustrated in [Figure 16](#). **Refresh Registers** control updates the register map values with the current register settings of the ADS1298.

NOTE: [Figure 16](#) shows registers for ADS1298. The RESP register is not present for the ADS1198.

Device Registers										
Register	Address	Value	D7	D6	D5	D4	D3	D2	D1	D0
ID	0x00	0x52	0	1	0	1	0	0	1	0
CONFIG1	0x01	0x86	1	0	0	0	0	1	1	0
CONFIG2	0x02	0x10	0	0	0	1	0	0	0	0
CONFIG3	0x03	0xDC	1	1	0	1	1	1	0	0
LOFF	0x04	0x03	0	0	0	0	0	0	1	1
CH1SET	0x05	0x01	0	0	0	0	0	0	0	1
CH2SET	0x06	0x01	0	0	0	0	0	0	0	1
CH3SET	0x07	0x01	0	0	0	0	0	0	0	1
CH4SET	0x08	0x01	0	0	0	0	0	0	0	1
CH5SET	0x09	0x01	0	0	0	0	0	0	0	1
CH6SET	0x0A	0x01	0	0	0	0	0	0	0	1
CH7SET	0x0B	0x01	0	0	0	0	0	0	0	1
CH8SET	0x0C	0x01	0	0	0	0	0	0	0	1
RLD_SENSP	0x0D	0x00	0	0	0	0	0	0	0	0
RLD_SENSN	0x0E	0x00	0	0	0	0	0	0	0	0
LOFF_SENSP	0x0F	0xFF	1	1	1	1	1	1	1	1
LOFF_SENSN	0x10	0x02	0	0	0	0	0	0	1	0
LOFF_FLIP	0x11	0x00	0	0	0	0	0	0	0	0
LOFF_STATP	0x12	0xFF	1	1	1	1	1	1	1	1
LOFF_STATN	0x13	0x06	0	0	0	0	0	1	1	0
GPIO	0x14	0x00	0	0	0	0	0	0	0	0
PACE	0x15	0x00	0	0	0	0	0	0	0	0
RESP	0x16	0x00	0	0	0	0	0	0	0	0
CONFIG4	0x17	0x02	0	0	0	0	0	0	1	0
WCT1	0x18	0x0A	0	0	0	0	1	0	1	0
WCT2	0x19	0xE3	1	1	1	0	0	0	1	1

(automatically updates if coming from another page)

Figure 16. Device Registers Settings

3.5 Analysis Tab

The **Analysis** tab provides access to the different analysis options that are available using the software. The different analyses are grouped by sub-tabs:

- Scope tab (Section 3.5.1)
- Histogram tab (Section 3.5.2)
- FFT tab (Section 3.5.3)
- ECG tab (Section 3.5.4)

3.5.1 Scope Tab (Analysis)

The Scope tool is useful for examining the exact amplitude of the measured input signals from each channel. Additionally, users can determine the noise contribution from each channel at a given resolution, and review the sampling rate, the PGA gain, and the input signal amplitude. Figure 17 illustrates the Scope tool features.

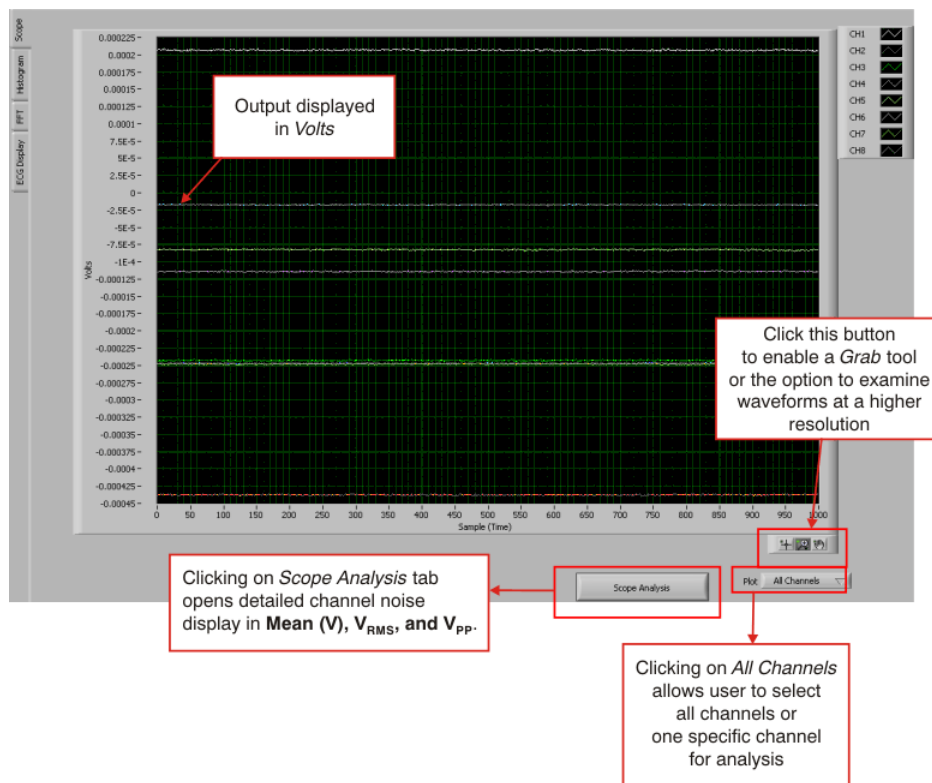


Figure 17. Scope Tool Features

In the *Scope Analysis* window, as Figure 18 illustrates, the different noise levels are displayed when the MUX is selected as *Input Short*, PGA gain is set to 6 (default), and the sample rate is set to 500 samples per second (SPS).

	Channel 1	Channel 2	Channel 3	Channel 4	Channel 5	Channel 6	Channel 7	Channel 8
Mean (V)	-92.05E-6	139.17E-6	-341.48E-6	44.15E-6	13.13E-6	-92.33E-6	-90.01E-6	-3.58E-6
Vrms	92.05E-6	139.17E-6	341.48E-6	44.15E-6	13.14E-6	92.34E-6	90.01E-6	3.63E-6
Vpp	3.81E-6	3.43E-6	3.48E-6	3.72E-6	3.91E-6	3.39E-6	4.10E-6	3.34E-6

Figure 18. Scope Analysis Tab (Noise Levels for Each Channel Shown)

3.5.1.1 Zoom Tool

The zoom tool allows the user to zoom in either on all channels simultaneously or on a single channel. [Figure 19](#) shows an example of the waveform examination tool with the magnifying glass zoomed in on Channel 2. In this case, the tool makes it much easier to determine that the noise seen on the ECG waveform is a result of 50Hz/60Hz line cycle noise.

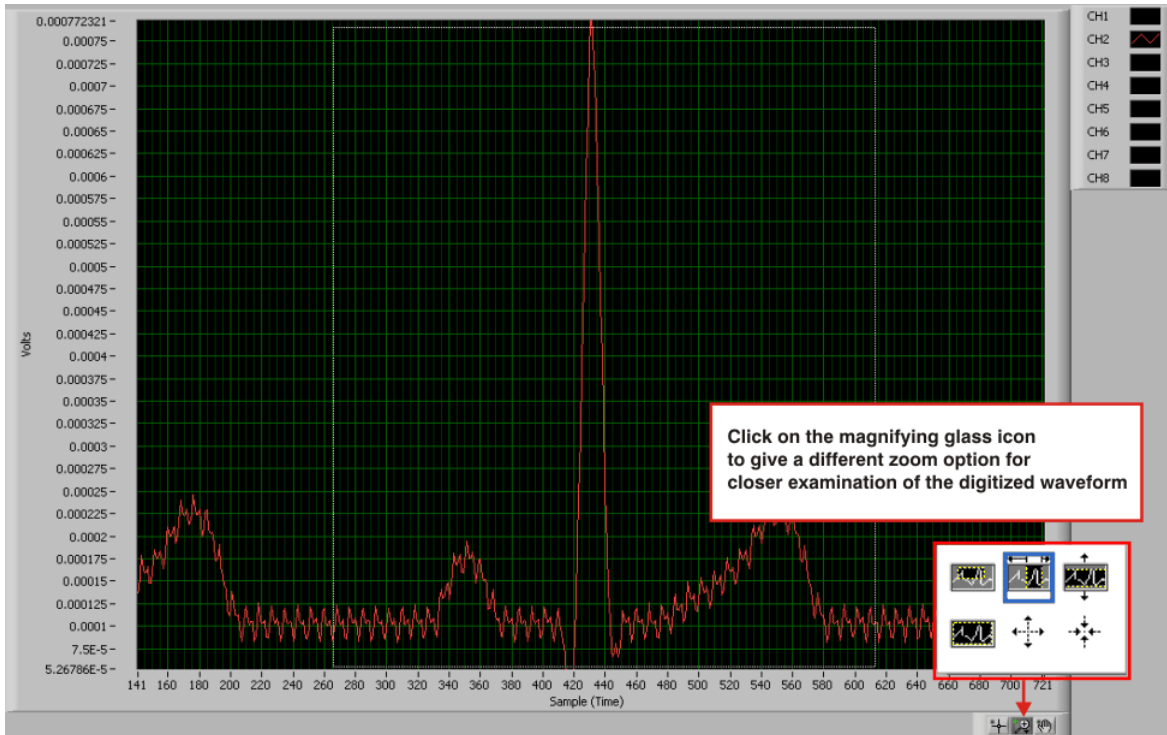


Figure 19. Zoom Tool Options

3.5.2 Histogram Tab (Analysis)

The Histogram tool is used primarily to see the bin separation of the different amplitudes of the ECG waveform harmonics. Figure 20 illustrates the histogram output for a 12-lead signal. The same ECG Signal Zoom analysis may be used on the histogram plots for a more detailed examination of the amplitude bins.

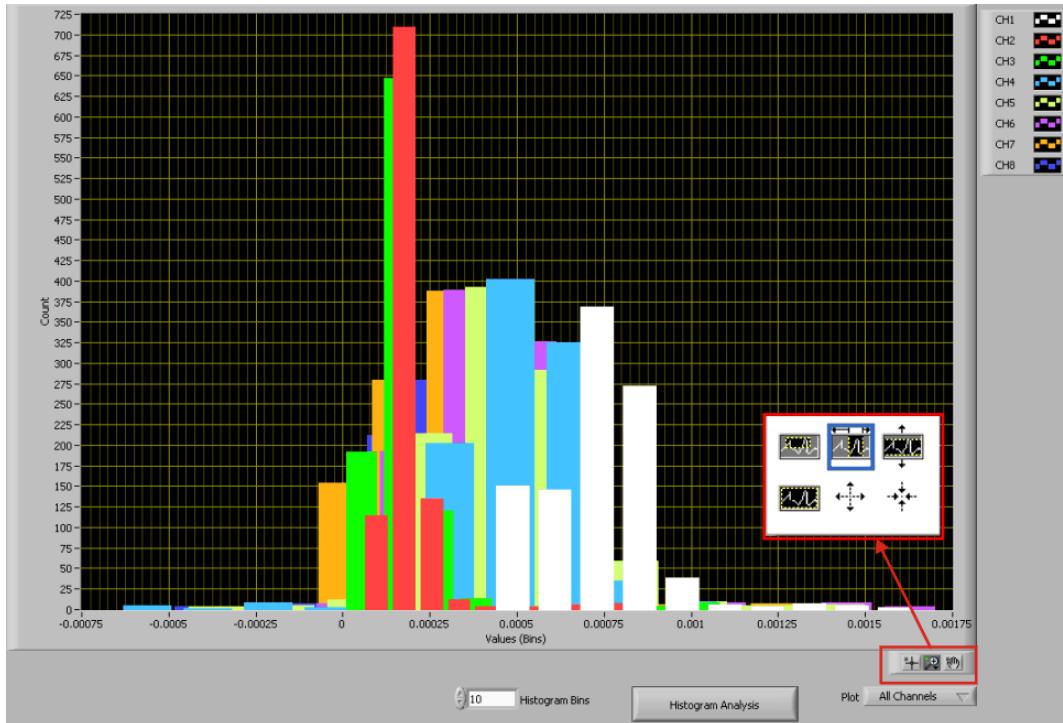


Figure 20. Histogram Bins for 12-Lead ECG Signal

Figure 21 shows the *Histogram Analysis* window that is displayed when the **Histogram Analysis** button (at the bottom of the screen in Figure 20) is clicked. The analysis window shows the mean, V_{RMS} , and V_{PP} channel amplitude bins.

	Channel 1	Channel 2	Channel 3	Channel 4	Channel 5	Channel 6	Channel 7	Channel 8
Mean (V)	-92.05E-6	139.17E-6	-341.48E-6	44.15E-6	13.13E-6	-92.33E-6	-90.01E-6	-3.58E-6
Vrms (stddev)	594.31E-9	562.54E-9	576.88E-9	559.99E-9	551.55E-9	569.16E-9	568.22E-9	554.06E-9
Vpp	3.81E-6	3.43E-6	3.48E-6	3.72E-6	3.91E-6	3.39E-6	4.10E-6	3.34E-6

Figure 21. Statistics for the Signal Amplitude of Eight ECG Channels

3.5.3 FFT Tab

The FFT tool allows the user to examine the channel-specific spectrum as well as typical figures of merit such as SNR, THD, ENOB, and CMRR. Each feature is numbered below and described in detail in the following subsections. [Figure 22](#) illustrates an FFT plot for a normal electrode configuration.

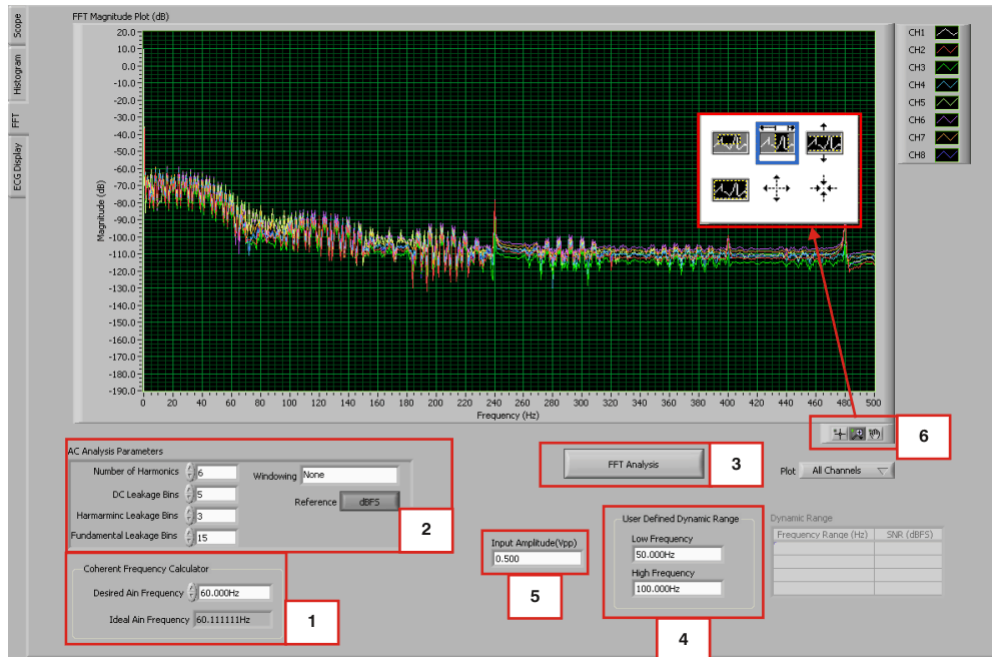


Figure 22. FFT Graph of Normal Electrode Configuration

1 - Coherent Frequency Calculator

Coherent sampling in an FFT is defined as $F_{AIN}/F_{SAMPLE} = N_{WINDOW}/N_{TOTAL}$, where:

- F_{AIN} is the input frequency
- F_{SAMPLE} is the sampling frequency of the ADS1298
- N_{WINDOW} is the number of odd integer cycles during a given sampling period
- N_{TOTAL} is the number of data points (in powers of 2) that is used to create the FFT

If the conditions for coherent sampling can be met, the FFT results for a periodic signal will be optimized. The *Ideal A_{IN} Frequency* is a value that is calculated based on the sampling rate, such that the coherent sampling criteria can be met.

2 - AC Analysis Parameters

This section of the tool allows the user to dictate the number of harmonics, DC leakage bins, harmonic leakage bins, and fundamental leakage bins that are used in the creation of various histograms. Pressing the *Windowing* button, illustrated in [Figure 23](#), allows the user to evaluate the FFT graph under a variety of different windows. Note that pressing the **Reference** button toggles between dBFS (decibels, full-scale) and dBc (decibels to carrier).

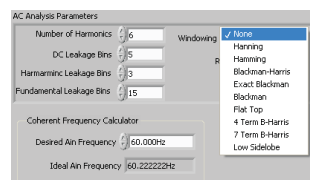


Figure 23. AC Analysis Parameters: Windowing Options

3 - FFT Analysis

Pressing the **FFT Analysis** button pulls up the *FFT Analysis* window shown in [Figure 24](#). This window provides calculated parameters obtained from the collected data that may be useful during evaluation. One of the values included in this analysis is the channel-to-channel noise.

	Channel 1	Channel 2	Channel 3	Channel 4	Channel 5	Channel 6	Channel 7	Channel 8
SNR (dBFS)	-12.34	-15.84	-13.95	-10.83	-10.77	-10.56	-12.10	-13.52
SNRD(dB)	-12.64	-16.22	-14.39	-11.30	-11.07	-10.86	-12.44	-13.88
THD (dBc)	0.45	-3.71	-2.30	0.74	2.96	3.37	0.76	-1.50
SFDR (dBc)	5.72	2.26	4.51	6.75	8.43	8.69	6.02	3.25
ENOB	-2.39	-2.99	-2.68	-2.17	-2.13	-2.10	-2.36	-2.60
enob	-2.34	-2.92	-2.61	-2.09	-2.08	-2.05	-2.30	-2.54
# of Harmonics (SNR)	0.00	0.00	0.00	0.00	0.00	0.00	0.00	0.00
Worst Spur (dB)	17.11	14.01	10.90	0.97	10.15	0.17	16.76	6.92
2nd HD (dBc)	7.62	2.26	5.01	10.77	13.41	9.53	8.51	3.25
3rd HD (dBc)	5.72	3.88	4.51	6.75	9.03	18.37	9.14	6.22
4th HD (dBc)	8.68	3.37	6.87	7.63	10.15	10.50	6.02	10.24
5th HD (dBc)	8.01	4.70	6.96	8.58	10.74	12.12	8.60	9.03
Fundamental (dB)	-100.74	-101.21	-101.21	-101.39	-101.21	-100.47	-100.97	-101.76
PGA Setting	12	12	12	12	12	12	12	12
CMRR	165.70	161.35	161.37	150.92	159.06	149.57	164.26	155.70

Figure 24. FFT Analysis: Input Short Condition

4 - User-Defined Dynamic Range

This section enables the user to examine the SNR of a specific channel within a given frequency band defined by *Low Frequency* and *High Frequency*. The SNR displayed in this window shows under the *Dynamic Range* heading as [Figure 25](#) illustrates.

FFT Analysis Plot Channel 1

User Defined Dynamic Range

Input Amplitude(Vpp) 0.500

Low Frequency 50.000Hz

High Frequency 65.000Hz

Frequency Range (Hz)	SNR (dBFS)
0.00 - 250.00	-15.26
50.00 - 65.00	-1.24
Fundamental (dB)	-135.15

Figure 25. Changing the User-Defined Dynamic Range for Channel 1

5 - Input Amplitude

This field is a user input that is important for accurately calculating the CMRR of each channel.

6 - Zoom Tool

As with the Analysis, Histogram, and Scope tool, this zoom function allows a closer examination of the FFT at frequencies of interest, as shown in [Figure 26](#).

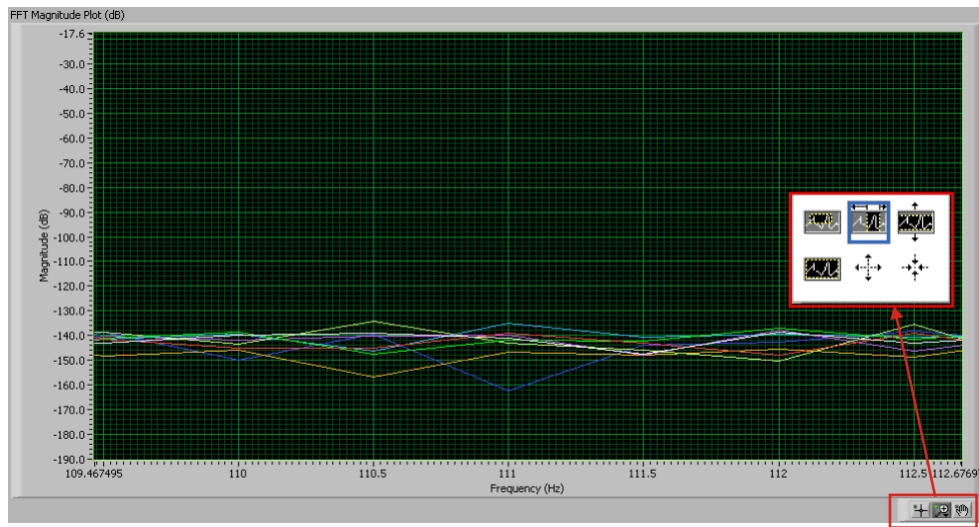


Figure 26. FFT Plot Using Zoom Tool

3.5.4 ECG Tab (Analysis)

This tool allows the user to examine the input signal according to the different lead configurations. For a detailed description of the lead configurations, see [Table 2](#) in [Section 4.6](#). [Figure 27](#) shows Leads I-III and the Augmented Lead outputs with the input MUX configured in *Normal Electrode* mode. [Figure 27](#) also shows numerical annotations 1 to 4, which highlight the different features of this tool. These features are described in detail in the following subsections.

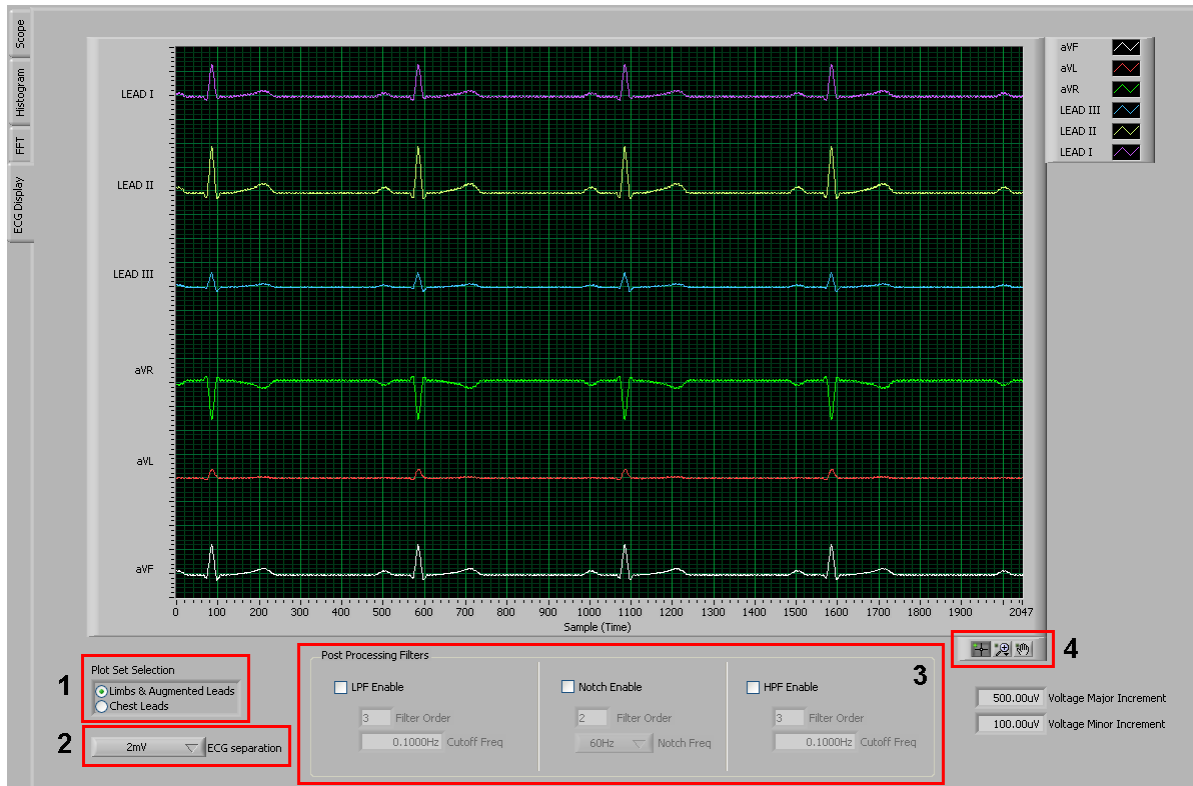


Figure 27. ECG Display Tab Showing LEAD I-III and Augmented Leads

1 - Plot Set Selection Feature

The **Plot Set Selection** control allows the user to change the visual selection between:

- *Limbs and Augmented Leads* displays LEAD I, LEAD II, LEAD III, aVR, aVL, and AVF signals,
- *Chest Leads* displays V1 - V6 signals.

NOTE: For display that shows 6 leads combined, the ECG signals have any DC offset removed and a different offset added to the signal to display the signals as shown. To see the raw ECG data, you can select the individual signals as described below in the Zoom feature (box 4).

2 - ECG Separation Feature

The **ECG separation** control toggles the vertical distance between the input plots. This capability is useful when ECG signals are large and require more separation to avoid overlap, or to collapse the range between signals when the ECG signals are small.

3 - Post Processing Filters Feature

The **Post Processing Filters Features** controls provides a low-pass, a 50Hz/60Hz notch, and a high-pass digital filters for post-processing the data from the ADS1298. To activate each filter, the **Enable** checkbox should be checked. To disable the filter, the **Enable** checkbox should be unchecked. Any combination of the three digital filters can be used by enabling the respective filter.

The low-pass filter controls a digital low-pass filter, whose order and cutoff frequency are controlled using the **Filter Order** and **Cutoff Freq** controls in the low-pass filter part of the Post Processing Filters group (left side of the box).

The notch filter provides a 50Hz/60Hz notch filter, whose order and 50Hz/60Hz notch selection are controlled using the **Filter Order** and **Notch Freq** controls in the low-pass filter part of the Post Processing Filters group (center of the box).

The high-pass filter controls a digital high-pass filter, whose order and cutoff frequency are controlled using the **Filter Order** and **Cutoff Freq** controls in the high-pass filter part of the Post Processing Filters group (right side of the box).

NOTE: The digital filters are not part of the ADS1298. These are digital filters implemented in the UI to aid in the evaluation of the ADS1298ECG-FE.

4 - Zoom Feature

The zoom feature is available to allow the user to navigate and view all signals at the same time, as shown in [Figure 28](#). This tool allows the user to zoom in/out on the horizontal or vertical axis and pan left or right while viewing all ECG signals simultaneously.

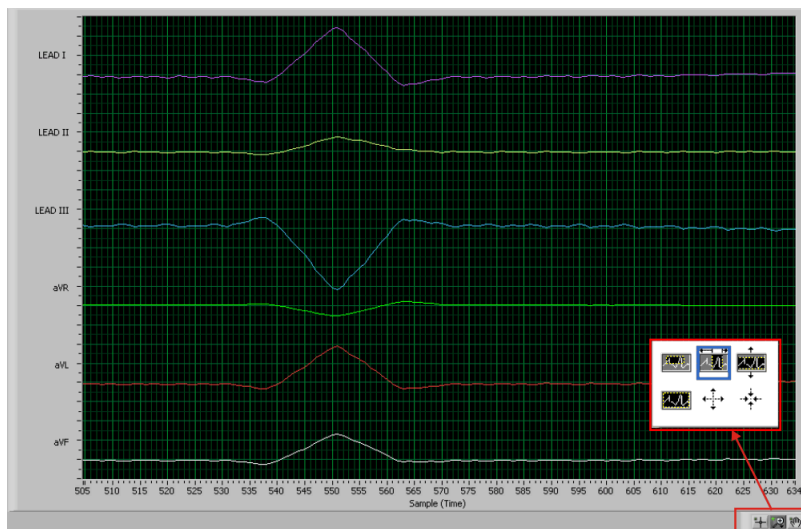


Figure 28. ECG Signal Zoom Feature for Six Leads

Additionally, each ECG signal can be zoomed individually by moving the mouse (which appears as a plus icon) over the lead of interest and clicking on it. A new window opens showing the raw ECG data as read from the ADS1298. This window provides controls in the lower right corner to zoom in/out or pan right/left to provide a more detailed inspection of the individual ECG signal.

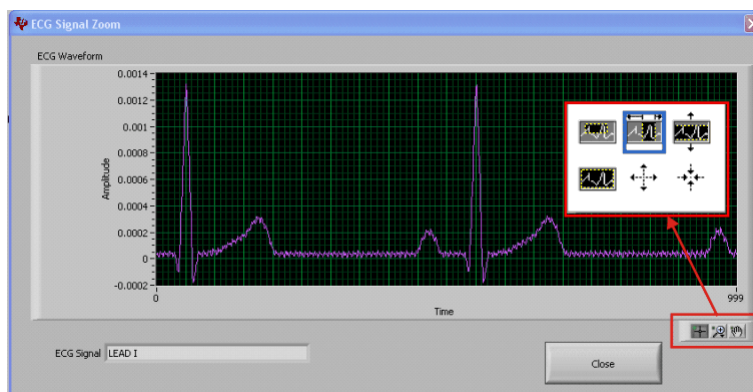


Figure 29. ECG Signal Zoom Feature for Lead 1

3.6 Save Tab

The **Save** tab provides the user the ability to save the collected data for a record of the evaluation or further analysis. Reference the previous sections for the list of the analysis data available for each analysis.

The *Analysis to Save* group allows the user to save the different analysis calculations that were performed on the data.

- **Scope Analysis** saves the scope analysis data available from the scope analysis pop-up window
- **FFT Analysis** saves the FFT analysis data available from the FFT analysis pop-up window.
- **Histogram Analysis** saves the histogram analysis data available from the histogram analysis pop-up window.
- **Register Settings** saves the current settings from the register map and can be useful to obtain the register values for your specific device configuration. Saving the register map in this format is not be confused with saving your register settings for reloading into the software at another time (see [Section 3.1](#)).

Each item will be saved if the corresponding checkbox is checked.

The *Data to Save* group allows the user to save the various data sets collected from the ADS1298. The **CH x** controls allow the user to specify which channels will be saved for each of the data selections made.

- **Data - Codes** selects the raw data (in codes format) to be saved to a file.
- **Data - Volts** selects the raw data (converted to voltage) to be saved to a file.
- **FFT Data** selects the calculated FFT data to be saved to a file. Note: This is not raw data; it is the frequency bin and magnitude data that was calculated by the UI.
- **Histogram Data** selected the calculated Histogram data to be saved to a file. Note: This is not raw data; it is the code bin and number of occurrences data that was calculated by the UI.

The User Comments/Notes group allows the user to indicate a **Record Number** and **User Comments** that are saved with each file. This data permits the user to distinguish different data sets from one another.

The **Directory to Save Files** is the directory where all the saved files will be placed. The user can select a directory by pressing the folder button (located to the right of the control). Each data file that is saved is automatically named to prevent overwriting of files.

The **Save To File** button saves all the data files that were selected using the checkboxes to the selected directory.

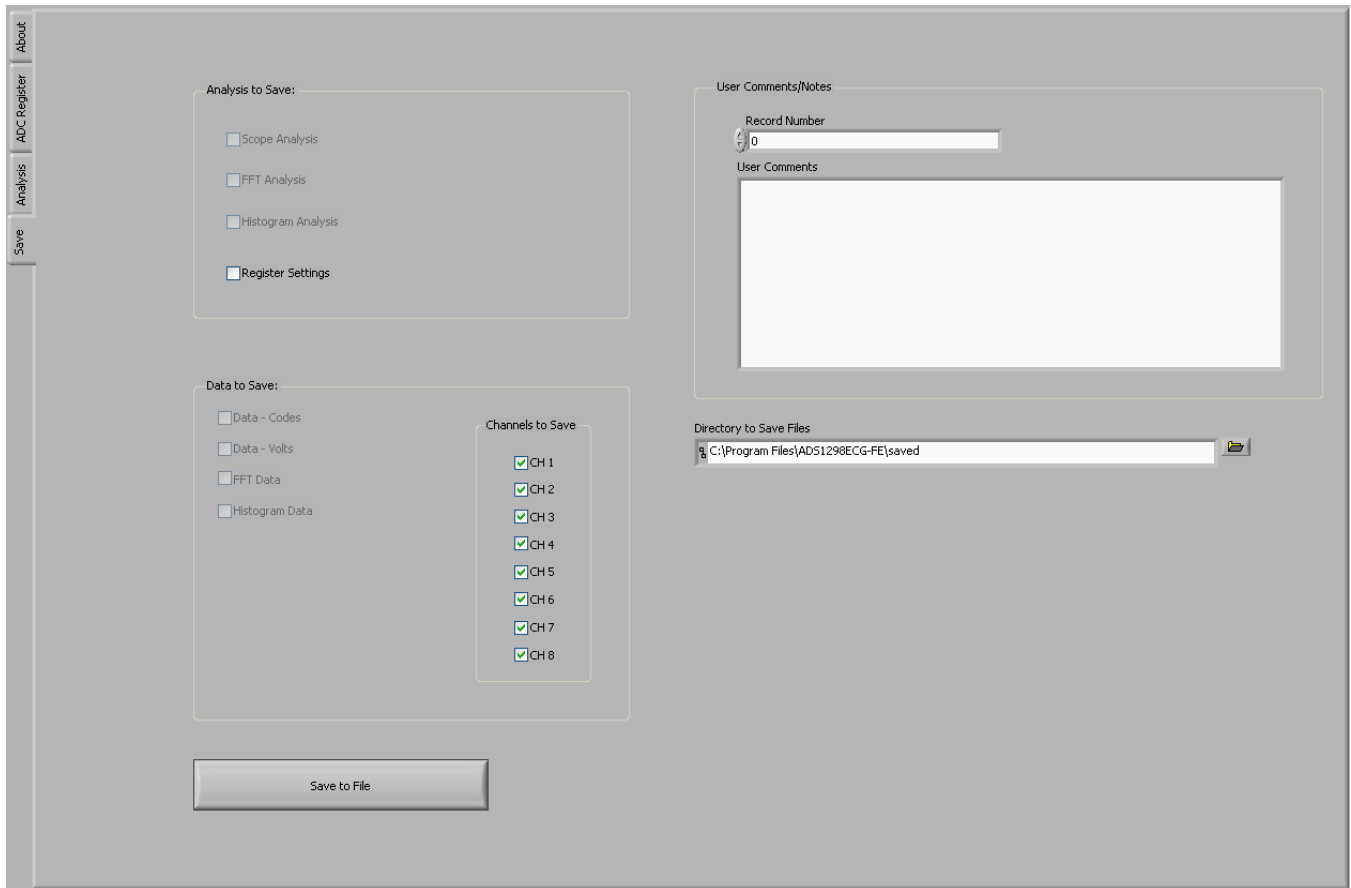


Figure 30. Save Tab

4 ADS1x98ECG-FE Input Signals

NOTE: Before evaluating specific ECG functions, it is recommended that the user acquire data with inputs shorted internally. This configuration ensures that the board is operating properly.

4.1 Input Short Testing

By default, the EVM powers up with the individual channels to an internal short with a data rate of 500SPS and a PGA gain of 6. Once the **Acquire** button is pressed, the Scope Analysis should reflect input-referred V_{PP} values less than $5\mu V_{PP}$.

4.2 Internal Test Signals Input

Configuration Register 2 controls the signal amplitude and frequency of an internally-generated square wave test signal. The primary purpose of this test signal is to verify the functionality of the front-end MUX, the PGA, and the ADC. The test signals may be viewed on the *ECG Display* tab, as [Figure 31](#) shows. Detailed instructions for using the *ECG Display* tab are provided in [Section 3.5.4](#).

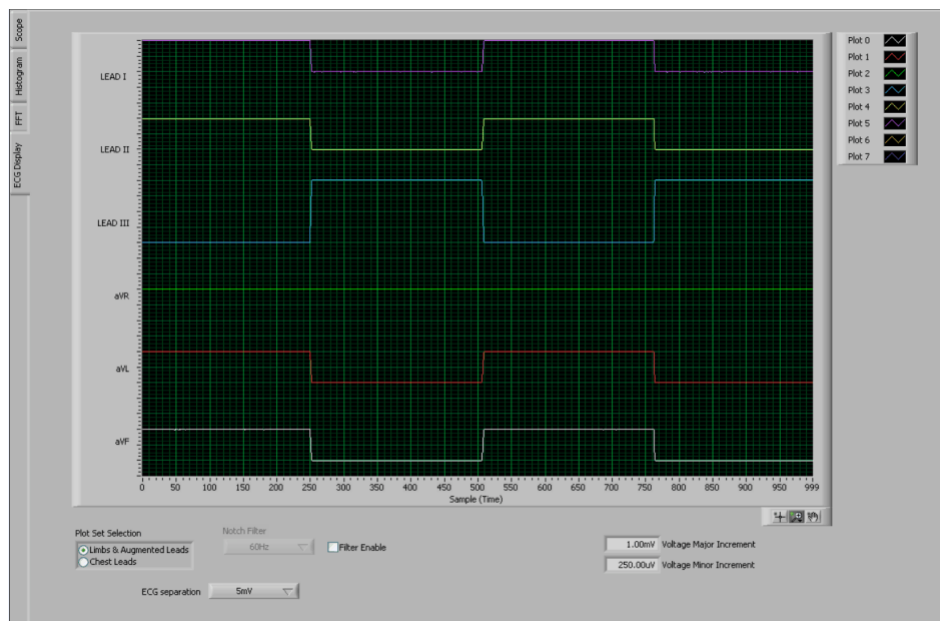


Figure 31. Example of Internal Test Signals Viewed on the ECG Display Tab

4.3 Temperature Sensor

The internal temperature sensor on the ADS1298 is shown in Figure 32. When the internal MUX is routed to the temperature sensor input, the ADC internal temperature is calculated from the ADC output voltage using Equation 1.

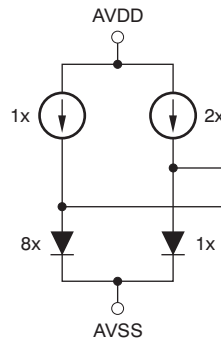


Figure 32. Internal Temperature Sensor

$$\text{Temperature } (^{\circ}\text{C}) = \left[\frac{\text{Temperature Reading } (\mu\text{V}) - 145,300\mu\text{V}}{490\mu\text{V}/^{\circ}\text{C}} \right] + 25^{\circ}\text{C} \tag{1}$$

The ADC can be configured to give a temperature reading by selecting the *Temperature Sensor* option on the Channel Control Registers GUI (see Section 3.4.2.2) and verified using the *Scope* tab as shown in Figure 33. The number **0.1447V** (on the y-axis) can be calculated as a temperature using Equation 1:

$$\text{Temperature} = (0.1447 - 0.145300) / 0.00049 + 25 = 23.78^{\circ}\text{C}$$

A more detailed description of the Scope tab is provided in Section 3.5.1.



Figure 33. Eight-Channel Read of Internal Temperature

4.4 Normal Electrode Input

The *Normal Electrode* input on the MUX routes the inputs (VINP and VINN) differentially to the internal PGA, as Figure 11 illustrates. In this mode, an ECG, sine wave, or pulse generator may be connected to test the ADS1298.

Figure 34 shows a typical six-lead output when connected to a 5mV_{PEAK} , 80BPM ECG signal.



Figure 34. Normal Electrode ECG Connection in ECG Display Tab

4.4.1 Capturing 12-Lead ECG Signals

To capture signals from external inputs:

1. Configure the **Channel Input** control in *Globally Set Channels* to *Normal Electrode*.
2. Connect the 10 ECG electrodes from the Fluke simulator to the EVM through the DB15 connector (J1). Refer to Section A.5 for the ECG cable details. The ECG electrode signals are passed through a single pole RC filter followed by the lead configuration. For ECG signal processing, the electrode signals are routed through J5 to the ADS1298 input. The signal path in the board can be chosen by jumper settings, depending on the application.

4.5 MV_{DD} Input, RLD Measurement, RLD Positive Electrode Driver, and RLD Negative Electrode Driver

The MV_{DD} input option allows the measurement of the supply voltage $V_S = (AV_{\text{DD}} + AV_{\text{SS}})/2$ for channels 1, 2, 5, 6, 7, and 8; however, the supply voltage for channel 3 will be $DV_{\text{DD}}/2$. As an example, in bipolar supply mode, $AV_{\text{DD}} = 3.0\text{V}$ and $AV_{\text{SS}} = -2.5\text{V}$. Therefore, with the PGA gain = 1, the output voltage measured by the ADC will be approximately 0.25V.

The RLD measurement takes the voltage at the RLDIN pin and measures it on the PGA with respect to $(AV_{\text{DD}} + AV_{\text{SS}})/2$. This feature is beneficial if the user would like to optimize the gain of the RLD loop.

The voltage used to derive the right leg drive for both the positive and negative electrodes may also be measured with respect to $(AV_{DD} + AV_{SS})/2$.

4.6 Lead Derivation

The EVM is configured to generate the 12 ECG signals using 10 electrodes connected to the eight ADC channels. Lead I, Lead II, and V1-V6 are computed in the analog domain, while the augmented leads and Lead III are computed digitally. The channel assignments are described in [Table 2](#).

- LA = Left Arm
- LL = Left Leg
- RA = Right Arm

Table 2. ADS1298 Lead Measurements

ADS1298 Input Channels	Lead ⁽¹⁾
1	V6 = V6 – WCT
2	LEAD I = LA – RA
3	LEAD II = LL – RA
4	V2 = V2 – WCT
5	V3 = V3 – WCT
6	V4 = V4 – WCT
7	V5 = V5 – WCT
8	V1 = V1 – WCT

⁽¹⁾ WCT = (LA + RA + LL)/3

Table 3. Derived Lead Calculations

Derived Lead	Formula Used to Calculate
LEAD III	LL - RA - LA = LEAD II - LEAD I
aVR	RA - (LA + LL) / 2 = - (LEAD I + LEAD II) / 2
aVL	LA - (RA + LL) / 2 = LEAD I - LEAD II / 2
aVF	LL - (RA + LA) / 2 = LEAD II - LEAD I / 2

4.7 Wilson Center Terminal (WCT)

The Wilson Center Terminal voltage is internally generated by the ADS1298 device. The *WCT1* and *WCT2* registers provide controls to select any of the eight inputs (CH1P to CH4P, CH1M to CH4M) for routing to the three integrated WCT amplifiers.

The ADS1298ECG-FE is configured for 12-lead ECG inputs, with the limb electrodes connected as shown in [Table 2](#). During EVM power-up, the firmware configures the device to route CH2P, CH2M, and CH3P (RA, LA, LL) to the internal buffers. This configuration generates a signal at the WCT pin equal to $(RA + LA + LL)/3$. By installing JP16, the WCT is routed to the single-ended channels to achieve the desired signals.

4.8 Right Leg Drive

The RL electrode is driven directly by the RLD signal generated on-chip by the ADS1298. The bandwidth of the RLD loop is determined by R8 (392kΩ) and C20 (10nF). Users can change these values to set the bandwidth based on their specific application. The loop stability is determined by the user's specific system. Therefore, adjustment of the feedback component values may be required to ensure stability if additional filtering components and long cables are added before the ADS1298ECG-FE.

In a typical application, the RLD signal is implemented as the average of RA, LA, and LL. For system flexibility, the ADS1298 allows the user to select any combination of the electrodes to generate the RLD (see [ADS1298 data sheet](#) or [ADS1198 data sheet](#) for more details).

4.8.1 RLD Common Mode Voltage

The RLD common mode voltage can be set to $(AVDD+AVSS)/2$ or to an externally provided source. If the application requires the common mode to be set to any voltage other than mid-supply, this can be accomplished by setting the appropriate bit in the [Configuration 3 Register](#). On the ADS1298ECG-FE, the external RLDREF voltage is set using resistor R1 and adjustable resistor R2 (R1 and R2 are not installed by default).

During power-up, the firmware configures the device for internal RLDREF operation. To configure the RLD circuitry manually, use the following steps and the controls found on the **ADC Register** tab.

1. Verify that the **Channel Input** is set to the *Normal Electrode* mode for all channels (**Channel Registers** tab).
2. In *CONFIG3* control register (**Channel Registers** tab):
 - Enable the RLD Buffer (**RLD Buffer Power** = *Enable*)
 - Set the internal RLD reference (**RLDREF Signal Source**)
3. Select the electrodes for the RLD loop from the *Right Leg Drive Derivation Control Registers* controls (**LOFF and RLD** tab)

Once these steps are completed, measure and verify that the voltage on either side of R38 is close to mid-supply. This measurement confirms whether the RLD loop is functional.

The on-chip RLD signal can be fed back into the ADS1298 by shorting JP1. This RLD signal can then be sent to the ADC (to measure for debug purposes) or to other electrodes for driving (to change the reference drive in case the RL electrode falls off). Refer to the [ADS1298 product data sheet](#) or [ADS1198 data sheet](#) for additional details.

4.8.2 Driving the RLD Cable Shield

Apart from the RLD signal, the ADS1298ECG-FE also offers three options to drive the cable shield:

- In-phase RLD signal
- Out-of-phase RLD signal
- Board AGND

[Table 4](#) summarizes the configuration of JP15 and JP17 for each of the options.

Table 4. RLD Jumper Options

ECG Cable ELEC_SHD signal	JP15	JP17
AGND	1-2	Don't Care
RLD (0: In phase)	2-3	2-3
RLD (180: Out of phase)	2-3	1-2

4.9 PACE Detection

The ADS1298 supports data rates up to 32kSPS for software PACE detection, which typically requires a data rate of at least 8kSPS.

NOTE: The ADS1298ECG-FE does **not** include software PACE detection algorithms.

The ADS1298 provides the user the flexibility of doing hardware PACE detection with external circuitry. PACE detection can be done simultaneously on two channels: one from the odd channels and one from the even channels. Refer to the [ADS1298 product data sheet](#) or [ADS1198 product data sheet](#) for additional details.

To turn on the PACE buffer and select the channels, set the **PACE** Register from the **GPIO and OTHER Registers** tab. The PGA outputs of the selected channels are available at connector J5, pins 1 and 2.

Figure 35 shows an example waveform created by a Fluke Medsim 300B processed by the ADS1298 at a data rate of 8kSPS. Using higher data rates increases power consumption because all channels must sample at this data rate simultaneously; thus, the PACE buffers offer the flexibility to process PACE signals separately from the ADS1298. The signal must be AC coupled to obtain the waveform shown below.

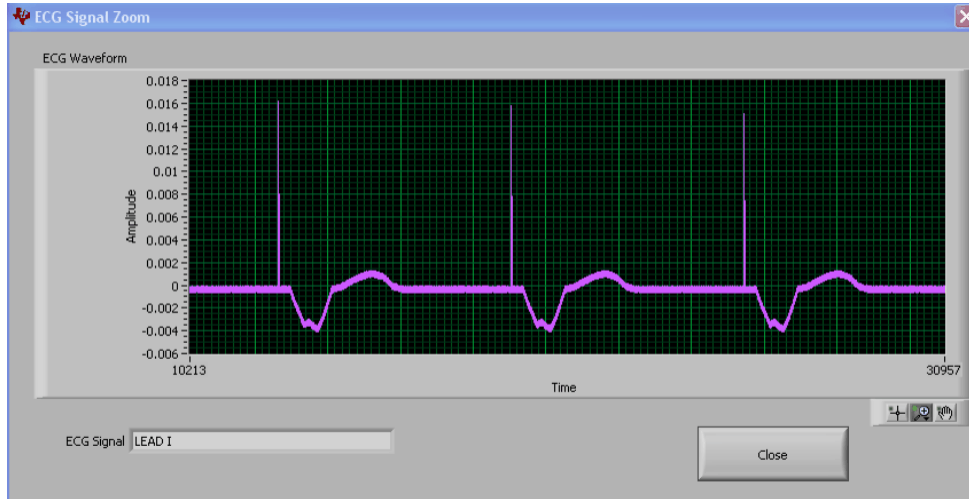


Figure 35. Digitization of PACE Signal Using ADS1298

5 ADS1298ECG-FE/ADS1198ECG-FE Hardware Details

The ADS1298 ECG front-end evaluation board is configured to be used with the TI MMB0 data converter evaluation platform. The ADS1298ECG-FE board is a four-layer circuit board. The board schematic and layout are provided in [Appendix A](#).

The ADS1298ECG-FE can be used as a demonstration board for standard, 12-lead ECG applications with an input configuration of 10 electrodes. Users can also bypass the 12-lead configuration and provide any type of signal directly to the ADS1298 through a variety of hardware jumper settings (JP26-33; see [Section A.4](#)). External support circuits are provided for testing purposes such as external references, clocks, lead-off resistors, and shield drive amplifiers.

Figure 36 shows the functional block diagram with important jumper names for the board.

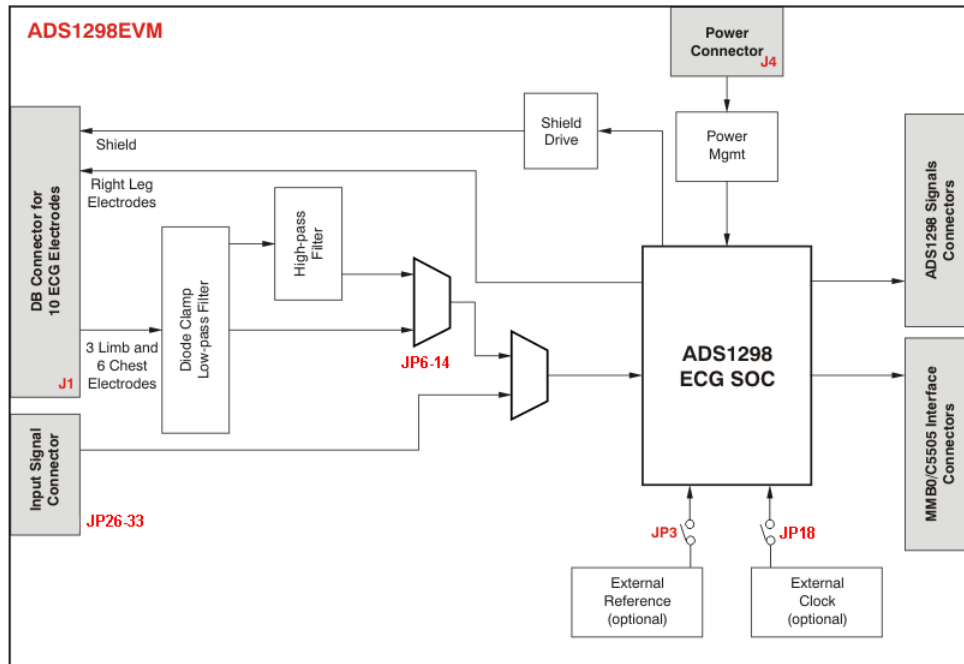


Figure 36. ADS1298ECG-FE Front-End Block Diagram

5.1 Jumper Description

Table 5 shows the jumpers on the ADS1298ECG-FE and options available for each jumper.

Table 5. ADS1x98ECG-FE Default Jumper/Switch Configuration

Jumper	Function	Settings
JP1	Installed	RLD feedback
JP2	AVDD supply source	1-2: AVDD selected for bipolar supply operation (AVDD = +2.5V) 2-3: AVDD selected for single supply operation (AVDD = +3.0V)
JP3	External Reference Connection (Header Not Installed) ⁽¹⁾	Open: External reference not connected Installed: External reference connected
JP4	Connect EVM +5V rail to J4(power header)	Open: EVM +5V must be supplied externally Installed: EVM +5V supplied from J4 (power header)
JP5	$\overline{\text{PWN}}$ source	Open: $\overline{\text{PWN}}$ pin controlled from J5 header (pulled up to DVDD) Installed: Device is powered down ($\overline{\text{PWN}}$ pin = AGND)
JP6 to JP114	Input signal DC/AC couples (Header Not Installed)	1-2: DC-coupled input signals (Pins 1-2 shorted on PCB) 2-3: AC-coupled input signals (Requires installation of header and cutting PCB short of pin 1-2)
JP15	ECG shield drive connected	1-2: ECG shield is grounded (AGND) 2-3: ECG shield is connected to buffer (required U2 installation, otherwise shield connection is open)
JP16	Wilson Central Terminal (WCT) connection	Open: WCT NOT connected to JP26-30 and JP33 Installed: WCT connected to JP26-30 and JP33 for connection to CH1 and CH4-8 IN-
JP17	ECG shield drive buffer input(Header Not Installed) ⁽²⁾	1-2: ECG shield drive connected to RLDOUT 2-3: ECG shield drive connected to RLDINV
JP18	CLK connection	1-2: CLK connected to DSP (J3.17) 2-3: CLK connected to OSC1
JP19	OSC1 Enable	1-2: OSC1 enabled 2-3: OSC1 disabled
JP20	AVSS supply source	1-2: AVSS selected for single supply operation (AVSS = 0V (AGND)) 2-3: AVSS selected for bipolar supply operation (AVSS = -2.5V)
JP21	$\overline{\text{CS}}$ source	1-2: $\overline{\text{CS}}$ connected to DSP via J3.1 2-3: $\overline{\text{CS}}$ connected to DSP via J3.7
JP22	START source	1-2: START comes from J3.1 2-3: START comes from J3.14
JP23	CLKSEL source	1-2: External Master Clock 2-3: Internal Master Clock (CLKSEL controlled by J3.2 (pulled up to DVDD))
JP24	DVDD Supply Select	1-2: DVDD supply = 1.8V 2-3: DVDD supply = 3.3V
JP25	External Reference Selection (Header Not Installed) ⁽³⁾	1-2: Select U4 as reference source 2-3: Selected U3 as reference source
JP26	CH8- connection	Open: Channel input not connected Installed: Channel input connected to WCT (requires JP16 to be installed)
	CH8+ connection	Open: Channel input not connected Installed: Channel input connected to ECG_V1
JP27	CH7- connection	Open: Channel input not connected Installed: Channel input connected to WCT (requires JP16 to be installed)
	CH7+ connection	Open: Channel input not connected Installed: Channel input connected to ECG_V5
JP28	CH6- connection	Open: Channel input not connected Installed: Channel input connected to WCT (requires JP16 to be installed)
	CH6+ connection	Open: Channel input not connected Installed: Channel input connected to ECG_V4

⁽¹⁾ Requires installation of JP25 and references U3/U4

⁽²⁾ Requires installation of U2

⁽³⁾ Requires installation of JP3 and references U3/U4

Table 5. ADS1x98ECG-FE Default Jumper/Switch Configuration (continued)

Jumper	Function	Settings
JP29	CH5- connection	Open: Channel input not connected Installed: Channel input connected to WCT (requires JP16 to be installed)
	CH5+ connection	Open: Channel input not connected Installed: Channel input connected to ECG_V3
JP30	CH4- connection	Open: Channel input not connected Installed: Channel input connected to WCT (requires JP16 to be installed)
	CH4+ connection	Open: Channel input not connected Installed: Channel input connected to ECG_V2
JP31	CH3- connection	Open: Channel input not connected Installed: Channel input is connected to ECG_RA
	CH3+ connection	Open: Channel input not connected Installed: Channel input is connected to ECG_LL
JP32	CH2- connection	Open: Channel input not connected Installed: Channel input is connected to ECG_RA
	CH2+ connection	Open: Channel input not connected Installed: Channel input is connected to ECG_LA
JP33	CH1- connection	Open: Channel input not connected Installed: Channel input connected to WCT (requires JP16 to be installed)
	CH1+ connection	Open: Channel input not connected Installed: Channel input connected to ECG_V6

5.2 Power Supply

The ADS1x98EVM mounts on the MMB0 EVM with connectors J2, J3 and J4. The main power supplies (+5V, +3V and +1.8V) for the front-end board are supplied by the host board, MMB0, through connector J4. All other power supplies needed for the front-end board are generated on board by power management devices. The EVM is shipped in +3V unipolar supply configuration.

The ADS1298 can operate in a single supply with +3.0V to +5.0V analog supply (AVDD/AVSS) or bipolar mode supply ($\pm 1.5V$ to $\pm 2.5V$). An additional digital supply of and +1.8V to +3.0V digital supply (DVDD) is required for operation. The ADS1298EVM power consumption can be measured by removing the JP4 jumper and JP24 jumper to connect an ammeter. By shorting JP5, the ADS1298 can be placed in powerdown mode for low power consumption.

Test points TP5, TP6, TP7, TP8, TP9, TP10, and TP14 are provided to verify the power supplies voltages are correct. The test points and voltages are shown in [Table 6](#).

Table 6. Power-Supply Test Points

Test Point	Voltage
TP7	+5.0V
TP9	+1.8V
TP10	+3.3V
TP5	+3.0V
TP13	+2.5V
TP6	-2.5V
TP8	GND

The front-end board must be properly configured in order to achieve the various power-supply schemes. The default power-supply setting for the ADS1298ECG-FE is a bipolar analog supply of $\pm 2.5V$ and DVDD of either +3V or +1.8V. [Table 7](#) shows the board and component configurations for each analog power-supply scheme and [Table 8](#) shows the board configurations for the digital supply.

Table 7. Analog Supply Configurations (AVDD/AVSS)

AVDD/AVSS	Unipolar Analog Supply		Bipolar Analog Supply	
	3V	5V	±1.5V	±2.5V
JP20	1-2	1-2	2-3	2-3
JP2	2-3	2-3	1-2	1-2
U7	TPS73230	TPS73250	Don't Care	Don't Care
U9	Don't Care	Don't Care	TPS73201	TPS73201
U8	Don't Care	Don't Care	TPS72301	TPS72301
R52	Don't Care	Don't Care	21kΩ	47.5kΩ
R53	Don't Care	Don't Care	78.7kΩ	43kΩ
R56	Don't Care	Don't Care	23.3kΩ	49.9kΩ
R57	Don't Care	Don't Care	95.3kΩ	46.4kΩ
C87, C67, C62	Not Installed	Not Installed	Not Installed	Not Installed

Table 8. Digital Supply Configurations (DVDD/DGND)

DVDD	+3.0V	+1.8V
JP24	1-2	2-3

5.3 Clock

The ADS1298 has an on-chip oscillator circuit that generates a 2.048MHz clock (nominal). This clock can vary by ±5% over temperature. For applications that require higher accuracy, the ADS1298 also accepts an external clock signal. The ADS1298ECG-FE provides an option to test both internal and external clock configurations. For the external signal, circuitry is available to generate the external clock from an on-board oscillator or from an externally connected source.

The external oscillator included on the EVM is powered from DVDD, the same supply as the ADS1298. Care must be taken to ensure that the externally supplied clock oscillator can operate either with +1.8V or +3.0V, depending on the DVDD supply configuration. [Table 9](#) shows the jumper settings for the three options for the ADS1298 clocks.

Table 9. CLK Jumper Options

ADS1298 Clock	Internal Clock	External OSC Clock	External Clock
JP18	Not Installed	2-3	1-2
JP19	Don't Care	1-2 (Disable)	Don't Care
		2-3 (Enable)	

A 2.048MHz oscillator installed on the EVM for +3V DVDD operation is FXO-HC735-2.048MHz. If operation at +1.8V DVDD is desired, the oscillator will need to be replaced. SiT8002AC-34-18E-2.048 is a possible oscillator for +1.8V DVDD operation. The EVM is shipped with the external oscillator enabled.

5.4 Reference

The ADS1298 has an on-chip internal reference circuit that provides reference voltages to the device. Alternatively, the internal reference can be powered down and VREFP can be applied externally. This configuration is achieved with the external reference generators (U3 and U4) and driver buffer. **NOTE:** U3, U4, and driver buffer are not installed. The externally provided reference voltage can be set to either 4.096V or 2.5V, depending on the analog supply voltage. Measure TP3 to make sure the external reference is correct. The settings for the external reference is described in [Table 10](#).

Table 10. External Reference Jumper Options

	Internal Reference	External Reference	
ADS1298 Reference	VREF = 2.5V	VREFP = 4.096V	VREFP = 2.5V
JP25	Don't Care	2-3	1-2
JP3	Not Installed	Installed	Installed

The software uses the V_{REF} value from the **Reference Voltage** control (*CONFIG3* register) in [Section 3.4.2.1](#) to calculate the input-referred voltage value for all the tests. The default value is 2.5V. If the user is using an alternative value, the control must be updated to display the collected data to the proper scale.

5.5 Analog Output Signals

Several output signals from the ADS1298 are provided on the J5 header. [Table 11](#) lists the various test signals and their location on the header. The PACEOUT pins can also be used as an auxiliary differential input channel. Alternatively with appropriate user configuration, these pins may provide PACE detection for use with external PACE detection circuitry (see PACE Detect Register in [Section 3.4.4](#)).

Table 11. Test Signals

Signal	J5 Pin Number		Signal
PACEOUT2	1	2	PACEOUT1
NOT CONNECTED	3	4	NOT CONNECTED
PWDNB	5	6	GPIO4
DAISY_IN	7	8	GPIO3
GND	9	10	NOT CONNECTED

5.6 Digital Signals

The ADS1298 digital signals (including SPI interface signals, some GPIO signals, and some of the control signals) are available at connector J3. These signals are used to interface to the MMB0 board DSP. The pinout for this connector is given in [Table 12](#).

Table 12. Serial Interface Pinout

Signal	J3 Pin Number		Signal
START/ \overline{CS}	1	2	CLKSEL
CLK	3	4	GND
NC	5	6	GPIO1
\overline{CS}	7	8	RESETB
NC	9	10	GND
DIN	11	12	GPIO2
DOUT	13	14	NC/START
DRDYB	15	16	NC
NC	17	18	GND
NC	19	20	NC

5.7 Analog Input Signals

The ADS1298ECG-FE provides users the option to feed in standard ECG signals from a patient simulator to the DB15 connector (J1), or to feed inputs from any arbitrary signal source directly to the ADS1298.

5.7.1 Patient Simulator Input

The output from any typical patient simulator can be directly fed into the DB15 connector (J1). For all measurements in this user guide, a Fluke medSim 300B simulator was used as the ECG signal source (Figure 37). The simulator is capable of generating ECG signals down to $50\mu\text{V}$ of amplitude. Particular attention must be given to the common-mode value of the input signal for proper data capture. Refer to the [ADS1298 product data sheet](#) or [ADS1198 product data sheet](#) for the common-mode range for various programmable gain amplifier (PGA) gain settings. Section 4.4.1 explains the process used to capture 12-lead ECG data.



Figure 37. Fluke Simulator Configuration

5.7.2 Arbitrary Input Signals

Arbitrary input signals can be connected to the ADS1298 by bypassing the DB15 connector and feeding the signal directly at jumpers JP26-JP33. This requires the removal of the 16 jumpers at JP26-JP33. The input signal must be connected differentially since each ADC channel input is differential. If it is desired to connect single-ended signals, bias the negative input of the channels to a mid-supply voltage.

NOTE: Ensure that the single-ended signal has an offset equal to the voltage supplied at the negative input of the channel.

Schematics, BOM, Layout, and ECG Cable Details

A.1 Overview

This section contains the complete bill of materials, printed circuit board (PCB) layouts, and schematic diagrams for the ADS1x98ECG-FE.

NOTE: Board layouts are not to scale. These are intended to show how the board is laid out; they are not intended to be used for manufacturing ADS1298ECG-FE PCBs.

A.2 ADS1x98ECG-FE Front-End Board Schematics

The ADS1x98ECG-FE schematic is appended to this document.

A.3 Bill of Materials

Table 13 lists the bill of materials for the ADS1x98ECG-FE.

Table 13. Bill of Materials: ADS1x98ECG-FE

Count	RefDes	Description	Size	Part Number	MFR
1	NA	Printed wiring board		6514709	TI
15	C1, C2, C3, C4, C5, C6, C11, C17, C47, C48, C49, C52, C58, C76, C77	Capacitor, ceramic 1µF 25V 10% X5R	0603	GRM188R61E105KA12D	Murata
0	C7, C8, C15, C19, C21, C22, C25, C27, C34, C36, C38, C40, C41, C42, C43, C44, C56, C62, C67, C78, C79, C81, C83, C85, C87, C89	Not installed			
1	C9	Capacitor, ceramic 22µF 6.3V 10% X5R	0805	JMK212BJ226KG-T	Taiyo Yuden
11	C10, C45, C46, C50, C51, C54, C55, C60, C61, C65, C66	Capacitor, ceramic 10µF 10V 10% X5R	0805	GRM219R61A106KE44D	Murata
10	C12, C13, C14, C16, C18, C57, C69, C70, C94, C95	Capacitor, ceramic 0.1µF 50V 10% X7R	0603	GRM188R71H104KA93D	Murata
1	C20	Capacitor, ceramic 10nF 50V 10% X7R	0603	GRM188R71H103KA01D	Murata
20	C23, C24, C26, C28, C29, C30, C31, C32, C72, C73, C74, C75, C80, C82, C84, C86, C88, C91, C92, C93	Capacitor, ceramic 47pF 50V 5% C0G	0603	GRM1885C1H470JA01D	Murata
0	C33, C35, C37	Not installed			
0	C39	Not installed			
4	C53, C59, C63, C64	Capacitor, ceramic 2.2µF 6.3V 10% X5R	0603	GRM185R60J225KE26D	Murata
2	C68, C71	Capacitor, ceramic 100µF 10V 20% X5R	1210	LMK325BJ107MM-T	Taiyo Yuden
1	C90	Capacitor, ceramic 1000pF 50V 5% X7R	0603	C1608X7R1H102J	TDK
0	D1 - D10	Not installed			
1	J1	Connector, DSUB Rcpt 15-position R/A PCB SLD		D15S13A4GV00LF	FCI
2	J2, J3	10x2x0.1 female (installed from bottom side)		SSW-110-21-FM-D	Samtec
1	J4	5x2x0.1 female (installed from bottom side)		SSW-105-21-FM-D	Samtec
0	J5	Not installed			
4	JP1, JP4, JP5, JP16	2-position jumper 0.1" spacing		TSW-102-07-T-S	Samtec
0	JP3	Not installed			
0	JP6, JP7, JP8, JP9, JP10, JP11, JP12, JP13, JP14, JP17, JP25	Not installed			
9	JP2, JP15, JP18, JP19, JP20, JP21, JP22, JP23, JP24	3-position jumper 0.1" spacing		TSW-103-07-T-S	Samtec
8	JP26, JP27, JP28, JP29, JP30, JP31, JP32, JP33	2x2x0.1, 2-pin dual row header		TSW-102-07-T-D	Samtec
5	L1 - L5	Ferrite bead 470Ω	0805	BK2125HM471-T	Taiyo Yuden
0	R1, R4, R5, R11, R12, R15, R16, R19, R20, R23, R24, R27, R28, R31, R32, R35, R36, R41, R42, R45 - R51, R54, R55, R58 - R66, R68, R69, R70	Not installed			
0	R2	Not installed			
5	R3, R71, R72, R73, R74	Resistor, 0.0Ω 1/10W 5% SMD	0603	RC0603JR-070RL	Yageo

Table 13. Bill of Materials: ADS1x98ECG-FE (continued)

Count	RefDes	Description	Size	Part Number	MFR
14	R6, R7, R10, R14, R18, R22, R26, R30, R34, R38, R40, R44, R67, R75	Resistor, 10.0k Ω 1/10W 1% SMD	0603	RC0603FR-0710KL	Yageo
1	R8	Resistor, 392k Ω 1/10W 1% SMD	0603	RC0603FR-07392KL	Yageo
10	R9, R13, R17, R21, R25, R29, R33, R37, R39, R43	Resistor, 22.1k Ω 1/10W 1% SMD	0603	RC0603FR-0722K1L	Yageo
1	R52	Resistor, 47.5k Ω 1/10W 1% SMD	0603	RC0603FR-0747K5L	Yageo
1	R53	Resistor, 43.2k Ω 1/10W 1% SMD	0603	RC0603FR-0743K2L	Yageo
1	R56	Resistor, 49.9k Ω 1/10W 1% SMD	0603	RC0603FR-0749K9L	Yageo
1	R57	Resistor, 46.4k Ω 1/10W 1% SMD	0603	RC0603FR-0746K4L	Yageo
5	TP1, TP2, TP8, TP11, TP12	Test point PC Mini .040"D BLACK		5001	Keystone
8	TP3, TP4, TP5, TP6, TP7, TP9, TP10, TP13	Test point PC Mini .040"D RED		5000	Keystone
1	U1 ⁽¹⁾	IC ADC 24BIT SPI 32KSPS	64TQFP	ADS1298IPAG	TI
		IC ADC 16BIT SPI 8KSPS	64TQFP	ADS1198IPAG	TI
0	U2	Not Installed			
0	U3, U4, U5	Not installed			
1	U6	IC UNREG CHRG PUMP V INV	SOT23-5	TPS60403DBVR	TI
1	U7	IC LDO REG 250MA 3.0V	SOT23-5	TPS73230DBVT	TI
1	U8	IC LDO REG NEG 200MA ADJ	SOT23-5	TPS72301DBVT	TI
1	U9	IC LDO REG 250MA ADJ-V	SOT23-5	TPS73201DBV	TI
1	U10	IC EEPROM 256KBIT 400KHZ	8TSSOP	24AA256-I/ST	Microchip
1	OSC1	OSC 2.0480 MHz 3.3V HCMOS SMT		FXO-HC735-2.048MHZ	Fox

⁽¹⁾ Installed device is determined by *Installed Device* checkbox located near lower left corner of the board.

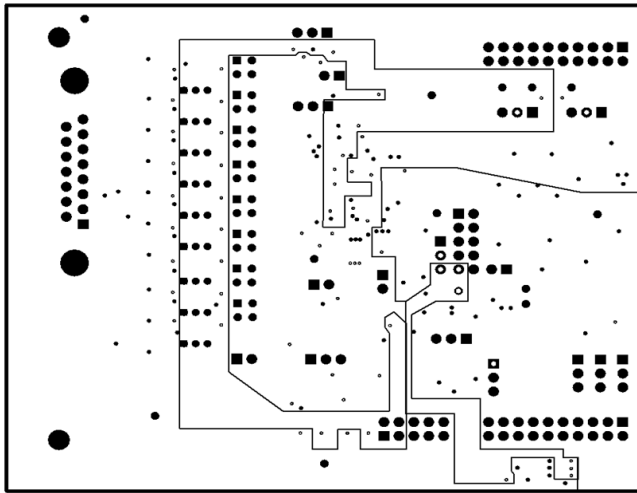


Figure 42. Internal Ground Plane (Layer 2)

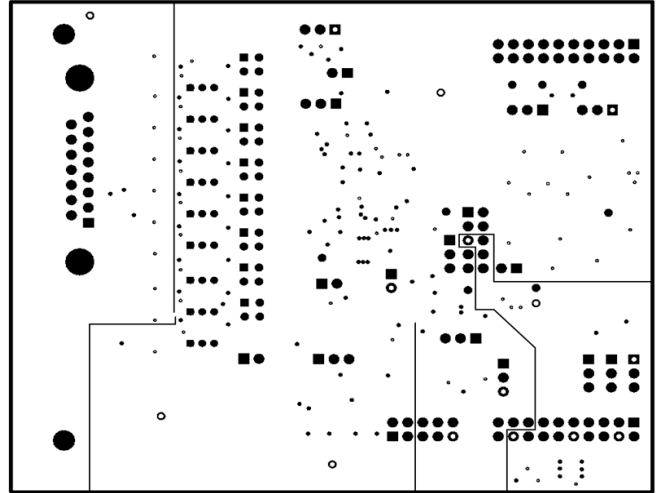


Figure 43. Internal Power Plane (Layer 3)

A.5 ECG Cable Details

Figure 44 shows the details of the recommended ECG cable.

Cable details:

- 10-lead ECG cable for Philips/HP-snap, button (Part No: 010302013); <http://www.biometricables.com/index.php?productID=692>
- 10-lead ECG cable for Philips/HP-Clip-on type (Part No: 010303013A); <http://www.biometricables.com/index.php?productID=693>

Another compatible cable for the ADS1298ECG-FE: HP/Philips/Agilent-compatible 10-lead ECG cable.

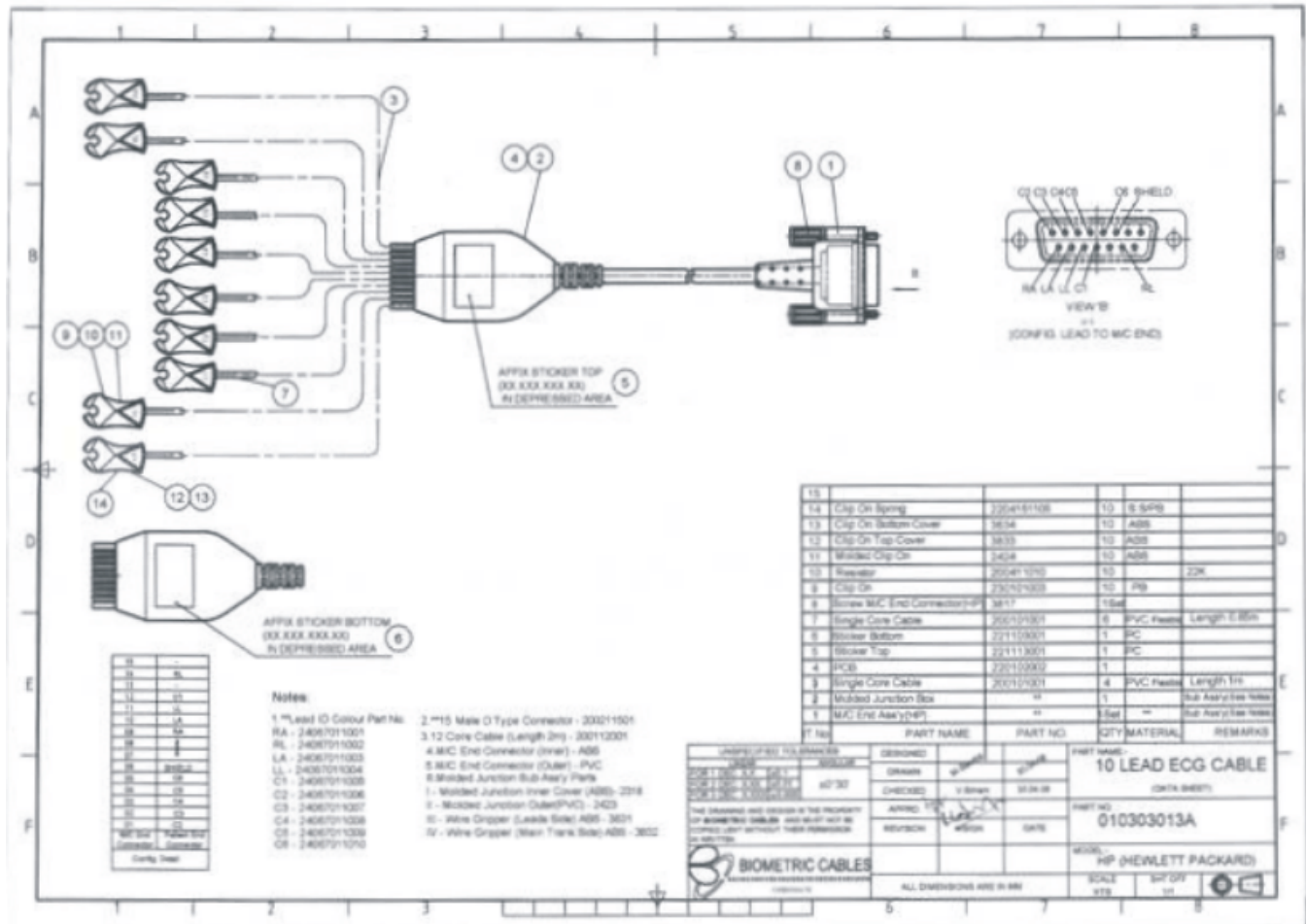


Figure 44. ECG Cable Schematic

External Optional Hardware

B.1 Optional External Hardware (Not Included)

The input of the ADS1x98ECG-FE requires a DB15 connector. [Figure 45](#) illustrates the most optimal cable connection to the ADS1298ECG-FE. [Figure 46](#) and [Figure 47](#) show two alternate ways that cables can be constructed to interface with the ADS1x98ECG-FE. [Figure 48](#) shows an alternate testing tool to the instrument used in the tests for this user guide (refer to [Section 5.7.1](#)).



Figure 45. 15-Pin, Shielded Connector from Biometric Cables

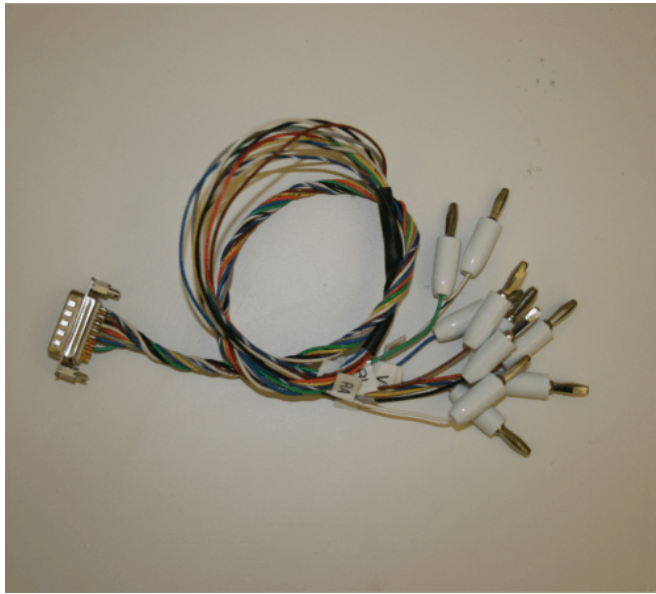


Figure 46. 15-Pin, Twisted Wire Cable to Banana Jacks



Figure 47. 15-Pin, Twisted Wire Cable

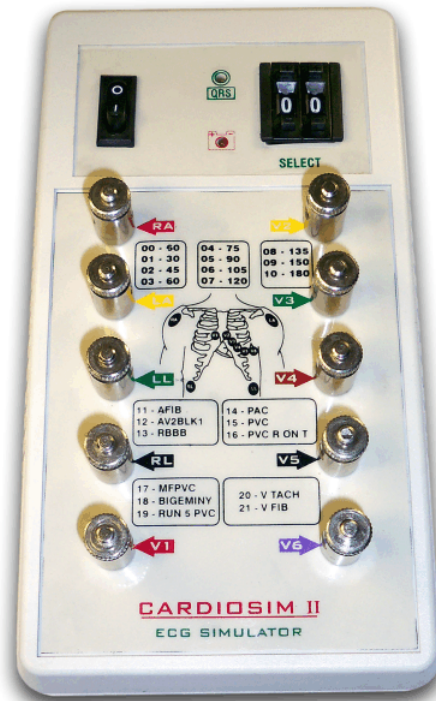


Figure 48. Cardiosim ECG Simulator Tool

B.2 ADS1x98ECG-FE Power-Supply Recommendations

If you chose to power the MMB0 board through the wall adapter jack, it must comply with the following requirements:

- Output voltage: 5.5 VDC to 15 VDC
- Maximum output current: 500 mA
- Output connector: barrel plug (positive center), 2.5-mm I.D. x 5.5-mm O.D. (9-mm insertion depth)
- Complies with applicable regional safety standards

Figure 49 shows a +6V power-supply cable (not provided in the EVM kit) connected to a battery pack with four 1.5V batteries connected in series. Connecting to a wall-powered source makes the ADS1x98ECG-FE more susceptible to 50Hz/60Hz noise pickup; therefore, for best performance, it is recommended to power the ADS1x98ECG-FE with a battery source. This configuration minimizes the amount of noise pickup seen at the digitized output of the ADS1298.



Figure 49. Recommended Power Supply for ADS1x98ECG-FE

Software Installation

C.1 Minimum Requirements

Before installing the software, verify that the PC meets the minimum requirements outlined below.

- Pentium III®/Celeron® processor, 866MHz or equivalent
- Minimum 256MB of RAM (512MB or greater recommended)
- USB 1.1-compatible input
- Hard disk drive with at least 200MB free space
- Microsoft® Windows® XP operating system with SP2 or Windows 7 operating systems (Windows Vista not tested)
- Mouse or other pointing device
- 1280 x 960 minimum display resolution

C.2 Installing the Software

CAUTION

Do not connect the ADS1x98ECG-FE before installing the software on a suitable PC. Failure to observe this caution may cause Microsoft Windows to not recognize the ADS1x98ECG-FE.

The latest software is available from the ADS1x98ECGFE-PDK product folder on the TI web site. Check the TI web site regularly for updated versions.

To install the ADS1298 software:

- Download the software from the [ADS1298ECG-FE product page](#)
- Click on the executable file **ads129xecg-fe-y.y.y.exe**, where y.y.y represents the version number of the software installer.

To install the ADS1198 software:

- Download the software from the [ADS1198ECG-FE product page](#)
- Click on the executable file **ads1198ecg-fe-y.y.y.exe**, where y.y.y represents the version number of the software installer.

Then follow the prompts illustrated in [Figure 50](#) through [Figure 53](#).

You must accept the license agreement (shown in [Figure 51](#)) before proceeding with the installation.

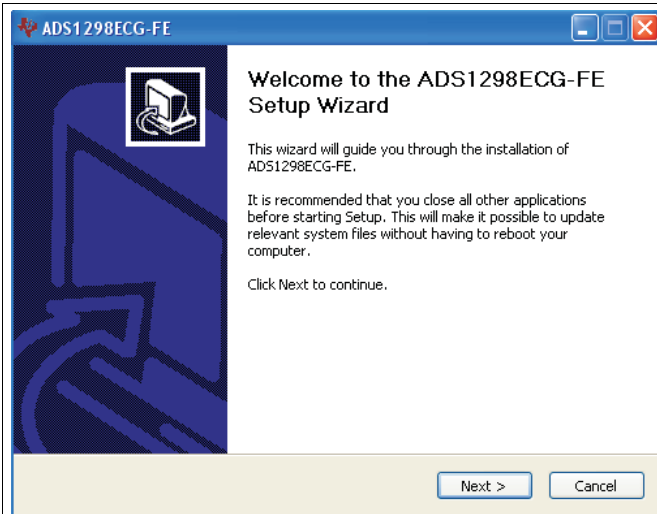


Figure 50. Initialization of ADS1x98ECG-FE

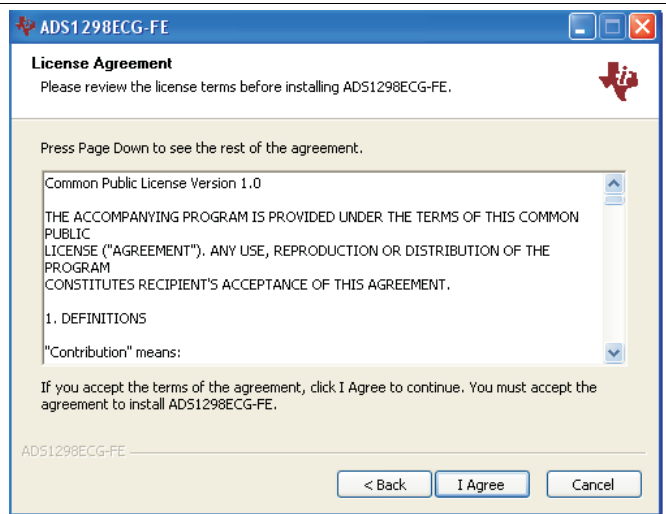


Figure 51. License Agreement

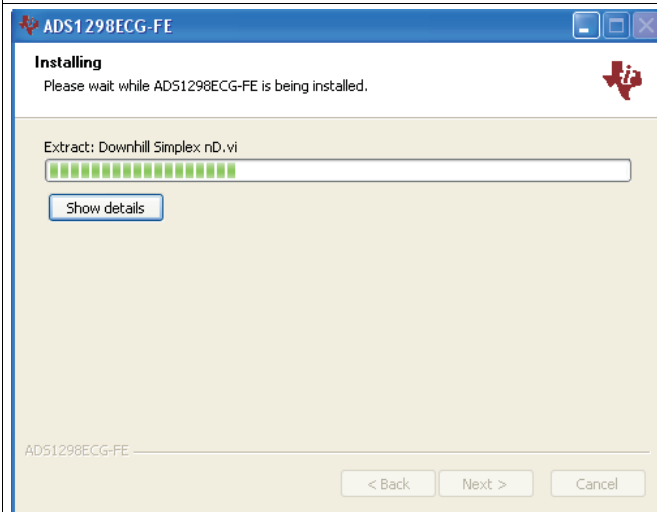


Figure 52. Installation Process

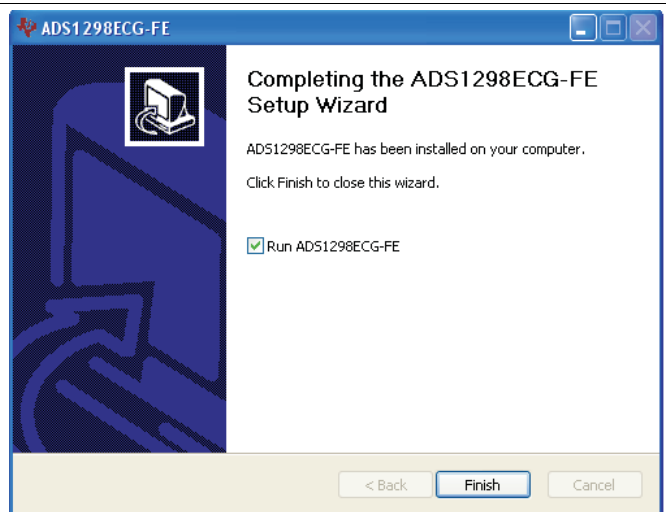
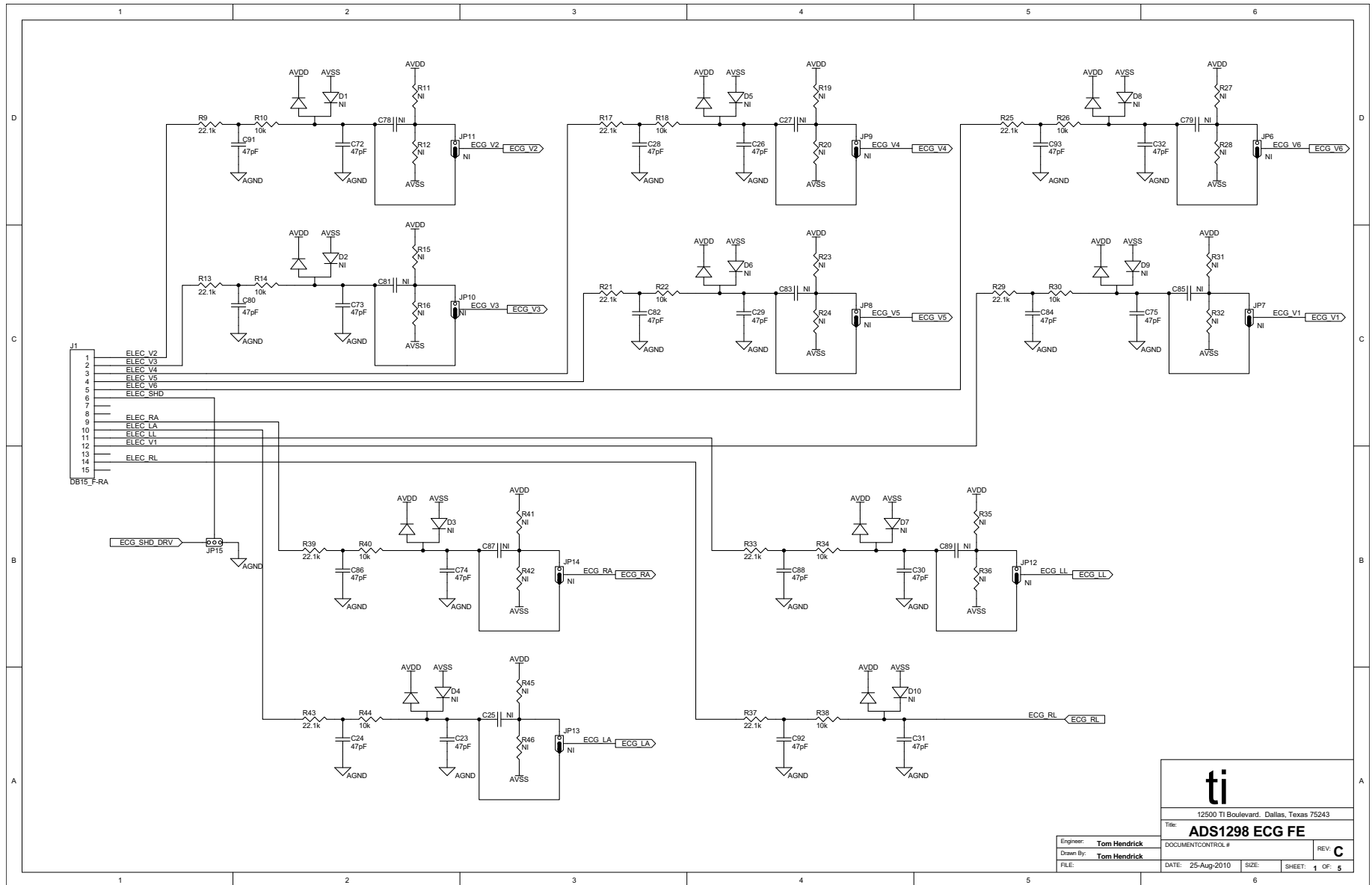
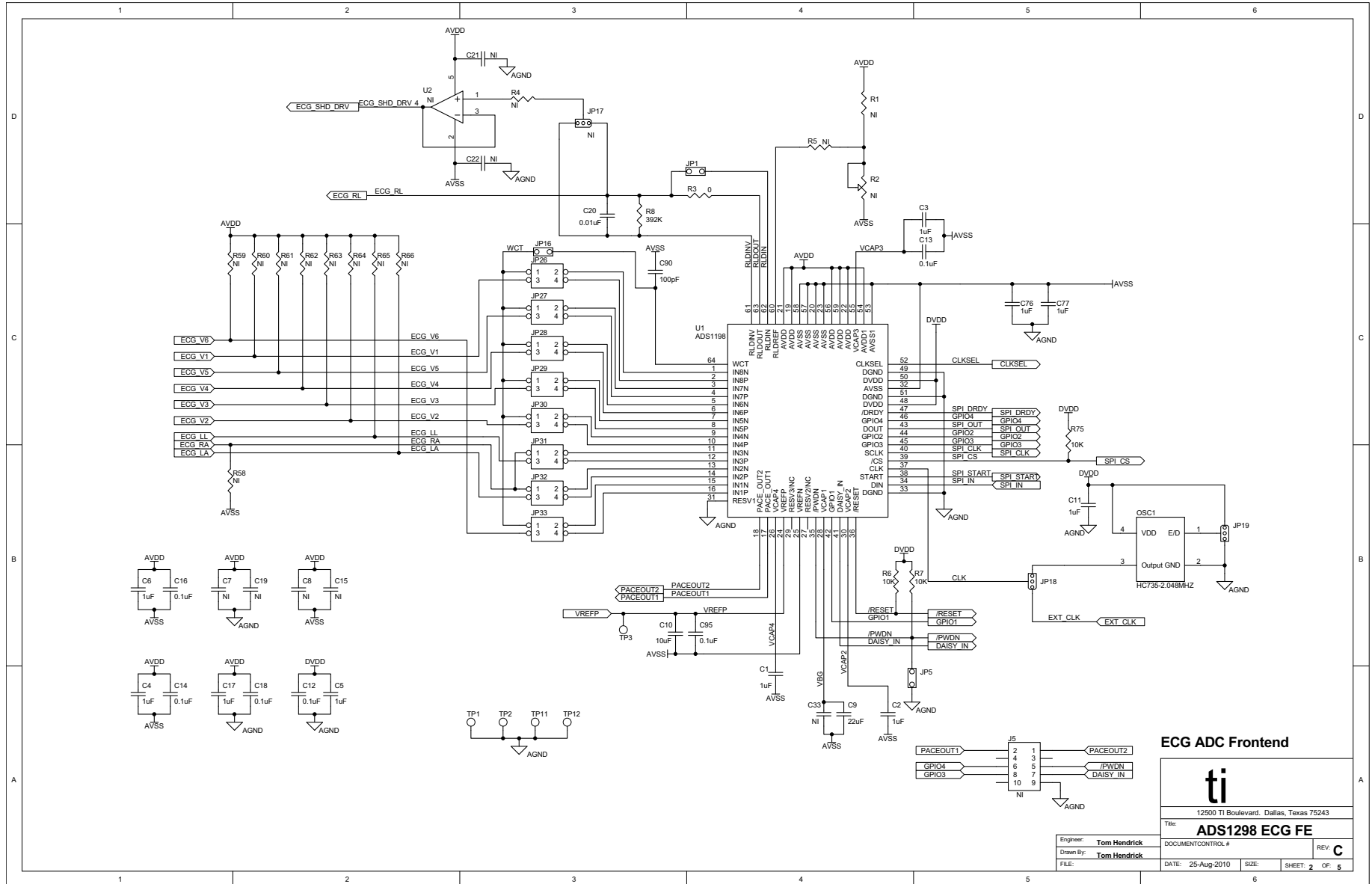
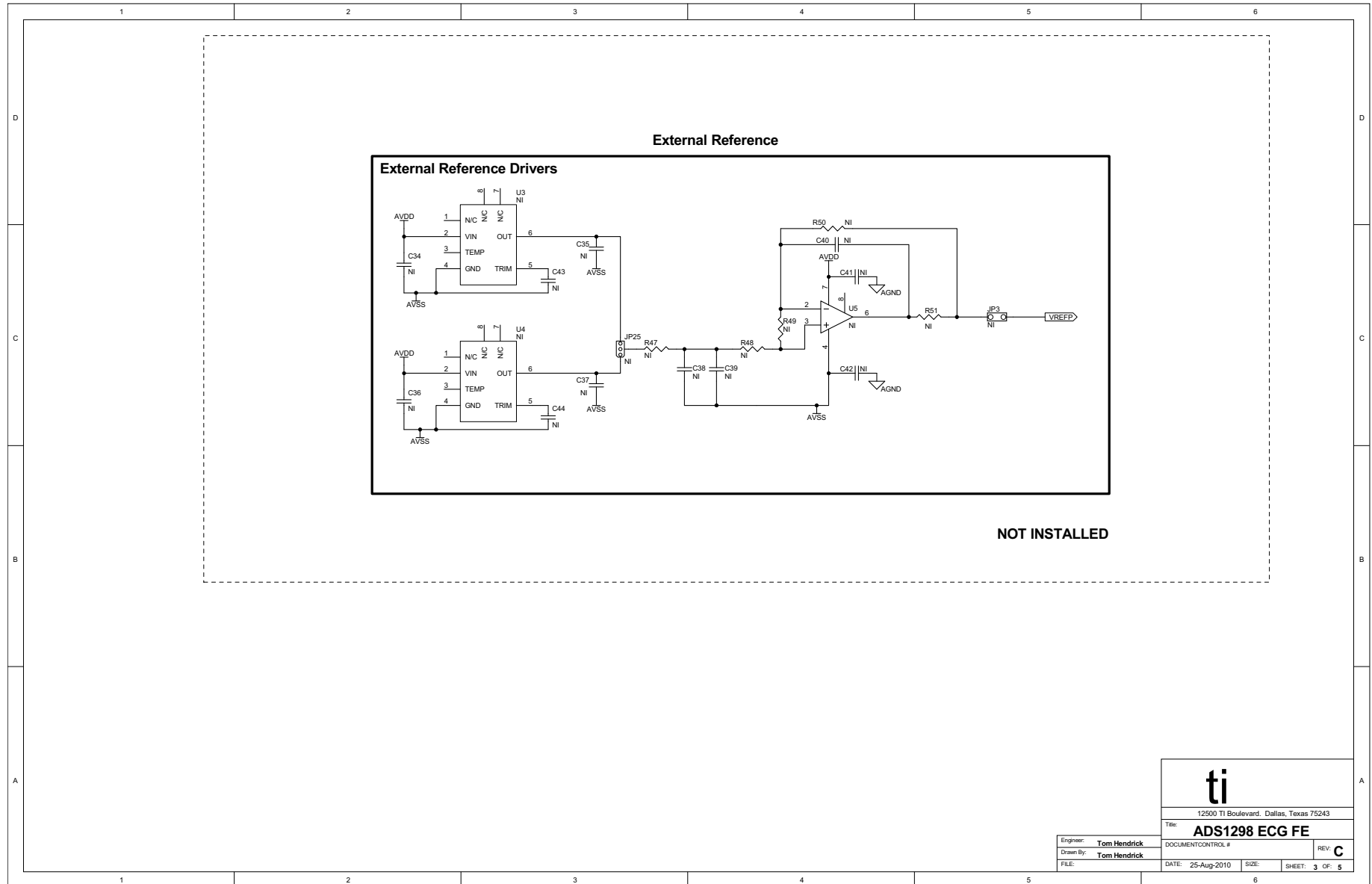


Figure 53. Completion of ADS1x98ECG-FE Software Installation

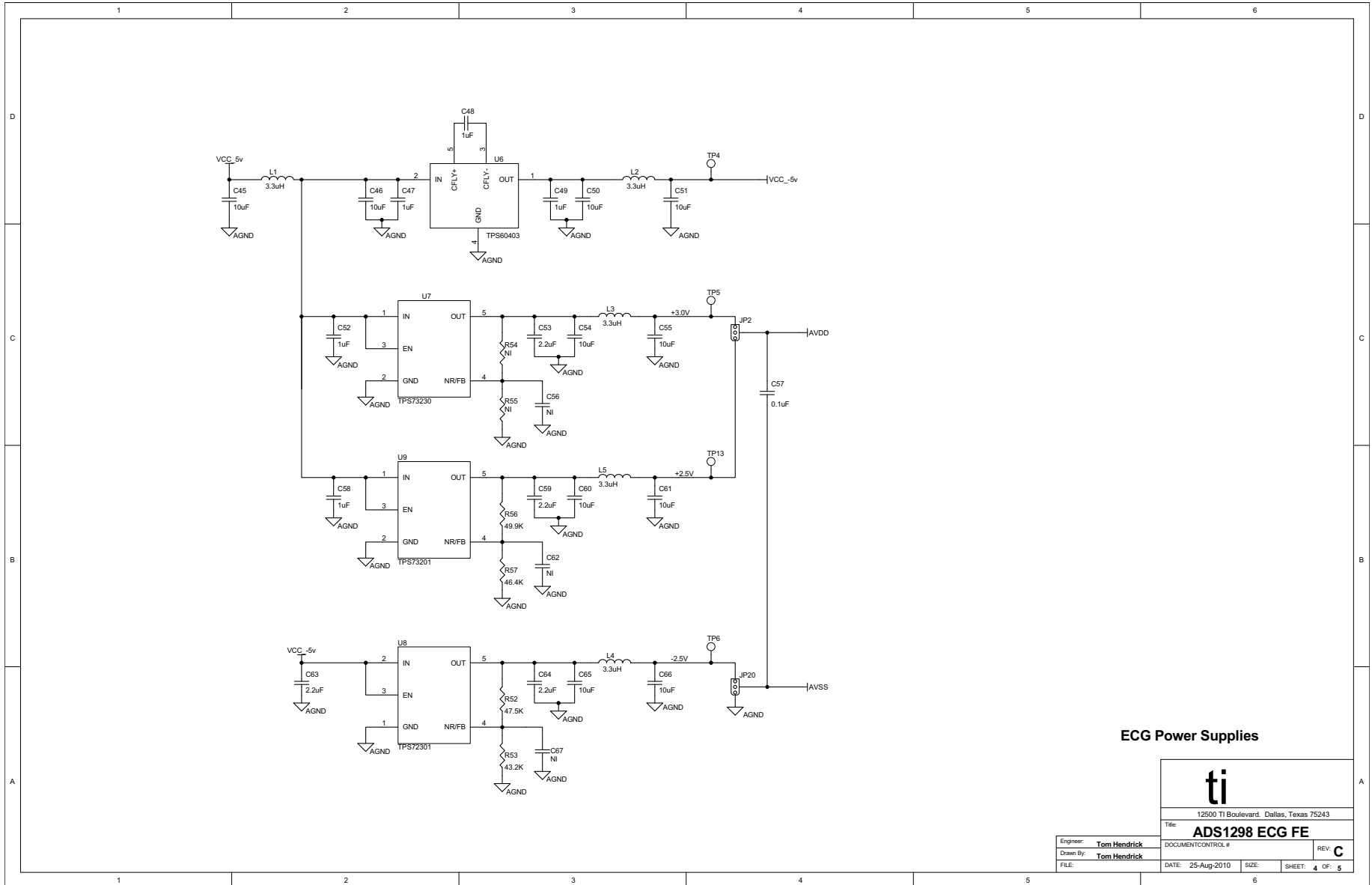


ti		
12500 TI Boulevard, Dallas, Texas 75243		
ADS1298 ECG FE		
Engineer: Tom Hendrick	DOCUMENT CONTROL #	REV: C
Drawn By: Tom Hendrick	DATE: 25-Aug-2010	SIZE: SHEET: 1 OF 5





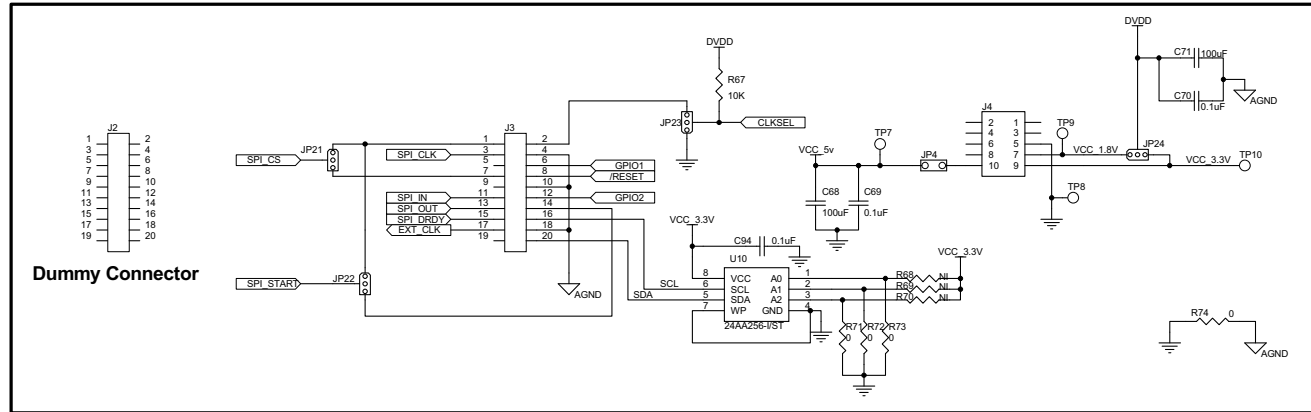
ti	
12500 TI Boulevard, Dallas, Texas 75243	
Title: ADS1298 ECG FE	
Engineer: Tom Hendrick	DOCUMENT CONTROL #
Drawn By: Tom Hendrick	REV: C
FILE:	DATE: 25-Aug-2010 SIZE: SHEET: 3 OF 5



ECG Power Supplies

ti	
12500 TI Boulevard, Dallas, Texas 75243	
Title: ADS1298 ECG FE	
Engineer: Tom Hendrick	DOCUMENT CONTROL #
Drawn By: Tom Hendrick	REV: C
FILE:	DATE: 25-Aug-2010 SIZE: SHEET: 4 OF 5

MDK Interface Connectors



NOTE: J2, J3, J4 female connectors should be populated from the bottom side !

ECG MDK Board Interface Adapter

ti			
12500 TI Boulevard, Dallas, Texas 75243			
Title: ADS1298 ECG FE			
Engineer: Tom Hendrick	DOCUMENT CONTROL #	REV C	
Drawn By: Tom Hendrick	DATE: 25-Aug-2010	SIZE:	SHEET: 5 OF 5
FILE:			

IMPORTANT NOTICE AND DISCLAIMER

TI PROVIDES TECHNICAL AND RELIABILITY DATA (INCLUDING DATASHEETS), DESIGN RESOURCES (INCLUDING REFERENCE DESIGNS), APPLICATION OR OTHER DESIGN ADVICE, WEB TOOLS, SAFETY INFORMATION, AND OTHER RESOURCES "AS IS" AND WITH ALL FAULTS, AND DISCLAIMS ALL WARRANTIES, EXPRESS AND IMPLIED, INCLUDING WITHOUT LIMITATION ANY IMPLIED WARRANTIES OF MERCHANTABILITY, FITNESS FOR A PARTICULAR PURPOSE OR NON-INFRINGEMENT OF THIRD PARTY INTELLECTUAL PROPERTY RIGHTS.

These resources are intended for skilled developers designing with TI products. You are solely responsible for (1) selecting the appropriate TI products for your application, (2) designing, validating and testing your application, and (3) ensuring your application meets applicable standards, and any other safety, security, regulatory or other requirements.

These resources are subject to change without notice. TI grants you permission to use these resources only for development of an application that uses the TI products described in the resource. Other reproduction and display of these resources is prohibited. No license is granted to any other TI intellectual property right or to any third party intellectual property right. TI disclaims responsibility for, and you fully indemnify TI and its representatives against any claims, damages, costs, losses, and liabilities arising out of your use of these resources.

TI's products are provided subject to [TI's Terms of Sale](#), [TI's General Quality Guidelines](#), or other applicable terms available either on ti.com or provided in conjunction with such TI products. TI's provision of these resources does not expand or otherwise alter TI's applicable warranties or warranty disclaimers for TI products. Unless TI explicitly designates a product as custom or customer-specified, TI products are standard, catalog, general purpose devices.

TI objects to and rejects any additional or different terms you may propose.

Copyright © 2026, Texas Instruments Incorporated

Last updated 10/2025