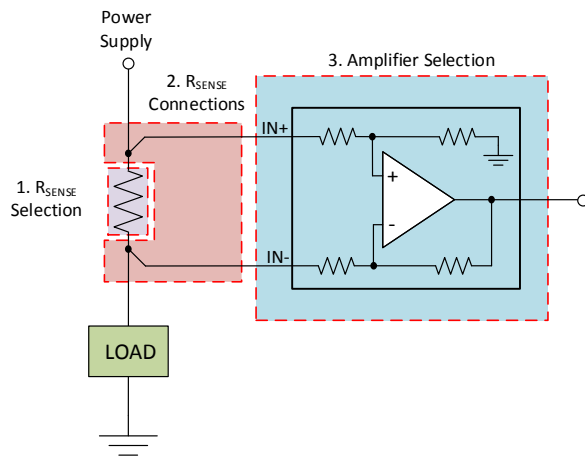


# Integrated-Resistor Current Sensors Simplify PCB Design

Dennis Hudgins, Current Sensing Products



The most common method to measure current is to sense the voltage drop across a shunt or current sense resistor. To achieve a highly accurate measurement of the current, parametric values of both the resistor and current sense amplifier need to be examined. Also proper layout of the connections between the current sense resistor and current sense amplifier are critical to avoid a reduction in accuracy. The typical schematic of a current sense amplifier with connections for both high-side current sensing with the design critical areas shaded is shown in [Figure 1](#).

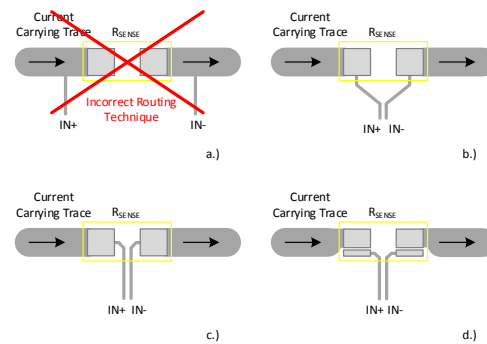


**Figure 1. High-Side Current Sensing with Shaded Error Sources**

One of the most important design decisions to make when using a current sense amplifier is the selection of the current sense or shunt resistor. The first design decision made is usually selection of the resistor value and wattage. The value of the resistor is usually based on achieving a desired maximum differential voltage at the highest expected current. The value of the resistor may also be selected based on a power loss budget for the resistor. Once the value and wattage of the current sense resistor is determined the second parameter to consider is the resistor tolerance since this will directly impact the accuracy of the sensed voltage and current measurement. However, a more subtle parameter that is often overlooked is the resistor temperature coefficient. The temperature coefficient is often specified in PPM/°C and is

important since the temperature of the resistor will rise due to the power dissipated as current flows through the component. Often lower cost resistors will specify a tolerance less than 1%, but will suffer in the real application due to the resistor temperature drift.

Once the resistor is selected, attention needs to be paid to the resistor PCB layout in order to achieve accurate measurement results. To achieve accurate current measurements there must be 4 connections to the current sense resistor. Two connections should handle the current flow, while the other two sense the voltage drop across the resistor. [Figure 2](#) shows various methods that can be used to monitor the current flow through a resistor.

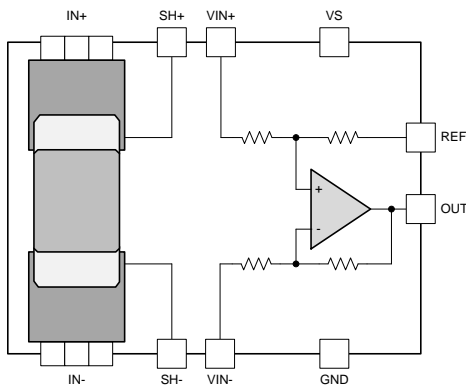


**Figure 2. Current Sense Resistor Layout Techniques**

One of the most common mistakes in laying out the current sense resistor is connecting the current sense amplifier inputs to the current carrying trace instead of directly to the current sense resistor as shown in [Figure 2a](#). Other valid methods to layout the connections to the current sense resistor is shown in [Figure 2b-d](#). The layout shown in [Figure 2d](#) features independent four-wire (Kelvin) connections to the current sense resistor. This technique is most commonly used when the value of the shunt resistor is below 0.5 mΩ and the solder resistance in series with resistor connections appreciably add to the overall shunt resistance. It is difficult to know which layout technique will yield the best results on the final PCB design since the resistance accuracy depends greatly on the measurement location used when the resistor was manufactured. If the resistor value was measured on the inside of the pads, then the layout shown in [Figure 2c](#) would provide the best measurement result. If the resistor value was measured at the side, then the layout shown in [Figure 2b](#) would provide the

highest accuracy. The difficulty with selecting the best layout is that many resistor datasheets do not provide a layout recommendation for best current sensing accuracy or do not mention the measurement point used in the manufacturing process.

The difficulties concerning resistor selection and PCB layout are simplified when using a current sense amplifier with an integrated current sense resistor. Both the [INA250](#) and [INA260](#) devices feature a current sense resistor that is integrated inside the same package as the current sense amplifier. Connections to the current sense resistor are optimized to achieve best measurement accuracy and temperature stability. The [INA250](#) is an analog output current sense amplifier, while the [INA260](#) is a digital output current sensor that reports the current, power, and bus voltage through an I<sup>2</sup>C/SMBUS interface. A block diagram of the [INA250](#) along with the resistor connections is shown in [Figure 3](#). The [INA250](#) provides external sense connections that allow for filtering of the shunt voltage or direct connections to the current sense amplifier. The connections to the shunt resistor are fixed internally therefore reducing the PCB layout difficulty. The gain of the amplifier is optimized for each resistor so the total system gain error is comparable to a using a 0.1% or better current sense resistor. The integrated shunt technology used in the [INA250](#) and [INA260](#) can support operating currents as high as 15A.



**Figure 3. INA250 Block Diagram with internal resistor connections**

Because the [INA250](#) and [INA260](#) accuracy specifications incorporate the resistor, component selection is simplified. The [INA250](#) has a maximum total system gain error 0.3% at room temperature and 0.75% over the temperature range of -40°C to 125°C. Accuracy calculations with devices that do not have the integrated shunt resistor have to factor in the device gain error, gain error drift, resistor tolerance and resistor drift to get the overall system gain error; therefore, it can be difficult to pick components to meet an overall system accuracy specification. The [INA260](#) is a digital current output device that features maximum total room temperature gain error of 0.15%.

This total gain error already includes the variation of the integrated resistor and the gain error of the current sense amplifier. The connections to the current sense resistor are done internally to the package and calibrated for each device to remove variations due to the resistor connection points.

In designs where precision measurements of the current are required, integrated shunt products can provide higher accuracy and allow a lower cost total solution. To achieve similar accuracy to the [INA260](#) would require a current sense amplifier with an gain error of less than 0.1% and a low-drift resistor with initial tolerance of less than 0.05%. In general, high wattage resistors with accuracy less than 0.1% are costly and can be as high as several dollars in 1000 unit volumes.

Another advantage of the integrated resistor in the [INA260](#) is that the resistor value is already calibrated and set internally so returned values for current are easy converted to amperes. Other digital solutions require programming the value of the current sense resistor, either internally or in the host processor so the returned current readings are scaled appropriately.

The integrated shunt technology used in the [INA250](#) and [INA260](#) allows for precision current measurements, reduced layout complexity, better understanding of the total system error, and can be lower cost than solutions with equivalent accuracy. In applications that require precision but need to support currents higher than 15A, multiple [INA250](#) devices can be paralleled in a daisy-chain configuration as shown in the product datasheet, or multiple [INA260](#) devices could be used provided the host processor can sum the reported current readings. If paralleling multiple devices to monitor currents higher than 15A is not practical due to the solution size, [Table 1](#) provides a list of devices that can be used to monitor higher currents using external shunt resistors.

**Table 1. Alternative Device Recommendations**

Device	Optimized Parameters	Performance Trade-Off
<a href="#">INA226</a>	Digital Output with I2C interface, 0.1% gain error, 10µV offset	Shunt resistor is external
<a href="#">INA233</a>	Digital Output with PMBus/I2C interface, 0.1% gain error, 10µV offset	Shunt resistor is external
<a href="#">INA210C</a>	Analog Output, 0.5% gain error, 35µV offset	Shunt resistor is external

**Table 2. Adjacent TechNotes**

<a href="#">SBOA170</a>	Integrating the Current Sensing Resistor
<a href="#">SBOA167</a>	Integrating the Current Sensing Signal Path
<a href="#">SBOA160</a>	Precision, Low-Side Measurement

## IMPORTANT NOTICE FOR TI DESIGN INFORMATION AND RESOURCES

Texas Instruments Incorporated ("TI") technical, application or other design advice, services or information, including, but not limited to, reference designs and materials relating to evaluation modules, (collectively, "TI Resources") are intended to assist designers who are developing applications that incorporate TI products; by downloading, accessing or using any particular TI Resource in any way, you (individually or, if you are acting on behalf of a company, your company) agree to use it solely for this purpose and subject to the terms of this Notice.

TI's provision of TI Resources does not expand or otherwise alter TI's applicable published warranties or warranty disclaimers for TI products, and no additional obligations or liabilities arise from TI providing such TI Resources. TI reserves the right to make corrections, enhancements, improvements and other changes to its TI Resources.

You understand and agree that you remain responsible for using your independent analysis, evaluation and judgment in designing your applications and that you have full and exclusive responsibility to assure the safety of your applications and compliance of your applications (and of all TI products used in or for your applications) with all applicable regulations, laws and other applicable requirements. You represent that, with respect to your applications, you have all the necessary expertise to create and implement safeguards that (1) anticipate dangerous consequences of failures, (2) monitor failures and their consequences, and (3) lessen the likelihood of failures that might cause harm and take appropriate actions. You agree that prior to using or distributing any applications that include TI products, you will thoroughly test such applications and the functionality of such TI products as used in such applications. TI has not conducted any testing other than that specifically described in the published documentation for a particular TI Resource.

You are authorized to use, copy and modify any individual TI Resource only in connection with the development of applications that include the TI product(s) identified in such TI Resource. NO OTHER LICENSE, EXPRESS OR IMPLIED, BY ESTOPPEL OR OTHERWISE TO ANY OTHER TI INTELLECTUAL PROPERTY RIGHT, AND NO LICENSE TO ANY TECHNOLOGY OR INTELLECTUAL PROPERTY RIGHT OF TI OR ANY THIRD PARTY IS GRANTED HEREIN, including but not limited to any patent right, copyright, mask work right, or other intellectual property right relating to any combination, machine, or process in which TI products or services are used. Information regarding or referencing third-party products or services does not constitute a license to use such products or services, or a warranty or endorsement thereof. Use of TI Resources may require a license from a third party under the patents or other intellectual property of the third party, or a license from TI under the patents or other intellectual property of TI.

TI RESOURCES ARE PROVIDED "AS IS" AND WITH ALL FAULTS. TI DISCLAIMS ALL OTHER WARRANTIES OR REPRESENTATIONS, EXPRESS OR IMPLIED, REGARDING TI RESOURCES OR USE THEREOF, INCLUDING BUT NOT LIMITED TO ACCURACY OR COMPLETENESS, TITLE, ANY EPIDEMIC FAILURE WARRANTY AND ANY IMPLIED WARRANTIES OF MERCHANTABILITY, FITNESS FOR A PARTICULAR PURPOSE, AND NON-INFRINGEMENT OF ANY THIRD PARTY INTELLECTUAL PROPERTY RIGHTS.

TI SHALL NOT BE LIABLE FOR AND SHALL NOT DEFEND OR INDEMNIFY YOU AGAINST ANY CLAIM, INCLUDING BUT NOT LIMITED TO ANY INFRINGEMENT CLAIM THAT RELATES TO OR IS BASED ON ANY COMBINATION OF PRODUCTS EVEN IF DESCRIBED IN TI RESOURCES OR OTHERWISE. IN NO EVENT SHALL TI BE LIABLE FOR ANY ACTUAL, DIRECT, SPECIAL, COLLATERAL, INDIRECT, PUNITIVE, INCIDENTAL, CONSEQUENTIAL OR EXEMPLARY DAMAGES IN CONNECTION WITH OR ARISING OUT OF TI RESOURCES OR USE THEREOF, AND REGARDLESS OF WHETHER TI HAS BEEN ADVISED OF THE POSSIBILITY OF SUCH DAMAGES.

You agree to fully indemnify TI and its representatives against any damages, costs, losses, and/or liabilities arising out of your non-compliance with the terms and provisions of this Notice.

This Notice applies to TI Resources. Additional terms apply to the use and purchase of certain types of materials, TI products and services. These include; without limitation, TI's standard terms for semiconductor products (<http://www.ti.com/sc/docs/stdterms.htm>), [evaluation modules](#), and [samples](http://www.ti.com/sc/docs/sampterm.htm) (<http://www.ti.com/sc/docs/sampterm.htm>).

Mailing Address: Texas Instruments, Post Office Box 655303, Dallas, Texas 75265  
Copyright © 2017, Texas Instruments Incorporated