

# Single-Supply Diff-In to Diff-Out AC Amplifier Circuit



Caelan (Zak) Kaye

## Design Goals

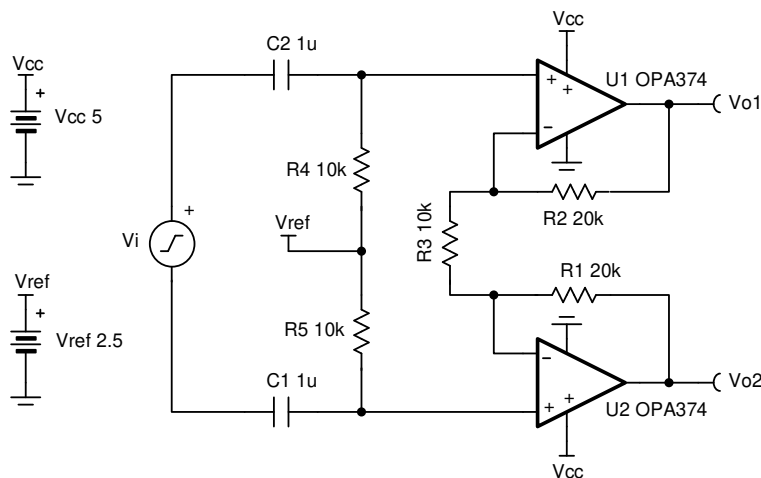
Diff. Input $V_i$		Diff. Output ( $V_{o1} - V_{o2}$ )		Supply		
$V_{iMin}$	$V_{iMax}$	$V_{oMin}$	$V_{oMax}$	$V_{cc}$	$V_{ee}$	$V_{ref}$
-500mV	+500mV	-2.5V	+2.5V	+5	0V	+2.5V

Lower Cutoff Freq.	Upper Cutoff Freq.
16Hz	> 1MHz

## Design Description

This circuit uses two op amps to build a discrete, single-supply diff-in diff-out amplifier. The circuit converts a differential signal to a differential output signal.



## Design Notes

1. Verify that  $R_1$  and  $R_2$  are well matched with high accuracy resistors to maintain high DC common-mode rejection performance.
2. Increase  $R_4$  and  $R_5$  to match the necessary input impedance at the expense of thermal noise performance.
3. Bias for single-supply operation can also be created by a voltage divider from  $V_{cc}$  to ground.
4.  $V_{ref}$  sets the output voltage of the instrumentation amplifier bias at mid-supply to allow the output to swing to both supply rails.
5. Choose  $C_1$  and  $C_2$  to select the lower cutoff frequency.
6. Linear operation is contingent upon the input common-mode and the output swing ranges of the discrete op amps used. The linear output swing ranges are specified under the Aol test conditions in the op amps data sheets

## Design Steps

- The transfer function of the circuit is shown below.

$$V_{oDiff} = V_i \times G + V_{ref}$$

where  $V_i$  = the differential input voltage

$V_{ref}$  = the reference voltage provided to the amplifier

$$G = 1 + 2 \times \left( \frac{R_1}{R_3} \right)$$

- Choose resistors  $R_1 = R_2$  to maintain common-mode rejection performance.

Choose  $R_1 = R_2 = 20 \text{ k}\Omega$  (Standard value)

- Choose resistors  $R_4$  and  $R_5$  to meet the desired input impedance.

Choose  $R_4 = R_5 = 10 \text{ k}\Omega$  (Standard value)

- Calculate  $R_3$  to set the differential gain.

$$\text{Gain} = 1 + \left( \frac{2 \times R_1}{R_3} \right) = 5 \frac{V}{V}$$

$$R_1 = R_2 = 20 \text{ k}\Omega$$

$$G = 1 + \frac{2 \times 20 \text{ k}\Omega}{R_3} = 5 \frac{V}{V} \rightarrow 5 \frac{V}{V} - 1 = \frac{40 \text{ k}\Omega}{R_3} = 4 \rightarrow R_3 = \frac{40 \text{ k}\Omega}{4} = 10 \text{ k}\Omega \quad (\text{Standard value})$$

- Set the reference voltage  $V_{ref}$  at mid-supply.

$$V_{ref} = \frac{V_{cc}}{2} = \frac{5 \text{ V}}{2} \rightarrow V_{ref} = 2.5 \text{ V}$$

- Calculate  $C_1$  and  $C_2$  to set the lower cutoff frequency.

$$f_c = \frac{1}{2 \times \pi \times R_4 \times C_1} = 16 \text{ Hz}$$

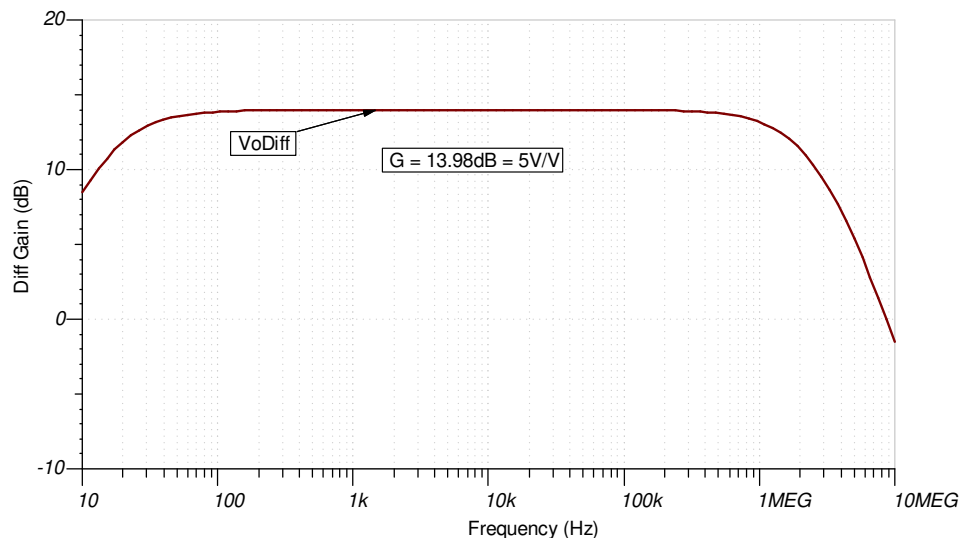
$$R_4 = R_5 = 10 \text{ k}\Omega$$

$$f_c = \frac{1}{2 \times \pi \times 10 \text{ k}\Omega \times C_1} = 16 \text{ Hz} \rightarrow C_1 = \frac{1}{2 \times \pi \times 10 \text{ k}\Omega \times 16 \text{ Hz}} = 0.99 \mu\text{F} \rightarrow C_1 = C_2 = 1 \mu\text{F} \quad (\text{Standard value})$$

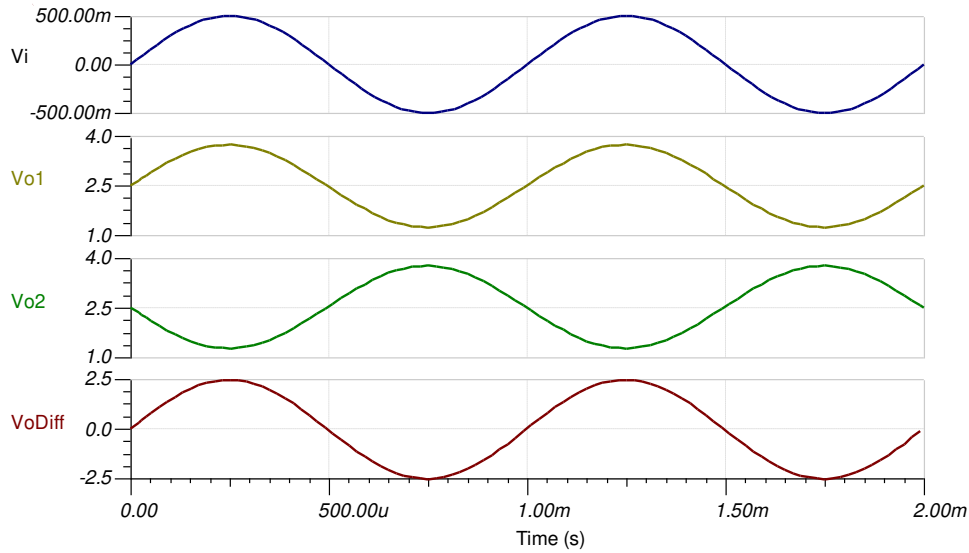
## Design Simulations

### AC Simulation Results

In the following figure, notice the lower  $-3\text{-dB}$  cutoff frequency is approximately 16Hz and the upper cutoff frequency is  $> 1\text{MHz}$  as required for this design.



### Transient Simulation Results



### References

Texas Instruments, [SBOMAU5 SPICE Simulation](#), file download

### Design Featured Op Amp

OPA374	
$V_{SS}$	2.3V to 5.5V
$V_{inCM}$	Rail-to-rail
$V_{out}$	Rail-to-rail
$V_{os}$	1mV
$I_q$	585 $\mu$ A/Ch
$I_b$	0.5pA
UGBW	6.5MHz
SR	5V/ $\mu$ s
#Channels	1,2,4
<a href="#">OPA374</a>	

### Design Alternate Op Amp

TLV9061	
$V_{SS}$	1.8V to 5.5V
$V_{inCM}$	Rail-to-rail
$V_{out}$	Rail-to-rail
$V_{os}$	0.3mV
$I_q$	0.538mA
$I_b$	0.5pA
UGBW	10MHz
SR	6.5V/ $\mu$ s
#Channels	1,2,4
<a href="#">TLV9061</a>	

### Trademarks

All trademarks are the property of their respective owners.

## IMPORTANT NOTICE AND DISCLAIMER

TI PROVIDES TECHNICAL AND RELIABILITY DATA (INCLUDING DATA SHEETS), DESIGN RESOURCES (INCLUDING REFERENCE DESIGNS), APPLICATION OR OTHER DESIGN ADVICE, WEB TOOLS, SAFETY INFORMATION, AND OTHER RESOURCES "AS IS" AND WITH ALL FAULTS, AND DISCLAIMS ALL WARRANTIES, EXPRESS AND IMPLIED, INCLUDING WITHOUT LIMITATION ANY IMPLIED WARRANTIES OF MERCHANTABILITY, FITNESS FOR A PARTICULAR PURPOSE OR NON-INFRINGEMENT OF THIRD PARTY INTELLECTUAL PROPERTY RIGHTS.

These resources are intended for skilled developers designing with TI products. You are solely responsible for (1) selecting the appropriate TI products for your application, (2) designing, validating and testing your application, and (3) ensuring your application meets applicable standards, and any other safety, security, regulatory or other requirements.

These resources are subject to change without notice. TI grants you permission to use these resources only for development of an application that uses the TI products described in the resource. Other reproduction and display of these resources is prohibited. No license is granted to any other TI intellectual property right or to any third party intellectual property right. TI disclaims responsibility for, and you will fully indemnify TI and its representatives against, any claims, damages, costs, losses, and liabilities arising out of your use of these resources.

TI's products are provided subject to [TI's Terms of Sale](#) or other applicable terms available either on [ti.com](https://www.ti.com) or provided in conjunction with such TI products. TI's provision of these resources does not expand or otherwise alter TI's applicable warranties or warranty disclaimers for TI products.

TI objects to and rejects any additional or different terms you may have proposed.

Mailing Address: Texas Instruments, Post Office Box 655303, Dallas, Texas 75265  
Copyright © 2024, Texas Instruments Incorporated