

Clocking Recommendations for DM6446 Digital Video EVM With Single PLL

Firoj Kabir

High Speed - Clock Drivers

ABSTRACT

The DM6446 (DaVinci™) Digital Video Evaluation Module (EVM) requires a number of clock frequencies to run the system properly. The current clocking proposal of this EVM consists of a VCXO chip PI6CX100-27W, a PLL chip PLL1705, several voltage level translators, and a few oscillators or crystals. This application report discusses an optimized clocking proposal with Texas Instruments new clock drivers and recommends a more integrated, high-performance, and cost-saving proposal with a minimum number of ICs.

Contents

1	Introduction	1
2	Conclusion	4
3	References	4

List of Figures

1	Generating Synchronized Video and Audio Clocks (Current Clocking Proposal With Several ICs)	2
2	Single-Chip Solution to Generate Synchronized Audio and Video Clock Frequencies ...	3
3	Two-Chip Solution to Generate all Frequencies for this System	4

1 Introduction

The system requires a frequency adjustment capability to synchronize the audio and video clock. The zero-ppm accuracy for video and audio clocks is required. The phase-locked loop (PLL) is also required to generate the audio clock or clocks from the 27-MHz adjusted clock frequency. The 27-MHz adjusted clock is dedicated as a video clock.

Besides the video and audio clocks, either a crystal or an oscillator generates one 27-MHz clock signal for CPLD timer, one 27-MHz signal for system oscillation, one 24-MHz signal for USB, and one 25-MHz Ethernet clock signal.

1.1 Video and Audio Clocks Generation

The current clocking solution in the reference design guide is a multichip-based proposal. The modulated 1.8-V signal (PWM) is converted into a 3.3-V signal, and then this signal is converted into analog control voltage (using an RC filter) before providing the signal to the control input of the VCXO. The VCXO chip PI6CX100-27W receives a PWM signal and adjusts the 27-MHz crystal frequency for the required synchronization.

The PLL chip PLL1705 generates 3.3-V video clock (27 MHz) and audio clock for stereo codec TLV320AIC33 from the 27-MHz synchronized signal.

The voltage level translators (SN74AUC1G125) are used to translate 3.3-V to 1.8-V signals for video and audio clocks.

DaVinci is a trademark of Texas Instruments.

Introduction

The PLL1705 multiclock generator can generate audio clock frequencies such as 8.192 MHz, 11.2896 MHz, 12.288 MHz, 16.384 MHz, 16.9344 MHz, 18.432 MHz, 22.5792 MHz, 24.576 MHz, 33.8688 MHz, and 36.864 MHz.

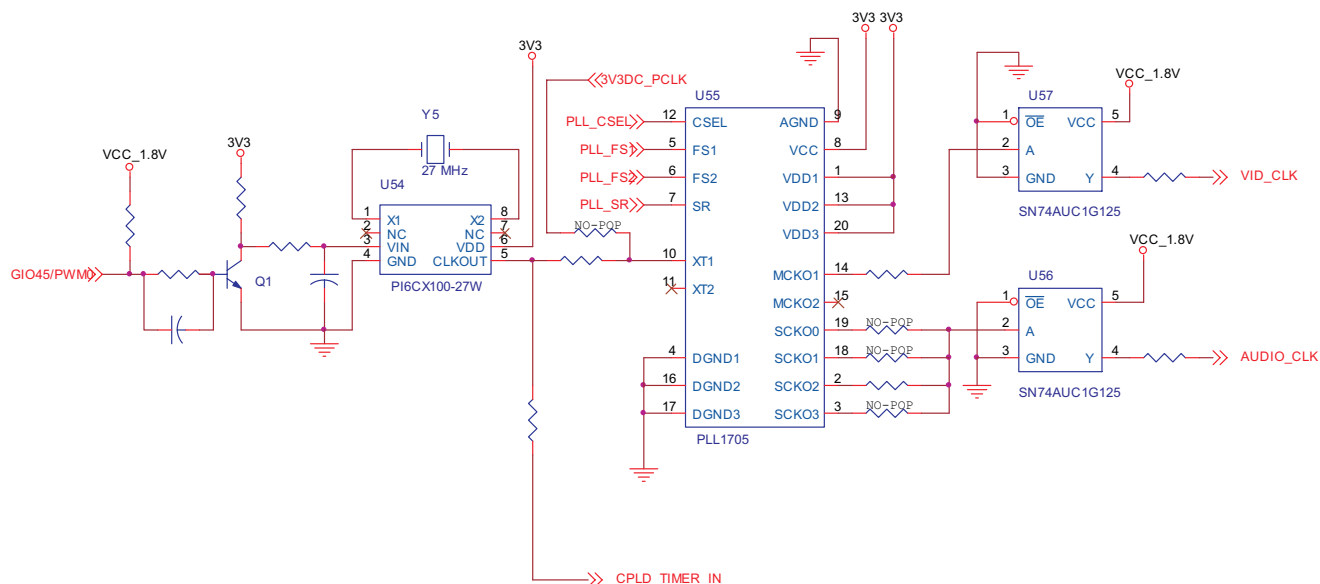


Figure 1. Generating Synchronized Video and Audio Clocks (Current Clocking Proposal With Several ICs)

1.2 Clock Proposal With CDCEL913

The CDCEL913 is a single-PLL-based and the CDCE925 is a two-PLL-based clock synthesizer with VCXO input. The CDCEL925 and the CDCEL913 will be released in the third quarter and fourth quarter of 2007, respectively. CDCE949 is a four-PLL-based device of the same family and is currently available for purchase.

1.3 Single-Chip Solution for Generating Audio and Video Clocks

A single chip is capable of generating the synchronized video and audio clocks for the system.

The CDCEL913 is a single-PLL-based VCXO clock. This PLL can be programmed via the I²C bus, and all audio frequencies can be generated with 0-ppm error. This device also supports nonvolatile EEPROM, and factory-preprogrammed devices (according to a customer's specification) will be offered to the customers. Using the control pins, one of the several preprogrammed audio frequencies can be selected at the output.

It has three outputs. Two of the outputs (Y1 and Y2) are PLL bypassed and generate a 27-MHz video clock. The Y3 output is from the PLL clock, and it generates an audio clock frequency.

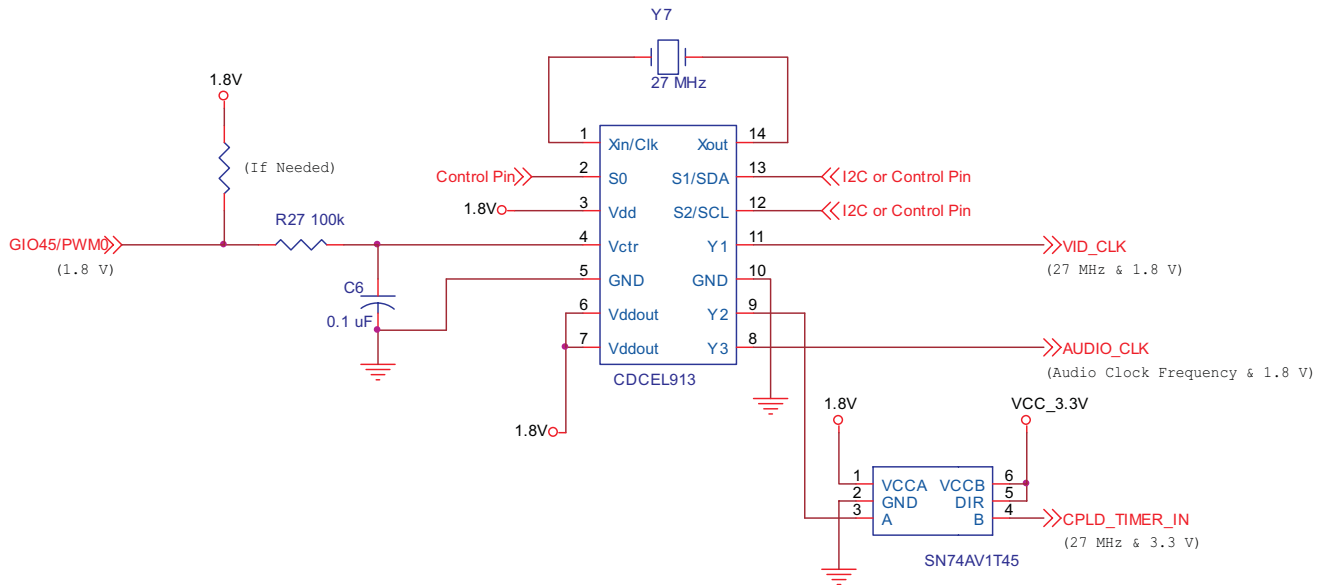


Figure 2. Single-Chip Solution to Generate Synchronized Audio and Video Clock Frequencies

The core supply voltage of the CDCE913 is 1.8 V. So, a 1.8-V modulation signal can be connected directly to the voltage control pin using the RC filter. This device can generate 1.8-V LVCMOS signal, so that any additional signal translators or buffers are unnecessary for audio and video clocks. Because the core supply voltage is low, it consumes low power compared to 3.3-V devices.

The CPLD_TIMER clock input requires a 3.3-V LVCMOS clock; therefore, an extra voltage level translator (SN74AV1T45) is needed to translate the 1.8-V signal to a 3.3-V signal.

1.4 Two-PLL-Based Clocks Solution to Generate All Required Frequencies

Because three other frequencies (27 MHz, 24 MHz, and 25 MHz) are required and these frequencies must not be synchronized like video and audio clocks, a second PLL CDCE925 can be used with a 27-MHz crystal to generate the rest of the clocks. The jitter performance of the clock driver is good and meets all jitter requirements of DSPs.

If the CPLD_TIMER clock does not need the adjusted clock (like audio and video clock), then one of the outputs of CDCE925 (Y3) can be used to generate a 27-MHz clock. Thus, the requirement for an extra voltage level translator is eliminated.

Conclusion

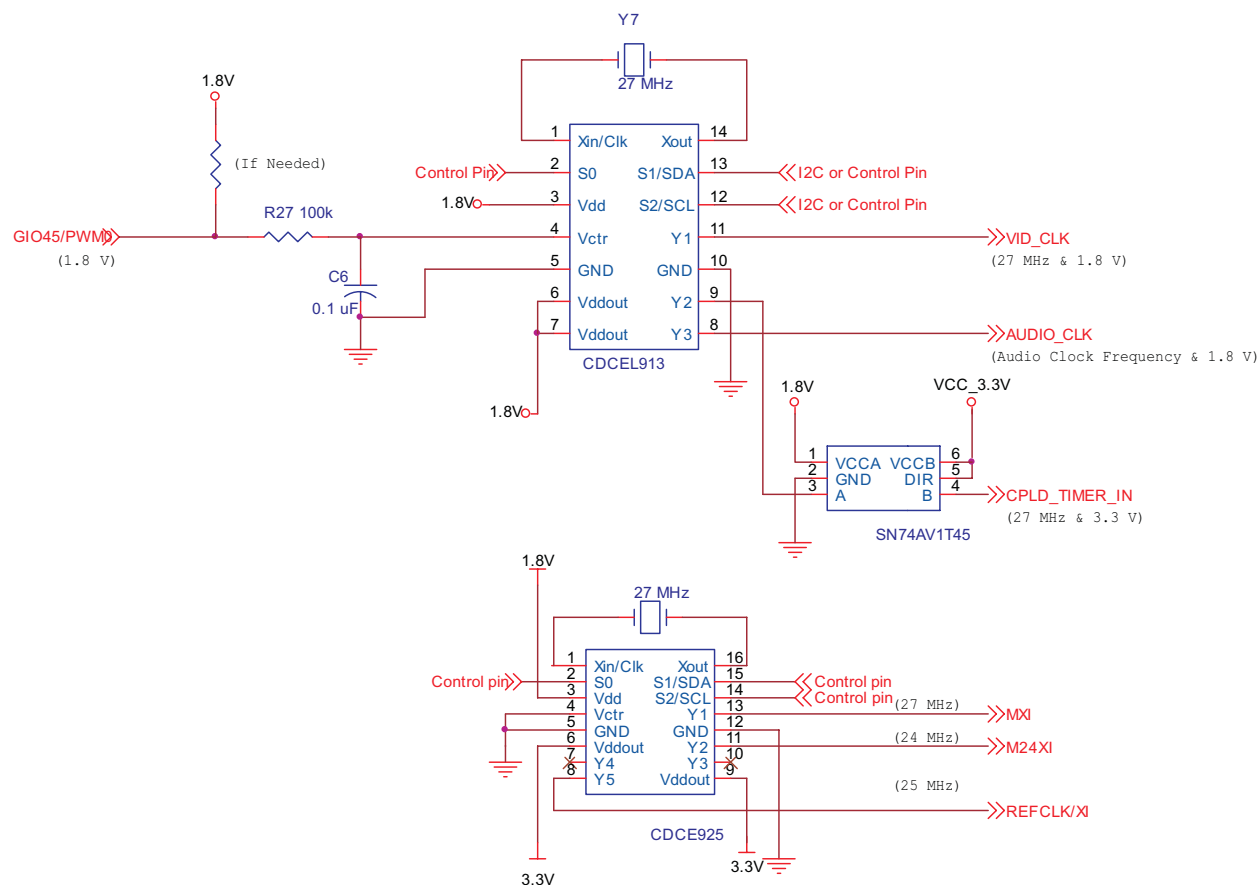


Figure 3. Two-Chip Solution to Generate all Frequencies for this System

Each of the clock outputs (both CDCE913 and CDCE925) can be enabled or disabled (to LOW or 3-state mode) by using the control pins.

2 Conclusion

The CDCE913 is offered in a 14-pin TSSOP package. This single, tiny 1.8-V device can replace the functionality of one VCXO chip, one PLL chip, and two voltage level translators to generate synchronized audio and video clocks. Either through a I²C bus or EEPROM, the required frequencies can be generated. This is a simple and cost-saving solution with guaranteed 0-ppm error.

3 References

1. DM6446 (DaVinci™ technology) EVM Information:
<http://c6000.spectrumdigital.com/davincievms/revd/>
2. CDCE913, CDCE913, Programmable 1-PLL VCXO Clock Synthesizer With 1.8-V, 2.5-V, and 3.3-V Outputs data sheet ([SCAS849](#))
3. CDCE925, CDCE925, Programmable 2-PLL VCXO Clock Synthesizer With 1.8-V, 2.5-V, and 3.3-V Outputs data sheet ([SCAS847](#))

IMPORTANT NOTICE

Texas Instruments Incorporated and its subsidiaries (TI) reserve the right to make corrections, modifications, enhancements, improvements, and other changes to its products and services at any time and to discontinue any product or service without notice. Customers should obtain the latest relevant information before placing orders and should verify that such information is current and complete. All products are sold subject to TI's terms and conditions of sale supplied at the time of order acknowledgment.

TI warrants performance of its hardware products to the specifications applicable at the time of sale in accordance with TI's standard warranty. Testing and other quality control techniques are used to the extent TI deems necessary to support this warranty. Except where mandated by government requirements, testing of all parameters of each product is not necessarily performed.

TI assumes no liability for applications assistance or customer product design. Customers are responsible for their products and applications using TI components. To minimize the risks associated with customer products and applications, customers should provide adequate design and operating safeguards.

TI does not warrant or represent that any license, either express or implied, is granted under any TI patent right, copyright, mask work right, or other TI intellectual property right relating to any combination, machine, or process in which TI products or services are used. Information published by TI regarding third-party products or services does not constitute a license from TI to use such products or services or a warranty or endorsement thereof. Use of such information may require a license from a third party under the patents or other intellectual property of the third party, or a license from TI under the patents or other intellectual property of TI.

Reproduction of TI information in TI data books or data sheets is permissible only if reproduction is without alteration and is accompanied by all associated warranties, conditions, limitations, and notices. Reproduction of this information with alteration is an unfair and deceptive business practice. TI is not responsible or liable for such altered documentation. Information of third parties may be subject to additional restrictions.

Resale of TI products or services with statements different from or beyond the parameters stated by TI for that product or service voids all express and any implied warranties for the associated TI product or service and is an unfair and deceptive business practice. TI is not responsible or liable for any such statements.

TI products are not authorized for use in safety-critical applications (such as life support) where a failure of the TI product would reasonably be expected to cause severe personal injury or death, unless officers of the parties have executed an agreement specifically governing such use. Buyers represent that they have all necessary expertise in the safety and regulatory ramifications of their applications, and acknowledge and agree that they are solely responsible for all legal, regulatory and safety-related requirements concerning their products and any use of TI products in such safety-critical applications, notwithstanding any applications-related information or support that may be provided by TI. Further, Buyers must fully indemnify TI and its representatives against any damages arising out of the use of TI products in such safety-critical applications.

TI products are neither designed nor intended for use in military/aerospace applications or environments unless the TI products are specifically designated by TI as military-grade or "enhanced plastic." Only products designated by TI as military-grade meet military specifications. Buyers acknowledge and agree that any such use of TI products which TI has not designated as military-grade is solely at the Buyer's risk, and that they are solely responsible for compliance with all legal and regulatory requirements in connection with such use.

TI products are neither designed nor intended for use in automotive applications or environments unless the specific TI products are designated by TI as compliant with ISO/TS 16949 requirements. Buyers acknowledge and agree that, if they use any non-designated products in automotive applications, TI will not be responsible for any failure to meet such requirements.

Following are URLs where you can obtain information on other Texas Instruments products and application solutions:

Products		Applications	
Amplifiers	amplifier.ti.com	Audio	www.ti.com/audio
Data Converters	dataconverter.ti.com	Automotive	www.ti.com/automotive
DSP	dsp.ti.com	Broadband	www.ti.com/broadband
Interface	interface.ti.com	Digital Control	www.ti.com/digitalcontrol
Logic	logic.ti.com	Military	www.ti.com/military
Power Mgmt	power.ti.com	Optical Networking	www.ti.com/opticalnetwork
Microcontrollers	microcontroller.ti.com	Security	www.ti.com/security
RFID	www.ti-rfid.com	Telephony	www.ti.com/telephony
Low Power Wireless	www.ti.com/lpw	Video & Imaging	www.ti.com/video
		Wireless	www.ti.com/wireless

Mailing Address: Texas Instruments, Post Office Box 655303, Dallas, Texas 75265
Copyright © 2007, Texas Instruments Incorporated