

TPS2HB50-Q1

Functional Safety FIT Rate, FMD and Pin FMA



Table of Contents

| | |
|--|---|
| 1 Overview..... | 2 |
| 2 Functional Safety Failure In Time (FIT) Rates..... | 3 |
| 3 Failure Mode Distribution (FMD)..... | 4 |
| 4 Pin Failure Mode Analysis (Pin FMA)..... | 5 |

Trademarks

All trademarks are the property of their respective owners.

1 Overview

This document contains information for TPS2HB50-Q1 (HTSSOP package) to aid in a functional safety system design. Information provided are:

- Functional Safety Failure In Time (FIT) rates of the semiconductor component estimated by the application of industry reliability standards
- Component failure modes and their distribution (FMD) based on the primary function of the device
- Pin failure mode analysis (Pin FMA)

Figure 1-1 shows the device functional block diagram for reference.

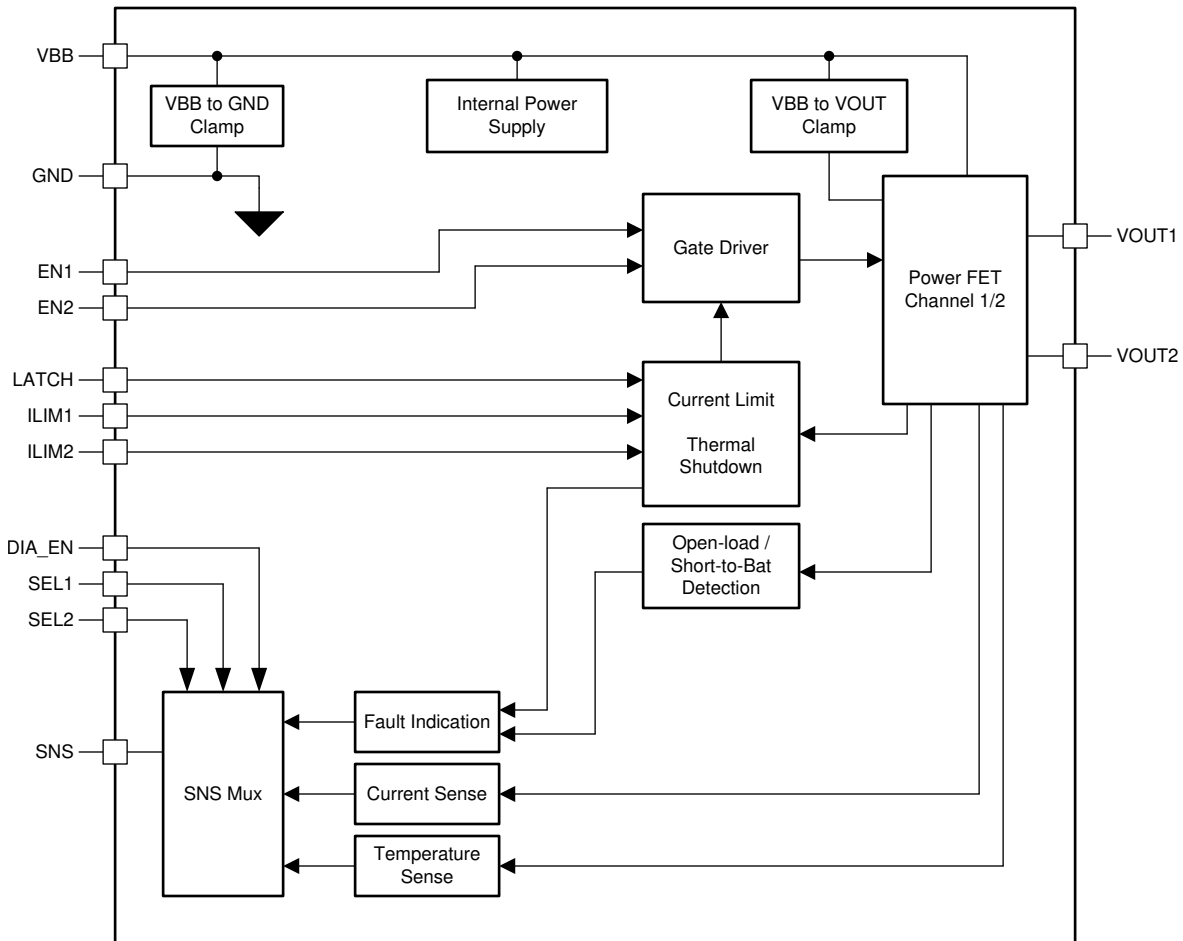


Figure 1-1. Functional Block Diagram

TPS2HB50-Q1 was developed using a quality-managed development process, but was not developed in accordance with the IEC 61508 or ISO 26262 standards.

2 Functional Safety Failure In Time (FIT) Rates

This section provides Functional Safety Failure In Time (FIT) rates for TPS2HB50-Q1 based on industry-wide used reliability standard:

- [Table 2-1](#) provides FIT rates based on IEC TR 62380 / ISO 26262 part 11

Table 2-1. Component Failure Rates per IEC TR 62380 / ISO 26262 Part 11

| FIT IEC TR 62380 / ISO 26262 | FIT (Failures Per 10 ⁹ Hours) |
|------------------------------|--|
| Total Component FIT Rate | 22 |
| Die FIT Rate | 12 |
| Package FIT Rate | 10 |

The failure rate and mission profile information in [Table 2-1](#) comes from the Reliability data handbook IEC TR 62380 / ISO 26262 part 11:

- Mission Profile: Motor Control from Table 11
- Power dissipation: 750 mW
- Climate type: World-wide Table 8 IEC TR 62380
- Package factor (lambda 3): Table 17b IEC TR 62380
- Substrate Material: FR4
- EOS FIT rate assumed: 0 FIT

3 Failure Mode Distribution (FMD)

The failure mode distribution estimation for TPS2HB50-Q1 in [Table 3-1](#) comes from the combination of common failure modes listed in standards such as IEC 61508 and ISO 26262, the ratio of sub-circuit function size and complexity and from best engineering judgment.

The failure modes listed in this section reflect random failure events and do not include failures due to misuse or overstress.

Table 3-1. Die Failure Modes and Distribution

| Die Failure Modes | Failure Mode Distribution (%) |
|---|-------------------------------|
| VOUT open (HiZ) | 20% |
| VOUT stuck on (VBB) | 10% |
| VOUT functional, not in specification voltage or timing | 45% |
| Diagnostics not in specification | 10% |
| Protect functions fails to trip | 10% |
| Pin to Pin short any two pins | 5% |

4 Pin Failure Mode Analysis (Pin FMA)

This section provides a Failure Mode Analysis (FMA) for the pins of the TPS2HB50-Q1. The failure modes covered in this document include the typical pin-by-pin failure scenarios:

- Pin short-circuited to Ground (see [Table 4-2](#))
- Pin open-circuited (see [Table 4-3](#))
- Pin short-circuited to an adjacent pin (see [Table 4-4](#))
- Pin short-circuited to supply (see [Table 4-5](#))

[Table 4-2](#) through [Table 4-5](#) also indicate how these pin conditions can affect the device as per the failure effects classification in [Table 4-1](#).

Table 4-1. TI Classification of Failure Effects

| Class | Failure Effects |
|-------|---|
| A | Potential device damage that affects functionality |
| B | No device damage, but loss of functionality |
| C | No device damage, but performance degradation |
| D | No device damage, no impact to functionality or performance |

[Figure 4-1](#) shows the TPS2HB50-Q1 pin diagram. For a detailed description of the device pins please refer to the *Pin Configuration and Functions* section in the TPS2HB50-Q1 data sheet.

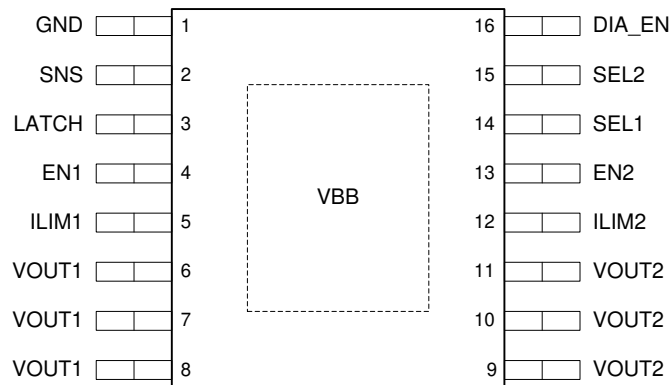


Figure 4-1. Pin Diagram

Following are the assumptions of use and the device configuration assumed for the pin FMA in this section:

- Follow data sheet recommendation for operating conditions, external component selection and PCB layout

Table 4-2. Pin FMA for Device Pins Short-Circuited to Ground

| Pin Name | Pin No. | Description of Potential Failure Effect(s) | Failure Effect Class |
|----------|---------|--|----------------------|
| GND | 1 | Resistor/diode network will be bypassed if present | B |
| SNS | 2 | SNS current diagnostic not available. | B |
| LATCH | 3 | Normal operation. With device in auto-retry mode. | B |
| EN1 | 4 | Normal operation with channel 1 output off (FET turned off). | B |
| ILIM1 | 5 | Current Limit for channel 1 defaults to internal limit. | C |
| VOUT1 | 6,7,8 | Short to GND protection kicks in to protect the device. | B |
| VOUT2 | 9,10,11 | Short to GND protection kicks in to protect the device. | B |
| ILIM2 | 12 | Current Limit for channel 2 defaults to internal limit. | C |
| EN2 | 13 | Normal operation with channel 2 output off (FET turned off). | B |
| SEL1 | 14 | Normal operation with diagnostics corresponding to SEL1=LOW. | B |
| SEL2 | 15 | Normal operation with diagnostics corresponding to SEL2=LOW. | B |

Table 4-2. Pin FMA for Device Pins Short-Circuited to Ground (continued)

| Pin Name | Pin No. | Description of Potential Failure Effect(s) | Failure Effect Class |
|----------|---------|--|----------------------|
| DIAG_EN | 16 | Normal operation with diagnostics function disabled. | B |

Table 4-3. Pin FMA for Device Pins Open-Circuited

| Pin Name | Pin No. | Description of Potential Failure Effect(s) | Failure Effect Class |
|----------|---------|--|----------------------|
| GND | 1 | The output is off with the FET turned off. | B |
| SNS | 2 | SNS current diagnostic no available. | B |
| LATCH | 3 | Normal operation with device in auto-retry mode. Internal pull-down resistor will pull pin to GND. | B |
| EN1 | 4 | Normal operation with channel 1 output off (FET turned off). Internal pull-down resistor will pull pin to GND. | B |
| ILIM1 | 5 | Current Limit for channel 1 defaults to internal limit. | C |
| VOUT1 | 6,7,8 | Channel 1 Output off. Open load detection will be triggered in off-state while in diagnostics state. | B |
| VOUT2 | 9,10,11 | Channel 2 Output off. Open load detection will be triggered in off-state while in diagnostics state. | B |
| ILIM2 | 12 | Current Limit for channel 2 defaults to internal limit. | C |
| EN2 | 13 | Normal operation with channel 2 output off (FET turned off). Internal pull-down resistor will pull pin to GND. | B |
| SEL1 | 14 | Normal operation with diagnostics corresponding to SEL1=LOW. Internal pull-down resistor will pull pin to GND. | B |
| SEL2 | 15 | Normal operation with diagnostics corresponding to SEL2=LOW. Internal pull-down resistor will pull pin to GND. | B |
| DIAG_EN | 16 | Normal operation with diagnostics function disabled. Internal pull-down resistor will pull pin to GND. | B |

Table 4-4. Pin FMA for Device Pins Short-Circuited to Adjacent Pin

| Pin Name | Pin No. | Shorted to | Description of Potential Failure Effect(s) | Failure Effect Class |
|----------|---------|------------|---|----------------------|
| GND | 1 | 2 (SNS) | SNS current diagnostic not available. | B |
| SNS | 2 | 3 (LATCH) | Undefined device behavior and depends on pin voltage. Sense output may not be correct. Latch function may be enabled if pin voltage > VIH; latch function may be disabled if pin voltage < VIL. | B |
| LATCH | 3 | 4 (EN) | Device behavior depends on pin voltage. Latch function may be enabled if pin voltage > VIH; Latch function may be disabled if pin voltage < VIL. | B |
| EN1 | 4 | 5 (ILIM1) | Undefined device behavior. Channel may be enabled if pin voltage > VIH; channel may be disabled if pin voltage < VIL. Channel 1 current limit threshold will not be correct. | B |
| ILIM1 | 5 | 6 (VOUT) | Undefined device behavior. Current limit threshold (ch1) will not be correct or short circuit/overload protection may not function. VOUT of Ch1 behavior may not be correct. | A |
| VOUT1 | 6,7,8 | 5 (ILIM1) | Undefined device behavior. Current limit threshold (ch1) will not be correct or short circuit/overload protection may not function. VOUT of Ch1 behavior may not be correct. | A |
| VOUT2 | 9,10,11 | 12 (ILIM2) | Undefined device behavior. Current limit threshold (ch2) will not be correct or short circuit/overload protection may not function. VOUT of Ch2 behavior may not be correct. | A |
| ILIM2 | 12 | 13 (EN2) | Undefined device behavior. Channel 2 may be enabled if pin voltage > VIH; channel 2 may be disabled if pin voltage < VIL. Channel 2 current limit threshold will not be correct. | B |
| EN2 | 13 | 14 (SEL1) | Undefined device behavior. Ch2 may be enabled if pin voltage > VIH; Ch2 may be disabled if pin voltage < VIL. | B |
| SEL1 | 14 | 15 (SEL2) | Device behavior depends on adjacent pin voltage affecting diagnostic output. | B |

Table 4-4. Pin FMA for Device Pins Short-Circuited to Adjacent Pin (continued)

| Pin Name | Pin No. | Shorted to | Description of Potential Failure Effect(s) | Failure Effect Class |
|----------|---------|--------------|---|----------------------|
| SEL2 | 15 | 16 (DIAG_EN) | Device behavior depends on adjacent pin voltage affecting diagnostic output. Diagnostic function may be enabled if pin voltage > VIH; Diagnostic function may be disabled if pin voltage < VIL. | B |
| DIAG_EN | 16 | 15 (SEL2) | Device behavior depends on adjacent pin voltage affecting diagnostic output. Diagnostic function may be enabled if pin voltage > VIH; Diagnostic function may be disabled if pin voltage < VIL. | B |

Table 4-5. Pin FMA for Device Pins Short-Circuited to supply

| Pin Name | Pin No. | Description of Potential Failure Effect(s) | Failure Effect Class |
|----------|---------------|---|----------------------|
| GND | 1 | Supply power will be bypassed and device will not turn on | B |
| SNS | 2 | Undefined device behavior; may cause device damage due to voltage breakdown on ESD circuit | A |
| LATCH | 3 | If pin voltage exceeds the pin data sheet range, it may cause device damage due to voltage breakdown on ESD circuit. Device behavior depends on supply voltage. | A |
| EN1 | 4 | Undefined device behavior; if pin voltage exceeds the pin data sheet range, it may cause device damage due to voltage breakdown on ESD circuit. | A |
| ILIM1 | 5 | Normal operation but with ch1 higher current limit programmed with internal reference. | C |
| VOUT | 6,7,8,9,10,11 | Output 1 stuck on to supply. Open load detection will be triggered in off-state in diagnostics state. | C |
| VOUT2 | 9,10,11 | Output 2 stuck on to supply. Open load detection will be triggered in off-state in diagnostics state. | C |
| ILIM2 | 12 | Normal operation but with ch2 higher current limit programmed with internal reference. | C |
| EN2 | 13 | Undefined device behavior; if pin voltage exceeds the pin data sheet range, it may cause device damage due to voltage breakdown on ESD circuit. | A |
| SEL1 | 14 | Undefined device behavior; if pin voltage exceeds the pin data sheet range, it may cause device damage due to voltage breakdown on ESD circuit. | A |
| SEL2 | 15 | Undefined device behavior; if pin voltage exceeds the pin data sheet range, it may cause device damage due to voltage breakdown on ESD circuit. | A |
| DIAG_EN | 16 | Undefined device behavior; if pin voltage exceeds the pin data sheet range, it may cause device damage due to voltage breakdown on ESD circuit. | A |

IMPORTANT NOTICE AND DISCLAIMER

TI PROVIDES TECHNICAL AND RELIABILITY DATA (INCLUDING DATA SHEETS), DESIGN RESOURCES (INCLUDING REFERENCE DESIGNS), APPLICATION OR OTHER DESIGN ADVICE, WEB TOOLS, SAFETY INFORMATION, AND OTHER RESOURCES "AS IS" AND WITH ALL FAULTS, AND DISCLAIMS ALL WARRANTIES, EXPRESS AND IMPLIED, INCLUDING WITHOUT LIMITATION ANY IMPLIED WARRANTIES OF MERCHANTABILITY, FITNESS FOR A PARTICULAR PURPOSE OR NON-INFRINGEMENT OF THIRD PARTY INTELLECTUAL PROPERTY RIGHTS.

These resources are intended for skilled developers designing with TI products. You are solely responsible for (1) selecting the appropriate TI products for your application, (2) designing, validating and testing your application, and (3) ensuring your application meets applicable standards, and any other safety, security, regulatory or other requirements.

These resources are subject to change without notice. TI grants you permission to use these resources only for development of an application that uses the TI products described in the resource. Other reproduction and display of these resources is prohibited. No license is granted to any other TI intellectual property right or to any third party intellectual property right. TI disclaims responsibility for, and you will fully indemnify TI and its representatives against, any claims, damages, costs, losses, and liabilities arising out of your use of these resources.

TI's products are provided subject to [TI's Terms of Sale](#) or other applicable terms available either on ti.com or provided in conjunction with such TI products. TI's provision of these resources does not expand or otherwise alter TI's applicable warranties or warranty disclaimers for TI products.

TI objects to and rejects any additional or different terms you may have proposed.

Mailing Address: Texas Instruments, Post Office Box 655303, Dallas, Texas 75265
Copyright © 2022, Texas Instruments Incorporated