

# AMC1351-Q1

## Functional Safety FIT Rate, FMD and Pin FMA



Roland Bucksch

### Table of Contents

1 Overview.....	2
2 Functional Safety Failure In Time (FIT) Rates.....	3
3 Failure Mode Distribution (FMD).....	4
4 Pin Failure Mode Analysis (Pin FMA).....	5

### Trademarks

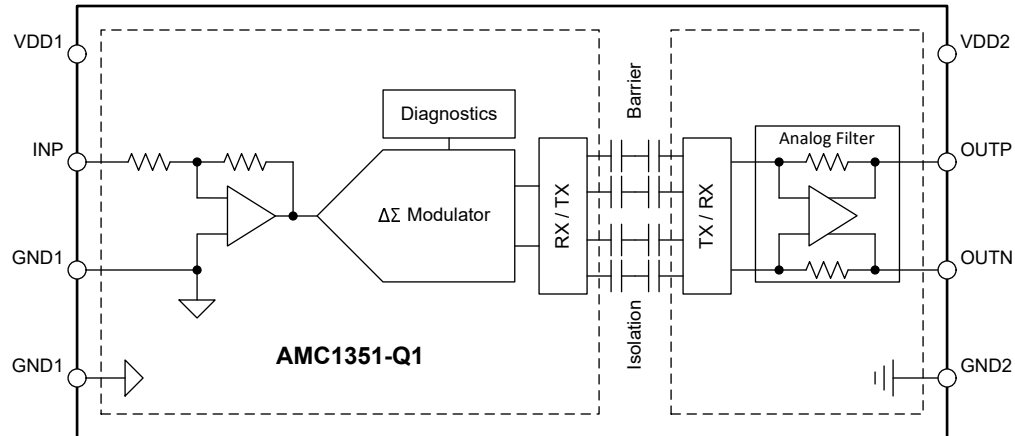
All trademarks are the property of their respective owners.

## 1 Overview

This document contains information for the AMC1351-Q1 (SOIC package) to aid in a functional safety system design. Information provided are:

- Functional safety failure in time (FIT) rates of the semiconductor component estimated by the application of industry reliability standards
- Component failure modes and their distribution (FMD) based on the primary function of the device
- Pin failure mode analysis (pin FMA)

Figure 1-1 shows the device functional block diagram for reference.



**Figure 1-1. Functional Block Diagram**

The AMC1351-Q1 was developed using a quality-managed development process, but was not developed in accordance with the IEC 61508 or ISO 26262 standards.

## 2 Functional Safety Failure In Time (FIT) Rates

This section provides functional safety failure in time (FIT) rates for the AMC1351-Q1 based on two different industry-wide used reliability standards:

- [Table 2-1](#) provides FIT rates based on IEC TR 62380 / ISO 26262 part 11
- [Table 2-2](#) provides FIT rates based on the Siemens Norm SN 29500-2

**Table 2-1. Component Failure Rates per IEC TR 62380 / ISO 26262 Part 11**

FIT IEC TR 62380 / ISO 26262	FIT (Failures Per 10 <sup>9</sup> Hours)
Total component FIT rate	17
Die FIT rate	3
Package FIT rate	14

The failure rate and mission profile information in [Table 2-1](#) comes from the reliability data handbook IEC TR 62380 / ISO 26262 part 11:

- Mission profile: Motor control from table 11
- Power dissipation: 96 mW
- Climate type: World-wide table 8
- Package factor (lambda 3): Table 17b
- Substrate material: FR4
- EOS FIT rate assumed: 0 FIT

**Table 2-2. Component Failure Rates per Siemens Norm SN 29500-2**

Table	Category	Reference FIT Rate	Reference Virtual T <sub>J</sub>
5	CMOS, BICMOS Digital, analog, or mixed	25 FIT	55°C

The reference FIT rate and reference virtual T<sub>J</sub> (junction temperature) in [Table 2-2](#) come from the Siemens Norm SN 29500-2 tables 1 through 5. Failure rates under operating conditions are calculated from the reference failure rate and virtual junction temperature using conversion information in SN 29500-2 section 4.

### 3 Failure Mode Distribution (FMD)

The failure mode distribution estimation for the AMC1351-Q1 in [Table 3-1](#) comes from the combination of common failure modes listed in standards such as IEC 61508 and ISO 26262, the ratio of sub-circuit function size and complexity, and from best engineering judgment.

The failure modes listed in this section reflect random failure events and do not include failures resulting from misuse or overstress.

**Table 3-1. Die Failure Modes and Distribution**

Die Failure Modes	Failure Mode Distribution (%)
Output out of specification (gain error)	20%
Output out of specification (offset error)	20%
Output out of specification (differential output at positive or negative full scale)	20%
OUTN stuck high or low	10%
OUTP stuck high or low	10%
Reduced CMTI performance	9%
Output out of specification (spikes, increased noise)	5%
Device behavior undetermined	5%
Output fail-safe function fails to indicate an error <sup>(1)</sup>	1%

(1) Die faults that lead to a fail-safe indication of an error on the output are excluded.

The FMD in [Table 3-1](#) excludes short-circuit faults across the isolation barrier. Faults for short circuits across the isolation barrier can be excluded according to ISO 61800-5-2:2016 if the following requirements are fulfilled:

1. The signal isolation component is OVC III according to IEC 61800-5-1. If a safety-separated extra low voltage (SELV) or protective extra low voltage (PELV) power supply is used, pollution degree 2 / OVC II applies. All requirements of IEC 61800-5-1:2007, 4.3.6 apply.
2. Measures are taken to ensure that an internal failure of the signal isolation component cannot result in excessive temperature of its insulating material.

Apply creepage and clearance requirements according to the specific equipment isolation standards of an application. Care must be taken to maintain the creepage and clearance distance of a board design to ensure that the mounting pads of the isolator on the printed-circuit board do not reduce this distance.

## 4 Pin Failure Mode Analysis (Pin FMA)

This section provides a failure mode analysis (FMA) for the pins of the AMC1351-Q1. The failure modes covered in this document include the typical pin-by-pin failure scenarios:

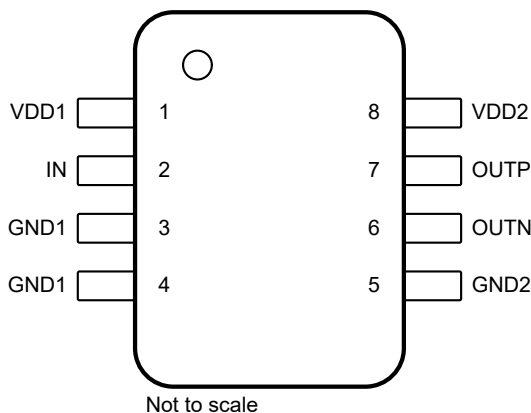
- Pin short-circuited to ground (see [Table 4-2](#))
- Pin open-circuited (see [Table 4-3](#))
- Pin short-circuited to an adjacent pin (see [Table 4-4](#))
- Pin short-circuited to supply (see [Table 4-5](#))

[Table 4-2](#) through [Table 4-5](#) also indicate how these pin conditions can affect the device as per the failure effects classification in [Table 4-1](#).

**Table 4-1. TI Classification of Failure Effects**

Class	Failure Effects
A	Potential device damage that affects functionality.
B	No device damage, but loss of functionality.
C	No device damage, but performance degradation.
D	No device damage, no impact to functionality or performance.

[Figure 4-1](#) shows the AMC1351-Q1 pin diagram. For a detailed description of the device pins, see the *Pin Configuration and Functions* section in the AMC1351-Q1 data sheet.



**Figure 4-1. Pin Diagram**

Following are the assumptions of use and the device configuration assumed for the pin FMA in this section:

- RC filter on IN.  
The series resistor is sized to limit the input current into IN to <10 mA under all circumstances (for example, if the device is unpowered and the input signal is applied).
- For pins on primary side:  
*Short-circuited to ground* means short to GND1.  
*Short-circuited to supply* means short to VDD1.
- For pins on secondary side:  
*Short-circuited to ground* means short to GND2.  
*Short-circuited to supply* means short to VDD2.

**Table 4-2. Pin FMA for Device Pins Short-Circuited to Ground**

Pin Name	Pin No.	Description of Potential Failure Effect(s)	Failure Effect Class
VDD1	1	Device primary side unpowered. Fail-safe output (see data sheet for more details). Observe that the absolute maximum ratings for the IN pin of the device is met, otherwise device damage may be plausible.	A
IN	2	IN stuck low (GND1). Differential output ( $V_{OUTP} - V_{OUTN}$ ) = 0 V with common-mode voltage approximately 1.44 V.	B
GND1	3	No effect. Normal operation.	D
GND1	4	No effect. Normal operation.	D
GND2	5	No effect. Normal operation.	D
OUTN	6	OUTN stuck low (GND2). Excess current consumption from VDD2 source because of short-circuit condition. Device damage plausible if condition is present for extended period of time.	A
OUTP	7	OUTP stuck low (GND2). Excess current consumption from VDD2 source because of short-circuit condition. Device damage plausible if condition is present for extended period of time.	A
VDD2	8	Device secondary side unpowered. OUTP and OUTN pins are driven to GND2.	B

**Table 4-3. Pin FMA for Device Pins Open-Circuited**

Pin Name	Pin No.	Description of Potential Failure Effect(s)	Failure Effect Class
VDD1	1	Device primary side unpowered. Fail-safe output (see data sheet for more details).	B
INP	2	Differential output ( $V_{OUTP} - V_{OUTN}$ ) undetermined.	B
GND1	3	Device input buffer is missing ground reference. Differential output ( $V_{OUTP} - V_{OUTN}$ ) undetermined.	B
GND1	4	Device high side unpowered. Fail-safe output (see data sheet for more details).	B
GND2	5	Device behavior undetermined. $V_{OUTN}$ and $V_{OUTP}$ undetermined.	B
OUTN	6	Differential output ( $V_{OUTP} - V_{OUTN}$ ) undetermined.	B
OUTP	7	Differential output ( $V_{OUTP} - V_{OUTN}$ ) undetermined.	B
VDD2	8	Device secondary side unpowered. OUTP and OUTN pins are driven to GND2.	B

**Table 4-4. Pin FMA for Device Pins Short-Circuited to Adjacent Pin**

Pin Name	Pin No.	Shorted to	Description of Potential Failure Effect(s)	Failure Effect Class
VDD1	1	IN	IN stuck high (VDD1). Differential output ( $V_{OUTP} - V_{OUTN}$ ) = $V_{VDD1} \times 0.4$ .	B
IN	2	GND1	IN stuck low. Differential output ( $V_{OUTP} - V_{OUTN}$ ) = 0 V.	B
GND1	3	GND1	No effect. Normal operation.	D
GND1	4	GND2	Not considered. Corner pin.	D
GND2	5	OUTN	OUTN stuck low (GND2). Excess current consumption from VDD2 source because of short-circuit condition. Device damage plausible if condition is present for extended period of time.	A
OUTN	6	OUTP	Differential output ( $V_{OUTP} - V_{OUTN}$ ) = 0 V with common-mode voltage approximately 1.44 V. Excess current consumption from VDD2 source. Device damage plausible if condition is present for extended period of time.	A
OUTP	7	VDD2	OUTP stuck high (VDD2). Excess current consumption from VDD2 source. Device damage plausible if condition is present for extended period of time.	A
VDD2	8	VDD1	Not considered. Corner pin.	D

**Table 4-5. Pin FMA for Device Pins Short-Circuited to Supply**

Pin Name	Pin No.	Description of Potential Failure Effect(s)	Failure Effect Class
VDD1	1	No effect. Normal operation.	D
IN	2	IN stuck high (VDD1). Differential output ( $V_{OUTP} - V_{OUTN}$ ) = $V_{VDD1} \times 0.4$ .	B
GND1	3	Incorrect ground reference for input buffer. Differential output ( $V_{OUTP} - V_{OUTN}$ ) incorrect.	B
GND1	4	Device primary side unpowered. Fail-safe output (see data sheet for details). Observe that the absolute maximum ratings for IN is met, otherwise device damage may be plausible.	A
GND2	5	Device secondary side unpowered. OUTP and OUTN pins are driven to GND2.	B
OUTN	6	OUTN stuck high (VDD2). Excess current consumption from VDD2 source. Device damage plausible if condition is present for extended period of time.	A
OUTP	7	OUTP stuck high (VDD2). Excess current consumption from VDD2 source. Device damage plausible if condition is present for extended period of time.	A
VDD2	8	No effect. Normal operation.	D

## IMPORTANT NOTICE AND DISCLAIMER

TI PROVIDES TECHNICAL AND RELIABILITY DATA (INCLUDING DATA SHEETS), DESIGN RESOURCES (INCLUDING REFERENCE DESIGNS), APPLICATION OR OTHER DESIGN ADVICE, WEB TOOLS, SAFETY INFORMATION, AND OTHER RESOURCES "AS IS" AND WITH ALL FAULTS, AND DISCLAIMS ALL WARRANTIES, EXPRESS AND IMPLIED, INCLUDING WITHOUT LIMITATION ANY IMPLIED WARRANTIES OF MERCHANTABILITY, FITNESS FOR A PARTICULAR PURPOSE OR NON-INFRINGEMENT OF THIRD PARTY INTELLECTUAL PROPERTY RIGHTS.

These resources are intended for skilled developers designing with TI products. You are solely responsible for (1) selecting the appropriate TI products for your application, (2) designing, validating and testing your application, and (3) ensuring your application meets applicable standards, and any other safety, security, regulatory or other requirements.

These resources are subject to change without notice. TI grants you permission to use these resources only for development of an application that uses the TI products described in the resource. Other reproduction and display of these resources is prohibited. No license is granted to any other TI intellectual property right or to any third party intellectual property right. TI disclaims responsibility for, and you will fully indemnify TI and its representatives against, any claims, damages, costs, losses, and liabilities arising out of your use of these resources.

TI's products are provided subject to [TI's Terms of Sale](#) or other applicable terms available either on [ti.com](http://ti.com) or provided in conjunction with such TI products. TI's provision of these resources does not expand or otherwise alter TI's applicable warranties or warranty disclaimers for TI products.

TI objects to and rejects any additional or different terms you may have proposed.

Mailing Address: Texas Instruments, Post Office Box 655303, Dallas, Texas 75265  
Copyright © 2022, Texas Instruments Incorporated