

Using the TPS92561 Off-Line Boost LED Driver

The TPS92561EVM is a 12-W maximum, 120-VAC non-isolated dimmable LED driver. The TPS92561EVM implements a dimming solution using the TPS92561 integrated circuit from Texas Instruments. This user's guide provides electrical specifications, performance data, typical characteristic curves, schematics, printed-circuit board layout, and a bill of materials.

Contents

1	Introduction	2
2	Description	2
	2.1 Typical Applications	2
	2.2 TPS92561 Features	2
3	Electrical Performance Specifications	3
4	Schematic	4
5	Performance Data and Typical Characteristic Curves	6
	5.1 Efficiency	6
	5.2 Power Factor	6
	5.3 Input Current Total Harmonic Distortion	7
	5.4 Output Ripple	7
	5.5 Turn On Waveform	8
	5.6 Hysteretic Boost PFC Operation	8
	5.7 Dimming – Leviton 6683 Forward Phase Dimmer	9
	5.8 Dimming – Lutron Diva 303P Reverse Phase Dimmer	10
	5.9 Dimming – Lutron Maestro MAW-600H-LA Electronic Dimmer	10
	5.10 Dimming – NEMA SSL-6 Compliance	11
	5.11 EMI Scan	12
	5.12 Radiated EMI	13
	5.13 Dimmer Testing	14
6	Reference Design, Assembly Drawing, PCB Layout, and Bill of Materials	15
	6.1 Reference Design, Assembly Drawing, and PCB Layout	15
	6.2 Bill of Materials	16
Appendix A	Detailed Test Setup and Test Data	18
Appendix B	Layout Considerations	21
Appendix C	EVM Circuit Options Used	23

List of Figures

1	TPS92561 Boost Schematic	4
2	Dimming Wiring Diagram	5
3	TPS92561 Boost Efficiency.....	6
4	TPS92561 Boost Input Power Factor	6
5	TPS92561 Boost Input Current Total Harmonic Distortion	7
6	Output Ripple ($V_{OUT} = 215\text{ V}$, $I_{OUT} = 50\text{ mA}$, THD 7.5%)	7
7	Turn On Waveform, Turn-On Time $\cong 20\text{ ms}$	8
8	Hysteretic Control of Boost Inductor Current (at Maximum V_{ADJ} Voltage)	8
9	Hysteretic Control of Boost Inductor Current (at Minimum V_{ADJ} Voltage).....	9
10	Leviton Forward Phase Dimmer (90° Conduction Angle).....	9
11	Lutron Reverse Phase Dimmer (90° Conduction Angle).....	10

12	Lutron Forward Phase Electronic Dimmer (90° Conduction Angle)	10
13	NEMA SSL-6 Compliance Data Based on Forward Phase – Leviton 6683, Reverse Phase Dimmer – Lutron Diva 303P, and Electronic Dimmer - Lutron Maestro MAW-600H-LA Dimmer	11
14	Conducted EMI Scan	12
15	Amplitude vs Frequency, R10 = 100 Ω and C9 = 0.1 μF	13
16	PCB 3D Top View	15
17	TPS92561 Boost Top (Left) and Bottom (Right) Layer Assembly Drawing.....	15
18	TPS92561 Boost Top (Left) and Bottom (Right) Copper Layer	15
19	Suggested Dimming Connection	18
20	Critical Current Paths in Boost Topology.....	21
21	Current Sense Resistor and Filter Layout (Pin 4: SEN of TPS92561)	21
22	Gate Drive Output Circuit (Pin 1: GATE of TPS92561)	22

List of Tables

1	TPS92561EVM-001 Boost Reference Design Electrical Performance Specifications	3
2	Dimmer Testing	14
3	Test Data Approximately 215-V LED Load	18
4	Test Data: Forward Phase Dimmer – Leviton 6683	19
5	Test Data: Reverse Phase Dimmer – Lutron Diva 303P.....	19
6	Test Data: Electronic Dimmer – Lutron Maestro MAW-600H-LA	20

1 Introduction

The TPS92561EVM is a 12-W maximum, 120-VAC non-isolated dimmable LED driver whose form factor is intended for A-15, A-19, A-21, A-23, R-20, R-25, R-27, R-30, R-40, PS-25, PS-30, PS-35, BR-30, BR-38, BR-40, PAR-20, PAR-30, PAR-30L, G-25, G-30, G-40, and other LED bulbs.

2 Description

The TPS92561EVM implements a dimming solution using the TPS92561 integrated circuit from Texas Instruments. The TPS92561 is a boost controller for LED lighting applications utilizing high-voltage, low-current LEDs. The boost converter topology allows the creation of the smallest volume converter possible as well as enabling high efficiencies beyond 90%. The device incorporates a current sense comparator with a fixed offset enabling a simple hysteretic control scheme free of the loop compensation issues typically associated with a boost converter. Integrated overvoltage protection (OVP) and a VCC regulator further simplify the design procedure and reduce external component count.

2.1 Typical Applications

TRIAC-compatible LED lighting, including forward and reverse phase compatibility.

2.2 TPS92561 Features

- Simple hysteretic control
- Compact solution with small bill of material (BOM)
- High operating efficiency (typical 90% or higher)
- Low input current THD and high power factor solution
- Wide dimming range based on input voltage RMS value
- Compatible with forward, reverse and electronic dimmers
- Programmable output overvoltage protection (OVP)
- 8-pin MSOP PowerPAD™ package

3 Electrical Performance Specifications

Table 1 lists the electrical performance specifications of the TPS92561 device.

Table 1. TPS92561EVM-001 Boost Reference Design Electrical Performance Specifications⁽¹⁾

PARAMETER	TEST CONDITIONS	MIN	TYP	MAX	UNIT
INPUT CHARACTERISTICS					
Input voltage range		90	120	135	V
Maximum input current				0.100	A
OUTPUT CHARACTERISTICS					
Output voltage, V_{OUT}	Output current changes with LED stack. Nominal output is 215 V, 50 mA (10.75 W)	200	215	250	V
Output voltage regulation	Line regulation: $110\text{ V} \leq V_{IN} \leq 130\text{ V}$		$\pm 2.5\%$		
Output Current ripple	120-Hz LED ripple, typical with 215-V LED stack and 22- μF output energy storage capacitor		30		mApp
Output Current			45		mA
SYSTEMS CHARACTERISTICS					
Peak efficiency			92		%
Peak Power Factor			0.99		
Input current THD	Based on 12-W maximum		7.3		%
Operating temperature			25	125	$^{\circ}\text{C}$

⁽¹⁾ All performance results are for this design configuration only. Many opportunities exist to balance one performance factor for another in this design.

4 Schematic

Figure 1 shows the EVM schematic, and Figure 2 shows suggested dimming connections.

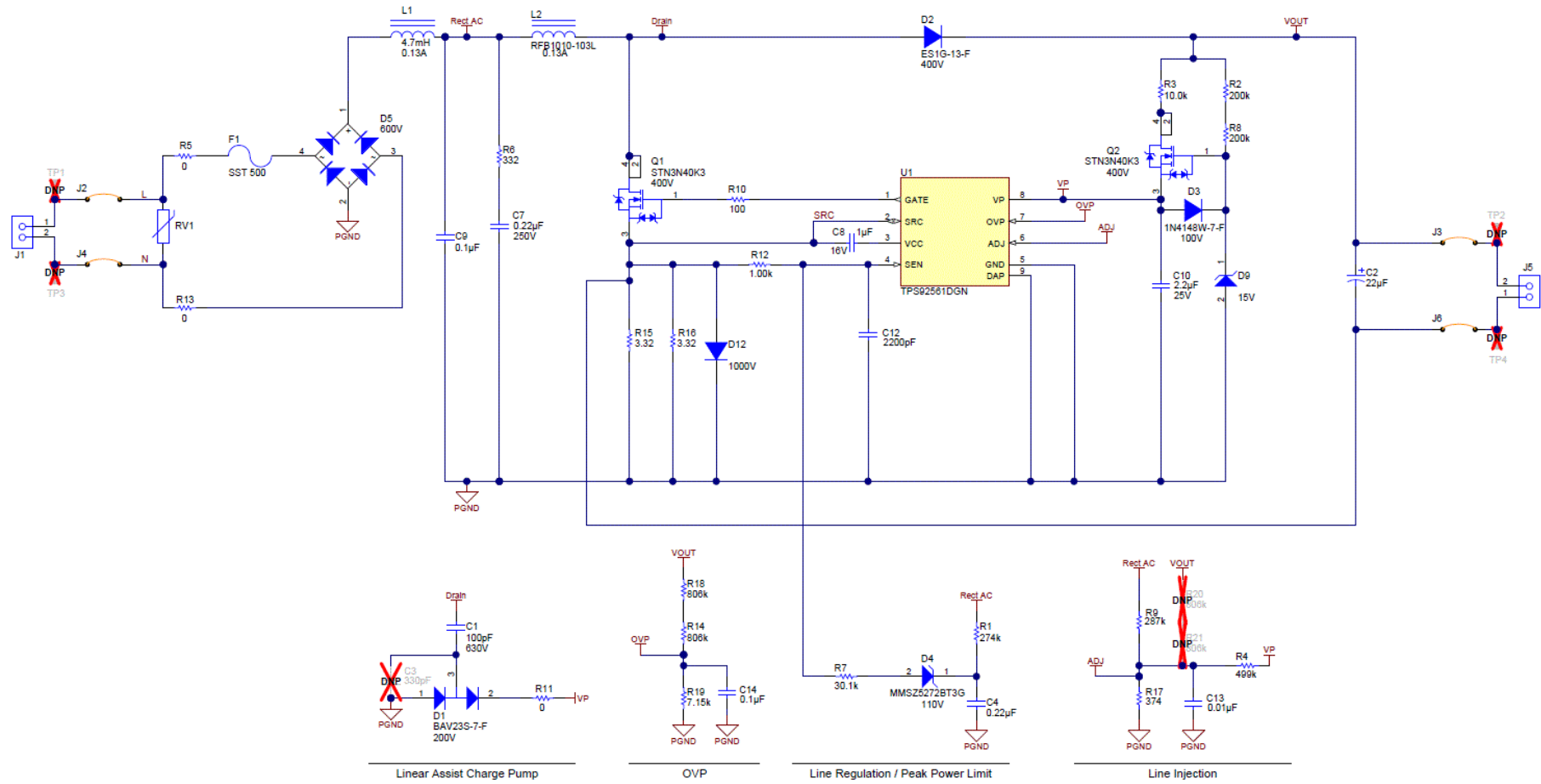


Figure 1. TPS92561 Boost Schematic

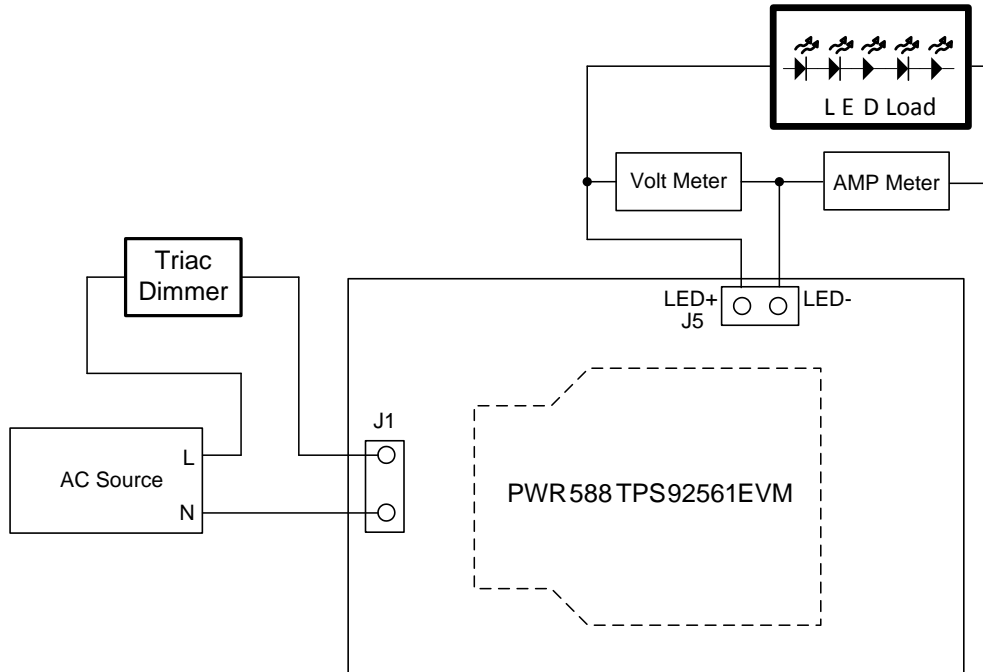


Figure 2. Dimming Wiring Diagram

5 Performance Data and Typical Characteristic Curves

Conditions: 215-V LED stack voltage; approximately 50-mA LED current; approximately 10-W boost LED driver

5.1 Efficiency

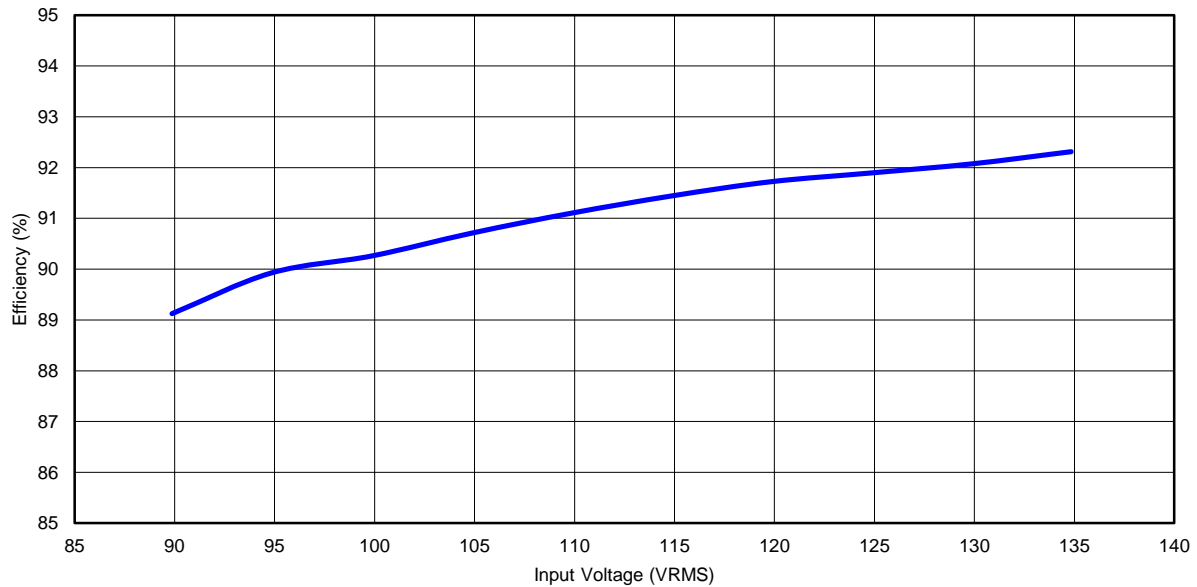


Figure 3. TPS92561 Boost Efficiency

5.2 Power Factor

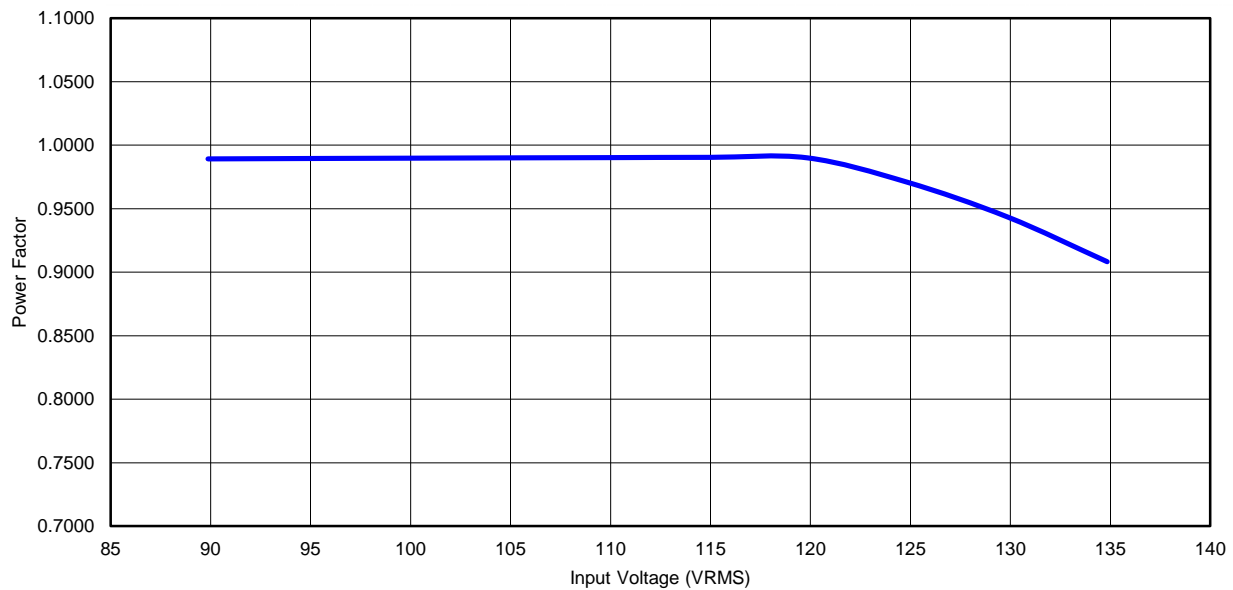


Figure 4. TPS92561 Boost Input Power Factor

5.3 Input Current Total Harmonic Distortion

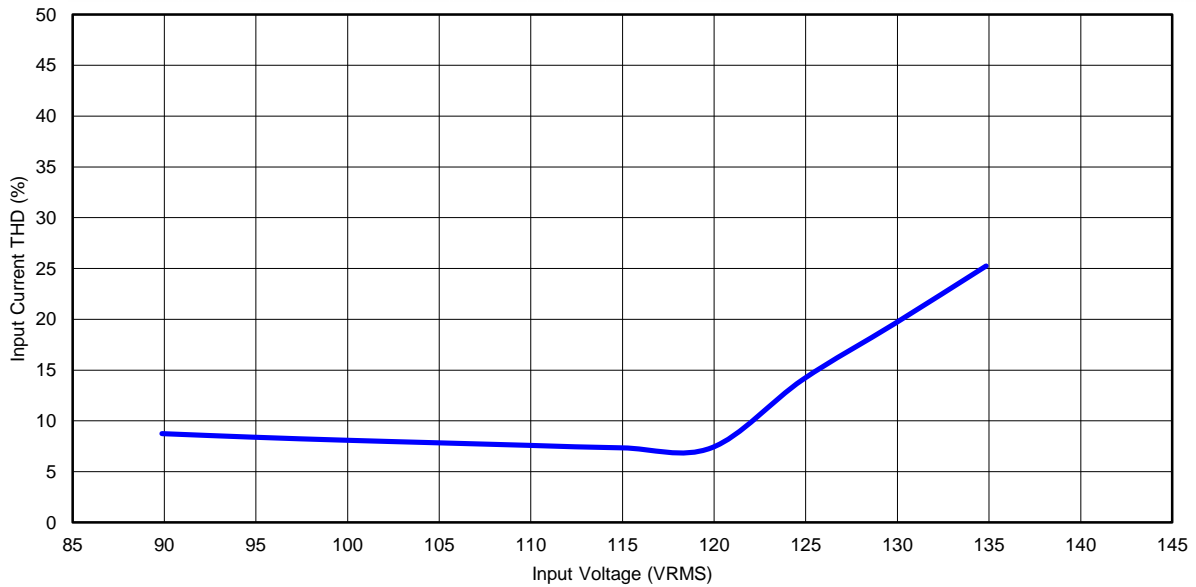
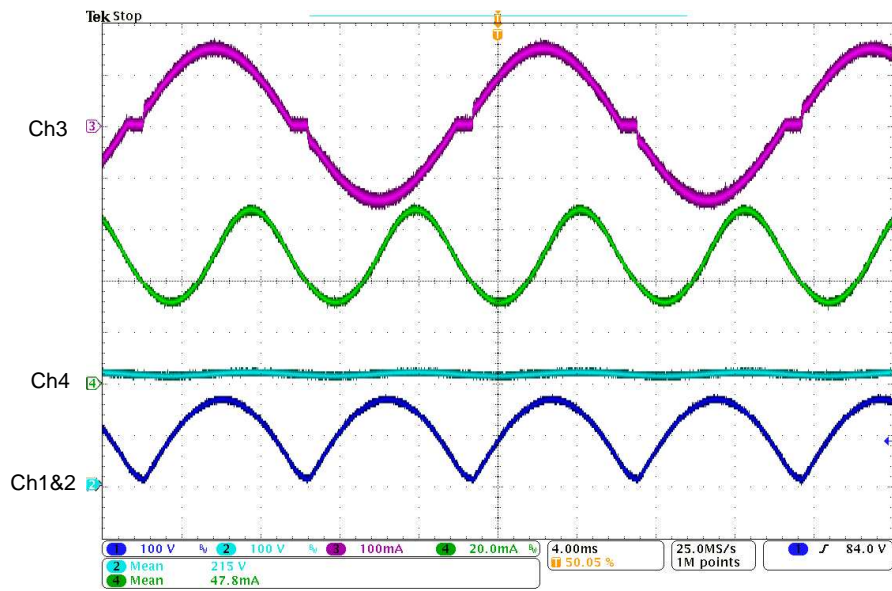


Figure 5. TPS92561 Boost Input Current Total Harmonic Distortion

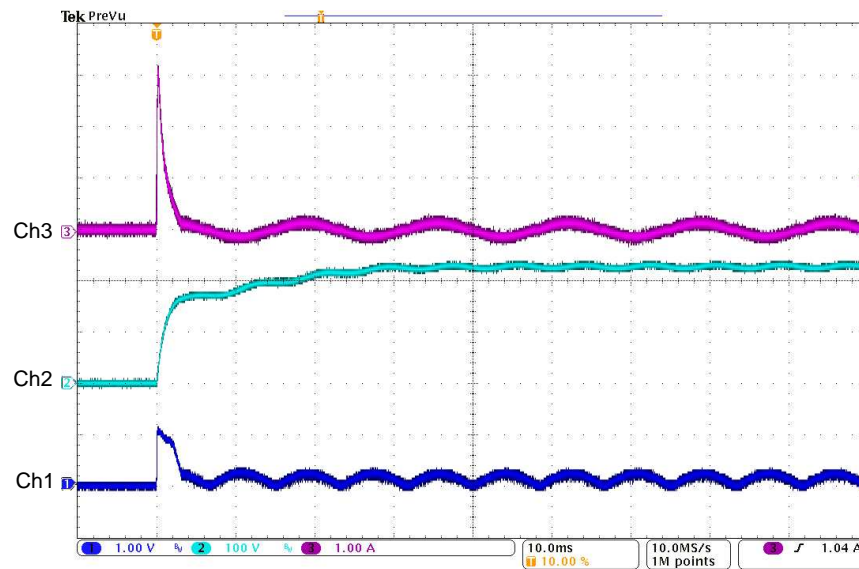
5.4 Output Ripple



Ch1: Rectified Input Voltage (100V/div); Ch2: Output Voltage (100V/div); Ch3: Input Current (100mA/div); Ch4: LED Current (20mA/div); Time (4ms/div)

Figure 6. Output Ripple ($V_{OUT} = 215\text{ V}$, $I_{OUT} = 50\text{ mA}$, THD 7.5%)

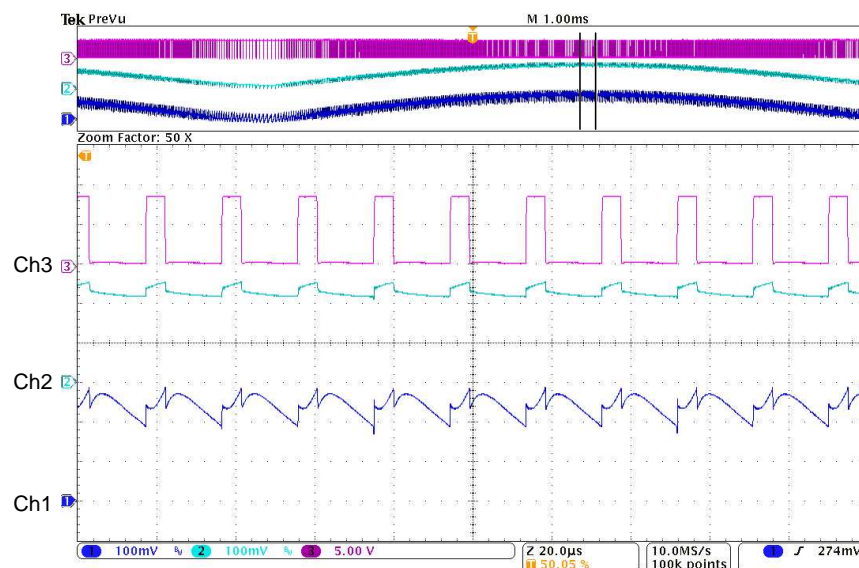
5.5 Turn On Waveform



Ch1: VSEN Voltage (1V/div); Ch2: Output Voltage (100V/div);
Ch3: Input Current (100mA/div); Time (10ms/div)

Figure 7. Turn On Waveform, Turn-On Time \approx 20 ms

5.6 Hysteretic Boost PFC Operation



Ch1: VSEN Voltage (100mV/div); Ch2: VADJ Voltage (100mV/div);
Ch3: GATE Voltage (5V/div); Time (20 μ s/div)

Figure 8. Hysteretic Control of Boost Inductor Current (at Maximum V_{ADJ} Voltage)

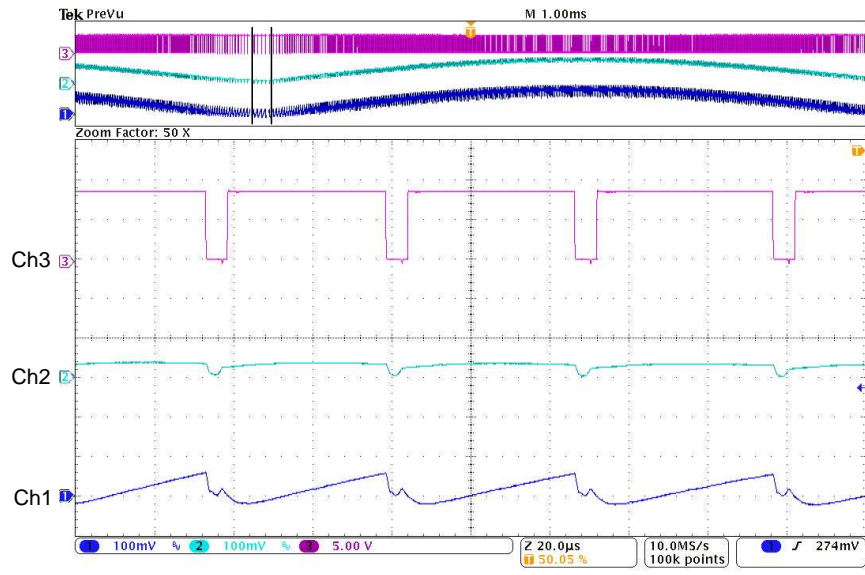


Figure 9. Hysteretic Control of Boost Inductor Current (at Minimum V_{ADJ} Voltage)

5.7 Dimming – Leviton 6683 Forward Phase Dimmer

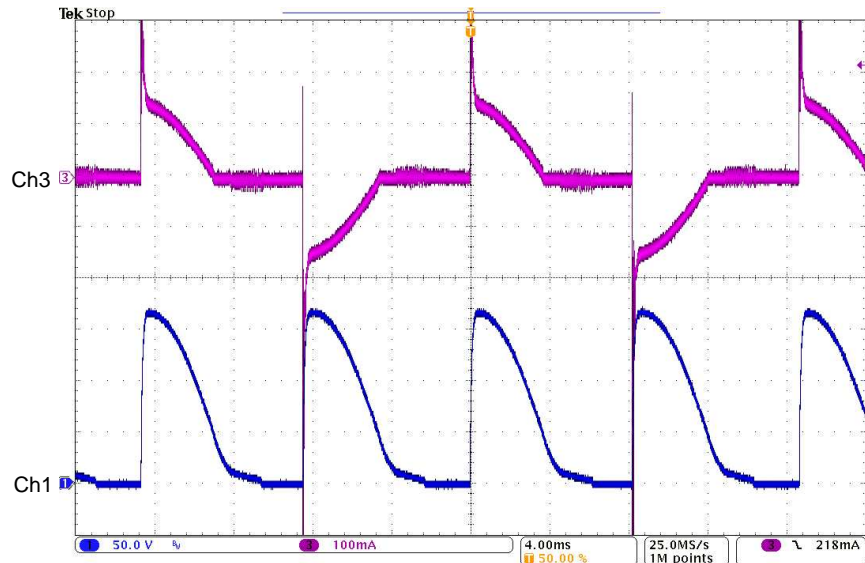


Figure 10. Leviton Forward Phase Dimmer (90° Conduction Angle)

5.8 Dimming – Lutron Diva 303P Reverse Phase Dimmer

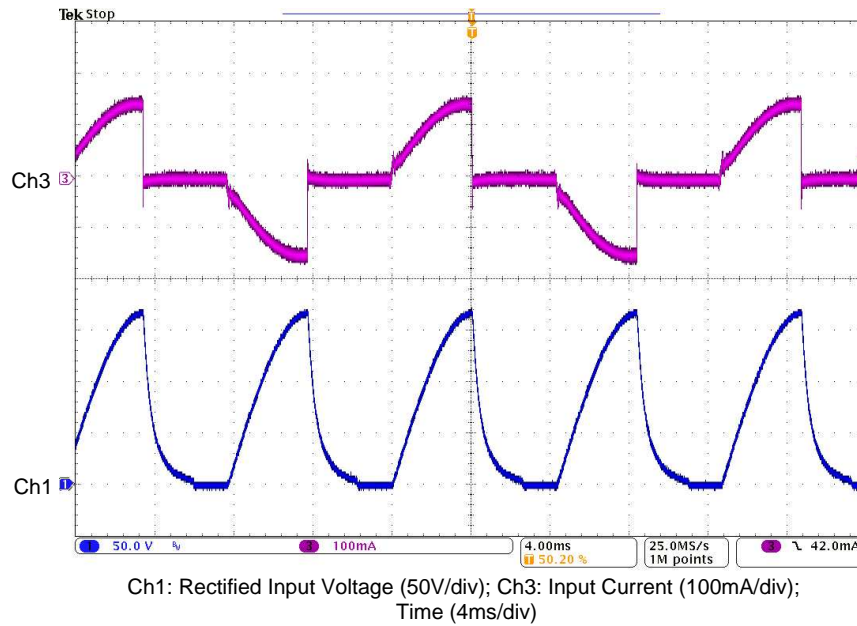


Figure 11. Lutron Reverse Phase Dimmer (90° Conduction Angle)

5.9 Dimming – Lutron Maestro MAW-600H-LA Electronic Dimmer

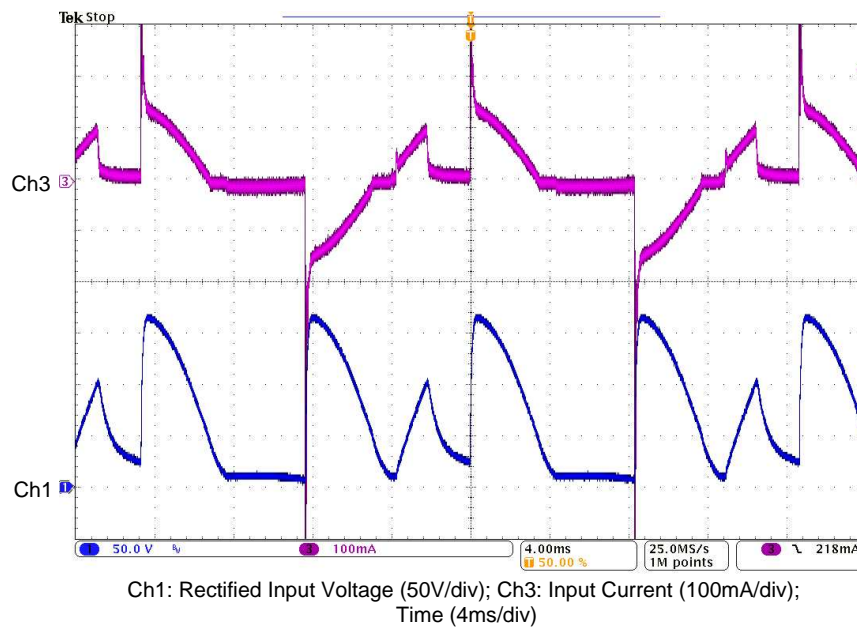


Figure 12. Lutron Forward Phase Electronic Dimmer (90° Conduction Angle)

5.10 Dimming – NEMA SSL-6 Compliance

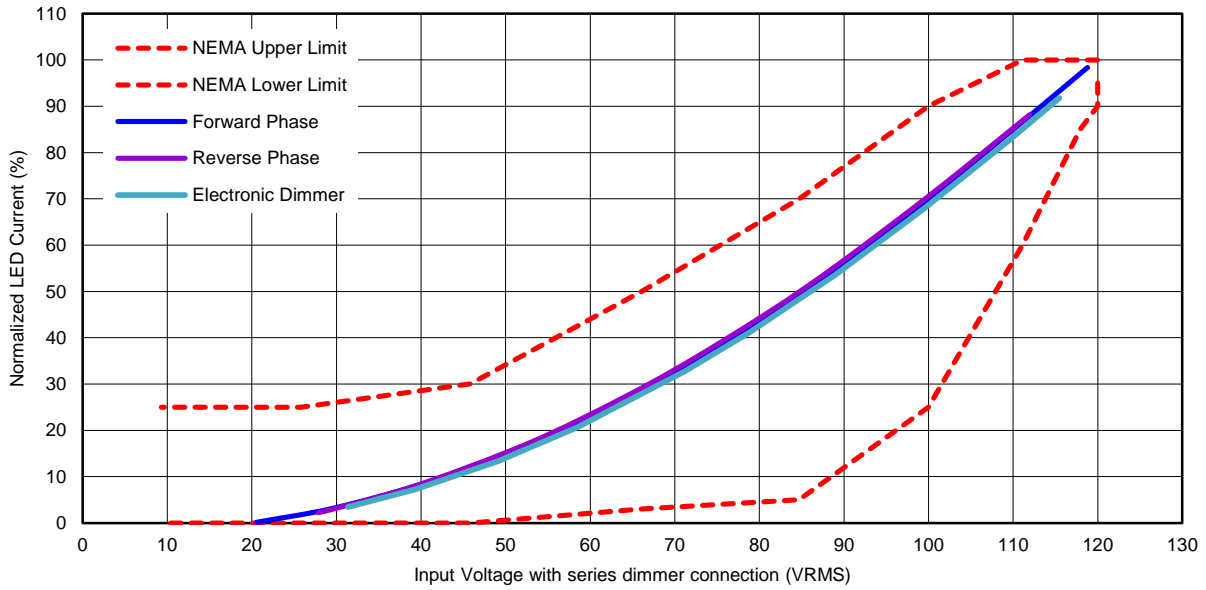
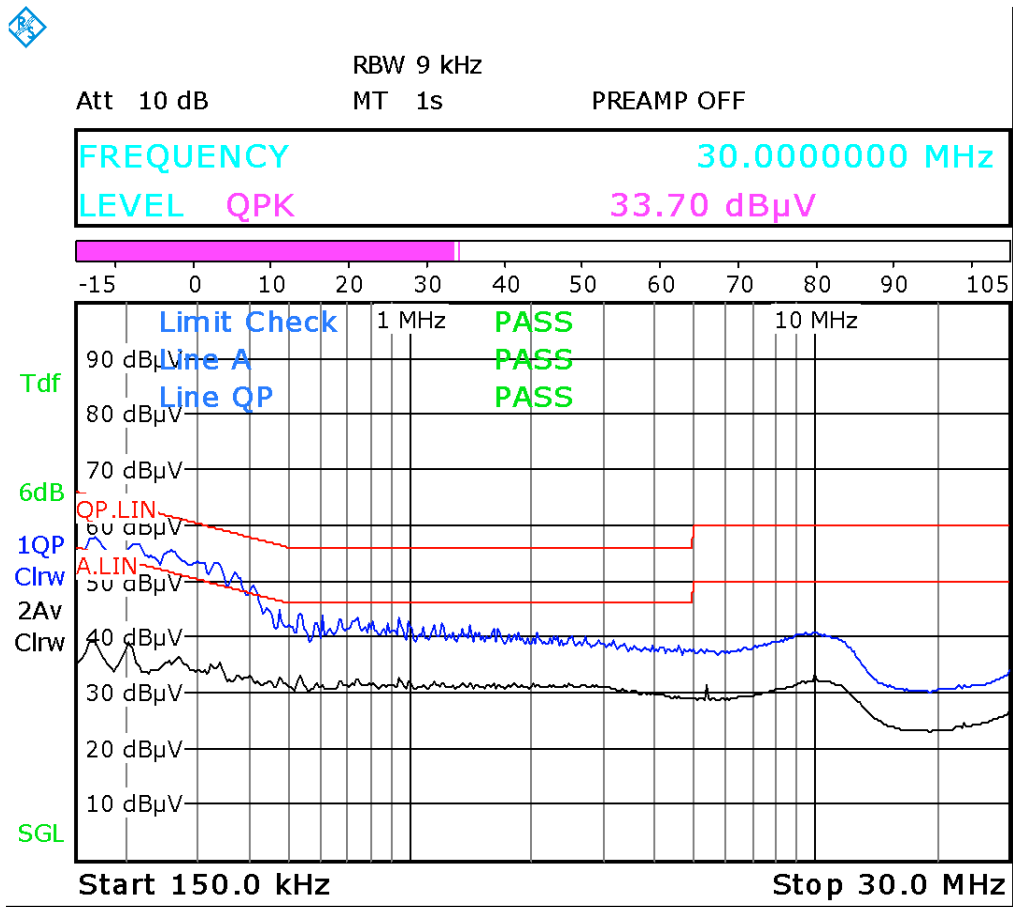


Figure 13. NEMA SSL-6 Compliance Data Based on Forward Phase – Leviton 6683, Reverse Phase Dimmer – Lutron Diva 303P, and Electronic Dimmer - Lutron Maestro MAW-600H-LA Dimmer

5.11 EMI Scan



Blue Trace: Quasi-Peak, Black Trace: Average

Figure 14. Conducted EMI Scan

NOTE: When using unshielded inductors, it is important that the devices sit in perpendicular planes. If the input filter inductors are not positioned at right angles, conducted emissions increase.

5.12 Radiated EMI

Radiated EMI was recorded using this EVM with the following addition: R5 and R13 where replaced with ferrite beads from Laird: HZ1206C202R-10.

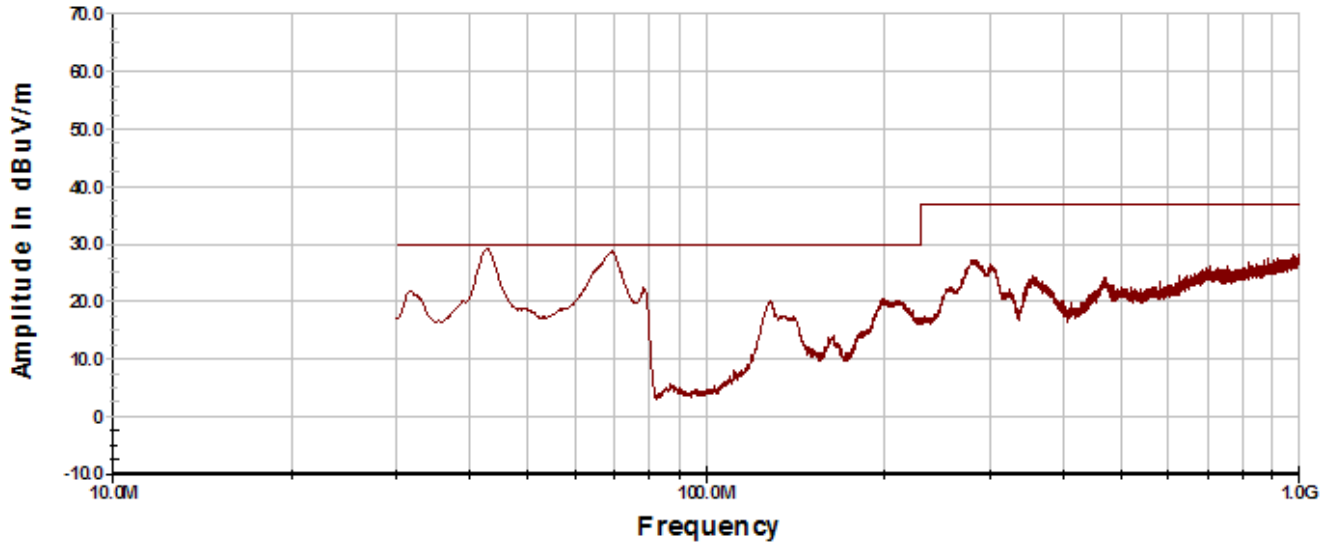


Figure 15. Amplitude vs Frequency, R10 = 100 Ω and C9 = 0.1 μF

5.13 Dimmer Testing

Table 2. Dimmer Testing

Conditions: 120-VAC, 215-V LED stack				
MANUFACTURER	SERIES	PART NUMBER	FLICKER-FREE STEADY STATE	
			1 Lamp	3 Lamps
Lutron	Maestro Duo	MAW-600H-LA	y	y
Lutron	Skylark Contour	CT-600PR-LA	y	y
Leviton	Decora	RPI06	y	y
Lutron	Skylark Contour	CTCL-153PDH	y	y
Leviton	SureSlide	6631	y	y
Leviton	Trimatron	6683	y	y
Lutron	Diva	DV-600PR-LA	y	y
Lutron	Diva	DVELV-303P	y	y
Lutron	Skylark	S-600PR-WH	y	y
Lutron	Toggler	TG-10PR-WH	y	y
Lutron	Toggler CFL/LED	TGCL-153PH-WA	y	y
Lutron	Toggler	TG-603PNL	y	y
Lutron	Diva	DVW-603PGH-WH	y	y
Lutron	Diva CFL/LED	DVWCL-153PH-LA	y	y
Lutron	Ariadni	AY-600P	y	y
Lutron	Nova	NTLV-600	y	y
Lutron	Lyneo Lx	LXLV-600PL-WH	y	y
Lutron	Diva	DVPDC-203P-IVN	y	y
Lutron	Nova	NLV-600-IV	y	y
Lutron	Skylark	SLV-600P	y	y
Lutron	Qoto	Q600P	y	y
Lutron	Ariadni CFL/LED	AYCL-153P-WH	y	y
Leviton	Trimatron	6684	y	y
Leviton	Electro-Mechanical	6161	y	y
Lutron	Ceana	CN-603P-AL	y	y

6 Reference Design, Assembly Drawing, PCB Layout, and Bill of Materials

6.1 Reference Design, Assembly Drawing, and PCB Layout

See Figure 16 to Figure 18 for the reference design, assembly drawing, and PCB layout.



Figure 16. PCB 3D Top View

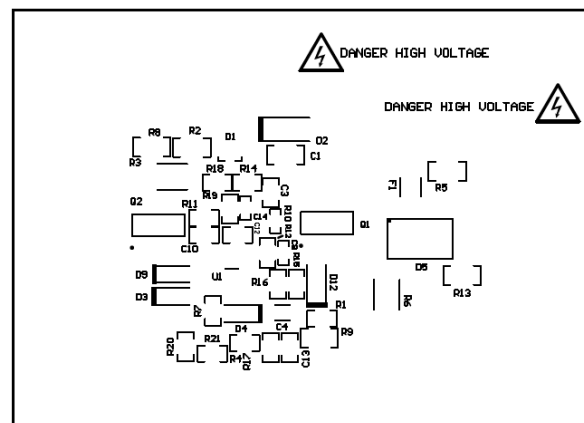
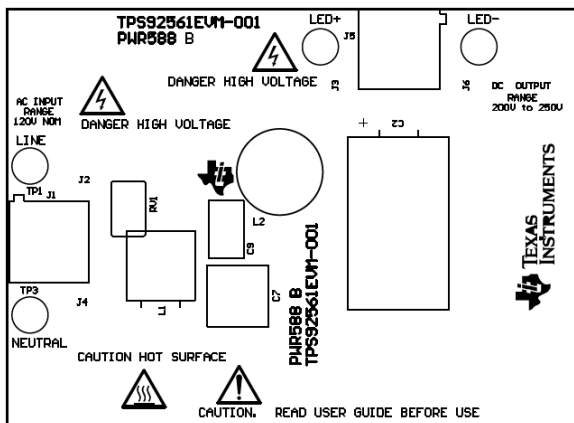


Figure 17. TPS92561 Boost Top (Left) and Bottom (Right) Layer Assembly Drawing

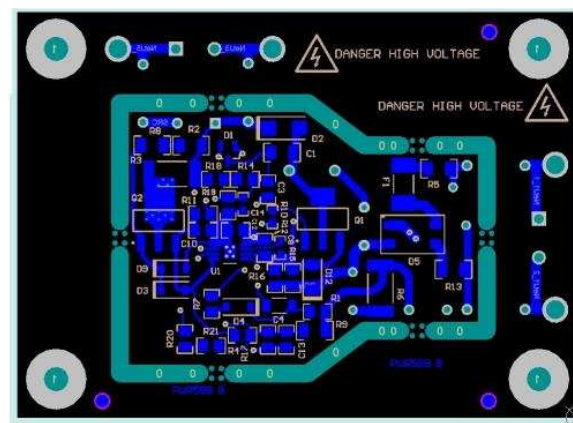
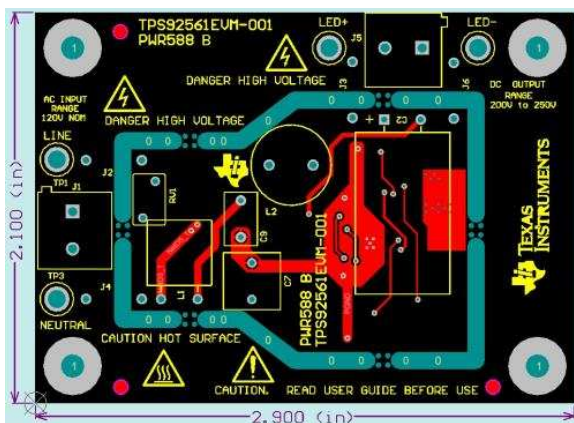


Figure 18. TPS92561 Boost Top (Left) and Bottom (Right) Copper Layer

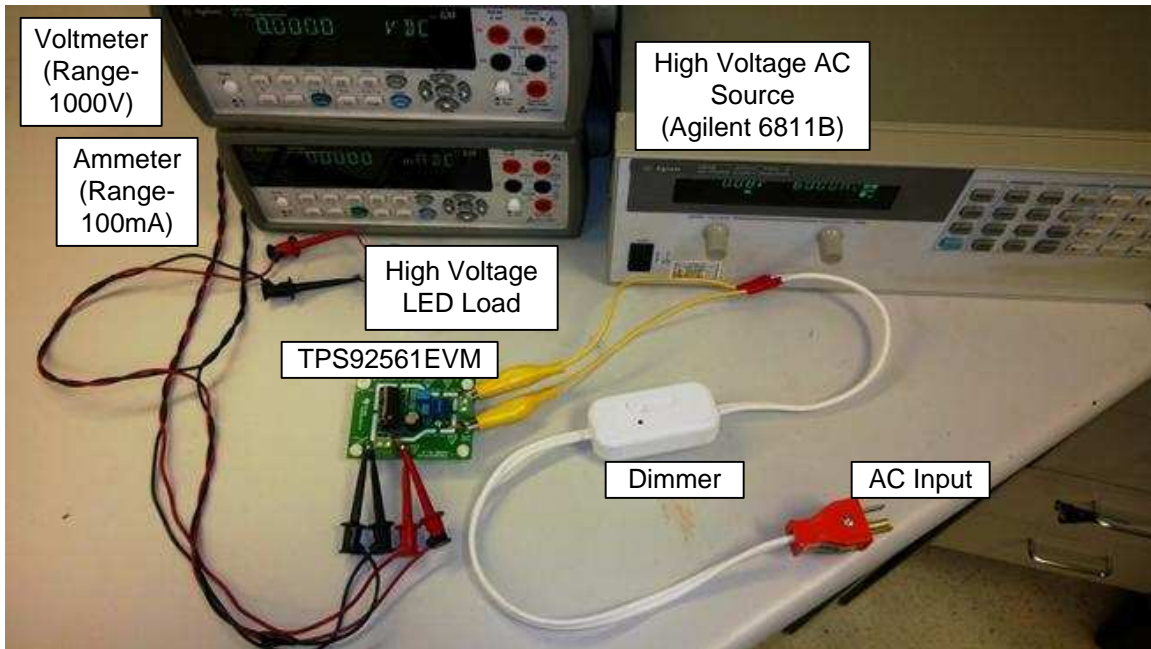
6.2 Bill of Materials

REF DES	QTY	DESCRIPTION	MANUFACTURER	PART NUMBER
U1	1	Phase Dimmable Hysteretic Boost LED Driver	Texas Instruments	TPS92561DGN
C1	1	Capacitor, ceramic, 100 pF, 630 V, ±5%, C0G/NP0, 1206	MuRata	GRM31A5C2J101JW01D
C2	1	Capacitor, aluminum, 22 µF, 350 V, 20% RADIAL	Panasonic Electronic Components	EEU-ED2V220
C4	1	Capacitor, ceramic, 0.22 µF, 250V, X7T, 10%, 1206	TDK Corporation	C3216X7T2E224K160AA
C7	1	Capacitor, Film, 0.22 µF, 25 V, ±5%, TH	EPCOS Inc	B32529D3224J
C8	1	Capacitor, ceramic, 1 µF, 16 V, ±10%, X7R, 0603	MuRata	GRM188R71C105KA12D
C9	1	Capacitor, Film, 0.1 µF, 250 V, ±10%, TH	EPCOS Inc	B32529C3104K
C10	1	Capacitor, ceramic, 2.2 µF, 25 V, ±10%, X7R, 0805	MuRata	GRM21BR71E225KA73L
C12	1	Capacitor, ceramic, 2200 pF, 100 V, +10%, X7R, 0805	TDK	C2012X7R2A222K
C13	1	Capacitor, ceramic, 0.01 µF, 50V, +10%, X7R, 0805	MuRata	GRM216R71H103KA01D
C14	1	Capacitor, ceramic, 0.1 µF, 16V, ±10%, X7R, 0603	MuRata	GRM188R71C104KA01D
D1	1	Diode, Switch, 200 V, 350 mA, SOT-23	Diodes Inc	BAV23S-7-F
D2	1	Diode Superfast, 400 V, 1 A, SMA	Diodes Inc	ES1G-13-F
D3	1	Diode, Ultrafast, 100 V, 0.15 A, SOD-123	Diodes Inc.	1N4148W-7-F
D4	1	Diode Zener, 110 V, 500 mW, SOD123	ON Semiconductor	MMSZ5272BT3G
D5	1	Diode, Switching-Bridge, 600V, 0.8A, MiniDIP	Diodes Inc.	HD06-T
D9	1	Diode, Zener, 15 V, 500 mW, SOD-123	Diodes Inc.	MMSZ5245B-7-F
D12	1	Diode, P-N, 1000 V, 1 A, 3.9 x 1.7 x 1.8 mm	Comchip Technology	CGRM4007-G
F1	1	Fuse, 500 mA, 125 V, 6125, slow SST	Bel Fuse Inc	SST 500
L1	1	Inductor 4700 µH, 0.13 A, radial	TDK Corporation	TSL0808RA-472JR13-PF
L2	1	Inductor, 10 mH, 0.173 A, radial	CoilCraft	RFB1010-103L
Q1, Q2	2	MOSFET N-channel, 400 V, 1.8 A, SOT-223	ST Microelectronics	STN3N40K3
R1	1	Resistor, 274 kΩ, 1%, 0.125 W, 0805	Vishay-Dale	CRCW0805274KFKEA
R2, R8	2	Resistor, 200 kΩ, 1%, 0.25 W, 1206	Vishay-Dale	CRCW1206200KFKEA
R3	1	Resistor, 10 kΩ, 1%, 1W, 2512	Vishay Dale	CRCW251210K0FKEG
R4	1	Resistor, 499 kΩ, 1%, 0.125 W, 0805	Vishay-Dale	CRCW0805499KFKEA
R5, R13	2	Resistor, 0 Ω, 5%, 0.25 W, 1206	Vishay-Dale	CRCW12060000Z0EA
R6	1	Resistor, 332 Ω, 1 W, 1%, 2512, SMD	Vishay Dale	CRCW2512332RFKEG
R7	1	Resistor, 30.1 kΩ, 1%, 0.125 W, 0805	Vishay-Dale	CRCW080530K1FKEA
R9	1	Resistor, 287 kΩ, 1%, 0.25 W, 1206	Vishay-Dale	CRCW1206287KFKEA
R10	1	Resistor, 100 Ω, 1%, 0.1 W, 0603	Vishay-Dale	CRCW0603100RFKEA
R11	1	Resistor, 0 Ω, 5%, 0.125 W, 0805	Vishay-Dale	CRCW08050000Z0EA
R12	1	Resistor, 1.00 kΩ, 1%, 0.125 W, 0805	Vishay-Dale	CRCW08051K00FKEA
R14, R18	2	Resistor, 806 kΩ, 1%, 0.125 W, 0805	Vishay-Dale	CRCW0805806KFKEA
R15, R16	2	Resistor, 3.32 Ω, 1%, 0.125 W, 0805	Vishay-Dale	CRCW08053R32FKEA
R17	1	Resistor, 374 Ω, 1%, 0.125 W, 0805	Vishay-Dale	CRCW0805374RFKEA
R19	1	Resistor, 7.15 kΩ, 1%, 0.125 W, 0805	Vishay-Dale	CRCW08057K15FKEA
RV1	1	Varistor, 200 V, 600 A, 5mm, radial, TH	Panasonic	ERZ-V05D201

REF DES	QTY	DESCRIPTION	MANUFACTURER	PART NUMBER
HARDWARE FOR EVM				
H1, H2, H3, H4	4	Machine Screw, Round, #4-40 x 1/4, Nylon	B&F Fastener	NY PMS 440 0025 PH
H5, H6, H7, H8	4	Standoff, Hex, 0.5"L #4-40 Nylon	Keystone	1902C
H15	1	RTV167 Adhesive Sealant	Momentive	RTV167
J2, J3, J4, J6	4	Jumper 300mil spacing, Orange, 200 pc	3M	923345-03-C
J1, J5	2	Conn Term Block, 2POS, 5.08 mm PCB	Würth Electronics	691212710002

Appendix A Detailed Test Setup and Test Data

A.1 Connection Snap-Shot



Remove the dimmer for a non-dimming setup.

Figure 19. Suggested Dimming Connection

A.2 Table Data – Boost Configuration

Table 3. Test Data Approximately 215-V LED Load

V_{IN} (Vrms)	I_{IN} (mA _{rms})	P_{IN} (W)	PF	% THD	V_{OUT} (Vdc)	I_{OUT} (mA _{dc})	P_{OUT} Meas (W)	P_{OUT} Eff (%)
90	73.88	6.562	0.9887	8.9	213.61	27.30	5.83	88.87
95	78.55	7.337	0.9891	8.6	214.54	30.74	6.59	89.89
100	83.34	8.236	0.9893	8.2	215.2	34.47	7.42	90.07
105	88.06	9.138	0.9896	8.0	215.63	38.36	8.27	90.52
110	92.79	10.087	0.9898	7.7	215.88	42.49	9.17	90.94
115	97.62	11.103	0.9900	7.5	216.05	46.91	10.13	91.28
120	102.37	12.150	0.9901	7.3	215.88	54.54	11.13	91.58
125	102.73	12.476	0.9734	13.2	215.60	53.11	11.45	91.78
130	101.9	12.523	0.9464	19.0	215.35	53.47	11.51	91.95
135	98.73	12.176	0.9149	24.2	215.07	52.20	11.23	92.20

Table 4. Test Data: Forward Phase Dimmer – Leviton 6683

Forward Phase Dimmer – Leviton 6683				
LED Voltage (No dimmer)			215.46	V_{RMS}
LED Current (No dimmer)			51.65	mA
INPUT VOLTAGE (V_{RMS})	INPUT POWER (W)	OUTPUT VOLTAGE (V)	LED CURRENT (mA)	LED CURRENT (% OF MAX)
119	11.99	215.5	50.80	98.35
110	10.51	214.7	44.16	85.50
100	8.74	214.0	36.45	70.57
90	7.06	213.6	29.14	56.42
80	5.57	213.0	22.63	43.81
70	4.28	212.1	16.98	32.88
60	3.16	211.1	12.01	23.25
50	2.22	209.9	7.86	15.22
40	1.44	208.2	4.38	8.48
30	0.81	205.4	1.64	3.18
21	0.42	195.1	0.07	0.14

Table 5. Test Data: Reverse Phase Dimmer – Lutron Diva 303P

Reverse Phase Dimmer – Lutron Diva 303P				
LED Voltage (No dimmer)			215.46	V_{RMS}
LED Current (No dimmer)			51.65	mA
INPUT VOLTAGE (V_{RMS})	INPUT POWER (W)	OUTPUT VOLTAGE (V)	LED CURRENT (mA)	LED CURRENT (% OF MAX)
112	10.80	215.7	45.54	88.17
110	10.42	215.3	43.92	85.03
101	8.82	214.4	37.01	71.66
90	6.99	213.7	28.99	56.13
81	5.71	213.2	23.37	45.25
70	4.22	212.0	16.88	32.68
59	3.06	210.8	11.81	22.87
51	2.22	209.8	8.17	15.82
39	1.28	207.4	4.06	7.86
29	0.68	204.4	1.44	2.79
28	0.61	204.5	1.14	2.21

Table 6. Test Data: Electronic Dimmer – Lutron Maestro MAW-600H-LA

Lutron Maestro MAW-600H-LA				
LED Voltage (No dimmer)			215.46	V_{RMS}
LED Current (No dimmer)			51.65	mA
INPUT VOLTAGE (V_{RMS})	INPUT POWER (W)	OUTPUT VOLTAGE (V)	LED CURRENT (mA)	LED CURRENT (% OF MAX)
115	11.42	217.8	47.39	91.75
110	10.44	216.7	42.71	82.69
99	8.72	215.3	34.99	67.74
89	7.05	214.3	27.66	53.55
79	5.57	213.4	21.26	41.16
71	4.56	212.6	16.91	32.74
58	3.08	211.1	10.67	20.66
49	2.00	209.7	6.89	13.34
39	1.28	207.8	3.74	7.24
31	0.81	205.7	1.78	3.45

Appendix B Layout Considerations

B.1 Hysteretic Boost Converter Layout

Take special care when routing high di/dt and dv/dt traces in order to minimize the conducted and radiated EMI signature generated by the hysteretic boost converter circuit. A tight loop between the input capacitor, boost inductor and rectifying diode is recommended to minimize radiated EMI and prevent ground voltage difference (ground bounce). Please refer to the EVM layout, [Figure 17](#) for further details.

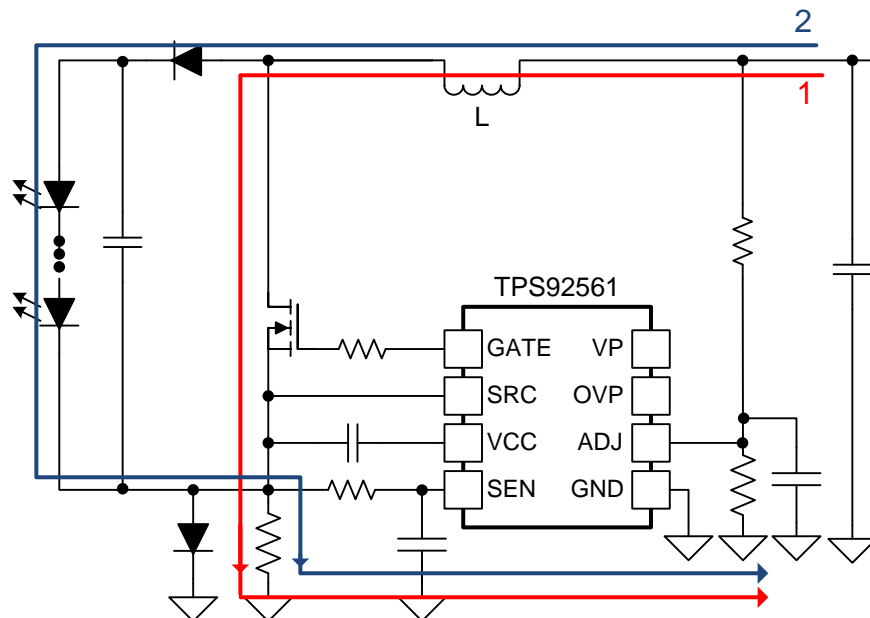


Figure 20. Critical Current Paths in Boost Topology

B.2 Current Sense Circuit Layout

A low-pass RC filter is used to attenuate switching noise from affecting the current sense operation. To be effective, the filter resistor, R12 and capacitor, C12 (refer to [Figure 1](#)) are required to be placed close to the device SEN pin (pin 4). The recommended layout is shown in [Figure 21](#).

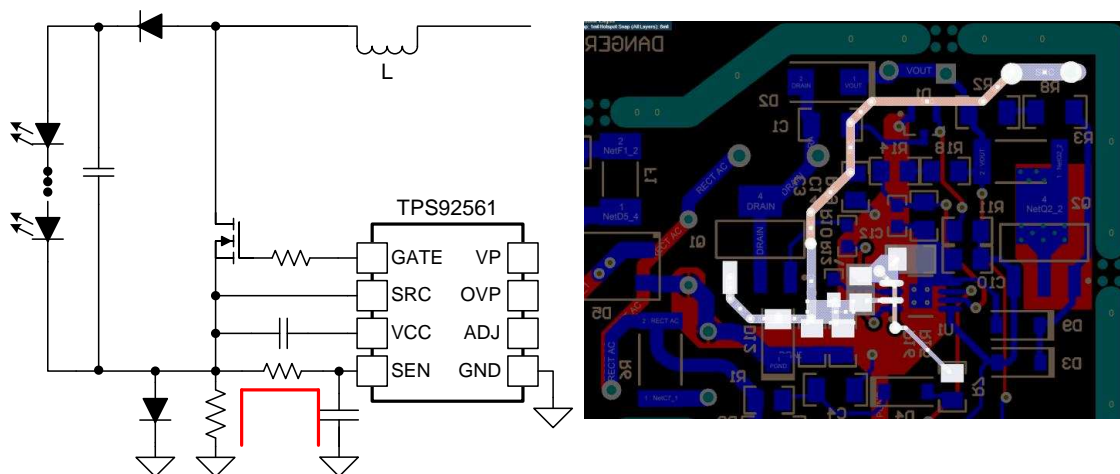


Figure 21. Current Sense Resistor and Filter Layout (Pin 4: SEN of TPS92561)

B.3 Gate-Drive Output and Switching MOSFET Layout

An external resistor is recommended to limit the interference between the noise generated by internal gate driver circuit and other sensitive nodes of the device. The placement of resistor close to GATE pin is recommended for maximum effectiveness, as shown in Figure 22.

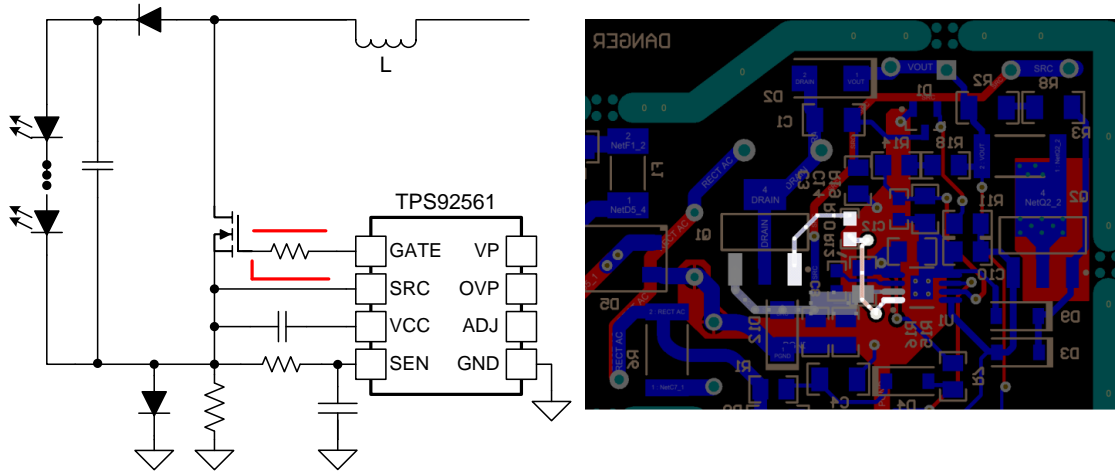


Figure 22. Gate Drive Output Circuit (Pin 1: GATE of TPS92561)

Appendix C EVM Circuit Options Used

C.1 Charge Pump Linear Assist

The TPS92561 data sheet describes methods to provide power to the IC. The method selected for this EVM uses the 'Linear regulator from output' method, deriving the IC bias voltage from the converter output. This causes a larger loss in the linear circuitry but provides performance advantages including: a more consistent turn off and a VP voltage with less variation when dimming. To gain some of the efficiency loss back, a charge pump is used (C1 and D1), as shown in [Figure 1](#), to assist the main linear regulator (Q2, D9, R2, R3, R8) by transferring charge to the bias circuit using a method that incurs lower losses than if it were derived from the linear regulator directly.

If the value of C1 is too high, the increase in associated switching losses in Q1 will not offset the gains made by reducing the current draw through the linear. An optimal operation point is reached when the voltage provided by the charge pump is just slightly higher than the voltage generated by the linear circuitry. As a good starting point to selecting the C1 value, we consider the current capability of the capacitance circuit and the current requirements of the IC. The IC uses approximately 1 mA plus the additional current required to switch the main FET ($Q_g \times f_{sw}$). The C1 capacitor can provide a current based on the capacitance value, the voltage across the capacitor and the frequency of operation:

$$C \times V_{LED} \times f_{sw} \tag{1}$$

By combining the terms and solving for C1 we obtain:

$$C1 = \frac{1 \text{ mA} + (Q_g \times f_{sw})}{V_{LED} \times f_{sw}} \tag{2}$$

After a capacitance value is obtained, some fine tuning under typical operating conditions should be considered as several factors affect the circuit performance including: exact LED voltage, VP bias voltage (Zener voltage and FET V_{GS} voltage), main FET gate charge requirements, and the variability of the converter switching frequency. In general the addition of the charge pump circuit can increase the converter efficiency 1% to 2% when compared to the linear from the output voltage alone. The highest possible efficiency is still achieved if an auxiliary winding is used to generate the bias voltage.

C.2 Line Regulation and Peak Power Limit

The EVM reference (ADJ pin voltage) is generated by dividing down the rectified AC voltage. This is a very simple method of generating the converter reference, but it also means the reference will change if the line voltage changes. When considering an LED bulb design for the US or Canadian market, long-term operation at input voltages that vary greatly from the nominal are not always considered. A simple means to ensure the LED heat sink temperature will remain controlled is to add this power limiting/line regulation circuit (R1, R7, D4, C4).

We can first estimate the voltage change at the ADJ pin (our reference voltage) based on the line change and consider an example for a line change from 120 to 132 VAC.

$$\Delta V_{\text{rectAC}} = (132 - 120) \times \sqrt{2} \times .638 = 10.8 \text{ V} \quad (3)$$

Equation 3 gives us the average change in the average rectified AC voltage of approximately 10.8 V. We can apply this to our divider based on R9 and R17:

$$\Delta V_{\text{ADJ}} = \frac{10.8 \times R17}{R9 + R17} \approx 140 \text{ mV} \quad (4)$$

The Zener was selected as 110 V based on the average rectified AC voltage for 120 VAC of 108 V.

Next we can design our compensation circuit to apply that same voltage offset when the average rectified AC voltage increases. Based on the circuit designators R1, D4, R7, R12 and the combination of R15 and R16 we can solve for the series resistance required to provide the current required to apply an offset voltage equal to the amount change due to the line. A simplified expression can be used:

$$R_{\text{total}} = \frac{(V_{\text{high_line}} \times 0.9) - V_z}{\Delta V_{\text{ADJ}} \div R12} = 586 \text{ k}\Omega \quad (5)$$

Equation 5 represents the total resistance of R1 + R7. The resistance should be split with a heavy bias to R1 limiting the voltage ripple on C4. After the circuit is in place, a few tests should be completed to allow fine tuning of the resistance values. This simplified approach did not account for the smaller variation from the conversion itself (given that the converter is controlling the input current, not the output current by the relationship:

$$V_{\text{in}} \times I_{\text{in}} = \frac{V_{\text{out}} \times I_{\text{out}}}{n} \quad (6)$$

Revision History

Changes from Original (December 2013) to A Revision	Page
• Added a graph for Radiated EMI section	13
• Added link to Figure 1 reference	23
• Added Appendix C for EVM Circuit Options Used	23

NOTE: Page numbers for previous revisions may differ from page numbers in the current version.

EVALUATION BOARD/KIT/MODULE (EVM) ADDITIONAL TERMS

Texas Instruments (TI) provides the enclosed Evaluation Board/Kit/Module (EVM) under the following conditions:

The user assumes all responsibility and liability for proper and safe handling of the goods. Further, the user indemnifies TI from all claims arising from the handling or use of the goods.

Should this evaluation board/kit not meet the specifications indicated in the User's Guide, the board/kit may be returned within 30 days from the date of delivery for a full refund. THE FOREGOING LIMITED WARRANTY IS THE EXCLUSIVE WARRANTY MADE BY SELLER TO BUYER AND IS IN LIEU OF ALL OTHER WARRANTIES, EXPRESSED, IMPLIED, OR STATUTORY, INCLUDING ANY WARRANTY OF MERCHANTABILITY OR FITNESS FOR ANY PARTICULAR PURPOSE. EXCEPT TO THE EXTENT OF THE INDEMNITY SET FORTH ABOVE, NEITHER PARTY SHALL BE LIABLE TO THE OTHER FOR ANY INDIRECT, SPECIAL, INCIDENTAL, OR CONSEQUENTIAL DAMAGES.

Please read the User's Guide and, specifically, the Warnings and Restrictions notice in the User's Guide prior to handling the product. This notice contains important safety information about temperatures and voltages. For additional information on TI's environmental and/or safety programs, please visit www.ti.com/esh or contact TI.

No license is granted under any patent right or other intellectual property right of TI covering or relating to any machine, process, or combination in which such TI products or services might be or are used. TI currently deals with a variety of customers for products, and therefore our arrangement with the user is not exclusive. TI assumes no liability for applications assistance, customer product design, software performance, or infringement of patents or services described herein.

REGULATORY COMPLIANCE INFORMATION

As noted in the EVM User's Guide and/or EVM itself, this EVM and/or accompanying hardware may or may not be subject to the Federal Communications Commission (FCC) and Industry Canada (IC) rules.

For EVMs **not** subject to the above rules, this evaluation board/kit/module is intended for use for ENGINEERING DEVELOPMENT, DEMONSTRATION OR EVALUATION PURPOSES ONLY and is not considered by TI to be a finished end product fit for general consumer use. It generates, uses, and can radiate radio frequency energy and has not been tested for compliance with the limits of computing devices pursuant to part 15 of FCC or ICES-003 rules, which are designed to provide reasonable protection against radio frequency interference. Operation of the equipment may cause interference with radio communications, in which case the user at his own expense will be required to take whatever measures may be required to correct this interference.

General Statement for EVMs including a radio

User Power/Frequency Use Obligations: This radio is intended for development/professional use only in legally allocated frequency and power limits. Any use of radio frequencies and/or power availability of this EVM and its development application(s) must comply with local laws governing radio spectrum allocation and power limits for this evaluation module. It is the user's sole responsibility to only operate this radio in legally acceptable frequency space and within legally mandated power limitations. Any exceptions to this are strictly prohibited and unauthorized by Texas Instruments unless user has obtained appropriate experimental/development licenses from local regulatory authorities, which is responsibility of user including its acceptable authorization.

For EVMs annotated as FCC – FEDERAL COMMUNICATIONS COMMISSION Part 15 Compliant

Caution

This device complies with part 15 of the FCC Rules. Operation is subject to the following two conditions: (1) This device may not cause harmful interference, and (2) this device must accept any interference received, including interference that may cause undesired operation.

Changes or modifications not expressly approved by the party responsible for compliance could void the user's authority to operate the equipment.

FCC Interference Statement for Class A EVM devices

This equipment has been tested and found to comply with the limits for a Class A digital device, pursuant to part 15 of the FCC Rules. These limits are designed to provide reasonable protection against harmful interference when the equipment is operated in a commercial environment. This equipment generates, uses, and can radiate radio frequency energy and, if not installed and used in accordance with the instruction manual, may cause harmful interference to radio communications. Operation of this equipment in a residential area is likely to cause harmful interference in which case the user will be required to correct the interference at his own expense.

FCC Interference Statement for Class B EVM devices

This equipment has been tested and found to comply with the limits for a Class B digital device, pursuant to part 15 of the FCC Rules. These limits are designed to provide reasonable protection against harmful interference in a residential installation. This equipment generates, uses and can radiate radio frequency energy and, if not installed and used in accordance with the instructions, may cause harmful interference to radio communications. However, there is no guarantee that interference will not occur in a particular installation. If this equipment does cause harmful interference to radio or television reception, which can be determined by turning the equipment off and on, the user is encouraged to try to correct the interference by one or more of the following measures:

- Reorient or relocate the receiving antenna.
- Increase the separation between the equipment and receiver.
- Connect the equipment into an outlet on a circuit different from that to which the receiver is connected.
- Consult the dealer or an experienced radio/TV technician for help.

For EVMs annotated as IC – INDUSTRY CANADA Compliant

This Class A or B digital apparatus complies with Canadian ICES-003.

Changes or modifications not expressly approved by the party responsible for compliance could void the user's authority to operate the equipment.

Concerning EVMs including radio transmitters

This device complies with Industry Canada licence-exempt RSS standard(s). Operation is subject to the following two conditions: (1) this device may not cause interference, and (2) this device must accept any interference, including interference that may cause undesired operation of the device.

Concerning EVMs including detachable antennas

Under Industry Canada regulations, this radio transmitter may only operate using an antenna of a type and maximum (or lesser) gain approved for the transmitter by Industry Canada. To reduce potential radio interference to other users, the antenna type and its gain should be so chosen that the equivalent isotropically radiated power (e.i.r.p.) is not more than that necessary for successful communication.

This radio transmitter has been approved by Industry Canada to operate with the antenna types listed in the user guide with the maximum permissible gain and required antenna impedance for each antenna type indicated. Antenna types not included in this list, having a gain greater than the maximum gain indicated for that type, are strictly prohibited for use with this device.

Cet appareil numérique de la classe A ou B est conforme à la norme NMB-003 du Canada.

Les changements ou les modifications pas expressément approuvés par la partie responsable de la conformité ont pu vider l'autorité de l'utilisateur pour actionner l'équipement.

Concernant les EVMs avec appareils radio

Le présent appareil est conforme aux CNR d'Industrie Canada applicables aux appareils radio exempts de licence. L'exploitation est autorisée aux deux conditions suivantes : (1) l'appareil ne doit pas produire de brouillage, et (2) l'utilisateur de l'appareil doit accepter tout brouillage radioélectrique subi, même si le brouillage est susceptible d'en compromettre le fonctionnement.

Concernant les EVMs avec antennes détachables

Conformément à la réglementation d'Industrie Canada, le présent émetteur radio peut fonctionner avec une antenne d'un type et d'un gain maximal (ou inférieur) approuvé pour l'émetteur par Industrie Canada. Dans le but de réduire les risques de brouillage radioélectrique à l'intention des autres utilisateurs, il faut choisir le type d'antenne et son gain de sorte que la puissance isotrope rayonnée équivalente (p.i.r.e.) ne dépasse pas l'intensité nécessaire à l'établissement d'une communication satisfaisante.

Le présent émetteur radio a été approuvé par Industrie Canada pour fonctionner avec les types d'antenne énumérés dans le manuel d'usage et ayant un gain admissible maximal et l'impédance requise pour chaque type d'antenne. Les types d'antenne non inclus dans cette liste, ou dont le gain est supérieur au gain maximal indiqué, sont strictement interdits pour l'exploitation de l'émetteur.

【Important Notice for Users of EVMs for RF Products in Japan】

This development kit is NOT certified as Confirming to Technical Regulations of Radio Law of Japan

If you use this product in Japan, you are required by Radio Law of Japan to follow the instructions below with respect to this product:

1. Use this product in a shielded room or any other test facility as defined in the notification #173 issued by Ministry of Internal Affairs and Communications on March 28, 2006, based on Sub-section 1.1 of Article 6 of the Ministry's Rule for Enforcement of Radio Law of Japan,
2. Use this product only after you obtained the license of Test Radio Station as provided in Radio Law of Japan with respect to this product, or
3. Use of this product only after you obtained the Technical Regulations Conformity Certification as provided in Radio Law of Japan with respect to this product. Also, please do not transfer this product, unless you give the same notice above to the transferee. Please note that if you could not follow the instructions above, you will be subject to penalties of Radio Law of Japan.

Texas Instruments Japan Limited
(address) 24-1, Nishi-Shinjuku 6 chome, Shinjuku-ku, Tokyo, Japan

<http://www.tij.co.jp>

【無線電波を送信する製品の開発キットをお使いになる際の注意事項】

本開発キットは技術基準適合証明を受けておりません。

本製品のご使用に際しては、電波法遵守のため、以下のいずれかの措置を取っていただく必要がありますのでご注意ください。

1. 電波法施行規則第6条第1項第1号に基づく平成18年3月28日総務省告示第173号で定められた電波暗室等の試験設備でご使用いただく。
2. 実験局の免許を取得後ご使用いただく。
3. 技術基準適合証明を取得後ご使用いただく。

なお、本製品は、上記の「ご使用にあたっての注意」を譲渡先、移転先に通知しない限り、譲渡、移転できないものとします。

上記を遵守頂けない場合は、電波法の罰則が適用される可能性があることをご留意ください。

日本テキサス・インスツルメンツ株式会社

東京都新宿区西新宿 6 丁目 2 4 番 1 号

西新宿三井ビル

<http://www.tij.co.jp>

EVALUATION BOARD/KIT/MODULE (EVM) WARNINGS, RESTRICTIONS AND DISCLAIMERS

For Feasibility Evaluation Only, in Laboratory/Development Environments. Unless otherwise indicated, this EVM is not a finished electrical equipment and not intended for consumer use. It is intended solely for use for preliminary feasibility evaluation in laboratory/development environments by technically qualified electronics experts who are familiar with the dangers and application risks associated with handling electrical mechanical components, systems and subsystems. It should not be used as all or part of a finished end product.

Your Sole Responsibility and Risk. You acknowledge, represent and agree that:

1. You have unique knowledge concerning Federal, State and local regulatory requirements (including but not limited to Food and Drug Administration regulations, if applicable) which relate to your products and which relate to your use (and/or that of your employees, affiliates, contractors or designees) of the EVM for evaluation, testing and other purposes.
2. You have full and exclusive responsibility to assure the safety and compliance of your products with all such laws and other applicable regulatory requirements, and also to assure the safety of any activities to be conducted by you and/or your employees, affiliates, contractors or designees, using the EVM. Further, you are responsible to assure that any interfaces (electronic and/or mechanical) between the EVM and any human body are designed with suitable isolation and means to safely limit accessible leakage currents to minimize the risk of electrical shock hazard.
3. Since the EVM is not a completed product, it may not meet all applicable regulatory and safety compliance standards (such as UL, CSA, VDE, CE, RoHS and WEEE) which may normally be associated with similar items. You assume full responsibility to determine and/or assure compliance with any such standards and related certifications as may be applicable. You will employ reasonable safeguards to ensure that your use of the EVM will not result in any property damage, injury or death, even if the EVM should fail to perform as described or expected.
4. You will take care of proper disposal and recycling of the EVM's electronic components and packing materials.

Certain Instructions. It is important to operate this EVM within TI's recommended specifications and environmental considerations per the user guidelines. Exceeding the specified EVM ratings (including but not limited to input and output voltage, current, power, and environmental ranges) may cause property damage, personal injury or death. If there are questions concerning these ratings please contact a TI field representative prior to connecting interface electronics including input power and intended loads. Any loads applied outside of the specified output range may result in unintended and/or inaccurate operation and/or possible permanent damage to the EVM and/or interface electronics. Please consult the EVM User's Guide prior to connecting any load to the EVM output. If there is uncertainty as to the load specification, please contact a TI field representative. During normal operation, some circuit components may have case temperatures greater than 60°C as long as the input and output are maintained at a normal ambient operating temperature. These components include but are not limited to linear regulators, switching transistors, pass transistors, and current sense resistors which can be identified using the EVM schematic located in the EVM User's Guide. When placing measurement probes near these devices during normal operation, please be aware that these devices may be very warm to the touch. As with all electronic evaluation tools, only qualified personnel knowledgeable in electronic measurement and diagnostics normally found in development environments should use these EVMs.

Agreement to Defend, Indemnify and Hold Harmless. You agree to defend, indemnify and hold TI, its licensors and their representatives harmless from and against any and all claims, damages, losses, expenses, costs and liabilities (collectively, "Claims") arising out of or in connection with any use of the EVM that is not in accordance with the terms of the agreement. This obligation shall apply whether Claims arise under law of tort or contract or any other legal theory, and even if the EVM fails to perform as described or expected.

Safety-Critical or Life-Critical Applications. If you intend to evaluate the components for possible use in safety critical applications (such as life support) where a failure of the TI product would reasonably be expected to cause severe personal injury or death, such as devices which are classified as FDA Class III or similar classification, then you must specifically notify TI of such intent and enter into a separate Assurance and Indemnity Agreement.

Mailing Address: Texas Instruments, Post Office Box 655303, Dallas, Texas 75265
Copyright © 2014, Texas Instruments Incorporated

IMPORTANT NOTICE

Texas Instruments Incorporated and its subsidiaries (TI) reserve the right to make corrections, enhancements, improvements and other changes to its semiconductor products and services per JESD46, latest issue, and to discontinue any product or service per JESD48, latest issue. Buyers should obtain the latest relevant information before placing orders and should verify that such information is current and complete. All semiconductor products (also referred to herein as "components") are sold subject to TI's terms and conditions of sale supplied at the time of order acknowledgment.

TI warrants performance of its components to the specifications applicable at the time of sale, in accordance with the warranty in TI's terms and conditions of sale of semiconductor products. Testing and other quality control techniques are used to the extent TI deems necessary to support this warranty. Except where mandated by applicable law, testing of all parameters of each component is not necessarily performed.

TI assumes no liability for applications assistance or the design of Buyers' products. Buyers are responsible for their products and applications using TI components. To minimize the risks associated with Buyers' products and applications, Buyers should provide adequate design and operating safeguards.

TI does not warrant or represent that any license, either express or implied, is granted under any patent right, copyright, mask work right, or other intellectual property right relating to any combination, machine, or process in which TI components or services are used. Information published by TI regarding third-party products or services does not constitute a license to use such products or services or a warranty or endorsement thereof. Use of such information may require a license from a third party under the patents or other intellectual property of the third party, or a license from TI under the patents or other intellectual property of TI.

Reproduction of significant portions of TI information in TI data books or data sheets is permissible only if reproduction is without alteration and is accompanied by all associated warranties, conditions, limitations, and notices. TI is not responsible or liable for such altered documentation. Information of third parties may be subject to additional restrictions.

Resale of TI components or services with statements different from or beyond the parameters stated by TI for that component or service voids all express and any implied warranties for the associated TI component or service and is an unfair and deceptive business practice. TI is not responsible or liable for any such statements.

Buyer acknowledges and agrees that it is solely responsible for compliance with all legal, regulatory and safety-related requirements concerning its products, and any use of TI components in its applications, notwithstanding any applications-related information or support that may be provided by TI. Buyer represents and agrees that it has all the necessary expertise to create and implement safeguards which anticipate dangerous consequences of failures, monitor failures and their consequences, lessen the likelihood of failures that might cause harm and take appropriate remedial actions. Buyer will fully indemnify TI and its representatives against any damages arising out of the use of any TI components in safety-critical applications.

In some cases, TI components may be promoted specifically to facilitate safety-related applications. With such components, TI's goal is to help enable customers to design and create their own end-product solutions that meet applicable functional safety standards and requirements. Nonetheless, such components are subject to these terms.

No TI components are authorized for use in FDA Class III (or similar life-critical medical equipment) unless authorized officers of the parties have executed a special agreement specifically governing such use.

Only those TI components which TI has specifically designated as military grade or "enhanced plastic" are designed and intended for use in military/aerospace applications or environments. Buyer acknowledges and agrees that any military or aerospace use of TI components which have **not** been so designated is solely at the Buyer's risk, and that Buyer is solely responsible for compliance with all legal and regulatory requirements in connection with such use.

TI has specifically designated certain components as meeting ISO/TS16949 requirements, mainly for automotive use. In any case of use of non-designated products, TI will not be responsible for any failure to meet ISO/TS16949.

Products

Audio	www.ti.com/audio
Amplifiers	amplifier.ti.com
Data Converters	dataconverter.ti.com
DLP® Products	www.dlp.com
DSP	dsp.ti.com
Clocks and Timers	www.ti.com/clocks
Interface	interface.ti.com
Logic	logic.ti.com
Power Mgmt	power.ti.com
Microcontrollers	microcontroller.ti.com
RFID	www.ti-rfid.com
OMAP Applications Processors	www.ti.com/omap
Wireless Connectivity	www.ti.com/wirelessconnectivity

Applications

Automotive and Transportation	www.ti.com/automotive
Communications and Telecom	www.ti.com/communications
Computers and Peripherals	www.ti.com/computers
Consumer Electronics	www.ti.com/consumer-apps
Energy and Lighting	www.ti.com/energy
Industrial	www.ti.com/industrial
Medical	www.ti.com/medical
Security	www.ti.com/security
Space, Avionics and Defense	www.ti.com/space-avionics-defense
Video and Imaging	www.ti.com/video

TI E2E Community

e2e.ti.com