

### ABSTRACT

The Texas Instruments LMR51606YEV evaluation module (EVM) helps designers evaluate the operation and performance of the LMR51606 wide-input synchronous buck regulator. This document describes the following:

- Setup
- Input and output connections of the EVM
- Board layout
- Schematic
- Bill of materials

---

### Table of Contents

<b>1 Introduction</b> .....	2
<b>2 Setup</b> .....	2
2.1 Input and Output Connector Description.....	2
2.2 Adjusting the Output Voltage.....	3
<b>3 LMR51606YEV Schematic</b> .....	4
<b>4 Board Layout</b> .....	5
<b>5 Bill of Materials</b> .....	7
<b>6 Revision History</b> .....	8

### List of Figures

Figure 1-1. LMR51606YEV Board.....	2
Figure 2-1. Enable Jumper Setting .....	3
Figure 3-1. LMR51606YEV Schematic.....	4
Figure 4-1. Top Layer.....	5
Figure 4-2. Middle Layer One.....	5
Figure 4-3. Middle Layer Two.....	6
Figure 4-4. Bottom Layer.....	6

### List of Tables

Table 1-1. Device and Package Configurations.....	2
Table 5-1. LMR51610EVM Bill of Materials.....	7

### Trademarks

All trademarks are the property of their respective owners.

## 1 Introduction

The Texas Instruments LMR51606YEVM evaluation module (EVM) helps designers evaluate the operation and performance of the LMR51606 wide-input buck regulator.

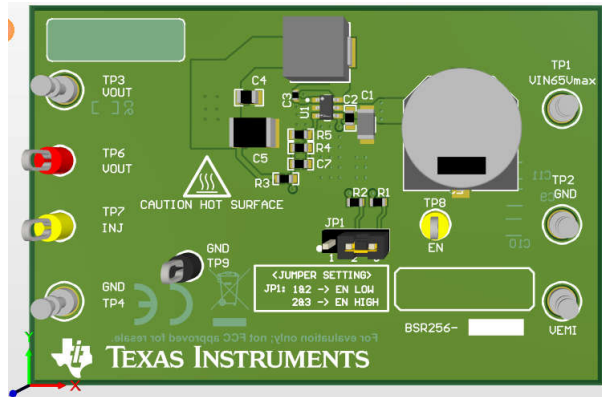


Figure 1-1. LMR51606YEVM Board

### EVM Features

- 4-V to 65-V input voltage range
- Default 3.3-V output
- Up to 0.6-A output current
- 1100-kHZ switching frequency
- Hiccup mode short current protection
- Internal compensation

The EVM contains one DC/DC converter (see [Table 1-1](#)).

Table 1-1. Device and Package Configurations

CONVERTER	EVM	DEVICE	PACKAGE
U1	LMR51606YEVM	LMR51606YDBVR	SOT23-6

## 2 Setup

This section describes the jumpers and connectors on the EVM and how to properly connect, set up, and use the LMR51606YEVM.

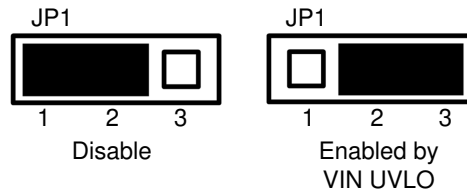
### 2.1 Input and Output Connector Description

**VIN — Terminal TP1** – Power input terminal for the converter. Adjacent to this terminal is the GND reference ground. Use this terminal to attach the EVM to a cable harness.

**VOUT — Terminal TP3** – Regulated output voltage for the converter. Adjacent to this terminal is the GND reference ground.

**GND — Terminal TP2, TP4** – Ground reference for the converter. Use these terminals to attach the EVM to a cable harness.

**ENABLE SETTING — Jumper JP1** – Used to enable the switch-mode converter. The device enables when the EN pin is high, and disabled when low.



**Figure 2-1. Enable Jumper Setting**

**Testpoint — TP6, TP7, TP9**, Test points used for loop response measurements

## 2.2 Adjusting the Output Voltage

If other outputs need to be configured, adjust the feedback resistors using the [Equation 1](#).

$$V_{OUT} = V_{REF} \times (1 + (R4 / R5)) \quad (1)$$

where

- $V_{REF}$  is 0.8 V.

### 3 LMR51606YEVM Schematic

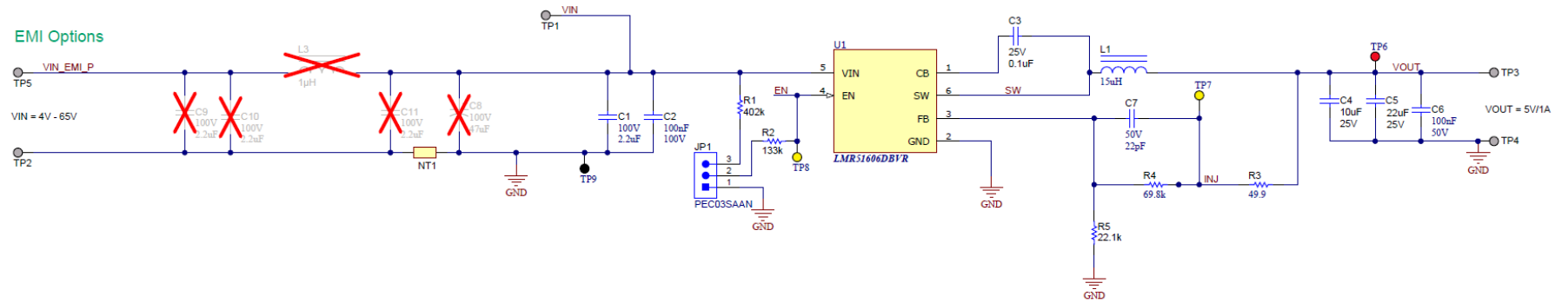


Figure 3-1. LMR51606YEVM Schematic

## 4 Board Layout

Figure 4-1 and Figure 4-4 show the board layout for the LMR51606YEVM. The PCB consists of a 4-layer design. The board size is 46 mm × 69 mm. 2-oz copper planes are applied on top and bottom layers, 1-oz copper planes are applied on middle layers.

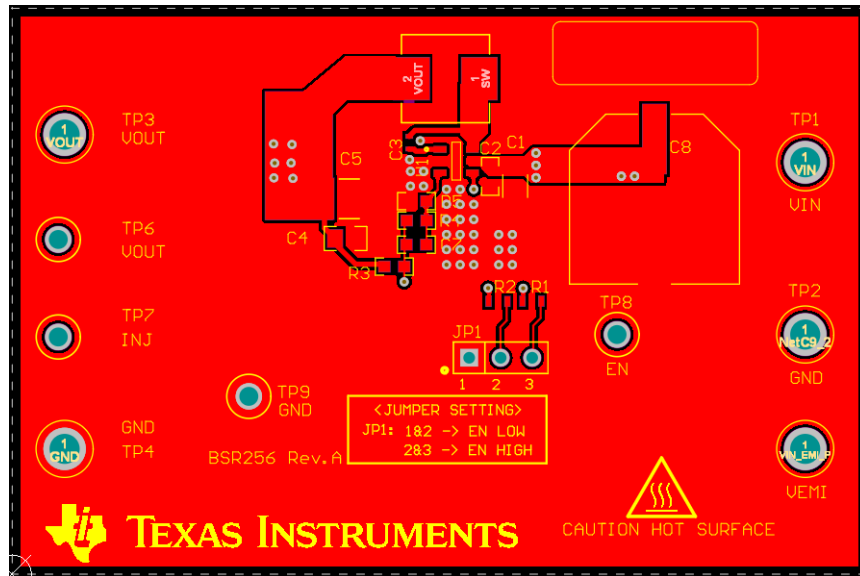


Figure 4-1. Top Layer

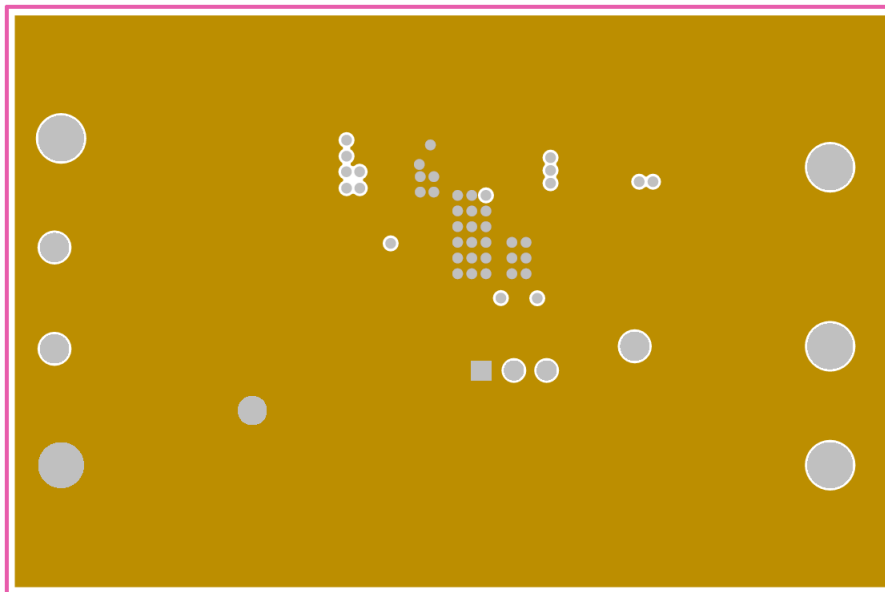
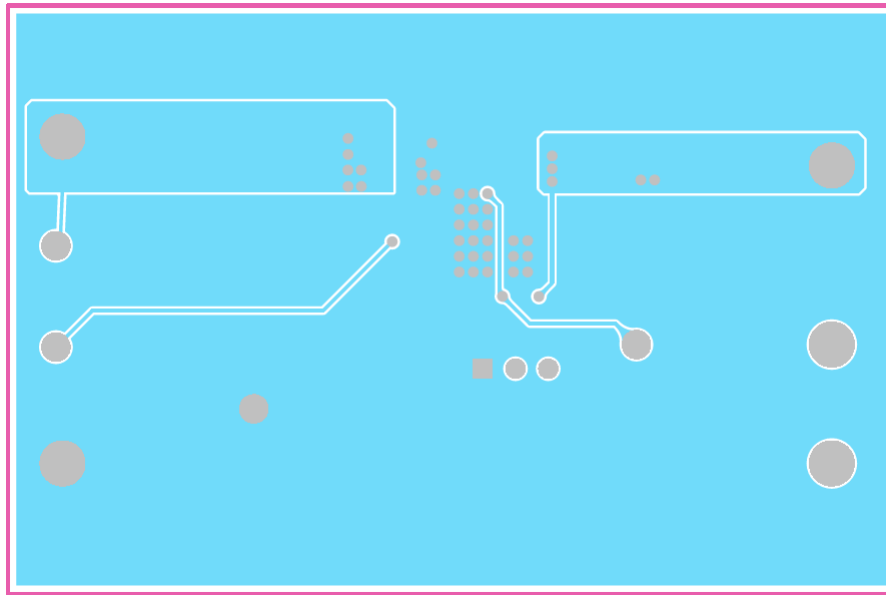
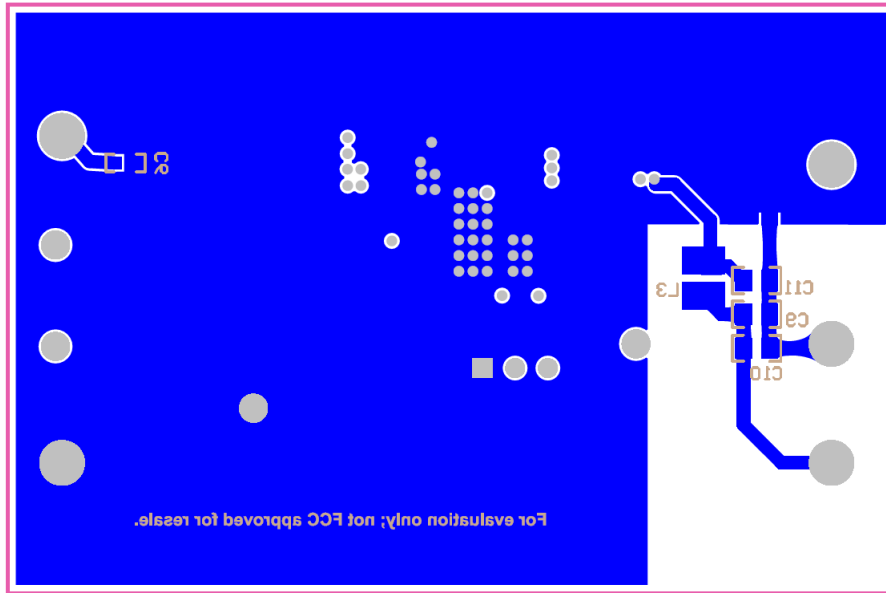


Figure 4-2. Middle Layer One



**Figure 4-3. Middle Layer Two**



**Figure 4-4. Bottom Layer**

## 5 Bill of Materials

**Table 5-1. LMR51610EVM Bill of Materials**

Designator	Quantity	Value	Description	Package Reference	Part Number	Manufacturer
C1	1	2.2µF	CAP, CERM, 2.2µF, 100V, ± 10%, X7S, 1206	1206	C3216X7S2A225K160A B	TDK
C2	1	0.1 µF	CAP, CERM, 0.1µF, 1000V, ±10%, X7R, 0603	0603	C1608X7R1H104K080A A	TDK
C3	1	0.1µF	CAP, CERM, 0.1µF, 25V, ±10%, X7R, 0402	0402	GRM155R71E104KE14 D	MuRata
C4	1	10µF	CAP, CERM, 10µF, 25V, ±10%, X7R, 0805	0805	'GRM21BZ71E106KE15 L	MuRata
C6	1	0.1µF	CAP, CERM, 0.1µF, 50V, ±10%, X7R, 0603	0603	'C1608X7R1H104K080A A	'TDK
JP1	1		Header, 100 mil, 3 × 1, Tin, TH	Header, 3 PIN, 100mil, Tin		
L1	1	15µH	Inductor, Shielded Drum Core, Powdered Iron, 15µH, 2.75A, 0.092 Ω, SMD	7.30 × 4.80 × 6.60mm	74437349150	'Würth Electronics
R1	1	402k	RES, 402k, 1%, 0.1W, 0603	0603	'CRCW0603402KFKEA	'Vishay-Dale
R2	1	133k	RES, 133k, 1%, 0.1W, 0603	0603	'CRCW0603133KFKEA	'Vishay-Dale
R3	1	49.9	RES, 49.9, 1%, 0.1W, 0603	0603	'CRCW060349R9FKEA	'Vishay-Dale
R4	1	69.8k	RES, 69.8k, 1%, 0.1W, 0603	0603	'RT0603DRE0769K8L	'Yageo America
R5	1	22.1k	RES, 22.1k, 1%, 0.1W, 0603	0603	'RC0603FR-0722K1L	'Yageo
SH-J1	1	1x2	Shunt, 100 mil, Gold plated, Black	Shunt	'SNT-100-BK-G Alternate '969102-0000- DA	
TP1, TP2, TP3, TP4	4		Terminal, Turret, TH, Double	Keystone1502-2	'1502-2	'Keystone
TP6	1		Test Point, Multipurpose, Red, TH	Red Multipurpose Testpoint	'5010	'Keystone
TP7, TP8	2		Test Point, Multipurpose, Yellow, TH	Yellow Multipurpose Testpoint	'5014	'Keystone
TP9	1		Test Point, Multipurpose, Black, TH	Black Multipurpose Testpoint	'5011	'Keystone
U1	1		LMR51606DBV0006A (SOT-23-6)	DBV0006A	LMR51606YDBVR	Texas Instruments
C5	0	22µF	CAP, CERM, 22µF, 25V, ± 20%, X7R,		CGA8P1X7R1E226M25 0KC	TDK
C7	0	22pF	CAP, CERM, 22pF, 50V, ±5%, C0G/NP0, 0603	0603	'CGA3E2C0G1H220J08 0AA	'TDK
C8	0	47µF	'CAP, AL, 47µF, 100V, ± 20%, 0.42 ohm, SMD	'12.5x13.5	'EEV-TG2A470Q	'Panasonic
C9, C10, C11	0	2.2 µF	CAP, CERM, 2.2µF, 100V, ± 10%, X7S, 1206	1206	'C3216X7S2A225K160A B	'TDK
L3	0	1µH	Inductor, Shielded, Metal Composite, 1µH, 2.9 A, 0.048 Ω, SMD	2 × 1.6 mm	'DFE201612E-1R0M=P Alternate 74479276210C	MuRata, 'Würth Electronics
TP5	0		Terminal, Turret, TH, Double	Keystone1502-2		

## 6 Revision History

NOTE: Page numbers for previous revisions may differ from page numbers in the current version.

<b>Changes from Revision * (August 2023) to Revision A (March 2024)</b>	<b>Page</b>
• Updated Device to LMR51606YDBVR .....	<a href="#">2</a>
• Updated OPN to LMR51606YDBVR .....	<a href="#">7</a>

---



## IMPORTANT NOTICE AND DISCLAIMER

TI PROVIDES TECHNICAL AND RELIABILITY DATA (INCLUDING DATA SHEETS), DESIGN RESOURCES (INCLUDING REFERENCE DESIGNS), APPLICATION OR OTHER DESIGN ADVICE, WEB TOOLS, SAFETY INFORMATION, AND OTHER RESOURCES "AS IS" AND WITH ALL FAULTS, AND DISCLAIMS ALL WARRANTIES, EXPRESS AND IMPLIED, INCLUDING WITHOUT LIMITATION ANY IMPLIED WARRANTIES OF MERCHANTABILITY, FITNESS FOR A PARTICULAR PURPOSE OR NON-INFRINGEMENT OF THIRD PARTY INTELLECTUAL PROPERTY RIGHTS.

These resources are intended for skilled developers designing with TI products. You are solely responsible for (1) selecting the appropriate TI products for your application, (2) designing, validating and testing your application, and (3) ensuring your application meets applicable standards, and any other safety, security, regulatory or other requirements.

These resources are subject to change without notice. TI grants you permission to use these resources only for development of an application that uses the TI products described in the resource. Other reproduction and display of these resources is prohibited. No license is granted to any other TI intellectual property right or to any third party intellectual property right. TI disclaims responsibility for, and you will fully indemnify TI and its representatives against, any claims, damages, costs, losses, and liabilities arising out of your use of these resources.

TI's products are provided subject to [TI's Terms of Sale](#) or other applicable terms available either on [ti.com](https://www.ti.com) or provided in conjunction with such TI products. TI's provision of these resources does not expand or otherwise alter TI's applicable warranties or warranty disclaimers for TI products.

TI objects to and rejects any additional or different terms you may have proposed.

Mailing Address: Texas Instruments, Post Office Box 655303, Dallas, Texas 75265  
Copyright © 2024, Texas Instruments Incorporated