

# TPS54225 Step-Down Converter Evaluation Module User's Guide



## Table of Contents

<b>1 Introduction</b> .....	2
1.1 Background.....	2
1.2 Performance Specification Summary.....	2
1.3 Modifications.....	2
<b>2 Test Setup and Results</b> .....	3
2.1 Input / Output Connections.....	3
2.2 Start-Up Procedure.....	4
2.3 Efficiency.....	4
2.4 Load Regulation.....	5
2.5 Line Regulation.....	5
2.6 Load Transient Response.....	6
2.7 Output Voltage Ripple.....	6
2.8 Input Voltage Ripple.....	7
2.9 Start Up.....	7
2.10 Switching Frequency.....	8
<b>3 Board Layout</b> .....	9
3.1 Layout.....	9
<b>4 Schematic, Bill of Materials and Reference</b> .....	13
4.1 Schematic.....	13
4.2 Bill of Materials.....	13
4.3 Reference.....	13
<b>5 Revision History</b> .....	13

## List of Figures

Figure 2-1. TPS54225EVM-538 Efficiency.....	4
Figure 2-2. TPS54225EVM-538 Load Regulation.....	5
Figure 2-3. TPS54225EVM-538 Line Regulation.....	5
Figure 2-4. TPS54225EVM-538 Load Transient Response.....	6
Figure 2-5. TPS54225EVM-538 Output Voltage Ripple.....	6
Figure 2-6. TPS54225EVM-538 Input Voltage Ripple.....	7
Figure 2-7. TPS54225EVM-538 Start Up.....	7
Figure 2-8. TPS54225EVM-538 Switching Frequency.....	8
Figure 3-1. Top Assembly.....	9
Figure 3-2. Top Layer.....	10
Figure 3-3. Internal Layer 1.....	10
Figure 3-4. Internal Layer 2.....	11
Figure 3-5. Bottom Layer.....	11
Figure 3-6. Bottom Assembly.....	12
Figure 4-1. TPS54225EVM-538 Schematic Diagram.....	13

## List of Tables

Table 1-1. Input Voltage and Output Current Summary.....	2
Table 1-2. TPS54225EVM-538 Performance Specifications Summary.....	2
Table 1-3. Output Voltages.....	3
Table 2-1. Connection and Test Points.....	4
Table 4-1. Bill of Materials.....	13

## Trademarks

D-CAP2™ is a trademark of Texas Instruments.

All trademarks are the property of their respective owners.

## 1 Introduction

This user's guide contains background information for the TPS54225 as well as support documentation for the TPS54225EVM-538 evaluation module. Also included are the performance specifications, schematic and the bill of materials for the TPS54225EVM-538.

### 1.1 Background

The TPS54225 is a single, adaptive on-time D-CAP2™ mode synchronous buck converter requiring a very low external component count. The D-CAP2 control circuit is optimized for low-ESR output capacitors such as POSCAP, SP-CAP, or ceramic types and features fast transient response with no external compensation. The switching frequency is internally set at a nominal 700 kHz. The high-side and low-side switching MOSFETs are incorporated inside the TPS54225 package along with the gate drive circuitry. The low drain-to-source on resistance of the MOSFETs allows the TPS54225 to achieve high efficiencies and helps keep the junction temperature low at high output currents. The TPS54225 DC/DC synchronous converter is designed to provide up to a 2-A output from an input control voltage source of 4.5 V to 18 V and an input power voltage source of 2 V to 18 V. The output voltage range is from 0.76 V to 5.5 V. Rated input voltage and output current range for the evaluation module are given in [Table 1-1](#).

The TPS54225EVM-538 evaluation module is a single synchronous buck converter providing 1.05 V at 2 A from 5-V to 17-V input. This user's guide describes the TPS54225EVM-538 performance.

**Table 1-1. Input Voltage and Output Current Summary**

EVM	INPUT VOLTAGE RANGE	OUTPUT CURRENT RANGE
TPS54225EVM-538	V <sub>IN</sub> = 4.5 V to 17 V	0 A to 2 A

### 1.2 Performance Specification Summary

A summary of the TPS54225EVM-538 performance specifications is provided in [Table 1-2](#). Specifications are given for an input voltage of V<sub>IN</sub> = 12 V and an output voltage of 1.05 V, unless otherwise noted. The ambient temperature is 25°C for all measurement, unless otherwise noted.

**Table 1-2. TPS54225EVM-538 Performance Specifications Summary**

SPECIFICATIONS		TEST CONDITIONS	MIN	TYP	MAX	UNIT
Input voltage range (V <sub>IN</sub> )			4.5	12	17	V
CH1	Output voltage			1.05		V
	Operating frequency	V <sub>IN</sub> = 12 V, I <sub>O</sub> = 1 A		700		kHz
	Output current range		0		2	A
	Over current limit	V <sub>IN</sub> = 12 V		3.1		A
	Output ripple voltage	V <sub>IN</sub> = 12 V, I <sub>O</sub> = 2 A			7	mV <sub>PP</sub>

### 1.3 Modifications

These evaluation modules are designed to provide access to the features of the TPS54225. Some modifications can be made to this module.

#### 1.3.1 Output Voltage Set Point

To change the output voltage of the EVMs, it is necessary to change the value of resistor R1. Changing the value of R1 can change the output voltage above 0.765 V. The value of R1 for a specific output voltage can be calculated using [Equation 1](#) and [Equation 2](#).

For output voltage from 0.76 V to 2.5 V:

$$V_O = 0.765 \times \left( 1 + \frac{R_1}{R_2} \right) \quad (1)$$

For output voltage over 2.5 V:

$$VO = (0.763 + 0.0017 \times VO) \times \left(1 + \frac{R1}{R2}\right) \quad (2)$$

Table 1-3 lists the R1 values for some common output voltages. For higher output voltages, a feedforward capacitor may be required. Pads for this component (C2) are provided on the printed circuit board. C2 is used for faster load transient response and is normally not used. Note that the values given in Table 1-3 are standard values, and not the exact value calculated using Table 1-3.

**Table 1-3. Output Voltages**

OUTPUT VOLTAGE (V)	R1 (kΩ)	R2 (kΩ)	C2 (pF)	L1 (μH)
1.0	6.81	22.1		2.2
1.05	8.25	22.1		2.2
1.2	12.7	22.1		2.2
1.8	30.1	22.1		3.3
2.5	49.9	22.1		3.3
3.3	73.2	22.1	680	3.3
5.0	121	22.1	220	4.7

## 2 Test Setup and Results

This section describes how to properly connect, set up, and use the TPS54225EVM-538. The section also includes test results typical for the evaluation modules and the following:

- Efficiency
- Output load regulation
- Output line regulation
- Load transient response
- Output voltage ripple
- Input voltage ripple
- Start up
- Switching frequency

### 2.1 Input / Output Connections

The TPS54225EVM-538 is provided with input/output connectors and test points as shown in Table 2-1. A power supply capable of supplying 2 A must be connected to J1 through a pair of 20 AWG wires. The load must be connected to J2 through a pair of 20 AWG wires. The maximum load current capability is 2 A. Wire lengths must be minimized to reduce losses in the wires. Test point TP1 provides a place to monitor the  $V_{IN}$  input voltages with TP2 providing a convenient ground reference. TP8 is used to monitor the output voltage with TP9 as the ground reference.

**Table 2-1. Connection and Test Points**

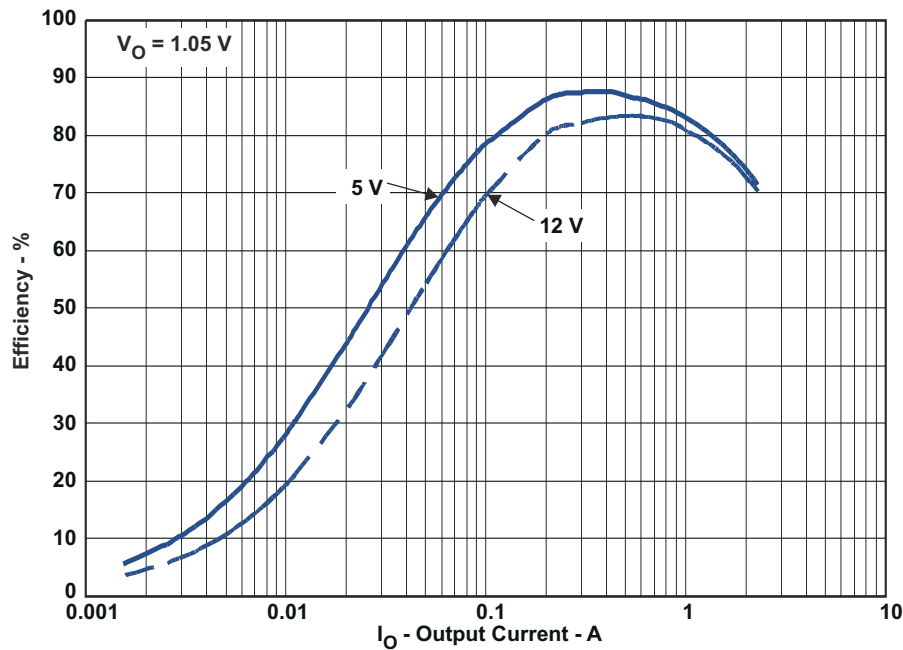
Reference Designator	Function
J1	$V_{IN}$ (see Table 1-1 for $V_{IN}$ range)
J2	$V_{OUT}$ , 1.05 V at 2 A maximum
JP1	EN control. Connect EN to OFF to disable, connect EN to ON to enable.
TP1	$V_{IN}$ test point at $V_{IN}$ connector
TP2	GND test point at $V_{IN}$
TP3	EN test point
TP4	$V_{CC}$ test point
TP5	Analog ground test point
TP6	Switch node test point
TP7	Power good test point
TP8	Output voltage test point
TP9	Ground test point at output connector

## 2.2 Start-Up Procedure

1. Make sure the jumper at JP1 (Enable control) is set from EN to OFF.
2. Apply appropriate  $V_{IN}$  voltage to  $V_{IN}$  and PGND terminals at J1.
3. Move the jumper at JP1 (Enable control) to cover EN and ON. The EVM will enable the output voltage.

## 2.3 Efficiency

Figure 2-1 shows the efficiency for the TPS54225EVM-538 at an ambient temperature of 25°C.


**Figure 2-1. TPS54225EVM-538 Efficiency**

## 2.4 Load Regulation

The load regulation for the TPS54225EVM-538 is shown in Figure 2-2.

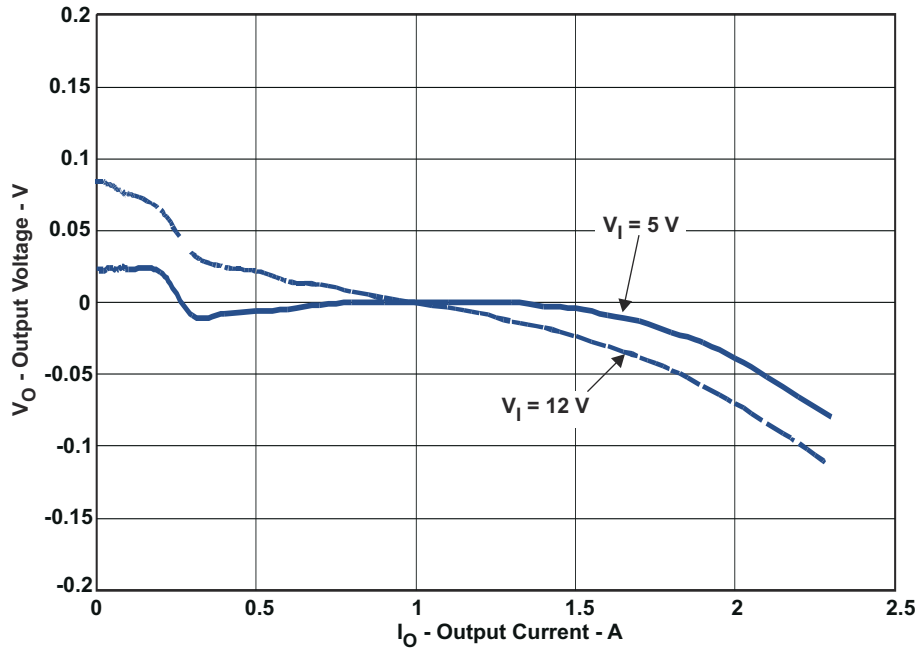


Figure 2-2. TPS54225EVM-538 Load Regulation

## 2.5 Line Regulation

The line regulation for the TPS54225EVM-538 is shown Figure 2-3.

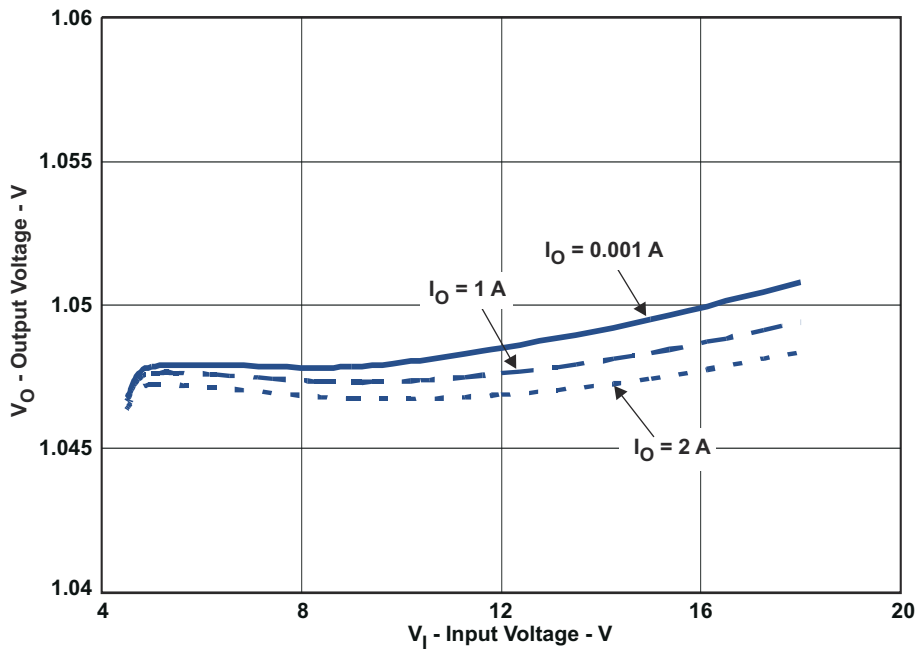
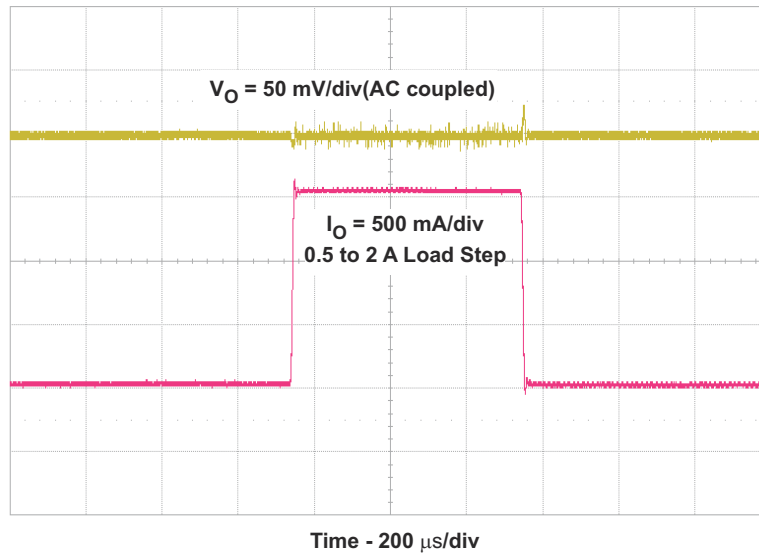


Figure 2-3. TPS54225EVM-538 Line Regulation

## 2.6 Load Transient Response

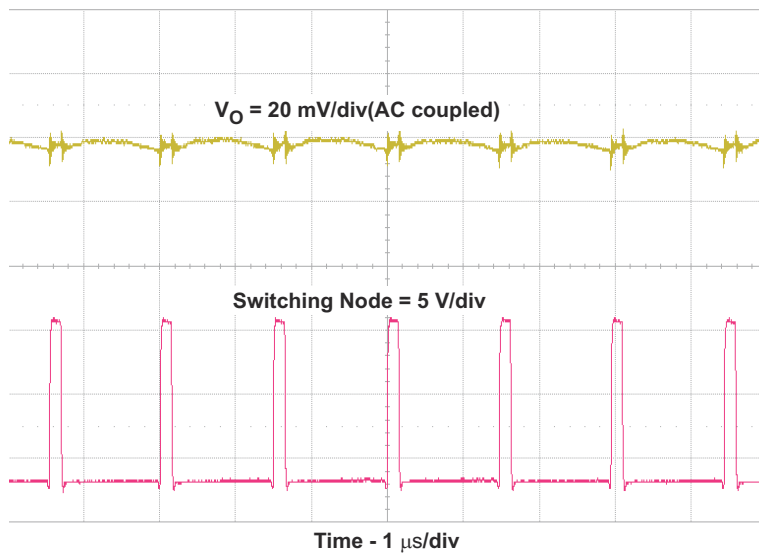
The TPS54225EVM-538 response to load transient is shown in Figure 2-4. The current step is from 0.5 A to 2 A. Total peak to peak voltage variation is as shown.



**Figure 2-4. TPS54225EVM-538 Load Transient Response**

## 2.7 Output Voltage Ripple

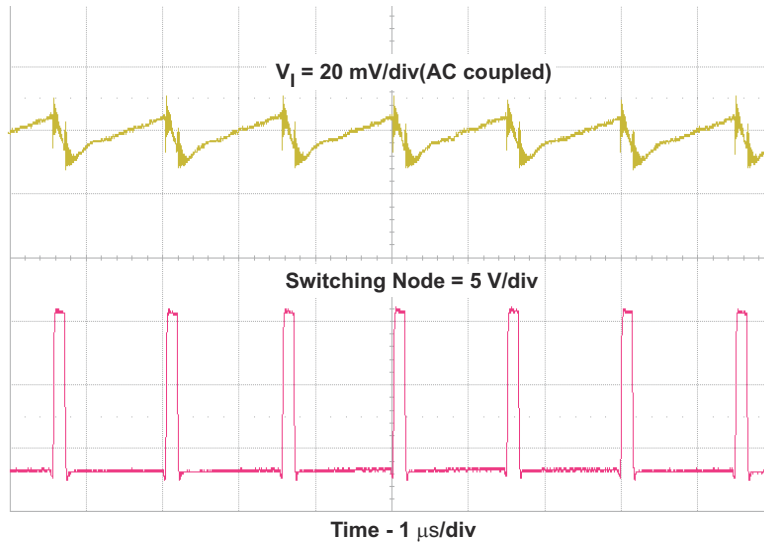
The TPS54225EVM-538 output voltage ripple is shown in Figure 2-5. The output current is the rated full load of 2A.



**Figure 2-5. TPS54225EVM-538 Output Voltage Ripple**

## 2.8 Input Voltage Ripple

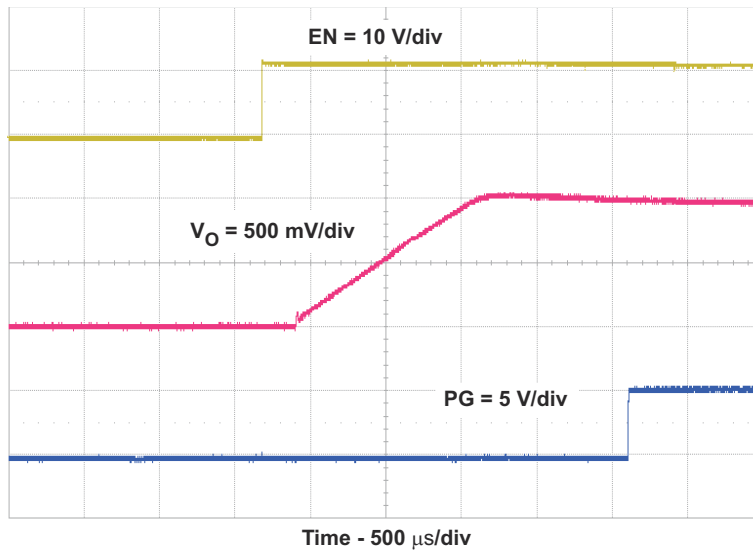
The TPS54225EVM-538 input voltage ripple is shown in [Figure 2-6](#). The output current is the rated full load of 2A.



**Figure 2-6. TPS54225EVM-538 Input Voltage Ripple**

## 2.9 Start Up

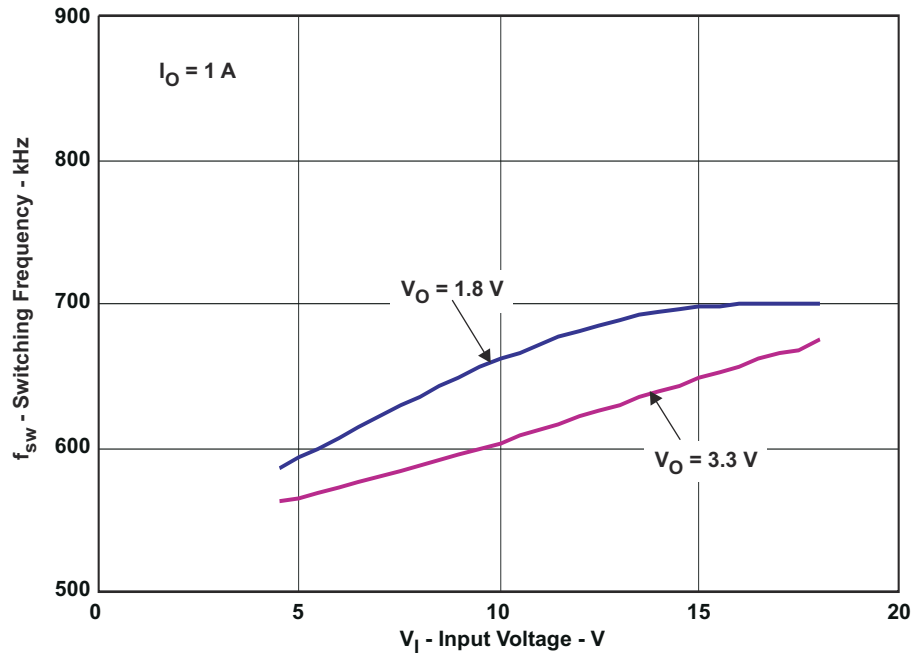
The TPS54225EVM-538 start up waveform is shown in [Figure 2-7](#).



**Figure 2-7. TPS54225EVM-538 Start Up**

## 2.10 Switching Frequency

The TPS54225EVM-538 switching frequency is shown in [Figure 2-8](#).



**Figure 2-8. TPS54225EVM-538 Switching Frequency**



### 3 Board Layout

This section provides description of the TPS54225EVM-538, board layout, and layer illustrations.

#### 3.1 Layout

The board layout for the TPS54225EVM-538 and is shown in [Figure 3-1](#) through [Figure 3-6](#). The top layer contains the main power traces for VIN, VO and ground. Also on the top layer are connections for the pins of the TPS54225 and a large area filled with ground. Many of the signal traces are also located on the top side. The input decoupling capacitors are located as close to the IC as possible. The input and output connectors, test points and most of the components are located on the top side. R3, the 0-Ω resistor that connects VIN to VCC and R4, the power good pull up, are located on the back side. Analog ground and power ground are connected at a single point on the top layer near pin 5 of the TPS54225. The internal layer 1 is a split plane containing analog and power grounds. The internal layer 2 is primarily power ground. There are also a fill area of VIN and a trace routing VCC to the enable control jumper JP1. The bottom layer is primarily analog ground. There are also traces to connect VIN to VCC through R3, traces for the power good signal and the feedback trace from VOUT to the voltage setpoint divider network.

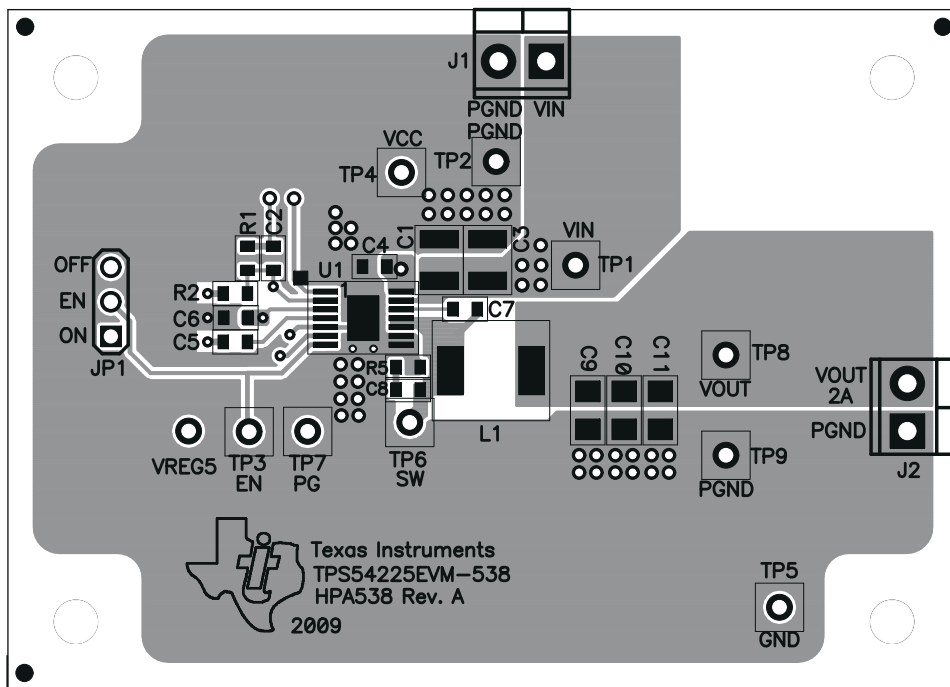


Figure 3-1. Top Assembly

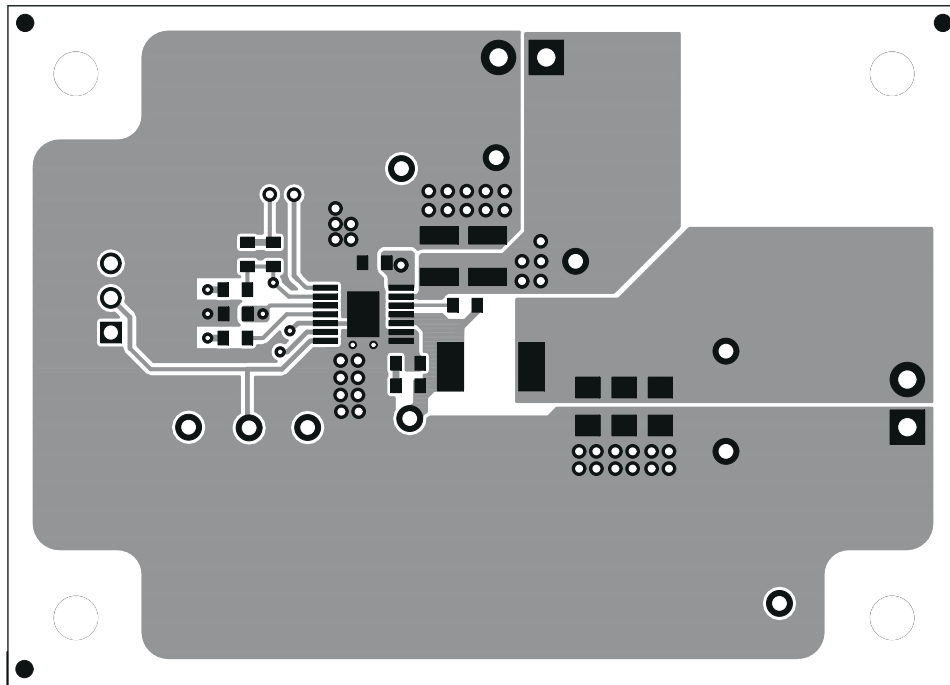


Figure 3-2. Top Layer

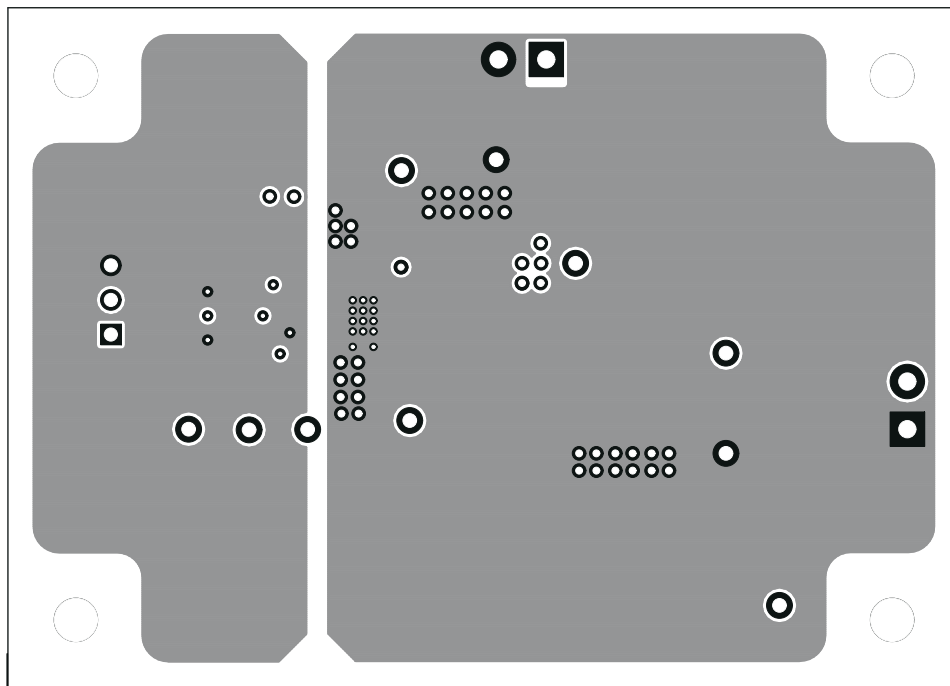


Figure 3-3. Internal Layer 1

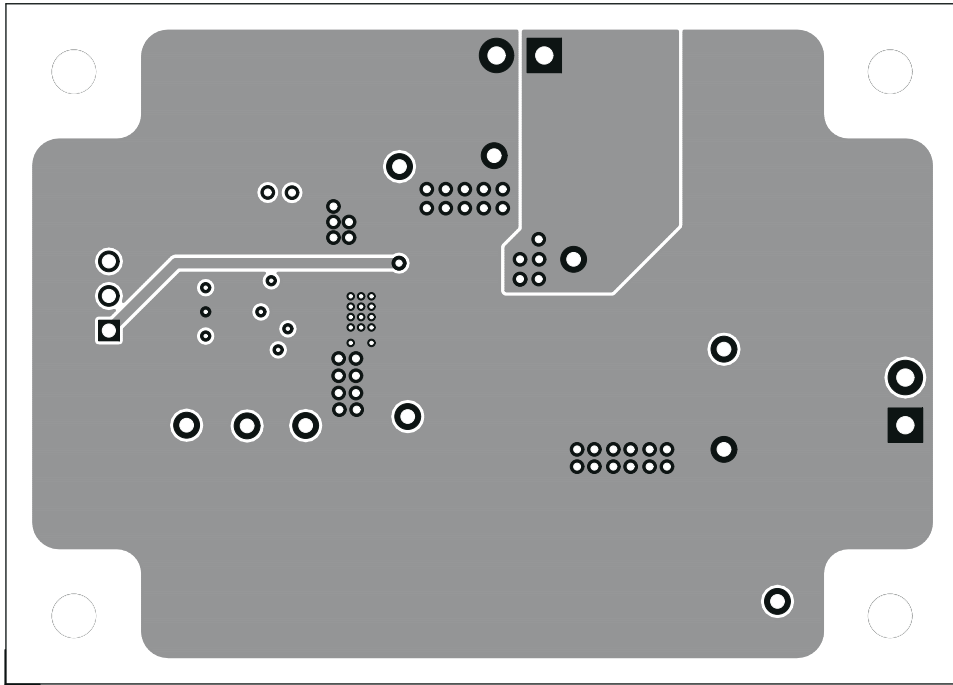


Figure 3-4. Internal Layer 2

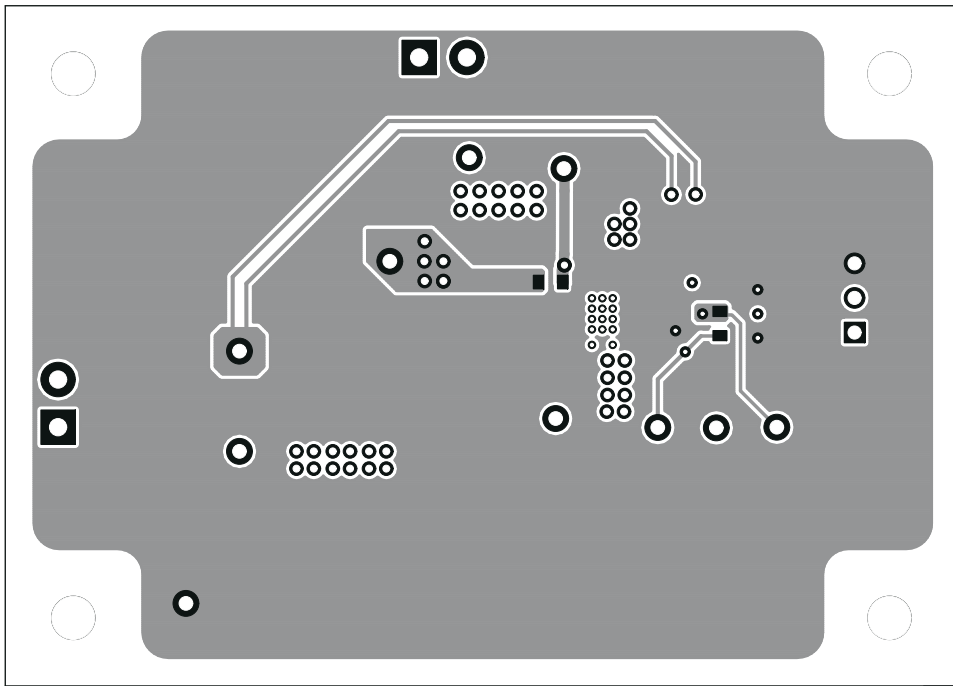
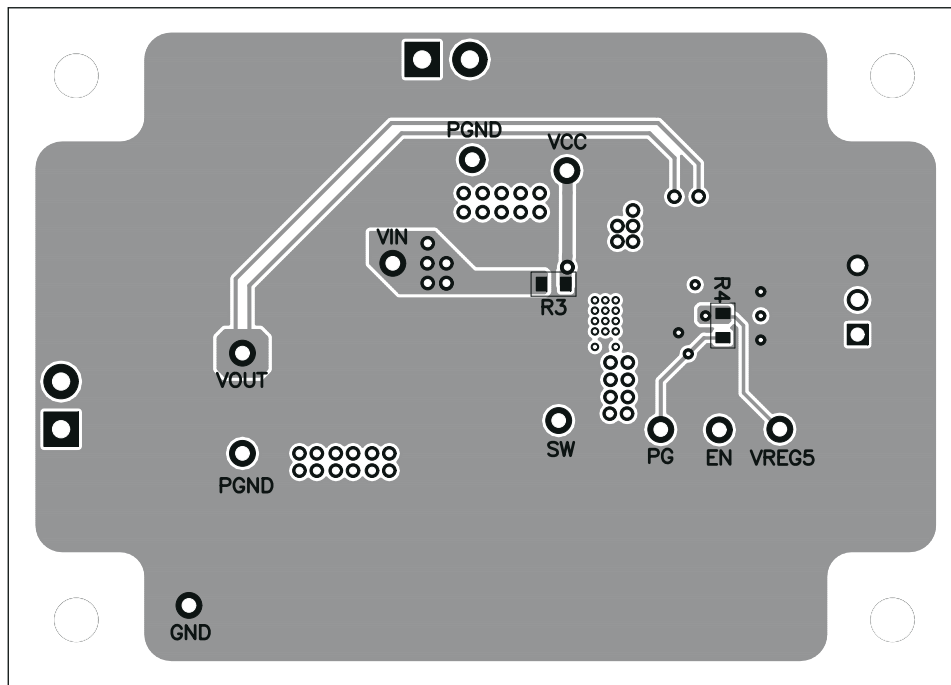


Figure 3-5. Bottom Layer



**Figure 3-6. Bottom Assembly**

## 4 Schematic, Bill of Materials and Reference

This section presents the TPS54225EVM-538 schematic, bill of materials and reference.

### 4.1 Schematic

Figure 4-1 is the schematic for the TPS54225EVM-538.

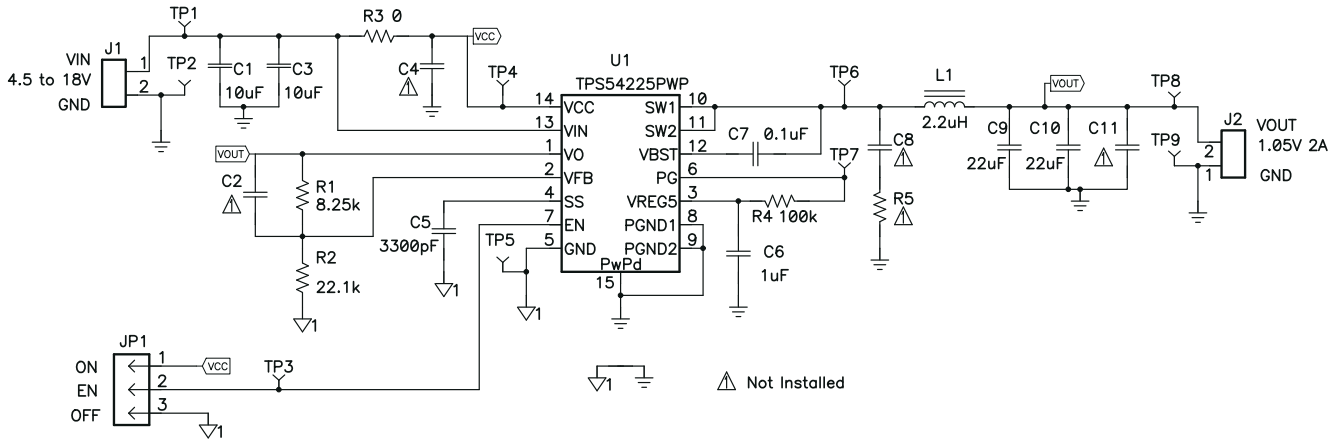


Figure 4-1. TPS54225EVM-538 Schematic Diagram

### 4.2 Bill of Materials

Table 4-1. Bill of Materials

RefDes	QTY	Value	Description	Size	Part Number	MFR
C1, C3	2	10 $\mu$ F	Capacitor, Ceramic, 25 V, X5R, 20%	1210	C3225X5R1E106M	TDK
C11	0	Open	Capacitor, Ceramic	1206	Std	Std
C2, C4, C8	0	Open	Capacitor, Ceramic	0603	Std	Std
C5	1	3300 pF	Capacitor, Ceramic, 25 V, X7R, 10%	0603	Std	Std
C6	1	1 $\mu$ F	Capacitor, Ceramic, 16 V, X7R, 10%	0603	Std	Std
C7	1	0.1 $\mu$ F	Capacitor, Ceramic, 50 V, X7R, 10%	0603	Std	Std
C9, C10	2	22 $\mu$ F	Capacitor, Ceramic, 6.3 V, X5R, 20%	1206	C3216X5R0J226M	TDK
J1, J2	2	ED555/2DS	Terminal Block, 2-pin, 6-A, 3.5mm	0.27 $\times$ 0.25 inch	ED555/2DS	Sullins
JP1	1	PEC03SAAN	Header, Male 3-pin, 100-mil spacing	0.100 inch $\times$ 3	PEC03SAAN	Sullins
L1	1	2.2 $\mu$ H	Inductor, SMT, 8.2 A, 17.3 milliohm	0.256 $\times$ 0.280 inch	SPM6530T-2R2M	TDK
R1	1	8.25 k	Resistor, Chip, 1/16W, 1%	0603	Std	Std
R2	1	22.1 k	Resistor, Chip, 1/16W, 1%	0603	Std	Std
R3	1	0	Resistor, Chip, 1/16W, 1%	0603	Std	Std
R4	1	100 k	Resistor, Chip, 1/16W, 1%	0603	Std	Std
R5	0	Open	Resistor, Chip, 1/16W, 1%	0603	Std	Std
TP1, TP3, TP4, TP6, TP7, TP8, TP9	3	5000	Test Point, Red, Thru Hole Color Keyed	0.100 $\times$ 0.100 inch	5000	Keystone
TP2, TP5, TP9	3	5001	Test Point, Black, Thru Hole Color Keyed	0.100 $\times$ 0.100 inch	5001	Keystone
U1	1	TPS54225PWP	IC, 2-A Output Single Sync. Step-Down		TPS54225PWP	TI
-	1		Shunt, 100-mil, Black	0.100	929950-00	3M
-	1		PCB, 2.76 in $\times$ 1.97 in $\times$ 0.062 in		HPA538	Any

### 4.3 Reference

Texas Instruments, [TPS54225 Single Synchronous Converter with Integrated High Side and Low Side MOS FET](#)

## 5 Revision History

NOTE: Page numbers for previous revisions may differ from page numbers in the current version.

### Changes from Revision \* (November 2009) to Revision A (October 2021)

Page

- Updated the numbering format for tables, figures, and cross-references throughout the document. ....2

- Updated the user's guide title ..... 2
-

## IMPORTANT NOTICE AND DISCLAIMER

TI PROVIDES TECHNICAL AND RELIABILITY DATA (INCLUDING DATASHEETS), DESIGN RESOURCES (INCLUDING REFERENCE DESIGNS), APPLICATION OR OTHER DESIGN ADVICE, WEB TOOLS, SAFETY INFORMATION, AND OTHER RESOURCES "AS IS" AND WITH ALL FAULTS, AND DISCLAIMS ALL WARRANTIES, EXPRESS AND IMPLIED, INCLUDING WITHOUT LIMITATION ANY IMPLIED WARRANTIES OF MERCHANTABILITY, FITNESS FOR A PARTICULAR PURPOSE OR NON-INFRINGEMENT OF THIRD PARTY INTELLECTUAL PROPERTY RIGHTS.

These resources are intended for skilled developers designing with TI products. You are solely responsible for (1) selecting the appropriate TI products for your application, (2) designing, validating and testing your application, and (3) ensuring your application meets applicable standards, and any other safety, security, regulatory or other requirements.

These resources are subject to change without notice. TI grants you permission to use these resources only for development of an application that uses the TI products described in the resource. Other reproduction and display of these resources is prohibited. No license is granted to any other TI intellectual property right or to any third party intellectual property right. TI disclaims responsibility for, and you fully indemnify TI and its representatives against any claims, damages, costs, losses, and liabilities arising out of your use of these resources.

TI's products are provided subject to [TI's Terms of Sale](#), [TI's General Quality Guidelines](#), or other applicable terms available either on [ti.com](http://ti.com) or provided in conjunction with such TI products. TI's provision of these resources does not expand or otherwise alter TI's applicable warranties or warranty disclaimers for TI products. Unless TI explicitly designates a product as custom or customer-specified, TI products are standard, catalog, general purpose devices.

TI objects to and rejects any additional or different terms you may propose.

Copyright © 2026, Texas Instruments Incorporated

Last updated 10/2025