

TPD3S014EVM

This user's guide describes the characteristics, operation, and use of the TPD3S014EVM evaluation module (EVM). This EVM includes five TPD3S014's in various configurations for testing. One TPD3S014 is configured for IEC61000-4-2 compliance testing, one is configured for 4-port s-parameter analysis, one is pinned out for evaluating the current limiting switch, one is configured for throughput on USB 2.0 Type A connectors for throughput analysis, and one is configured for the capture of clamping waveforms during an ESD event. This user's guide includes setup instructions, schematic diagrams, a bill of materials, and printed-circuit board layout drawings for the evaluation module.

1 Introduction

Texas Instrument's TPD3S014 evaluation module helps designers evaluate the operation and performance of the TPD3S014 device. The TPD3S014 is a current limiting switch intended for applications such as USB where heavy capacitive loads and short-circuits are likely to be encountered; TPD3S014 provides short-circuit and over-current protection. This device has a fixed current-limit threshold of 0.5 A. ESD protection for D+ and D– is also provided.

The EVM contains five TPD3S014s. TPD3S014 (U1) is configured with two USB2.0 Type A connectors (USB1 & USB2) for capturing Eye Diagrams and evaluating current limiting with a system. TPD3S014 (U2) is configured with 4 SMA (J1 – J4) connectors to allow 4-port analysis with a vector network analyzer. TPD3S014 (U4) is configured with test points for striking ESD to the protection pins. TPD3S014 (U3) is configured for capturing clamping waveforms with an oscilloscope during an ESD test. Caution must be taken when capturing clamping waveforms during an ESD event so as not to damage the oscilloscope. A proper procedure is outlined below in [Section 3.4.1](#).

2 Definitions

Contact Discharge — a method of testing in which the electrode of the ESD simulator is held in contact with the device-under-test (DUT).

Air Discharge — a method of testing in which the charged electrode of the ESD simulator approaches the DUT, and a spark to the DUT actuates the discharge.

ESD simulator — a device that outputs IEC61000-4-2 compliance ESD waveforms shown in [Figure 1](#) with adjustable ranges shown in [Table 1](#) and [Table 2](#).

IEC61000-4-2 has 4 classes of protection levels. Classes 1 – 4 are shown in [Table 1](#). Stress tests should be incrementally tested to level 4 as shown in [Table 2](#) until the point of failure. If the DUT does not fail at 8kV, testing can continue in 2 kV increments until failure.

Table 1. IEC61000-4-2 Test Levels

Contact Discharge		Air Discharge	
Class	Test Voltage [\pm kV]	Class	Test Voltage [\pm kV]
1	2	1	2
2	4	2	4
3	6	3	8
4	8	4	15

Table 2. Waveform Parameters in Contact Discharge Mode

Stress Level Step	Simulator Voltage [kV]	I _{peak} ±15% [A]	Rise Time ±25% [nS]	Current at 30ns ±30% [A]	Current at 60ns ±30% [A]
1	2	7.5	0.8	4	2
2	4	15	0.8	8	4
3	6	22.5	0.8	12	6
4	8	30	0.8	16	8

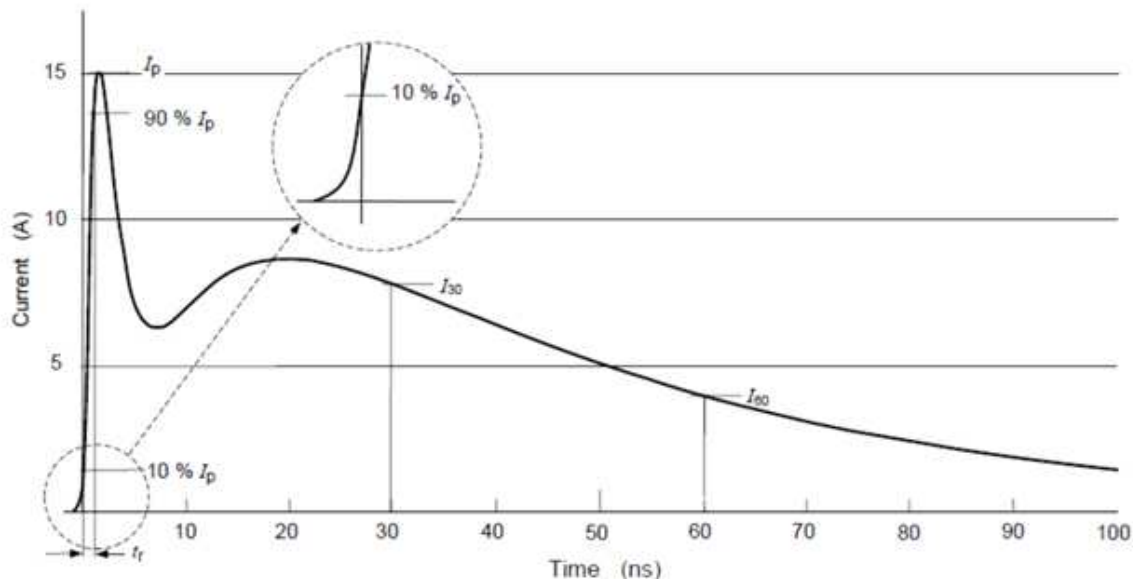


Figure 1. Ideal Contact Discharge Waveform of the Output Current of the ESD Simulator at 4 kV

3 Setup

This section describes the intended use of the EVM. A generalized outline of the procedure given in IEC-61000-4-2 is described here. IEC-61000-4-2 should be referred to for a more specific testing outline. Basic configurations for collecting S-parameters, Eye Diagrams, and ESD clamping waveforms are outlined as well. Attach 5 V to the +5-V test point and ground to GND. Tests can be performed will device enable pins set HI or LO. For TPD3S014 the device is active-low, so set EN to LO to enable the devices on the board.

3.1 U1

A single TPD3S014 (U1) is configured with two USB2.0 Type A connectors (USB1 & USB2) for capturing Eye Diagrams. Using USB2 as input and USB1 as output, attach to a USB2.0 compliant Eye Diagram tester setup for the intended application, either transmitter or receiver.

3.2 U2

A TPD3S014 (U2) is configured with 4 SMA (J1 – J4) connectors to allow 4-port analysis with a vector network analyzer. Connect Port 1 to J1, Port 2 to J2, Port 3 to J3, and Port 4 to J4. This configuration allows for the following terminology in 4 port analysis:

- S₁₁: Return loss
- S₂₁: Insertion loss
- S₃₁: Near end cross talk
- S₄₁: Far end cross talk

3.3 U4

A TPD3S014 (U3) has an SMB connector (J7) for capturing clamping waveforms with an oscilloscope during an ESD strike. Caution must be taken when capturing clamping waveforms during an ESD event so as not to damage the oscilloscope.

3.3.1 Test Method and Set-Up

An example test setup is shown in Figure 2. Details of the testing table and ground planes can be found in the IEC 61000-4-2 test procedure. Ground the EVM using the banana connector labeled GND (J9). Discharge the ESD simulator on any of the Test Points TP1 – TP10. Contact and air-gap discharge are tested using the same simulator with the same discharge waveform. While the simulator is in direct contact with the test point during contact, it is not during air-gap.

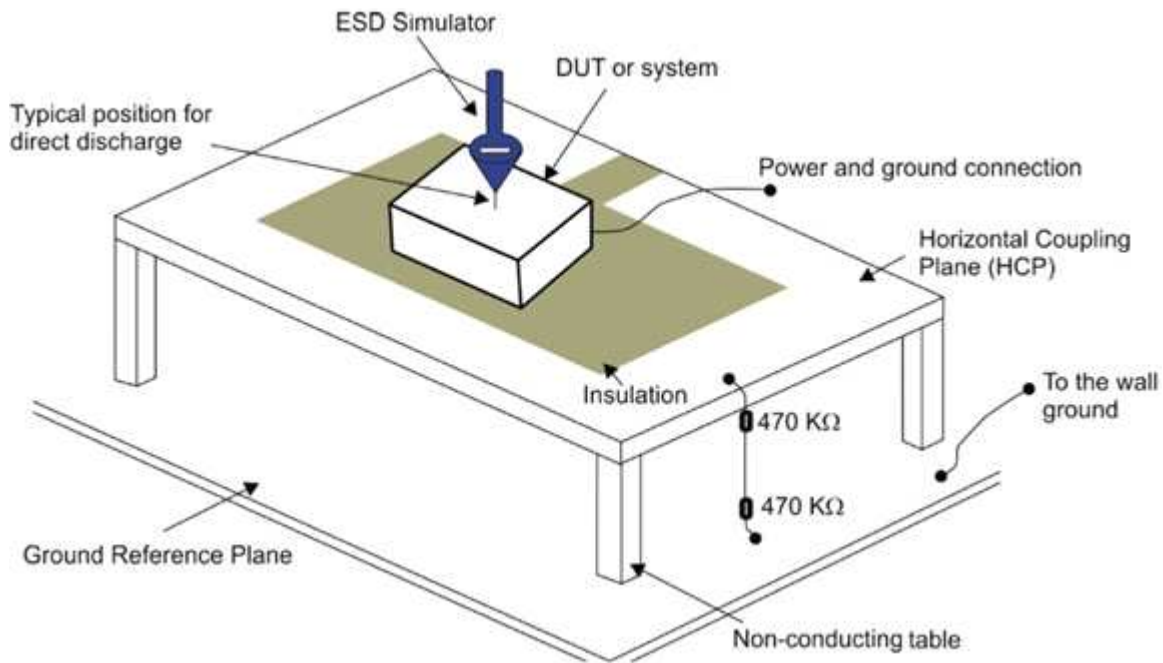


Figure 2. System Level ESD Test Setup

3.3.2 Evaluation of Test Results

Connect the tested device on the EVM to a curve tracer both before and after ESD testing. After each incremental level, if the IV curve of the ESD protection diode shifts ± 0.1 V, or leakage current increases by a factor of ten, then the device is permanently damaged by ESD.

3.4 U3

A TPD3S014 (U3) has an SMB connector (J7) for capturing clamping waveforms with an oscilloscope during an ESD strike. Caution must be taken when capturing clamping waveforms during an ESD event so as not to damage the oscilloscope.

3.4.1 Oscilloscope setup

Without a proper procedure, capturing ESD clamping waveforms exposes the oscilloscope to potential voltages higher than the rating of the equipment. Proper methodology can mitigate any risk in this operation.

Recommended equipment:

- Minimum of 1 GHz bandwidth oscilloscope.
- Either of the following:
 - 2 10X 50 Ω attenuators and a 0 Ω resistor (to be installed at R1).
 - 1 10X 50 Ω attenuator and a 150 Ω resistor (already installed at R1).
- 50 Ω shielded SMB cable.

Procedure

In order to protect the oscilloscope, attenuation of the measured signal is required. Here are two possible procedures for testing U3:

1. Using two 10X attenuators:
 - Install a 0 Ω resistor in R1
 - Attach two 10X attenuators to the oscilloscope channel being used.
 - Attach the 50 Ω shielded SMB cable between J7 and the attenuator.
 - Set the scope attenuation factor to 100X.
 - Set the oscilloscope to trigger on a positive edge for (+) ESD and a negative edge for (–) ESD strikes. The magnitude should be set to 20 V.
 - Following [Section 3.3.1](#), strike contact ESD to TP10.
2. Using one 10X attenuator:
 - Attach one 10X attenuator to the oscilloscope.
 - Attach the 50 Ω shielded SMB cable between J7 and the attenuator.
 - Set the scope attenuation factor to 40X.
 - Set the oscilloscope to trigger on a positive edge for (+) ESD and a negative edge for (–) ESD strikes. The magnitude should be set to 20 V.
 - Following [Section 3.3.1](#), strike contact ESD to TP10.

Recommended settings for the time axis is 20 ns/div and for the voltage axis is 10 V division.

The voltage levels of the ESD applied to TP10 should not exceed ± 8 kV while capturing clamping waveforms.

4 Board Layout

This section provides the TPD3S014EVM board layout. TPD3S014EVM is a 4-layer board of FR-4 at 0.062 inch thickness. Layers 2 and 3 are ground and power planes, respectively, and not shown.

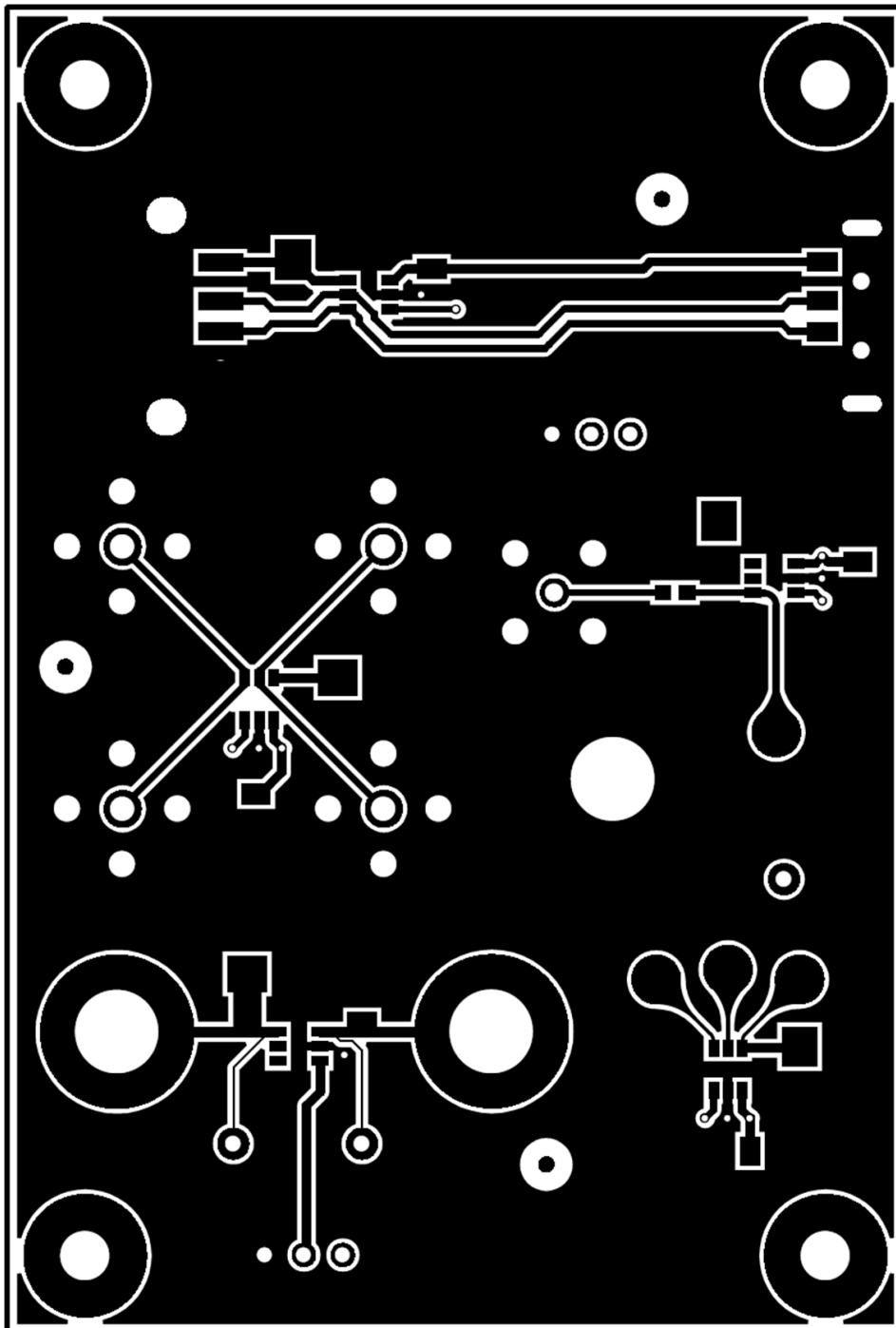


Figure 3. TPD3S014EVM Top Layer

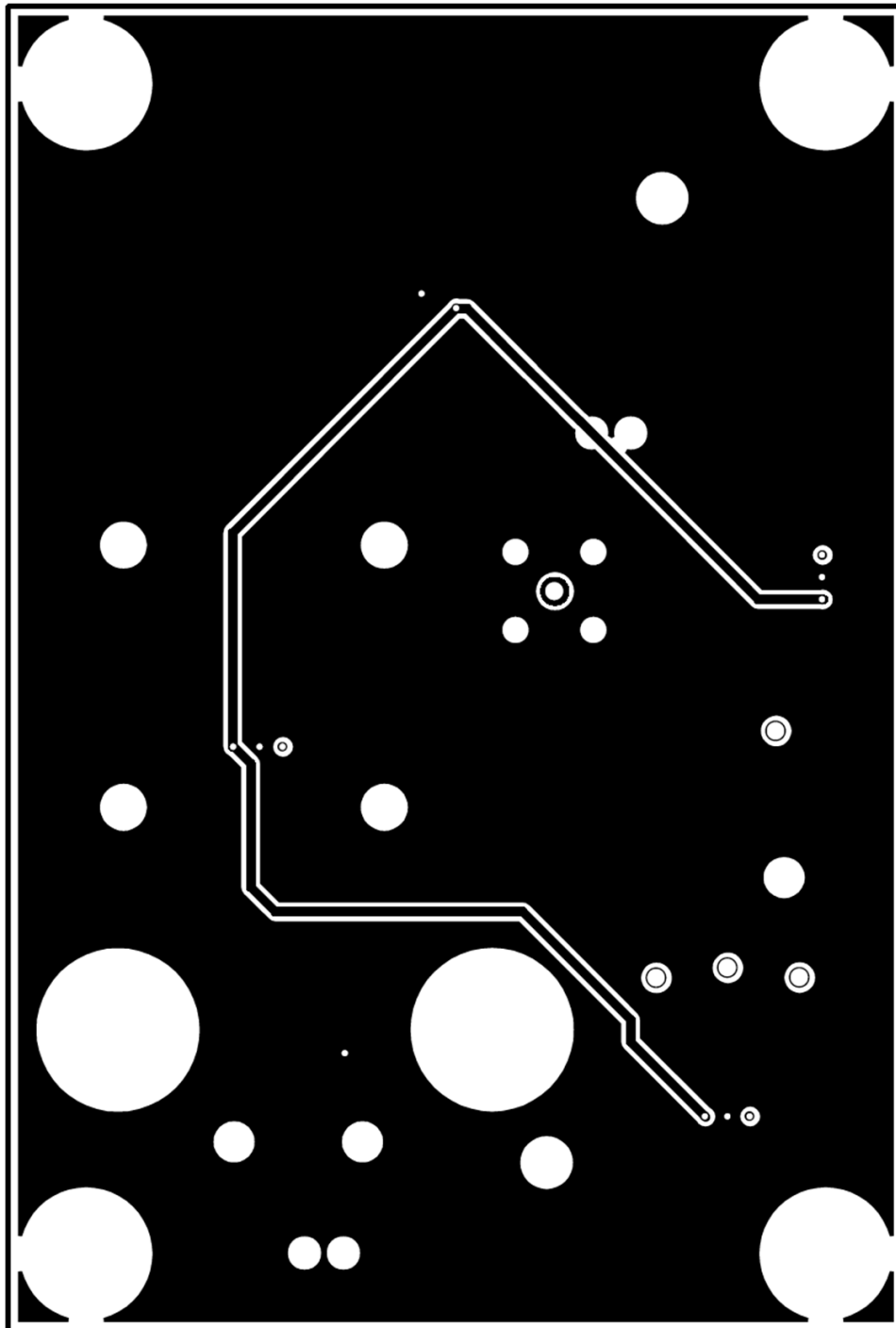


Figure 4. TPD3S014EVM Bottom Layer

5 Schematics and Bill Of Materials

5.1 Schematics

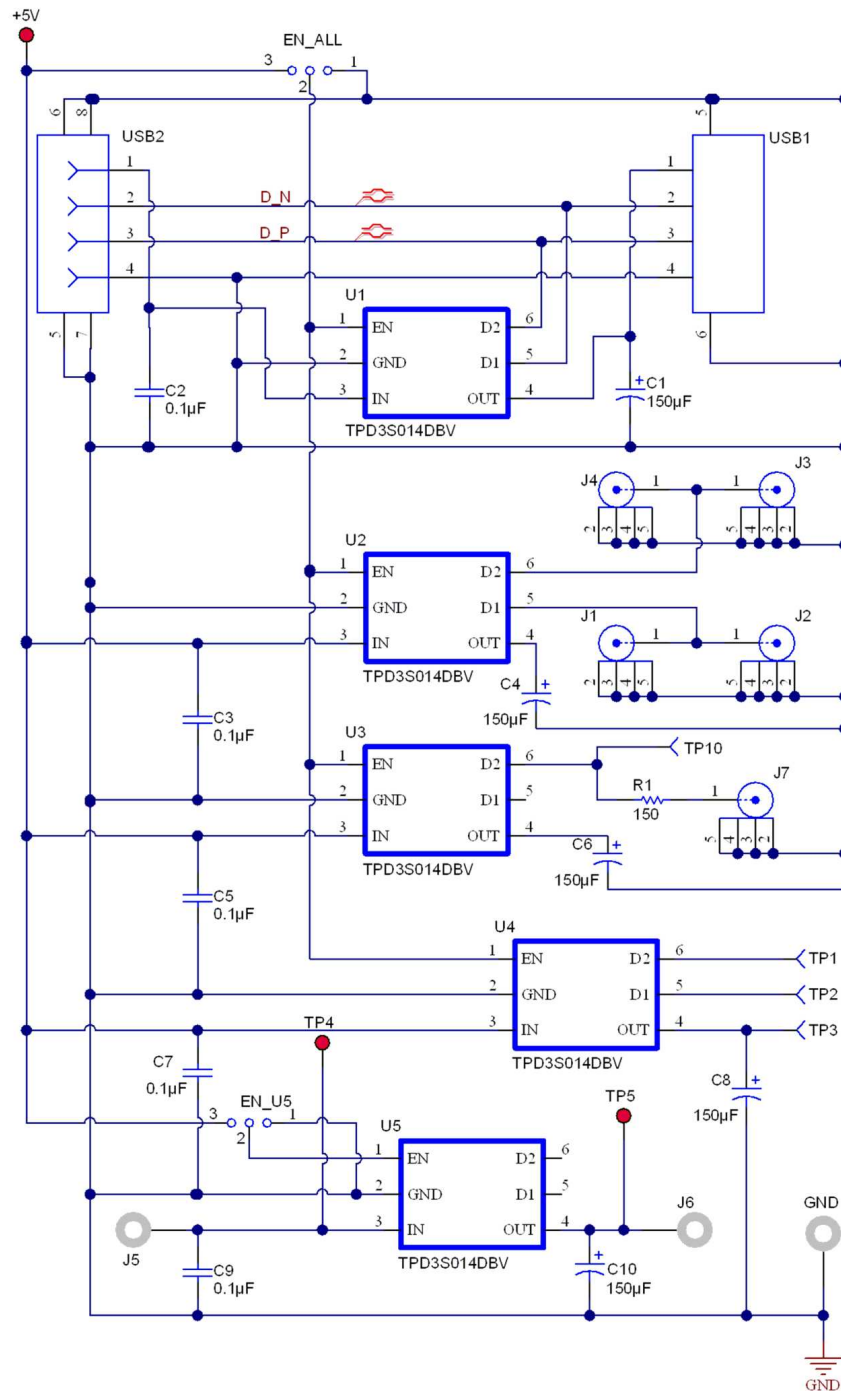


Figure 5. TPD3S014EVM Schematic

Table 3. Bill of Materials

Count	RefDes	Description	Package Reference	Part Number	MFR
1	+5V	Test Point, Miniature, Red, TH	Red Miniature Test point	5000	Keystone
5	C1, C4, C6, C8, C10	CAP, TA, 150uF, 6.3V, +/-10%, 0.15 ohm, SMD	6032-28	TPSC157K006R0150	AVX
5	C2, C3, C5, C7, C9	CAP, CERM, 10 uF, 50V, +/-10%, X7R, 1206	1206	GMK316F106ZL-T	Taiyo Yuden
2	EN_ALL, EN_U5	Header, Male 3-pin, 100mil spacing,	0.100 inch x 3	PEC03SAAN	Sullins
3	GND, J5, J6	Standard Banana Jack, Uninsulated, 5.5mm	Keystone 575-4	575-4	Keystone
4	H1, H2, H3, H4	Machine Screw, Round, #4-40 x 1/4, Nylon, Philips panhead	Screw	NY PMS 440 0025 PH	B&F Fastener Supply
4	H5, H6, H7, H8	Standoff, Hex, 0.5"L #4-40 Nylon	Standoff	1902C	Keystone
4	J1, J2, J3, J4	Connector, TH, SMA	SMA	142-0701-231	Emerson Network Power
1	J7	Connector, SMB, Vertical RCP 0-4GHz, 50 ohm, TH	SMB	131-3701-261	Emerson Network Power
1	R1	RES, 150 ohm, 1%, 0.1W, 0603	603	CRCW0603150RFK EA	Vishay-Dale
5	U1, U2, U3, U4, U5	IC, Low-Capacitance 4-Chan ±15-kV ESD-Protection Array For High-Speed Data Interfaces	SOT-23	TPD3S014DBV	TI
1	USB1	Connector, Receptacle, USB TYPE A, 4POS SMD	USB Type A connector, receptacle, 4 POS SMD	896-43-004-00-000000	Mill-Max
1	USB2	Connector, USB Type A, 4POS R/A, SMD	USB Type A right angle	48037-1000	Molex

ADDITIONAL TERMS AND CONDITIONS, WARNINGS, RESTRICTIONS, AND DISCLAIMERS FOR EVALUATION MODULES

Texas Instruments Incorporated (TI) markets, sells, and loans all evaluation boards, kits, and/or modules (EVMs) pursuant to, and user expressly acknowledges, represents, and agrees, and takes sole responsibility and risk with respect to, the following:

1. User agrees and acknowledges that EVMs are intended to be handled and used for feasibility evaluation only in laboratory and/or development environments. Notwithstanding the foregoing, in certain instances, TI makes certain EVMs available to users that do not handle and use EVMs solely for feasibility evaluation only in laboratory and/or development environments, but may use EVMs in a hobbyist environment. All EVMs made available to hobbyist users are FCC certified, as applicable. Hobbyist users acknowledge, agree, and shall comply with all applicable terms, conditions, warnings, and restrictions in this document and are subject to the disclaimer and indemnity provisions included in this document.
2. Unless otherwise indicated, EVMs are not finished products and not intended for consumer use. EVMs are intended solely for use by technically qualified electronics experts who are familiar with the dangers and application risks associated with handling electrical mechanical components, systems, and subsystems.
3. User agrees that EVMs shall not be used as, or incorporated into, all or any part of a finished product.
4. User agrees and acknowledges that certain EVMs may not be designed or manufactured by TI.
5. User must read the user's guide and all other documentation accompanying EVMs, including without limitation any warning or restriction notices, prior to handling and/or using EVMs. Such notices contain important safety information related to, for example, temperatures and voltages. For additional information on TI's environmental and/or safety programs, please visit www.ti.com/esh or contact TI.
6. User assumes all responsibility, obligation, and any corresponding liability for proper and safe handling and use of EVMs.
7. Should any EVM not meet the specifications indicated in the user's guide or other documentation accompanying such EVM, the EVM may be returned to TI within 30 days from the date of delivery for a full refund. THE FOREGOING LIMITED WARRANTY IS THE EXCLUSIVE WARRANTY MADE BY TI TO USER AND IS IN LIEU OF ALL OTHER WARRANTIES, EXPRESSED, IMPLIED, OR STATUTORY, INCLUDING ANY WARRANTY OF MERCHANTABILITY OR FITNESS FOR ANY PARTICULAR PURPOSE. TI SHALL NOT BE LIABLE TO USER FOR ANY INDIRECT, SPECIAL, INCIDENTAL, OR CONSEQUENTIAL DAMAGES RELATED TO THE HANDLING OR USE OF ANY EVM.
8. No license is granted under any patent right or other intellectual property right of TI covering or relating to any machine, process, or combination in which EVMs might be or are used. TI currently deals with a variety of customers, and therefore TI's arrangement with the user is not exclusive. TI assumes no liability for applications assistance, customer product design, software performance, or infringement of patents or services with respect to the handling or use of EVMs.
9. User assumes sole responsibility to determine whether EVMs may be subject to any applicable federal, state, or local laws and regulatory requirements (including but not limited to U.S. Food and Drug Administration regulations, if applicable) related to its handling and use of EVMs and, if applicable, compliance in all respects with such laws and regulations.
10. User has sole responsibility to ensure the safety of any activities to be conducted by it and its employees, affiliates, contractors or designees, with respect to handling and using EVMs. Further, user is responsible to ensure that any interfaces (electronic and/or mechanical) between EVMs and any human body are designed with suitable isolation and means to safely limit accessible leakage currents to minimize the risk of electrical shock hazard.
11. User shall employ reasonable safeguards to ensure that user's use of EVMs will not result in any property damage, injury or death, even if EVMs should fail to perform as described or expected.
12. User shall be solely responsible for proper disposal and recycling of EVMs consistent with all applicable federal, state, and local requirements.

Certain Instructions. User shall operate EVMs within TI's recommended specifications and environmental considerations per the user's guide, accompanying documentation, and any other applicable requirements. Exceeding the specified ratings (including but not limited to input and output voltage, current, power, and environmental ranges) for EVMs may cause property damage, personal injury or death. If there are questions concerning these ratings, user should contact a TI field representative prior to connecting interface electronics including input power and intended loads. Any loads applied outside of the specified output range may result in unintended and/or inaccurate operation and/or possible permanent damage to the EVM and/or interface electronics. Please consult the applicable EVM user's guide prior to connecting any load to the EVM output. If there is uncertainty as to the load specification, please contact a TI field representative. During normal operation, some circuit components may have case temperatures greater than 60°C as long as the input and output are maintained at a normal ambient operating temperature. These components include but are not limited to linear regulators, switching transistors, pass transistors, and current sense resistors which can be identified using EVMs' schematics located in the applicable EVM user's guide. When placing measurement probes near EVMs during normal operation, please be aware that EVMs may become very warm. As with all electronic evaluation tools, only qualified personnel knowledgeable in electronic measurement and diagnostics normally found in development environments should use EVMs.

Agreement to Defend, Indemnify and Hold Harmless. User agrees to defend, indemnify, and hold TI, its directors, officers, employees, agents, representatives, affiliates, licensors and their representatives harmless from and against any and all claims, damages, losses, expenses, costs and liabilities (collectively, "Claims") arising out of, or in connection with, any handling and/or use of EVMs. User's indemnity shall apply whether Claims arise under law of tort or contract or any other legal theory, and even if EVMs fail to perform as described or expected.

Safety-Critical or Life-Critical Applications. If user intends to use EVMs in evaluations of safety critical applications (such as life support), and a failure of a TI product considered for purchase by user for use in user's product would reasonably be expected to cause severe personal injury or death such as devices which are classified as FDA Class III or similar classification, then user must specifically notify TI of such intent and enter into a separate Assurance and Indemnity Agreement.

RADIO FREQUENCY REGULATORY COMPLIANCE INFORMATION FOR EVALUATION MODULES

Texas Instruments Incorporated (TI) evaluation boards, kits, and/or modules (EVMs) and/or accompanying hardware that is marketed, sold, or loaned to users may or may not be subject to radio frequency regulations in specific countries.

General Statement for EVMs Not Including a Radio

For EVMs not including a radio and not subject to the U.S. Federal Communications Commission (FCC) or Industry Canada (IC) regulations, TI intends EVMs to be used only for engineering development, demonstration, or evaluation purposes. EVMs are not finished products typically fit for general consumer use. EVMs may nonetheless generate, use, or radiate radio frequency energy, but have not been tested for compliance with the limits of computing devices pursuant to part 15 of FCC or the ICES-003 rules. Operation of such EVMs may cause interference with radio communications, in which case the user at his own expense will be required to take whatever measures may be required to correct this interference.

General Statement for EVMs including a radio

User Power/Frequency Use Obligations: For EVMs including a radio, the radio included in such EVMs is intended for development and/or professional use only in legally allocated frequency and power limits. Any use of radio frequencies and/or power availability in such EVMs and their development application(s) must comply with local laws governing radio spectrum allocation and power limits for such EVMs. It is the user's sole responsibility to only operate this radio in legally acceptable frequency space and within legally mandated power limitations. Any exceptions to this are strictly prohibited and unauthorized by TI unless user has obtained appropriate experimental and/or development licenses from local regulatory authorities, which is the sole responsibility of the user, including its acceptable authorization.

U.S. Federal Communications Commission Compliance

For EVMs Annotated as FCC – FEDERAL COMMUNICATIONS COMMISSION Part 15 Compliant

Caution

This device complies with part 15 of the FCC Rules. Operation is subject to the following two conditions: (1) This device may not cause harmful interference, and (2) this device must accept any interference received, including interference that may cause undesired operation. Changes or modifications could void the user's authority to operate the equipment.

FCC Interference Statement for Class A EVM devices

This equipment has been tested and found to comply with the limits for a Class A digital device, pursuant to part 15 of the FCC Rules. These limits are designed to provide reasonable protection against harmful interference when the equipment is operated in a commercial environment. This equipment generates, uses, and can radiate radio frequency energy and, if not installed and used in accordance with the instruction manual, may cause harmful interference to radio communications. Operation of this equipment in a residential area is likely to cause harmful interference in which case the user will be required to correct the interference at its own expense.

FCC Interference Statement for Class B EVM devices

This equipment has been tested and found to comply with the limits for a Class B digital device, pursuant to part 15 of the FCC Rules. These limits are designed to provide reasonable protection against harmful interference in a residential installation. This equipment generates, uses and can radiate radio frequency energy and, if not installed and used in accordance with the instructions, may cause harmful interference to radio communications. However, there is no guarantee that interference will not occur in a particular installation. If this equipment does cause harmful interference to radio or television reception, which can be determined by turning the equipment off and on, the user is encouraged to try to correct the interference by one or more of the following measures:

- Reorient or relocate the receiving antenna.
- Increase the separation between the equipment and receiver.
- Connect the equipment into an outlet on a circuit different from that to which the receiver is connected.
- Consult the dealer or an experienced radio/TV technician for help.

Industry Canada Compliance (English)

For EVMs Annotated as IC – INDUSTRY CANADA Compliant:

This Class A or B digital apparatus complies with Canadian ICES-003.

Changes or modifications not expressly approved by the party responsible for compliance could void the user's authority to operate the equipment.

Concerning EVMs Including Radio Transmitters

This device complies with Industry Canada licence-exempt RSS standard(s). Operation is subject to the following two conditions: (1) this device may not cause interference, and (2) this device must accept any interference, including interference that may cause undesired operation of the device.

Concerning EVMs Including Detachable Antennas

Under Industry Canada regulations, this radio transmitter may only operate using an antenna of a type and maximum (or lesser) gain approved for the transmitter by Industry Canada. To reduce potential radio interference to other users, the antenna type and its gain should be so chosen that the equivalent isotropically radiated power (e.i.r.p.) is not more than that necessary for successful communication.

This radio transmitter has been approved by Industry Canada to operate with the antenna types listed in the user guide with the maximum permissible gain and required antenna impedance for each antenna type indicated. Antenna types not included in this list, having a gain greater than the maximum gain indicated for that type, are strictly prohibited for use with this device.

Canada Industry Canada Compliance (French)

Cet appareil numérique de la classe A ou B est conforme à la norme NMB-003 du Canada

Les changements ou les modifications pas expressément approuvés par la partie responsable de la conformité ont pu vider l'autorité de l'utilisateur pour actionner l'équipement.

Concernant les EVMs avec appareils radio

Le présent appareil est conforme aux CNR d'Industrie Canada applicables aux appareils radio exempts de licence. L'exploitation est autorisée aux deux conditions suivantes : (1) l'appareil ne doit pas produire de brouillage, et (2) l'utilisateur de l'appareil doit accepter tout brouillage radioélectrique subi, même si le brouillage est susceptible d'en compromettre le fonctionnement.

Concernant les EVMs avec antennes détachables

Conformément à la réglementation d'Industrie Canada, le présent émetteur radio peut fonctionner avec une antenne d'un type et d'un gain maximal (ou inférieur) approuvé pour l'émetteur par Industrie Canada. Dans le but de réduire les risques de brouillage radioélectrique à l'intention des autres utilisateurs, il faut choisir le type d'antenne et son gain de sorte que la puissance isotrope rayonnée équivalente (p.i.r.e.) ne dépasse pas l'intensité nécessaire à l'établissement d'une communication satisfaisante.

Le présent émetteur radio a été approuvé par Industrie Canada pour fonctionner avec les types d'antenne énumérés dans le manuel d'usage et ayant un gain admissible maximal et l'impédance requise pour chaque type d'antenne. Les types d'antenne non inclus dans cette liste, ou dont le gain est supérieur au gain maximal indiqué, sont strictement interdits pour l'exploitation de l'émetteur.

Mailing Address: Texas Instruments, Post Office Box 655303, Dallas, Texas 75265
Copyright © 2014, Texas Instruments Incorporated

Important Notice for Users of EVMs Considered “Radio Frequency Products” in Japan

EVMs entering Japan are NOT certified by TI as conforming to Technical Regulations of Radio Law of Japan.

If user uses EVMs in Japan, user is required by Radio Law of Japan to follow the instructions below with respect to EVMs:

1. Use EVMs in a shielded room or any other test facility as defined in the notification #173 issued by Ministry of Internal Affairs and Communications on March 28, 2006, based on Sub-section 1.1 of Article 6 of the Ministry's Rule for Enforcement of Radio Law of Japan,
2. Use EVMs only after user obtains the license of Test Radio Station as provided in Radio Law of Japan with respect to EVMs, or
3. Use of EVMs only after user obtains the Technical Regulations Conformity Certification as provided in Radio Law of Japan with respect to EVMs. Also, do not transfer EVMs, unless user gives the same notice above to the transferee. Please note that if user does not follow the instructions above, user will be subject to penalties of Radio Law of Japan.

<http://www.tij.co.jp>

【無線電波を送信する製品の開発キットをお使いになる際の注意事項】本開発キットは技術基準適合証明を受けておりません。本製品のご使用に際しては、電波法遵守のため、以下のいずれかの措置を取っていただく必要がありますのでご注意ください。

1. 電波法施行規則第6条第1項第1号に基づく平成18年3月28日総務省告示第173号で定められた電波暗室等の試験設備でご使用いただく。
2. 実験局の免許を取得後ご使用いただく。
3. 技術基準適合証明を取得後ご使用いただく。。

なお、本製品は、上記の「ご使用にあたっての注意」を譲渡先、移転先に通知しない限り、譲渡、移転できないものとします

上記を遵守頂けない場合は、電波法の罰則が適用される可能性があることをご留意ください。

日本テキサス・インスツルメンツ株式会社

東京都新宿区西新宿 6 丁目 2 4 番 1 号

西新宿三井ビル

<http://www.tij.co.jp>

Texas Instruments Japan Limited

(address) 24-1, Nishi-Shinjuku 6 chome, Shinjuku-ku, Tokyo, Japan

IMPORTANT NOTICE

Texas Instruments Incorporated and its subsidiaries (TI) reserve the right to make corrections, enhancements, improvements and other changes to its semiconductor products and services per JESD46, latest issue, and to discontinue any product or service per JESD48, latest issue. Buyers should obtain the latest relevant information before placing orders and should verify that such information is current and complete. All semiconductor products (also referred to herein as "components") are sold subject to TI's terms and conditions of sale supplied at the time of order acknowledgment.

TI warrants performance of its components to the specifications applicable at the time of sale, in accordance with the warranty in TI's terms and conditions of sale of semiconductor products. Testing and other quality control techniques are used to the extent TI deems necessary to support this warranty. Except where mandated by applicable law, testing of all parameters of each component is not necessarily performed.

TI assumes no liability for applications assistance or the design of Buyers' products. Buyers are responsible for their products and applications using TI components. To minimize the risks associated with Buyers' products and applications, Buyers should provide adequate design and operating safeguards.

TI does not warrant or represent that any license, either express or implied, is granted under any patent right, copyright, mask work right, or other intellectual property right relating to any combination, machine, or process in which TI components or services are used. Information published by TI regarding third-party products or services does not constitute a license to use such products or services or a warranty or endorsement thereof. Use of such information may require a license from a third party under the patents or other intellectual property of the third party, or a license from TI under the patents or other intellectual property of TI.

Reproduction of significant portions of TI information in TI data books or data sheets is permissible only if reproduction is without alteration and is accompanied by all associated warranties, conditions, limitations, and notices. TI is not responsible or liable for such altered documentation. Information of third parties may be subject to additional restrictions.

Resale of TI components or services with statements different from or beyond the parameters stated by TI for that component or service voids all express and any implied warranties for the associated TI component or service and is an unfair and deceptive business practice. TI is not responsible or liable for any such statements.

Buyer acknowledges and agrees that it is solely responsible for compliance with all legal, regulatory and safety-related requirements concerning its products, and any use of TI components in its applications, notwithstanding any applications-related information or support that may be provided by TI. Buyer represents and agrees that it has all the necessary expertise to create and implement safeguards which anticipate dangerous consequences of failures, monitor failures and their consequences, lessen the likelihood of failures that might cause harm and take appropriate remedial actions. Buyer will fully indemnify TI and its representatives against any damages arising out of the use of any TI components in safety-critical applications.

In some cases, TI components may be promoted specifically to facilitate safety-related applications. With such components, TI's goal is to help enable customers to design and create their own end-product solutions that meet applicable functional safety standards and requirements. Nonetheless, such components are subject to these terms.

No TI components are authorized for use in FDA Class III (or similar life-critical medical equipment) unless authorized officers of the parties have executed a special agreement specifically governing such use.

Only those TI components which TI has specifically designated as military grade or "enhanced plastic" are designed and intended for use in military/aerospace applications or environments. Buyer acknowledges and agrees that any military or aerospace use of TI components which have **not** been so designated is solely at the Buyer's risk, and that Buyer is solely responsible for compliance with all legal and regulatory requirements in connection with such use.

TI has specifically designated certain components as meeting ISO/TS16949 requirements, mainly for automotive use. In any case of use of non-designated products, TI will not be responsible for any failure to meet ISO/TS16949.

Products

Audio	www.ti.com/audio
Amplifiers	amplifier.ti.com
Data Converters	dataconverter.ti.com
DLP® Products	www.dlp.com
DSP	dsp.ti.com
Clocks and Timers	www.ti.com/clocks
Interface	interface.ti.com
Logic	logic.ti.com
Power Mgmt	power.ti.com
Microcontrollers	microcontroller.ti.com
RFID	www.ti-rfid.com
OMAP Applications Processors	www.ti.com/omap
Wireless Connectivity	www.ti.com/wirelessconnectivity

Applications

Automotive and Transportation	www.ti.com/automotive
Communications and Telecom	www.ti.com/communications
Computers and Peripherals	www.ti.com/computers
Consumer Electronics	www.ti.com/consumer-apps
Energy and Lighting	www.ti.com/energy
Industrial	www.ti.com/industrial
Medical	www.ti.com/medical
Security	www.ti.com/security
Space, Avionics and Defense	www.ti.com/space-avionics-defense
Video and Imaging	www.ti.com/video

TI E2E Community

e2e.ti.com