

Solar lantern with dimming achieves 92% efficiency

By Chris Glaser

Applications Engineer

Solar lanterns are becoming increasingly popular, especially for decorative nighttime lighting or in areas with unreliable or nonexistent electrical service. These lanterns charge a battery during the day and then use that stored energy during the night to provide light on outdoor paths and sidewalks, or for indoor activities such as cooking or reading. Since the lanterns typically are powered by low-cost and robust multicell lead-acid batteries, a common problem encountered is how to efficiently convert this chemical energy to lumens (visible light output). To solve this, LEDs are frequently used because they produce many lumens per watt of energy consumed. A switching regulator is usually employed to efficiently convert the variable battery voltage to a regulated yet changeable (dimnable) current in the LED, which creates light. Efficiency must remain high over the battery voltage and dimming range in order to prolong battery life. A complete, cost-effective solution is needed to efficiently convert the 6, 9, 12, or 15 V of a common lead-acid battery pack to light with dimming capabilities.

Single LED versus an LED string

When designing a solar-lantern system, designers must choose whether to produce the desired amount of light with multiple smaller, lower-power LEDs or one larger, high-brightness LED. Typically, a single LED driver drives a string of smaller LEDs in a series configuration. The advantages of this approach are that the current in each LED is exactly the same and the LEDs can be positioned to illuminate a wider area than is possible with a single LED. However, even with equal currents, the LEDs cannot each emit exactly the same color of light unless they are tested and binned before assembly. This is more costly.

A single high-brightness LED emits light to a smaller area, but this can be overcome by a diffuser cover placed over the LED. When pick-and-place costs in assembly are considered, a single high-brightness LED is usually more cost-effective overall than several smaller LEDs. A single

LED does not need to be binned, which also reduces costs. This article discusses use of the low-cost, single high-brightness LED. The LED current is set to 800 mA for a dimmable 2.8-W power output, which is typical for solar lanterns.

Easily dimmable

The light output of the solar lantern must be adjustable according to the needs of the user. For instance, more light might be required for reading than for cooking. Dimming the light output draws less energy from the battery and results in a longer battery run time.

Analog dimming and pulse-width-modulator (PWM) dimming are two methods that can be implemented to reduce the LED's light output. Analog dimming reduces the average current in the LED, while PWM dimming operates the LED at full current but varies the duty cycle at which this full current is applied. Thus, PWM dimming creates an average LED current equivalent to the full current multiplied by the duty cycle of the applied PWM signal. The PWM dimming frequency should be above the bandwidth detectable by the human eye so that the viewer does not notice any flicker. In general, analog dimming is more efficient, but PWM dimming eliminates the LED color shift that occurs when the LED is driven at different currents (as in analog dimming). So, the LED light color remains the same across the dimming range. Since both dimming methods have advantages and disadvantages, the ideal solar-lantern LED driver should accommodate both dimming methods. A PWM signal from a microcontroller, which typically is present in the solar-lantern system for battery management and other tasks, should be the single dimming interface with the LED driver for both methods. The Texas Instruments TPS62150 supports analog and PWM dimming from a PWM signal, as shown in Figures 1 and 2 (see next page). Detailed design equations are found in References 1 and 2.

The advantage of these circuits is their similarity. Only small schematic changes and a change to the PWM signal's frequency are needed to implement analog or PWM dimming in a given design. This means that the same LED driver circuit can be used for multiple solar-lantern designs. Simply populate the circuit with different components and load a slightly different code to the microcontroller, and the solar lantern is optimized for either highest efficiency or most constant light color through the use of either analog or PWM dimming.

Another major concern is the dimming linearity. Does the rate of change in the LED current (and thus the light output) across the dimming range correspond to the rate of change of the input signal (in this case, the duty cycle of the PWM signal)? If this is true for the given LED driver, then the code development is quite simple, as a 10% increase in duty cycle results in a 10% increase in light output. If this were not true, then additional testing and code would be needed to correlate a given change in the input signal to the desired change in light output. This

Figure 1. Circuit schematic for analog dimming

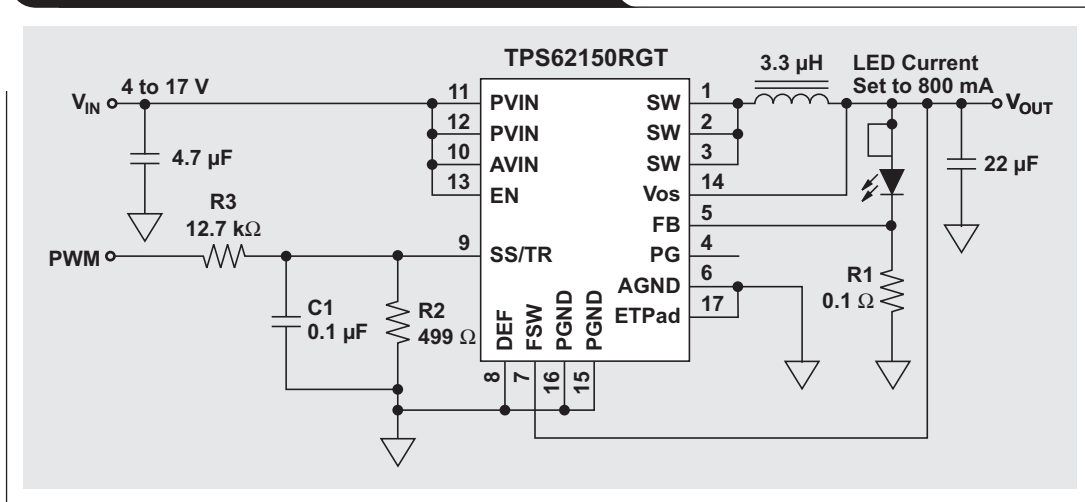
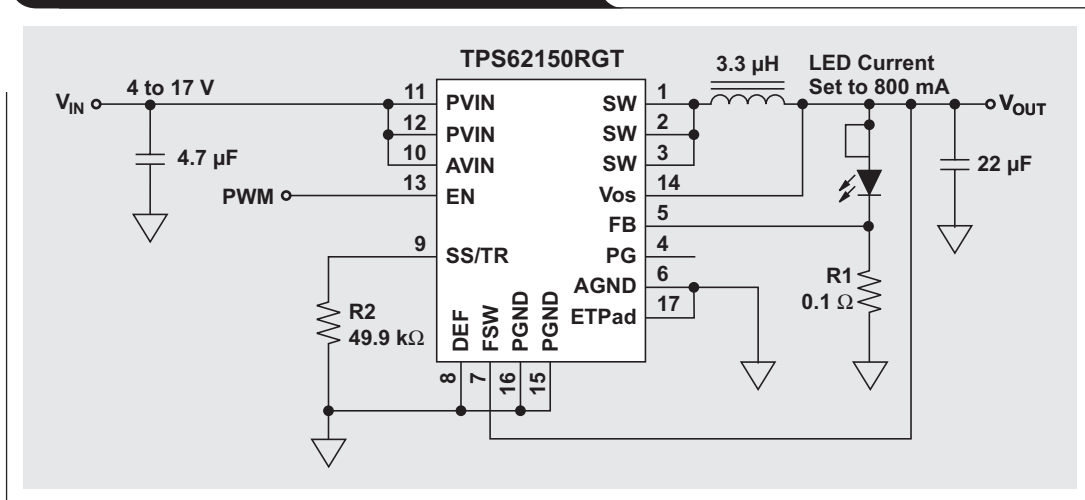


Figure 2. Circuit schematic for PWM dimming



correlation might also vary across the dimming range, resulting in further complications to the dimming algorithm. Fortunately, the circuits in Figures 1 and 2 support very high dimming linearity, as shown in Figures 3 and 4. Each circuit has a coefficient of determination (R^2 value) of 1, which indicates perfect linearity. (The R^2 value is a statistical measure of the variability in a data set, and a value of 1 indicates zero variability.) This results in a very simple code development for the dimming algorithm and provides a pleasant user experience in the smooth dimming behavior of the lantern.

However, for analog dimming, the linear equations modeling this linearity have a y-axis intercept of 94 mA. This shows another limitation of analog dimming—an inability to dim the LED at very low output currents. To solve this, PWM dimming is used, with a y-axis intercept of -7 mA. This allows very low LED currents to be achieved at very low PWM duty cycles.

Achieving high efficiency

Efficiency is critical in any battery-powered system, but especially in a solar lantern. Since it cannot be assumed that every day will have sunlight, the batteries have to last for more than one day at a time without a recharge. By an efficient conversion of stored chemical energy to light and a reduction of the light output through dimming, the LED driver increases the battery run time. In addition to supporting dimming, an efficient LED driver should (1) operate at a relatively low switching frequency to reduce the switching losses, (2) have a power-save mode to boost the efficiency at low light levels, and (3) have a cost-effective method to reduce the losses in the current-sensing resistor, R1 in Figure 1. The TPS62150 is a good choice because it has these three features and produces the efficiency

Figure 3. Analog dimming linearity

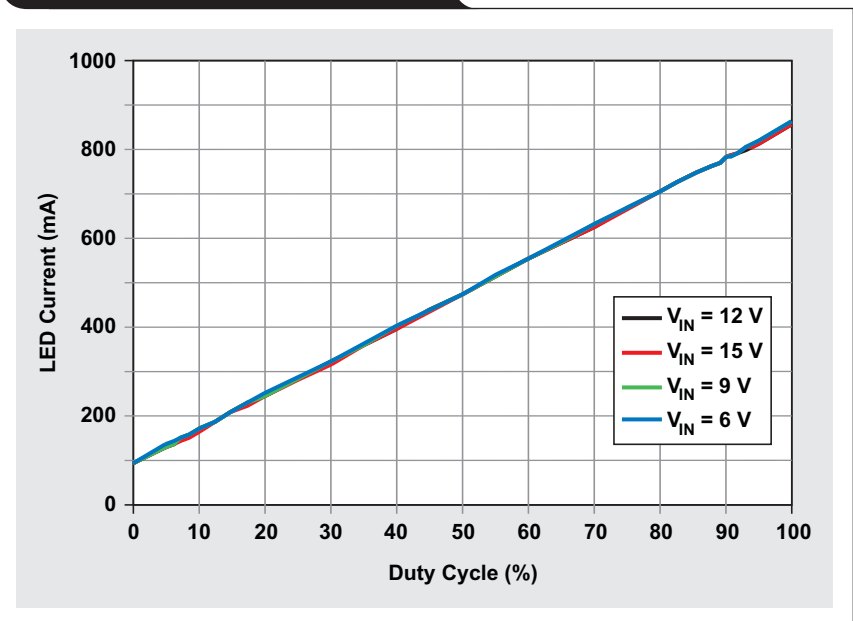
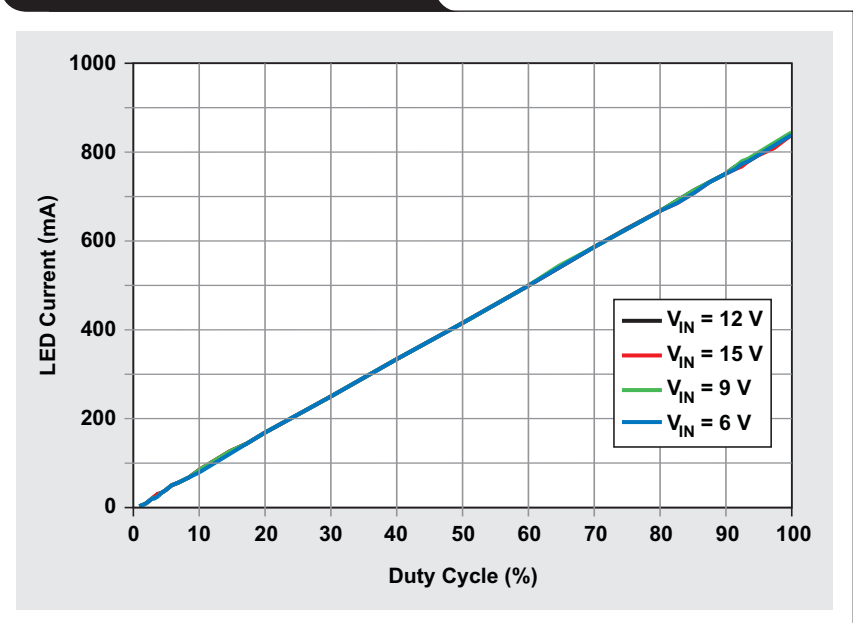


Figure 4. PWM dimming linearity



shown in Figures 5 and 6. Due to a higher voltage drop when the LED is driven at its full current, and due to reduced efficiency during the turn-on and turn-off of the IC, the efficiency of PWM dimming is lower than that of analog dimming.

Conclusion

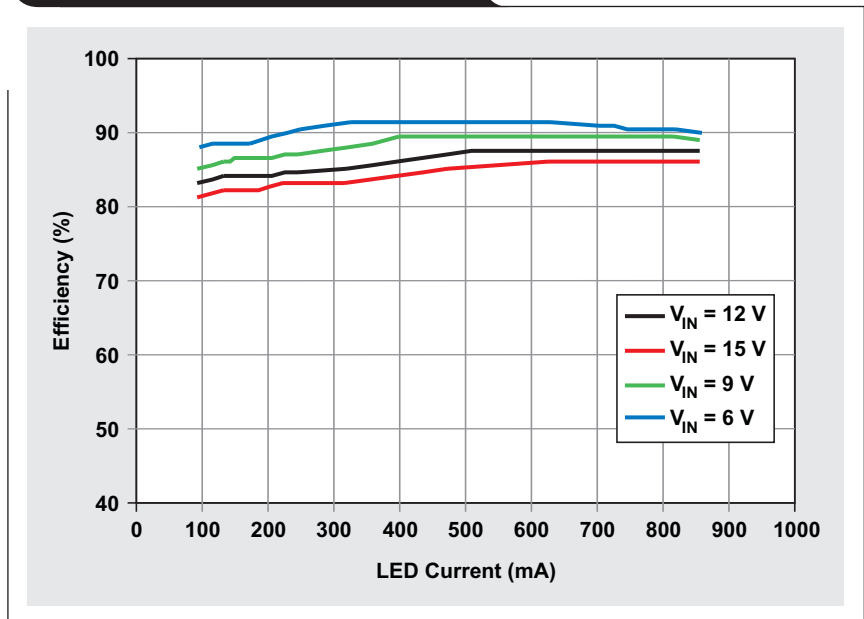
This article has presented an efficient 2.8-W solar-lantern solution that drives a single high-brightness LED and provides either analog or PWM dimming from a PWM signal. Analog dimming achieves better efficiency over the entire dimming range, while PWM dimming allows very low LED currents (for very low light levels) at low PWM duty cycles and has the best efficiency at full output power. Both dimming circuits are extremely linear. This design is well-suited for solar lanterns powered from rechargeable lead-acid, nickel, or lithium batteries.

References

For more information related to this article, you can download an Acrobat® Reader® file at www.ti.com/lit/litnumber and replace “*litnumber*” with the **TI Lit. #** for the materials listed below.

| Document Title | TI Lit. # |
|--|-----------|
| 1. “Using the TPS62150 as step-down LED driver with dimming” | SLVA451 |
| 2. “Design tool for analog dimming using a PWM signal” | SLVC366 |

Figure 5. Analog dimming efficiency

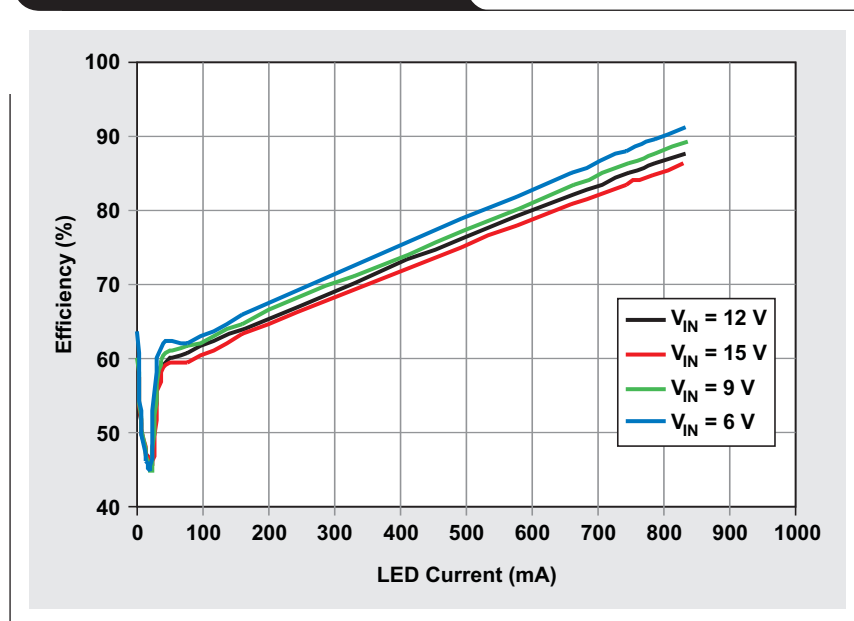


| Document Title | TI Lit. # |
|---|-----------|
| 3. “3-17V 1A step-down converter in 3×3 QFN package,” TPS62150/1/2/3 Datasheet. | SLVSAL5 |

Related Web sites

power.ti.com
www.ti.com/product/TPS62150

Figure 6. PWM dimming efficiency



TI Worldwide Technical Support

Internet

TI Semiconductor Product Information Center Home Page

support.ti.com

TI E2E™ Community Home Page

e2e.ti.com

Product Information Centers

| | | |
|-----------------|----------------|--|
| Americas | Phone | +1(972) 644-5580 |
| Brazil | Phone | 0800-891-2616 |
| Mexico | Phone | 0800-670-7544 |
| | Fax | +1(972) 927-6377 |
| | Internet/Email | support.ti.com/sc/pic/americas.htm |

Europe, Middle East, and Africa

| | |
|--------------------|--------------------------------------|
| Phone | |
| European Free Call | 00800-ASK-TEXAS (00800 275 83927) |
| International | +49 (0) 8161 80 2121 |
| Russian Support | +7 (4) 95 98 10 701 |

Note: The European Free Call (Toll Free) number is not active in all countries. If you have technical difficulty calling the free call number, please use the international number above.

| | |
|--------------|--|
| Fax | + (49) (0) 8161 80 2045 |
| Internet | support.ti.com/sc/pic/euro.htm |
| Direct Email | asktexas@ti.com |

Japan

| | | |
|----------------|---------------|--|
| Phone | Domestic | 0120-92-3326 |
| Fax | International | +81-3-3344-5317 |
| | Domestic | 0120-81-0036 |
| Internet/Email | International | support.ti.com/sc/pic/japan.htm |
| | Domestic | www.tij.co.jp/pic |

Asia

| | |
|---|-------------------------|
| Phone | |
| International | +91-80-41381665 |
| Domestic | <u>Toll-Free Number</u> |
| Note: Toll-free numbers do not support mobile and IP phones. | |
| Australia | 1-800-999-084 |
| China | 800-820-8682 |
| Hong Kong | 800-96-5941 |
| India | 1-800-425-7888 |
| Indonesia | 001-803-8861-1006 |
| Korea | 080-551-2804 |
| Malaysia | 1-800-80-3973 |
| New Zealand | 0800-446-934 |
| Philippines | 1-800-765-7404 |
| Singapore | 800-886-1028 |
| Taiwan | 0800-006800 |
| Thailand | 001-800-886-0010 |

| | |
|----------|--|
| Fax | +8621-23073686 |
| Email | tiasia@ti.com or ti-china@ti.com |
| Internet | support.ti.com/sc/pic/asia.htm |

Important Notice: The products and services of Texas Instruments Incorporated and its subsidiaries described herein are sold subject to TI's standard terms and conditions of sale. Customers are advised to obtain the most current and complete information about TI products and services before placing orders. TI assumes no liability for applications assistance, customer's applications or product designs, software performance, or infringement of patents. The publication of information regarding any other company's products or services does not constitute TI's approval, warranty or endorsement thereof.

A122010

E2E is a trademark of Texas Instruments. Acrobat and Reader are registered trademarks of Adobe Systems Incorporated. All other trademarks are the property of their respective owners.

IMPORTANT NOTICE

Texas Instruments Incorporated and its subsidiaries (TI) reserve the right to make corrections, modifications, enhancements, improvements, and other changes to its products and services at any time and to discontinue any product or service without notice. Customers should obtain the latest relevant information before placing orders and should verify that such information is current and complete. All products are sold subject to TI's terms and conditions of sale supplied at the time of order acknowledgment.

TI warrants performance of its hardware products to the specifications applicable at the time of sale in accordance with TI's standard warranty. Testing and other quality control techniques are used to the extent TI deems necessary to support this warranty. Except where mandated by government requirements, testing of all parameters of each product is not necessarily performed.

TI assumes no liability for applications assistance or customer product design. Customers are responsible for their products and applications using TI components. To minimize the risks associated with customer products and applications, customers should provide adequate design and operating safeguards.

TI does not warrant or represent that any license, either express or implied, is granted under any TI patent right, copyright, mask work right, or other TI intellectual property right relating to any combination, machine, or process in which TI products or services are used. Information published by TI regarding third-party products or services does not constitute a license from TI to use such products or services or a warranty or endorsement thereof. Use of such information may require a license from a third party under the patents or other intellectual property of the third party, or a license from TI under the patents or other intellectual property of TI.

Reproduction of TI information in TI data books or data sheets is permissible only if reproduction is without alteration and is accompanied by all associated warranties, conditions, limitations, and notices. Reproduction of this information with alteration is an unfair and deceptive business practice. TI is not responsible or liable for such altered documentation. Information of third parties may be subject to additional restrictions.

Resale of TI products or services with statements different from or beyond the parameters stated by TI for that product or service voids all express and any implied warranties for the associated TI product or service and is an unfair and deceptive business practice. TI is not responsible or liable for any such statements.

TI products are not authorized for use in safety-critical applications (such as life support) where a failure of the TI product would reasonably be expected to cause severe personal injury or death, unless officers of the parties have executed an agreement specifically governing such use. Buyers represent that they have all necessary expertise in the safety and regulatory ramifications of their applications, and acknowledge and agree that they are solely responsible for all legal, regulatory and safety-related requirements concerning their products and any use of TI products in such safety-critical applications, notwithstanding any applications-related information or support that may be provided by TI. Further, Buyers must fully indemnify TI and its representatives against any damages arising out of the use of TI products in such safety-critical applications.

TI products are neither designed nor intended for use in military/aerospace applications or environments unless the TI products are specifically designated by TI as military-grade or "enhanced plastic." Only products designated by TI as military-grade meet military specifications. Buyers acknowledge and agree that any such use of TI products which TI has not designated as military-grade is solely at the Buyer's risk, and that they are solely responsible for compliance with all legal and regulatory requirements in connection with such use.

TI products are neither designed nor intended for use in automotive applications or environments unless the specific TI products are designated by TI as compliant with ISO/TS 16949 requirements. Buyers acknowledge and agree that, if they use any non-designated products in automotive applications, TI will not be responsible for any failure to meet such requirements.

Following are URLs where you can obtain information on other Texas Instruments products and application solutions:

Products

| | |
|------------------------|--|
| Audio | www.ti.com/audio |
| Amplifiers | amplifier.ti.com |
| Data Converters | dataconverter.ti.com |
| DLP® Products | www.dlp.com |
| DSP | dsp.ti.com |
| Clocks and Timers | www.ti.com/clocks |
| Interface | interface.ti.com |
| Logic | logic.ti.com |
| Power Mgmt | power.ti.com |
| Microcontrollers | microcontroller.ti.com |
| RFID | www.ti-rfid.com |
| OMAP Mobile Processors | www.ti.com/omap |
| Wireless Connectivity | www.ti.com/wirelessconnectivity |

Applications

| | |
|-------------------------------|--|
| Communications and Telecom | www.ti.com/communications |
| Computers and Peripherals | www.ti.com/computers |
| Consumer Electronics | www.ti.com/consumer-apps |
| Energy and Lighting | www.ti.com/energy |
| Industrial | www.ti.com/industrial |
| Medical | www.ti.com/medical |
| Security | www.ti.com/security |
| Space, Avionics and Defense | www.ti.com/space-avionics-defense |
| Transportation and Automotive | www.ti.com/automotive |
| Video and Imaging | www.ti.com/video |

TI E2E Community Home Page

e2e.ti.com

Mailing Address: Texas Instruments, Post Office Box 655303, Dallas, Texas 75265
Copyright © 2011, Texas Instruments Incorporated