

## **AN-2050 LM5006 Evaluation Board**

---

---

---

### **1 Introduction**

The LM5006EVAL evaluation board provides the design engineer with a fully functional buck regulator, employing the constant on-time (COT) operating principle. This evaluation board provides a 5V output over an input range of 6V to 75V. The circuit delivers load currents to 500 mA, with current limit set at a nominal 1 Amp.

The board's specification are:

- Input Voltage: 6V to 75V
- Output Voltage: 5V
- Maximum load current: 500 mA
- Minimum load current: 0A
- Current Limit: 1 Amp (nominal)
- Measured Efficiency: 94.75% ( $V_{IN} = 6V$ ,  $I_{OUT} = 100\text{ mA}$ )
- Nominal Switching Frequency: 200 kHz
- Size: 2.6 in. x 1.6 in.

### **2 Theory of Operation**

Refer to the evaluation board schematic in [Figure 1](#). When the circuit is in regulation, the buck switch is on each cycle for a time determined by R1 and VIN according to the equation:

$$t_{on} = \frac{1.25 \times 10^{-10} \times (R1 + 500\Omega)}{V_{IN} - 0.5V} + 30\text{ ns} \quad (1)$$

The on-time of this evaluation board ranges from  $\approx 4.38\ \mu\text{s}$  at  $V_{IN} = 6V$ , to  $\approx 351\ \text{ns}$  at  $V_{IN} = 75V$ . The on-time varies inversely with VIN to maintain a nearly constant switching frequency. At the end of each on-time the Minimum Off-Timer ensures the buck switch is off for at least 260 ns. In normal operation, the off-time is much longer. During the off-time, the load current is supplied by the output capacitor (C2). When the output voltage falls sufficiently that the voltage at FB is below 2.5V, the regulation comparator initiates a new on-time period. For stable, fixed frequency operation, a minimum of 25 mV of ripple is required at FB to switch the regulation comparator. Refer to the LM5006 data sheet for a more detailed block diagram, and a complete description of the various functional blocks.

### 3 Evaluation Board Schematic

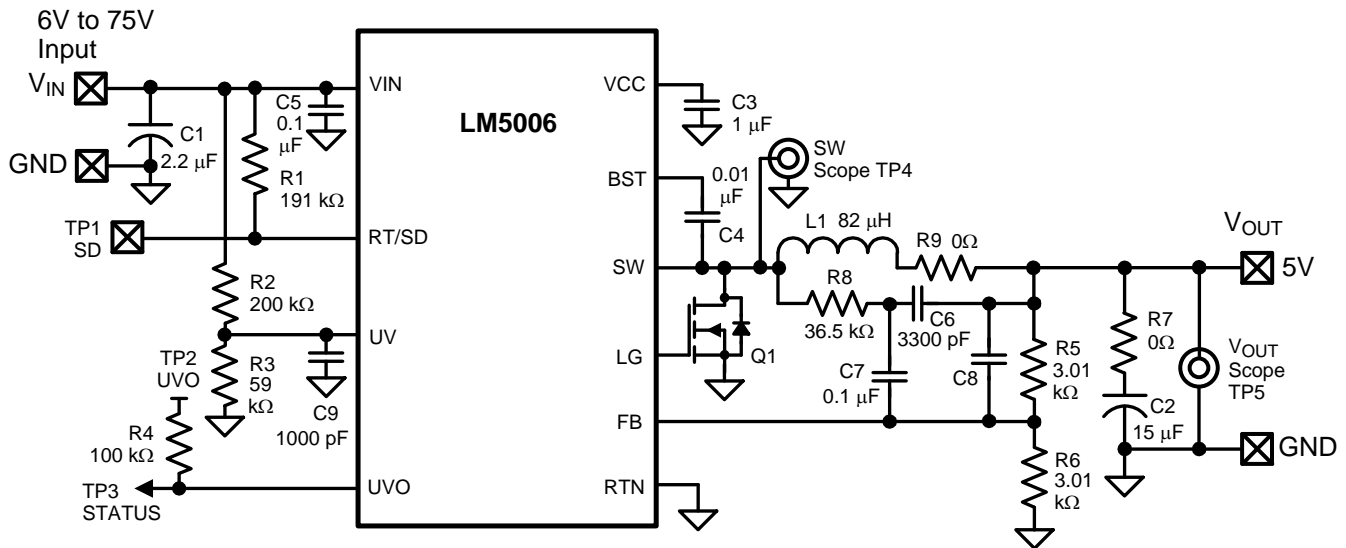


Figure 1. Complete Evaluation Board Schematic (As Supplied)

### 4 Board Layout and Probing

Figure 2 shows the placement of the circuit components. The following should be kept in mind when the board is powered:

- When operating at high input voltage and high load current, forced air flow may be necessary.
- The LM5006 may be hot to the touch when operating at high input voltage and high load current.
- Use CAUTION when probing the circuit at high input voltages to prevent injury, as well as possible damage to the circuit.
- At maximum load current, the wire size and length used to connect the load becomes important. Ensure there is not a significant drop in the wires between this evaluation board and the load.

### 5 Board Connection/Start-up

The input connections are made to the J1 connector. The load is connected to the J2 (OUT) and J3 (GND) terminals. Ensure the wires are adequately sized for the intended load current. Before start-up a voltmeter should be connected to the input terminals, and to the output terminals. The load current should be monitored with an ammeter or a current probe. It is recommended that the input voltage be increased gradually to 6V, at which time the output voltage should be 5V. If the output voltage is correct with 6V at VIN, then increase the input voltage as desired and proceed with evaluating the circuit. DO NOT EXCEED 75V AT VIN.

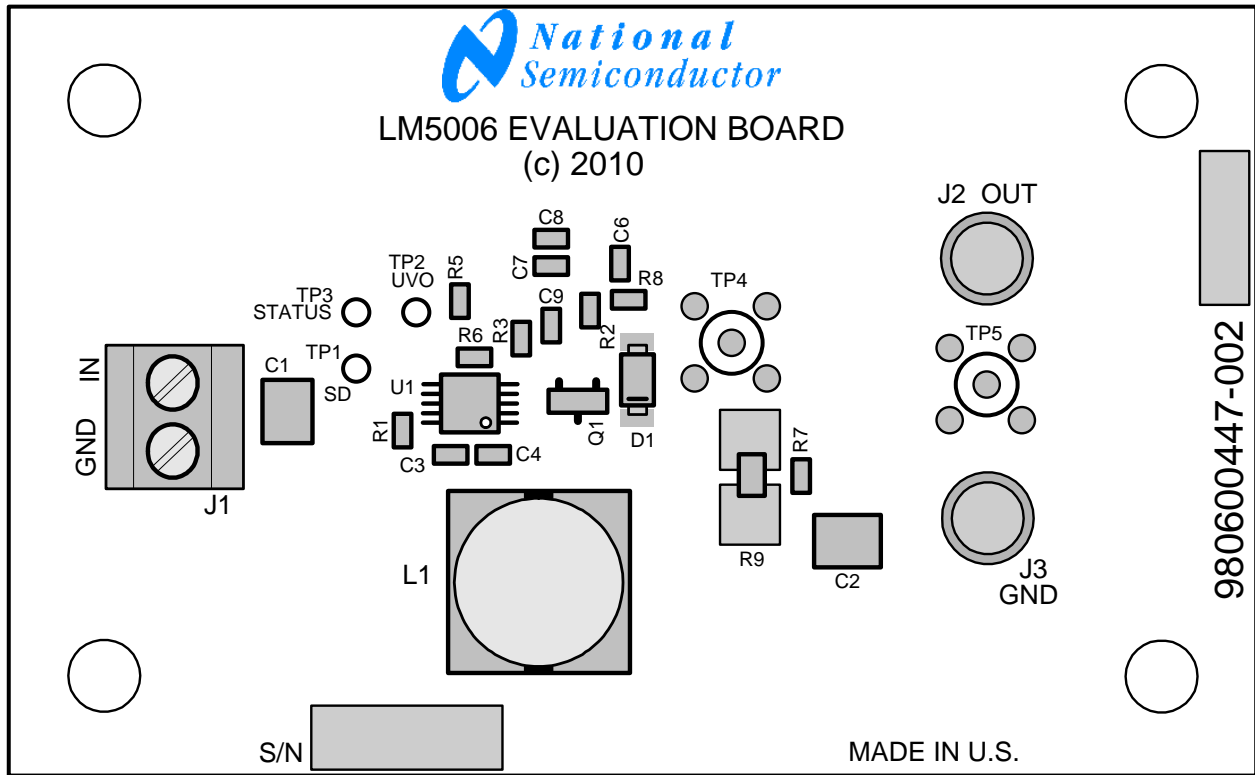


Figure 2. Evaluation Board - Top Side

## 6 Output Ripple Control

The LM5006 requires a minimum of 25 mVp-p ripple at the FB pin, in phase with the switching waveform at the SW pin, for proper operation. The required ripple can be supplied from ripple at  $V_{OUT}$ , through the feedback resistors as described in Option A.. Option B and Option C provide lower output ripple with one or two additional components.

### 6.1 Option A: Lowest Cost Configuration

In this configuration, [Figure 3](#), R7 is installed in series with the output capacitance (C2). Since  $\geq 25$  mVp-p are required at the FB pin, R7 must be chosen to generate  $\geq 50$  mVp-p at  $V_{OUT}$ , knowing that the minimum ripple current in this circuit is  $\approx 51$  mA p-p at minimum  $V_{IN}$ . Using  $1\Omega$  for R7, the ripple at  $V_{OUT}$  ranges from  $\approx 51$  mVp-p to  $\approx 280$  mVp-p over the input voltage range. If the application can accept this ripple level, this is the most economical solution. See [Figure 11](#). R8, C6, C7, and C8 are not used in this configuration.

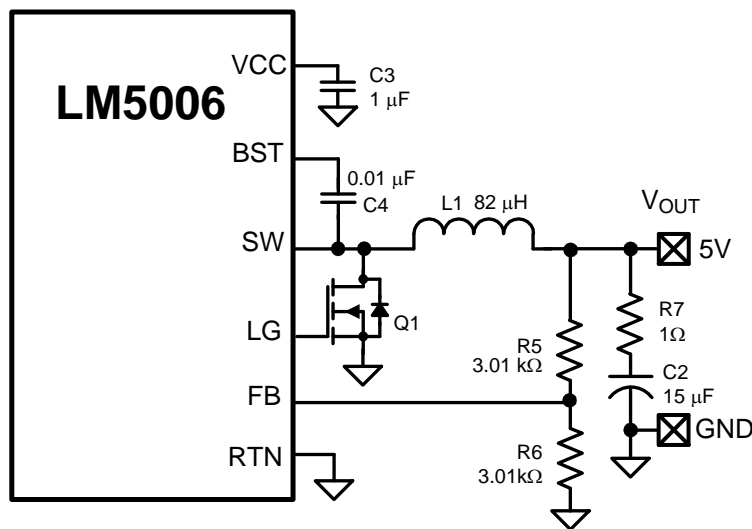


Figure 3. Lowest Cost Configuration

### 6.2 Option B: Reduced Ripple Configuration

This configuration, [Figure 4](#), generates less ripple at  $V_{OUT}$  than Option A, by the addition of one capacitor (C8) across R5.

Since the output ripple is passed by C8 to the FB pin with little or no attenuation, R7 can be reduced so the minimum ripple at  $V_{OUT}$  is  $\approx 25$  mVp-p. The minimum value for Cff is calculated from:

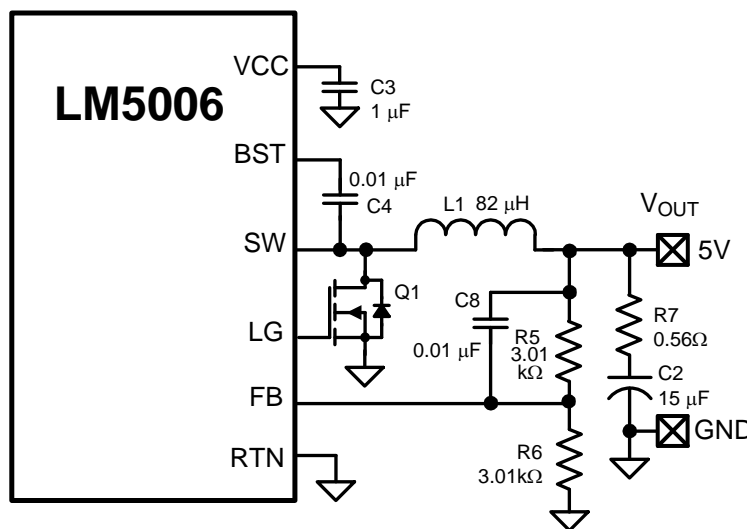
$$C8 \geq \frac{3 \times t_{ON(max)}}{(R5//R6)} \tag{2}$$

where:

$t_{ON(max)}$  is the maximum on-time (at minimum  $V_{IN}$ )

$R5//R6$  is the parallel equivalent of the feedback resistors

The ripple at  $V_{OUT}$  ranges from 28 mVp-p to 159 mVp-p over the input voltage range. See [Figure 11](#).



**Figure 4. Reduced Ripple Configuration**

### 6.3 Option C: Minimum Ripple Configuration

To obtain minimum ripple at  $V_{OUT}$ , Figure 5, R7 is set to  $0\Omega$ , and R8, C6, and C7 are added to generate the required ripple for the FB pin. In this configuration, the output ripple is determined primarily by the characteristics of the output capacitance and the inductor's ripple current. See Figure 11.

The ripple voltage required by the FB pin is generated by R8, and C6 since the SW pin switches from  $-0.1V$  to  $V_{IN}$ , and the right end of C6 is a virtual ground. The values for R8 and C6 are chosen to generate a 30-100 mVp-p triangle waveform at their junction. That triangle wave is then coupled to the FB pin through C7. The following procedure is used to calculate values for R8, C6 and C7:

1) Calculate the voltage  $V_A$ :

$$V_A = V_{OUT} - (V_{SW} \times (1 - (V_{OUT}/V_{IN}))) \quad (3)$$

where:

$V_{SW}$  is the absolute value of the voltage at the SW pin during the off-time (typically 0.1V with Q1)

$V_{IN}$  is the minimum input voltage

For this circuit,  $V_A$  calculates to 4.98V. This is the approximate DC voltage at the R8/C6 junction, and is used in the next equation.

2) Calculate the R8 x C6 product:

$$R8 \times C6 = \frac{(V_{IN} - V_A) \times t_{ON}}{\Delta V} \quad (4)$$

where:

$t_{ON}$  is the maximum on-time

$V_{IN}$  is the minimum input voltage

$\Delta V$  is the desired ripple amplitude at the R8/C6 junction, 40 mVp-p for this example

$$R8 \times C6 = \frac{(6V - 4.98V) \times 4.38 \mu s}{0.04} = 1.12 \times 10^{-4} \quad (5)$$

R8 and C6 are then chosen from standard value components to satisfy the above product. Typically C6 is 3000 to 10000 pF, and R8 is 10 k $\Omega$  to 300 k $\Omega$ . C7 is chosen large compared to C6, typically 0.1  $\mu F$ . The ripple at  $V_{OUT}$  is typically less than 10 mVp-p. See Figure 11.

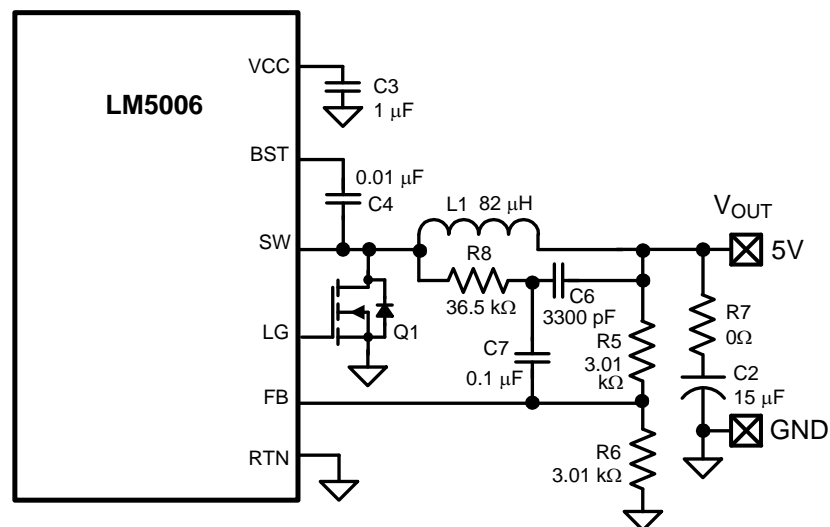


Figure 5. Minimum Output Ripple Configuration

## 7 LG (Low Side Gate) Output

As supplied, this evaluation board employs synchronous rectification by using an N-Channel MOSFET (Q1) in place of a more traditional flyback diode. This board accepts any device in a SOT-23 package, such as a Vishay Si2328. The LG output pin switches between approximately 7.5V (the VCC voltage) and ground. The LG output is capable of sourcing 250 mA, and sinking 300 mA. An external gate driver is not needed if the selected MOSFET has a total gate charge of less than 10 nC.

Use of a synchronous rectifier generally results in higher circuit efficiency due to the lower voltage drop across the MOSFET as compared to a diode. See Figure 6. Another advantage of using a synchronous rectifier is that the circuit remains in continuous conduction mode, providing a relatively constant switching frequency, for all values of load current, including zero. If a flyback diode is used, the switching frequency decreases significantly at low values of load current when the circuit changes to discontinuous conduction mode.

If a flyback diode is preferred over a synchronous rectifier, remove Q1 and install a diode at the pads labeled D1. This board accepts devices such as the DFLS1100 from Diodes Inc.

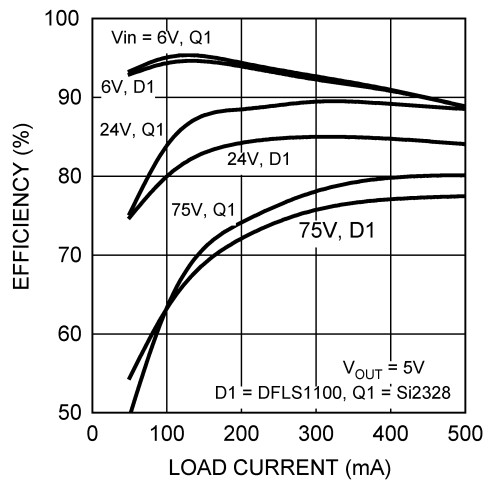


Figure 6. Efficiency Comparison at 200 kHz

## 8 Under-Voltage Detector

The Under Voltage Detector can be used to monitor the input voltage, or any other system voltage as long as the voltage at the UV pin does not exceed its maximum rating. On this evaluation board the input voltage is monitored via resistors R2 and R3.

An appropriate pull-up voltage less than 10 volts must be connected to test point TP2-UVO on this evaluation board. R4 is the pull-up resistor for the UVO output. The under-voltage status can then be monitored at the TP3-Status test point.

On this evaluation board the UVO output switches low when the input voltage exceeds 12V, and it switches high when the input voltage is less than 11V. If it is desired to change the thresholds, the equations for determining the resistor values are:

$$R2 = \frac{V_{UVH} - V_{UVL}}{5 \mu A} = \frac{V_{UV(HYS)}}{5 \mu A} \quad (6)$$

$$R3 = \frac{R2 \times 2.5V}{V_{UVL} - 2.5V} \quad (7)$$

Where:

$V_{UVH}$  is the upper threshold at VIN

$V_{UVL}$  is the lower threshold. The threshold at the UV pin is 2.5V.

The UVO output is high when the VCC voltage is below its UVLO threshold, or when the LM5006 is shutdown by grounding the TP1-SD test point, regardless of the voltage at the UV pin.

## 9 Monitor the Inductor Current

The inductor's current can be monitored or viewed on a scope with a current probe. Remove R9, and install an appropriate current loop across the two large pads where R9 was located. In this way the inductor's ripple current and peak current can be accurately determined.

## 10 Multiple Outputs

Multiple outputs can be produced by replacing the inductor (L1) with a transformer, and using a MOSFET (Q1) for synchronous rectification. The synchronous rectification is required to ensure the circuit is in continuous conduction mode at all values of the main output's load current. This ensures the secondary output voltages are correct at all times.

In [Figure 7](#), a second isolated output is provided at  $V_{OUT2}$ . Its regulation depends on the relative output voltages, current levels at the both outputs, and the design of the transformer L1. The two outputs can be isolated, or share a common ground.

[Figure 8](#) shows a circuit that provides a regulated 12V output, and two secondary 5V outputs.  $V_{OUT2}$  and  $V_{OUT3}$  can be isolated from  $V_{OUT1}$  and from each other, or share ground connections, depending on the application.



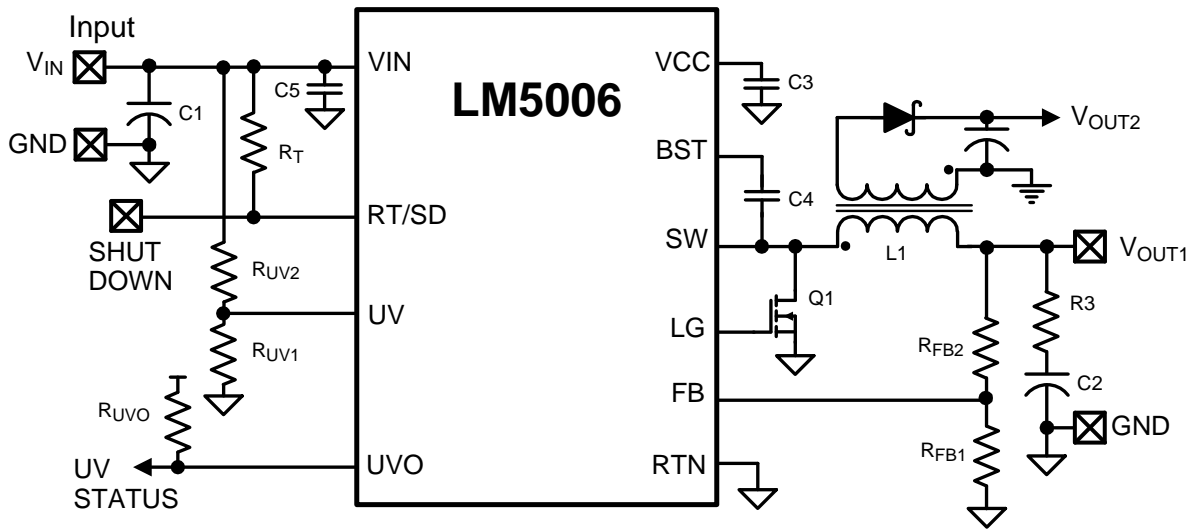


Figure 7. Generate a Secondary Output

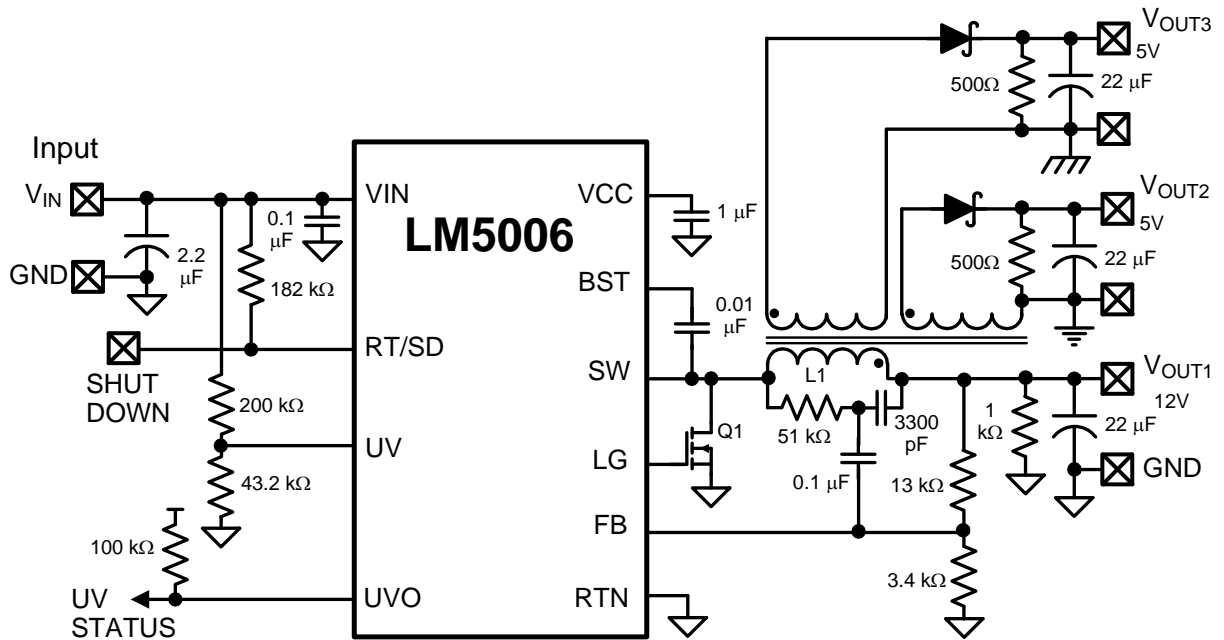


Figure 8. Generate Three Outputs

## 11 Scope Probe Adapters

Scope probe adapters are provided on this evaluation board for monitoring the waveform at the SW pin, and at the circuit's output ( $V_{OUT}$ ), without using the probe's ground lead which can pick up noise from the switching waveforms.

## 12 Bill of Materials

**Table 1. Bill of Materials**

Item	Description	Mfg., Part Number	Package	Value
C1	Ceramic Capacitor	TDK C3225X7R2A225M	1210	2.2 $\mu$ F, 100V
C2	Ceramic Capacitor	TDK C3225X7R1C156M	1210	15 $\mu$ F, 16V
C3	Ceramic Capacitor	TDK C1608X7R1C105K	0603	1 $\mu$ F, 16V
C4	Ceramic Capacitor	TDK C1608X7R2A103K	0603	0.01 $\mu$ F, 100V
C5	Ceramic Capacitor	TDK C2012X7R2A104M	0805	0.1 $\mu$ F, 100V
C6	Ceramic Capacitor	TDK C1608X7R2A332K	0603	3300 pF, 100V
C7	Ceramic Capacitor	TDK C2012X7R2A104M	0805	0.1 $\mu$ F, 100V
C8	Unpopulated			
C9	Ceramic Capacitor	TDK C1608X7R2A102K	0805	1000 pF, 100V
L1	Inductor	Coiltronics DR74-820-R or Würth Electronics 744771182		82 $\mu$ H, 1A
Q1	N-Channel MOSFET	Vishay Si2328DS	SOT-23	100V, 1.5A
R1	Resistor	Vishay CRCW0603191KF	0603	191k $\Omega$
R2	Resistor	Vishay CRCW0603200KF	0603	200k $\Omega$
R3	Resistor	Vishay CRCW060359KOF	0603	59 k $\Omega$
R4	Resistor	Vishay CRCW0603100KF	0603	100 k $\Omega$
R5	Resistor	Vishay CRCW06033KO1F	0603	3.01 k $\Omega$
R6	Resistor	Vishay CRCW06033KO1F	0603	3.01 k $\Omega$
R7	Resistor	Vishay CRCW06030000Z	0603	0 $\Omega$ jumper
R8	Resistor	Vishay CRCW060336K5F	0603	36.5 k $\Omega$
R9	Resistor	Vishay CRCW06030000Z	0603	0 $\Omega$ jumper
U1	Switching Regulator	LM5006	VSSOP-10	

### 13 Circuit Performance

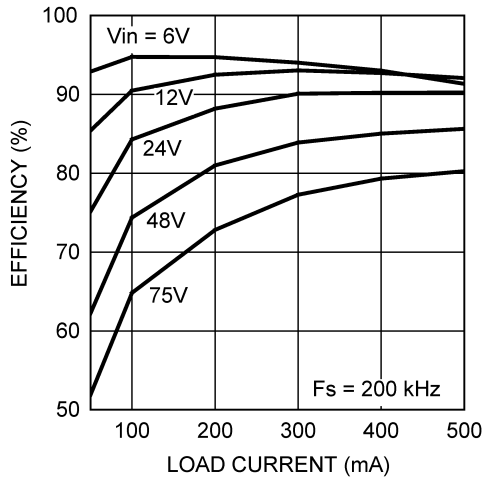


Figure 9. Efficiency vs Load Current

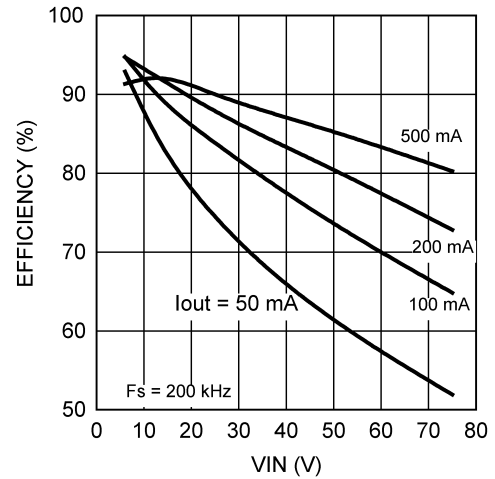


Figure 10. Efficiency vs Input Voltage

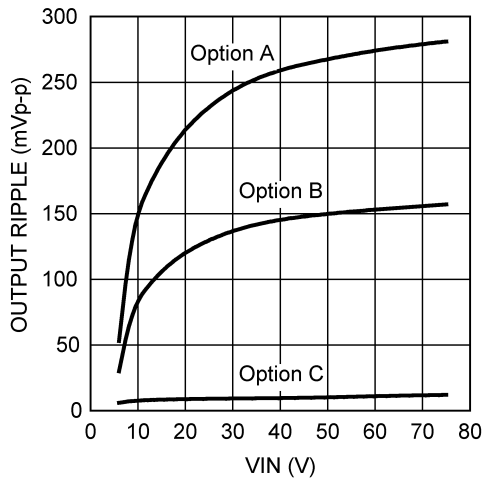


Figure 11. Output Voltage Ripple

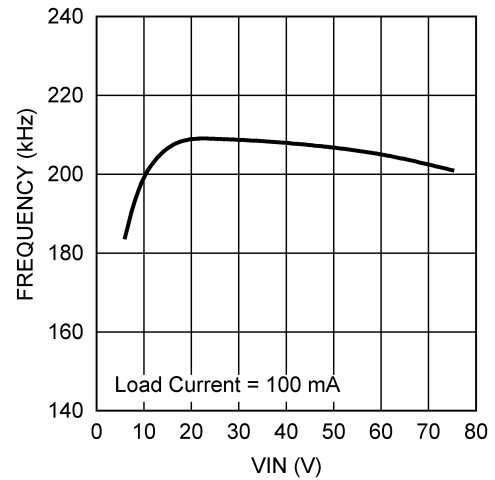
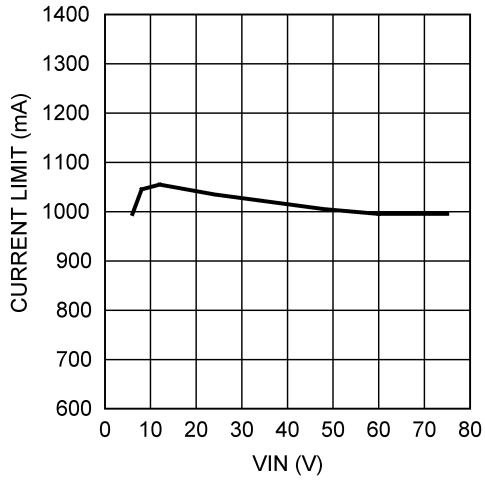
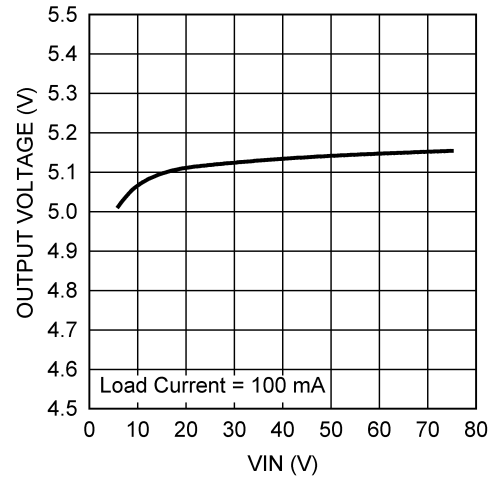


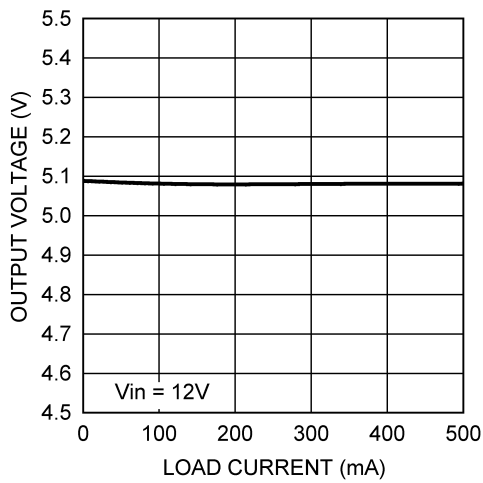
Figure 12. Switching Frequency vs. Input Voltage



**Figure 13. Current Limit vs Input Voltage**

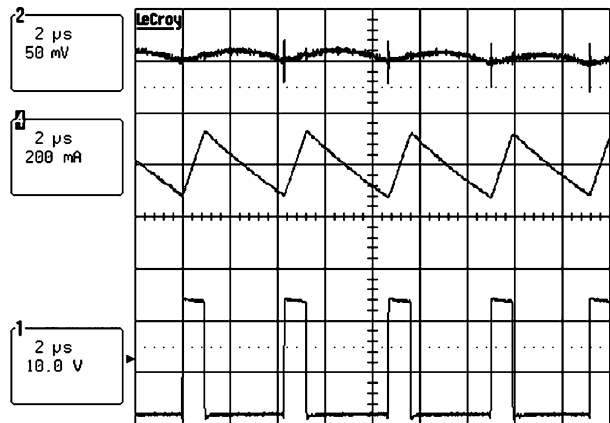


**Figure 14. Line Regulation**



**Figure 15. Load Regulation**

### 14 Typical Waveforms



Trace 1 = SW Pin  
 Trace 2 =  $V_{OUT}$   
 Trace 4 = Inductor Current  
 $V_{in} = 12V$ ,  $I_{out} = 200\text{ mA}$

Figure 16. Typical Waveforms

### 15 PC Board Layout

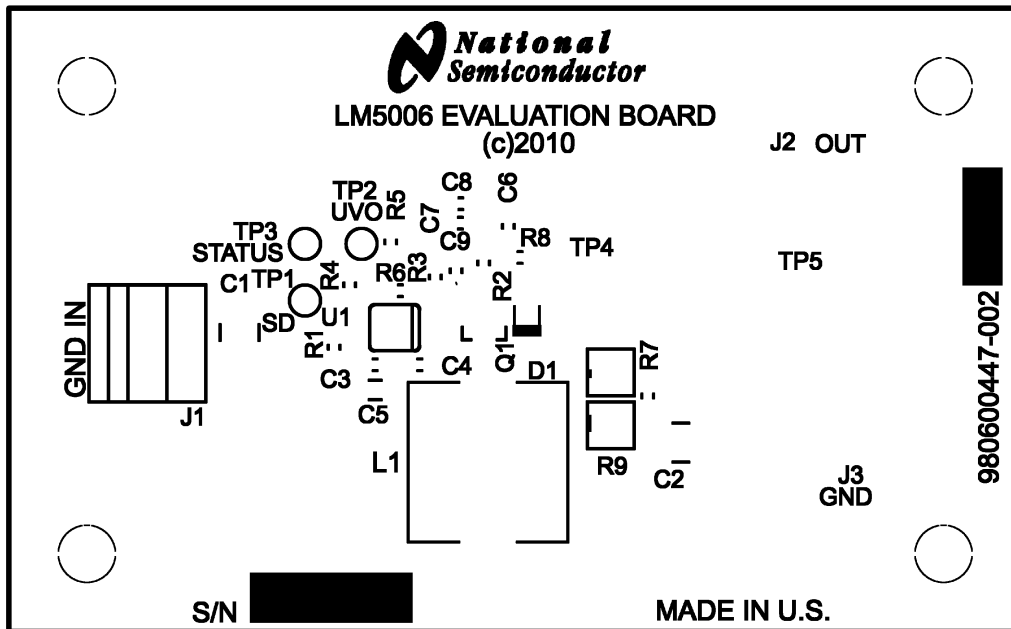


Figure 17. Board Silkscreen

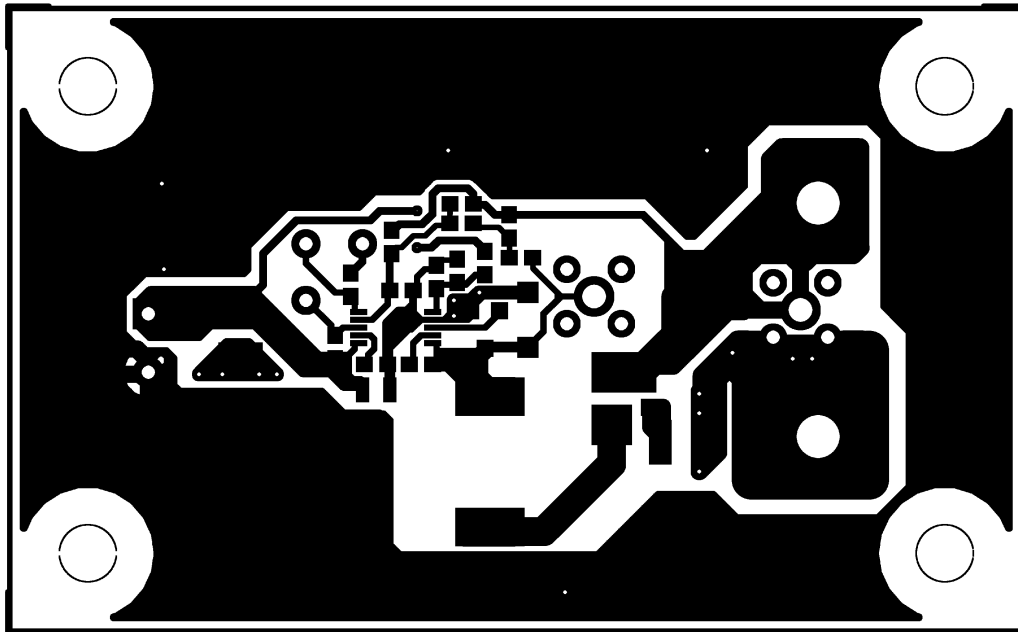


Figure 18. Board Top Layer

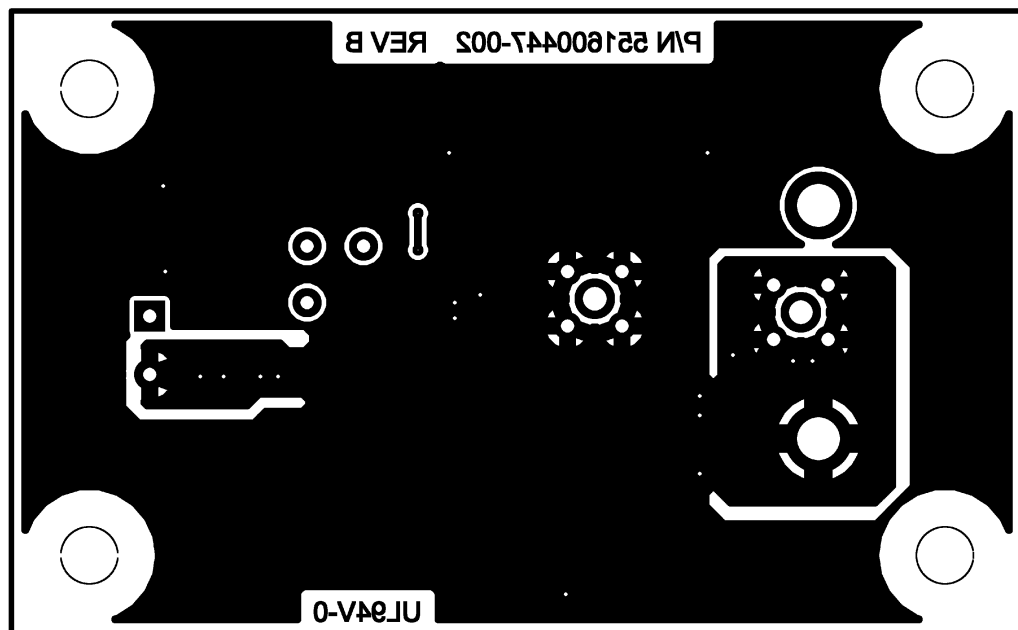


Figure 19. Board Bottom Layer (Viewed from Top)

## IMPORTANT NOTICE

Texas Instruments Incorporated and its subsidiaries (TI) reserve the right to make corrections, enhancements, improvements and other changes to its semiconductor products and services per JESD46, latest issue, and to discontinue any product or service per JESD48, latest issue. Buyers should obtain the latest relevant information before placing orders and should verify that such information is current and complete. All semiconductor products (also referred to herein as "components") are sold subject to TI's terms and conditions of sale supplied at the time of order acknowledgment.

TI warrants performance of its components to the specifications applicable at the time of sale, in accordance with the warranty in TI's terms and conditions of sale of semiconductor products. Testing and other quality control techniques are used to the extent TI deems necessary to support this warranty. Except where mandated by applicable law, testing of all parameters of each component is not necessarily performed.

TI assumes no liability for applications assistance or the design of Buyers' products. Buyers are responsible for their products and applications using TI components. To minimize the risks associated with Buyers' products and applications, Buyers should provide adequate design and operating safeguards.

TI does not warrant or represent that any license, either express or implied, is granted under any patent right, copyright, mask work right, or other intellectual property right relating to any combination, machine, or process in which TI components or services are used. Information published by TI regarding third-party products or services does not constitute a license to use such products or services or a warranty or endorsement thereof. Use of such information may require a license from a third party under the patents or other intellectual property of the third party, or a license from TI under the patents or other intellectual property of TI.

Reproduction of significant portions of TI information in TI data books or data sheets is permissible only if reproduction is without alteration and is accompanied by all associated warranties, conditions, limitations, and notices. TI is not responsible or liable for such altered documentation. Information of third parties may be subject to additional restrictions.

Resale of TI components or services with statements different from or beyond the parameters stated by TI for that component or service voids all express and any implied warranties for the associated TI component or service and is an unfair and deceptive business practice. TI is not responsible or liable for any such statements.

Buyer acknowledges and agrees that it is solely responsible for compliance with all legal, regulatory and safety-related requirements concerning its products, and any use of TI components in its applications, notwithstanding any applications-related information or support that may be provided by TI. Buyer represents and agrees that it has all the necessary expertise to create and implement safeguards which anticipate dangerous consequences of failures, monitor failures and their consequences, lessen the likelihood of failures that might cause harm and take appropriate remedial actions. Buyer will fully indemnify TI and its representatives against any damages arising out of the use of any TI components in safety-critical applications.

In some cases, TI components may be promoted specifically to facilitate safety-related applications. With such components, TI's goal is to help enable customers to design and create their own end-product solutions that meet applicable functional safety standards and requirements. Nonetheless, such components are subject to these terms.

No TI components are authorized for use in FDA Class III (or similar life-critical medical equipment) unless authorized officers of the parties have executed a special agreement specifically governing such use.

Only those TI components which TI has specifically designated as military grade or "enhanced plastic" are designed and intended for use in military/aerospace applications or environments. Buyer acknowledges and agrees that any military or aerospace use of TI components which have **not** been so designated is solely at the Buyer's risk, and that Buyer is solely responsible for compliance with all legal and regulatory requirements in connection with such use.

TI has specifically designated certain components as meeting ISO/TS16949 requirements, mainly for automotive use. In any case of use of non-designated products, TI will not be responsible for any failure to meet ISO/TS16949.

### Products

Audio	<a href="http://www.ti.com/audio">www.ti.com/audio</a>
Amplifiers	<a href="http://amplifier.ti.com">amplifier.ti.com</a>
Data Converters	<a href="http://dataconverter.ti.com">dataconverter.ti.com</a>
DLP® Products	<a href="http://www.dlp.com">www.dlp.com</a>
DSP	<a href="http://dsp.ti.com">dsp.ti.com</a>
Clocks and Timers	<a href="http://www.ti.com/clocks">www.ti.com/clocks</a>
Interface	<a href="http://interface.ti.com">interface.ti.com</a>
Logic	<a href="http://logic.ti.com">logic.ti.com</a>
Power Mgmt	<a href="http://power.ti.com">power.ti.com</a>
Microcontrollers	<a href="http://microcontroller.ti.com">microcontroller.ti.com</a>
RFID	<a href="http://www.ti-rfid.com">www.ti-rfid.com</a>
OMAP Applications Processors	<a href="http://www.ti.com/omap">www.ti.com/omap</a>
Wireless Connectivity	<a href="http://www.ti.com/wirelessconnectivity">www.ti.com/wirelessconnectivity</a>

### Applications

Automotive and Transportation	<a href="http://www.ti.com/automotive">www.ti.com/automotive</a>
Communications and Telecom	<a href="http://www.ti.com/communications">www.ti.com/communications</a>
Computers and Peripherals	<a href="http://www.ti.com/computers">www.ti.com/computers</a>
Consumer Electronics	<a href="http://www.ti.com/consumer-apps">www.ti.com/consumer-apps</a>
Energy and Lighting	<a href="http://www.ti.com/energy">www.ti.com/energy</a>
Industrial	<a href="http://www.ti.com/industrial">www.ti.com/industrial</a>
Medical	<a href="http://www.ti.com/medical">www.ti.com/medical</a>
Security	<a href="http://www.ti.com/security">www.ti.com/security</a>
Space, Avionics and Defense	<a href="http://www.ti.com/space-avionics-defense">www.ti.com/space-avionics-defense</a>
Video and Imaging	<a href="http://www.ti.com/video">www.ti.com/video</a>

### TI E2E Community

[e2e.ti.com](http://e2e.ti.com)