

LB-41 Precision Reference Uses Only 10 Microamperes

ABSTRACT

This application report discusses how a precision reference uses only 10 microamperes.

Increasing interest in battery-operated analog and digital circuitry in recent years has created the need for a micro-power voltage reference. In particular, the reference should draw 10 μA or less and operate from a single 5V supply. These requirements eliminate zener diodes that tend to have unpredictable temperature drift and are noisy at low currents and low voltages. One possibility is the LM103 series of punch-through diodes that have break-down voltages of 1.8V to 5.6V and operate well at 10 μA . Unfortunately, these devices drift at $-5\text{ mV}/^\circ\text{C}$ and extra circuitry must be added to create a low-drift reference. Non-linearity in the drift characteristic limits usable drift compensation to about 50 ppm/ $^\circ\text{C}$. Variations in slope from device to device can be up to $\pm 0.5\text{ mV}/^\circ\text{C}$, so each reference must be individually corrected for temperature drift in an oven test.

The LM134 current source can provide an interesting solution to the low-power-drain reference problem. This device is a 3-terminal current source that has a compliance of 1V to 40V and is programmable over a current range of 1 μA to 10 mA. Current is determined by an external resistor. With a zero drift resistor, the LM134 current is directly proportional to absolute temperature ($^\circ\text{K}$). Untrimmed accuracy of the current is $\pm 3\%$, but the key to the success of the LM134 is that initial errors are gain errors that are trimmed to zero when the external resistor is adjusted. Independent of initial current, if the current is adjusted to 298 μA at $T = 25^\circ\text{C}$ (298 $^\circ\text{K}$), all devices will have a current dependence of $1 \pm 0.01\ \mu\text{A}/^\circ\text{C}$.

A voltage reference can be made by combining the positive temperature coefficient of the LM134 with the negative TC of a forward-biased diode. The IC terminology for such a reference is “bandgap reference” because the total voltage of the reference is equal to the extrapolated (0°K) bandgap voltage of silicon. An important characteristic of bandgap references is that the zero TC voltage is independent of diode current even though the diode voltage and TC are not. This means that by adjusting the total voltage of the reference to a fixed value, TC will be adjusted to near zero at the same time. The zero TC voltage for most bandgap references falls between 1.20V and 1.28V.

The circuit in [Figure 1](#) is a micropower reference using the LM134 and an MPSA43 transistor connected as a diode with collector-base shorted. A transistor is used in place of a diode because the transistor characteristics as a double-diffused structure are more consistent than a diode. In particular, the emitter-biased voltage drift of wide-base high-voltage transistors connected as diodes is very linear with temperature.

In [Figure 1](#), the LM134 controls the voltage between its R and V^- terminals to $\approx 64\text{ mV}$. About 5.5% of the current out of the R terminal flows out of the V^- terminal. The total current flowing through R2 is then determined by $67.7\text{ mV}/R1$. Output voltage is the sum of the diode voltage, plus the voltage across R2, plus 64 mV. The voltage TC across R2 and the 64 mV is positive and directly proportional to absolute temperature while the diode TC is negative. The overall TC of the output will be near zero ($< 50\text{ ppm}/^\circ\text{C}$) when the output is adjusted to 1.253V by trimming R2. To obtain this level of performance, R1 and R2 must track well over temperature. 1% metal film resistors are suggested.

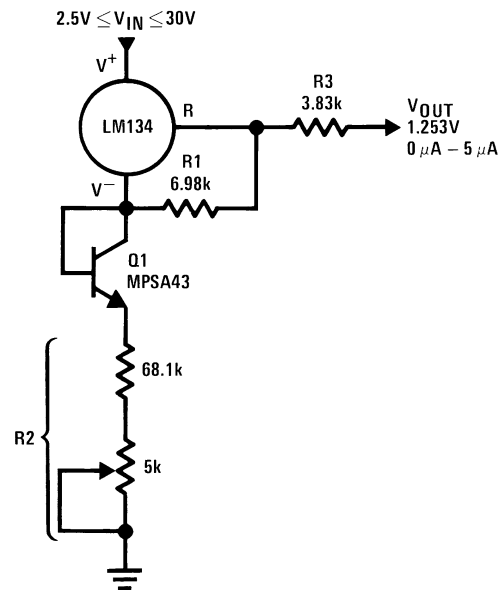


Figure 1. Micropower Reference Circuit

For optimum results with a single point adjustment of voltage and temperature coefficient, an additional error term must be accounted for. Internal to the LM134 are low I_{dss} FETs used for starting the control loop. This FET current adds directly to the V^- pin current and therefore creates an additional output voltage equal to $(I_{dss})(R2)$. Typical I_{dss} is 200 nA, causing V_{OUT} to be 14 mV high. Temperature coefficient of I_{dss} is low, typically 0.1%/°C. For best results in a single point adjustment, V_{OUT} should be adjusted to $1.253V + I_{dss}(R2)$. I_{dss} can be easily measured by open circuiting R1 and measuring the drop across R2. The resulting voltage must be divided by 2 due to an internal action which causes 2 I_{dss} to flow when no current flows from the R pin. Example: with R1 open, 32 mV is measured across R2. Set V_{OUT} equal to $1.253V + 32\text{ mV}/2 = 1.269V$. Even lower TC can be obtained by measuring the output at two temperatures and using the following formula to calculate the exact zero TC output voltage for each reference:

$$V_{OUT}(0\text{ TC}) = V1 - \frac{T1(V2 - V1)}{T2 - T1} \quad (1)$$

Where:

V1 = Output voltage at T1

V2 = Output voltage at T2

T = Absolute temperature (°K)

The limitation on temperature drift after a 2 point calibration is non-linearity. This reference circuit has a non-reducible bow error of $\approx 10\text{ ppm}/^\circ\text{C}$ over a temperature range of -25°C to $+100^\circ\text{C}$ and $\approx 5\text{ ppm}/^\circ\text{C}$ from 0°C to $+70^\circ\text{C}$. At 125°C , leakage creates significant error, causing the output voltage to droop about 5 mV.

Noise of the reference consists primarily of theoretical shot noise current from the LM134. At the $10\ \mu\text{A}$ level, this is about $6\ \mu\text{A}/\sqrt{\text{Hz}}\text{ rms}$ from 10 Hz to 10 kHz. Total output noise would be $0.4\ \mu\text{V}/\sqrt{\text{Hz}}\text{ rms}$ over this frequency range, except that C1 bypasses most of the noise above 2 kHz. Measured output noise was $25\ \mu\text{V rms}$ over a 10 Hz to 10 kHz bandwidth with $C1 = 1000\ \text{pF}$. Larger values of C1 may be used if lower broadband noise is needed. Low frequency noise is about 25 μV peak-to-peak from 0.1 Hz to 10 Hz.

The LM134 has a negative output resistance at the R pin when resistance is inserted in series with the V^- pin. The value of this negative resistance is approximately $-R_x/19$, where R_x is the equivalent resistance from V^- to ground. In this reference circuit R_x is 72 k Ω , yielding a negative output resistance of 3.8 k Ω . Resistor R2 sums with this resistance to give the reference a net zero output resistance ($\pm 400\ \Omega$). Loading should be limited to about 5 μA . Line regulation for the reference is typically less than 0.5 mV with an input voltage of $5V \pm 2V$. Minimum input voltage for a 2 mV drop in output voltage is 2.5V at -55°C , 2.4V at 25°C and 2.3V at 125°C .

Although this reference was designed for ultra-low operating current, there is no reason that it cannot be used at higher current levels as well. All resistor values are simply scaled downward. Higher operating current will give lower output resistance, more drive capability, less sensitivity to FET I_{dss} , lower noise, and less droop at 125°C.

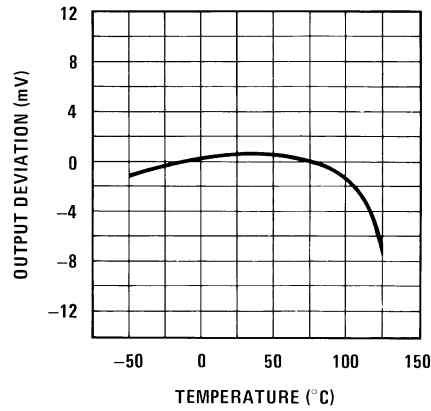


Figure 2. Output Voltage Drift

IMPORTANT NOTICE

Texas Instruments Incorporated and its subsidiaries (TI) reserve the right to make corrections, enhancements, improvements and other changes to its semiconductor products and services per JESD46, latest issue, and to discontinue any product or service per JESD48, latest issue. Buyers should obtain the latest relevant information before placing orders and should verify that such information is current and complete. All semiconductor products (also referred to herein as "components") are sold subject to TI's terms and conditions of sale supplied at the time of order acknowledgment.

TI warrants performance of its components to the specifications applicable at the time of sale, in accordance with the warranty in TI's terms and conditions of sale of semiconductor products. Testing and other quality control techniques are used to the extent TI deems necessary to support this warranty. Except where mandated by applicable law, testing of all parameters of each component is not necessarily performed.

TI assumes no liability for applications assistance or the design of Buyers' products. Buyers are responsible for their products and applications using TI components. To minimize the risks associated with Buyers' products and applications, Buyers should provide adequate design and operating safeguards.

TI does not warrant or represent that any license, either express or implied, is granted under any patent right, copyright, mask work right, or other intellectual property right relating to any combination, machine, or process in which TI components or services are used. Information published by TI regarding third-party products or services does not constitute a license to use such products or services or a warranty or endorsement thereof. Use of such information may require a license from a third party under the patents or other intellectual property of the third party, or a license from TI under the patents or other intellectual property of TI.

Reproduction of significant portions of TI information in TI data books or data sheets is permissible only if reproduction is without alteration and is accompanied by all associated warranties, conditions, limitations, and notices. TI is not responsible or liable for such altered documentation. Information of third parties may be subject to additional restrictions.

Resale of TI components or services with statements different from or beyond the parameters stated by TI for that component or service voids all express and any implied warranties for the associated TI component or service and is an unfair and deceptive business practice. TI is not responsible or liable for any such statements.

Buyer acknowledges and agrees that it is solely responsible for compliance with all legal, regulatory and safety-related requirements concerning its products, and any use of TI components in its applications, notwithstanding any applications-related information or support that may be provided by TI. Buyer represents and agrees that it has all the necessary expertise to create and implement safeguards which anticipate dangerous consequences of failures, monitor failures and their consequences, lessen the likelihood of failures that might cause harm and take appropriate remedial actions. Buyer will fully indemnify TI and its representatives against any damages arising out of the use of any TI components in safety-critical applications.

In some cases, TI components may be promoted specifically to facilitate safety-related applications. With such components, TI's goal is to help enable customers to design and create their own end-product solutions that meet applicable functional safety standards and requirements. Nonetheless, such components are subject to these terms.

No TI components are authorized for use in FDA Class III (or similar life-critical medical equipment) unless authorized officers of the parties have executed a special agreement specifically governing such use.

Only those TI components which TI has specifically designated as military grade or "enhanced plastic" are designed and intended for use in military/aerospace applications or environments. Buyer acknowledges and agrees that any military or aerospace use of TI components which have **not** been so designated is solely at the Buyer's risk, and that Buyer is solely responsible for compliance with all legal and regulatory requirements in connection with such use.

TI has specifically designated certain components as meeting ISO/TS16949 requirements, mainly for automotive use. In any case of use of non-designated products, TI will not be responsible for any failure to meet ISO/TS16949.

Products

Audio	www.ti.com/audio
Amplifiers	amplifier.ti.com
Data Converters	dataconverter.ti.com
DLP® Products	www.dlp.com
DSP	dsp.ti.com
Clocks and Timers	www.ti.com/clocks
Interface	interface.ti.com
Logic	logic.ti.com
Power Mgmt	power.ti.com
Microcontrollers	microcontroller.ti.com
RFID	www.ti-rfid.com
OMAP Applications Processors	www.ti.com/omap
Wireless Connectivity	www.ti.com/wirelessconnectivity

Applications

Automotive and Transportation	www.ti.com/automotive
Communications and Telecom	www.ti.com/communications
Computers and Peripherals	www.ti.com/computers
Consumer Electronics	www.ti.com/consumer-apps
Energy and Lighting	www.ti.com/energy
Industrial	www.ti.com/industrial
Medical	www.ti.com/medical
Security	www.ti.com/security
Space, Avionics and Defense	www.ti.com/space-avionics-defense
Video and Imaging	www.ti.com/video

TI E2E Community

e2e.ti.com