

Jacinto 7 Display Subsystem Overview



Mahmut Ciftci and Steve Reis

ABSTRACT

This application report summarizes TDA4VM and DRA829V SoCs' display subsystem capabilities.

Table of Contents

1 Introduction	2
2 Jacinto 7 Display Subsystem Overview	2
2.1 Video (Input) Pipelines.....	2
2.2 Writeback Pipeline.....	3
2.3 Overlay Manager.....	3
2.4 Output Processing.....	3
2.5 Output Display Interfaces.....	3
2.6 Safety Support.....	4
3 Display Subsystem Use-case Examples	5
3.1 3-Display Configuration.....	5
4 TDA4VM/DRA829V Hardware Display Support	6
5 Display Subsystem Software Architecture	6
5.1 Linux DSS Architecture.....	6
5.2 QNX Software Architecture.....	7
5.3 RTOS-Based DSS Support.....	7
6 References	7

List of Figures

Figure 2-1. TDA4 / DRA829V Display Subsystem Architecture.....	2
Figure 2-2. Display Subsystem Input and Output Frame Region Safety Checker.....	4
Figure 3-1. 3-Display Configuration.....	5
Figure 3-2. Multi-Display Support With eDP.....	5
Figure 4-1. TDA4VM/DRA829V EVM Multi-Display Support.....	6
Figure 5-1. Linux DSS and GPU Architecture.....	6

Trademarks

All trademarks are the property of their respective owners.

1 Introduction

Jacinto 7 [TDA4VM](#) and [DRA829V](#) processors [1, 2] Display Sub-System (DSS) provides the logic to output video frames stored in the memory to the external display interfaces. The DSS performs multi-layer composition for the display output and supports a set of industry standard display interfaces to drive wide range of display panel resolutions. For the complete DSS feature-set, see the [DRA829/TDA4VM Technical Reference Manual](#) [3].

2 Jacinto 7 Display Subsystem Overview

The DSS is a flexible composition-enabled display subsystem, that supports multiple high resolution display outputs. The DSS supports a multi-layer blending and transparency for each of its display outputs. The DSS block diagram is shown in [Figure 2-1](#).

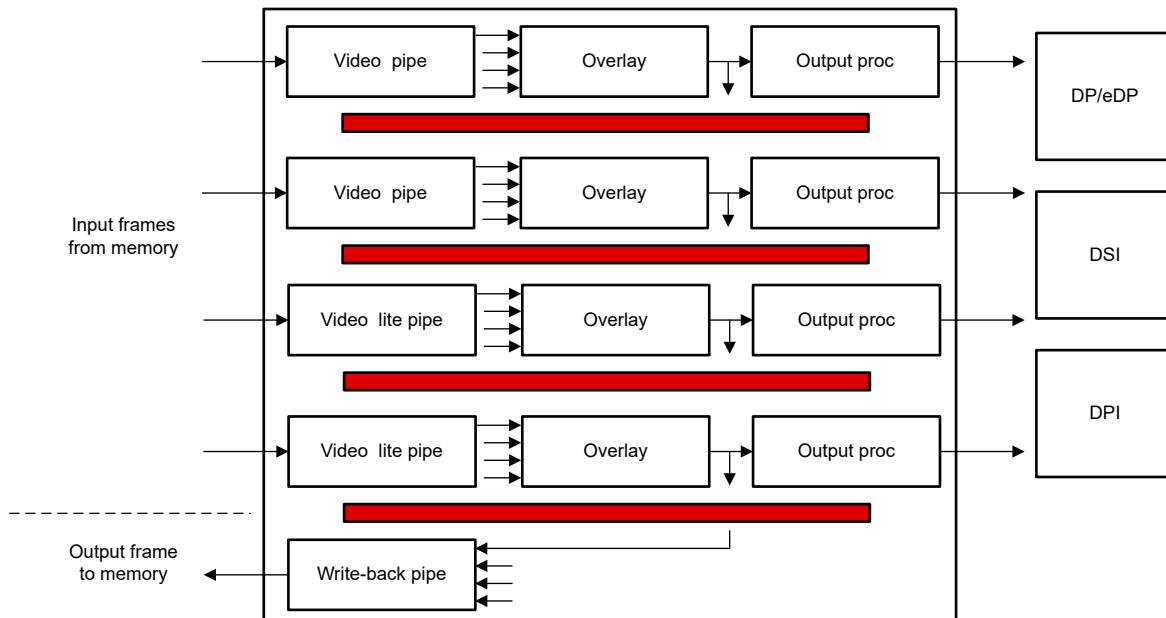


Figure 2-1. TDA4 / DRA829V Display Subsystem Architecture

The DSS is divided into blocks that are connected internally and high-level features that are summarized in the next sections.

2.1 Video (Input) Pipelines

- 4x input display pipes enable up to 4 concurrent displays
 - 2x Video pipelines and 2x Video Lite pipelines
- Each pipe supports 10-bit width for HDR video
- Input RGB and YUV source pixel formats
- 4K x2K (UHD) resolution support
- Flexible line-buffer enables >4K line width for wide/short displays (8Kx1k)
- 2x Video Pipelines support upscaling and downscaling
 - Programmable poly-phase filter (scaler)
 - Independent horizontal and vertical re-sampling: up-sampling (up to x16) and down-sampling (down to x0.25)
- Color Space Conversion
- Programmable VC1 range mapping
- Programmable Brightness/Contrast/Hue/Saturation
- Programmable Gamma Correction LUT
- Luma Key generation

2.2 Writeback Pipeline

- One Write-back pipeline can be used to store composited image to memory for additional blending or for transmission over other interfaces (PCIe, Eth.)
- Destination RGB and YUV pixel formats
- Programmable poly-phase filter (scaler) with up and down-scaling

2.3 Overlay Manager

- On-the-Fly Composition enables alpha blending on up to 4 input pipelines
- Transparency color key (source and destination)
- Alpha blending support: Embedded pixel alpha (ARGB and RGBA), global pixel, and combination of global pixel and pixel alpha
- Z-order programmable (full flexibility)
- Color Processing per pipe supports gamma correction, color space conversion, BCHS control, output dithering, scaling

2.4 Output Processing

- 12-bit output processing pipeline
- Fully programmable Color Space Conversion matrix to serve as color phase rotation (CPR)
- Brightness/Contrast/Saturation control
- Gamma Correction

2.5 Output Display Interfaces

DSS supports multiple display output interfaces: DP/eDP, DSI and DPI.

2.5.1 Embedded Display Port (eDP)

- Compliance with VESA Display Port (DP) 1.3 (with 1.4 DSC/FEC support) specification
- Compliance with VESA embedded Display Port (eDP) 1.4 specification
- Static configuration of either DP or eDP mode
- Single Stream Transport (SST)
- Multiple Stream Transport (MST)
 - Up to 4 video and up to 1 audio sources
 - Support for up to 25 Gbps throughput (equivalent to approximately 4K + 2xFHD streams) use case
- The DP (Physical Layer) SERDES and Aux PHY modules support
 - DP1.3 HBR3 and eDP1.4a HBR3 throughput
 - 1, 2, or 4 lanes at 1.62 Gbps, 2.7 Gbps, 5.4 Gbps, and 8.1 Gbps per lane
 - Hot Plug Detect (HPD) for connection detection and interrupt from sink

2.5.2 MIPI Display Serial Interface (DSI)

- Compliance with MIPI DSI v1.3.1 protocol specification and previous specifications
- Programmable display resolutions with maximum clock rate not exceeding the total available bandwidth over 4MPix @60fps
 - Supporting resolutions up to 2560x1440 @60fps (2.5K)
- The MIPI DSI (Physical Layer) D-PHY module supports:
 - Compliance with MIPI D-PHY 1.2 physical layer interface specification and features
 - 1, 2 or 4 data lanes, in addition to clock signaling
 - Maximum data rate up to 2.5 Gbps per data lane
- It supports up to 4 x 2.5 Gbps D-PHY data lanes in a single-link configuration and handles the byte lane mapping per use case (1, 2, 3, or 4-lanes)

2.5.3 Display Parallel Interface (DPI)

- Support for resolutions to FHD (1920x1080 @ 60fps)
- 24-bit or 16-bit MIPI DPI 2.0
- BT.656 and BT.1120

2.6 Safety Support

- Enhanced safety features. Entire display subsystem is designed for ASIL-B.
- DSS supports the following safety check regions to implement the safety as shown in [Figure 2-2](#).
 - Input pipelines: One safety check region at the output of each video pipeline.
 - Output ports: Up to four sub-regions within the active video output area of the final display output of each video port.
- Each safety check region supports
 - Data correctness check: To verify intended data is shown correctly on the display.
 - Freeze frame detection: To notify a possible frame freeze, when there is no change in the display frame over a multiple frame periods.
- Display pipe and Display management isolation enables virtualization via separate virtual machine ownership per pipe.
 - Each data pipe and corresponding control registers are segmented on separate 64K firewall-protected regions.
 - Each data overlay and output processing control registers are segmented on separate 64K firewall-protected regions.

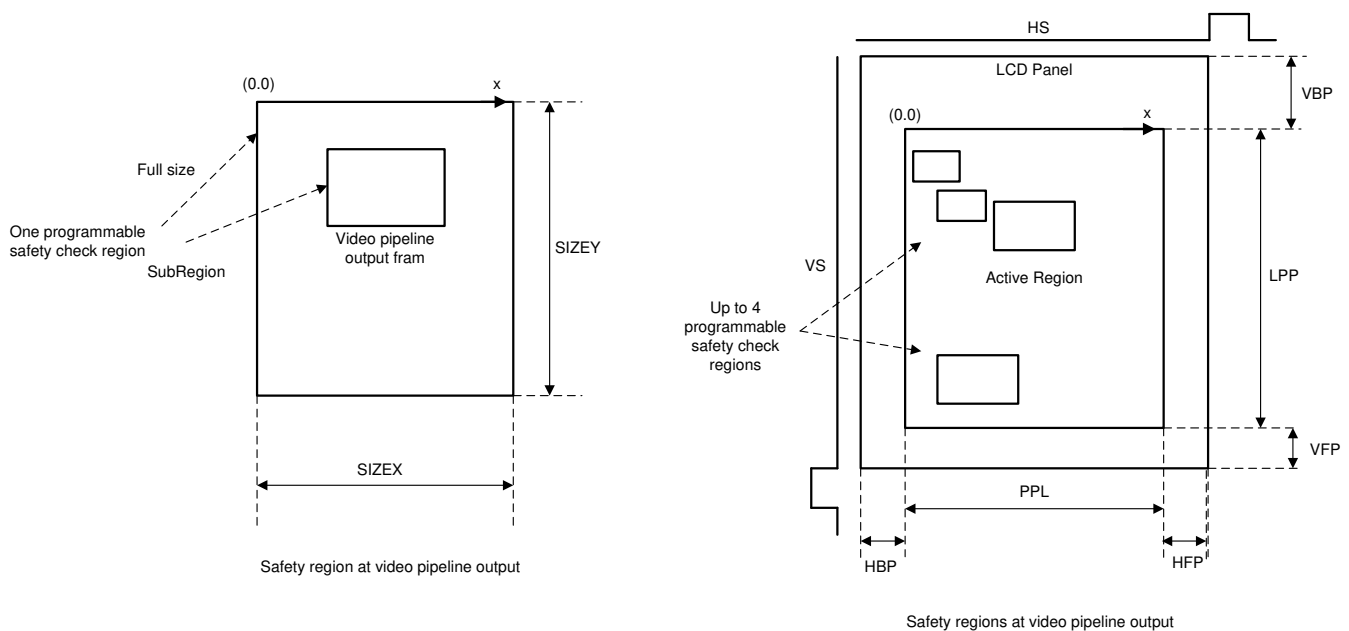


Figure 2-2. Display Subsystem Input and Output Frame Region Safety Checker

3 Display Subsystem Use-case Examples

3.1 3-Display Configuration

Figure 3-1 shows example of 3-display use-case: 1x4K or Wide 8K, 1x2.5K and 1x1080p.

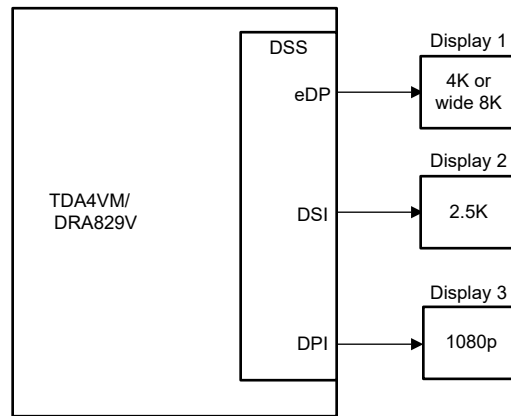


Figure 3-1. 3-Display Configuration

With Multi-Stream Transport mode, the eDP interface can drive multiple displays through daisy chaining. Such an example is shown below where eDP drives 1x4K, and 2x1080 displays.

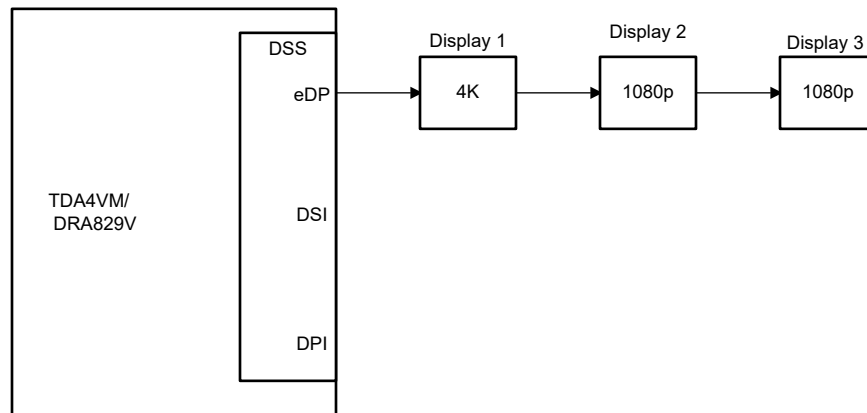


Figure 3-2. Multi-Display Support With eDP

4 TDA4VM/DRA829V Hardware Display Support

TDA4VM/DRA829V evaluation module (J721EXCPXEVM) [4] enables following display outputs as shown in Figure 4-1.

- DP out to DP connector
- DSI out to
 - DSI connector
 - DSI-to-FPD-Link IV to Fakra connector
- DPI out to expansion connector (to Audio and display expansion card)
 - DPI-to-HDMI converter to HDMI connector
 - DPI-to-FPD-LinkIII to Fakra connector

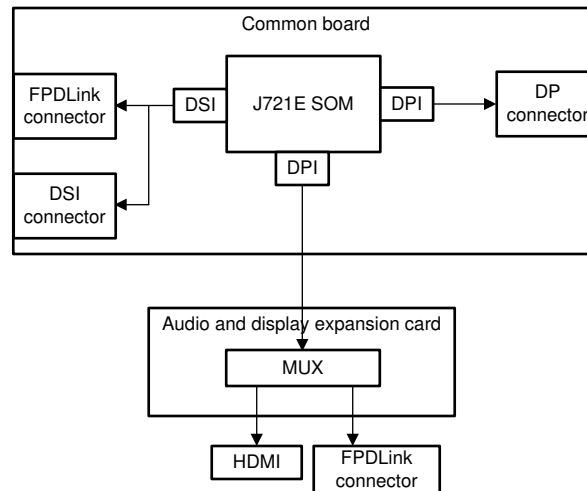


Figure 4-1. TDA4VM/DRA829V EVM Multi-Display Support

5 Display Subsystem Software Architecture

Linux and QNX processor SDKs and PSDK RTOS for TDA4xx /DRA8xx SoCs [5] support DSS driver.

5.1 Linux DSS Architecture

Linux DSS software architecture including GPU support and Windowing system support is shown in Figure 5-1.

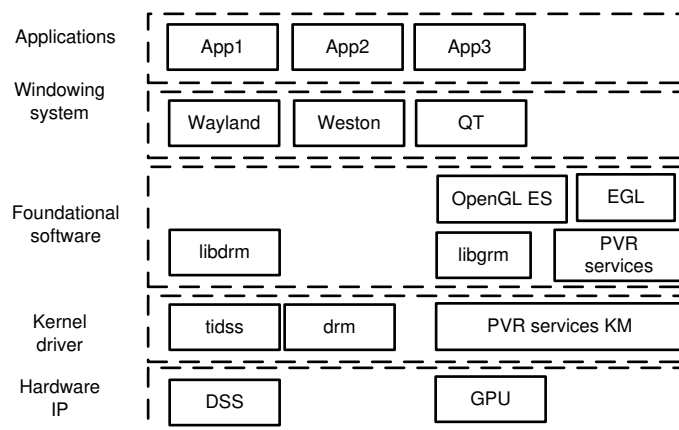


Figure 5-1. Linux DSS and GPU Architecture

DSS software support details can be found as part of SDK documentation at: https://software-dl.ti.com/jacinto7/esd/processor-sdk-linux-jacinto7/08_00_00_08/exports/docs/linux/Foundational_Components/Graphics/Graphics_and_Display.html#display

5.2 QNX Software Architecture

DSS driver on QNX SDK can be supported through the QNX Screen Graphics Subsystem. Architecture details can be found on qnx.com at: http://www.qnx.com/developers/docs/7.1/#com.qnx.doc.screen/topic/manual/cscreen_about.html

5.3 RTOS-Based DSS Support

In addition to Linux and QNX HLOS, DSS driver is supported on RTOS running on R5F core. For more information, see the PSDK RTOS package as part of TDA4VM/DRA829V SDK release [5].

6 References

1. [TDA4VM](#) product page
2. [DRA829V](#) product page
3. Texas Instruments: [DRA829/TDA4VM Technical Reference Manual](#)
4. TDA4VM/DRA829 Evaluation Module (<https://www.ti.com/tool/J721EXCPXEVM>)
5. [Software Development Kit for TDA4VM/DRA829 Jacinto Processors](#)

IMPORTANT NOTICE AND DISCLAIMER

TI PROVIDES TECHNICAL AND RELIABILITY DATA (INCLUDING DATA SHEETS), DESIGN RESOURCES (INCLUDING REFERENCE DESIGNS), APPLICATION OR OTHER DESIGN ADVICE, WEB TOOLS, SAFETY INFORMATION, AND OTHER RESOURCES "AS IS" AND WITH ALL FAULTS, AND DISCLAIMS ALL WARRANTIES, EXPRESS AND IMPLIED, INCLUDING WITHOUT LIMITATION ANY IMPLIED WARRANTIES OF MERCHANTABILITY, FITNESS FOR A PARTICULAR PURPOSE OR NON-INFRINGEMENT OF THIRD PARTY INTELLECTUAL PROPERTY RIGHTS.

These resources are intended for skilled developers designing with TI products. You are solely responsible for (1) selecting the appropriate TI products for your application, (2) designing, validating and testing your application, and (3) ensuring your application meets applicable standards, and any other safety, security, regulatory or other requirements.

These resources are subject to change without notice. TI grants you permission to use these resources only for development of an application that uses the TI products described in the resource. Other reproduction and display of these resources is prohibited. No license is granted to any other TI intellectual property right or to any third party intellectual property right. TI disclaims responsibility for, and you will fully indemnify TI and its representatives against, any claims, damages, costs, losses, and liabilities arising out of your use of these resources.

TI's products are provided subject to [TI's Terms of Sale](#) or other applicable terms available either on ti.com or provided in conjunction with such TI products. TI's provision of these resources does not expand or otherwise alter TI's applicable warranties or warranty disclaimers for TI products.

TI objects to and rejects any additional or different terms you may have proposed.

Mailing Address: Texas Instruments, Post Office Box 655303, Dallas, Texas 75265
Copyright © 2022, Texas Instruments Incorporated