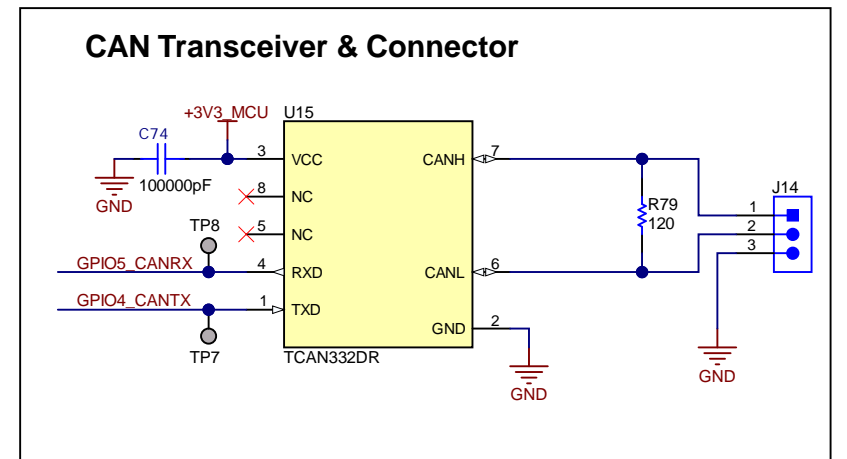
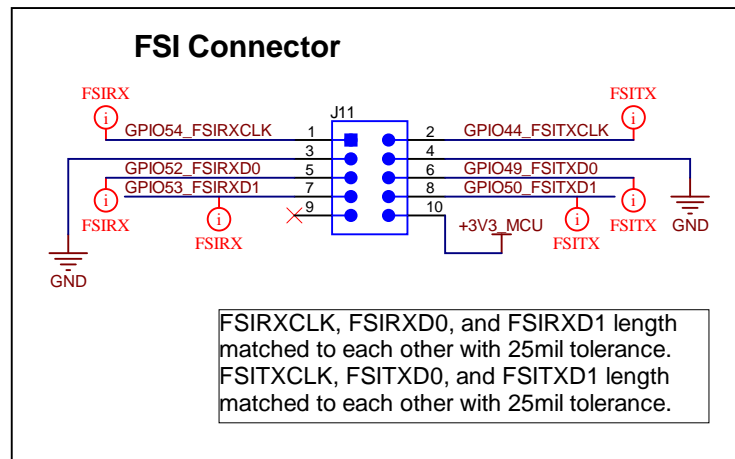
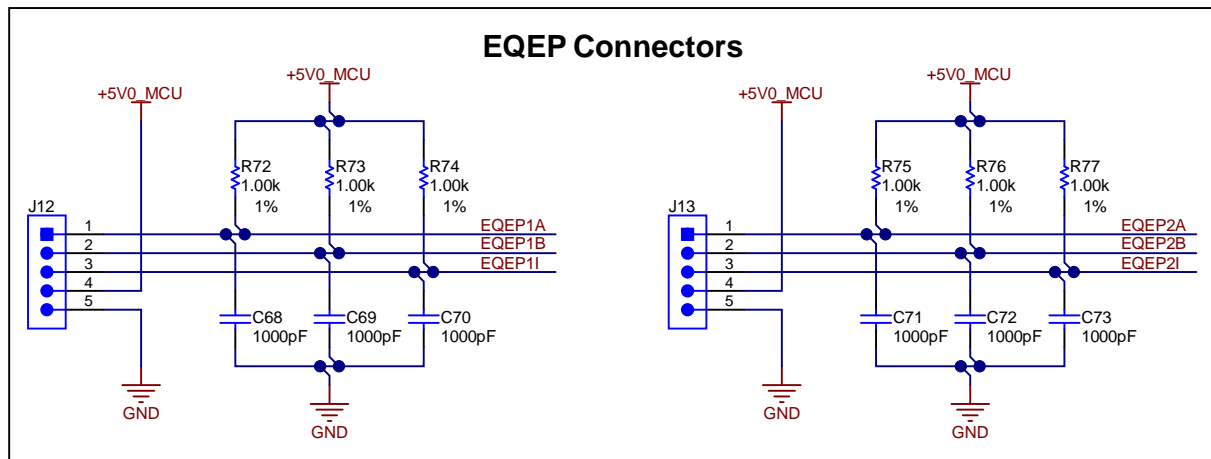
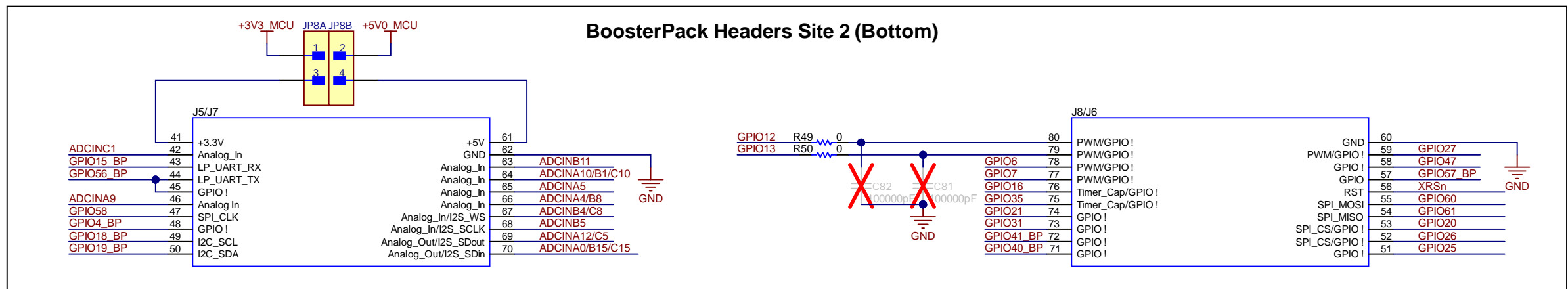
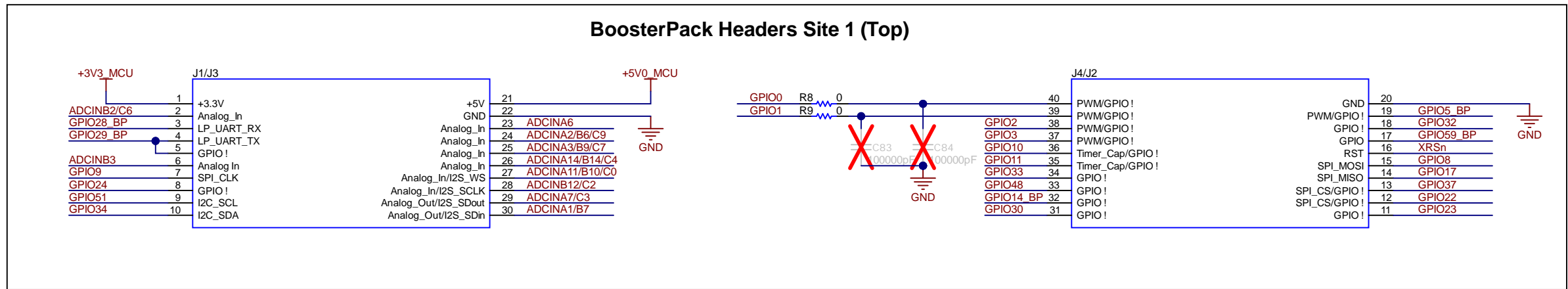


Texas Instruments and/or its licensors do not warrant the accuracy or completeness of this specification or any information contained therein. Texas Instruments and/or its licensors do not warrant that this design will meet the specifications, will be suitable for your application or fit for any particular purpose, or will operate in an implementation. Texas Instruments and/or its licensors do not warrant that the design is production worthy. You should completely validate and test your design implementation to confirm the system functionality for your application.

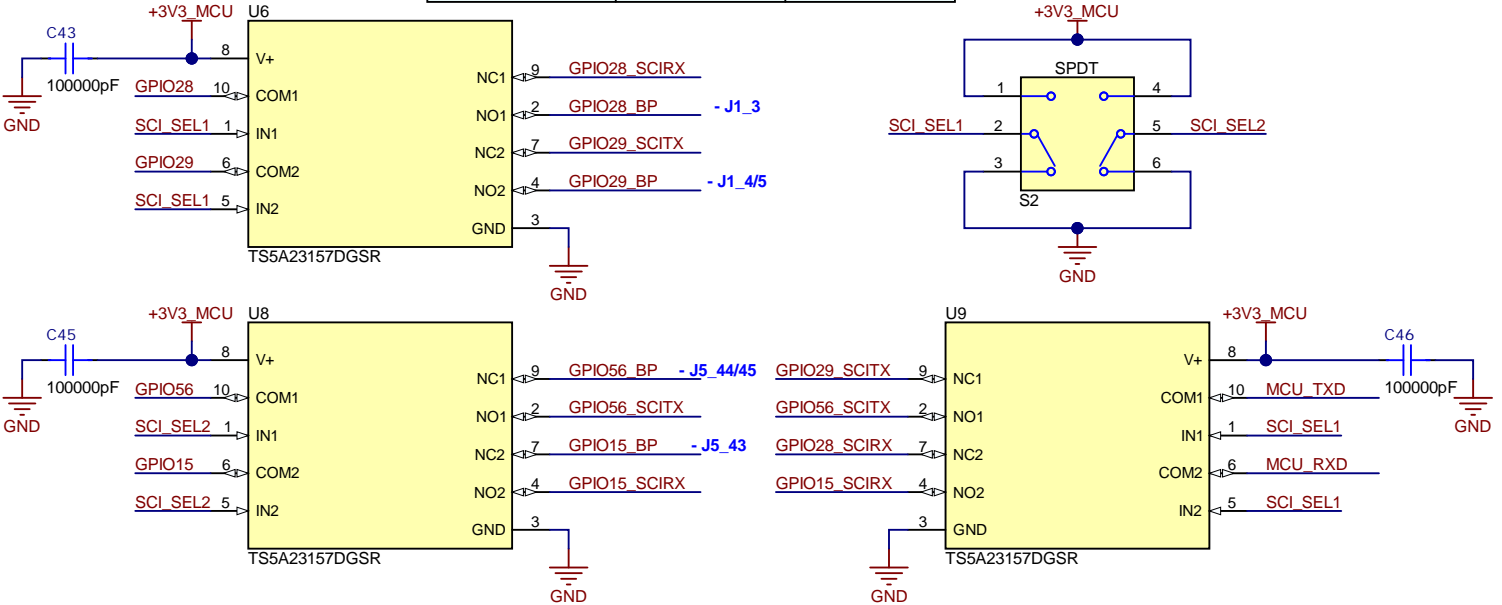
Orderable: LAUNCHXL-F280039C	Designed for: Public Release	Mod. Date: 10/8/2021
TID #: N/A	Project Title: LAUNCHXL-F280039C	
Number: MCU103	Rev: A	Sheet: 1 of 8
SVN Rev: Not in version control	File: MCU103A_Block_Diagram_SchDoc	Size: B
Drawn By:	Engineer: Kevin Allen	Contact: <a href="http://www.ti.com/support">http://www.ti.com/support</a>



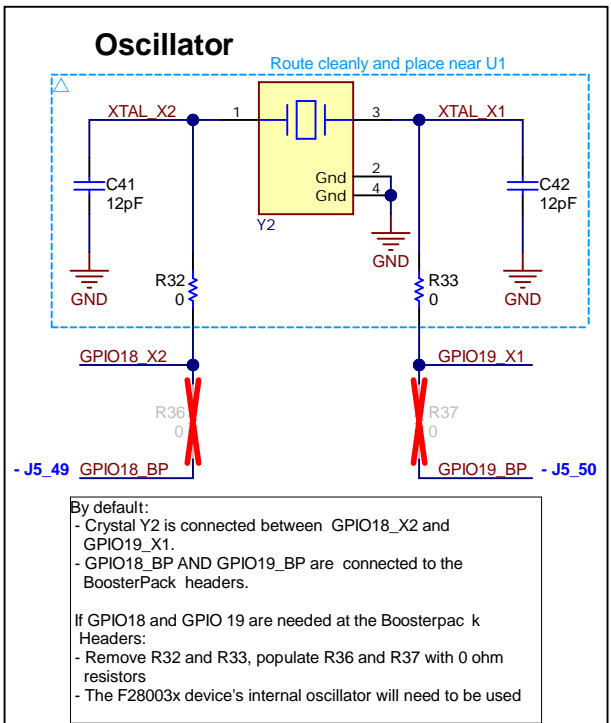


### UART Routing

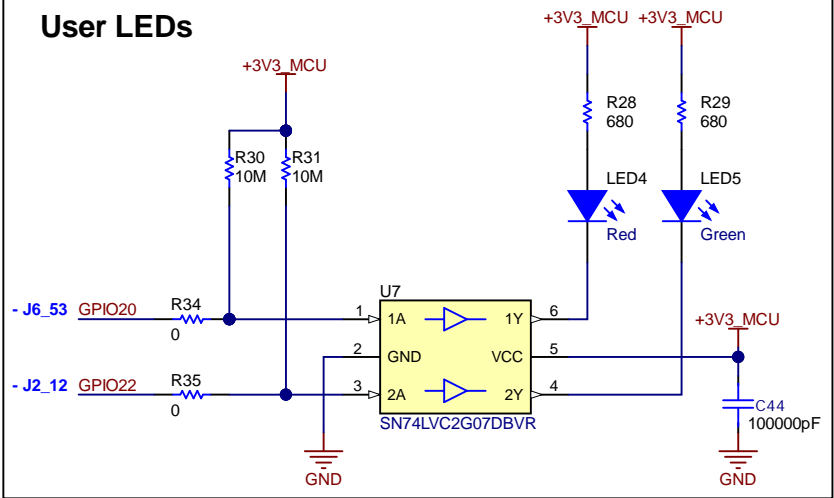
SCI_SEL1	SCI_SEL2	GPIO28/29 Route	GPIO15/56 Route	
0	0	XDS110 COM Port	BP	- DEFAULT
0	1	XDS110 COM Port	NC	
1	0	BP	BP	
1	1	BP	XDS110 COM Port	



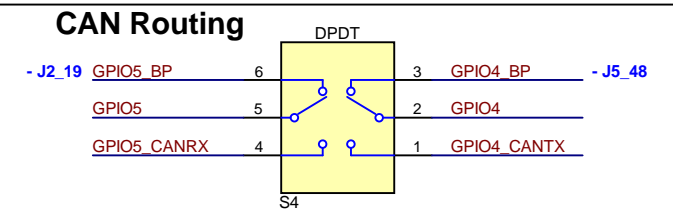
### Oscillator



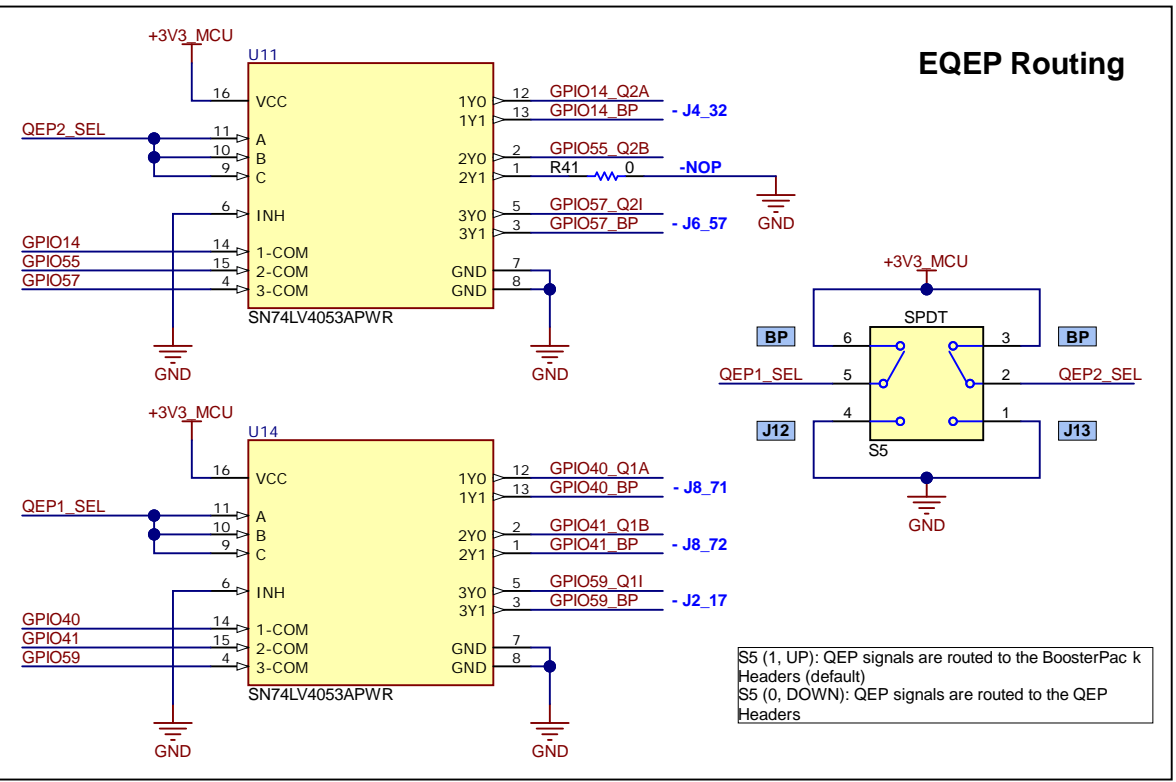
### User LEDs



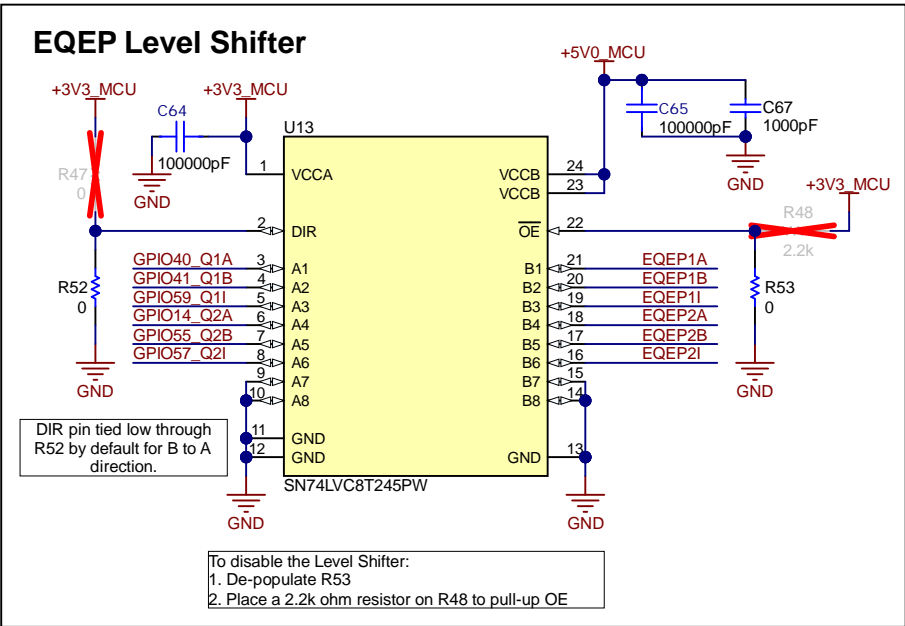
### CAN Routing



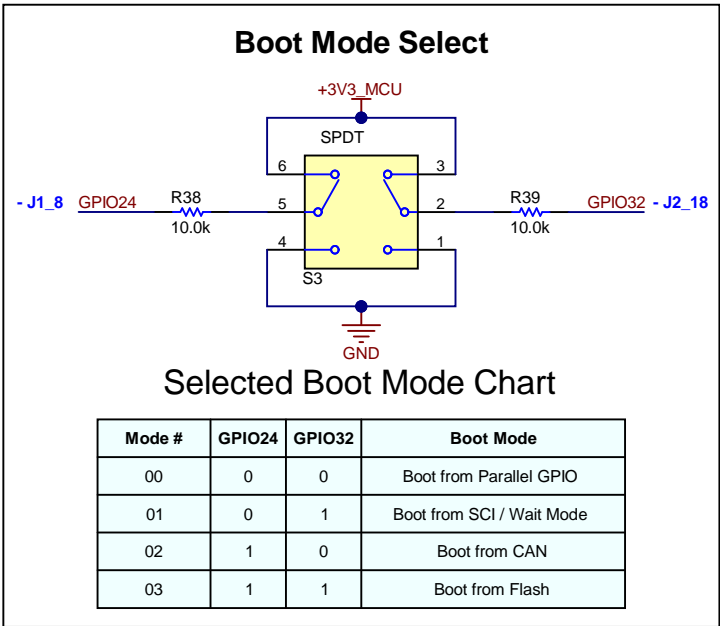
### EQEP Routing



### EQEP Level Shifter



### Boot Mode Select



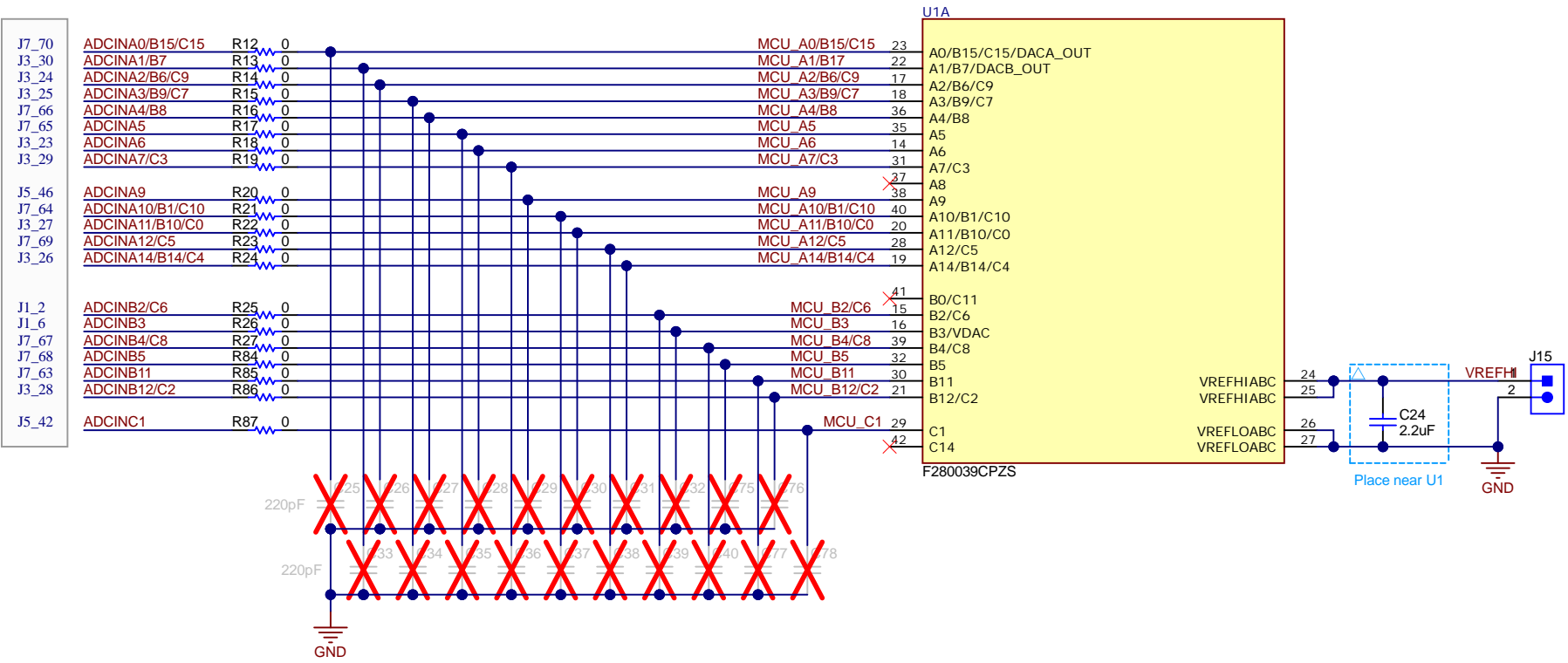
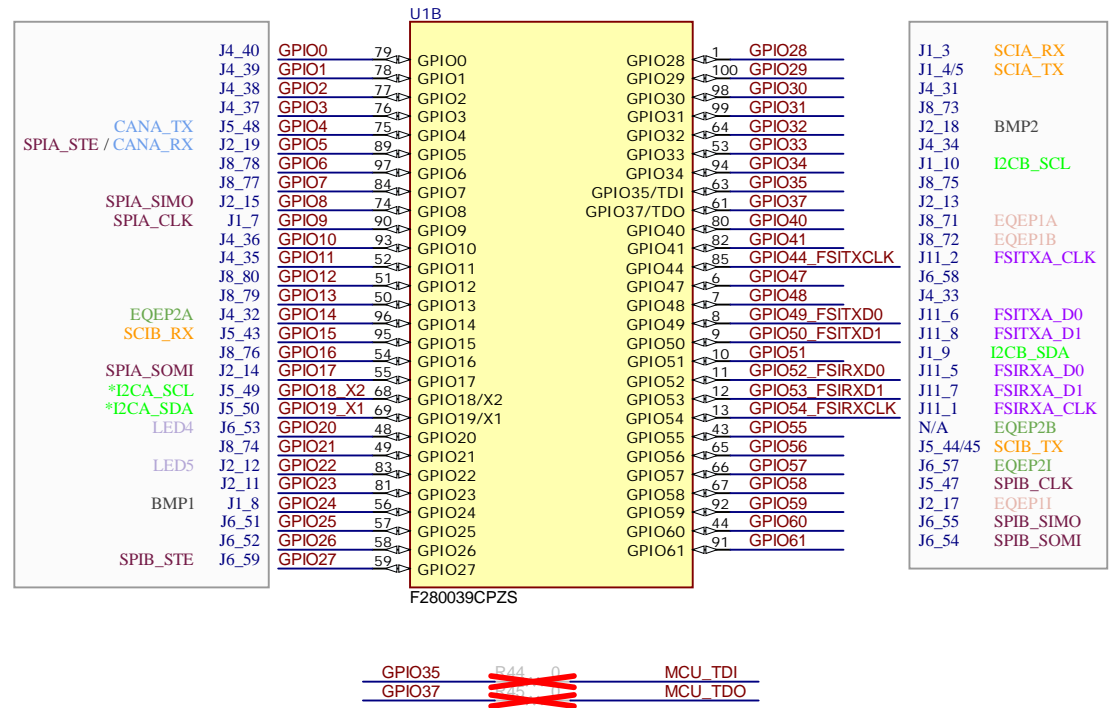
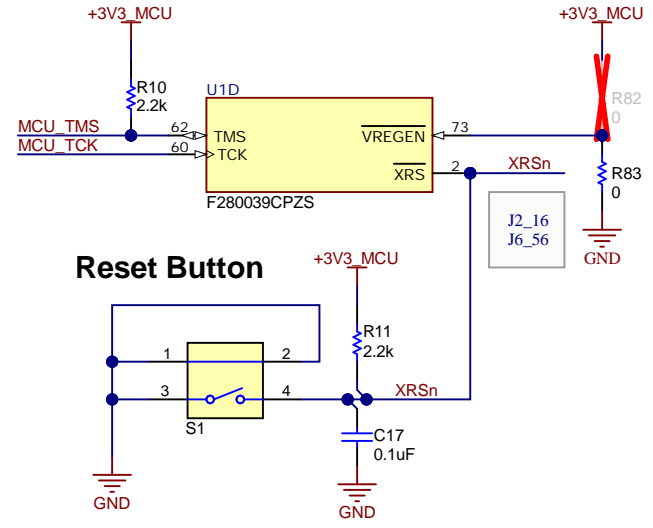
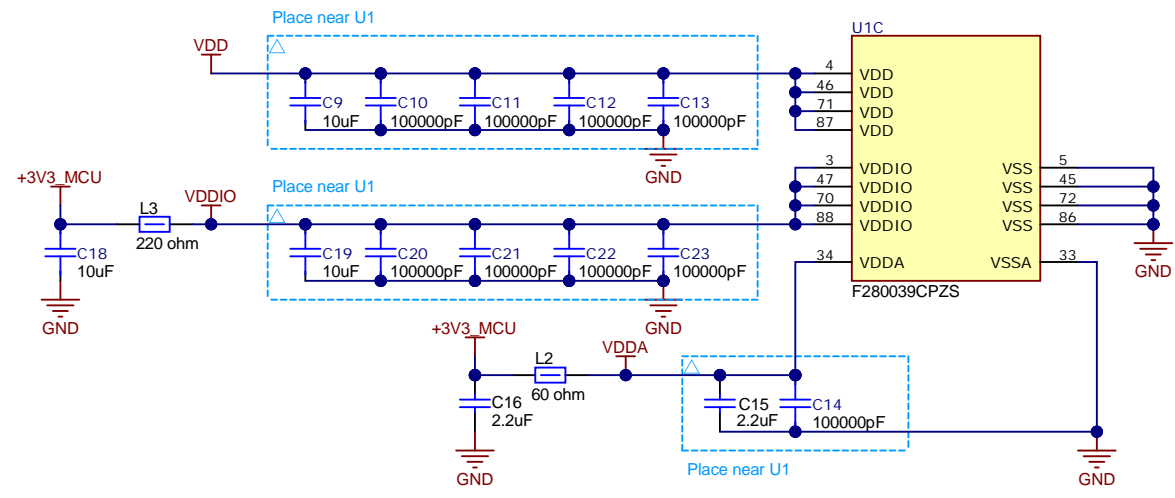
### Selected Boot Mode Chart

Mode #	GPIO24	GPIO32	Boot Mode
00	0	0	Boot from Parallel GPIO
01	0	1	Boot from SCI / Wait Mode
02	1	0	Boot from CAN
03	1	1	Boot from Flash

Texas Instruments and/or its licensors do not warrant the accuracy or completeness of this specification or any information contained therein. Texas Instruments and/or its licensors do not warrant that this design will meet the specifications, will be suitable for your application or fit for any particular purpose, or will operate in an implementation. Texas Instruments and/or its licensors do not warrant that the design is production worthy. You should completely validate and test your design implementation to confirm the system functionality for your application.



# F28003x Device

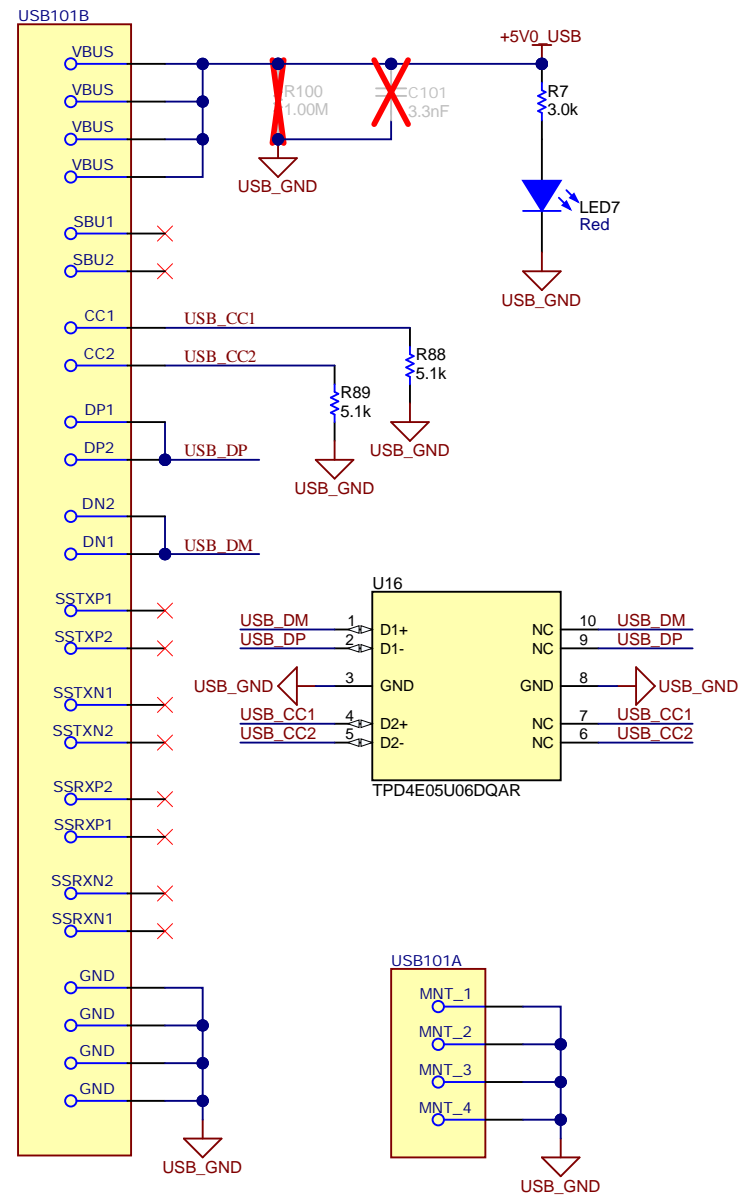


Orderable: LAUNCHXL-F280039C	Designed for: Public Release	Mod. Date: 12/9/2021
TID #: N/A	Project Title: LAUNCHXL-F280039C	
Number: MCU103	Rev: A	Sheet Title:
SVN Rev: Not in version control	Assembly Variant: 001	Sheet: 4 of 8
Drawn By:	File: MCU103A_F280039C_Device.SchDoc	Size: B
Engineer: Kevin Allen	Contact: http://www.ti.com/support	

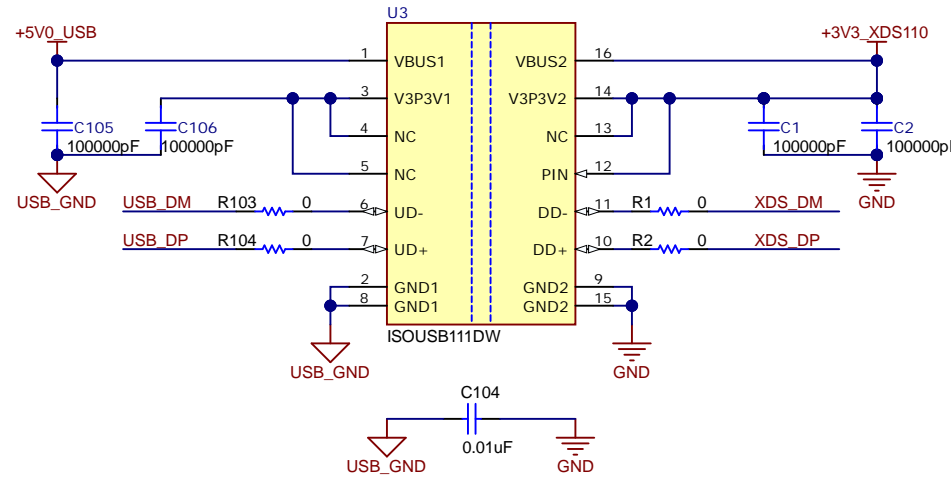
Texas Instruments and/or its licensors do not warrant the accuracy or completeness of this specification or any information contained therein. Texas Instruments and/or its licensors do not warrant that this design will meet the specifications, will be suitable for your application or fit for any particular purpose, or will operate in an implementation. Texas Instruments and/or its licensors do not warrant that the design is production worthy. You should completely validate and test your design implementation to confirm the system functionality for your application.



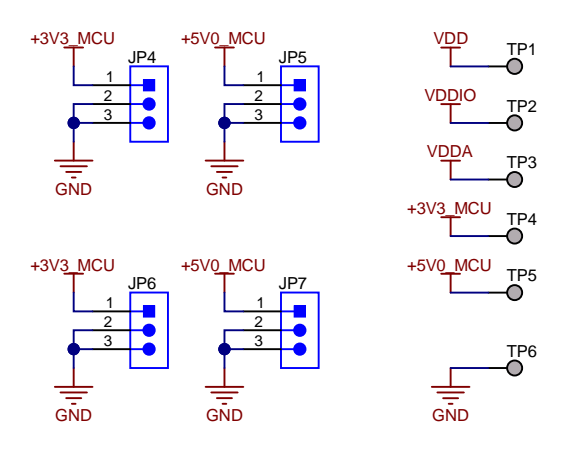
### USB-C Connector



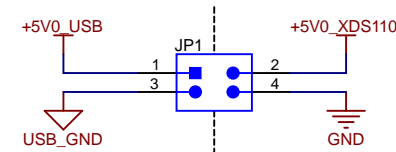
### USB Isolation



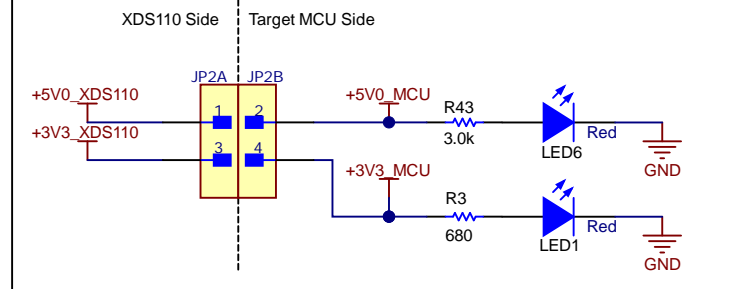
### Power Headers and Test Points



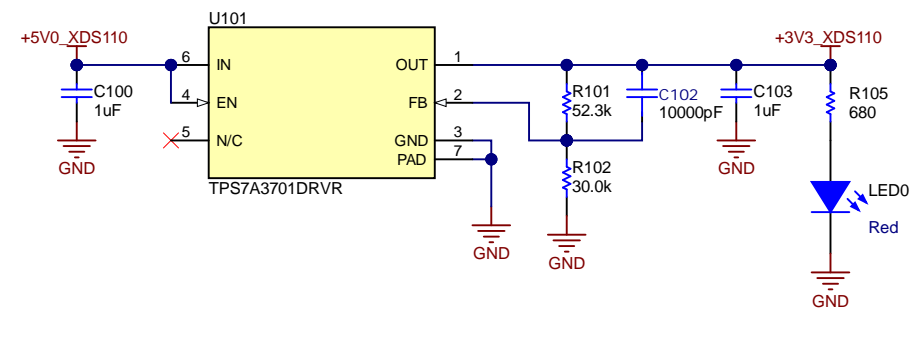
### PWR & GND Isolation Boundary



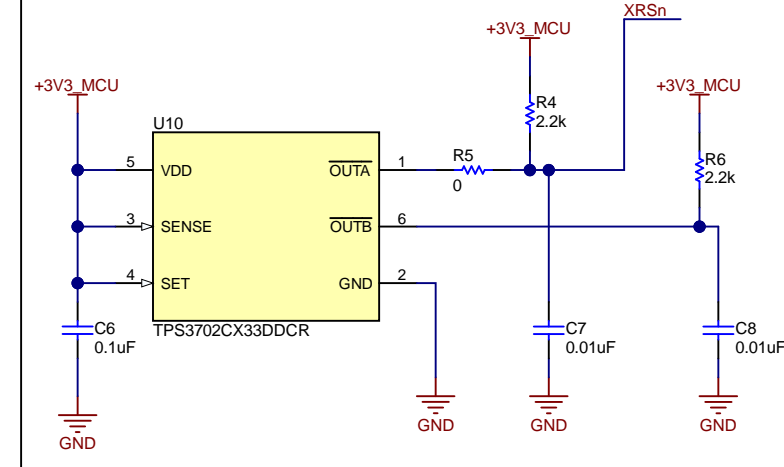
### 5V & 3.3V Isolation Boundary



### 5V to 3.3V



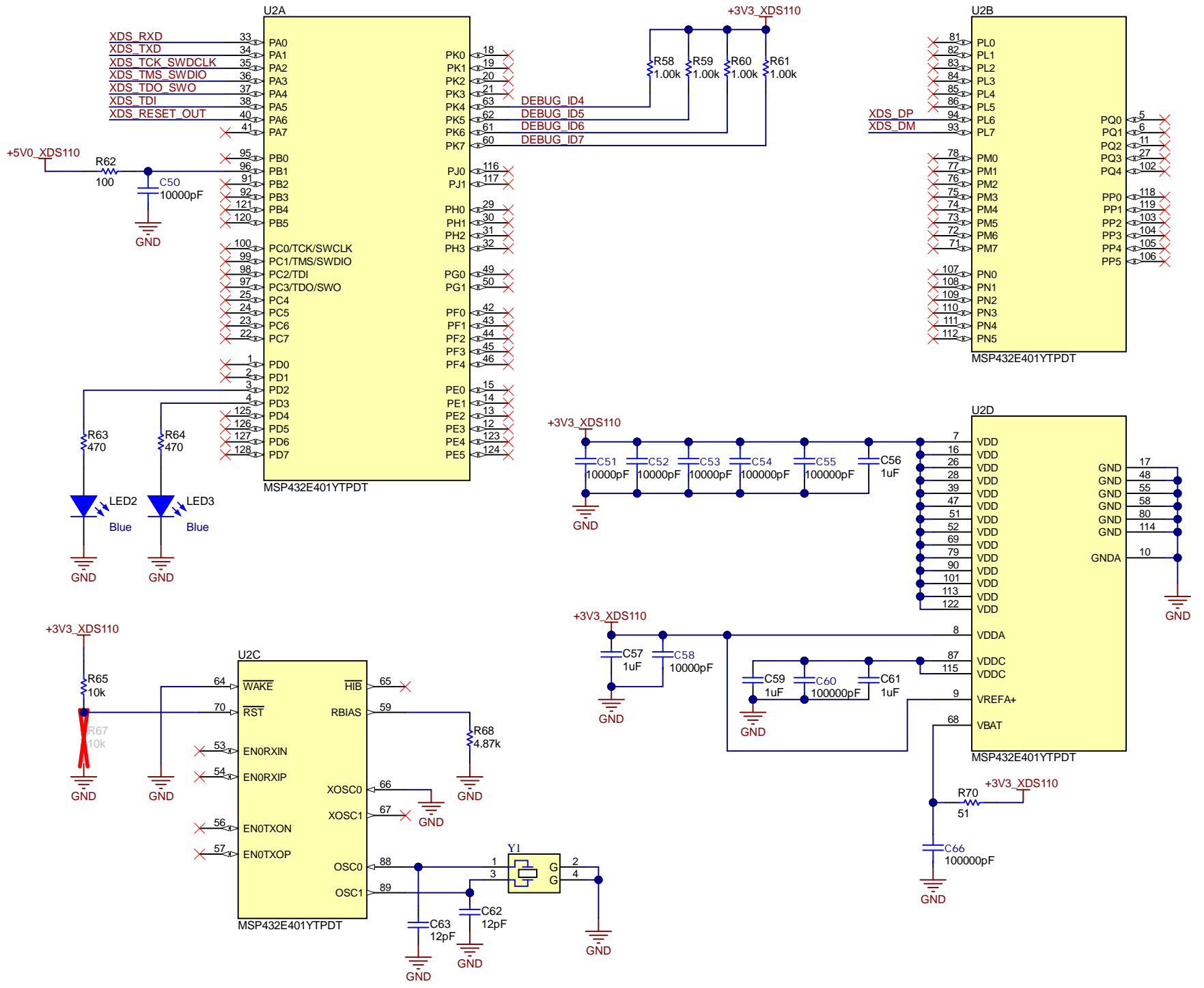
### System Supervisory Circuit



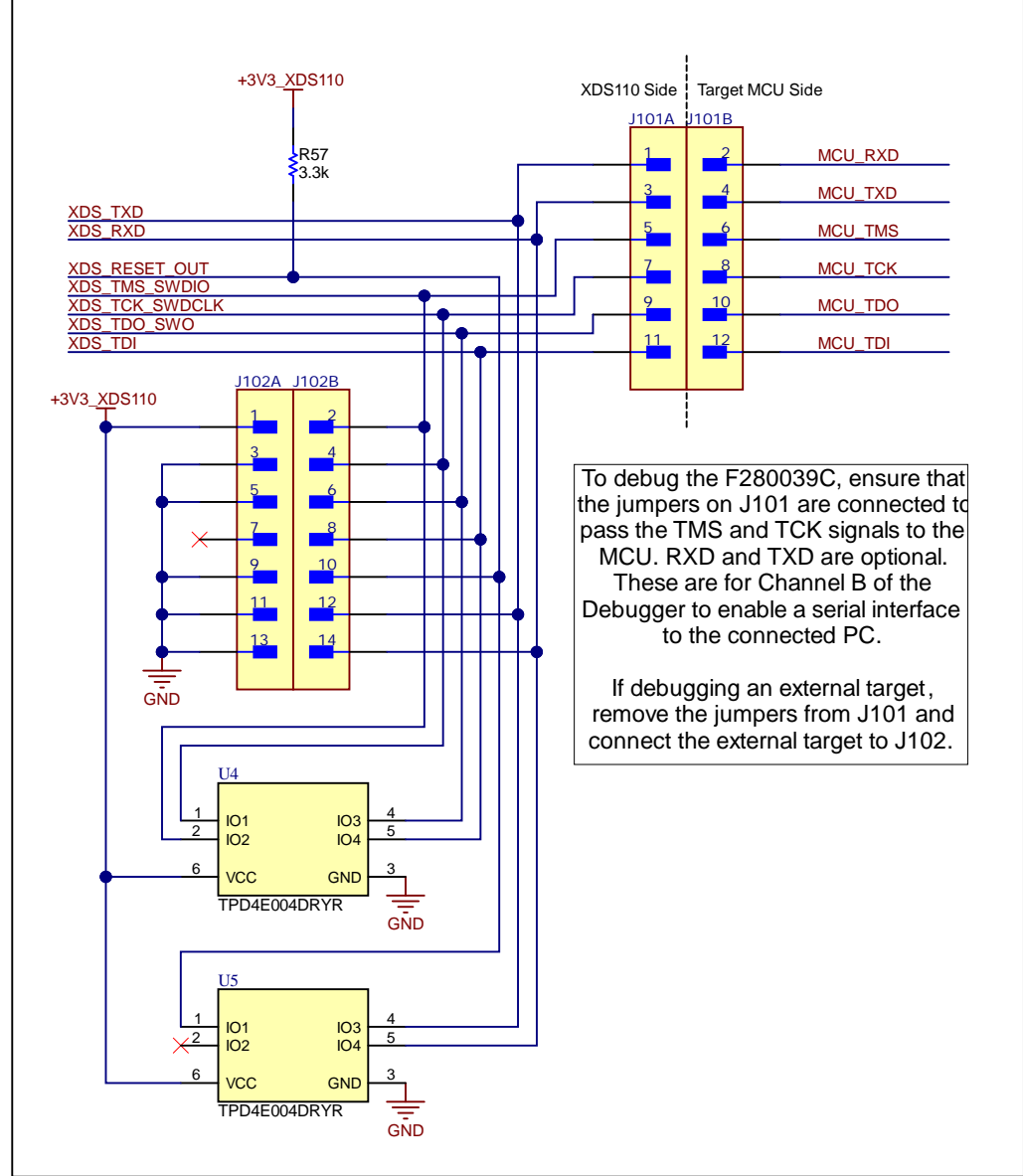
Texas Instruments and/or its licensors do not warrant the accuracy or completeness of this specification or any information contained therein. Texas Instruments and/or its licensors do not warrant that this design will meet the specifications, will be suitable for your application or fit for any particular purpose, or will operate in an implementation. Texas Instruments and/or its licensors do not warrant that the design is production worthy. You should completely validate and test your design implementation to confirm the system functionality for your application.

Orderable: LAUNCHXL-F280039C	Designed for: Public Release	Mod. Date: 11/4/2021
TID #: N/A	Project Title: LAUNCHXL-F280039C	
Number: MCU103	Rev: A	Sheet Title:
SVN Rev: Not in version control	Assembly Variant: 001	Sheet: 6 of 8
Drawn By:	File: MCU103A_USB_and_Power.SchDoc	Size: B
Engineer: Kevin Allen	Contact: <a href="http://www.ti.com/support">http://www.ti.com/support</a>	

# XDS110 Device



# XDS110 Target Interface



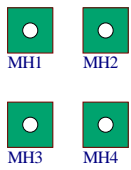
To debug the F280039C, ensure that the jumpers on J101 are connected to pass the TMS and TCK signals to the MCU. RXD and TXD are optional. These are for Channel B of the Debugger to enable a serial interface to the connected PC.

If debugging an external target, remove the jumpers from J101 and connect the external target to J102.

Orderable: LAUNCHXL-F280039C	Designed for: Public Release	Mod. Date: 12/9/2021
TID #: N/A	Project Title: LAUNCHXL-F280039C	
Number: MCU103	Rev: A	Sheet Title:
SVN Rev: Not in version control	Assembly Variant: 001	Sheet: 7 of 8
Drawn By:	File: MCU103A_XDS110_MCU_SchDoc	Size: B
Engineer: Kevin Allen	Contact: <a href="http://www.ti.com/support">http://www.ti.com/support</a>	



Texas Instruments and/or its licensors do not warrant the accuracy or completeness of this specification or any information contained therein. Texas Instruments and/or its licensors do not warrant that this design will meet the specifications, will be suitable for your application or fit for any particular purpose, or will operate in an implementation. Texas Instruments and/or its licensors do not warrant that the design is production worthy. You should completely validate and test your design implementation to confirm the system functionality for your application.



PCB Number: MCU103  
PCB Rev: A

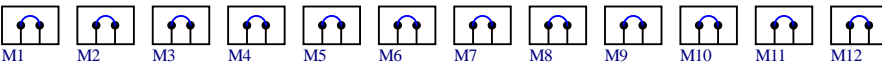
Logo1  
PCB  
LOGO  
Texas Instruments



Logo3  
PCB  
LOGO  
FCC disclaimer

Logo4  
PCB  
LOGO  
WEEE logo

Logo5  
PCB  
LOGO  
Texas Instruments



ZZ1  
Assembly Note  
These assemblies are ESD sensitive, ESD precautions shall be observed.

ZZ2  
Assembly Note  
These assemblies must be clean and free from flux and all contaminants. Use of no clean flux is not acceptable.

ZZ3  
Assembly Note  
These assemblies must comply with workmanship standards IPC-A-610 Class 2, unless otherwise specified.

Texas Instruments and/or its licensors do not warrant the accuracy or completeness of this specification or any information contained therein. Texas Instruments and/or its licensors do not warrant that this design will meet the specifications, will be suitable for your application or fit for any particular purpose, or will operate in an implementation. Texas Instruments and/or its licensors do not warrant that the design is production worthy. You should completely validate and test your design implementation to confirm the system functionality for your application.

Orderable: LAUNCHXL-F280039C	Designed for: Public Release	Mod. Date: 8/26/2021
TID #: N/A	Project Title: LAUNCHXL-F280039C	
Number: MCU103	Rev: A	Sheet Title:
SVN Rev: Not in version control	Assembly Variant: 001	Sheet: 8 of 8
Drawn By:	File: MCU103A_Hardware_SchDoc	Size: B
Engineer: Kevin Allen	Contact: <a href="http://www.ti.com/support">http://www.ti.com/support</a>	



## IMPORTANT NOTICE AND DISCLAIMER

TI PROVIDES TECHNICAL AND RELIABILITY DATA (INCLUDING DATA SHEETS), DESIGN RESOURCES (INCLUDING REFERENCE DESIGNS), APPLICATION OR OTHER DESIGN ADVICE, WEB TOOLS, SAFETY INFORMATION, AND OTHER RESOURCES "AS IS" AND WITH ALL FAULTS, AND DISCLAIMS ALL WARRANTIES, EXPRESS AND IMPLIED, INCLUDING WITHOUT LIMITATION ANY IMPLIED WARRANTIES OF MERCHANTABILITY, FITNESS FOR A PARTICULAR PURPOSE OR NON-INFRINGEMENT OF THIRD PARTY INTELLECTUAL PROPERTY RIGHTS.

These resources are intended for skilled developers designing with TI products. You are solely responsible for (1) selecting the appropriate TI products for your application, (2) designing, validating and testing your application, and (3) ensuring your application meets applicable standards, and any other safety, security, regulatory or other requirements.

These resources are subject to change without notice. TI grants you permission to use these resources only for development of an application that uses the TI products described in the resource. Other reproduction and display of these resources is prohibited. No license is granted to any other TI intellectual property right or to any third party intellectual property right. TI disclaims responsibility for, and you will fully indemnify TI and its representatives against, any claims, damages, costs, losses, and liabilities arising out of your use of these resources.

TI's products are provided subject to [TI's Terms of Sale](#) or other applicable terms available either on [ti.com](http://ti.com) or provided in conjunction with such TI products. TI's provision of these resources does not expand or otherwise alter TI's applicable warranties or warranty disclaimers for TI products.

TI objects to and rejects any additional or different terms you may have proposed.

Mailing Address: Texas Instruments, Post Office Box 655303, Dallas, Texas 75265  
Copyright © 2022, Texas Instruments Incorporated