

TMS320DM646x DMSoC Asynchronous External Memory Interface (EMIF)

User's Guide



Literature Number: SPRUEQ7C

February 2010

Preface	6
1 Introduction	8
1.1 Purpose of the Peripheral	8
1.2 Features	8
1.3 Functional Block Diagram	9
2 Architecture	9
2.1 Clock Control	9
2.2 EMIF Requests	9
2.3 Signal Descriptions	10
2.4 Pin Multiplexing	10
2.5 Asynchronous Controller and Interface	10
3 Use Cases	30
3.1 Interfacing to Asynchronous SRAM (ASRAM)	30
3.2 Interfacing to NAND Flash	39
4 Registers	48
4.1 Revision Code and Status Register (RCSR)	49
4.2 Asynchronous Wait Cycle Configuration Register (AWCCR)	50
4.3 Asynchronous n Configuration Registers (A1CR-A4CR)	52
4.4 EMIF Interrupt Raw Register (EIRR)	53
4.5 EMIF Interrupt Mask Register (EIMR)	54
4.6 EMIF Interrupt Mask Set Register (EIMSR)	56
4.7 EMIF Interrupt Mask Clear Register (EIMCR)	58
4.8 NAND Flash Control Register (NANDFCR)	60
4.9 NAND Flash Status Register (NANDFSR)	61
4.10 NAND Flash n ECC Registers (NANDF1ECC-NANDF4ECC)	61
Appendix A Revision History	63

List of Figures

1	EMIF Functional Block Diagram	9
2	EMIF Asynchronous Interface	11
3	EMIF to 8-bit and 16-bit Memory Interfaces	11
4	Timing Waveform of an Asynchronous Read Cycle in Normal Mode	15
5	Timing Waveform of an Asynchronous Write Cycle in Normal Mode	17
6	Timing Waveform of an Asynchronous Read Cycle in Select Strobe Mode.....	19
7	Timing Waveform of an Asynchronous Write Cycle in Select Strobe Mode.....	21
8	EMIF to NAND Flash Interface	23
9	ECC Value for 8-Bit NAND Flash	25
10	EMIF to 16-Bit Multiplexed HPI16 Interface.....	26
11	Connecting the EMIF to the TC55V16100FT-12	30
12	Timing Waveform of an ASRAM Read	32
13	Timing Waveform of an ASRAM Write	33
14	Timing Waveform of an ASRAM Read with PCB Delays	35
15	Timing Waveform of an ASRAM Write with PCB Delays	36
16	Timing Waveform of a NAND Flash Read	41
17	Timing Waveform of a NAND Flash Command Write	43
18	Timing Waveform of a NAND Flash Address Write	43
19	Timing Waveform of a NAND Flash Data Write	44
20	Revision Code and Status Register (RCSR)	49
21	Asynchronous Wait Cycle Configuration Register (AWCCR).....	50
22	Asynchronous <i>n</i> Configuration Register (ACFG <i>n</i>)	52
23	EMIF Interrupt Raw Register (EIRR).....	53
24	EMIF Interrupt Mask Register (EIMR)	54
25	EMIF Interrupt Mask Set Register (EIMSR).....	56
26	EMIF Interrupt Mask Clear Register (EIMCR)	58
27	NAND Flash Control Register (NANDFCR).....	60
28	NAND Flash Status Register (NANDFSR)	61
29	NAND Flash <i>n</i> ECC Register (NANDECC <i>n</i>).....	62

List of Tables

1	EMIF Pins	10
2	Behavior of $\overline{EM_CS}$ Signal Between Normal Mode and Select Strobe Mode.....	10
3	Description of the Asynchronous Configuration Register (ACFG $_n$).....	12
4	Description of the Asynchronous Wait Cycle Configuration Register (AWCCR).....	13
5	Description of the EMIF Interrupt Mask Set Register (EIMSR).....	13
6	Description of the EMIF Interrupt Mast Clear Register (EIMCR).....	13
7	Asynchronous Read Operation in Normal Mode	14
8	Asynchronous Write Operation in Normal Mode	16
9	Asynchronous Read Operation in Select Strobe Mode	18
10	Asynchronous Write Operation in Select Strobe Mode.....	20
11	Description of the NAND Flash Control Register (NANDFCR)	22
12	Configuration For NAND Flash	22
13	EMIF Interrupt.....	28
14	Interrupt Monitor and Control Bit Fields	28
15	EMIF Input Timing Requirements	31
16	ASRAM Output Timing Characteristics	31
17	ASRAM Input Timing Requirement for a Read	31
18	ASRAM Input Timing Requirements for a Write	32
19	ASRAM Timing Requirements With PCB Delays	34
20	EMIF Timing Requirements for TC5516100FT-12 Example	37
21	ASRAM Timing Requirements for TC5516100FT-12 Example	37
22	Measured PCB Delays for TC5516100FT-12 Example	37
23	Configuring A2CR for TC5516100FT-12 Example.....	39
24	Recommended Margins	39
25	EMIF Read Timing Requirements.....	40
26	NAND Flash Read Timing Requirements	40
27	NAND Flash Write Timing Requirements	42
28	EMIF Timing Requirements for HY27UA081G1M Example	45
29	NAND Flash Timing Requirements for HY27UA081G1M Example	45
30	Configuring A1CR for HY27UA081G1M Example	47
31	Configuring NANDFCR for HY27UA081G1M Example	47
32	External Memory Interface (EMIF) Registers	48
33	Revision Code and Status Register (RCSR) Field Descriptions	49
34	Asynchronous Wait Cycle Configuration Register (AWCCR) Field Descriptions	50
35	Asynchronous n Configuration Register (ACFG $_n$) Field Descriptions	52
36	EMIF Interrupt Raw Register (EIRR) Field Descriptions	53
37	EMIF Interrupt Mask Register (EIMR) Field Descriptions.....	54
38	EMIF Interrupt Mask Set Register (EIMSR) Field Descriptions	56
39	EMIF Interrupt Mask Clear Register (EIMCR) Field Descriptions.....	58
40	NAND Flash Control Register (NANDFCR) Field Descriptions	60
41	NAND Flash Status Register (NANDFSR) Field Descriptions.....	61
42	NAND Flash n ECC Register (NANDECC $_n$) Field Descriptions	62
43	Document Revision History	63

Read This First

About This Manual

This document describes the asynchronous external memory interface (EMIF) in the TMS320DM646x Digital Media System-on-Chip (DMSoC). The EMIF supports a glueless interface to a variety of external devices.

Notational Conventions

This document uses the following conventions.

- Hexadecimal numbers are shown with the suffix h. For example, the following number is 40 hexadecimal (decimal 64): 40h.
- Registers in this document are shown in figures and described in tables.
 - Each register figure shows a rectangle divided into fields that represent the fields of the register. Each field is labeled with its bit name, its beginning and ending bit numbers above, and its read/write properties below. A legend explains the notation used for the properties.
 - Reserved bits in a register figure designate a bit that is used for future device expansion.

Related Documentation From Texas Instruments

The following documents describe the TMS320DM646x Digital Media System-on-Chip (DMSoC). Copies of these documents are available on the Internet at www.ti.com. *Tip:* Enter the literature number in the search box provided at www.ti.com.

The current documentation that describes the DM646x DMSoC, related peripherals, and other technical collateral, is available in the C6000 DSP product folder at: www.ti.com/c6000.

[SPRUEP8](#) — *TMS320DM646x DMSoC DSP Subsystem Reference Guide*. Describes the digital signal processor (DSP) subsystem in the TMS320DM646x Digital Media System-on-Chip (DMSoC).

[SPRUEP9](#) — *TMS320DM646x DMSoC ARM Subsystem Reference Guide*. Describes the ARM subsystem in the TMS320DM646x Digital Media System-on-Chip (DMSoC). The ARM subsystem is designed to give the ARM926EJ-S (ARM9) master control of the device. In general, the ARM is responsible for configuration and control of the device; including the DSP subsystem and a majority of the peripherals and external memories.

[SPRUEQ0](#) — *TMS320DM646x DMSoC Peripherals Overview Reference Guide*. Provides an overview and briefly describes the peripherals available on the TMS320DM646x Digital Media System-on-Chip (DMSoC).

[SPRAA84](#) — *TMS320C64x to TMS320C64x+ CPU Migration Guide*. Describes migrating from the Texas Instruments TMS320C64x digital signal processor (DSP) to the TMS320C64x+ DSP. The objective of this document is to indicate differences between the two cores. Functionality in the devices that is identical is not included.

[SPRU732](#) — *TMS320C64x/C64x+ DSP CPU and Instruction Set Reference Guide*. Describes the CPU architecture, pipeline, instruction set, and interrupts for the TMS320C64x and TMS320C64x+ digital signal processors (DSPs) of the TMS320C6000 DSP family. The C64x/C64x+ DSP generation comprises fixed-point devices in the C6000 DSP platform. The C64x+ DSP is an enhancement of the C64x DSP with added functionality and an expanded instruction set.

[SPRU871](#) — **TMS320C64x+ DSP Megamodule Reference Guide**. Describes the TMS320C64x+ digital signal processor (DSP) megamodule. Included is a discussion on the internal direct memory access (IDMA) controller, the interrupt controller, the power-down controller, memory protection, bandwidth management, and the memory and cache.

Asynchronous External Memory Interface (EMIF)

1 Introduction

This document describes the operation of the asynchronous external memory interface (EMIF) in the TMS320DM646x Digital Media System-on-Chip (DMSoC).

1.1 Purpose of the Peripheral

The purpose of this EMIF is to provide a means to connect to a variety of external devices including:

- NAND Flash
- Asynchronous devices including Flash and SRAM
- Host processor interfaces such as the host port interface (HPI) on a Texas Instruments Digital Signal Processor (DSP)

The most common use for the EMIF is to interface with both flash devices and SRAM devices. The *Example Configuration* section contains examples of operating the EMIF in this configuration.

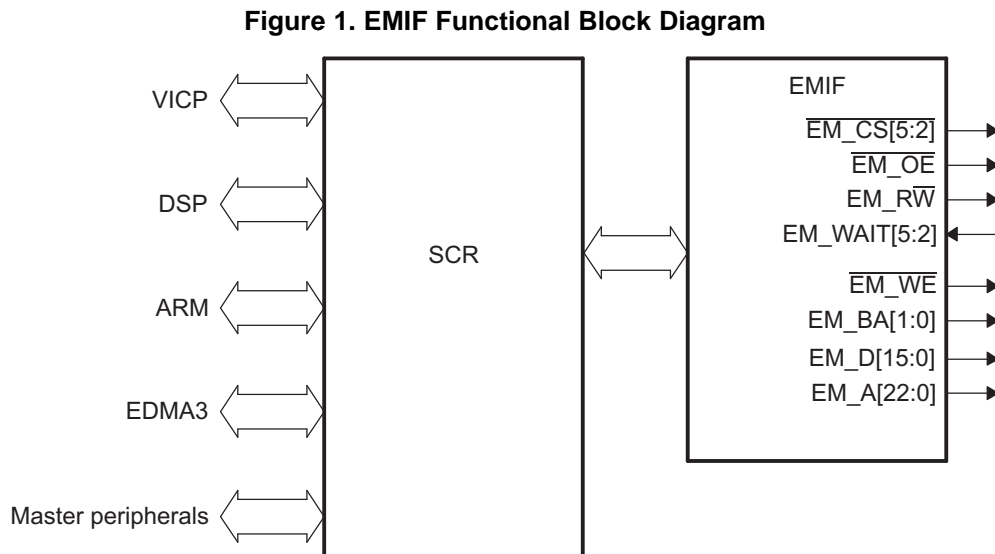
1.2 Features

The EMIF includes many features to enhance the ease and flexibility of connecting to external asynchronous devices. The EMIF features includes support for:

- 4 addressable chip select spaces of up to 32MB each
- 8-bit and 16-bit data bus widths
- Programmable cycle timings such as setup, strobe, and hold times as well as turnaround time
- Select strobe mode
- Extended Wait mode
- NAND Flash ECC generation
- Connecting as a host to a TI DSP HPI interface
- Data bus parking

1.3 Functional Block Diagram

Figure 1 illustrates the connections between the EMIF and its internal requesters, along with the external EMIF pins. Section 2.2 contains a description of the entities internal to the device that can send requests to the EMIF, along with their prioritization. Section 2.3 describes the EMIF's external pins and summarizes their purpose when interfacing with SDRAM and asynchronous devices.



2 Architecture

This section provides details about the architecture and operation of the EMIF.

2.1 Clock Control

The EMIF's internal clock is sourced from the SYSCLK3 clock domain of PLL controller 0 and cannot be sourced directly from an external input clock. The frequency of the SYSCLK3 clock domain is the PLL0 frequency divided by 4. Changes to the frequency of the input clock to PLL controller 0 and to the PLL controller 0 multiplier values alters the operating frequency of the EMIF. See the *TMS320DM646x DMSoC ARM Subsystem Reference Guide* ([SPRUEP9](#)) for more information on how to program the PLL controller.

2.2 EMIF Requests

Four different sources within the device can make requests to the EMIF. These requests consist of accesses to asynchronous memory and EMIF memory-mapped registers. Because the EMIF can process only one request at a time, a high performance switched central resource (SCR) exists to provide prioritized requests from the different sources to the EMIF. Each requester has a programmable priority value that may be configured in the System Module MSTPRI0 register or in the EDMACC QUEPRI register. See the device-specific data manual for more information.

If a request is submitted from two or more sources simultaneously, the SCR will forward the highest priority request to the EMIF first. Upon completion of a request, the SCR again evaluates the pending requests and forwards the highest priority pending request to the EMIF.

2.3 Signal Descriptions

Table 1 describes the function of each of the EMIF pins.

Table 1. EMIF Pins

Pins(s)	I/O	Description
EM_A[22:0]	O	EMIF address bus. These pins are used in conjunction with the EM_BA pins to form the address that is sent to the device.
EM_BA[1:0]	O	EMIF bank address. These pins are used in conjunction with the EM_A pins to form the address that is sent to the device.
$\overline{\text{EM_CS}}$ [5:2]	O	Active-low chip enable pin for asynchronous devices. These pins are meant to be connected to the chip-select pin of the attached asynchronous device.
EM_D[15:0]	I/O	EMIF data bus.
EM_R $\overline{\text{W}}$	O	Read/Write select pin. This pin is high for the duration of an asynchronous read access cycle and low for the duration of an asynchronous write cycle.
$\overline{\text{EM_OE}}$	O	Active-low pin enable for asynchronous devices. This pin provides a signal which is active-low during the strobe period of an asynchronous read access cycle.
$\overline{\text{EM_WE}}$	O	Active-low write enable. This pin provides a signal which is active-low during the strobe period of an asynchronous write access cycle.
EM_WAIT[5:2]	I	Wait input with programmable polarity. A connected asynchronous device can extend the strobe period of an access cycle by asserting the WAIT input to the EMIF as described in Section 2.5.8 . To enable this functionality, the EW bit in the asynchronous configuration register (ACFG n) must be set to 1. In addition, the WP n bit in the asynchronous wait cycle configuration register (AWCCR) must be configured to define the polarity of the EM_WAIT n pin.

2.4 Pin Multiplexing

The EMIF pins are multiplexed with other peripherals such as PCI, HPI, GPIO, and ATA. See the device-specific data manual for instructions on how to select the EMIF pins for proper operation.

2.5 Asynchronous Controller and Interface

The EMIF easily interfaces to a variety of asynchronous devices including Flash and ASRAM. It can be operated in three major modes:

- Normal mode
- Select Strobe (SS) mode
- NAND Flash mode

The behavior of the $\overline{\text{EM_CS}}$ signal is the single difference between Normal mode and Select Strobe mode (see [Table 2](#)). In Normal mode, the $\overline{\text{EM_CS}}$ signal becomes active at the beginning of the setup period and remains active for the duration of the transfer. In Select Strobe mode, the $\overline{\text{EM_CS}}$ signal functions as a strobe signal, active only during the strobe period of an access.

In NAND Flash mode, the EMIF hardware is able to calculate the error correction code (ECC) for each 512 byte data transfer. In addition to the three modes of operation, the EMIF also provides configurable cycle timing parameters and an Extended Wait mode that allows the connected device to extend the strobe period of an access cycle. The following sections describe the features related to interfacing with external asynchronous devices.

Table 2. Behavior of $\overline{\text{EM_CS}}$ Signal Between Normal Mode and Select Strobe Mode

Mode	Operation of $\overline{\text{EM_CS}}$ [5:2]
Normal	Active during the entire asynchronous access cycle
Select Strobe	Active only during the strobe period of an access cycle

2.5.1 Interfacing to Asynchronous Memory

Figure 2 shows the EMIF's external pins used in interfacing with an asynchronous device. Of special note is the connection between the EMIF and the external device's address bus. The EMIF address pin EM_A[0] always provides the least significant bit of a 32-bit word address. Therefore, when interfacing to a 16-bit or 8-bit asynchronous device, the EM_BA[1] and EM_BA[0] pins provide the least-significant bits of the halfword or byte address, respectively. Figure 2 and Figure 3 show the mapping between the EMIF and the connected device's data and address pins for various programmed data bus widths. The data bus width may be configured in the asynchronous configuration register (ACFGn).

Figure 2. EMIF Asynchronous Interface

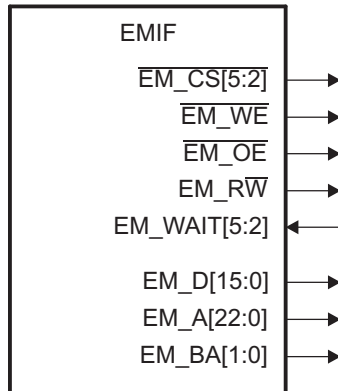
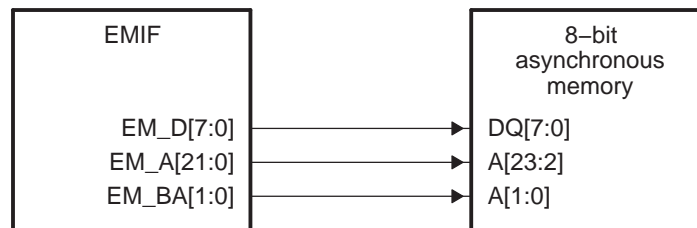
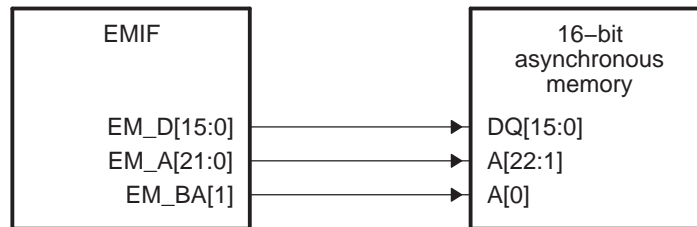


Figure 3. EMIF to 8-bit and 16-bit Memory Interfaces



a) EMIF to 8-bit memory interface



b) EMIF to 16-bit memory interface

2.5.2 Programmable Asynchronous Parameters

The EMIF allows a high degree of programmability for shaping asynchronous accesses. The programmable parameters are:

- **Setup:** The time between the beginning of a memory cycle (address valid) and the activation of the output enable or write enable strobe
- **Strobe:** The time between the activation and deactivation of output enable or write enable strobe.
- **Hold:** The time between the deactivation of output enable or write enable strobe and the end of the cycle, which may be indicated by an address change or the deactivation of the $\overline{\text{EM_CS}}$ signal.

Separate parameters are provided for read and write cycles. Each parameter is programmed in terms of EMIF clock cycles.

2.5.3 Configuring the EMIF for Asynchronous Accesses

The operation of the EMIF's asynchronous interface can be configured by programming the appropriate memory-mapped registers. The reset value and bit position for each register field can be found in [Section 4](#). The following tables list the programmable register fields and describe the purpose of each field. These registers should not be programmed while an asynchronous access is in progress. The transfer following a write to these registers will use the new configuration.

[Table 3](#) describes the asynchronous configuration register (ACFG n). There are four ACFG n s. Each chip select space has a dedicated ACFG n . This allows each chip select space to be programmed independently to interface to different asynchronous memory types.

Table 3. Description of the Asynchronous Configuration Register (ACFG n)

Parameter	Description
SS	Select Strobe mode. This bit selects the EMIF's mode of operation in the following way: <ul style="list-style-type: none"> • SS = 0 selects Normal mode. $\overline{\text{EM_CS}}$ is active for duration of access. • SS = 1 selects Select Strobe mode. $\overline{\text{EM_CS}}$ acts as a strobe.
EW	Extended Wait mode enable. <ul style="list-style-type: none"> • EW = 0 disables Extended Wait mode • EW = 1 enables Extended Wait mode When set to 1, the EMIF enables its Extended Wait mode in which the strobe width of an access cycle can be extended in response to the assertion of the $\overline{\text{EM_WAIT}}[5:2]$ pins. The WP_n bit in the asynchronous wait cycle configuration register (AWCCR) controls the polarity of the $\overline{\text{EM_WAIT}}_n$ pin. See Section 2.5.8 for more details on this mode of operation.
W_SETUP/R_SETUP	Read/Write setup widths. These fields define the number of EMIF clock cycles of setup time for the address pins ($\overline{\text{EM_A}}$ and $\overline{\text{EM_BA}}$) and asynchronous chip enable ($\overline{\text{EM_CS}}$) before the read strobe pin ($\overline{\text{READ_OE}}$) or write strobe pin ($\overline{\text{WRITE_WE}}$) falls, minus 1 cycle. For writes, the W_SETUP field also defines the setup time for the data pins ($\overline{\text{EM_D}}$). Refer to the datasheet of the external asynchronous device to determine the appropriate setting for this field.
W_STROBE/R_STROBE	Read/Write strobe widths. These fields define the number of EMIF clock cycles between the falling and rising of the read strobe pin ($\overline{\text{READ_OE}}$) or write strobe pin ($\overline{\text{WRITE_WE}}$), minus 1 cycle. If Extended Wait mode is enabled by setting the EW bit in the asynchronous configuration register (ACFG n), these fields must be set to a value greater than zero. Refer to the datasheet of the external asynchronous device to determine the appropriate setting for this field.
W_HOLD/R_HOLD	Read/Write hold widths. These fields define the number of EMIF clock cycles of hold time for the address pins ($\overline{\text{EM_A}}$ and $\overline{\text{EM_BA}}$) and asynchronous chip enable ($\overline{\text{EM_CS}}$) after the read strobe pin ($\overline{\text{READ_OE}}$) or write strobe pin ($\overline{\text{WRITE_WE}}$) rises, minus 1 cycle. For writes, the W_HOLD field also defines the hold time for the data pins ($\overline{\text{EM_D}}$). Refer to the datasheet of the external asynchronous device to determine the appropriate setting for this field.
TA	Minimum turnaround time. This field defines the minimum number of EMIF clock cycles between the end of one asynchronous access and the start of another, minus 1 cycle. This delay is not incurred when a read is followed by a read, or a write is followed by a write to the same chip select space. The purpose of this feature is to avoid contention on the bus. Refer to the datasheet of the external asynchronous device to determine the appropriate setting for this field.

Table 3. Description of the Asynchronous Configuration Register (ACFG_n) (continued)

Parameter	Description
ASIZE	<p>Asynchronous Device Bus Width. This field determines the data bus width of the asynchronous interface in the following way:</p> <ul style="list-style-type: none"> ASIZE = 0 selects an 8-bit bus ASIZE = 1 selects a 16-bit bus <p>The configuration of ASIZE determines the function of the EM_A and EM_BA pins as described in Section 2.5.1. This field also determines the number of external accesses required to fulfill a request generated by one of the sources mentioned in Section 2.2. For example, a request for a 32-bit word would require four external access when ASIZE = 0h. Refer to the datasheet of the external asynchronous device to determine the appropriate setting for this field.</p>

Table 4. Description of the Asynchronous Wait Cycle Configuration Register (AWCCR)

Parameter	Description
WP _n	<p>WAIT Polarity.</p> <ul style="list-style-type: none"> WP_n = 0 selects active-low polarity WP_n = 1 selects active-high polarity <p>When set to 1, the EMIF will wait if the EM_WAIT_n pin is high. When cleared to 0, the EMIF will wait if the EM_WAIT_n pin is low. The EMIF must have the Extended Wait mode enabled (EW bit in the asynchronous configuration register (ACFG_n) is set to 1) for the EM_WAIT_n pin to affect the width of the strobe period.</p>
MEWC	<p>Maximum Extended Wait Cycles. This field configures the number of EMIF clock cycles the EMIF will wait for the EM_WAIT_n pin to be deactivated during the strobe period of an access cycle. The maximum number of EMIF clock cycles the EMIF will wait is determined by the following formula:</p> $\text{Maximum Extended Wait Cycles} = (\text{MEWC} + 1) \times 16$ <p>If the EM_WAIT_n pin is not deactivated within the time specified by this field, the EMIF resumes the access cycle, registering whatever data is on the bus and preceding to the hold period of the access cycle. This situation is referred to as an asynchronous timeout. An asynchronous timeout generates an interrupt if it has been enabled in the EMIF interrupt mask set register (EIMSR). Refer to Section 2.5.11 for more information about the EMIF interrupts.</p>

Table 5. Description of the EMIF Interrupt Mask Set Register (EIMSR)

Parameter	Description
WRMSET _n	<p>Wait Rise Mask Set. Writing a 1 enables an interrupt to be generated when a rising edge on EM_WAIT_n occurs.</p>
ATMSET	<p>Asynchronous Timeout Mask Set. Writing a 1 to this bit enables an interrupt to be generated when an asynchronous timeout occurs.</p>

Table 6. Description of the EMIF Interrupt Mast Clear Register (EIMCR)

Parameter	Description
WRMCLR _n	<p>Wait Rise Mask Clear. Writing a 1 to this bit disables the interrupt, clearing the WRMSET_n bit in the EMIF interrupt mask set register (EIMSR).</p>
ATMCLR	<p>Asynchronous Timeout Mask Clear. Writing a 1 to this bit disables the interrupt, clearing the ATMSET bit in the EMIF interrupt mask set register (EIMSR).</p>

2.5.4 Read and Write Operations in Normal Mode

Normal mode is the asynchronous interface's default mode of operation. The Normal mode is selected when the SS bit in the asynchronous configuration register (ACFG n) is cleared to 0. In this mode, the EM_CS signal operates as a chip enable signal, active throughout the duration of the memory access.

2.5.4.1 Asynchronous Read Operations (Normal Mode)

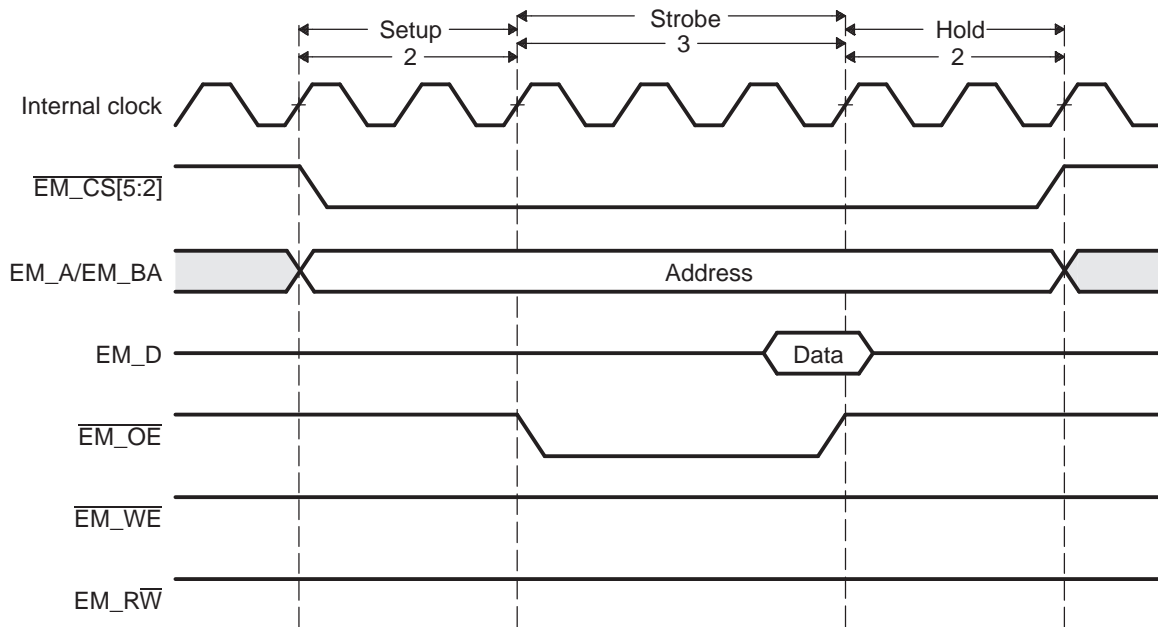
An asynchronous read is performed when any of the requesters mentioned in [Section 2.2](#) request a read from the attached asynchronous memory. In the event that the read request cannot be serviced by a single access cycle to the external device, multiple access cycles will be performed by the EMIF until the entire request is fulfilled. The details of an asynchronous read operation in Normal mode are described in [Table 7](#) and an example timing diagram of a basic read operation is shown in [Figure 4](#).

NOTE: During the entirety of an asynchronous read operation, the $\overline{\text{WRITE_WE}}$ and EM_R $\overline{\text{W}}$ pins are driven high.

Table 7. Asynchronous Read Operation in Normal Mode

Time Interval	Pin Activity in WE Strobe Mode
Turnaround period	<p>Once the EMIF receives a read request, the EMIF waits for the programmed number of turn-around cycles before proceeding to the setup period of the operation. The number of wait cycles is taken directly from the TA field of the asynchronous configuration register (ACFGn). There are two exceptions to this rule:</p> <ul style="list-style-type: none"> • If the current read operation was directly preceded by another read operation to the same CS space, no turnaround cycles are inserted. • If the current read operation was not directly preceded by a read operation to the same CS space and the TA field has been cleared to 0, one turn-around cycle will be inserted. <p>After the EMIF has waited for the turnaround cycles to complete, it proceeds to the setup period of the operation.</p>
Start of setup period	<p>At the beginning of the setup period:</p> <ul style="list-style-type: none"> • The setup, strobe, and hold values are set according to the R_SETUP, R_STROBE, and R_HOLD values in ACFGn. • The address pins EM_A and EM_BA become valid • $\overline{\text{EM_CS}}$ falls to enable the external device (if not already low from a previous operation)
Start of strobe period	<p>At the beginning of the strobe period</p> <ul style="list-style-type: none"> • $\overline{\text{READ_OE}}$ falls
Start of hold period	<p>At the beginning of the hold period:</p> <ul style="list-style-type: none"> • $\overline{\text{READ_OE}}$ rises • The EMIF samples the data on the EM_D bus.
End of hold period	<p>At the end of the hold period:</p> <ul style="list-style-type: none"> • The address pins EM_A and EM_BA become invalid • $\overline{\text{EM_CS}}$ rises (if no more operations are required to complete the current request) <p>The EMIF will be required to issue additional read operations to a device with a small data bus width in order to complete an entire word access. In this case, the EMIF immediately re-enters the setup period to begin another operation without incurring the turn-round cycle delay. The setup, strobe, and hold values are not updated in this case. If the entire word access has been completed, the EMIF returns to its previous state unless another asynchronous request has been submitted and is currently the highest priority task. If this is the case, the EMIF instead enters directly into the turnaround period for the pending read or write operation.</p>

Figure 4. Timing Waveform of an Asynchronous Read Cycle in Normal Mode



2.5.4.2 Asynchronous Write Operations (Normal Mode)

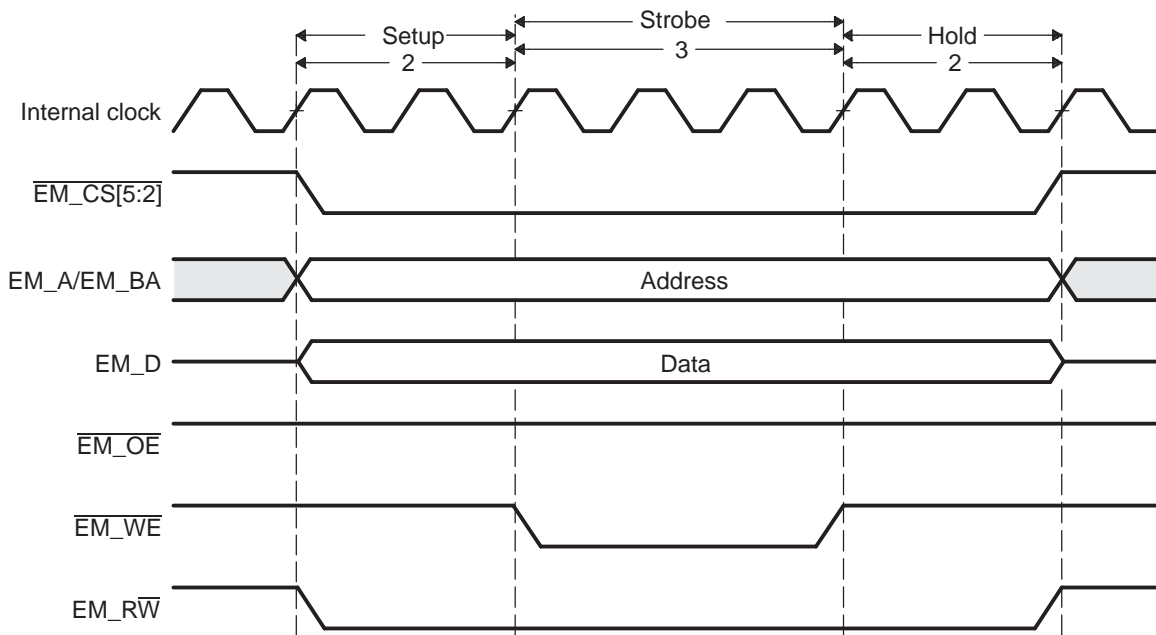
An asynchronous write is performed when any of the requesters mentioned in [Section 2.2](#) request a write to asynchronous memory. In the event that the write request cannot be serviced by a single access cycle to the external device, multiple access cycles will be performed by the EMIF until the entire request is fulfilled. The details of an asynchronous write operation in Normal mode are described in [Table 8](#) and an example timing diagram of a basic write operation is shown in [Figure 5](#).

NOTE: During the entirety of an asynchronous write operation, the $\overline{\text{EM_OE}}$ pin is driven high.

Table 8. Asynchronous Write Operation in Normal Mode

Time Interval	Pin Activity in WE Strobe Mode
Turnaround period	<p>Once the EMIF receives a write request, the EMIF waits for the programmed number of turn-around cycles before proceeding to the setup period of the operation. The number of wait cycles is taken directly from the TA field of the asynchronous configuration register (ACFG_n). There are two exceptions to this rule:</p> <ul style="list-style-type: none"> • If the current write operation was directly preceded by another write operation to the same CS space, no turnaround cycles are inserted. • If the current write operation was not directly preceded by a write operation to the same CS space and the TA field has been cleared to 0, one turnaround cycle will be inserted. <p>After the EMIF has waited for the turnaround cycles to complete, it proceeds to the setup period of the operation.</p>
Start of setup period	<p>At the beginning of the setup period:</p> <ul style="list-style-type: none"> • The setup, strobe, and hold values are set according to the W_SETUP, W_STROBE, and W_HOLD values in ACFG_n. • The address pins EM_A and EM_BA and the data pins EM_D become valid. • The EM_RW pin falls to indicate a write (if not already low from a previous operation). • $\overline{\text{EM_CS}}$ falls to enable the external device (if not already low from a previous operation).
Start of strobe period	<p>At the beginning of the strobe period of a write operation:</p> <ul style="list-style-type: none"> • $\overline{\text{EM_WE}}$ falls
Start of hold period	<p>At the beginning of the hold period</p> <ul style="list-style-type: none"> • $\overline{\text{EM_WE}}$ rises
End of hold period	<p>At the end of the hold period:</p> <ul style="list-style-type: none"> • The address pins EM_A and EM_BA become invalid • The data pins become invalid • The EM_RW pin rises (if no more operations are required to complete the current request) • $\overline{\text{EM_CS}}$ rises (if no more operations are required to complete the current request) <p>The EMIF may be required to issue additional write operations to a device with a small data bus width in order to complete an entire word access. In this case, the EMIF immediately re-enters the setup period to begin another operation without incurring the turnaround cycle delay. The setup, strobe, and hold values are not updated in this case. If the entire word access has been completed, the EMIF returns to its previous state unless another asynchronous request has been submitted. If this is the case, the EMIF instead enters directly into the turnaround period for the pending read or write operation.</p>

Figure 5. Timing Waveform of an Asynchronous Write Cycle in Normal Mode



2.5.5 Read and Write Operations in Select Strobe Mode

Select Strobe mode is the EMIF's second mode of operation. The SS mode is selected when the SS bit in the asynchronous configuration register (ACFG_n) is set to 1. In this mode, the $\overline{\text{EM_CS}}$ pin functions as a strobe signal and is therefore only active during the strobe period of an access cycle.

2.5.5.1 Asynchronous Read Operations (Select Strobe Mode)

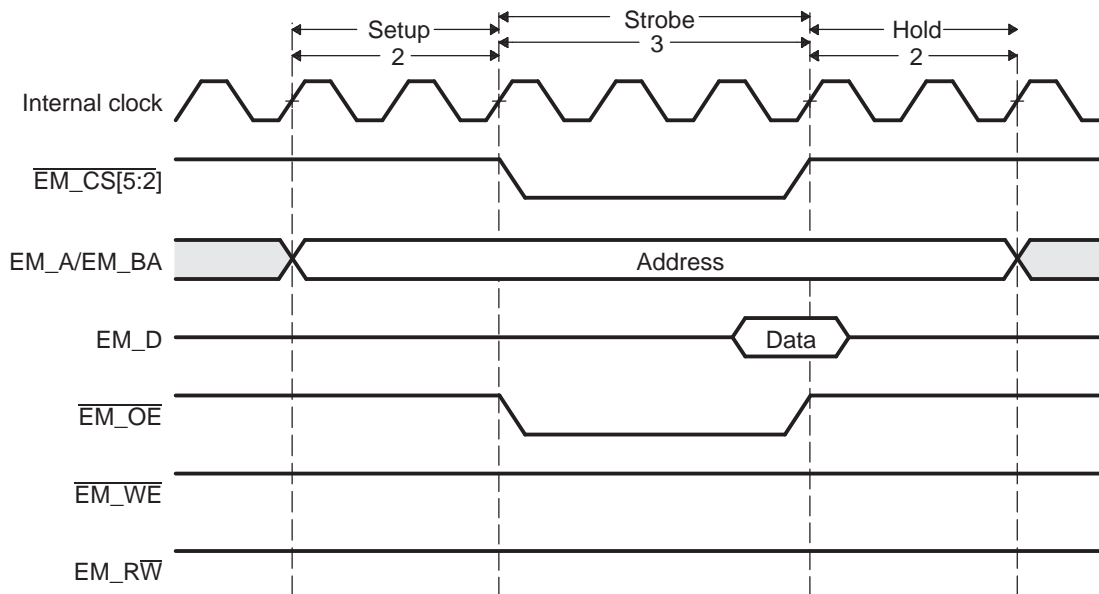
An asynchronous read is performed when any of the requesters mentioned in [Section 2.2](#) request a read from the attached asynchronous memory. In the event that the read request cannot be serviced by a single access cycle to the external device, multiple access cycles will be performed by the EMIF until the entire request is fulfilled. The details of an asynchronous read operation in Select Strobe mode are described in [Table 9](#) and an example timing diagram of a basic read operation is shown in [Figure 6](#).

NOTE: During the entirety of an asynchronous read operation, the $\overline{\text{EM_WE}}$ and $\text{EM_R}\overline{\text{W}}$ pins are driven high.

Table 9. Asynchronous Read Operation in Select Strobe Mode

Time Interval	Pin Activity in Select Strobe Mode
Turnaround period	Once the EMIF receives a read request, the EMIF waits for the programmed number of turnaround cycles before proceeding to the setup period of the operation. The number of wait cycles is taken directly from the TA field of the asynchronous configuration register (ACFG _n). There are two exceptions to this rule: <ul style="list-style-type: none"> • If the current read operation was directly preceded by another read operation to the same CS space, no turnaround cycles are inserted. • If the current read operation was not directly preceded by a read operation to the same CS space and the TA field has been cleared to 0, one turnaround cycle will be inserted. After the EMIF has waited for the turnaround cycles to complete, it proceeds to the setup period of the operation.
Start of setup period	At the beginning of the setup period: <ul style="list-style-type: none"> • The setup, strobe, and hold values are set according to the R_SETUP, R_STROBE, and R_HOLD values in ACFG_n. • The address pins EM_A and EM_BA become valid.
Start of strobe period	At the beginning of the strobe period: <ul style="list-style-type: none"> • $\overline{\text{EM_CS}}$ and $\overline{\text{EM_OE}}$ fall at the start of the strobe period
Start of hold period	At the beginning of the hold period: <ul style="list-style-type: none"> • $\overline{\text{EM_CS}}$ and $\overline{\text{EM_OE}}$ rise • The EMIF samples the data on the EM_D bus
End of hold period	At the end of the hold period: <ul style="list-style-type: none"> • The address pins EM_A and EM_BA become invalid The EMIF may be required to issue additional read operations to a device with a small data bus width in order to complete an entire word access. In this case, the EMIF immediately re-enters the setup period to begin another operation without incurring the turnaround cycle delay. The setup, strobe, and hold values are not updated in this case. If the entire word access has been completed, the EMIF returns to its previous state unless another asynchronous request has been submitted. If this is the case, the EMIF instead enters directly into the turnaround period for the pending read or write operation.

Figure 6. Timing Waveform of an Asynchronous Read Cycle in Select Strobe Mode



2.5.5.2 Asynchronous Write Operations (Select Strobe Mode)

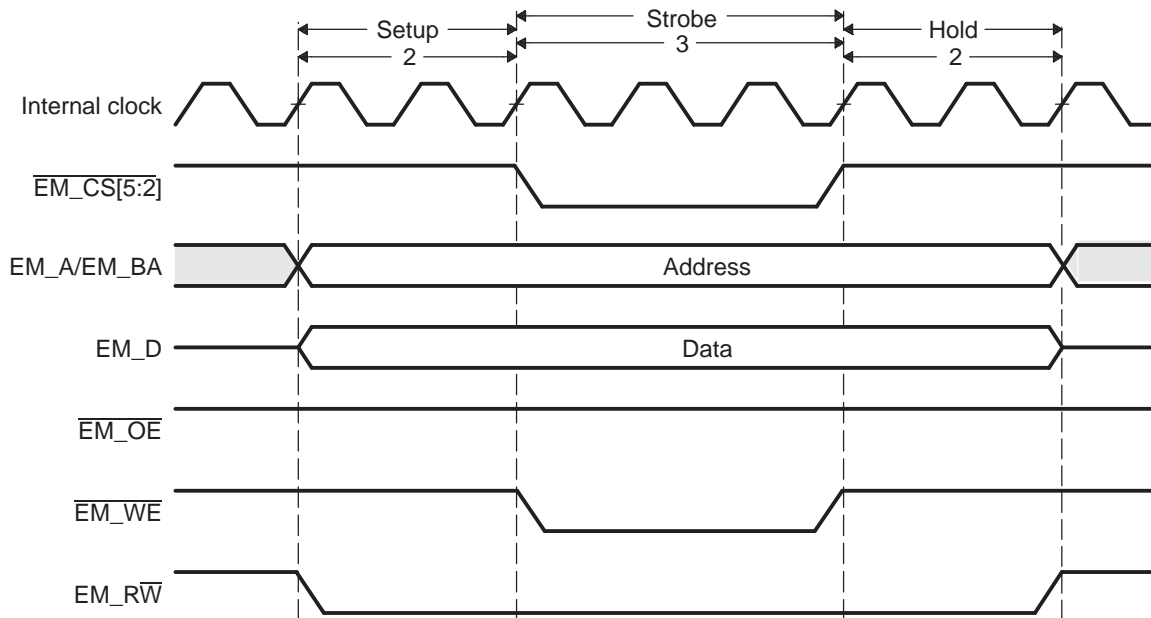
An asynchronous write is performed when any of the requesters mentioned in [Section 2.2](#) request a write to memory in the asynchronous bank of the EMIF. In the event that the write request cannot be serviced by a single access cycle to the external device, multiple access cycles will be performed by the EMIF until the entire request is fulfilled. The details of an asynchronous write operation in Select Strobe mode are described in [Table 10](#) and an example timing diagram of a basic write operation is shown in [Figure 7](#).

NOTE: During the entirety of an asynchronous write operation, the $\overline{\text{EM_OE}}$ pin is driven high.

Table 10. Asynchronous Write Operation in Select Strobe Mode

Time Interval	Pin Activity in Select Strobe Mode
Turnaround period	<p>Once the EMIF receives a write request, the EMIF waits for the programmed number of turnaround cycles before proceeding to the setup period of the operation. The number of wait cycles is taken directly from the TA field of the asynchronous configuration register (ACFG_n). There are two exceptions to this rule:</p> <ul style="list-style-type: none"> If the current write operation was directly preceded by another write operation to the same CS space, no turnaround cycles are inserted. If the current write operation was directly preceded by a write operation to the same CS space and the TA field has been cleared to 0, one turnaround cycle will be inserted. <p>After the EMIF has waited for the turnaround cycles to complete, it proceeds to the setup period of the operation.</p>
Start of setup period	<p>At the beginning of the setup period:</p> <ul style="list-style-type: none"> The setup, strobe, and hold values are set according to the W_SETUP, W_STROBE, and W_HOLD values in ACFG_n. The address pins EM_A and EM_BA and the data pins EM_D become valid. The EM_RW pin falls to indicate a write (if not already low from a previous operation).
Start of strobe period	<p>At the beginning of the strobe period:</p> <ul style="list-style-type: none"> $\overline{\text{EM_CS}}$ and $\overline{\text{EM_WE}}$ fall
Start of hold period	<p>At the beginning of the hold period:</p> <ul style="list-style-type: none"> $\overline{\text{EM_CS}}$ and $\overline{\text{EM_WE}}$ rise
End of hold period	<p>At the end of the hold period:</p> <ul style="list-style-type: none"> The address pins EM_A and EM_BA become invalid The data pins become invalid The EM_RW pin rises (if no more operations are required to complete the current request) <p>The EMIF may be required to issue additional write operations to a device with a small data bus width in order to complete an entire word access. In this case, the EMIF immediately re-enters the setup period to begin another operation without incurring the turnaround cycle delay. The setup, strobe, and hold values are not updated in this case. If the entire word access has been completed, the EMIF returns to its previous state unless another asynchronous request has been submitted. If this is the case, the EMIF instead enters directly into the turn-around period for the pending read or write operation.</p>

Figure 7. Timing Waveform of an Asynchronous Write Cycle in Select Strobe Mode



2.5.6 NAND Flash Mode

NAND Flash mode is the EMIF's third mode of operation. Each chip select space may be placed in NAND Flash mode individually by setting the appropriate CS n NAND bit in the NAND Flash control register (NANDFCR). [Table 11](#) displays the bit fields present in NANDFCR and briefly describes their use.

When a chip select space is configured to operate in NAND Flash mode, the EMIF hardware can calculate the error correction code (ECC) for each 512 byte data transfer to that chip select space. The EMIF hardware will not generate the NAND access cycle, which includes the command, address, and data phases, necessary to complete a transfer to NAND Flash. All NAND Flash operations can be divided into single asynchronous cycles and with the help of software, the EMIF can execute a complete NAND access cycle.

Table 11. Description of the NAND Flash Control Register (NANDFCR)

Parameter	Description
CS5ECC	NAND Flash ECC state for chip select 5. <ul style="list-style-type: none"> Set to 1 to start an ECC calculation. Cleared to 0 when NAND Flash 4 ECC register (NANDF4ECC) is read.
CS4ECC	NAND Flash ECC state for chip select 4. <ul style="list-style-type: none"> Set to 1 to start an ECC calculation. Cleared to 0 when NAND Flash 3 ECC register (NANDF3ECC) is read.
CS3ECC	NAND Flash ECC state for chip select 3. <ul style="list-style-type: none"> Set to 1 to start an ECC calculation. Cleared to 0 when NAND Flash 2 ECC register (NANDF2ECC) is read.
CS2ECC	NAND Flash ECC state for chip select 2. <ul style="list-style-type: none"> Set to 1 to start an ECC calculation. Cleared to 0 when NAND Flash 1 ECC register (NANDF1ECC) is read.
CS5NAND	NAND Flash mode for chip select 5. <ul style="list-style-type: none"> Set to 1 to enable NAND Flash mode.
CS4NAND	NAND Flash mode for chip select 4. <ul style="list-style-type: none"> Set to 1 to enable NAND Flash mode.
CS3NAND	NAND Flash mode for chip select 3. <ul style="list-style-type: none"> Set to 1 to enable NAND Flash mode.
CS2NAND	NAND Flash mode for chip select 2. <ul style="list-style-type: none"> Set to 1 to enable NAND Flash mode.

2.5.6.1 Configuring for NAND Flash Mode

Similar to the asynchronous accesses previously described, the EMIF's memory-mapped registers must be programmed appropriately to interface to a NAND Flash device. [Table 12](#) lists the bit fields that must be programmed when operating in NAND Flash mode and the values to set each bit. NAND Flash mode cannot be used with Extended Wait mode.

Table 12. Configuration For NAND Flash

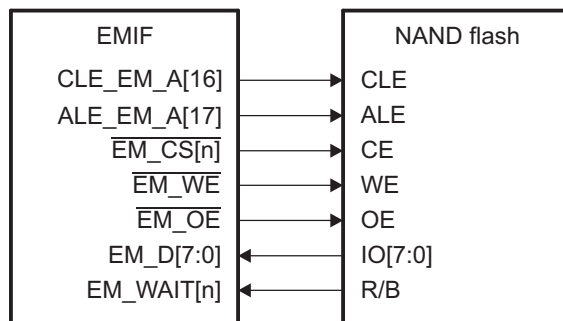
Register	Bit Field	Configuration Value
Asynchronous configuration register (ACFG n)	SS	0
	EW	0
	W_SETUP/R_SETUP	See Section 3.2 for information on how to program.
	W_STROBE/R_STROBE	See Section 3.2 for information on how to program.
	W_HOLD/R_HOLD	See Section 3.2 for information on how to program.
	ASIZE	Programmed to equal the width of the NAND Flash device
NAND Flash control register (NANDFCR)	CS2NAND	1

2.5.6.2 Connecting to NAND Flash

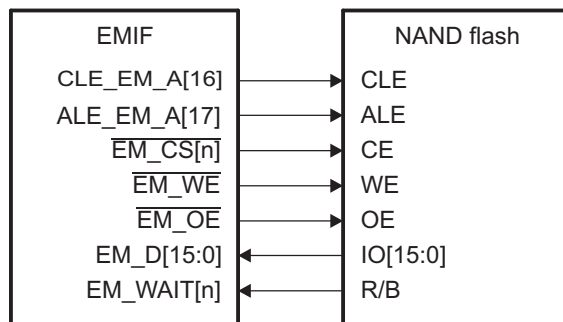
Figure 8 shows the EMIF external pins used to interface with a NAND Flash device. EMIF address lines are used to drive the NAND Flash device's command latch enable (CLE) and address latch enable (ALE) signals.

NOTE: The EMIF will not control the NAND Flash device's write protect pin. The write protect pin must be controlled outside of the EMIF.

Figure 8. EMIF to NAND Flash Interface



a) Connection to 8-bit NAND device



b) Connection to 16-bit NAND device

2.5.6.3 Driving CLE and ALE

As stated in Section 2.5.1, the EMIF always drives the least significant bit of a 32-bit word address on EM_A[0]. This functionality must be considered when attempting to drive the address lines connected to CLE and ALE to the appropriate state.

For example, if using EM_A[2] and EM_A[1] to connect to CLE and ALE, respectively, the following offsets should be chosen:

- 00h to drive CLE and ALE low
- 10h to drive CLE high and ALE low
- 0Bh to drive CLE low and ALE high

These offsets should be added to the base address for the chip select space the NAND Flash device is connected to. For example, if the base address of the CS space the NAND Flash device is connected to is 4200 0000h, then the above list translates to the following memory-mapped addresses: 4200 0000h, 4200 0010h, and 4200 000Bh, respectively. Therefore, when attempting to drive CLE high and ALE low, the memory-mapped address of 4200 0010h would be written to.

2.5.6.4 NAND Read and Program Operations

A NAND Flash access cycle is composed of a command, address, and data phase. The EMIF will not automatically generate these three phases to complete a NAND access with one transfer request. To complete a NAND access cycle, multiple single asynchronous access cycles (as described above) must be completed by the EMIF. Software must be used to request the appropriate asynchronous accesses to complete a NAND Flash access cycle. This software must be developed to the specification of the chosen NAND Flash device.

Since NAND operations are divided into single asynchronous access cycles, the chip select signal will not remain activated for the duration of the NAND operation. Instead, the chip select signal will deactivate between each asynchronous access cycle. For this reason, the EMIF does not support NAND Flash devices that require the chip select signal to remain low during the t_R time for a read. See [Section 2.5.6.8](#) for workaround.

Care must be taken when performing a NAND read or write operation via the EDMA. See [Section 2.5.6.5](#) for more details.

NOTE: The EMIF does not support NAND Flash devices that require the chip select signal to remain low during the t_R time for a read. See [Section 2.5.6.8](#) for workaround.

2.5.6.5 NAND Data Read and Write via DMA

When performing NAND accesses, the EDMA is most efficiently used for the data phase of the access. The command and address phases of the NAND access require only a few words of data to be transferred and therefore do not take advantage of the EDMA's ability to transfer larger quantities of data with a single request. In this section we will focus on using the EDMA for the data phase of a NAND access.

There are two conditions that require care to be taken when performing NAND reads and writes via the EDMA. These are:

- CLE_EM_A[2] and ALE_EM_A[1] are lower address lines and must be driven low
- The EMIF does not support a constant address mode, but only supports linear incrementing address modes.

Since the EMIF does not support a constant addressing mode, when programming the EDMA, a linear incrementing address mode must be used. When using a linear incrementing address mode, since the CLE and ALE are driven by lower address lines, care must be taken not to increase the address into a range that drives CLE and/or ALE high. To prevent the address from incrementing into a range that drives CLE and/or ALE high, the EDMA ACNT, BCNT, SIDX, DIDX, and synchronization type must be programmed appropriately. The proper EDMA configurations are described below.

EDMA setup for a NAND Flash data read:

- $ACNT \leq 8$ bytes (this can also be set to less than or equal to the external data bus width)
- $BCNT = \text{transfer size in bytes}/ACNT$
- $SIDX$ (source index) = 0
- $DIDX$ (destination index) = $ACNT$
- AB synchronized

EDMA setup for a NAND Flash data write:

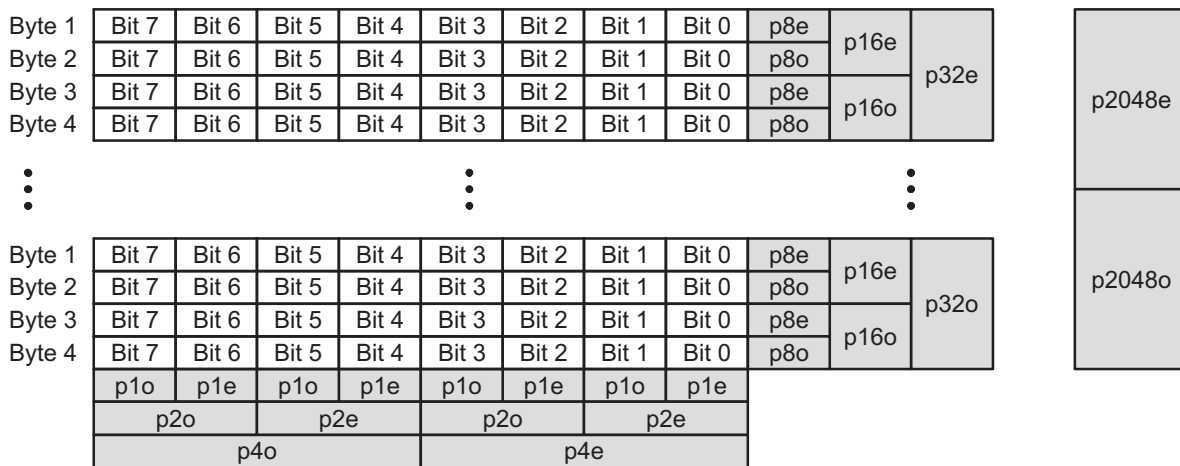
- $ACNT \leq 8$ bytes (this can also be set to less than or equal to the external data bus width)
- $BCNT = \text{transfer size in bytes}/ACNT$
- $SIDX$ (source index) = $ACNT$
- $DIDX$ (destination index) = 0
- AB synchronized

2.5.6.6 ECC Generation

If the CS_nNAND bit in the NAND Flash control register (NANDFCR) is set to 1, the EMIF supports ECC calculation for up to 512 bytes for the corresponding chip select care. To perform the ECC calculation, the CS2ECC bit in NANDFCR must be set to 1. The ECC calculation for each chip select space is independent of each other. It is the responsibility of the software to start the ECC calculation by writing to the CS2ECC bit prior to issuing a write or read to NAND Flash. It is also the responsibility of the software to read the calculated ECC from the NAND Flash 1 ECC register (NANDF1ECC) once the transfer to NAND Flash has completed. If the software writes or reads more than 512 bytes, the ECC will be incorrect. There is a NANDECC_n for each chip select space and when read, the corresponding CS_nECC bit in NANDFCR is cleared. The NANDF1ECC is cleared upon writing a 1 to the CS2ECC bit. [Figure 9](#) shows the algorithm used to calculate the ECC value for an 8-bit NAND Flash.

For an 8-bit NAND Flash p1e through p4e are column parities and p8e through p2048 are row parities. Similarly, the algorithm can be extended to a 16-bit NAND Flash. For a 16-bit NAND Flash p1e through p8e are column parities and p16e through p2048 are row parities. The software must ignore the unwanted parity bits if ECC is desired for less than 512 bytes of data. For example, p2048e and p2048o are not required for ECC on 256 bytes of data. Similarly, p1024e, p1024o, p2048e, and p2048o are not required for ECC on 128 bytes of data.

Figure 9. ECC Value for 8-Bit NAND Flash



2.5.6.7 NAND Flash Status Register (NANDFSR)

The NAND Flash status register (NANDFSR) indicates the raw status of the EM_WAIT n pin. The EM_WAIT n pin should be connected to the NAND Flash device's R/ \bar{B} signal, so that it indicates whether or not the NAND Flash device is busy. During a read, the R/ \bar{B} signal will transition and remain low while the NAND Flash retrieves the data requested. Once the R/ \bar{B} signal transitions high, the requested data is ready and should be read by the EMIF. During a write/program operation, the R/ \bar{B} signal transitions and remains low while the NAND Flash is programming the Flash with the data it has received from the EMIF. Once the R/ \bar{B} signal transitions high, the data has been written to the Flash and the next phase of the transaction may be performed. From this explanation, you can see that the NAND Flash status register is useful to the software for indicating the status of the NAND Flash device and determining when to proceed to the next phase of a NAND Flash operation.

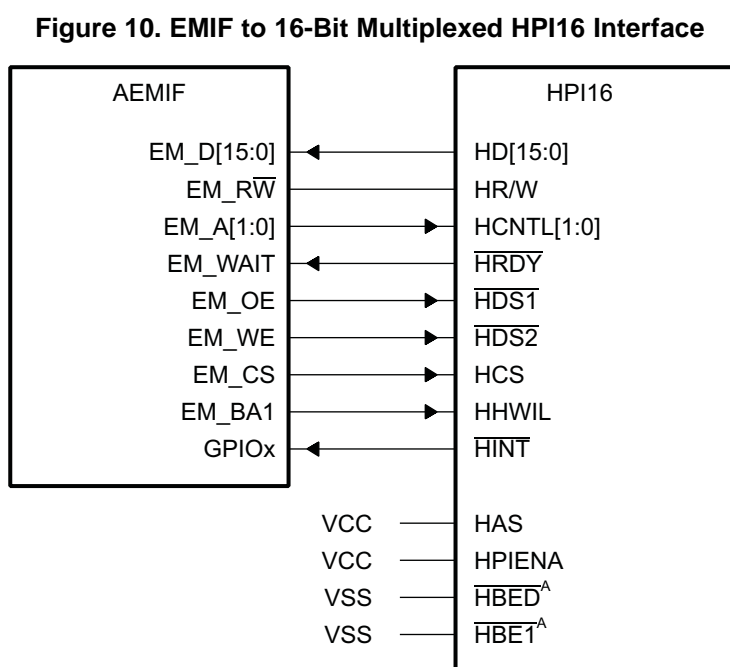
When a rising edge occurs on the EM_WAIT n pin, the EMIF sets the WR (wait rise) bit in the EMIF interrupt raw register (EIRR). Therefore, the EMIF wait rise interrupt may be used to indicate the status of the NAND Flash device. The WP n bit in the asynchronous wait cycle configuration register (AWCCR) does not affect the NAND Flash status register (NANDFSR) or the WR n bit in EIRR. See [Section 2.5.11.1](#) for more a detailed description of the wait rise interrupt.

2.5.6.8 Interfacing to a Non-CE Don't Care NAND Flash

As explained in [Section 2.5.6.4](#), the EMIF does not support NAND Flash devices that require the chip select signal to remain low during the t_r time for a read. One way to work around this limitation is to use a GPIO pin to drive the $\bar{C}\bar{E}$ signal of the NAND Flash device. If this work around is implemented, software will configure the selected GPIO to be low, then begin the NAND Flash operation, starting with the command phase. Once the NAND Flash operation has completed the software will configure the selected GPIO to be high. See [Section 3](#) for more details on the GPIO workaround.

2.5.7 Interfacing to a TI DSP HPI

The EMIF supports connecting as a host to a TI DSP HPI interface. When connecting to a TI DSP HPI interface, the EMIF must be configured for normal mode operation. [Figure 10](#) shows the connection diagram.



A HBE signals may not be present on all HPI interfaces.

2.5.8 Extended Wait Mode and the EM_WAIT Pin

The Extended Wait mode is a mode in which the external asynchronous device may assert control over the length of the strobe period. The Extended Wait mode can be entered by setting the EW bit in the asynchronous configuration register (ACFG n). When the EW bit is set, the EMIF monitors the EM_WAIT[5:2] pins to determine if the attached device wishes to extend the strobe period of the current access cycle beyond the programmed number of clock cycles.

When the EMIF detects that the EM_WAIT pin has been asserted, it will begin inserting extra strobe cycles into the operation until the EM_WAIT pin is deactivated by the external device. The EMIF will then return to the last cycle of the programmed strobe period and the operation will proceed as usual from this point. Refer to the device-specific data manual for details on the timing requirements of the EM_WAIT signal.

The EM_WAIT pin cannot be used to extend the strobe period indefinitely. The programmable MEWC bit in the asynchronous wait cycle configuration register (AWCCR) determines the maximum number of EMIF clock cycles the strobe period may be extended beyond the programmed length. When the number of cycles programmed in the MEWC bit expires, the EMIF proceeds to the hold period of the operation regardless of the state of the EM_WAIT pin. The EMIF can also generate an interrupt upon expiration of this counter. See [Section 2.5.11.1](#) for details on enabling this interrupt.

For the EMIF to function properly in the Extended Wait mode, the WP n bit in AWCCR must be programmed to match the polarity of the attached device. When the WP n bit is in its reset state of 1, the EMIF will insert wait cycles when the EM_WAIT n pin is sampled high; when the WP n bit is cleared to 0, the EMIF will insert wait cycles only when the EM_WAIT n pin is sampled low. This programmability allows for a glueless connection to larger variety of asynchronous devices.

Finally, a restriction is placed on the setup and strobe period timing parameters when operating in Extended Wait mode. Specifically, the sum of the W_SETUP and W_STROBE fields must be greater than 4, and the sum of the R_SETUP and R_STROBE fields must be greater than 4 for the EMIF to recognize the EM_WAIT pin has been asserted. The W_SETUP, W_STROBE, R_SETUP, and R_STROBE fields are in ACFG n .

2.5.9 Data Bus Parking

The EMIF always drives the data bus to the previous write data value when it is idle. This feature is called data bus parking. Only when the EMIF issues a read command to the external memory does it stop driving the data bus. After the EMIF latches the last read data, it immediately parks the data bus again.

2.5.10 Reset and Initialization Considerations

The EMIF and its registers will be reset when any of the following events occur:

1. The $\overline{\text{RESET}}$ pin on the device is asserted
2. The EMIF is placed in reset by the Power and Sleep Controller.

When a reset occurs, the EMIF will immediately abandon any access request that is in progress and reset all registers and internal logic to their default state.

Following device power up and deassertion of the $\overline{\text{RESET}}$ pin, the internal clock to the EMIF is turned on and the EMIF memory-mapped registers are programmed to their default values.

2.5.11 Interrupt Support

The EMIF has a single interrupt source (Table 13) mapped to the ARM interrupt controller. For more information on the ARM interrupt controller (AINTC), see the *TMS320DM646x DMSoC ARM Subsystem Reference Guide (SPRUEP9)*.

Table 13. EMIF Interrupt

ARM Event	Acronym	Source
60	EMIFAINTE	EMIF

The EMIF supports a single interrupt to the CPU. Section 2.5.11.1 details the generation and internal masking of EMIF interrupts and Section 2.5.11.2 describes how the EMIF interrupts are sent to the CPU.

2.5.11.1 Interrupt Events

There are two conditions that may cause the EMIF to generate an interrupt to the CPU. These two conditions are:

- A rising edge on the EM_WAIT signal (wait rise interrupt)
- An asynchronous time out

The wait rise interrupt is not affected by the WP_n bit in the asynchronous wait cycle configuration register (AWCCR). The asynchronous time out interrupt condition occurs when the attached asynchronous device fails to deassert the EM_WAIT pin within the number of cycles defined by the MEWC bit in AWCCR.

Only when the interrupt is enabled by setting the appropriate bit (WRMSET n or ATMSET) in the EMIF interrupt mask set register (EIMSR) to 1, will the interrupt be sent to the CPU. Once enabled, the interrupt may be disabled by writing a 1 to the corresponding bit in the EMIF interrupt mask clear register (EIMCR). The bit fields in both the EIMSR and EIMCR may be used to indicate whether the interrupt is enabled. When the interrupt is enabled, the corresponding bit field in both the EIMSR and EIMCR will have a value of 1; when the interrupt is disabled, the corresponding bit field will have a value of 0.

The EMIF interrupt raw register (EIRR) and the EMIF interrupt mask register (EIMR) indicate the status of each interrupt. The appropriate bit (WR n or AT) in EIRR is set when the interrupt condition occurs, whether or not the interrupt has been enabled. Whereas, the appropriate bit (WRM n or ATM) in EIMR is set only when the interrupt condition occurs and the interrupt is enabled. Writing a 1 to the bit in EIRR clears the EIRR bit as well as the corresponding bit in EIMR.

Table 14 contains a brief summary of the interrupt status and control bit fields. See Section 4 for complete details on the register fields.

Table 14. Interrupt Monitor and Control Bit Fields

Register Name	Bit Name	Description
EMIF interrupt raw register (EIRR)	WR n	This bit is always set when a rising edge on the EM_WAIT signal occurs. Writing a 1 clears the WR n bit as well as the WRM n bit in EIMR.
	AT	This bit is always set when an asynchronous timeout occurs. Writing a 1 clears the AT bit as well as the ATM bit in EIMR.
EMIF interrupt mask register (EIMR)	WRM n	This bit is only set when a rising edge on the EM_WAIT signal occurs and the interrupt has been enabled by writing a 1 to the WRMSET n bit in EIMSR.
	ATM	This bit is only set when an asynchronous timeout occurs and the interrupt has been enabled by writing a 1 to the ATMSET bit in EIMSR.
EMIF interrupt mask set register (EIMSR)	WRMSET n	Writing a 1 to this bit enables the wait rise interrupt.
	ATMSET	Writing a 1 to this bit enables the asynchronous timeout interrupt.
EMIF interrupt mask clear register (EIMCR)	WRMCLR n	Writing a 1 to this bit disables the wait rise interrupt.
	ATMCLR	Writing a 1 to this bit disables the asynchronous timeout interrupt.

2.5.11.2 Interrupt Multiplexing

The EMIF interrupt is supported by both the ARM and DSP. The interrupt is not multiplexed with another interrupt and is therefore always available.

2.5.12 Program Execution

Since the EMIF does not have byte enable or data mask pins, byte accesses to memory are not supported when the data bus width is equal to 16 bits. When performing data accesses on a 16-bit bus, this may be worked around by performing a write modify read back operation. When executing code from the EMIF, the bus width must be configured to be an 8-bit data bus.

2.5.13 Power Management

Power dissipation to the EMIF may be managed by gating the input clock to the EMIF off. The input clock is turned off outside of the EMIF through the use of the Power and Sleep Controller (PSC). When the PSC sends a clock stop request to the EMIF, the EMIF will complete pending transfers before issuing a clock stop acknowledge, allowing the PSC to stop the clock. See the *TMS320DM646x DMSoC ARM Subsystem Reference Guide* ([SPRUEP9](#)) for more information.

2.5.14 Emulation Considerations

The operation of the EMIF is not affected when a breakpoint is reached or an emulation halt occurs.

3 Use Cases

The EMIF allows a high degree of programmability for shaping asynchronous accesses. As previously stated, the shape and duration of the asynchronous access is determined by controlling the widths of the SETUP, STROBE, HOLD, and turnaround periods. The widths of these periods are configured by programming the asynchronous configuration register (ACFG $_n$) for the corresponding chip select space. See [Section 2.5.3](#) and [Section 4.3](#) for more information.

The programmability inherent to the EMIF, provides the EMIF with the flexibility to interface with a variety of asynchronous memory types. By programming the W_SETUP/R_SETUP, W_STROBE/R_STROBE, W_HOLD/R_HOLD, TA, and ASIZE fields in ACFG $_n$, the EMIF can be configured to meet the data sheet specification for most asynchronous memory devices.

This section presents examples describing how to interface the EMIF to asynchronous SRAM and NAND Flash devices.

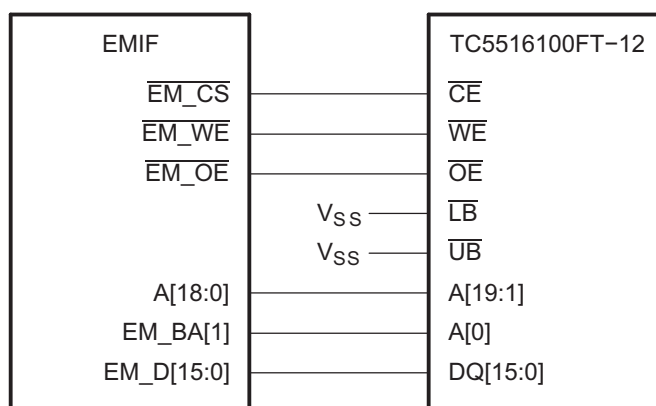
3.1 Interfacing to Asynchronous SRAM (ASRAM)

The following example describes how to interface the EMIF to the Toshiba TC55V16100FT-12 device.

3.1.1 Connecting to ASRAM

[Figure 11](#) shows how to connect the EMIF to the TC55V16100FT-12 device. Since the EMIF does not include data mask or byte enable signals, the $\overline{\text{LB}}$ and $\overline{\text{UB}}$ signals of the ASRAM must be tied high.

Figure 11. Connecting the EMIF to the TC55V16100FT-12



3.1.2 Meeting AC Timing Requirements for ASRAM

When configuring the EMIF to interface to ASRAM, you must consider the AC timing requirements of the ASRAM as well as the AC timing requirements of the EMIF. These can be found in the data sheet for each respective device. The read and write asynchronous cycles are programmed separately in the asynchronous configuration register (ACFGn).

For a read access, [Table 15](#) to [Table 17](#) list the AC timing specifications that must be considered.

Table 15. EMIF Input Timing Requirements

Parameter	Description
t_{SU}	Data Setup time, data valid before $\overline{EM_OE}$ high
t_H	Data Hold time, data valid after $\overline{EM_OE}$ high

Table 16. ASRAM Output Timing Characteristics

Parameter	Description
t_{ACC}	Address Access time
t_{OH}	Output data Hold time for address change
t_{COD}	Output Disable time from chip enable

Table 17. ASRAM Input Timing Requirement for a Read

Parameter	Description
t_{RC}	Read Cycle time

[Figure 12](#) shows an asynchronous read access and describes how the EMIF and ASRAM AC timing requirements work together to define the values for R_SETUP, R_STROBE, and R_HOLD.

From [Figure 12](#), the following equations may be derived. t_{cyc} is the period at which the EMIF operates. The R_SETUP, R_STROBE, and R_HOLD fields are programmed in terms of EMIF cycles where as the data sheet specifications are typically given in nano seconds. This explains the presence of t_{cyc} in the denominator of the following equations. A minus 1 is included in the equations because each field in ACFGn is programmed in terms of EMIF clock cycles, minus 1 cycle. For example, R_SETUP is equal to R_SETUP width in EMIF clock cycles minus 1 cycle.

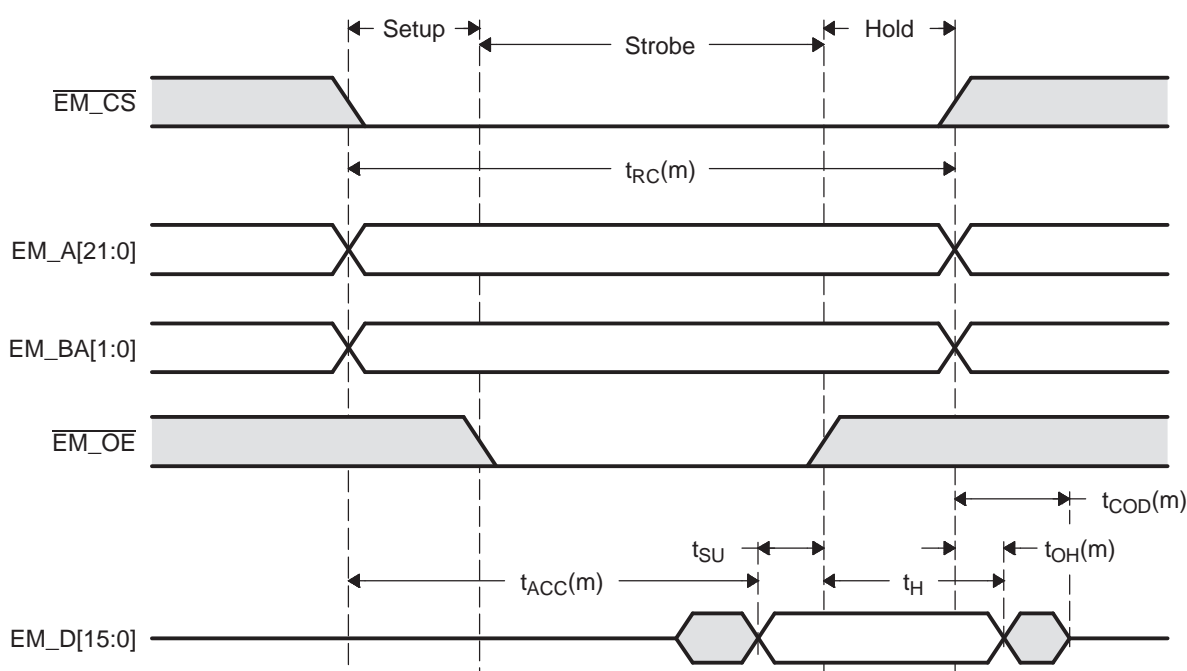
$$R_SETUP + R_STROBE \geq \frac{(t_{ACC}(m) + t_{SU})}{t_{cyc}} - 1$$

$$R_SETUP + R_STROBE + R_HOLD \geq \frac{t_{RC}(m)}{t_{cyc}} - 3$$

$$R_HOLD \geq \frac{(t_H - t_{OH}(m))}{t_{cyc}} - 1$$

The EMIF offers an additional parameter, TA, that defines the turnaround time between read and write cycles. This parameter protects against the situation when the output turn-off time of the memory is longer than the time it takes to start the next write cycle. If this is the case, the EMIF will drive data at the same time as the memory, causing contention on the bus. By examining [Figure 12](#), the equation for TA can be derived as:

$$TA \geq \frac{t_{COD}(m)}{t_{cyc}} - 1$$

Figure 12. Timing Waveform of an ASRAM Read


For a write access, [Table 18](#) lists the AC timing specifications that must be satisfied.

Table 18. ASRAM Input Timing Requirements for a Write

Parameter	Description
t_{WP}	Write Pulse width
t_{AW}	Address valid to end of Write
t_{DS}	Data Setup time
t_{WR}	Write Recovery time
t_{DH}	Data Hold time
t_{WC}	Write Cycle time

Figure 13 shows an asynchronous write access and describes how the EMIF and ASRAM AC timing requirements work together to define values for W_SETUP, W_STROBE, and W_HOLD.

From Figure 13, the following equations may be derived. t_{cyc} is the period at which the EMIF operates. The W_SETUP, W_STROBE, and W_HOLD fields are programmed in terms of EMIF cycles where as the data sheet specifications are typically given in nano seconds. This explains the presence of t_{cyc} in the denominator of the following equations. A minus 1 is included in the equations because each field in ACFGn is programmed in terms of EMIF clock cycles, minus 1 cycle. For example, W_SETUP is equal to W_SETUP width in EMIF clock cycles minus 1 cycle.

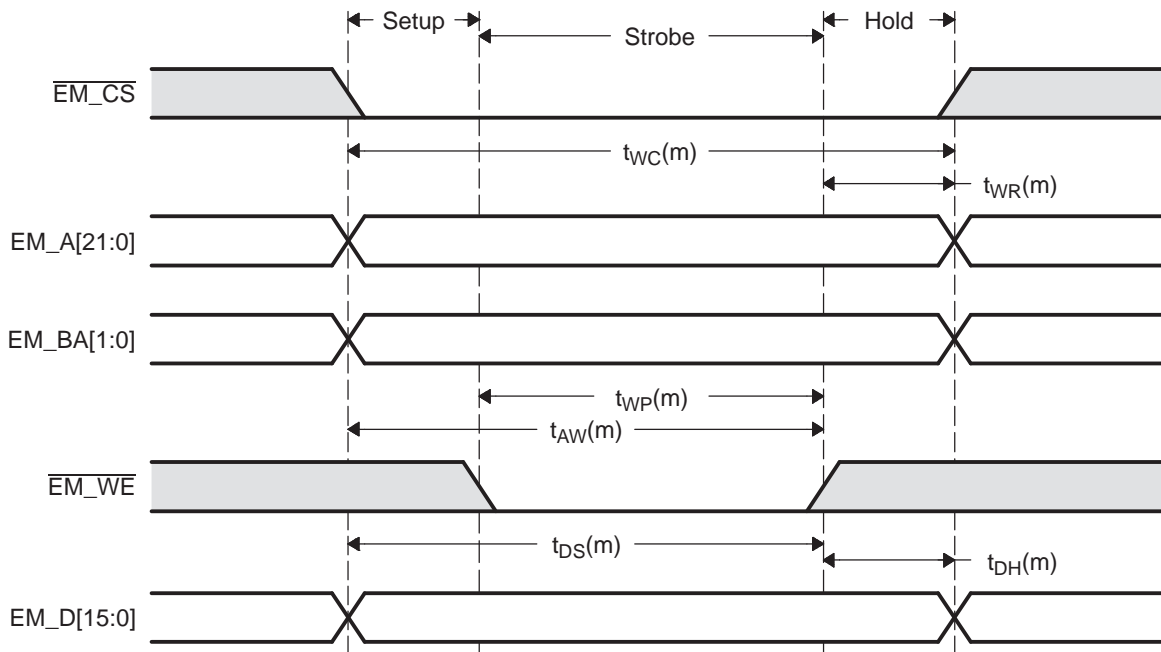
$$W_STROBE \geq \frac{t_{WP}(m)}{t_{cyc}} - 1$$

$$W_SETUP + W_STROBE \geq \max\left(\frac{t_{AW}(m)}{t_{cyc}}, \frac{t_{DS}(m)}{t_{cyc}}\right) - 1$$

$$W_HOLD \geq \max\left(\frac{t_{WR}(m)}{t_{cyc}}, \frac{t_{DH}(m)}{t_{cyc}}\right) - 1$$

$$W_SETUP + W_STROBE + W_HOLD \geq \frac{t_{WC}(m)}{t_{cyc}} - 3$$

Figure 13. Timing Waveform of an ASRAM Write



3.1.3 Taking Into Account PCB Delays

The equations described in [Section 3.1.2](#) are for the ideal case, when board design does not contribute delays. Board characteristics, such as impedance, loading, length, number of nodes, etc., affect how the device driver behaves. Signals driven by the EMIF will be delayed when they reach the ASRAM and conversely. [Table 19](#) lists the delays shown in [Figure 14](#) and [Figure 15](#) due to PCB affects. The PCB delays are board specific and must be estimated or determined through the use of IBIS modeling. The signals denoted (ASRAM) are the signals seen at the ASRAM. For example, $\overline{EM_CS}$ represents the signal at the EMIF and $\overline{EM_CS}$ (ASRAM) represents the delayed signal seen at the ASRAM.

Table 19. ASRAM Timing Requirements With PCB Delays

Parameter	Description
Read Access	
t_{EM_CS}	Delay on $\overline{EM_CS}$ from EMIF to ASRAM. $\overline{EM_CS}$ is driven by EMIF.
t_{EM_A}	Delay on EM_A from EMIF to ASRAM. EM_A is driven by EMIF.
t_{EM_OE}	Delay on $\overline{EM_OE}$ from EMIF to ASRAM. $\overline{EM_OE}$ is driven by EMIF.
t_{EM_D}	Delay on EM_D from ASRAM to EMIF. EM_D is driven by ASRAM.
Write Access	
t_{EM_CS}	Delay on $\overline{EM_CS}$ from EMIF to ASRAM. $\overline{EM_CS}$ is driven by EMIF.
t_{EM_A}	Delay on EM_A from EMIF to ASRAM. EM_A is driven by EMIF.
t_{EM_WE}	Delay on $\overline{EM_WE}$ from EMIF to ASRAM. $\overline{EM_WE}$ is driven by EMIF.
t_{EM_D}	Delay on EM_D from EMIF to ASRAM. EM_D is driven by EMIF.

From [Figure 14](#), the following equations may be derived. t_{cyc} is the period at which the EMIF operates. The R_SETUP, R_STROBE, and R_HOLD fields are programmed in terms of EMIF cycles where as the data sheet specifications are typically given in nano seconds. This explains the presence of t_{cyc} in the denominator of the following equations. A minus 1 is included in the equations because each field in ACFGn is programmed in terms of EMIF clock cycles, minus 1 cycle. For example, R_SETUP is equal to R_SETUP width in EMIF clock cycles minus 1 cycle.

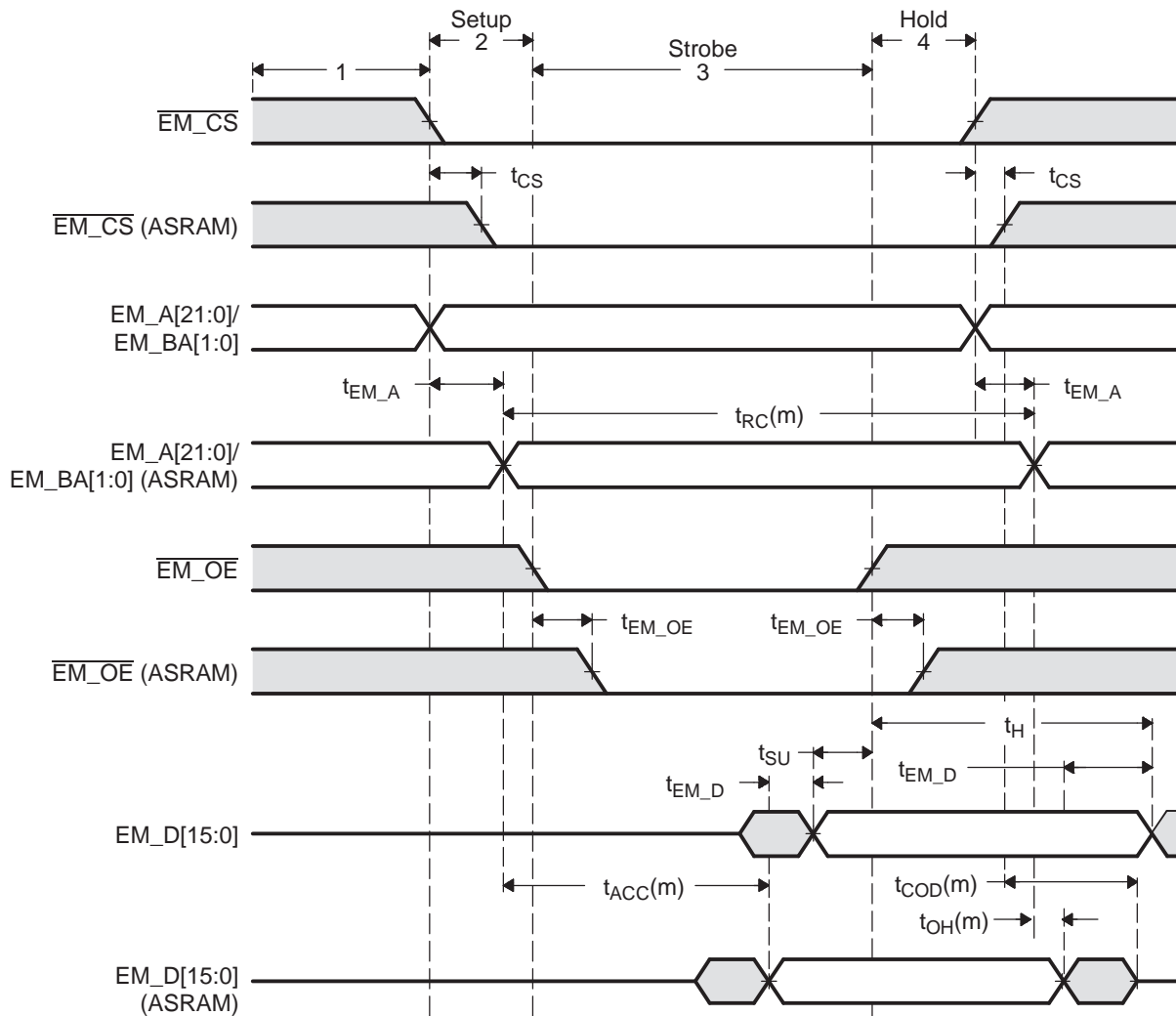
$$R_SETUP + R_STROBE \geq \frac{(t_{EM_A} + t_{ACC}(m) + t_{SU} + t_{EM_D})}{t_{cyc}} - 1$$

$$R_SETUP + R_STROBE + R_HOLD \geq \frac{t_{RC}(m)}{t_{cyc}} - 3$$

$$R_HOLD \geq \frac{(t_H - t_{EM_D} - t_{OH}(m) - t_{EM_A})}{t_{cyc}} - 1$$

$$TA \geq \frac{(t_{EM_CS} + t_{COD}(m) + t_{EM_D})}{t_{cyc}} - 1$$

Figure 14. Timing Waveform of an ASRAM Read with PCB Delays



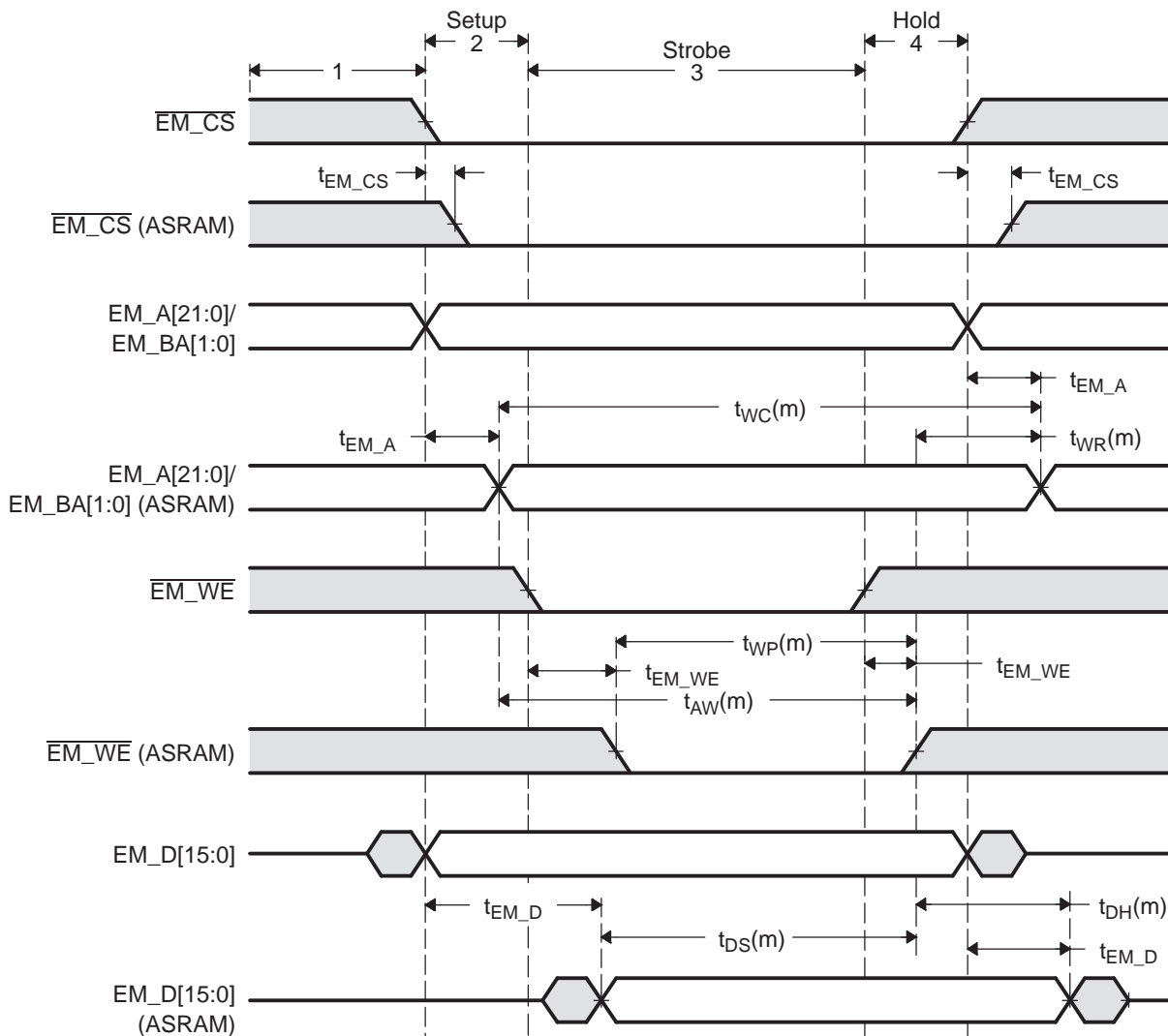
From Figure 15, the following equations may be derived. t_{cyc} is the period at which the EMIF operates. The W_SETUP , W_STROBE , and W_HOLD fields are programmed in terms of EMIF cycles where as the data sheet specifications are typically given in nano seconds. This explains the presence of t_{cyc} in the denominator of the following equations. A minus 1 is included in the equations because each field in $ACFGn$ is programmed in terms of EMIF clock cycles, minus 1 cycle. For example, W_SETUP is equal to W_SETUP width in EMIF clock cycles minus 1 cycle.

$$W_STROBE \geq \frac{t_{WP}(m)}{t_{cyc}} - 1$$

$$W_SETUP + W_STROBE \geq \max\left(\frac{(t_{EM_A} + t_{AW}(m) - t_{EM_WE})}{t_{cyc}}, \frac{(t_{EM_D} + t_{DS}(m) - t_{EM_WE})}{t_{cyc}}\right) - 1$$

$$W_HOLD \geq \max\left(\frac{(t_{EM_WE} + t_{WR}(m) - t_{EM_A})}{t_{cyc}}, \frac{(t_{EM_WE} + t_{DH}(m) - t_{EM_D})}{t_{cyc}}\right) - 1$$

$$W_SETUP + W_STROBE + W_HOLD \geq \frac{t_{WC}(m)}{t_{cyc}} - 3$$

Figure 15. Timing Waveform of an ASRAM Write with PCB Delays


3.1.4 Example Using TC5516100FT-12

This section takes you through the configuration steps required to implement Toshiba's TC55V1664FT-12 ASRAM with the EMIF. The following assumptions are made:

- ASRAM is connected to chip select space 3 ($\overline{\text{EM_CS}}[3]$)
- EMIF clock speed is 100 MHz ($t_{\text{cyc}} = 10 \text{ nS}$)

Table 20 lists the data sheet specifications for the EMIF and Table 21 lists the data sheet specifications for the ASRAM.

Table 20. EMIF Timing Requirements for TC5516100FT-12 Example

Parameter	Description	Min	Max	Units
t_{SU}	Data Setup time, data valid before $\overline{\text{EM_OE}}$ high	5		nS
t_{H}	Data Hold time, data valid after $\overline{\text{EM_OE}}$ high	0		nS

Table 21. ASRAM Timing Requirements for TC5516100FT-12 Example

Parameter	Description	Min	Max	Units
t_{ACC}	Address Access time		12	nS
t_{OH}	Output data Hold time for address change	3		nS
t_{RC}	Read cycle time	12		nS
t_{WP}	Write Pulse width	8		nS
t_{AW}	Address valid to end of Write	9		nS
t_{DS}	Data Setup time	7		nS
t_{WR}	Write Recovery time	0		nS
t_{DH}	Data Hold time	0		nS
t_{WC}	Write Cycle time	12		nS
t_{COD}	Output Disable time from chip enable		7	

Table 22 lists the values of the PCB board delays. The delays were estimated using the rule that there is 180 pS of delay for every 1 inch of trace.

Table 22. Measured PCB Delays for TC5516100FT-12 Example

Parameter	Description	Delay (ns)
Read Access		
$t_{\text{EM_CS}}$	Delay on $\overline{\text{EM_CS}}$ from EMIF to ASRAM. $\overline{\text{EM_CS}}$ is driven by EMIF.	0.36
$t_{\text{EM_A}}$	Delay on EM_A from EMIF to ASRAM. EM_A is driven by EMIF.	0.27
$t_{\text{EM_OE}}$	Delay on $\overline{\text{EM_OE}}$ from EMIF to ASRAM. $\overline{\text{EM_OE}}$ is driven by EMIF.	0.36
$t_{\text{EM_D}}$	Delay on EM_D from ASRAM to EMIF. EM_D is driven by ASRAM.	0.45
Write Access		
$t_{\text{EM_CS}}$	Delay on $\overline{\text{EM_CS}}$ from EMIF to ASRAM. $\overline{\text{EM_CS}}$ is driven by EMIF.	0.36
$t_{\text{EM_A}}$	Delay on EM_A from EMIF to ASRAM. EM_A is driven by EMIF.	0.27
$t_{\text{EM_WE}}$	Delay on $\overline{\text{EM_WE}}$ from EMIF to ASRAM. $\overline{\text{EM_WE}}$ is driven by EMIF.	0.36
$t_{\text{EM_D}}$	Delay on EM_D from EMIF to ASRAM. EM_D is driven by EMIF.	0.45

Inserting these values into the equations defined above allows you to determine the values for SETUP, STROBE, HOLD, and TA. For a read:

$$R_SETUP + R_STROBE \geq \frac{(t_{EM_A} + t_{ACC}(m) + t_{SU} + t_{EM_D})}{t_{cyc}} - 1 \geq \frac{(0.27 + 12 + 5 + 0.45)}{10} - 1 \geq 0.78$$

$$R_SETUP + R_STROBE + R_HOLD \geq \frac{t_{RC}(m)}{t_{cyc}} - 3 \geq \left(\frac{12}{10}\right) - 3 \geq -1.8$$

$$R_HOLD \geq \frac{(t_H - t_{EM_D} - t_{OH}(m) - t_{EM_A})}{t_{cyc}} - 1 \geq \frac{(0 - 0.45 - 3 - 0.27)}{10} - 1 \geq -1.37$$

$$TA \geq \frac{(t_{EM_CS} + T_{COD}(m) + t_{EM_D})}{t_{cyc}} - 1 \geq \frac{(0.36 + 7 + 0.45)}{10} - 1 \geq -0.22$$

Therefore if $R_SETUP = 0$, then $R_STROBE = 0$, $R_HOLD = 0$, and $TA = 0$.

For a write:

$$W_STROBE \geq \frac{t_{WP}(m)}{t_{cyc}} - 1 \geq \left(\frac{8}{10}\right) - 1 \geq -0.2$$

$$\begin{aligned} W_SETUP + W_STROBE &\geq \max\left(\frac{(t_{EM_A} + t_{AW}(m) - t_{EM_WE})}{t_{cyc}}, \frac{(t_{EM_D} + t_{DS}(m) - t_{EM_WE})}{t_{cyc}}\right) - 1 \\ &\geq \max\left(\frac{(0.36 + 0 - 0.27)}{10}, \frac{(0.36 + 0 - 0.45)}{10}\right) - 1 \geq -0.92 \end{aligned}$$

$$\begin{aligned} W_HOLD &\geq \max\left(\frac{(t_{EM_WE} + t_{WR}(m) - t_{EM_A})}{t_{cyc}}, \frac{(t_{EM_WE} + t_{DH}(m) - t_{EM_D})}{t_{cyc}}\right) - 1 \\ &\geq \max\left(\frac{(0.27 + 9 - 0.36)}{10}, \frac{(0.45 + 7 - 0.36)}{10}\right) - 1 \geq -0.1 \end{aligned}$$

$$W_SETUP + W_STROBE + W_HOLD \geq \frac{t_{WC}(m)}{t_{cyc}} - 3 \geq \left(\frac{12}{10}\right) - 3 \geq -1.8$$

Therefore, $W_SETUP = 0$, $W_STROBE = 0$, and $W_HOLD = 0$.

Since the value of the W_SETUP/R_SETUP, W_STROBE/R_STROBE, W_HOLD/R_HOLD, and TA fields are equal to EMIF clock cycles minus 1 cycle, the A2CR should be configured as in [Table 23](#). In this example, the EM_WAIT signal is not implemented; therefore, the asynchronous wait cycle configuration register (AWCCR) does not need to be programmed.

Table 23. Configuring A2CR for TC5516100FT-12 Example

Parameter	Setting
SS	Select Strobe mode. <ul style="list-style-type: none"> SS = 0. Places EMIF in Normal Mode.
EW	Extended Wait mode enable. <ul style="list-style-type: none"> EW = 0. Disabled Extended wait mode.
W_SETUP/R_SETUP	Read/Write setup widths. <ul style="list-style-type: none"> W_SETUP = 0 R_SETUP = 0
W_STROBE/R_STROBE	Read/Write strobe widths. <ul style="list-style-type: none"> W_STROBE = 0 R_STROBE = 0
W_HOLD/R_HOLD	Read/Write hold widths. <ul style="list-style-type: none"> W_HOLD = 0 R_HOLD = 0
TA	Minimum turnaround time. <ul style="list-style-type: none"> TA = 0
ASIZE	Asynchronous Device Bus Width. <ul style="list-style-type: none"> ASIZE = 1, select a 16-bit data bus width

3.2 Interfacing to NAND Flash

The following example explains how to interface the EMIF to the Hynix HY27UA081G1M NAND Flash device. [Section 2.5.6.2](#) describes how to connect the EMIF to the HY27UA081G1M.

3.2.1 Margin Requirements

The Flash interface is typically a low-performance interface compared to synchronous memory interfaces, high-speed asynchronous memory interfaces, and high-speed FIFO interfaces. For this reason, this example gives little attention to minimizing the amount of margin required when programming the asynchronous timing parameters. The approach used requires approximately 10 ns of margin on all parameters, which is not significant for a 100-ns read or write cycle. For additional details on minimizing the amount of margin, see the ASRAM example given in [Section 3.1](#).

Table 24. Recommended Margins

Timing Parameter	Recommended Margin
Output Setup	10 nS
Output Hold	10 nS
Input Setup	10 nS
Input Hold	10 nS

3.2.2 Meeting AC Timing Requirements for NAND Flash

When configuring the EMIF to interface to NAND Flash, you must consider the AC timing requirements of the NAND Flash as well as the AC timing requirements of the EMIF. These can be found in the data sheet for each respective device. The read and write asynchronous cycles are programmed separately in the asynchronous configuration register (ACFG n).

As described in [Section 2.5.6](#), a NAND Flash access cycle is composed of a command, address, and data phases. The EMIF will not automatically generate these three phases to complete a NAND access with one transfer request. To complete a NAND access cycle, multiple single asynchronous access cycles must be completed by the EMIF. The command and address phases of a NAND Flash access cycle are asynchronous writes performed by the EMIF where as the data phase can be either an asynchronous write or a read depending on whether the NAND Flash is being programmed or read.

Therefore, to determine the required EMIF configuration to interface to the NAND Flash for a read operation, [Table 25](#) and [Table 26](#) list the AC timing parameters that must be considered.

Table 25. EMIF Read Timing Requirements

Parameter	Description
t_{SU}	Data Setup time, data valid before $\overline{EM_OE}$ high
t_H	Data Hold time, data valid after $\overline{EM_OE}$ high

Table 26. NAND Flash Read Timing Requirements

Parameter	Description
t_{RP}	Read Pulse width
t_{REA}	Read Enable Access time
t_{CEA}	Chip Enable low to output valid
t_{CHZ}	Chip Enable high to output High-impedance
t_{RC}	Read Cycle time
t_{RHZ}	Read enable high to output High-impedance
t_{CLR}	Command Latch low to Read enable low

[Figure 16](#) shows an asynchronous read access and describes how the EMIF and NAND Flash AC timing requirements work together to define the values for R_SETUP, R_STROBE, and R_HOLD.

From Figure 16, the following equations may be derived. t_{cyc} is the period at which the EMIF operates. The R_SETUP, R_STROBE, and R_HOLD fields are programmed in terms of EMIF cycles where as the data sheet specifications are typically given in nano seconds. This explains the presence of t_{cyc} in the denominator of the following equations. A minus 1 is included in the equations because each field in ACFG n is programmed in terms of EMIF clock cycles, minus 1 cycle. For example, R_SETUP is equal to R_SETUP width in EMIF clock cycles minus 1 cycle.

$$R_SETUP \geq \frac{t_{CLR}(m)}{t_{cyc}} - 1$$

$$R_STROBE \geq \max\left(\frac{(t_{REA}(m) + t_{SU})}{t_{cyc}}, \frac{t_{RP}(m)}{t_{cyc}}\right) - 1$$

$$R_SETUP + R_STROBE \geq \frac{(t_{CEA}(m) + t_{SU})}{t_{cyc}} - 1$$

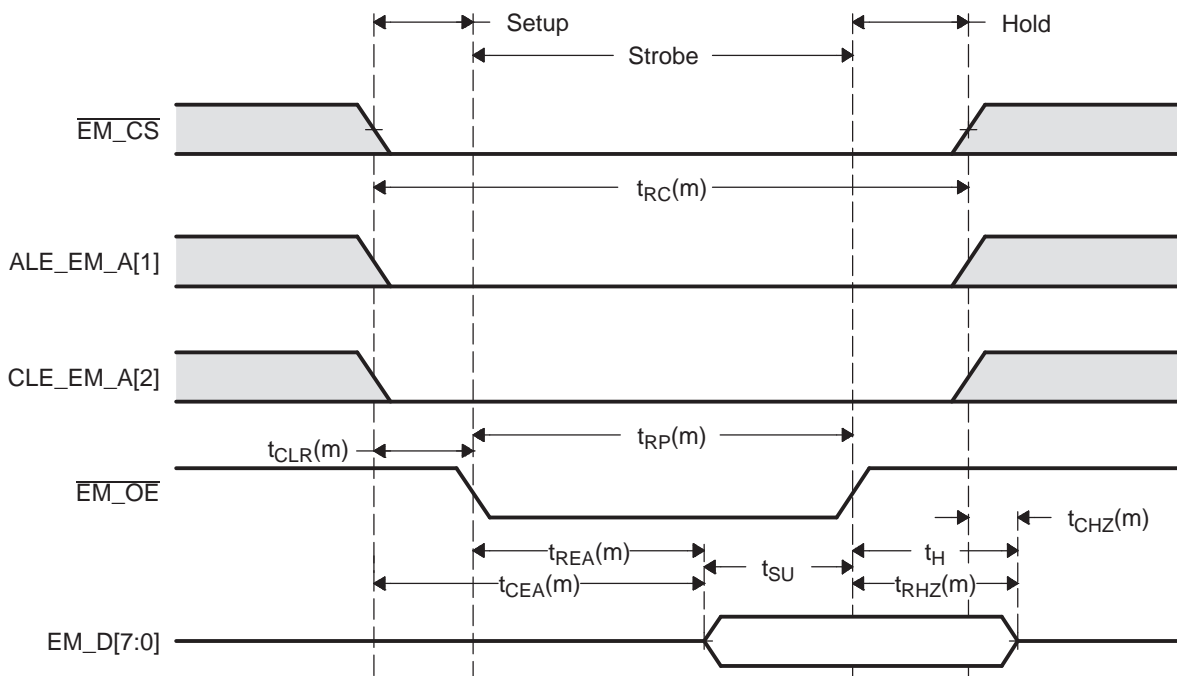
$$R_HOLD \geq \frac{(t_H - t_{CHZ}(m))}{t_{cyc}} - 1$$

$$R_SETUP + R_STROBE + R_HOLD \geq \frac{t_{RC}(m)}{t_{cyc}} - 3$$

The EMIF offers an additional parameter, TA, that defines the turnaround time between read and write cycles. This parameter protects against the situation when the output turn-off time of the memory is longer than the time it takes to start the next write cycle. If this is the case, the EMIF will drive data at the same time as the memory, causing contention on the bus. By examining Figure 16, the equation for TA can be derived as:

$$TA \geq \max\left(\frac{t_{CHZ}(m)}{t_{cyc}}, \frac{t_{RHZ}(m) - (R_HOLD + 1)t_{cyc}}{t_{cyc}}\right) - 1$$

Figure 16. Timing Waveform of a NAND Flash Read



To determine the required EMIF configuration to interface to the NAND Flash for a write operation, [Table 27](#) lists the NAND AC timing parameters for a command latch, address latch, and data input latch that must be considered.

Table 27. NAND Flash Write Timing Requirements

Parameter	Description
t_{WP}	Write Pulse width
t_{CLS}	CLE Setup time
t_{ALS}	ALE Setup time
t_{CS}	\overline{CS} Setup time
t_{DS}	Data Setup time
t_{CLH}	CLE Hold time
t_{ALH}	ALE Hold time
t_{CH}	\overline{CS} Hold time
t_{DH}	Data Hold time
t_{WC}	Write Cycle time

[Figure 17](#) to [Figure 19](#) show the command latch, address latch, and data input latch of the NAND access.

From [Figure 17](#) to [Figure 19](#), the following equations may be derived. t_{cyc} is the period at which the EMIF operates. The W_SETUP, W_STROBE, and W_HOLD fields are programmed in terms of EMIF cycles where as the data sheet specifications are typically given in nano seconds. This explains the presence of t_{cyc} in the denominator of the following equations. A minus 1 is included in the equations because each field in ACFGn is programmed in terms of EMIF clock cycles, minus 1 cycle. For example, W_SETUP is equal to W_SETUP width in EMIF clock cycles minus 1 cycle.

$$W_SETUP \geq \max\left(\frac{t_{CLS}(m)}{t_{cyc}}, \frac{t_{ALS}(m)}{t_{cyc}}, \frac{t_{CS}(m)}{t_{cyc}}\right) - 1$$

$$W_STROBE \geq \frac{t_{WP}(m)}{t_{cyc}} - 1$$

$$W_SETUP + W_STROBE \geq \frac{t_{DS}(m)}{t_{cyc}} - 1$$

$$W_HOLD \geq \max\left(\frac{t_{CLH}(m)}{t_{cyc}}, \frac{t_{ALH}(m)}{t_{cyc}}, \frac{t_{CH}(m)}{t_{cyc}}, \frac{t_{DH}(m)}{t_{cyc}}\right) - 1$$

$$W_SETUP + W_STROBE + W_HOLD \geq \frac{t_{WC}(m)}{t_{cyc}} - 3$$

Figure 17. Timing Waveform of a NAND Flash Command Write

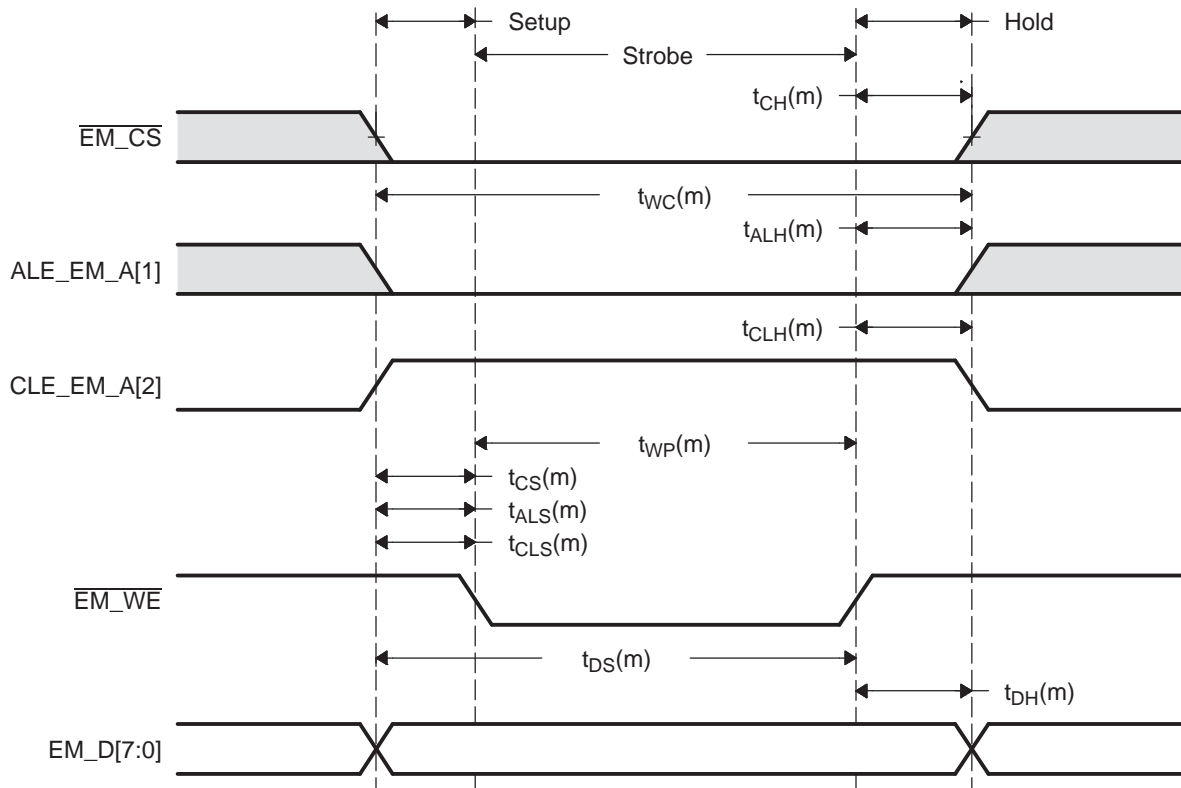


Figure 18. Timing Waveform of a NAND Flash Address Write

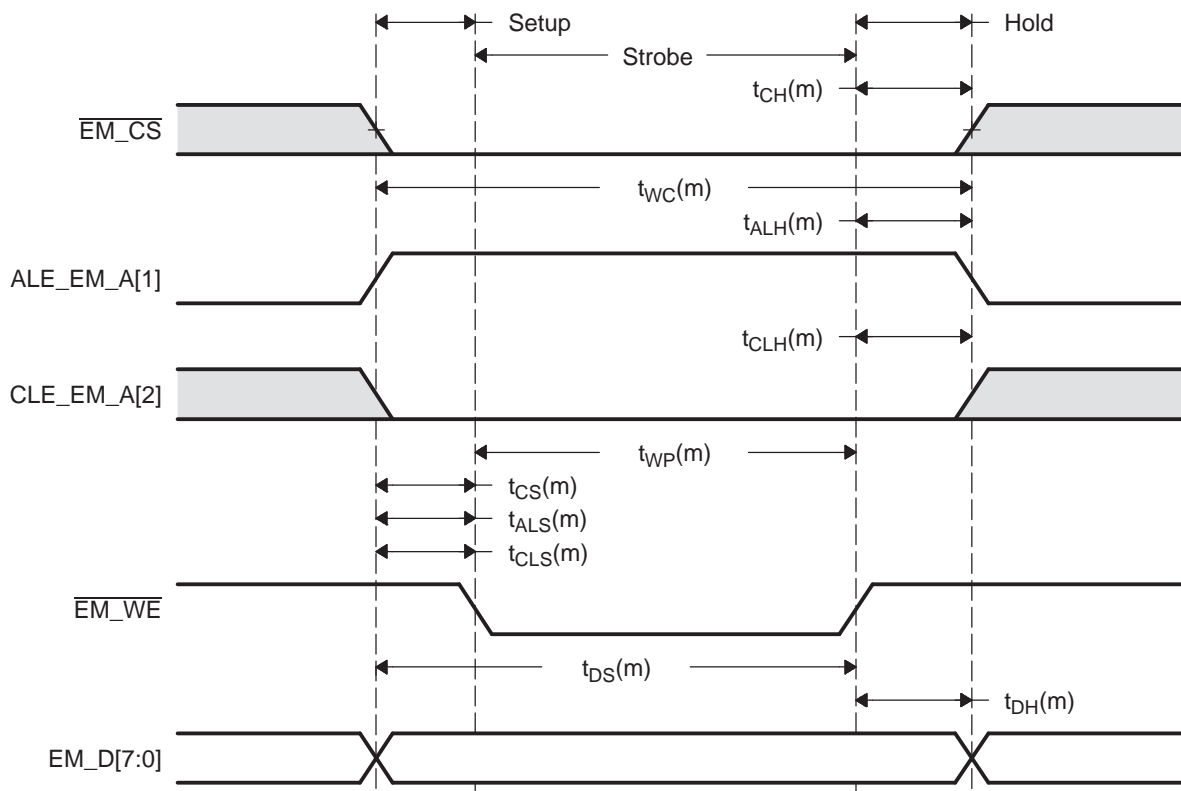
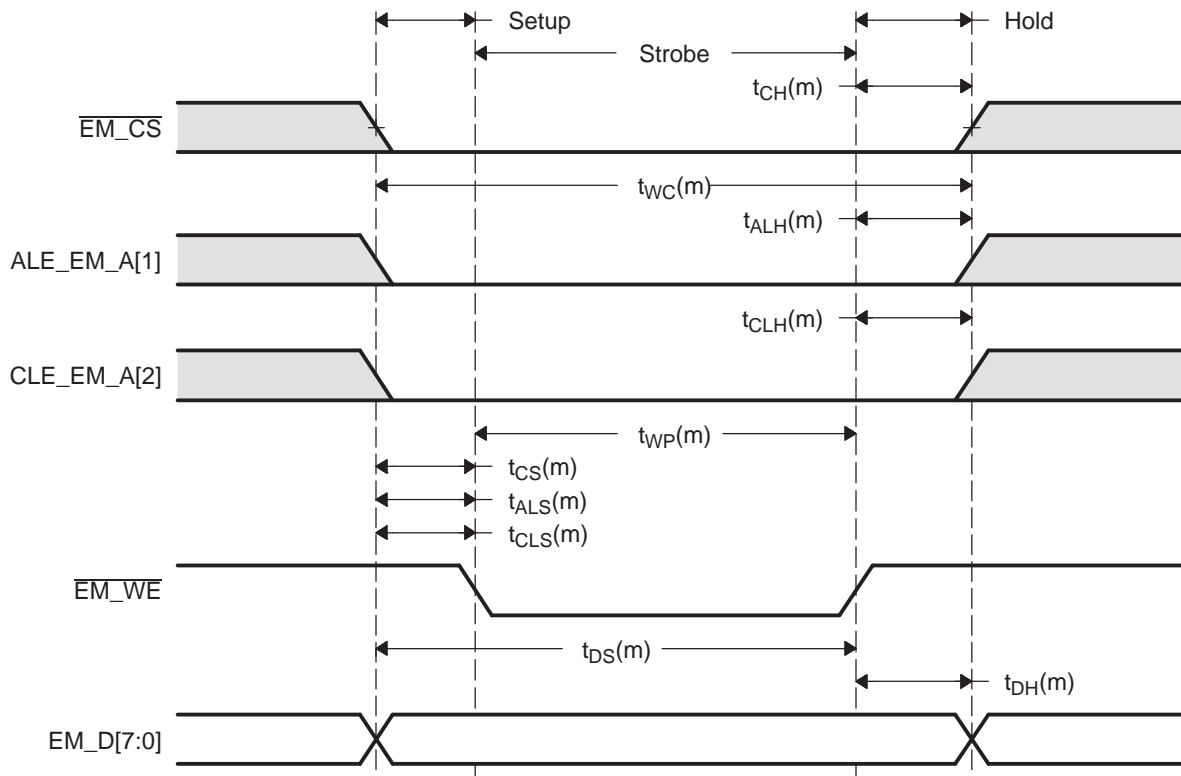


Figure 19. Timing Waveform of a NAND Flash Data Write



3.2.3 Example Using Hynix HY27UA081G1M

This section takes you through the configuration steps required to implement Hynix's HY27UA081G1M NAND Flash with the EMIF. The following assumptions are made:

- NAND Flash is connected to chip select space 2 ($\overline{\text{EM_CS}}[2]$)
- EMIF clock speed is 100 MHz ($t_{\text{cyc}} = 10 \text{ nS}$)

[Table 28](#) lists the data sheet specifications for the EMIF and [Table 29](#) lists the data sheet specifications for the NAND Flash.

Table 28. EMIF Timing Requirements for HY27UA081G1M Example

Parameter	Description	Min	Max	Units
t_{SU}	Data Setup time, data valid before $\overline{\text{EM_OE}}$ high	5		nS
t_{H}	Data Hold time, data valid after $\overline{\text{EM_OE}}$ high	0		nS

Table 29. NAND Flash Timing Requirements for HY27UA081G1M Example

Parameter	Description	Min	Max	Units
t_{RP}	Read Pulse width	60		nS
t_{REA}	Read Enable Access time		60	nS
t_{CEA}	Chip Enable low to output valid		75	nS
t_{CHZ}	Chip Enable high to output High-impedance		20	nS
t_{RC}	Read Cycle time	80		nS
t_{RHZ}	Read Enable high to output High-impedance		30	nS
t_{CLR}	Command Latch low to Read enable low	10		nS
t_{WP}	Write Pulse width	60		nS
t_{CLS}	CLE Setup time	0		nS
t_{ALS}	ALE Setup time	0		nS
t_{CS}	$\overline{\text{CS}}$ Setup time	0		nS
t_{DS}	Data Setup time	20		nS
t_{CLH}	CLE Hold time	10		nS
t_{ALH}	ALE Hold time	10		nS
t_{CH}	$\overline{\text{CS}}$ Hold time	10		nS
t_{DH}	Data Hold time	10		nS
t_{WC}	Write Cycle time	80		nS

Inserting these values into the equations defined above allows you to determine the values for SETUP, STROBE, HOLD, and TA. For a read:

$$R_SETUP \geq \frac{t_{CLR}(m)}{t_{cyc}} - 1 \geq \left(\frac{10}{10}\right) - 1 \geq 0$$

$$R_STROBE \geq \max\left(\frac{(t_{REA}(m) + t_{SU})}{t_{cyc}}, \frac{t_{RP}}{t_{cyc}}\right) - 1 \geq \left(\frac{65}{10}\right) - 1 \geq 5.5$$

$$R_SETUP + R_STROBE \geq \frac{(t_{CEA} + t_{SU})}{t_{cyc}} - 1 \geq \frac{(75 + 5)}{10} - 1 \geq 7$$

$$R_HOLD \geq \frac{(t_H - t_{CHZ}(m))}{t_{cyc}} - 1 \geq \frac{(0 - 20)}{10} - 1 \geq -3$$

$$R_SETUP + R_STROBE + R_HOLD \geq \frac{t_{RC}(m)}{t_{cyc}} - 3 \geq \left(\frac{80}{10}\right) - 3 \geq 5$$

Therefore with a 10 nS margin added in, $R_SETUP \geq 1.0$, $R_STROBE \geq 6.5$, and $R_HOLD \geq 0$.

After solving for R_HOLD , TA may be calculated:

$$TA \geq \max\left(\frac{t_{CHZ}(m)}{t_{cyc}}, \frac{t_{RHZ}(m) - (R_HOLD + 1)t_{cyc}}{t_{cyc}}\right) - 1 \geq \left(\frac{20}{10}\right) - 1 \geq 1$$

Adding a 10 ns margin, $TA \geq 2$.

For a write:

$$W_STROBE \geq \frac{t_{WP}(m)}{t_{cyc}} - 1 \geq \left(\frac{60}{10}\right) - 1 \geq 5$$

$$W_SETUP \geq \max\left(\frac{t_{CLS}(m)}{t_{cyc}}, \frac{t_{ALS}(m)}{t_{cyc}}, \frac{t_{CS}(m)}{t_{cyc}}\right) - 1 \geq \left(\frac{0}{10}\right) - 1 \geq -1$$

$$W_SETUP + W_STROBE \geq \frac{t_{DS}(m)}{t_{cyc}} - 1 \geq \left(\frac{20}{10}\right) - 1 \geq 1$$

$$W_HOLD \geq \max\left(\frac{t_{CLH}(m)}{t_{cyc}}, \frac{t_{ALH}(m)}{t_{cyc}}, \frac{t_{CH}(m)}{t_{cyc}}, \frac{t_{DH}(m)}{t_{cyc}}\right) - 1 \geq \left(\frac{10}{10}\right) - 1 \geq 0$$

$$W_SETUP + W_STROBE + W_HOLD \geq \frac{t_{WC}(m)}{t_{cyc}} - 3 \geq \left(\frac{80}{10}\right) - 3 \geq 5$$

Therefore with a 10 nS margin added in, $W_SETUP \geq 0$, $W_STROBE \geq 6$, and $W_HOLD \geq 1$.

Since the value of the W_SETUP/R_SETUP, W_STROBE/R_STROBE, W_HOLD/R_HOLD, and TA fields are equal to EMIF clock cycles minus 1 cycle, the A1CR should be configured as in [Table 30](#). In this example, although the EM_WAIT signal is connected to the R/B signal of the NAND Flash the Extended Wait mode of the EMIF is not used, therefore the asynchronous wait cycle configuration register (AWCCR) does not need to be programmed.

Table 30. Configuring A1CR for HY27UA081G1M Example

Parameter	Setting
SS	Select Strobe mode. <ul style="list-style-type: none"> SS = 0. Places EMIF in Normal Mode.
EW	Extended Wait mode enable. <ul style="list-style-type: none"> EW = 0. Disabled Extended wait mode.
W_SETUP/R_SETUP	Read/Write setup widths. <ul style="list-style-type: none"> W_SETUP = 0 R_SETUP = 2
W_STROBE/R_STROBE	Read/Write strobe widths. <ul style="list-style-type: none"> W_STROBE = 6 R_STROBE = 7
W_HOLD/R_HOLD	Read/Write hold widths. <ul style="list-style-type: none"> W_HOLD = 1 R_HOLD = 0
TA	Minimum turnaround time. <ul style="list-style-type: none"> TA = 2
ASIZE	Asynchronous device bus width. <ul style="list-style-type: none"> ASIZE = 0, select an 8-bit data bus width.

Since this is a NAND Flash example, the EMIF must be configured for NAND Flash mode. This is accomplished by configuring the NAND Flash control register (NANDFCR) as in [Table 31](#). In NANDFCR, chip select space 2 must be configured with NAND Flash mode enabled.

Table 31. Configuring NANDFCR for HY27UA081G1M Example

Parameter	Setting
CS5ECC	NAND Flash ECC start for chip select 5. <ul style="list-style-type: none"> CS5ECC = 0. Not set during configuration. Only set just prior to reading or writing data.
CS4ECC	NAND Flash ECC start for chip select 4. <ul style="list-style-type: none"> CS4ECC = 0. Not set during configuration. Only set just prior to reading or writing data.
CS3ECC	NAND Flash ECC start for chip select 3. <ul style="list-style-type: none"> CS3ECC = 0. Not set during configuration. Only set just prior to reading or writing data.
CS2ECC	NAND Flash ECC start for chip select 2. <ul style="list-style-type: none"> CS2ECC = 0. Not set during configuration. Only set just prior to reading or writing data.
CS5NAND	NAND Flash mode for chip select 5. <ul style="list-style-type: none"> CS5NAND = 0. NAND Flash mode is disabled.
CS4NAND	NAND Flash mode for chip select 4. <ul style="list-style-type: none"> CS4NAND = 0. NAND Flash mode is disabled.
CS3NAND	NAND Flash mode for chip select 3. <ul style="list-style-type: none"> CS3NAND = 0. NAND Flash mode is disabled.
CS2NAND	NAND Flash mode for chip select 2. <ul style="list-style-type: none"> CS5NAND = 1. NAND Flash mode is enabled.

4 Registers

The external memory interface (EMIF) is controlled by programming its internal memory-mapped registers (MMRs). [Table 32](#) lists the memory-mapped registers for the EMIF. See the device-specific data manual for the memory address of these registers. All other register offset addresses not listed in [Table 32](#) should be considered as reserved locations and the register contents should not be modified.

NOTE: The EMIF MMRs only support word (4 byte) accesses. Performing a byte (8 bit) or halfword (16 bit) write to a register results in unknown behavior.

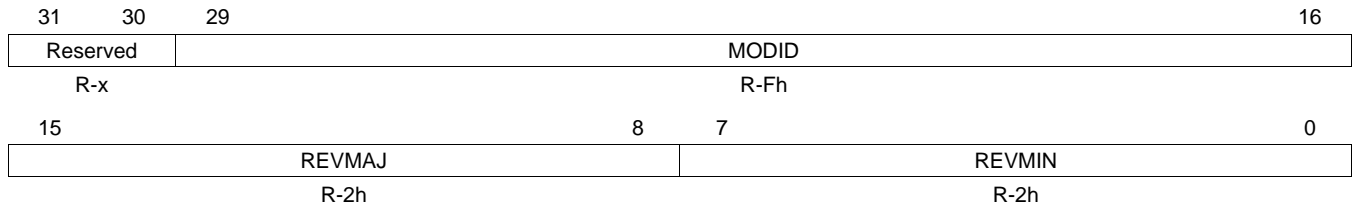
Table 32. External Memory Interface (EMIF) Registers

Offset	Acronym	Register Description	Section
0	RCSR	Revision Code and Status Register	Section 4.1
4h	AWCCR	Asynchronous Wait Cycle Configuration Register	Section 4.2
10h	A1CR	Asynchronous 1 Configuration Register (CS2 space)	Section 4.3
14h	A2CR	Asynchronous 2 Configuration Register (CS3 space)	Section 4.3
18h	A3CR	Asynchronous 3 Configuration Register (CS4 space)	Section 4.3
1Ch	A4CR	Asynchronous 4 Configuration Register (CS5 space)	Section 4.3
40h	EIRR	EMIF Interrupt Raw Register	Section 4.4
44h	EIMR	EMIF Interrupt Mask Register	Section 4.5
48h	EIMSR	EMIF Interrupt Mask Set Register	Section 4.6
4Ch	EIMCR	EMIF Interrupt Mask Clear Register	Section 4.7
60h	NANDFCR	NAND Flash Control Register	Section 4.8
64h	NANDFSR	NAND Flash Status Register	Section 4.9
70h	NANDF1ECC	NAND Flash 1 ECC Register (CS2 Space)	Section 4.10
74h	NANDF2ECC	NAND Flash 2 ECC Register (CS3 Space)	Section 4.10
78h	NANDF3ECC	NAND Flash 3 ECC Register (CS4 Space)	Section 4.10
7Ch	NANDF4ECC	NAND Flash 4 ECC Register (CS5 Space)	Section 4.10

4.1 Revision Code and Status Register (RCSR)

The revision code and status register (RCSR) is shown in [Figure 20](#) and described in [Table 33](#).

Figure 20. Revision Code and Status Register (RCSR)



LEGEND: R = Read only; -n = value after reset; -x = value is indeterminate after reset

Table 33. Revision Code and Status Register (RCSR) Field Descriptions

Bit	Field	Value	Description
31-30	Reserved	0	Reserved
29-16	MODID	0-3FFFh Fh	Module identification. Asynchronous memory interface.
15-8	REVMAJ	0-FFh 2h	Major Revision. EMIF code revisions are indicated by a revision code taking the format REVMAJ.REVMIN. Current major revision.
7-0	REVMIN	0-FFh 2h	Minor Revision. EMIF code revisions are indicated by a revision code taking the format REVMAJ.REVMIN. Current minor revision.

4.2 Asynchronous Wait Cycle Configuration Register (AWCCR)

The asynchronous wait cycle configuration register (AWCCR) is used to configure the parameters for extended wait cycles. Both the polarity of the EM_WAIT[5:2] pins and the maximum allowable number of extended wait cycles can be configured. The AWCCR is shown in Figure 21 and described in Table 34.

NOTE: The EW bit in the asynchronous configuration register (ACFG_n) must be set to allow for the insertion of extended wait cycles.

Figure 21. Asynchronous Wait Cycle Configuration Register (AWCCR)

31	30	29	28	27	24	23	22	21	20	19	18	17	16
WP3	WP2	WP1	WP0	Reserved			CS5_WAIT	CS4_WAIT	CS3_WAIT	CS2_WAIT			
R/W-1	R/W-1	R/W-1	R/W-1	R-0			R/W-3h	R/W-2h	R/W-1		R/W-0		
15					8		7		0				
Reserved							MEWC						
R-0							R/W-80h						

LEGEND: R/W = Read/Write; R = Read only; -n = value after reset

Table 34. Asynchronous Wait Cycle Configuration Register (AWCCR) Field Descriptions

Bit	Field	Value	Description
31	WP3	0 1	WAIT polarity bit. This bit defines the polarity of the EM_WAIT[5] pin. Insert wait cycles if EM_WAIT[5] pin is low. Insert wait cycles if EM_WAIT[5] pin is high.
30	WP2	0 1	WAIT polarity bit. This bit defines the polarity of the EM_WAIT[4] pin. Insert wait cycles if EM_WAIT[4] pin is low. Insert wait cycles if EM_WAIT[4] pin is high.
29	WP1	0 1	WAIT polarity bit. This bit defines the polarity of the EM_WAIT[3] pin. Insert wait cycles if EM_WAIT[3] pin is low. Insert wait cycles if EM_WAIT[3] pin is high.
28	WP0	0 1	WAIT polarity bit. This bit defines the polarity of the EM_WAIT[2] pin. Insert wait cycles if EM_WAIT[2] pin is low. Insert wait cycles if EM_WAIT[2] pin is high.
27-24	Reserved	0	Reserved
23-22	CS5_WAIT	0-3h 0 1h 2h 3h	EM_WAIT[5:2] pin map for chip select 5. By default, the EM_WAIT[5] pin is used for chip select 5. EM_WAIT[2] pin is used. EM_WAIT[3] pin is used. EM_WAIT[4] pin is used. EM_WAIT[5] pin is used.
21-20	CS4_WAIT	0-3h 0 1h 2h 3h	EM_WAIT[5:2] pin map for chip select 4. By default, the EM_WAIT[4] pin is used for chip select 4. EM_WAIT[2] pin is used. EM_WAIT[3] pin is used. EM_WAIT[4] pin is used. EM_WAIT[5] pin is used.
19-18	CS3_WAIT	0-3h 0 1h 2h 3h	EM_WAIT[5:2] pin map for chip select 3. By default, the EM_WAIT[3] pin is used for chip select 3. EM_WAIT[2] pin is used. EM_WAIT[3] pin is used. EM_WAIT[4] pin is used. EM_WAIT[5] pin is used.

Table 34. Asynchronous Wait Cycle Configuration Register (AWCCR) Field Descriptions (continued)

Bit	Field	Value	Description
17-16	CS2_WAIT	0-3h 0 1h 2h 3h	EM_WAIT[5:2] pin map for chip select 2. By default, the EM_WAIT[2] pin is used for chip select 2. EM_WAIT[2] pin is used. EM_WAIT[3] pin is used. EM_WAIT[4] pin is used. EM_WAIT[5] pin is used.
15-8	Reserved	0	Reserved
7-0	MEWC	0-FFh	Maximum extended wait cycles. The EMIF will wait for a maximum of $(MEWC + 1) \times 16$ clock cycles before it stops inserting asynchronous wait cycles and proceeds to the hold period of the access.

4.3 Asynchronous n Configuration Registers (A1CR-A4CR)

The asynchronous configuration register (ACFG n) is used to configure the shaping of the address and control signals during an access to asynchronous memory. It is also used to program the width of asynchronous interface and to select from various modes of operation. This register can be written prior to any transfer, and any asynchronous transfer following the write will use the new configuration. The ACFG n is shown in Figure 22 and described in Table 35. There are four ACFG n s. Each chip select space has a dedicated ACFG n . This allows each chip select space to be programmed independently to interface to different asynchronous memory types.

Figure 22. Asynchronous n Configuration Register (ACFG n)

31	30	29	26	25	24
SS	EW ^(A)	W_SETUP		W_STROBE ^(B)	
R/W-0	R/W-0	R/W-Fh		R/W-3Fh	
23	20		19	17	16
W_STROBE ^(B)			W_HOLD		R_SETUP
R/W-3Fh			R/W-7h		R/W-Fh
15	13	12	7	6	4
R_SETUP		R_STROBE ^(B)		R_HOLD	TA
R/W-Fh		R/W-3Fh		R/W-7h	R/W-3h
ASIZE		R/W-0			

LEGEND: R/W = Read/Write; - n = value after reset

A. The EW bit must be cleared to 0 when operating in NAND Flash mode.

B. The W_STROBE and R_STROBE bits must not be cleared to 0 when operating in Extended Wait mode.

Table 35. Asynchronous n Configuration Register (ACFG n) Field Descriptions

Bit	Field	Value	Description
31	SS	0 1	Select Strobe bit. This bit defines whether the asynchronous interface operates in Normal mode or Select Strobe mode. See Section 2.5 for details on the two modes of operation. Normal mode is enabled. Select Strobe mode is enabled.
30	EW	0 1	Extend Wait enable bit. This bit enables extended wait cycles. See Section 2.5.8 on extended wait cycles for details. This bit must be cleared to 0, if the EMIF on your device does not have a EM_WAIT pin. Extended wait cycles are disabled. Extended wait cycles are enabled.
29-26	W_SETUP	0-Fh	Write setup width in EMIF clock cycles, minus 1 cycle. See Section 2.5.3 for details.
25-20	W_STROBE	0-3Fh	Write strobe width in EMIF clock cycles, minus 1 cycle. See Section 2.5.3 for details.
19-17	W_HOLD	0-7h	Write hold width in EMIF clock cycles, minus 1 cycle. See Section 2.5.3 for details.
16-13	R_SETUP	0-Fh	Read setup width in EMIF clock cycles, minus 1 cycle. See Section 2.5.3 for details.
12-7	R_STROBE	0-3Fh	Read strobe width in EMIF clock cycles, minus 1 cycle. See Section 2.5.3 for details.
6-4	R_HOLD	0-7h	Read hold width in EMIF clock cycles, minus 1 cycle. See Section 2.5.3 for details.
3-2	TA	0-3h	Minimum Turn-Around time. This field defines the minimum number of EMIF clock cycles between the end of one asynchronous access and the start of another, minus 1 cycle. This delay is not incurred by a read followed by a read or a write followed by a write to the same CS space. See Section 2.5.3 for details.
1-0	ASIZE	0-3h 0 1h 2h-3h	Asynchronous data bus width. This bit defines the width of the asynchronous device's data bus. 8-bit data bus 16-bit data bus Reserved

4.4 EMIF Interrupt Raw Register (EIRR)

The EMIF interrupt raw register (EIRR) is used to monitor and clear the EMIF's hardware-generated interrupts. The bits in EIRR are set when an interrupt condition occurs, regardless of the status of the EMIF interrupt mask set register (EIMSR) and EMIF interrupt mask clear register (EIMCR). Writing a 1 to a bit clears the bit and the corresponding bit in the EMIF interrupt mask register (EIMR). The EIRR is shown in Figure 23 and described in Table 36.

Figure 23. EMIF Interrupt Raw Register (EIRR)

	Reserved						
	R-0						
	Reserved						
	R-0						
	Reserved	WR3	WR2	WR1	WR0	Reserved	AT
	R-0	R/W1C-0	R/W1C-0	R/W1C-0	R/W1C-0	R-0	R/W1C-0

LEGEND: R/W = Read/Write; R = Read only; W1C = Write 1 to clear (writing 0 has no effect); -n = value after reset

Table 36. EMIF Interrupt Raw Register (EIRR) Field Descriptions

Bit	Field	Value	Description
31-6	Reserved	0	Reserved. The reserved bit location is always read as 0. If writing to this field, always write the default value of 0.
5	WR3	0	Indicates that a rising edge has not occurred on the EM_WAIT[5] pin. Writing a 0 has no effect.
		1	Indicates that a rising edge has occurred on the EM_WAIT[5] pin. Writing a 1 will clear this bit and the WRM3 bit in the EMIF interrupt mask register (EIMR).
			Wait Rise. This bit is set to 1 by hardware to indicate that a rising edge on the EM_WAIT[5] pin has occurred.
4	WR2	0	Indicates that a rising edge has not occurred on the EM_WAIT[4] pin. Writing a 0 has no effect.
		1	Indicates that a rising edge has occurred on the EM_WAIT[4] pin. Writing a 1 will clear this bit and the WRM2 bit in the EMIF interrupt mask register (EIMR).
			Wait Rise. This bit is set to 1 by hardware to indicate that a rising edge on the EM_WAIT[4] pin has occurred.
3	WR1	0	Indicates that a rising edge has not occurred on the EM_WAIT[3] pin. Writing a 0 has no effect.
		1	Indicates that a rising edge has occurred on the EM_WAIT[3] pin. Writing a 1 will clear this bit and the WRM1 bit in the EMIF interrupt mask register (EIMR).
			Wait Rise. This bit is set to 1 by hardware to indicate that a rising edge on the EM_WAIT[3] pin has occurred.
2	WR0	0	Indicates that a rising edge has not occurred on the EM_WAIT[0] pin. Writing a 0 has no effect.
		1	Indicates that a rising edge has occurred on the EM_WAIT[0] pin. Writing a 1 will clear this bit and the WRM0 bit in the EMIF interrupt mask register (EIMR).
			Wait Rise. This bit is set to 1 by hardware to indicate that a rising edge on the EM_WAIT[0] pin has occurred.
1	Reserved	0	Reserved. The reserved bit location is always read as 0. If writing to this field, always write the default value of 0.
0	AT	0	Indicates that an asynchronous timeout has not occurred. Writing a 0 has no effect.
		1	Indicates that an asynchronous timeout has occurred. Writing a 1 will clear this bit and the ATM bit in the EMIF interrupt mask register (EIMR).
			Asynchronous Timeout. This bit is set to 1 by hardware to indicate that during an extended asynchronous memory access cycle the EM_WAIT[n] pin did not go inactive within the number of cycles defined by the MEWC field in the asynchronous wait cycle configuration register (AWCCR).

4.5 EMIF Interrupt Mask Register (EIMR)

Similar to the EMIF interrupt raw register (EIRR), the EMIF interrupt mask register (EIMR) is used to monitor and clear the status of the EMIF's hardware-generated interrupts. The main difference between the two registers is that when the bits in EIMR are set, an active-high pulse is sent to the CPU interrupt controller. Also, the bits in EIMR are only set to 1, if the associated interrupt has been enabled in the EMIF interrupt mask set register (EIMSR). The EIMR is shown in Figure 24 and described in Table 37.

Figure 24. EMIF Interrupt Mask Register (EIMR)

31	Reserved							16
R-0								
15	Reserved						8	
R-0								
7	6	5	4	3	2	1	0	
Reserved		WRM3	WRM2	WRM1	WRM0	Reserved	ATM	
R-0		R/W1C-0	R/W1C-0	R/W1C-0	R/W1C-0	R-0	R/W1C-0	

LEGEND: R/W = Read/Write; R = Read only; W1C = Write 1 to clear (writing 0 has no effect); -n = value after reset

Table 37. EMIF Interrupt Mask Register (EIMR) Field Descriptions

Bit	Field	Value	Description
31-6	Reserved	0	Reserved. The reserved bit location is always read as 0. If writing to this field, always write the default value of 0.
5	WRM3	0 1	Wait Rise Masked. This bit is set to 1 by hardware to indicate a rising edge has occurred on the EM_WAIT[5] pin, provided that the WRMSET3 bit is set to 1 in the EMIF interrupt mask set register (EIMSR). 0 Indicates that a wait rise interrupt has not been generated. Writing a 0 has no effect. 1 Indicates that a wait rise interrupt has been generated. Writing a 1 will clear this bit and the WRM3 bit in the EMIF interrupt raw register (EIRR).
4	WRM2	0 1	Wait Rise Masked. This bit is set to 1 by hardware to indicate a rising edge has occurred on the EM_WAIT[4] pin, provided that the WRMSET2 bit is set to 1 in the EMIF interrupt mask set register (EIMSR). 0 Indicates that a wait rise interrupt has not been generated. Writing a 0 has no effect. 1 Indicates that a wait rise interrupt has been generated. Writing a 1 will clear this bit and the WRM2 bit in the EMIF interrupt raw register (EIRR).
3	WRM1	0 1	Wait Rise Masked. This bit is set to 1 by hardware to indicate a rising edge has occurred on the EM_WAIT[3] pin, provided that the WRMSET1 bit is set to 1 in the EMIF interrupt mask set register (EIMSR). 0 Indicates that a wait rise interrupt has not been generated. Writing a 0 has no effect. 1 Indicates that a wait rise interrupt has been generated. Writing a 1 will clear this bit and the WRM1 bit in the EMIF interrupt raw register (EIRR).
2	WRM0	0 1	Wait Rise Masked. This bit is set to 1 by hardware to indicate a rising edge has occurred on the EM_WAIT[2] pin, provided that the WRMSET0 bit is set to 1 in the EMIF interrupt mask set register (EIMSR). 0 Indicates that a wait rise interrupt has not been generated. Writing a 0 has no effect. 1 Indicates that a wait rise interrupt has been generated. Writing a 1 will clear this bit and the WRM0 bit in the EMIF interrupt raw register (EIRR).
1	Reserved	0	Reserved. The reserved bit location is always read as 0. If writing to this field, always write the default value of 0.

Table 37. EMIF Interrupt Mask Register (EIMR) Field Descriptions (continued)

Bit	Field	Value	Description
0	ATM		Asynchronous Timeout Masked. This bit is set to 1 by hardware to indicate that during an extended asynchronous memory access cycle the EM_WAIT n pin did not go inactive within the number of cycles defined by the MEWC field in the asynchronous wait cycle configuration register (AWCCR), provided that the ATMSET bit is set to 1 in the EMIF interrupt mask set register (EIMSR).
		0	Indicates that an asynchronous timeout interrupt has not been generated. Writing a 0 has no effect.
		1	Indicates that an asynchronous timeout interrupt has been generated. Writing a 1 will clear this bit and the AT bit in the EMIF interrupt raw register (EIRR).

4.6 EMIF Interrupt Mask Set Register (EIMSR)

The EMIF interrupt mask set register (EIMSR) is used to enable the interrupts. If a bit is set to 1, the corresponding bit in the EMIF interrupt mask register (EIMR) is set and an interrupt is generated when the associated interrupt condition occurs. If a bit is cleared to 0, the the corresponding bit in EIMR will always read 0 and no interrupts are generated when the associated interrupt condition occurs. Writing a 1 to the WRMSET n and ATMSET bits enables each respective interrupt. The EIMSR is shown in [Figure 25](#) and described in [Table 38](#).

Figure 25. EMIF Interrupt Mask Set Register (EIMSR)

31	Reserved						16
R-0							
15	Reserved						8
R-0							
7	6	5	4	3	2	1	0
Reserved	WRMSET3	WRMSET2	WRMSET1	WRMSET0	Reserved	ATMSET	
R-0	R/W1S-0	R/W1S-0	R/W1S-0	R/W1S-0	R-0	R/W1S-0	

LEGEND: R/W = Read/Write; R = Read only; W1S = Write 1 to set (writing 0 has no effect); - n = value after reset

Table 38. EMIF Interrupt Mask Set Register (EIMSR) Field Descriptions

Bit	Field	Value	Description
31-6	Reserved	0	Reserved. The reserved bit location is always read as 0. If writing to this field, always write the default value of 0.
5	WRMSET3	0 1	Wait Rise Mask Set. This bit enables the wait rise interrupt. Writing a 1 to this bit sets this bit and the WRMCLR3 bit in the EMIF interrupt mask clear register (EIMCR), and enables the wait rise interrupt. To clear this bit, a 1 must be written to the WRMCLR3 bit in EIMCR. 0 Indicates that the wait rise interrupt is disabled. Writing a 0 has no effect. 1 Indicates that the wait rise interrupt is enabled. Writing a 1 sets this bit and the WRMCLR3 bit in EIMCR.
4	WRMSET2	0 1	Wait Rise Mask Set. This bit enables the wait rise interrupt. Writing a 1 to this bit sets this bit and the WRMCLR2 bit in the EMIF interrupt mask clear register (EIMCR), and enables the wait rise interrupt. To clear this bit, a 1 must be written to the WRMCLR2 bit in EIMCR. 0 Indicates that the wait rise interrupt is disabled. Writing a 0 has no effect. 1 Indicates that the wait rise interrupt is enabled. Writing a 1 sets this bit and the WRMCLR2 bit in EIMCR.
3	WRMSET1	0 1	Wait Rise Mask Set. This bit enables the wait rise interrupt. Writing a 1 to this bit sets this bit and the WRMCLR1 bit in the EMIF interrupt mask clear register (EIMCR), and enables the wait rise interrupt. To clear this bit, a 1 must be written to the WRMCLR1 bit in EIMCR. 0 Indicates that the wait rise interrupt is disabled. Writing a 0 has no effect. 1 Indicates that the wait rise interrupt is enabled. Writing a 1 sets this bit and the WRMCLR1 bit in EIMCR.
2	WRMSET0	0 1	Wait Rise Mask Set. This bit enables the wait rise interrupt. Writing a 1 to this bit sets this bit and the WRMCLR0 bit in the EMIF interrupt mask clear register (EIMCR), and enables the wait rise interrupt. To clear this bit, a 1 must be written to the WRMCLR0 bit in EIMCR. 0 Indicates that the wait rise interrupt is disabled. Writing a 0 has no effect. 1 Indicates that the wait rise interrupt is enabled. Writing a 1 sets this bit and the WRMCLR0 bit in EIMCR.
1	Reserved	0	Reserved. The reserved bit location is always read as 0. If writing to this field, always write the default value of 0.

Table 38. EMIF Interrupt Mask Set Register (EIMSR) Field Descriptions (continued)

Bit	Field	Value	Description
0	ATMSET		Asynchronous Timeout Mask Set. This bit enables the asynchronous timeout interrupt. Writing a 1 to this bit sets this bit and the ATMCLR bit in the EMIF interrupt mask clear register (EIMCR), and enables the asynchronous timeout interrupt. To clear this bit, a 1 must be written to the ATMCLR bit in EIMCR.
		0	Indicates that the asynchronous timeout interrupt is disabled. Writing a 0 has no effect.
		1	Indicates that the asynchronous timeout interrupt is enabled. Writing a 1 sets this bit and the ATMCLR bit in EIMCR.

4.7 EMIF Interrupt Mask Clear Register (EIMCR)

The EMIF interrupt mask clear register (EIMCR) is used to disable the interrupts. If a bit is read as 1, the corresponding bit in the EMIF interrupt mask register (EIMR) is set and an interrupt is generated when the associated interrupt condition occurs. If a bit is read as 0, the corresponding bit in EIMR will always read 0 and no interrupts are generated when the corresponding interrupt condition occurs. Writing a 1 to the WRMCLR n and ATMCLR bits disables each respective interrupt. The EIMCR is shown in Figure 26 and described in Table 39.

Figure 26. EMIF Interrupt Mask Clear Register (EIMCR)

	Reserved						
	R-0						
	Reserved						
	R-0						
	Reserved	WRMCLR3	WRMCLR2	WRMCLR1	WRMCLR0	Reserved	ATMCLR
	R-0	R/W1C-0	R/W1C-0	R/W1C-0	R/W1C-0	R-0	R/W1C-0

LEGEND: R/W = Read/Write; R = Read only; W1C = Write 1 to clear (writing 0 has no effect); - n = value after reset

Table 39. EMIF Interrupt Mask Clear Register (EIMCR) Field Descriptions

Bit	Field	Value	Description
31-6	Reserved	0	Reserved. The reserved bit location is always read as 0. If writing to this field, always write the default value of 0.
5	WRMCLR3	0 1	Wait Rise Mask Clear. This bit determines whether or not the wait rise interrupt is enabled. Writing a 1 to this bit clears this bit and the WRMSET3 bit in the EMIF interrupt mask set register (EIMSR), and disables the wait rise interrupt. To set this bit, a 1 must be written to the WRMSET3 bit in EIMSR. 0 Indicates that the wait rise interrupt is disabled. Writing a 0 has no effect. 1 Indicates that the wait rise interrupt is enabled. Writing a 1 clears this bit and the WRMSET3 bit in EIMSR.
4	WRMCLR2	0 1	Wait Rise Mask Clear. This bit determines whether or not the wait rise interrupt is enabled. Writing a 1 to this bit clears this bit and the WRMSET2 bit in the EMIF interrupt mask set register (EIMSR), and disables the wait rise interrupt. To set this bit, a 1 must be written to the WRMSET2 bit in EIMSR. 0 Indicates that the wait rise interrupt is disabled. Writing a 0 has no effect. 1 Indicates that the wait rise interrupt is enabled. Writing a 1 clears this bit and the WRMSET2 bit in EIMSR.
3	WRMCLR1	0 1	Wait Rise Mask Clear. This bit determines whether or not the wait rise interrupt is enabled. Writing a 1 to this bit clears this bit and the WRMSET1 bit in the EMIF interrupt mask set register (EIMSR), and disables the wait rise interrupt. To set this bit, a 1 must be written to the WRMSET1 bit in EIMSR. 0 Indicates that the wait rise interrupt is disabled. Writing a 0 has no effect. 1 Indicates that the wait rise interrupt is enabled. Writing a 1 clears this bit and the WRMSET1 bit in EIMSR.
2	WRMCLR0	0 1	Wait Rise Mask Clear. This bit determines whether or not the wait rise interrupt is enabled. Writing a 1 to this bit clears this bit and the WRMSET0 bit in the EMIF interrupt mask set register (EIMSR), and disables the wait rise interrupt. To set this bit, a 1 must be written to the WRMSET0 bit in EIMSR. 0 Indicates that the wait rise interrupt is disabled. Writing a 0 has no effect. 1 Indicates that the wait rise interrupt is enabled. Writing a 1 clears this bit and the WRMSET0 bit in EIMSR.
1	Reserved	0	Reserved. The reserved bit location is always read as 0. If writing to this field, always write the default value of 0.

Table 39. EMIF Interrupt Mask Clear Register (EIMCR) Field Descriptions (continued)

Bit	Field	Value	Description
0	ATMCLR		Asynchronous Timeout Mask Clear. This bit determines whether or not the asynchronous timeout interrupt is enabled. Writing a 1 to this bit clears this bit and the ATMSET bit in the EMIF interrupt mask set register (EIMSR), and disables the asynchronous timeout interrupt. To set this bit, a 1 must be written to the ATMSET bit in EIMSR.
		0	Indicates that the asynchronous timeout interrupt is disabled. Writing a 0 has no effect.
		1	Indicates that the asynchronous timeout interrupt is enabled. Writing a 1 clears this bit and the ATMSET bit in EIMSR.

4.8 NAND Flash Control Register (NANDFCR)

The NAND Flash control register (NANDFCR) is shown in [Figure 27](#) and described in [Table 40](#).

Figure 27. NAND Flash Control Register (NANDFCR)

31	Reserved					16
R-0						
15	12	11	10	9	8	
Reserved		CS5ECC	CS4ECC	CS3ECC	CS2ECC	
R-0		R/W-0	R/W-0	R/W-0	R/W-0	
7	4	3	2	1	0	
Reserved		CS5NAND	CS4NAND	CS3NAND	CS2NAND	
R-0		R/W-0	R/W-0	R/W-0	R/W-0	

LEGEND: R/W = Read/Write; R = Read only; -n = value after reset

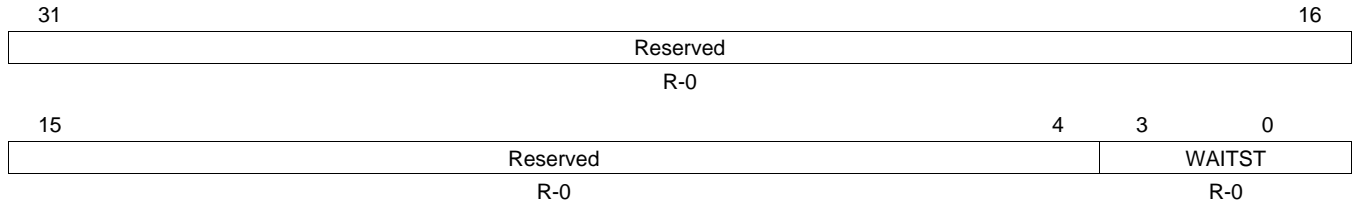
Table 40. NAND Flash Control Register (NANDFCR) Field Descriptions

Bit	Field	Value	Description
31-12	Reserved	0	Reserved
11	CS5ECC	0	NAND Flash ECC start for chip select 5. Do not start ECC calculation.
		1	Start ECC calculation on data for NAND Flash on <u>EM_CS5</u> .
10	CS4ECC	0	NAND Flash ECC start for chip select 4. Do not start ECC calculation.
		1	Start ECC calculation on data for NAND Flash on <u>EM_CS4</u> .
9	CS3ECC	0	NAND Flash ECC start for chip select 3. Do not start ECC calculation.
		1	Start ECC calculation on data for NAND Flash on <u>EM_CS3</u> .
8	CS2ECC	0	NAND Flash ECC start for chip select 2. Do not start ECC calculation.
		1	Start ECC calculation on data for NAND Flash on <u>EM_CS2</u> .
7-4	Reserved	0	Reserved
3	CS5NAND	0	NAND Flash mode for chip select 5. Not using NAND Flash.
		1	Using NAND Flash on <u>EM_CS5</u> .
2	CS4NAND	0	NAND Flash mode for chip select 4. Not using NAND Flash.
		1	Using NAND Flash on <u>EM_CS4</u> .
1	CS3NAND	0	NAND Flash mode for chip select 3. Not using NAND Flash.
		1	Using NAND Flash on <u>EM_CS3</u> .
0	CS2NAND	0	NAND Flash mode for chip select 2. Not using NAND Flash.
		1	Using NAND Flash on <u>EM_CS2</u> .

4.9 NAND Flash Status Register (NANDFSR)

The NAND Flash status register (NANDFSR) is shown in [Figure 28](#) and described in [Table 41](#).

Figure 28. NAND Flash Status Register (NANDFSR)



LEGEND: R = Read only; -n = value after reset

Table 41. NAND Flash Status Register (NANDFSR) Field Descriptions

Bit	Field	Value	Description
31-4	Reserved	0	Reserved
3-0	WAITST	0-Fh	Raw status of the EM_WAITn input pin. The WPn bit in the asynchronous wait cycle configuration register (AWCCR) has no effect on WAITST.

4.10 NAND Flash n ECC Registers (NANDF1ECC-NANDF4ECC)

The NAND Flash *n* ECC register (NANDECCn) is shown in [Figure 29](#) and described in [Table 42](#). For 8-bit NAND Flash, P1O, P2O, and P4O bits are column parities; P8O to P2048O bits are row parities. For 16-bit NAND Flash, P1O, P2O, P4O, and P8O bits are column parities; P16O to P2048O bits are row parities.

Figure 29. NAND Flash n ECC Register (NANDECC n)

31		28				27		26		25		24	
Reserved		Reserved				P2048O		P1024O		P512O		P256O	
R-0		R-0				R-0		R-0		R-0		R-0	
23		22		21		20		19		18		17	
P128O	P64O	P32O	P16O	P8O	P4O	P2O	P1O						
R-0	R-0	R-0	R-0	R-0	R-0	R-0	R-0						
15		12				11		10		9		8	
Reserved		Reserved				P2048E		P1024E		P512E		P256E	
R-0		R-0				R-0		R-0		R-0		R-0	
7		6		5		4		3		2		1	
P128E	P64E	P32E	P16E	P8E	P4E	P2E	P1E						
R-0	R-0	R-0	R-0	R-0	R-0	R-0	R-0						

LEGEND: R = Read only; - n = value after reset**Table 42. NAND Flash n ECC Register (NANDECC n) Field Descriptions**

Bit	Field	Value	Description
31-28	Reserved	0	Reserved
27	P2048O	0-1	ECC code calculated while reading/writing NAND Flash.
26	P1024O	0-1	ECC code calculated while reading/writing NAND Flash.
25	P512O	0-1	ECC code calculated while reading/writing NAND Flash.
24	P256O	0-1	ECC code calculated while reading/writing NAND Flash.
23	P128O	0-1	ECC code calculated while reading/writing NAND Flash.
22	P64O	0-1	ECC code calculated while reading/writing NAND Flash.
21	P32O	0-1	ECC code calculated while reading/writing NAND Flash.
20	P16O	0-1	ECC code calculated while reading/writing NAND Flash.
19	P8O	0-1	ECC code calculated while reading/writing NAND Flash.
18	P4O	0-1	ECC code calculated while reading/writing NAND Flash.
17	P2O	0-1	ECC code calculated while reading/writing NAND Flash.
16	P1O	0-1	ECC code calculated while reading/writing NAND Flash.
15-12	Reserved	0	Reserved
11	P2048E	0-1	ECC code calculated while reading/writing NAND Flash.
10	P1024E	0-1	ECC code calculated while reading/writing NAND Flash.
9	P512E	0-1	ECC code calculated while reading/writing NAND Flash.
8	P256E	0-1	ECC code calculated while reading/writing NAND Flash.
7	P128E	0-1	ECC code calculated while reading/writing NAND Flash.
6	P64E	0-1	ECC code calculated while reading/writing NAND Flash.
5	P32E	0-1	ECC code calculated while reading/writing NAND Flash.
4	P16E	0-1	ECC code calculated while reading/writing NAND Flash.
3	P8E	0-1	ECC code calculated while reading/writing NAND Flash.
2	P4E	0-1	ECC code calculated while reading/writing NAND Flash.
1	P2E	0-1	ECC code calculated while reading/writing NAND Flash.
0	P1E	0-1	ECC code calculated while reading/writing NAND Flash.

Appendix A Revision History

[Table 43](#) lists the changes made since the previous version of this document.

Table 43. Document Revision History

Reference	Additions/Modifications/Deletions
Figure 1	Changed figure.
Table 1	Changed table.
Figure 2	Changed figure.
Section 2.5.6.2	Changed paragraph.
Figure 8	Changed figure.

IMPORTANT NOTICE

Texas Instruments Incorporated and its subsidiaries (TI) reserve the right to make corrections, modifications, enhancements, improvements, and other changes to its products and services at any time and to discontinue any product or service without notice. Customers should obtain the latest relevant information before placing orders and should verify that such information is current and complete. All products are sold subject to TI's terms and conditions of sale supplied at the time of order acknowledgment.

TI warrants performance of its hardware products to the specifications applicable at the time of sale in accordance with TI's standard warranty. Testing and other quality control techniques are used to the extent TI deems necessary to support this warranty. Except where mandated by government requirements, testing of all parameters of each product is not necessarily performed.

TI assumes no liability for applications assistance or customer product design. Customers are responsible for their products and applications using TI components. To minimize the risks associated with customer products and applications, customers should provide adequate design and operating safeguards.

TI does not warrant or represent that any license, either express or implied, is granted under any TI patent right, copyright, mask work right, or other TI intellectual property right relating to any combination, machine, or process in which TI products or services are used. Information published by TI regarding third-party products or services does not constitute a license from TI to use such products or services or a warranty or endorsement thereof. Use of such information may require a license from a third party under the patents or other intellectual property of the third party, or a license from TI under the patents or other intellectual property of TI.

Reproduction of TI information in TI data books or data sheets is permissible only if reproduction is without alteration and is accompanied by all associated warranties, conditions, limitations, and notices. Reproduction of this information with alteration is an unfair and deceptive business practice. TI is not responsible or liable for such altered documentation. Information of third parties may be subject to additional restrictions.

Resale of TI products or services with statements different from or beyond the parameters stated by TI for that product or service voids all express and any implied warranties for the associated TI product or service and is an unfair and deceptive business practice. TI is not responsible or liable for any such statements.

TI products are not authorized for use in safety-critical applications (such as life support) where a failure of the TI product would reasonably be expected to cause severe personal injury or death, unless officers of the parties have executed an agreement specifically governing such use. Buyers represent that they have all necessary expertise in the safety and regulatory ramifications of their applications, and acknowledge and agree that they are solely responsible for all legal, regulatory and safety-related requirements concerning their products and any use of TI products in such safety-critical applications, notwithstanding any applications-related information or support that may be provided by TI. Further, Buyers must fully indemnify TI and its representatives against any damages arising out of the use of TI products in such safety-critical applications.

TI products are neither designed nor intended for use in military/aerospace applications or environments unless the TI products are specifically designated by TI as military-grade or "enhanced plastic." Only products designated by TI as military-grade meet military specifications. Buyers acknowledge and agree that any such use of TI products which TI has not designated as military-grade is solely at the Buyer's risk, and that they are solely responsible for compliance with all legal and regulatory requirements in connection with such use.

TI products are neither designed nor intended for use in automotive applications or environments unless the specific TI products are designated by TI as compliant with ISO/TS 16949 requirements. Buyers acknowledge and agree that, if they use any non-designated products in automotive applications, TI will not be responsible for any failure to meet such requirements.

Following are URLs where you can obtain information on other Texas Instruments products and application solutions:

Products		Applications	
Amplifiers	amplifier.ti.com	Audio	www.ti.com/audio
Data Converters	dataconverter.ti.com	Automotive	www.ti.com/automotive
DLP® Products	www.dlp.com	Communications and Telecom	www.ti.com/communications
DSP	dsp.ti.com	Computers and Peripherals	www.ti.com/computers
Clocks and Timers	www.ti.com/clocks	Consumer Electronics	www.ti.com/consumer-apps
Interface	interface.ti.com	Energy	www.ti.com/energy
Logic	logic.ti.com	Industrial	www.ti.com/industrial
Power Mgmt	power.ti.com	Medical	www.ti.com/medical
Microcontrollers	microcontroller.ti.com	Security	www.ti.com/security
RFID	www.ti-rfid.com	Space, Avionics & Defense	www.ti.com/space-avionics-defense
RF/IF and ZigBee® Solutions	www.ti.com/lprf	Video and Imaging	www.ti.com/video
		Wireless	www.ti.com/wireless-apps

Mailing Address: Texas Instruments, Post Office Box 655303, Dallas, Texas 75265
Copyright © 2010, Texas Instruments Incorporated