

# Synchronous Buck Controller Solutions Support Wide VIN Performance and Flexibility



Timothy Hegarty

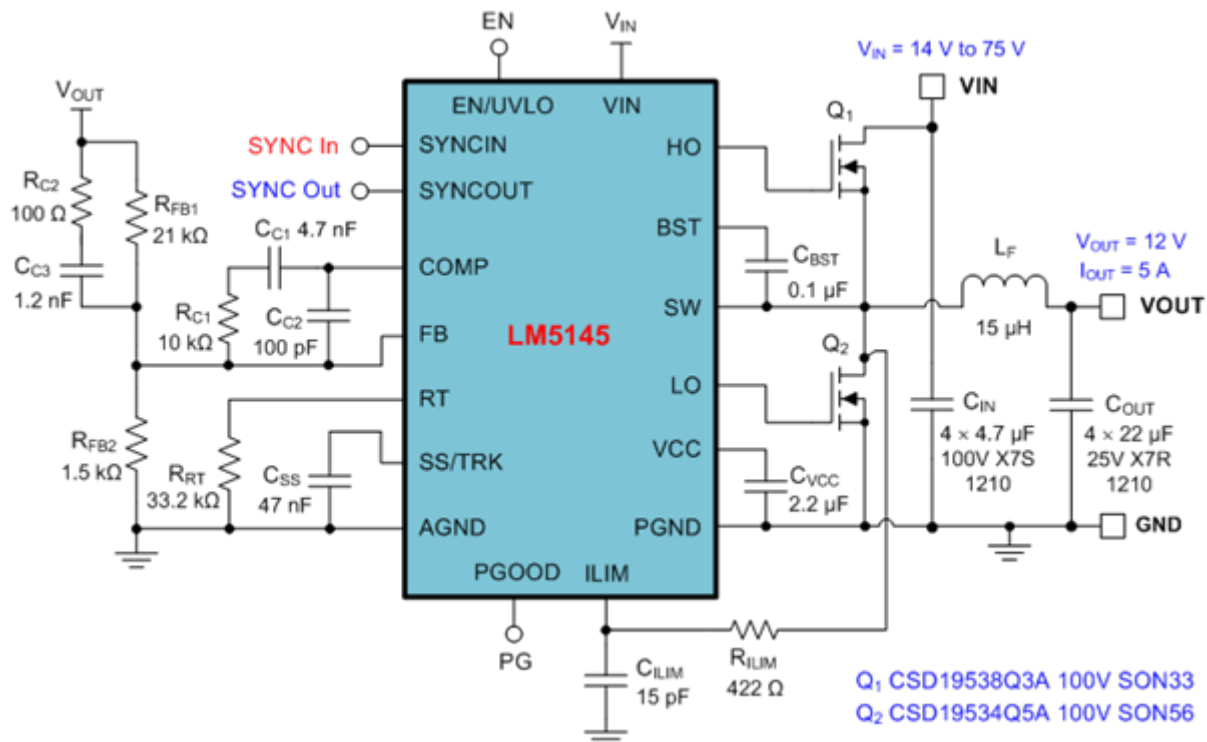
At the epicenter of most power converter implementations is the inevitable trade-off of **efficiency and power density**. However, new applications are coming to fruition that have unique power solution requirements. Many designers are choosing to capitalize on demonstrated and verified power solutions using buck controllers that combine performance and flexibility.

With industrial and communications applications in mind, two key performance attributes are:

- A wide input voltage ( $V_{IN}$ ) range for large step-down ratios, high reliability and low solution cost.
- Flexible, easy-to-use designs with design tool support for faster design-in and time to market.

## Wide $v_{IN}$ Range

A controller with a wide  $V_{IN}$  range and low minimum on-time (also known as  $T_{ON-min}$ ) facilitates large input-to-output voltage differentials and direct step-down conversion from a nominal 24-V, 28-V, 48-V or 60-V bus to a low-voltage output for reduced system complexity and low solution cost. As an example, take a look at the synchronous buck controller circuit shown in Figure 1.



**Figure 1. Schematic of a Wide  $v_{IN}$  Synchronous Buck-Controller Solution with a 12-V, 5-A Output at 300 kHz**

Designed to regulate from a high  $V_{IN}$  source or an input rail subject to high voltage transients, a wide  $V_{IN}$  controller minimizes the need for external surge suppression components to reduce both solution size and cost without sacrificing reliability. Such an outsized voltage rating delivers the higher operating margins and

transient immunity performance critical in applications that require an extended product life cycle, such as communications, industrial, medical and motor-drive systems.

Figure 2 shows the efficiency plot for the regulator in Figure 1. For this measurement, the LM5145's VCC is powered from V<sub>OUT</sub> to reduce bias power dissipation and increase light-load efficiency. Moreover, the integrated 7.5-V gate drivers reduce MOSFET dead time and body diode reverse-recovery losses to raise efficiency at heavy loads.

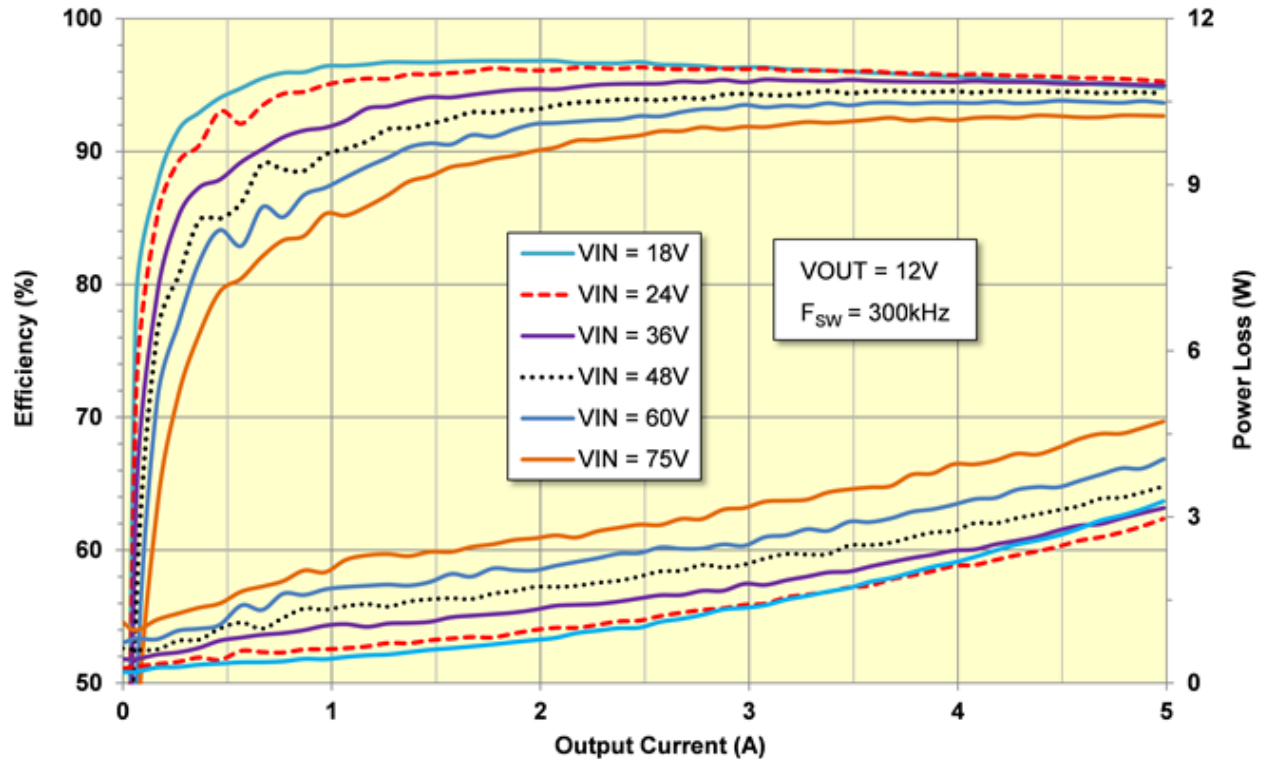


Figure 2. Synchronous Buck-Regulator Efficiency with Output-Derived Bias Power and Discontinuous Conduction Mode (DCM) Enabled at Light Loads

### Ease of Use

To bridge the divide between ease of use and high-performance power-conversion integrated circuits (ICs), TI offers a range of power design tools, including [WEBENCH®](#), PSPICE simulation models and the [TI Designs reference design library](#). And given the component interdependencies and trade-offs inherent to high-performance solutions, an IC-specific quick-start calculator is another convenient tool to expedite and streamline the design process. For example, the screen capture of the Excel-based controller design tool in [Figure 3](#) illustrates a step-by-step design flow for an LM25145 500-kHz buck-regulator solution with an output rated for 5 V and 20 A. The [LM25145 quick-start calculator](#) is available as a free download.

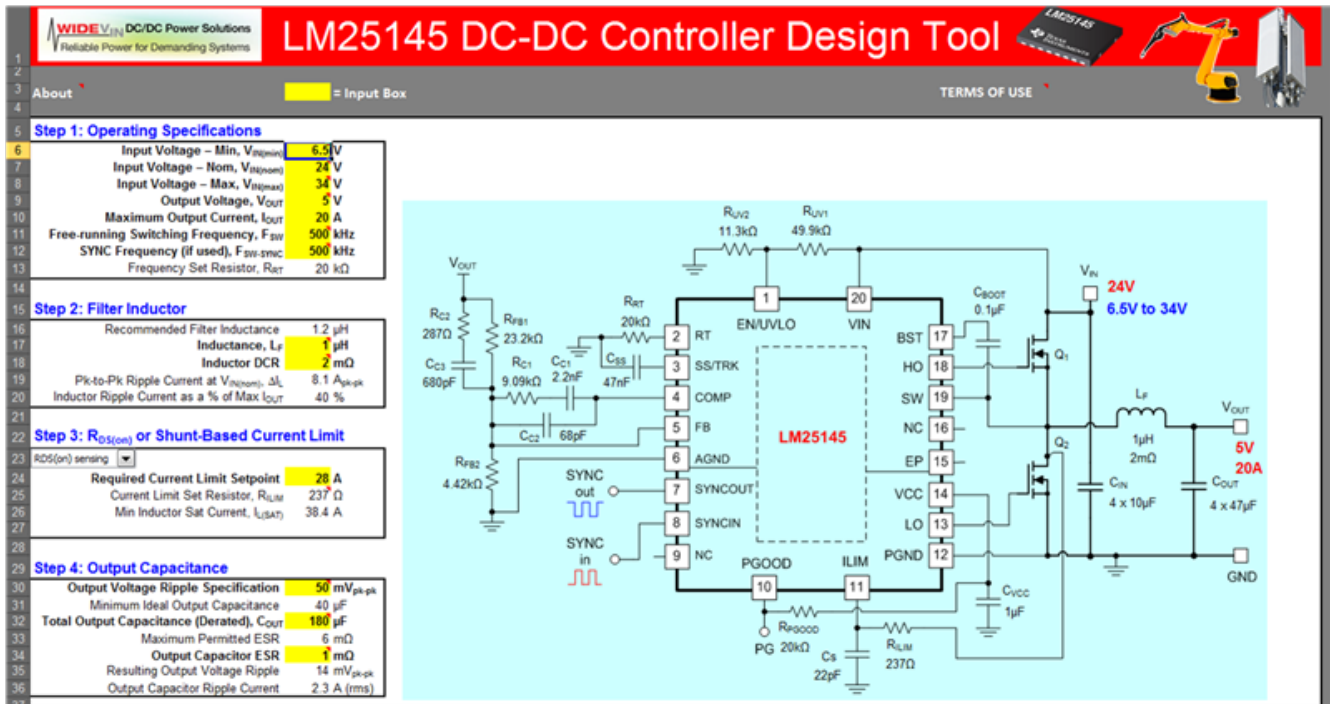


Figure 3. Buck-Controller Quick-Start Calculator – the Schematic is Auto-Populated Based on Entered and Calculated Component Values

Step 1 in Figure 3 enables the user to enter specifications for input voltage range, output voltage, full load current and switching frequency. Step 2 considers buck inductor selection, and Step 3 considers overcurrent protection. The subsequent design steps shown in Figure 4 assist with input and output capacitance, soft start, undervoltage lockout, and loop compensation component selection.

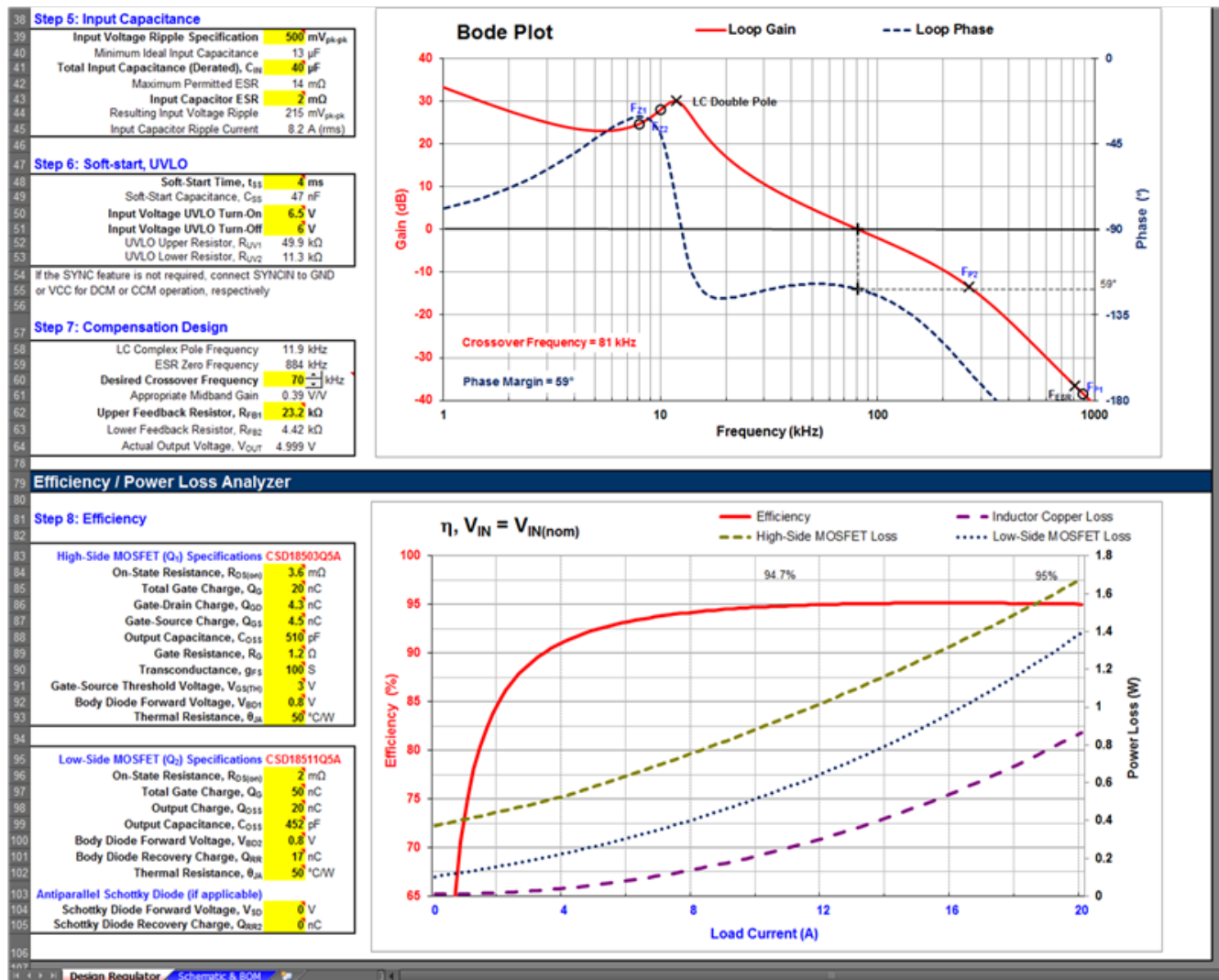


Figure 4. LM25145 Quick-Start Calculator with Bode Plot, Efficiency and Component Power Loss Analyses

With calculations based on the parameters entered for the power MOSFETs and passive components, Figure 4 also shows the predicted Bode plot and regulator efficiency sweep. Application example No. 1 from the LM25145 data sheet presents more details related to this particular design, including recommended power stage components, operating waveforms and printed circuit board (PCB) layout guidelines for high density and low electromagnetic interference (EMI).

## Summary

Amid a continual focus on high conversion efficiency and low overall bill-of-materials cost, a wide  $V_{IN}$  synchronous buck controller dovetails seamlessly into a variety of power stage circuits for industrial control and communications infrastructure applications. The footprint and feature-set compatibility of the LM5145 and LM25145 family, aided by a broad set of regulator design tools, entwine performance and flexibility in designs with output currents ranging from 5 A to 25 A.

## Additional Resources

- Download the [LM5145 quick-start calculator](#).
- Order the [evaluation module](#) for the LM5145 synchronous buck controller.
- Read the application note, [Reduce buck-converter EMI and voltage stress by minimizing inductive parasitics](#)
- Review these white papers:

- Valuing wide  $V_{IN}$ , low EMI synchronous buck circuits for cost-driven, demanding applications
- Wide  $V_{IN}$  power management ICs simplify design, reduce BOM cost and enhance reliability

## IMPORTANT NOTICE AND DISCLAIMER

TI PROVIDES TECHNICAL AND RELIABILITY DATA (INCLUDING DATA SHEETS), DESIGN RESOURCES (INCLUDING REFERENCE DESIGNS), APPLICATION OR OTHER DESIGN ADVICE, WEB TOOLS, SAFETY INFORMATION, AND OTHER RESOURCES "AS IS" AND WITH ALL FAULTS, AND DISCLAIMS ALL WARRANTIES, EXPRESS AND IMPLIED, INCLUDING WITHOUT LIMITATION ANY IMPLIED WARRANTIES OF MERCHANTABILITY, FITNESS FOR A PARTICULAR PURPOSE OR NON-INFRINGEMENT OF THIRD PARTY INTELLECTUAL PROPERTY RIGHTS.

These resources are intended for skilled developers designing with TI products. You are solely responsible for (1) selecting the appropriate TI products for your application, (2) designing, validating and testing your application, and (3) ensuring your application meets applicable standards, and any other safety, security, regulatory or other requirements.

These resources are subject to change without notice. TI grants you permission to use these resources only for development of an application that uses the TI products described in the resource. Other reproduction and display of these resources is prohibited. No license is granted to any other TI intellectual property right or to any third party intellectual property right. TI disclaims responsibility for, and you will fully indemnify TI and its representatives against, any claims, damages, costs, losses, and liabilities arising out of your use of these resources.

TI's products are provided subject to [TI's Terms of Sale](#) or other applicable terms available either on [ti.com](https://www.ti.com) or provided in conjunction with such TI products. TI's provision of these resources does not expand or otherwise alter TI's applicable warranties or warranty disclaimers for TI products.

TI objects to and rejects any additional or different terms you may have proposed.

Mailing Address: Texas Instruments, Post Office Box 655303, Dallas, Texas 75265  
Copyright © 2023, Texas Instruments Incorporated