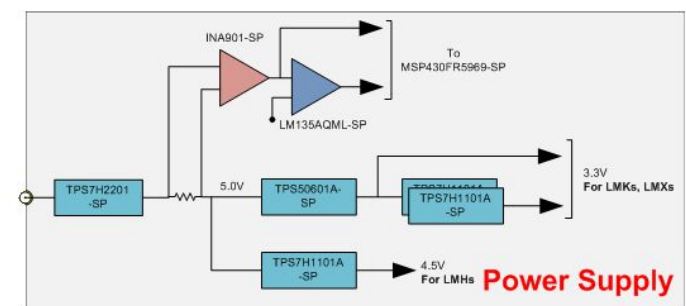
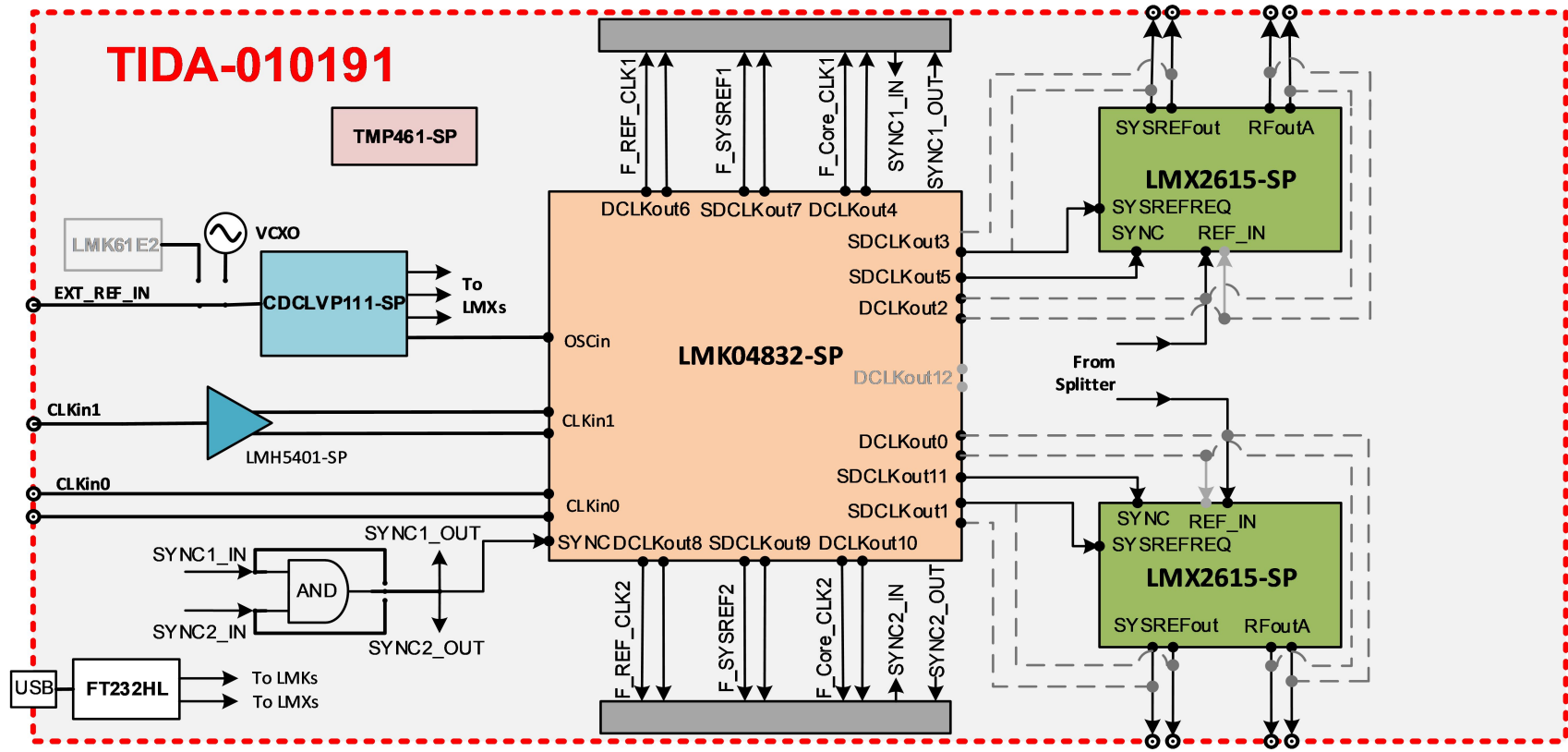


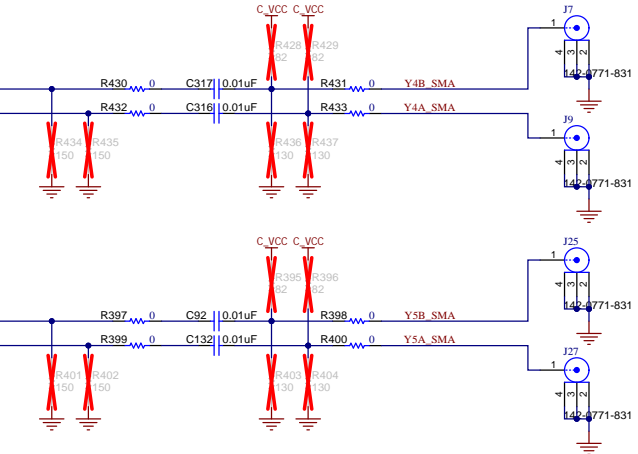
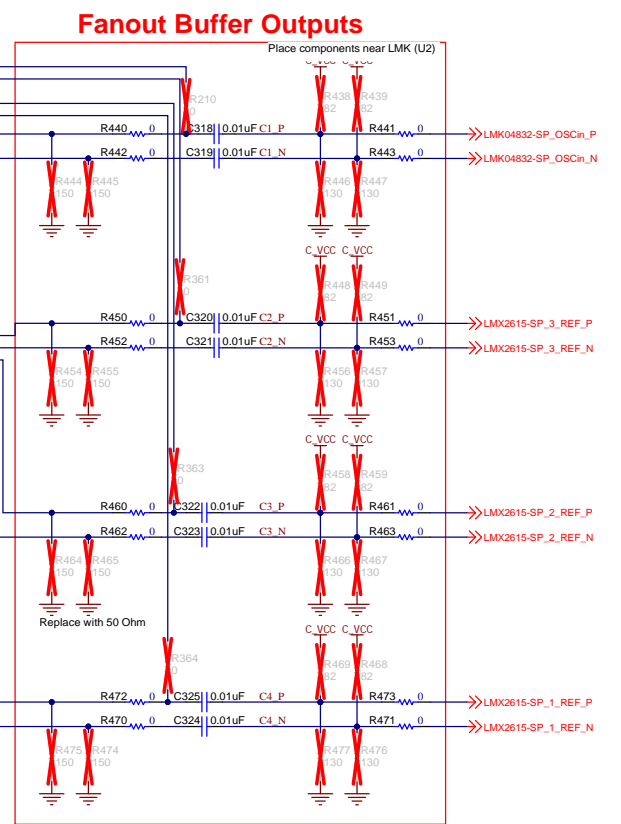
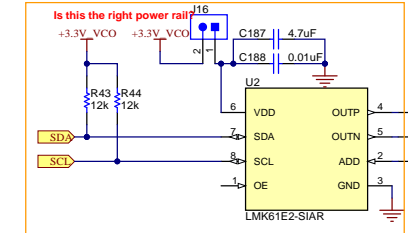
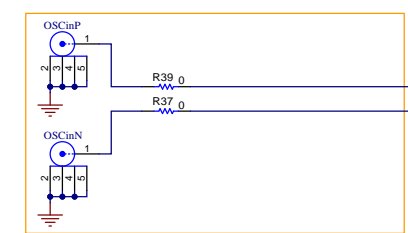
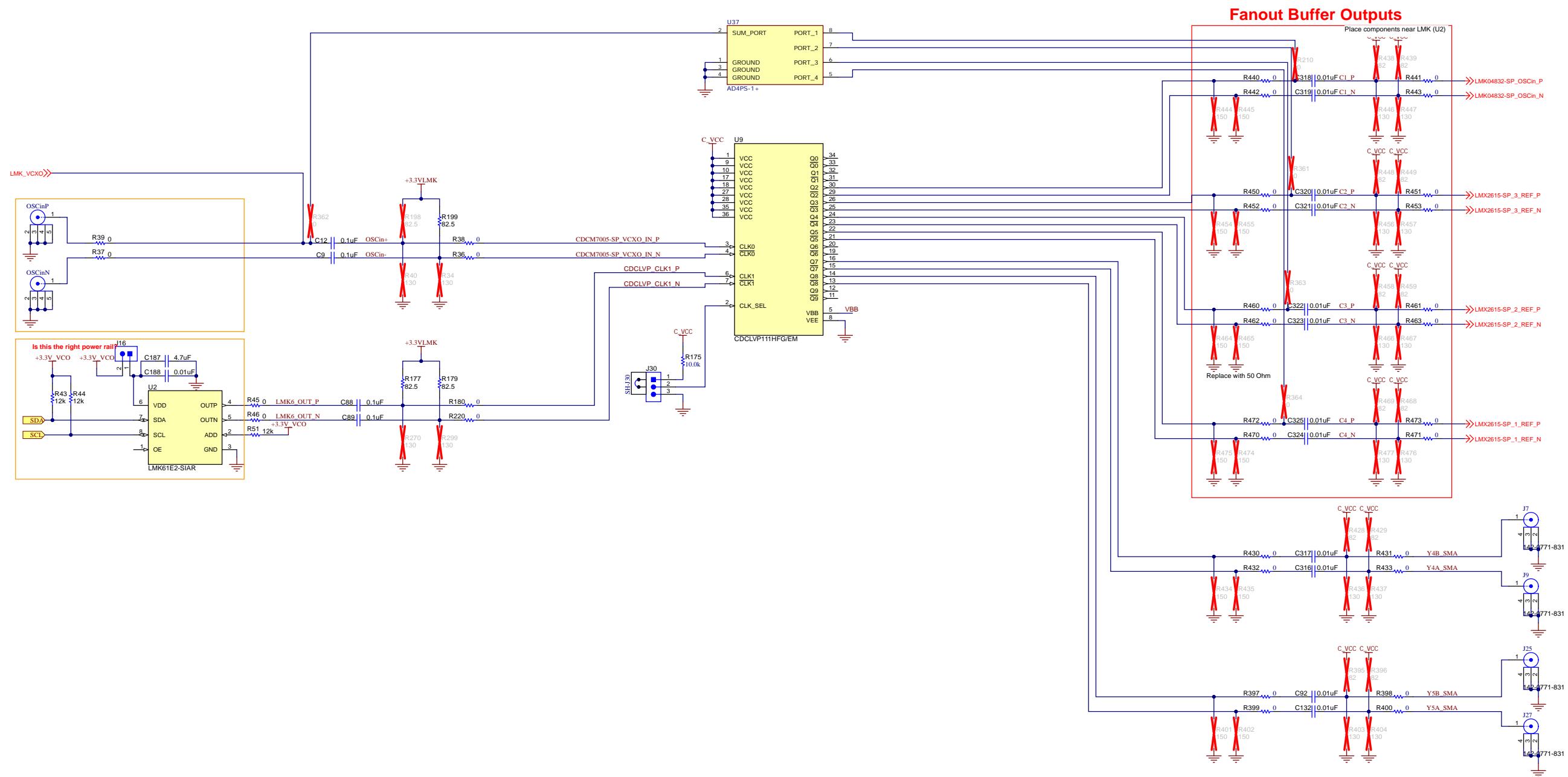
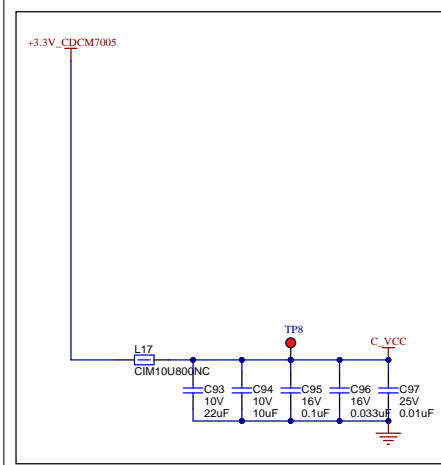
Revision History				
Rev	ECN #	Approved Date	Approved by	Notes
N/A	N/A	N/A	N/A	N/A

RF PLL Synthesizer	LMX2615-SP TI Datasheet	SMD-5962-17236
Jitter Cleaner / Buffer	LMK04832-SP TI Datasheet	SMD 5962-17237
Clock Buffer	CDCM7005-SP TI Datasheet	SMD-5962-07230
LVDS Receiver	SN55LVDS32-SP TI Datasheet	SMD-5962-97622
RF Fully-Diff Amplifier	LMH5401-SP TI Datasheet	SMD-5962-17214

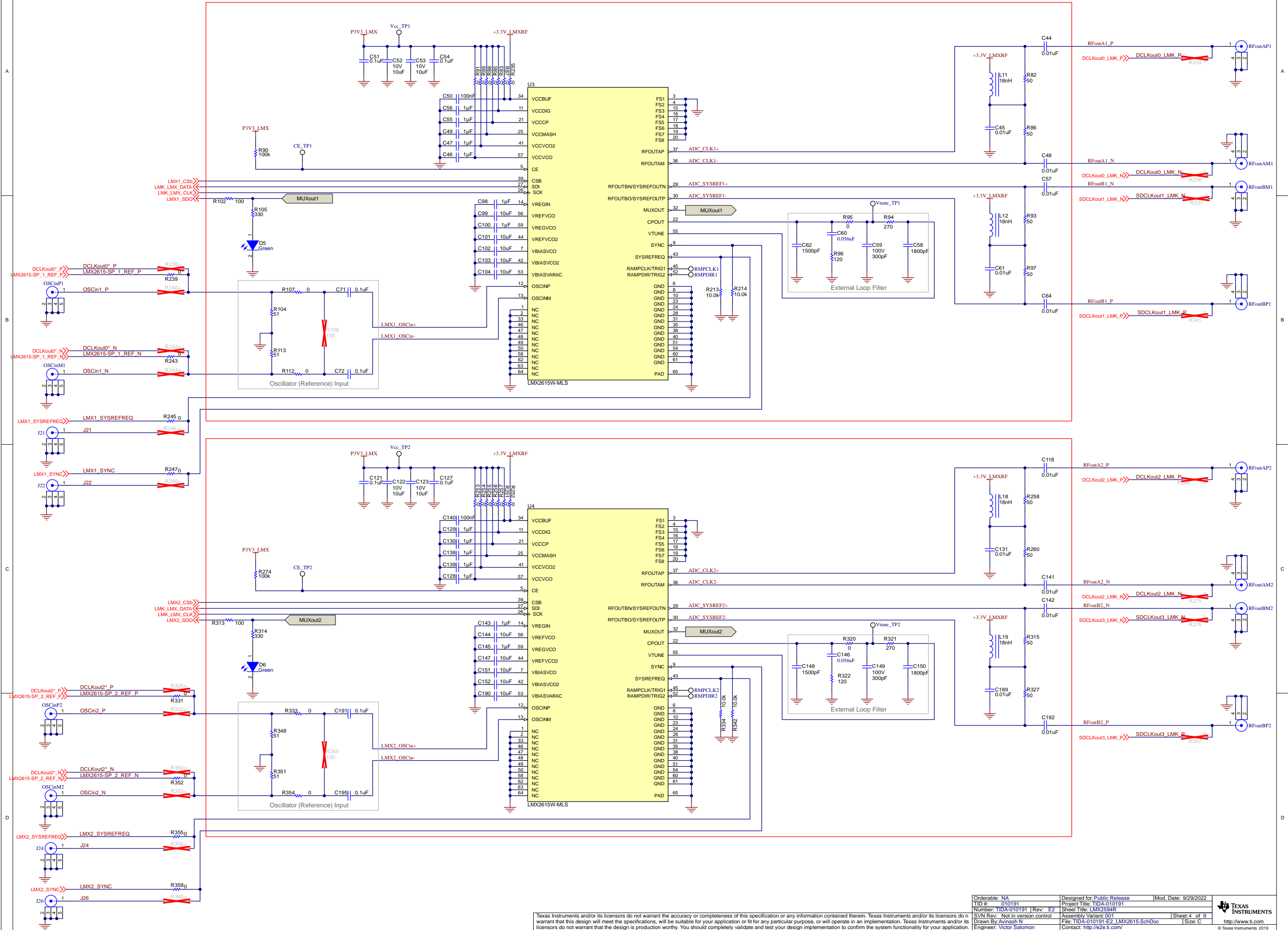


Step-Down Converter	TPS50601A-SP TI Datasheet	SMD 5962-10221
Quad-Comparator	LM139A-QML-SP TI Datasheet	SMD 5962-96738
3.0-A LDO	TPS7H1101A-SP TI Datasheet	SMD 5962-13202
Current Sense Amp	INA901-SP TI Datasheet	SMD 5962-18210
Wide VIN 1.5-A LDO	TPS7A4501-SP TI Datasheet	SMD 5962-12224

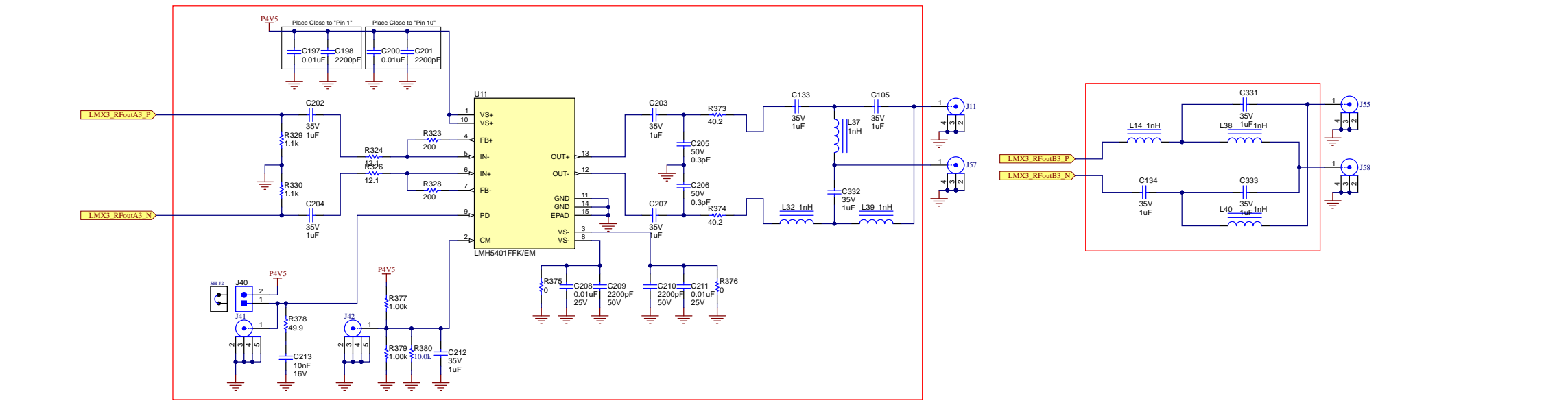
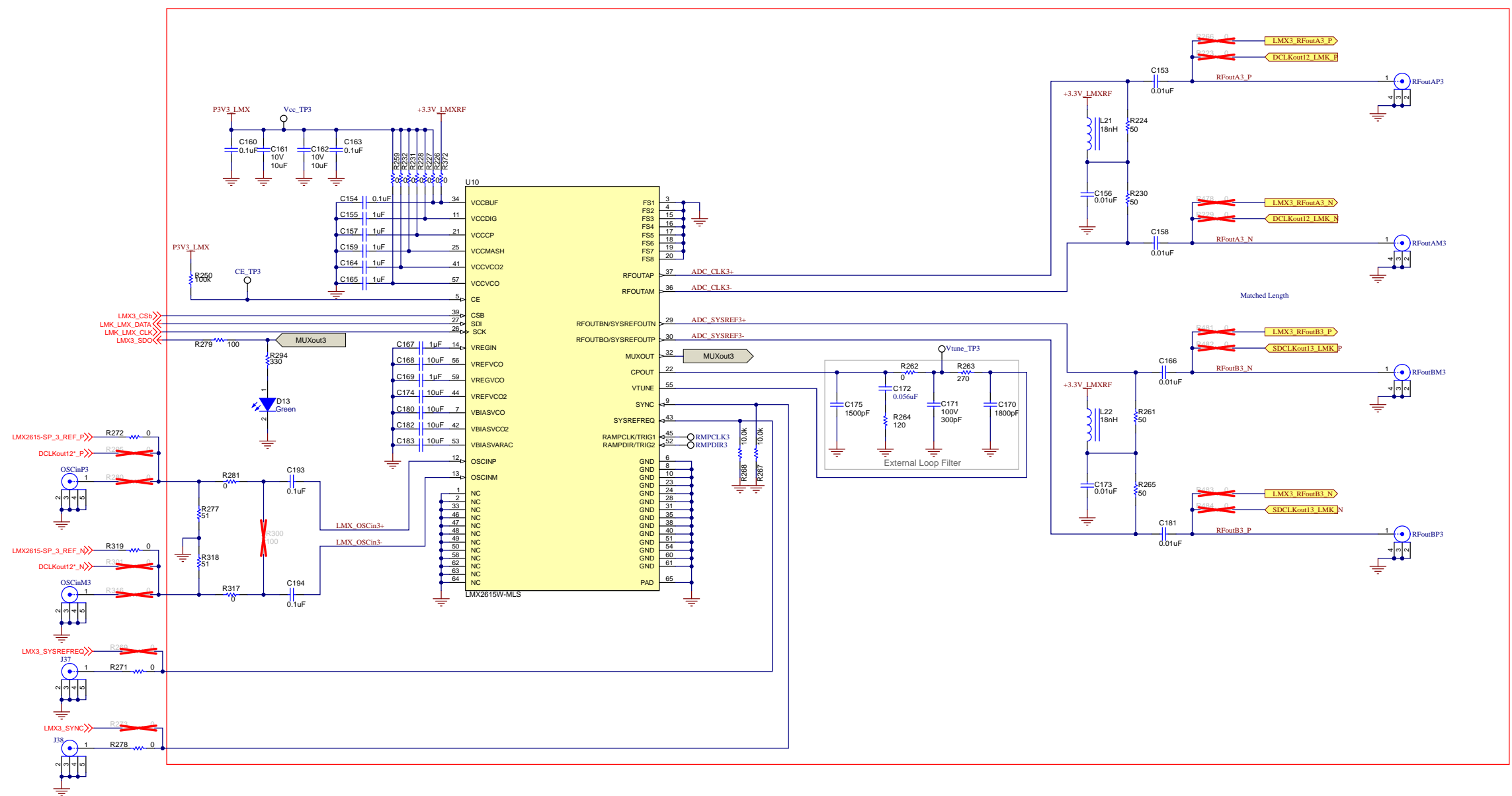
Clock Buffer **CDCM7005-SP**
 TI Datasheet SMD-5962-07230



RF PLL Synthesizer LMX2615-SP
TI Datasheet **SMD-5962-17236**



Texas Instruments and/or its licensors do not warrant the accuracy or completeness of this specification or any information contained therein. Texas Instruments and/or its licensors do not warrant that this design will meet the specifications, will be suitable for your application or fit for any particular purpose, or will operate in an implementation. Texas Instruments and/or its licensors do not warrant that the design is production worthy. You should completely validate and test your design implementation to confirm the system functionality for your application.



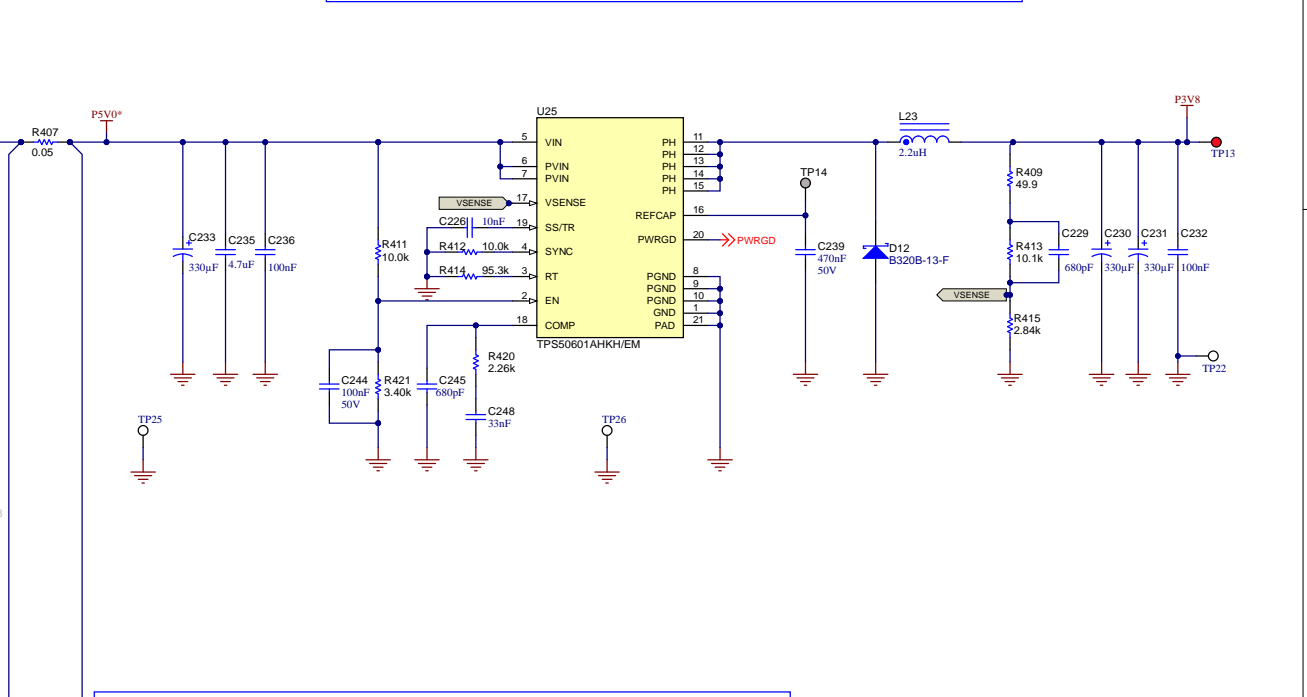
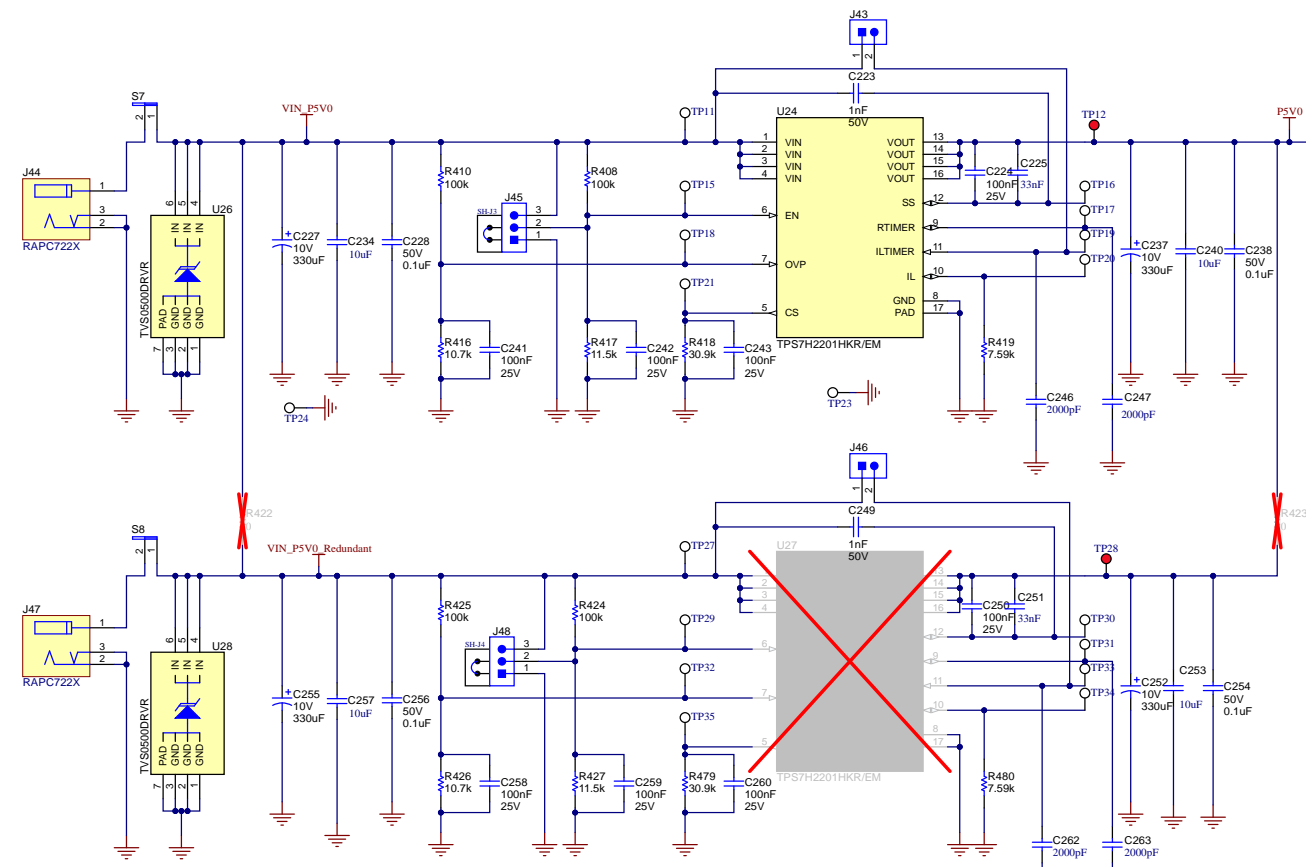
Orderable: NA	Designed for Public Release	Mod. Date: 9/29/2022
TID #: 010191	Project Title: TIDA-010191	
Number: TIDA-010191 Rev. E2	Sheet Title: LMX401FFK/EM	
SVN Rev: Not in version control	Assembly Variant: 001	Sheet: 5 of 9
Drawn By: Avinash N	File: TIDA-010191-E2_LMX2615_LO_SchDoc	Size: C
Engineer: Victor Salomon	Contact: http://e2e.ti.com/	

Texas Instruments and/or its licensors do not warrant the accuracy or completeness of this specification or any information contained therein. Texas Instruments and/or its licensors do not warrant that this design will meet the specifications, will be suitable for your application or fit for any particular purpose, or will operate in an implementation. Texas Instruments and/or its licensors do not warrant that the design is production worthy. You should completely validate and test your design implementation to confirm the system functionality for your application.

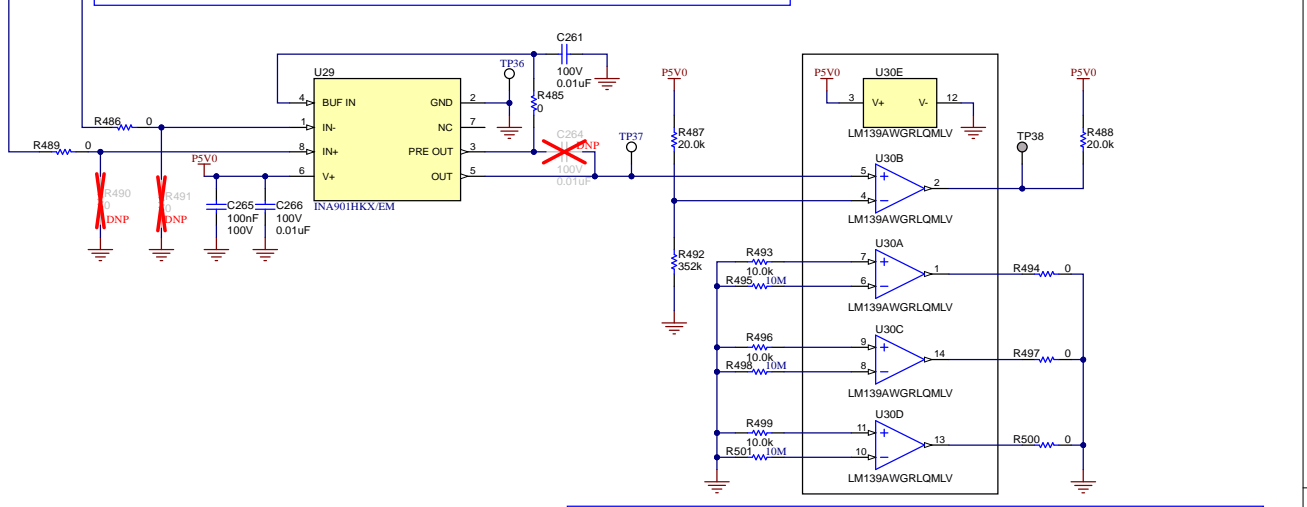


eFuse Load Switch TPS7H2201-SP
 TI Datasheet SMD 5962-17220

Step-Down Converter TPS50601A-SP
 TI Datasheet SMD 5962-10221



Current Sense Amp INA901-SP
 TI Datasheet SMD 5962-18210

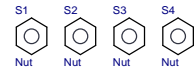


Quad-Comparator LM139AQLM-SP
 TI Datasheet SMD 5962-96738

Orderable: NA	Designed for Public Release	Mod. Date: 9/29/2022
TID #: 010191	Project Title: TIDA-010191	
Number: TIDA-010191 Rev. E2	Sheet Title: POWER SUPPLIES	
SVN Rev: Not in version control	Assembly Variant: 001	Sheet: 6 of 9
Drawn By: Avinash N	File: TIDA-010191-E2_Power-Supply_1.SchDoc	Size: C
Engineer: Victor Salomon	Contact: http://e2e.ti.com/	http://www.ti.com

Texas Instruments and/or its licensors do not warrant the accuracy or completeness of this specification or any information contained therein. Texas Instruments and/or its licensors do not warrant that this design will meet the specifications, will be suitable for your application or fit for any particular purpose, or will operate in an implementation. Texas Instruments and/or its licensors do not warrant that the design is production worthy. You should completely validate and test your design implementation to confirm the system functionality for your application.





PCB Number: TIDA-010191
PCB Rev: E2

PCB LOGO
Pb-Free Symbol

PCB LOGO
FCC disclaimer

PCB LOGO
Logo4

PCB LOGO
WEEE logo

LBL1
PCB Label
Label

ZZ1
Label Assembly Note
This Assembly Note is for PCB labels only

ZZ2
Assembly Note
These assemblies are ESD sensitive, ESD precautions shall be observed.

ZZ3
Assembly Note
These assemblies must be clean and free from flux and all contaminants. Use of no clean flux is not acceptable.

ZZ4
Assembly Note
These assemblies must comply with workmanship standards IPC-A-610 Class 2, unless otherwise specified.

Variant/Label Table	
Variant	Label Text
001	ChangeMe!
002	ChangeMe!

IMPORTANT NOTICE AND DISCLAIMER

TI PROVIDES TECHNICAL AND RELIABILITY DATA (INCLUDING DATA SHEETS), DESIGN RESOURCES (INCLUDING REFERENCE DESIGNS), APPLICATION OR OTHER DESIGN ADVICE, WEB TOOLS, SAFETY INFORMATION, AND OTHER RESOURCES "AS IS" AND WITH ALL FAULTS, AND DISCLAIMS ALL WARRANTIES, EXPRESS AND IMPLIED, INCLUDING WITHOUT LIMITATION ANY IMPLIED WARRANTIES OF MERCHANTABILITY, FITNESS FOR A PARTICULAR PURPOSE OR NON-INFRINGEMENT OF THIRD PARTY INTELLECTUAL PROPERTY RIGHTS.

These resources are intended for skilled developers designing with TI products. You are solely responsible for (1) selecting the appropriate TI products for your application, (2) designing, validating and testing your application, and (3) ensuring your application meets applicable standards, and any other safety, security, regulatory or other requirements.

These resources are subject to change without notice. TI grants you permission to use these resources only for development of an application that uses the TI products described in the resource. Other reproduction and display of these resources is prohibited. No license is granted to any other TI intellectual property right or to any third party intellectual property right. TI disclaims responsibility for, and you will fully indemnify TI and its representatives against, any claims, damages, costs, losses, and liabilities arising out of your use of these resources.

TI's products are provided subject to [TI's Terms of Sale](#) or other applicable terms available either on [ti.com](https://www.ti.com) or provided in conjunction with such TI products. TI's provision of these resources does not expand or otherwise alter TI's applicable warranties or warranty disclaimers for TI products.

TI objects to and rejects any additional or different terms you may have proposed.

Mailing Address: Texas Instruments, Post Office Box 655303, Dallas, Texas 75265
Copyright © 2023, Texas Instruments Incorporated