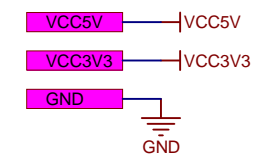
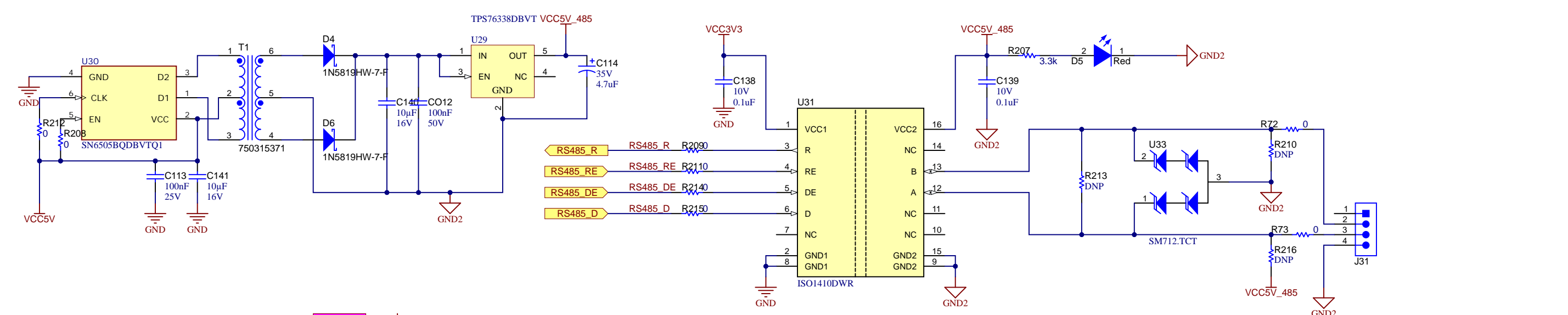
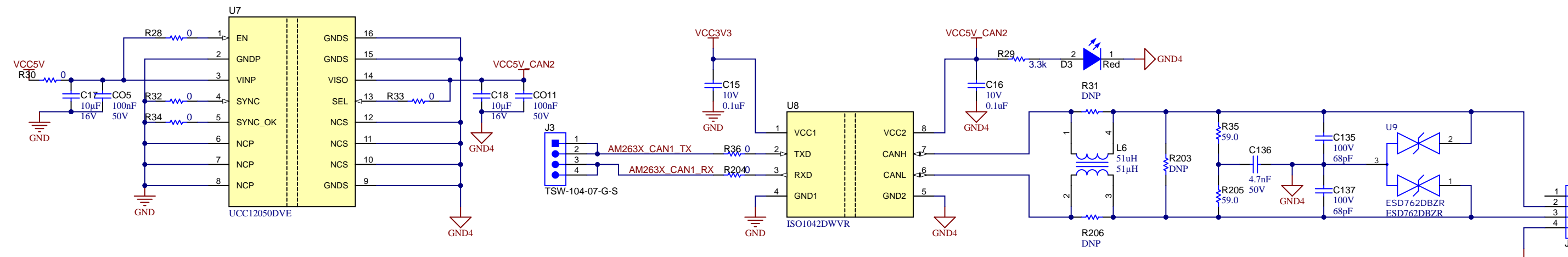
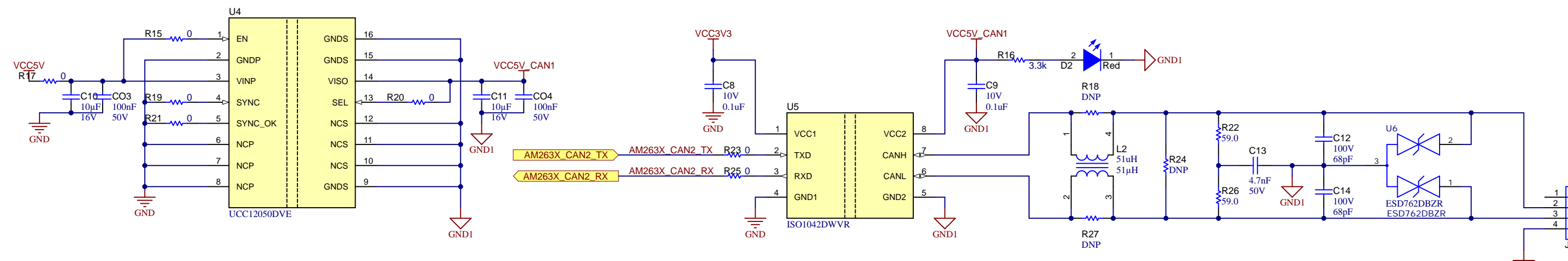
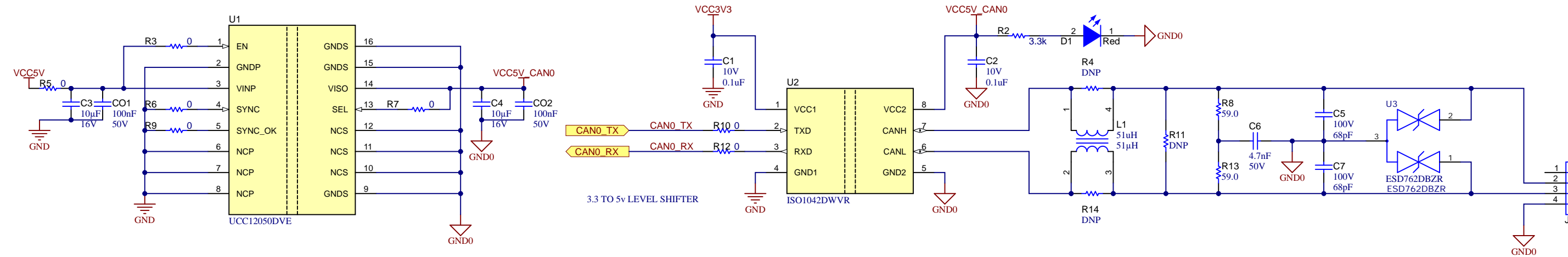


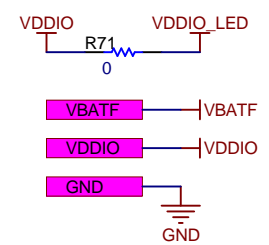
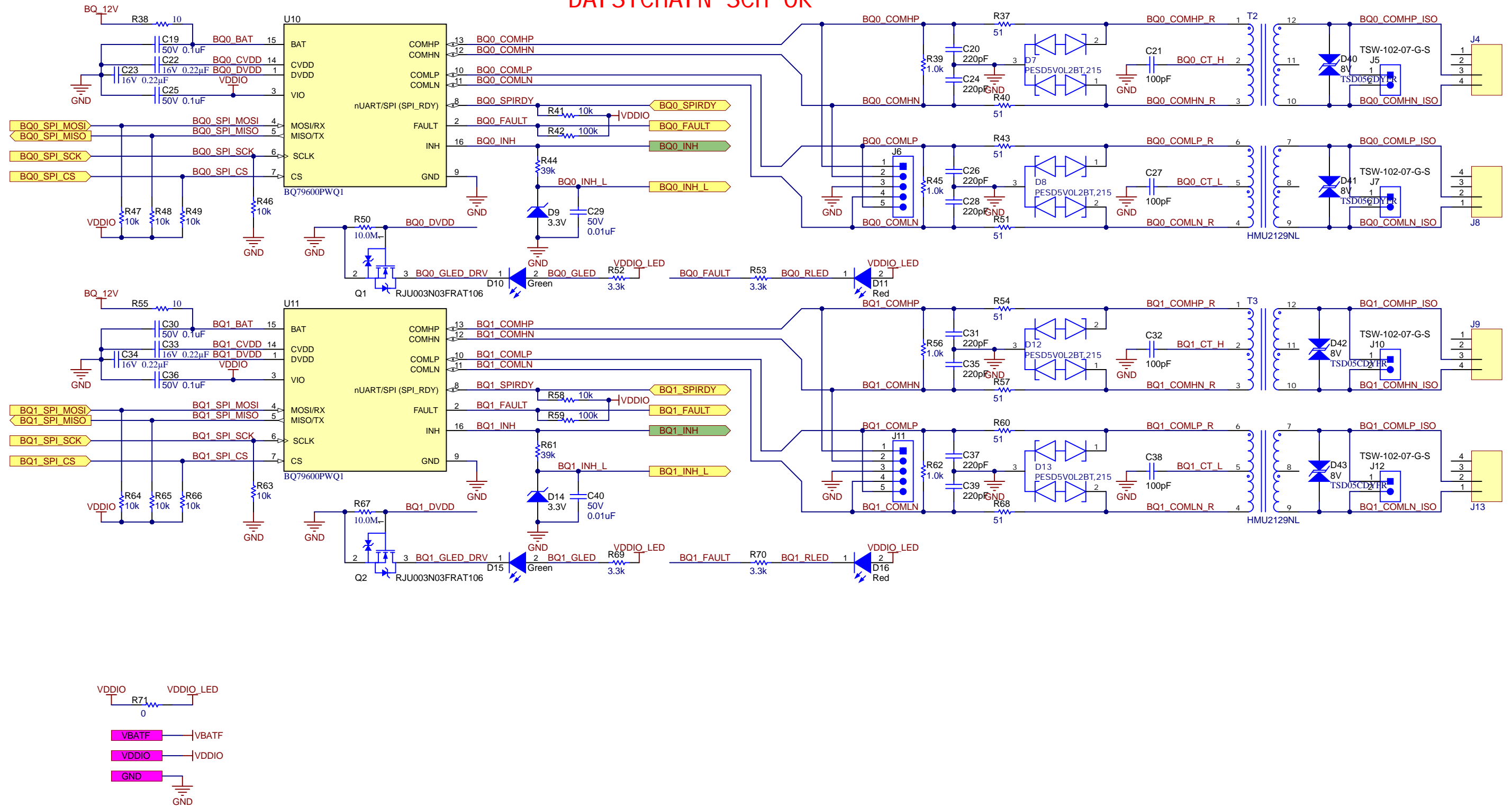
Texas Instruments and/or its licensors do not warrant the accuracy or completeness of this specification or any information contained therein. Texas Instruments and/or its licensors do not warrant that this design will meet the specifications, will be suitable for your application or fit for any particular purpose, or will operate in an implementation. Texas Instruments and/or its licensors do not warrant that the design is production worthy. You should completely validate and test your design implementation to confirm the system functionality for your application.

Orderable:	Designed for: Public Release	Mod. Date: 2023/10/17
TID #: TIDA-010253	Project Title: Battery Control Unit Reference Design for Energy S	
Number: TIDA-010253	Rev: E1	Sheet Title:
SVN Rev: Not in version control	Assembly Variant: [No Variations]	Sheet: 1 of 7
Drawn By:	File: CoverSheet.SchDoc	Size: A3
Engineer: Enter name of project lead	Contact: http://www.ti.com/support	





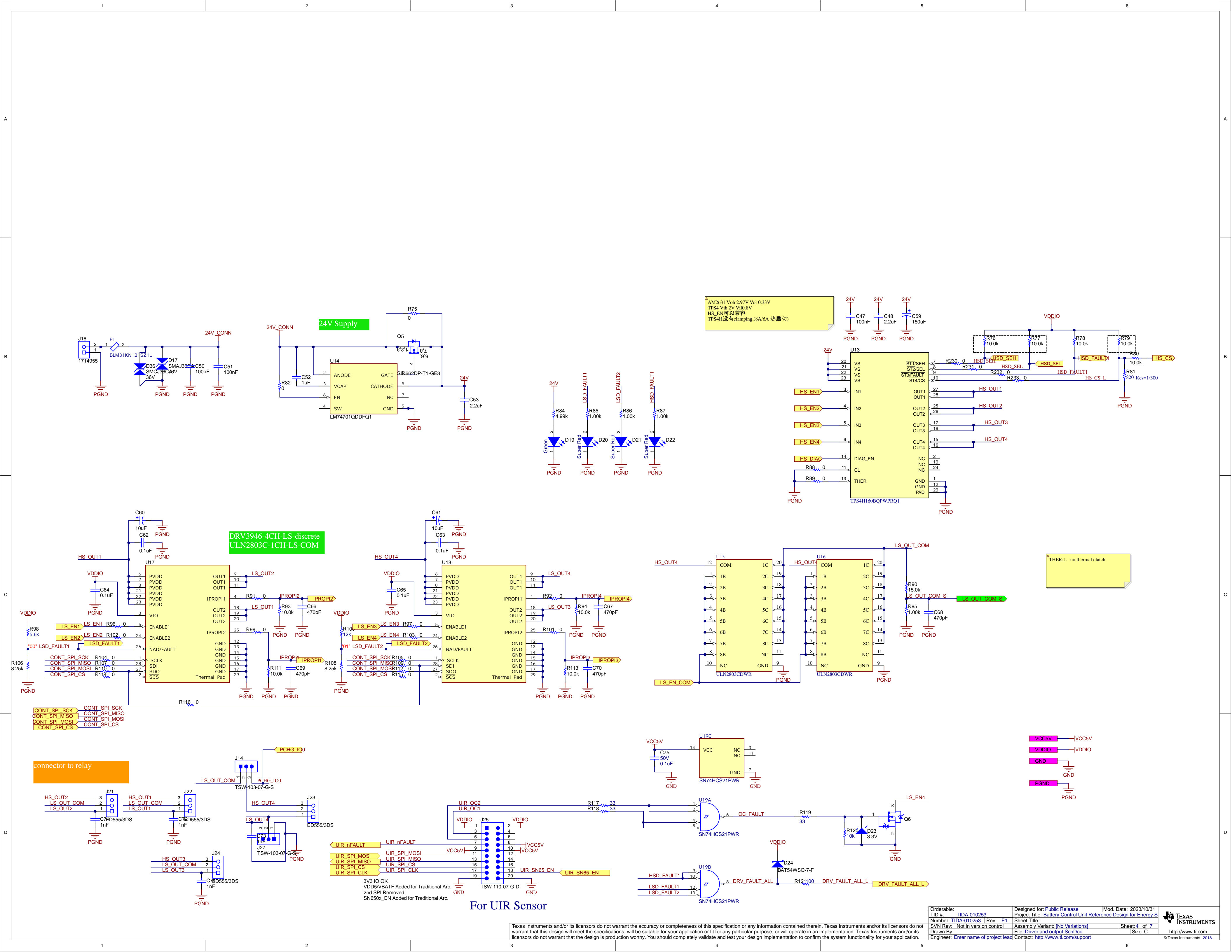
DAI SYCHAIN SCH OK



Orderable:	Designed for: Public Release	Mod. Date: 2023/10/31
TID #: TIDA-010253	Project Title: Battery Control Unit Reference Design for Energy S	
Number: TIDA-010253 Rev: E1	Sheet Title:	
SVN Rev: Not in version control	Assembly Variant: [No Variations]	Sheet: 3 of 7
Drawn By:	File: DaisyChain.SchDoc	Size: A3
Engineer: Enter name of project lead	Contact: http://www.ti.com/support	

Texas Instruments and/or its licensors do not warrant the accuracy or completeness of this specification or any information contained therein. Texas Instruments and/or its licensors do not warrant that this design will meet the specifications, will be suitable for your application or fit for any particular purpose, or will operate in an implementation. Texas Instruments and/or its licensors do not warrant that the design is production worthy. You should completely validate and test your design implementation to confirm the system functionality for your application.



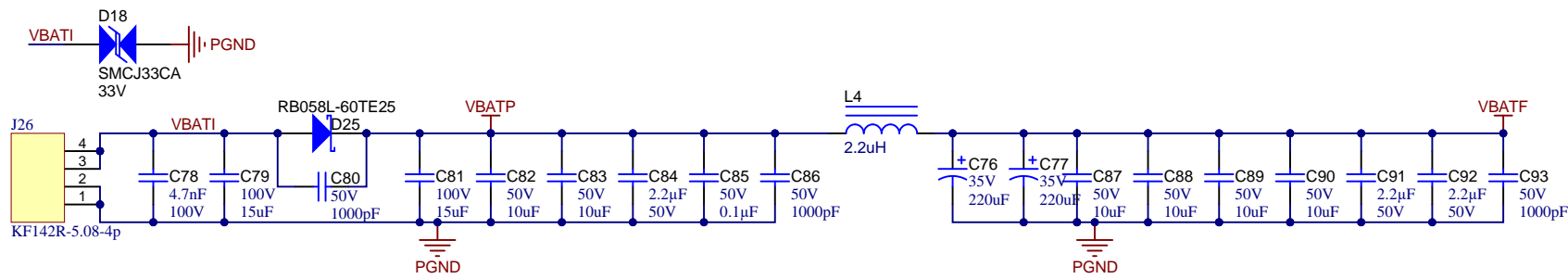


AM2631 Voh 2.97V Vol 0.33V
 TPS4 Vih 2V Vilo 8V
 HS_EN可以兼容
 TPS4H没有clamping.(8A/6A 热启动)

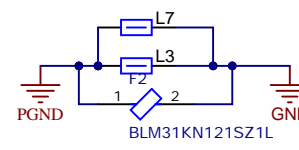
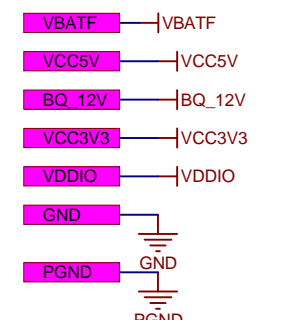
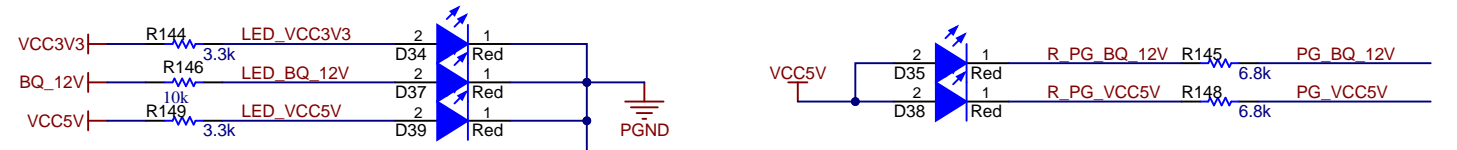
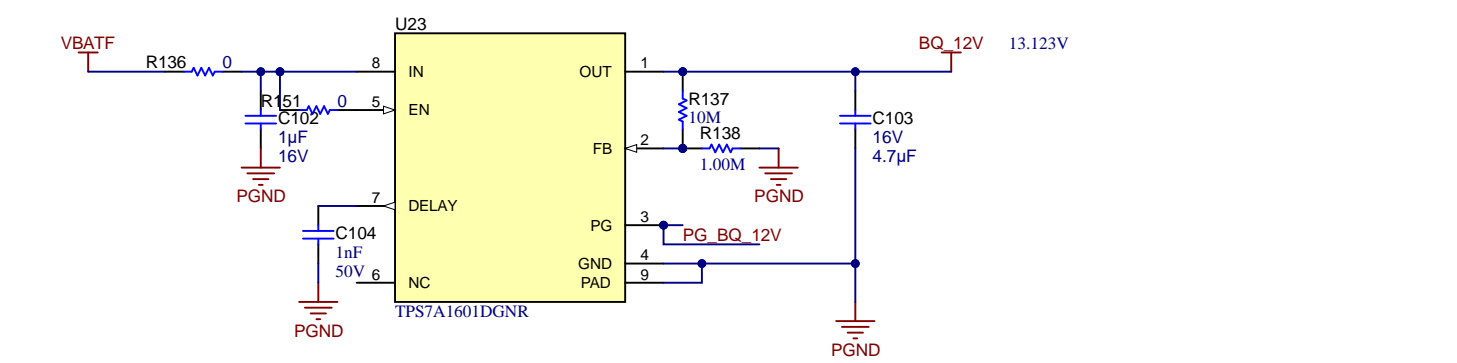
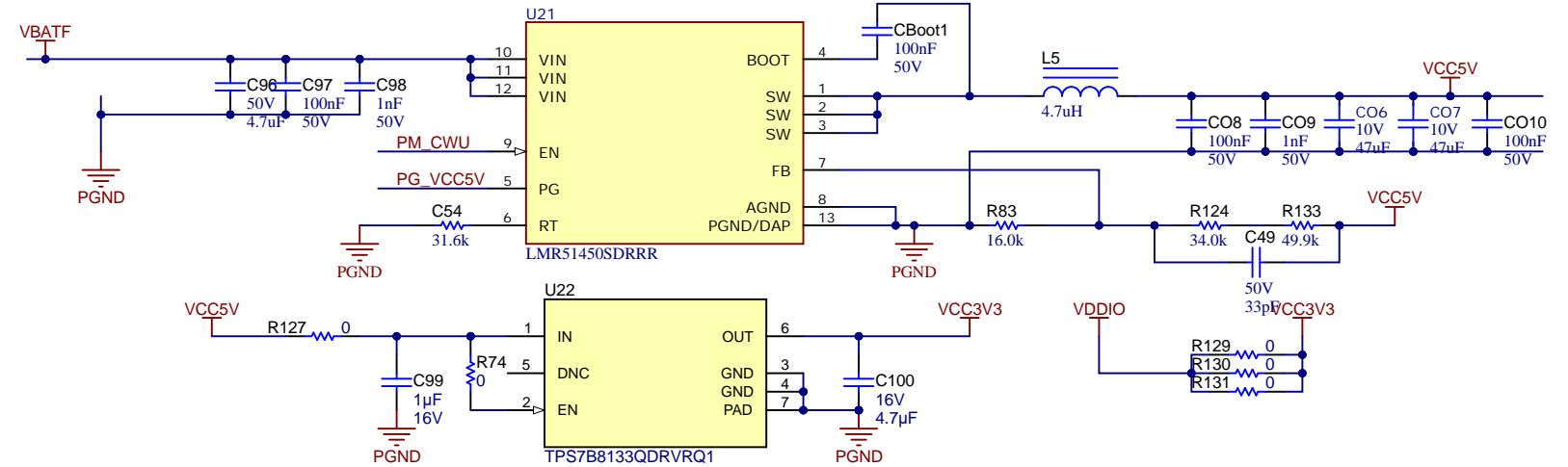
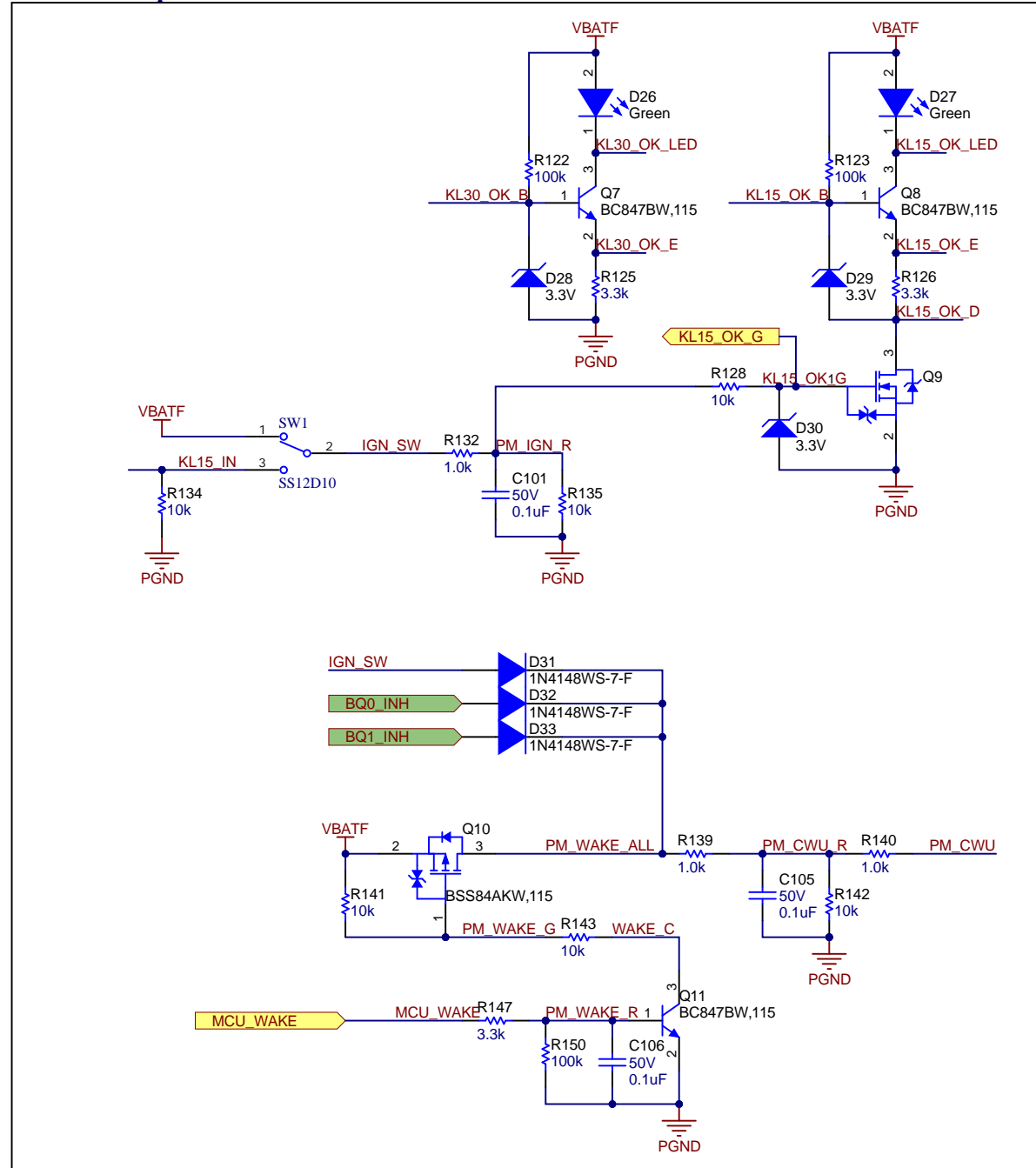
THER.L. no thermal clutch

For IIR Sensor

Texas Instruments and/or its licensors do not warrant the accuracy or completeness of this specification or any information contained therein. Texas Instruments and/or its licensors do not warrant that this design will meet the specifications, will be suitable for your application or fit for any particular purpose, or will operate in an implementation. Texas Instruments and/or its licensors do not warrant that the design is production worthy. You should completely validate and test your design implementation to confirm the system functionality for your application.



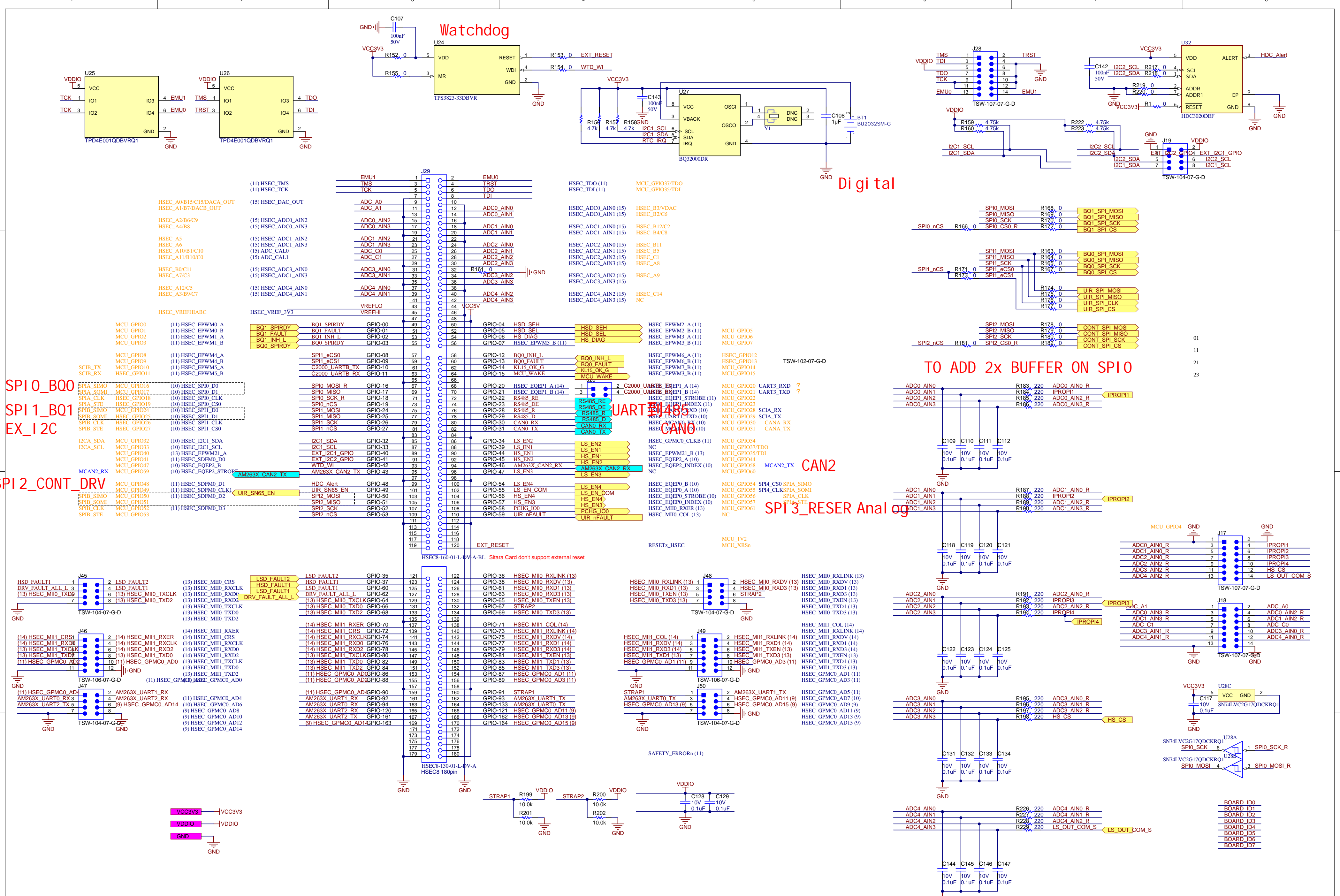
wakeup



Texas Instruments and/or its licensors do not warrant the accuracy or completeness of this specification or any information contained therein. Texas Instruments and/or its licensors do not warrant that this design will meet the specifications, will be suitable for your application or fit for any particular purpose, or will operate in an implementation. Texas Instruments and/or its licensors do not warrant that the design is production worthy. You should completely validate and test your design implementation to confirm the system functionality for your application.

Orderable:	Designed for: Public Release	Mod. Date: 2023/7/3
TID #: TIDA-010253	Project Title: Battery Control Unit Reference Design for Energy S	
Number: TIDA-010253	Rev: E1	Sheet Title:
SVN Rev: Not in version control	Assembly Variant: [No Variations]	Sheet: 5 of 7
Drawn By:	File: PowerSupply_SchDoc	Size: A3
Engineer: Enter name of project lead	Contact: http://www.ti.com/support	





Watchdog

Digital

TO ADD 2x BUFFER ON SPI0

SPI 3_RESER Analog

SPI 0_BQ0
SPI 1_BQ1
EXT_I2C

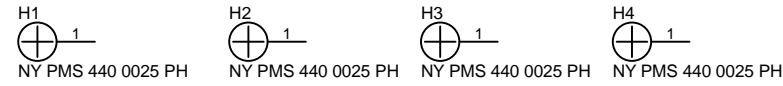
SPI 2_CONT_DRV

UART 485
CAN0

CAN2



Texas Instruments and/or its licensors do not warrant the accuracy or completeness of this specification or any information contained therein. Texas Instruments and/or its licensors do not warrant that this design will meet the specifications, will be suitable for your application or fit for any particular purpose, or will operate in an implementation. Texas Instruments and/or its licensors do not warrant that the design is production worthy. You should completely validate and test your design implementation to confirm the system functionality for your application.



PCB Number: TIDA-010253
PCB Rev: E1

PCB LOGO
Texas Instruments

PCB LOGO
Pb-Free Symbol

PCB LOGO
FCC disclaimer



LBL1
PCB Label
THT-14-423-10
Size: 0.65" x 0.20 "

ZZ1
Label Assembly Note
This Assembly Note is for PCB labels only

ZZ2
Assembly Note
These assemblies are ESD sensitive, ESD precautions shall be observed.

ZZ3
Assembly Note
These assemblies must be clean and free from flux and all contaminants. Use of no clean flux is not acceptable.

ZZ4
Assembly Note
These assemblies must comply with workmanship standards IPC-A-610 Class 2, unless otherwise specified.

ZZ5
Assembly Note
Via in PADs must be filled

Variant/Label Table	
Variant	Label Text
001	Production Variant

Texas Instruments and/or its licensors do not warrant the accuracy or completeness of this specification or any information contained therein. Texas Instruments and/or its licensors do not warrant that this design will meet the specifications, will be suitable for your application or fit for any particular purpose, or will operate in an implementation. Texas Instruments and/or its licensors do not warrant that the design is production worthy. You should completely validate and test your design implementation to confirm the system functionality for your application.

Orderable:	Designed for: Public Release	Mod. Date: 2023/6/10
TID #: TIDA-010253	Project Title: Battery Control Unit Reference Design for Energy S	
Number: TIDA-010253 Rev: E1	Sheet Title:	
SVN Rev: Not in version control	Assembly Variant: [No Variations]	Sheet: 7 of 7
Drawn By:	File: BCU_HARDWARE.SchDoc	Size: A3
Engineer: Enter name of project lead	Contact: http://www.ti.com/support	

IMPORTANT NOTICE AND DISCLAIMER

TI PROVIDES TECHNICAL AND RELIABILITY DATA (INCLUDING DATA SHEETS), DESIGN RESOURCES (INCLUDING REFERENCE DESIGNS), APPLICATION OR OTHER DESIGN ADVICE, WEB TOOLS, SAFETY INFORMATION, AND OTHER RESOURCES "AS IS" AND WITH ALL FAULTS, AND DISCLAIMS ALL WARRANTIES, EXPRESS AND IMPLIED, INCLUDING WITHOUT LIMITATION ANY IMPLIED WARRANTIES OF MERCHANTABILITY, FITNESS FOR A PARTICULAR PURPOSE OR NON-INFRINGEMENT OF THIRD PARTY INTELLECTUAL PROPERTY RIGHTS.

These resources are intended for skilled developers designing with TI products. You are solely responsible for (1) selecting the appropriate TI products for your application, (2) designing, validating and testing your application, and (3) ensuring your application meets applicable standards, and any other safety, security, regulatory or other requirements.

These resources are subject to change without notice. TI grants you permission to use these resources only for development of an application that uses the TI products described in the resource. Other reproduction and display of these resources is prohibited. No license is granted to any other TI intellectual property right or to any third party intellectual property right. TI disclaims responsibility for, and you will fully indemnify TI and its representatives against, any claims, damages, costs, losses, and liabilities arising out of your use of these resources.

TI's products are provided subject to [TI's Terms of Sale](#) or other applicable terms available either on [ti.com](https://www.ti.com) or provided in conjunction with such TI products. TI's provision of these resources does not expand or otherwise alter TI's applicable warranties or warranty disclaimers for TI products.

TI objects to and rejects any additional or different terms you may have proposed.

Mailing Address: Texas Instruments, Post Office Box 655303, Dallas, Texas 75265
Copyright © 2023, Texas Instruments Incorporated