

Revision History

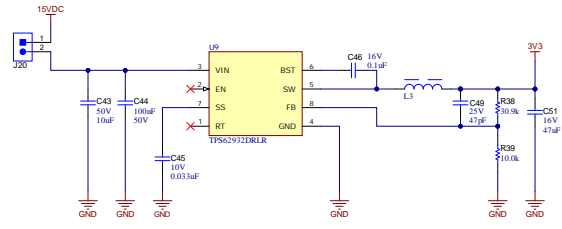
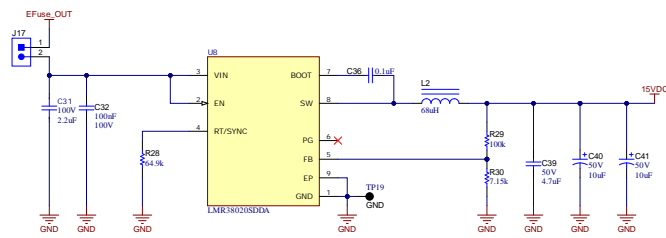
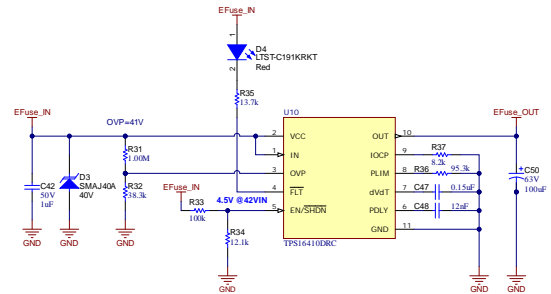
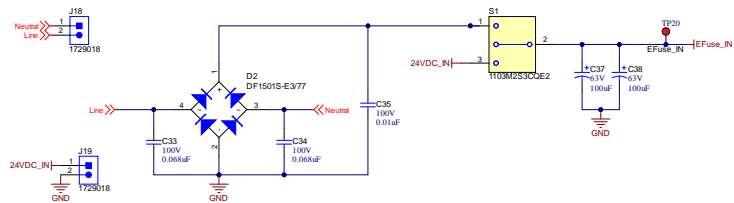
Rev	ECN #	Approved Date	Approved by	Notes
N/A	N/A	N/A	N/A	N/A

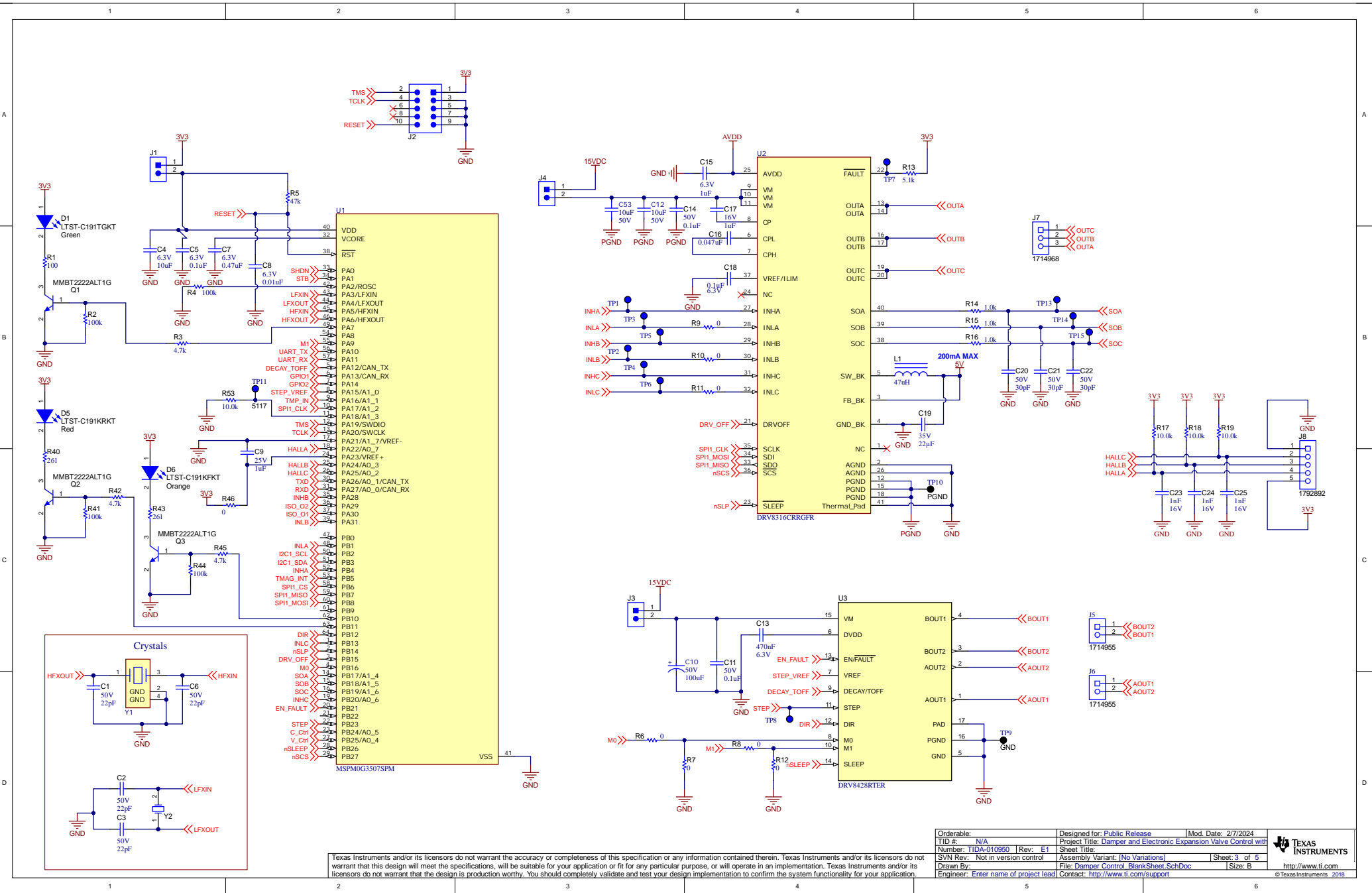
Place Block Diagram here (if appropriate) or delete this text box.  
 If using a block diagram from another tool, save the picture as a .bmp  
 file.  
 Then, use menu Place|Drawing Tools|Graphic to insert the  
 .png/.svg/.bmp file on the schematic.

Texas Instruments and/or its licensors do not warrant the accuracy or completeness of this specification or any information contained therein. Texas Instruments and/or its licensors do not warrant that this design will meet the specifications, will be suitable for your application or fit for any particular purpose, or will operate in an implementation. Texas Instruments and/or its licensors do not warrant that the design is production worthy. You should completely validate and test your design implementation to confirm the system functionality for your application.

Orderable:	Designed for: Public Release	Mod. Date: 1/25/2022
TID #: N/A	Project Title: Damper and Electronic Expansion Valve Control with	
Number: TIDA-010950   Rev: E1	Sheet Title:	
SVN Rev: Not in version control	Assembly Variant: [No Variations]	Sheet: 1 of 5
Drawn By:	File: Damper Control.SchDoc	Size: B
Engineer: Enter name of project lead	Contact: <a href="http://www.ti.com/support">http://www.ti.com/support</a>	







Texas Instruments and/or its licensors do not warrant the accuracy or completeness of this specification or any information contained therein. Texas Instruments and/or its licensors do not warrant that this design will meet the specifications, will be suitable for your application or fit for any particular purpose, or will operate in an implementation. Texas Instruments and/or its licensors do not warrant that the design is production worthy. You should completely validate and test your design implementation to confirm the system functionality for your application.

Orderable:	Designed for: Public Release	Mod. Date: 2/7/2024
TID #:	Project Title: Damper and Electronic Expansion Valve Control with	
Number: TIDA-010950   Rev: E1	Sheet Title:	
SVN Rev: Not in version control	Assembly Variant: [No Variations]	Sheet: 3 of 5
Drawn By:	File: Damper Control_BlanSheet_SchDoc	Size: B
Engineer: Enter name of project lead	Contact: http://www.ti.com/support	

© Texas Instruments 2018

A

B

C

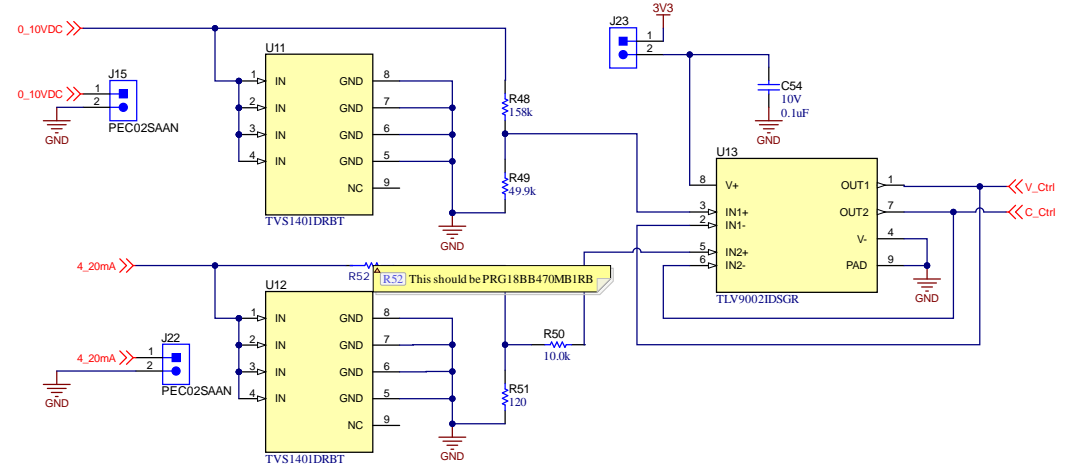
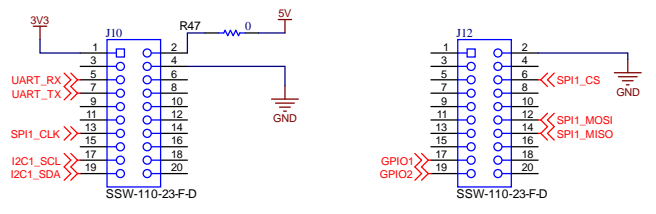
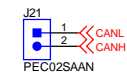
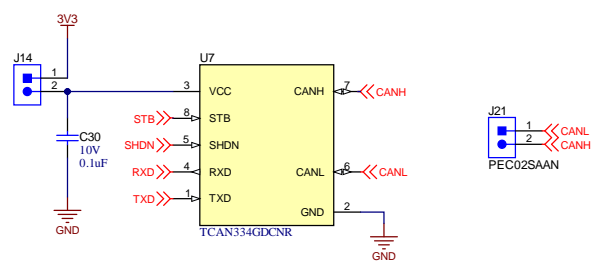
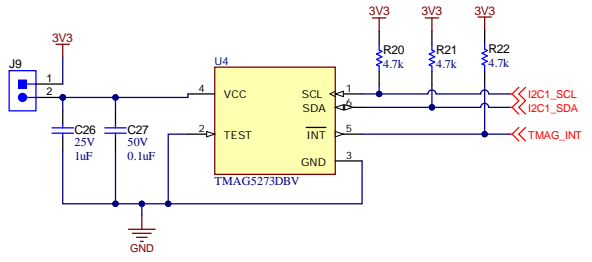
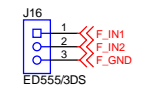
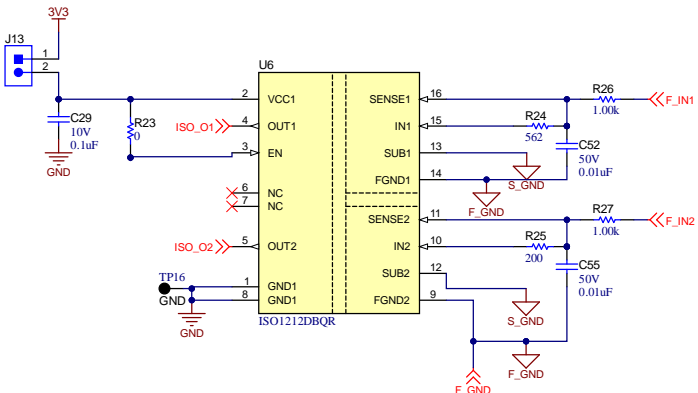
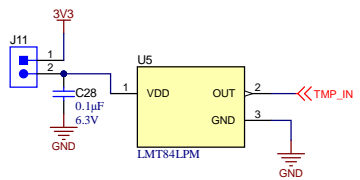
D

A

B

C

D



Texas Instruments and/or its licensors do not warrant the accuracy or completeness of this specification or any information contained therein. Texas Instruments and/or its licensors do not warrant that this design will meet the specifications, will be suitable for your application or fit for any particular purpose, or will operate in an implementation. Texas Instruments and/or its licensors do not warrant that the design is production worthy. You should completely validate and test your design implementation to confirm the system functionality for your application.

Orderable:	Designed for: Public Release	Mod. Date: 2/7/2024
TID#: N/A	Project Title: Damper and Electronic Expansion Valve Control w/	
Number: TIDA-010950   Rev: E1	Sheet Title:	
SVN Rev: Not in version control	Assembly Variant: [No Variations]	Sheet 4 of 5
Drawn By:	File: Interface and Peripherals.SchDoc	Size: A3
Engineer: Enter name of project lead	Contact: http://www.ti.com/support	http://www.ti.com



H3 NY PMS 440 0025 PH  
 H6 NY PMS 440 0025 PH  
 H9 NY PMS 440 0025 PH  
 H12 NY PMS 440 0025 PH

H2 1902C  
 H5 1902C  
 H8 1902C  
 H11 1902C

FID1  
 FID2  
 FID3

PCB Number: TIDA-010950  
 PCB Rev: E1

PCB LOGO  
 Texas Instruments



PCB LOGO  
 FCC disclaimer

PCB LOGO  
 WEEE logo

You should delete the nylon screws/standoffs and/or the bump-ons as needed for your design (or substitute other parts from Hardware.IntLib). Bump-ons are cheaper, but provide less clearance.

Deleting anything else from this page may result in your EVM submission being rejected (until you add them back).

Update the Label Text in the Label Table as needed for each Assembly Variant.

You should delete this note too.

Variant/Label Table	
Variant	Label Text
001	ChangeMe!
002	ChangeMe!

ZZ1  
 Label Assembly Note  
 This Assembly Note is for PCB labels only

ZZ2  
 Assembly Note  
 These assemblies are ESD sensitive, ESD precautions shall be observed.

ZZ3  
 Assembly Note  
 These assemblies must be clean and free from flux and all contaminants. Use of no clean flux is not acceptable.

ZZ4  
 Assembly Note  
 These assemblies must comply with workmanship standards IPC-A-610 Class 2, unless otherwise specified.

Texas Instruments and/or its licensors do not warrant the accuracy or completeness of this specification or any information contained therein. Texas Instruments and/or its licensors do not warrant that this design will meet the specifications, will be suitable for your application or fit for any particular purpose, or will operate in an implementation. Texas Instruments and/or its licensors do not warrant that the design is production worthy. You should completely validate and test your design implementation to confirm the system functionality for your application.

Orderable:	Designed for: Public Release	Mod. Date: 12/4/2023
TID #:	N/A	Project Title: Damper and Electronic Expansion Valve Control with
Number: TIDA-010950	Rev: E1	Sheet Title:
SVN Rev: Not in version control	Assembly Variant: [No Variations]	Sheet: 5 of 5
Drawn By:	File: Damper Control_Hardware.SchDoc	Size: B
Engineer: Enter name of project lead	Contact: http://www.ti.com/support	



©Texas Instruments 2018

## IMPORTANT NOTICE AND DISCLAIMER

TI PROVIDES TECHNICAL AND RELIABILITY DATA (INCLUDING DATA SHEETS), DESIGN RESOURCES (INCLUDING REFERENCE DESIGNS), APPLICATION OR OTHER DESIGN ADVICE, WEB TOOLS, SAFETY INFORMATION, AND OTHER RESOURCES "AS IS" AND WITH ALL FAULTS, AND DISCLAIMS ALL WARRANTIES, EXPRESS AND IMPLIED, INCLUDING WITHOUT LIMITATION ANY IMPLIED WARRANTIES OF MERCHANTABILITY, FITNESS FOR A PARTICULAR PURPOSE OR NON-INFRINGEMENT OF THIRD PARTY INTELLECTUAL PROPERTY RIGHTS.

These resources are intended for skilled developers designing with TI products. You are solely responsible for (1) selecting the appropriate TI products for your application, (2) designing, validating and testing your application, and (3) ensuring your application meets applicable standards, and any other safety, security, regulatory or other requirements.

These resources are subject to change without notice. TI grants you permission to use these resources only for development of an application that uses the TI products described in the resource. Other reproduction and display of these resources is prohibited. No license is granted to any other TI intellectual property right or to any third party intellectual property right. TI disclaims responsibility for, and you will fully indemnify TI and its representatives against, any claims, damages, costs, losses, and liabilities arising out of your use of these resources.

TI's products are provided subject to [TI's Terms of Sale](#) or other applicable terms available either on [ti.com](https://www.ti.com) or provided in conjunction with such TI products. TI's provision of these resources does not expand or otherwise alter TI's applicable warranties or warranty disclaimers for TI products.

TI objects to and rejects any additional or different terms you may have proposed.

Mailing Address: Texas Instruments, Post Office Box 655303, Dallas, Texas 75265  
Copyright © 2024, Texas Instruments Incorporated