


Notes - Unless otherwise noted

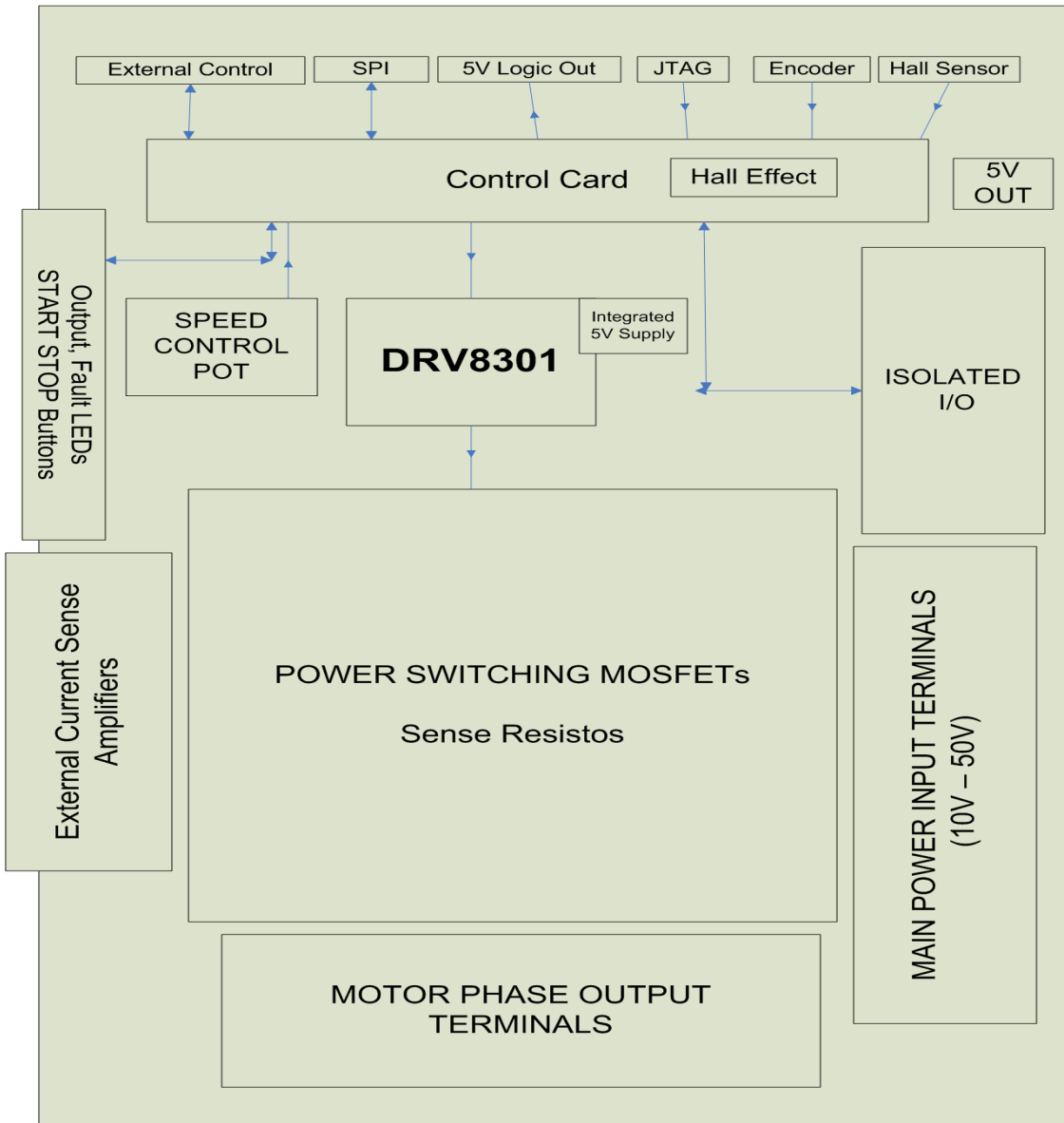
1. Resistances values in Ohms
2. Capacitance values in microfarads (uF)
3. All 0.1uF and 0.01uF capacitors are decoupling and should be placed near the IC they are shown with.

REVISION HISTORY			
REV	DESCRIPTION	DATE	ENG
A1	INITIAL SCHEMATIC	04-08-2011	AIY
A2	REMOVED ANALOG SWITCHES CHANGED FEEDBACK	05-12-2011	AKS
A3	CHANGED THE SIZE OF THE SENSE RESISTORS ADDED PULL-UP/PULL-DOWN ON SPI LINES REMOVED 0-OHM RESISTORS ON CURRENT SENSE	05-25-2011	AKS
B1	FIXED DRV8301 CURRENT SENSE POLARITY NO-POP ALL EXTERNAL CURRENT SENSE COMPONENTS CHANGED C14 TO 25V 0805 PACKAGE FETS CHANGED TO VISHAY SUM110N06-3M9H CHANGED CURRENT SENSE RESISTORS TO 2mOHM RECONFIGURED DC BUS CAPS SPLIT POWER CONNECTOR INTO TWO CONNECTORS	07-14-2011	JPW
C1	LAYOUT CHANGES TO IMPROVE GROUND CONNECTIONS FOR DE-COUPLING CAPACITORS C10, C14, C72 CREATED BOM VARIANT FOR DRV8302 CHANGED R12, R13, R21 TO 1K CHANGED R43, R47 TO 1K ( DRV8302 ONLY)	08-12-2011	AKS
D1	POPULATED EXTERNAL GAIN OP-AMPS AND CHANGED CONNECTIONS FOR THESE TO DAUGHTER CARD	01-18-2012	

- Page 1 - Title - Index - Revisions
- Page 2 - Block Diagram
- Page 3 - DRV8301/DRV8302
- Page 4 - Isolation Circuitry
- Page 5 - DIMM Socket - Connectors - Switches
- Page 6 - Power Input - Voltage Regulators - Current Sense Amplifiers
- Page 7 - Half Bridges - Motor Output

	D3 Engineering 1057 E Henrietta Rd Rochester, NY 14623 p. (585) 429-1550 f. (585) 429-1551 <a href="http://www.d3engineering.com">www.d3engineering.com</a>		
	D3 Engineering - TI - DRV8301/DRV8302 EVM - High Current		
Title - Index - Revisions			
<a href="http://www.D3Engineering.com">www.D3Engineering.com</a>	Size 3V6D5	CAGE Code 3V6D5	DWG NO <Doc>
Friday, January 20, 2012	Scale	Sheet 1	Rev I D1 of 7

# DRV8301 EVM Block Diagram

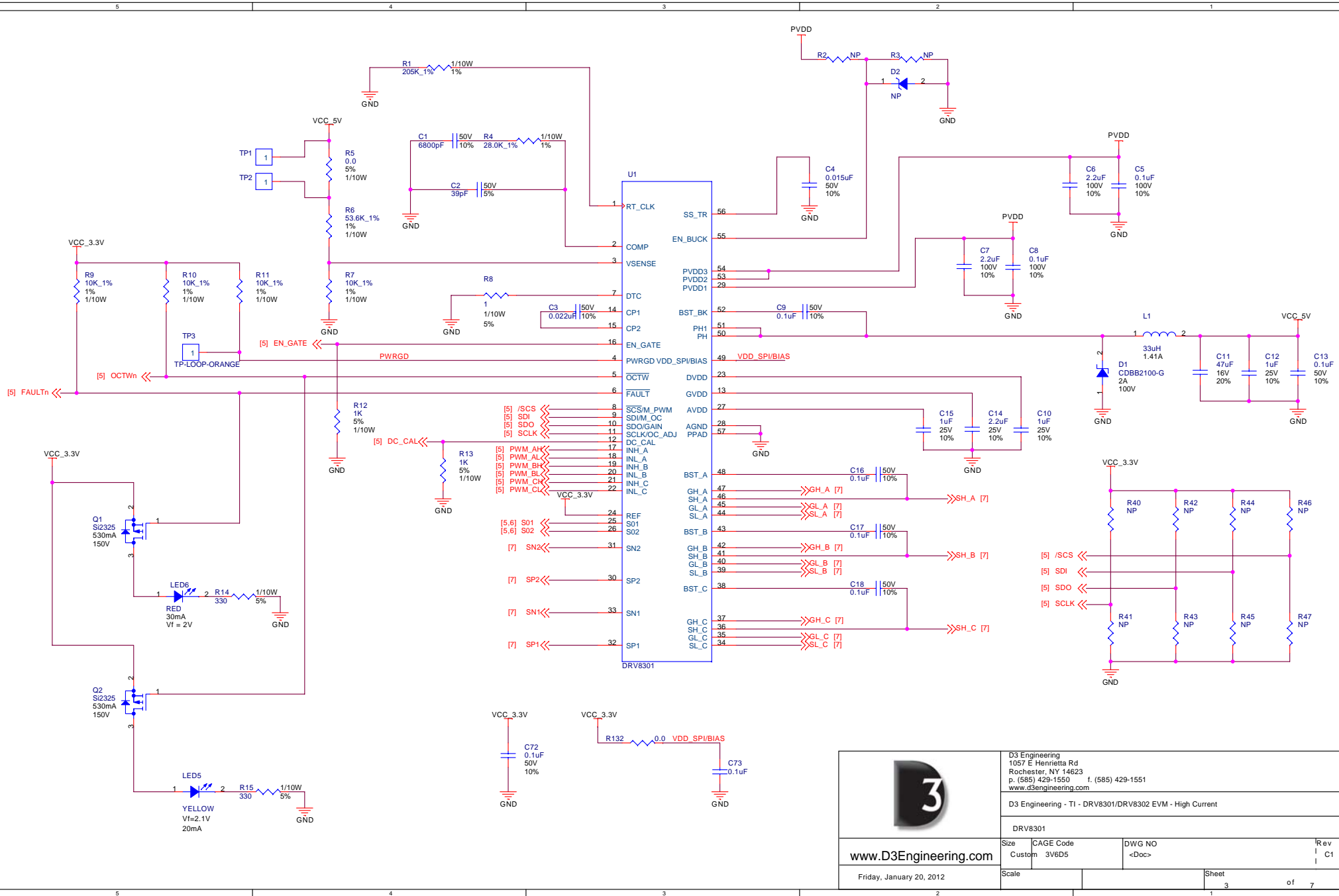


D3 Engineering  
 1057 E Henrietta Rd  
 Rochester, NY 14623  
 p. (585) 429-1550 f. (585) 429-1551  
[www.d3engineering.com](http://www.d3engineering.com)

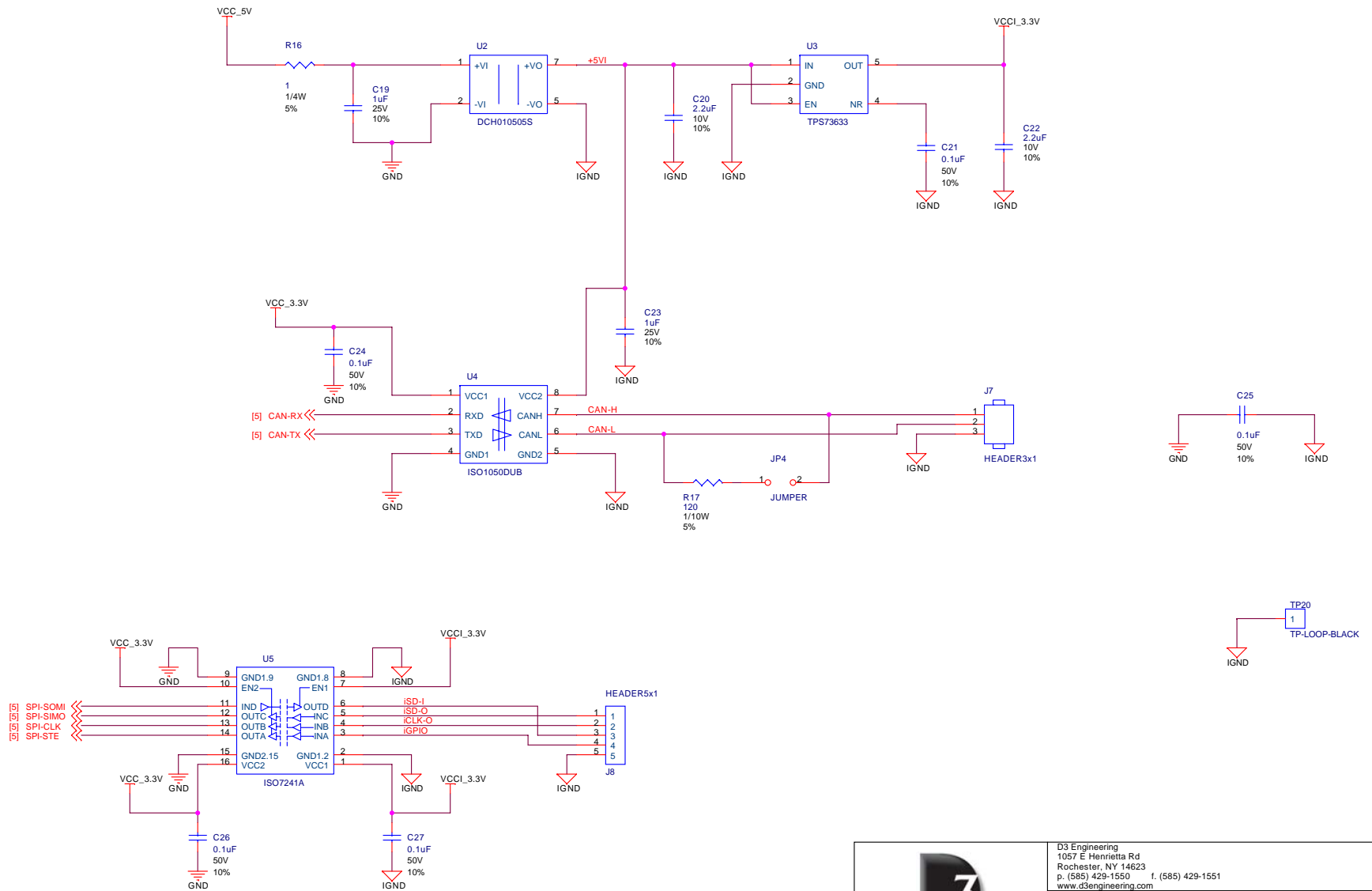
D3 Engineering - TI - DRV8301/DRV8302 EVM - High Current

Block Diagram

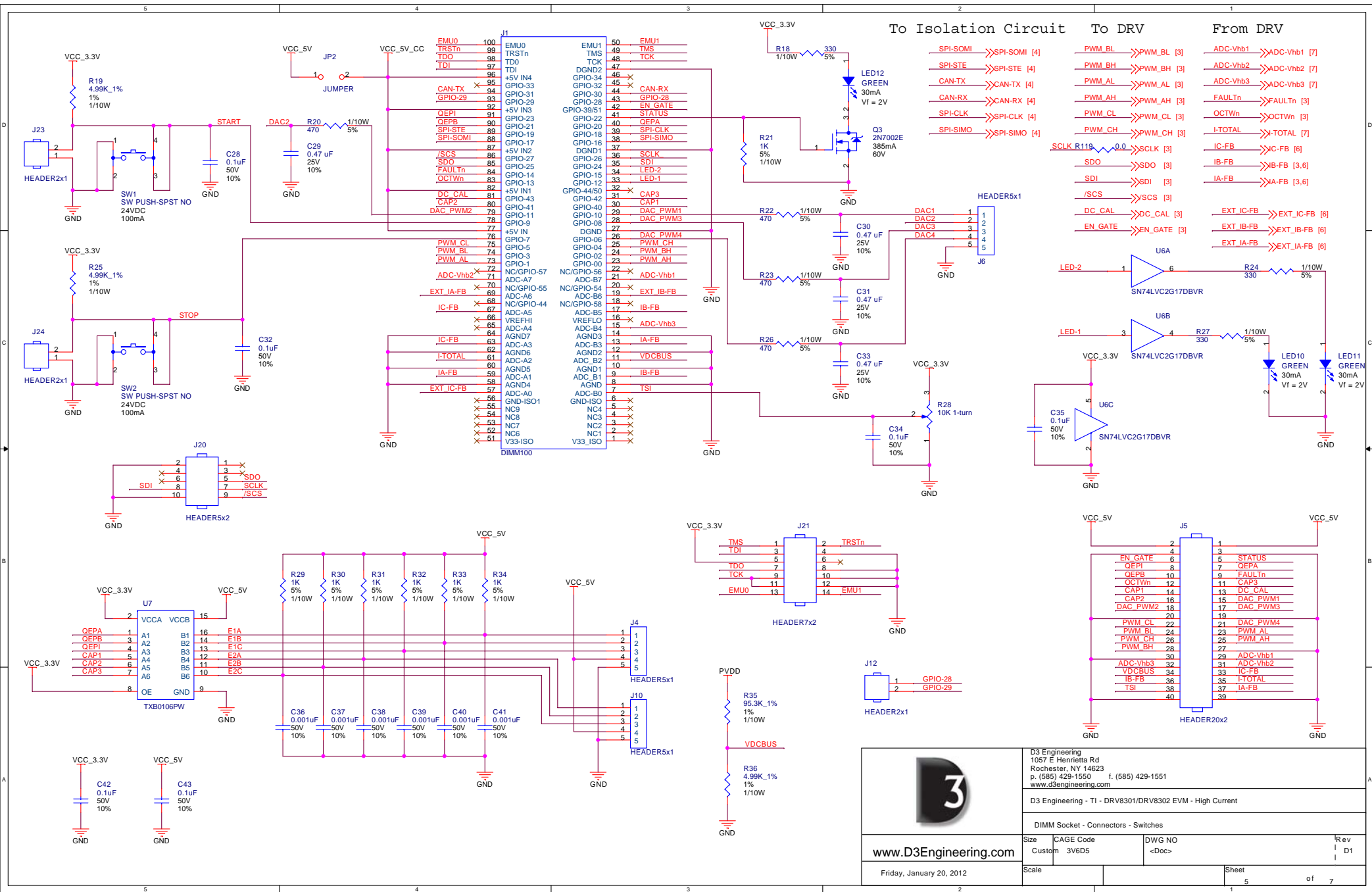
www.D3Engineering.com	Size Custom	CAGE Code 3V6D5	DWG NO <Doc>	Rev I C1
	Friday, January 20, 2012	Scale	Sheet 2	of 7



	D3 Engineering 1057 E Henrietta Rd Rochester, NY 14623 p. (585) 429-1550 f. (585) 429-1551 <a href="http://www.d3engineering.com">www.d3engineering.com</a>		
	D3 Engineering - TI - DRV8301/DRV8302 EVM - High Current		
DRV8301			
www.D3Engineering.com		Size Custom CAGE Code 3V6D5	DWG NO <Doc> Scale
Friday, January 20, 2012		Sheet 3 of 7 Rev I C1	



	D3 Engineering 1057 E Henrietta Rd Rochester, NY 14623 p. (585) 429-1550 f. (585) 429-1551 www.d3engineering.com		
	D3 Engineering - TI - DRV8301/DRV8302 EVM - High Current		
Isolation Circuitry			
<a href="http://www.D3Engineering.com">www.D3Engineering.com</a>	Size Custom	CAGE Code 3V6D5	DWG NO <Doc>
	Friday, January 20, 2012		Scale



3

D3 Engineering  
1057 E Henrietta Rd  
Rochester, NY 14623  
p. (585) 429-1550 f. (585) 429-1551  
www.d3engineering.com

D3 Engineering - TI - DRV8301/DRV8302 EVM - High Current

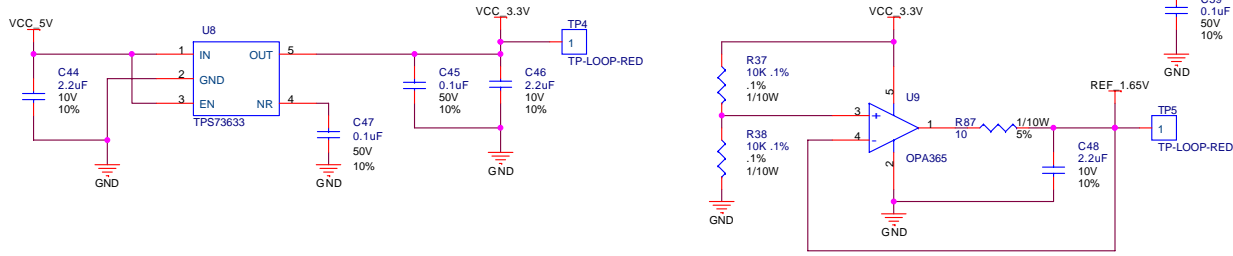
DIMM Socket - Connectors - Switches

Size	CAGE Code	DWG NO	Rev
Custom	3V6D5	<Doc>	I D1

Friday, January 20, 2012

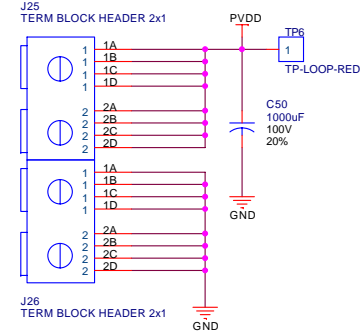
Sheet 5 of 7

### 3.3V Voltage Regulator, 1.65V Reference Voltage

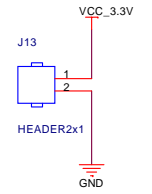


### MAIN POWER IN

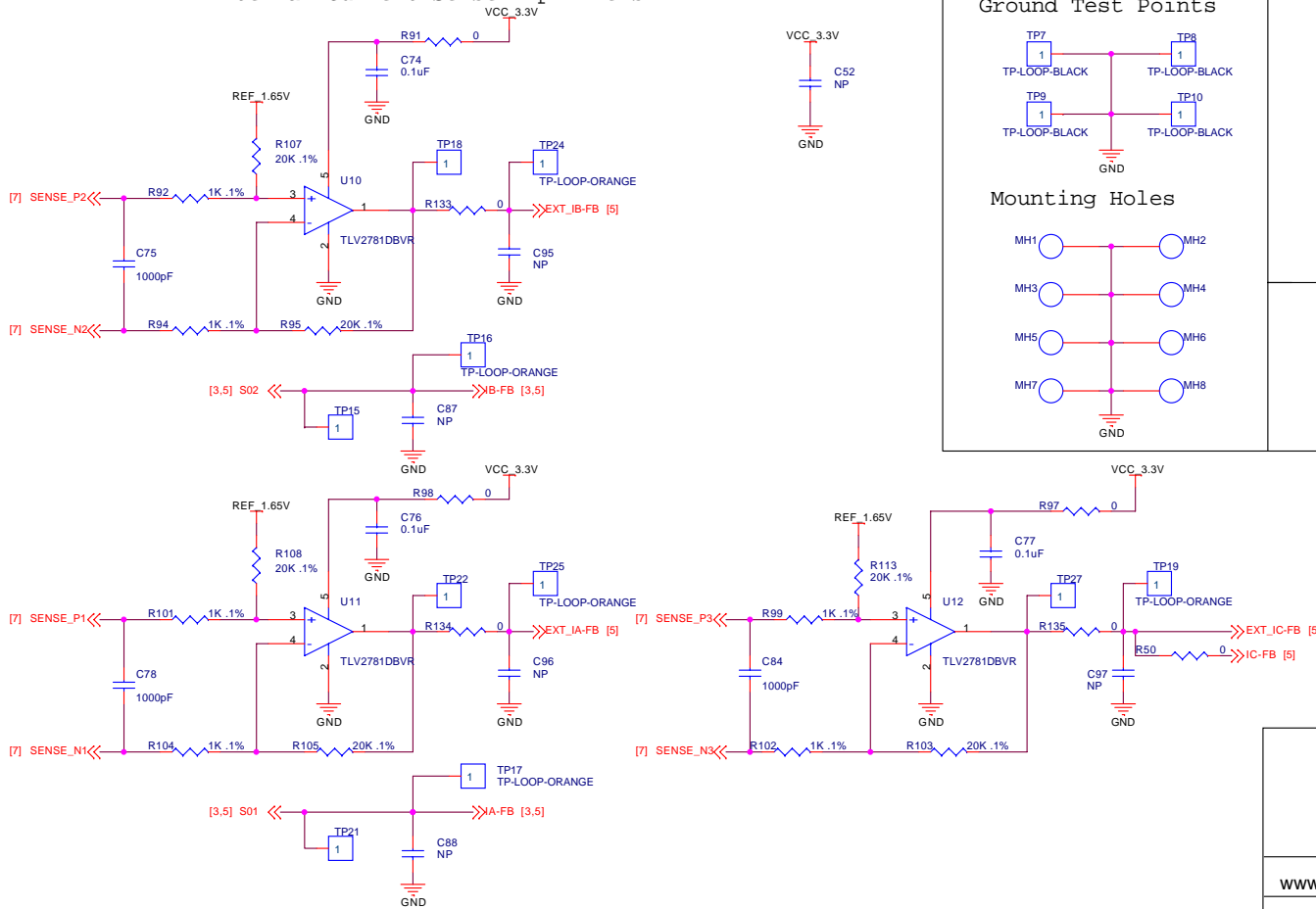
PVDD  
 NOM = 48V  
 MAX = 60V



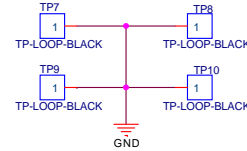
### User Power Access



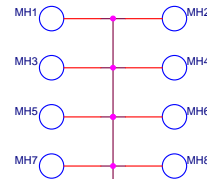
### External Current Sense Amplifiers



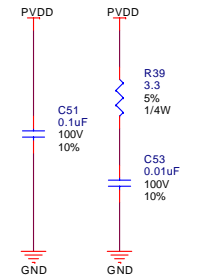
### Ground Test Points



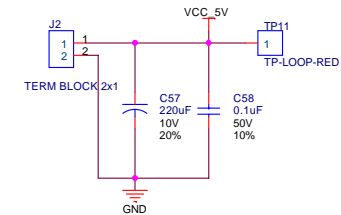
### Mounting Holes



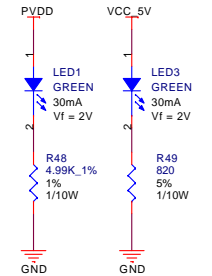
### EMI Snubber



### 5V Output



### Power Indicator LEDs



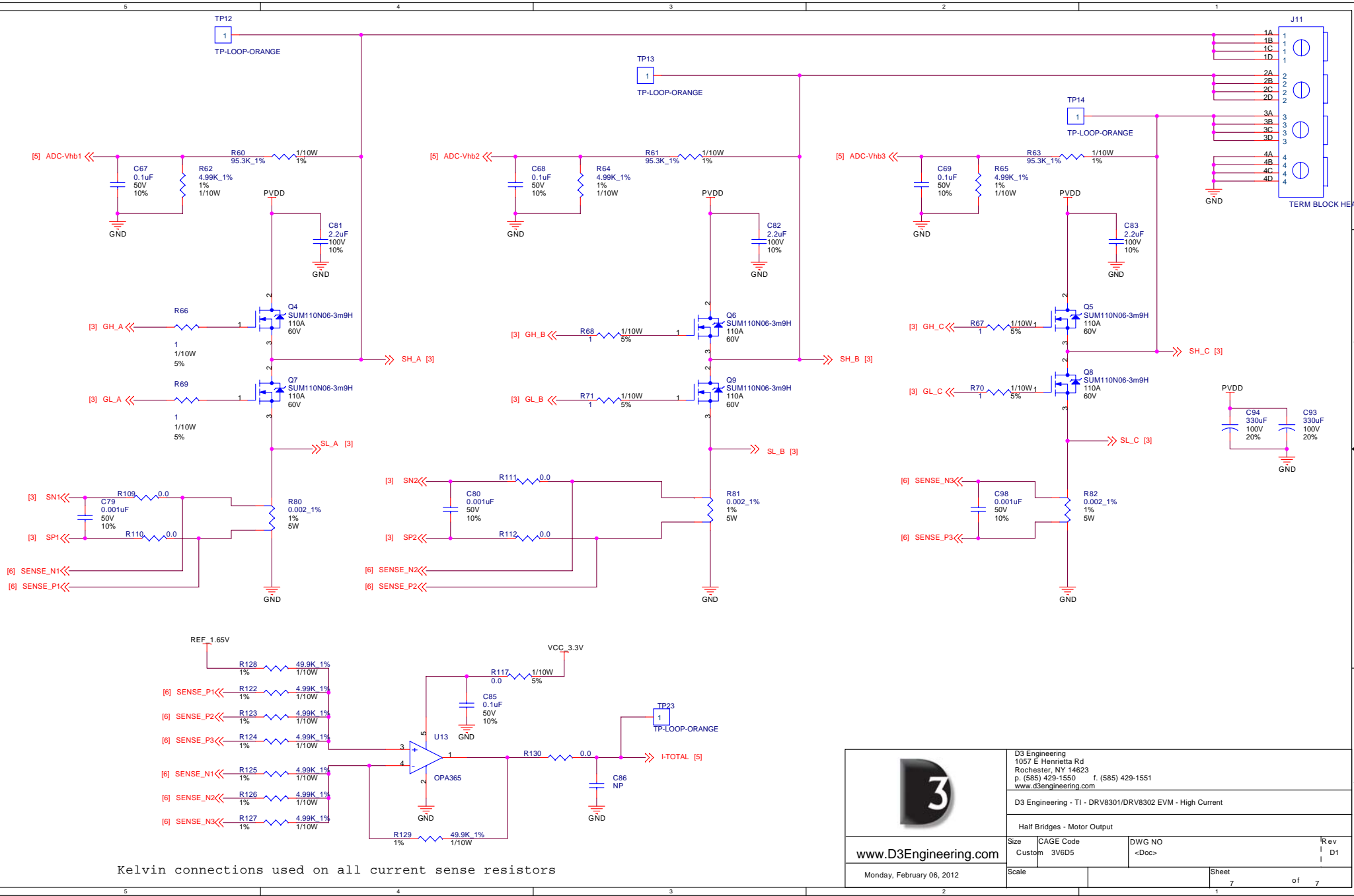
D3 Engineering  
 1057 E Henrietta Rd  
 Rochester, NY 14623  
 p. (585) 429-1550 f. (585) 429-1551  
 www.d3engineering.com

D3 Engineering - TI - DRV8301/DRV8302 EVM - High Current

Power Input - Voltage Regulators - Current Sense Amplifiers

www.D3Engineering.com

Size	CAGE Code	DWG NO	Rev
Custom	3V6D5	<Doc>	I D1



Kelvin connections used on all current sense resistors

	D3 Engineering 1057 E Henrietta Rd Rochester, NY 14623 p. (585) 429-1550 f. (585) 429-1551 <a href="http://www.d3engineering.com">www.d3engineering.com</a>		
	D3 Engineering - TI - DRV8301/DRV8302 EVM - High Current		
Half Bridges - Motor Output			
<a href="http://www.D3Engineering.com">www.D3Engineering.com</a>	Size Custom Scale	CAGE Code 3V6D5 DWG NO <Doc>	Rev I D1 Sheet 7 of 7
Monday, February 06, 2012			

## IMPORTANT NOTICE

Texas Instruments Incorporated and its subsidiaries (TI) reserve the right to make corrections, enhancements, improvements and other changes to its semiconductor products and services per JESD46, latest issue, and to discontinue any product or service per JESD48, latest issue. Buyers should obtain the latest relevant information before placing orders and should verify that such information is current and complete. All semiconductor products (also referred to herein as "components") are sold subject to TI's terms and conditions of sale supplied at the time of order acknowledgment.

TI warrants performance of its components to the specifications applicable at the time of sale, in accordance with the warranty in TI's terms and conditions of sale of semiconductor products. Testing and other quality control techniques are used to the extent TI deems necessary to support this warranty. Except where mandated by applicable law, testing of all parameters of each component is not necessarily performed.

TI assumes no liability for applications assistance or the design of Buyers' products. Buyers are responsible for their products and applications using TI components. To minimize the risks associated with Buyers' products and applications, Buyers should provide adequate design and operating safeguards.

TI does not warrant or represent that any license, either express or implied, is granted under any patent right, copyright, mask work right, or other intellectual property right relating to any combination, machine, or process in which TI components or services are used. Information published by TI regarding third-party products or services does not constitute a license to use such products or services or a warranty or endorsement thereof. Use of such information may require a license from a third party under the patents or other intellectual property of the third party, or a license from TI under the patents or other intellectual property of TI.

Reproduction of significant portions of TI information in TI data books or data sheets is permissible only if reproduction is without alteration and is accompanied by all associated warranties, conditions, limitations, and notices. TI is not responsible or liable for such altered documentation. Information of third parties may be subject to additional restrictions.

Resale of TI components or services with statements different from or beyond the parameters stated by TI for that component or service voids all express and any implied warranties for the associated TI component or service and is an unfair and deceptive business practice. TI is not responsible or liable for any such statements.

Buyer acknowledges and agrees that it is solely responsible for compliance with all legal, regulatory and safety-related requirements concerning its products, and any use of TI components in its applications, notwithstanding any applications-related information or support that may be provided by TI. Buyer represents and agrees that it has all the necessary expertise to create and implement safeguards which anticipate dangerous consequences of failures, monitor failures and their consequences, lessen the likelihood of failures that might cause harm and take appropriate remedial actions. Buyer will fully indemnify TI and its representatives against any damages arising out of the use of any TI components in safety-critical applications.

In some cases, TI components may be promoted specifically to facilitate safety-related applications. With such components, TI's goal is to help enable customers to design and create their own end-product solutions that meet applicable functional safety standards and requirements. Nonetheless, such components are subject to these terms.

No TI components are authorized for use in FDA Class III (or similar life-critical medical equipment) unless authorized officers of the parties have executed a special agreement specifically governing such use.

Only those TI components which TI has specifically designated as military grade or "enhanced plastic" are designed and intended for use in military/aerospace applications or environments. Buyer acknowledges and agrees that any military or aerospace use of TI components which have **not** been so designated is solely at the Buyer's risk, and that Buyer is solely responsible for compliance with all legal and regulatory requirements in connection with such use.

TI has specifically designated certain components as meeting ISO/TS16949 requirements, mainly for automotive use. In any case of use of non-designated products, TI will not be responsible for any failure to meet ISO/TS16949.

### Products

Audio	<a href="http://www.ti.com/audio">www.ti.com/audio</a>
Amplifiers	<a href="http://amplifier.ti.com">amplifier.ti.com</a>
Data Converters	<a href="http://dataconverter.ti.com">dataconverter.ti.com</a>
DLP® Products	<a href="http://www.dlp.com">www.dlp.com</a>
DSP	<a href="http://dsp.ti.com">dsp.ti.com</a>
Clocks and Timers	<a href="http://www.ti.com/clocks">www.ti.com/clocks</a>
Interface	<a href="http://interface.ti.com">interface.ti.com</a>
Logic	<a href="http://logic.ti.com">logic.ti.com</a>
Power Mgmt	<a href="http://power.ti.com">power.ti.com</a>
Microcontrollers	<a href="http://microcontroller.ti.com">microcontroller.ti.com</a>
RFID	<a href="http://www.ti-rfid.com">www.ti-rfid.com</a>
OMAP Applications Processors	<a href="http://www.ti.com/omap">www.ti.com/omap</a>
Wireless Connectivity	<a href="http://www.ti.com/wirelessconnectivity">www.ti.com/wirelessconnectivity</a>

### Applications

Automotive and Transportation	<a href="http://www.ti.com/automotive">www.ti.com/automotive</a>
Communications and Telecom	<a href="http://www.ti.com/communications">www.ti.com/communications</a>
Computers and Peripherals	<a href="http://www.ti.com/computers">www.ti.com/computers</a>
Consumer Electronics	<a href="http://www.ti.com/consumer-apps">www.ti.com/consumer-apps</a>
Energy and Lighting	<a href="http://www.ti.com/energy">www.ti.com/energy</a>
Industrial	<a href="http://www.ti.com/industrial">www.ti.com/industrial</a>
Medical	<a href="http://www.ti.com/medical">www.ti.com/medical</a>
Security	<a href="http://www.ti.com/security">www.ti.com/security</a>
Space, Avionics and Defense	<a href="http://www.ti.com/space-avionics-defense">www.ti.com/space-avionics-defense</a>
Video and Imaging	<a href="http://www.ti.com/video">www.ti.com/video</a>

### TI E2E Community

[e2e.ti.com](http://e2e.ti.com)