
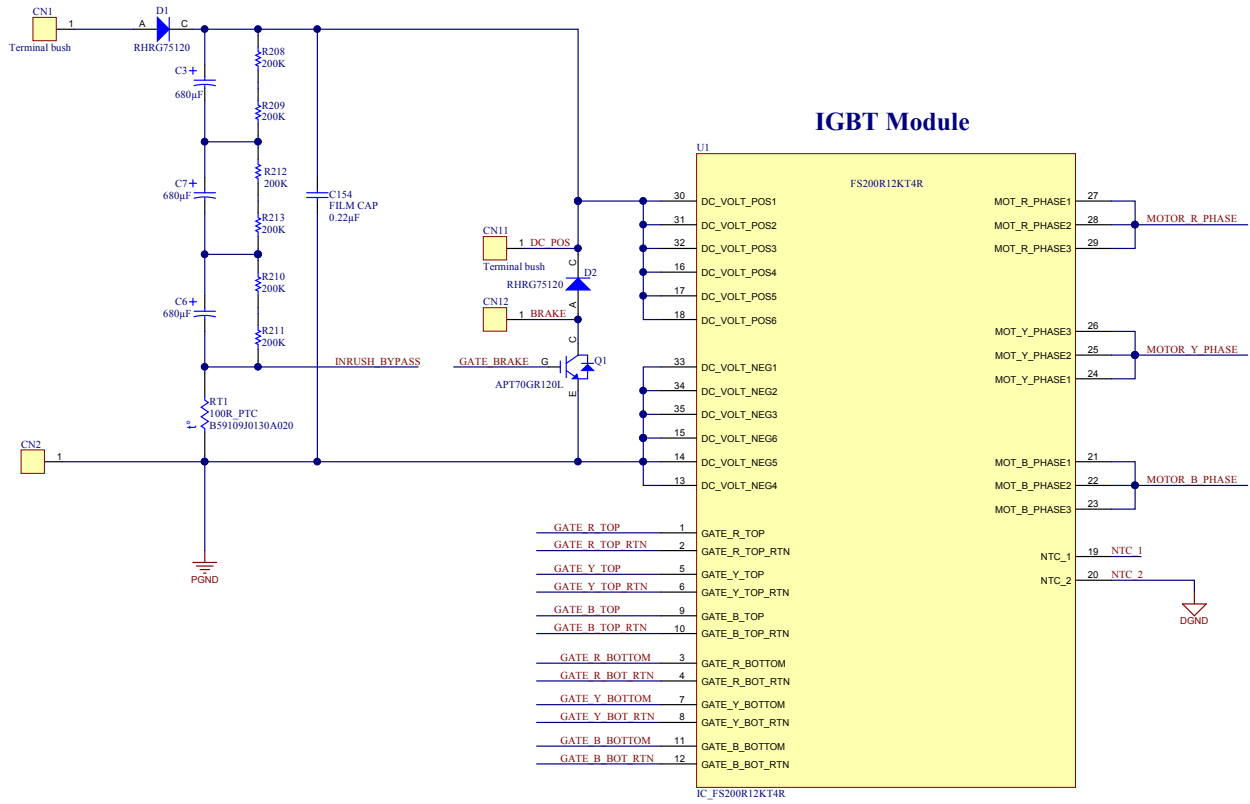


Texas Instruments and/or its licensors do not warrant the accuracy or completeness of this specification or any information contained therein. Texas Instruments and/or its licensors do not warrant that this design will meet the specifications, will be suitable for your application or fit for any particular purpose, or will operate in an implementation. Texas Instruments and/or its licensors do not warrant that the design is production worthy. You should completely validate and test your design implementation to confirm the system functionality for your application.

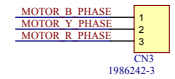
Designed for	Mod. Date	3/23/2015
Project Title	Isolated IGBT Gate Driver Evaluation Platform	
Number: TIDA-00195	Rev: E1	Sheet Title: BLOCK DIAGRAM
SVN Rev: Not in version control	Assembly Variant: Variant name not interpreted	Sheet 1 of 14
Drawn By:	File: FRONT PAGE_SchDoc	Size: B
Engineer:	Contact: http://www.ti.com/support	http://www.ti.com



 © Texas Instruments 2015



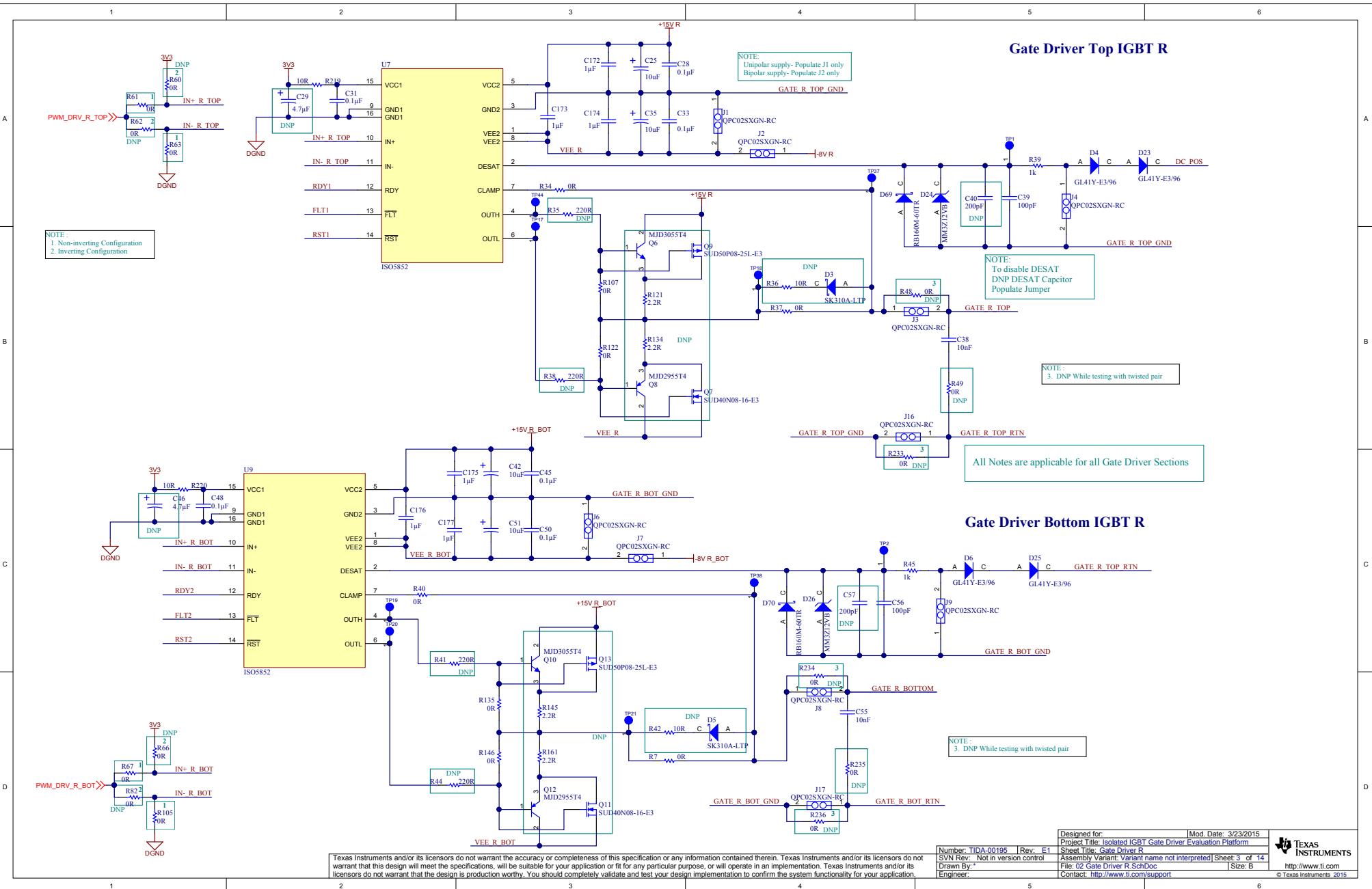
Motor connector



Texas Instruments and/or its licensors do not warrant the accuracy or completeness of this specification or any information contained therein. Texas Instruments and/or its licensors do not warrant that this design will meet the specifications, will be suitable for your application or fit for any particular purpose, or will operate in an implementation. Texas Instruments and/or its licensors do not warrant that the design is production worthy. You should completely validate and test your design implementation to confirm the system functionality for your application.

Designed for:	Mod. Date:	3/23/2015
Project Title:	Isolated IGBT Gate Driver Evaluation Platform	
Number:	TIDA-00195	Rev: E1
SVN Rev:	Not in version control	
Drawn By:	Assembly Variant:	Variant name not interpreted
Engineer:	File:	01_IGBT_MODULE_SchDoc
	Contact:	http://www.ti.com/support
	Sheet:	2 of 14
	Size:	B
	http://www.ti.com	
	© Texas Instruments 2015	

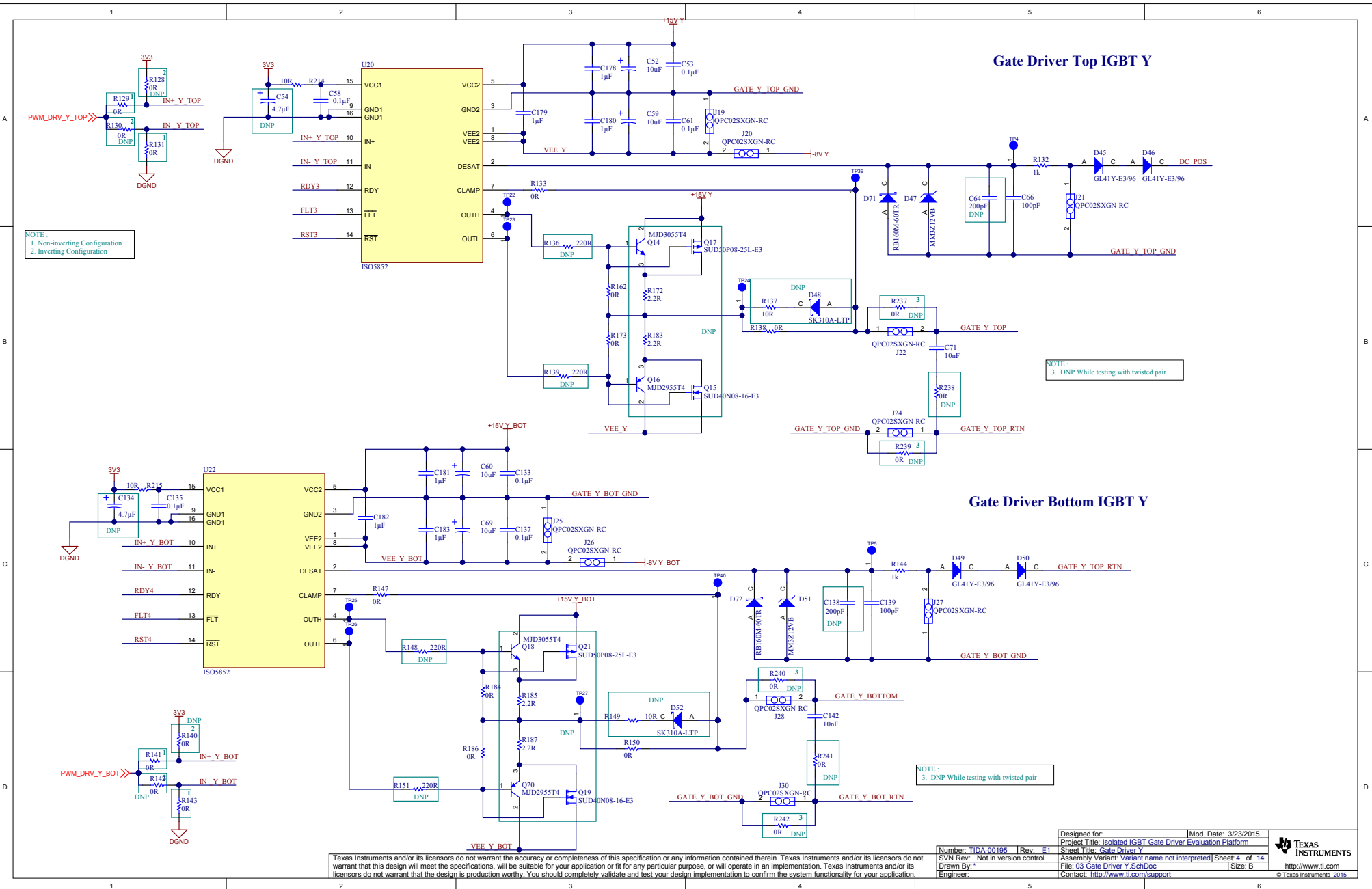




Texas Instruments and/or its licensors do not warrant the accuracy or completeness of this specification or any information contained therein. Texas Instruments and/or its licensors do not warrant that this design will meet the specifications, will be suitable for your application or fit for any particular purpose, or will operate in an implementation. Texas Instruments and/or its licensors do not warrant that the design is production worthy. You should completely validate and test your design implementation to confirm the system functionality for your application.

Designed for:	Mod. Date:	3/23/2015
Project Title:	Isolated IGBT Gate Driver Evaluation Platform	
Number: TIDA-00195	Rev: E1	Sheet Title: Gate Driver R
SVN Rev: Not in version control	Assembly Variant: Variant name not interpreted	Sheet 3 of 14
Drawn By:	File: 02_Gate Driver R_SchDoc	Size: B
Engineer:	Contact: http://www.ti.com/support	





NOTE:
 1. Non-inverting Configuration
 2. Inverting Configuration

NOTE:
 3. DNP While testing with twisted pair

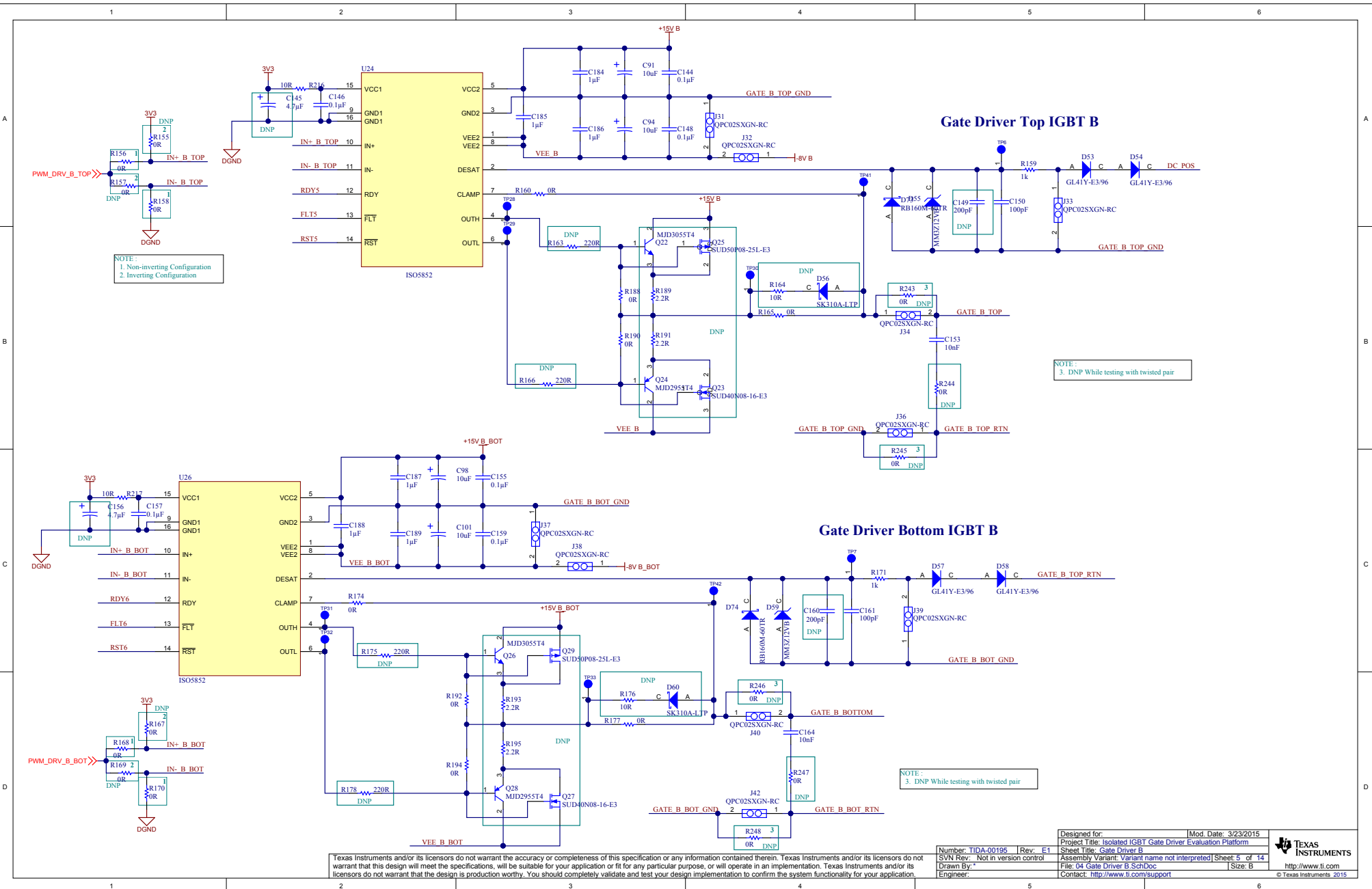
NOTE:
 3. DNP While testing with twisted pair

Texas Instruments and/or its licensors do not warrant the accuracy or completeness of this specification or any information contained therein. Texas Instruments and/or its licensors do not warrant that this design will meet the specifications, will be suitable for your application or fit for any particular purpose, or will operate in an implementation. Texas Instruments and/or its licensors do not warrant that the design is production worthy. You should completely validate and test your design implementation to confirm the system functionality for your application.

Designed for:	Mod. Date:	3/23/2015
Project Title:	Isolated IGBT Gate Driver Evaluation Platform	
Number: TIDA-00195	Rev: E1	Sheet Title: Gate Driver Y
SVN Rev: Not in version control	Assembly Variant: Variant name not interpreted	Sheet: 4 of 14
Drawn By:	File: 03 Gate Driver Y_SchDoc	Size: B
Engineer:	Contact: http://www.ti.com/support	



http://www.ti.com
 © Texas Instruments 2015



NOTE:
 1. Non-inverting Configuration
 2. Inverting Configuration

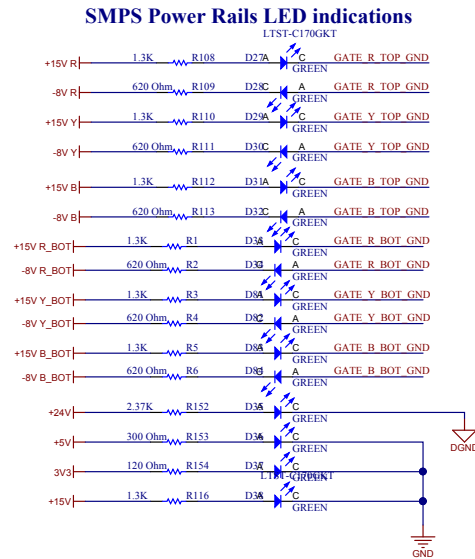
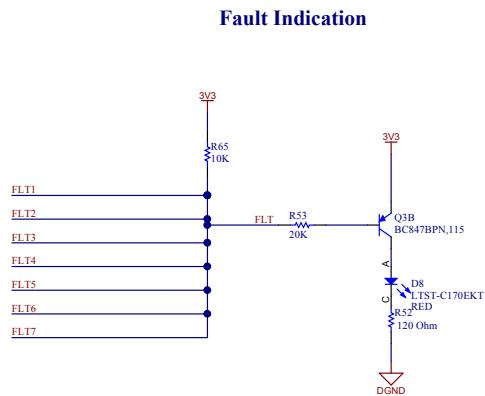
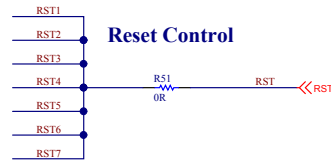
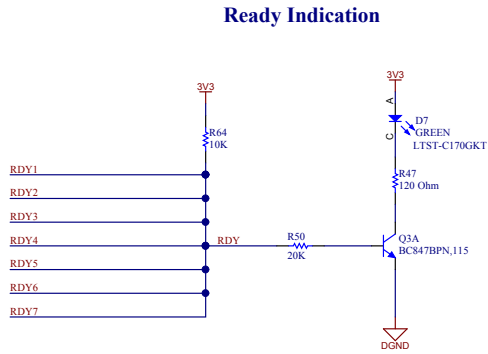
NOTE:
 3. DNP While testing with twisted pair

NOTE:
 3. DNP While testing with twisted pair

Texas Instruments and/or its licensors do not warrant the accuracy or completeness of this specification or any information contained therein. Texas Instruments and/or its licensors do not warrant that this design will meet the specifications, will be suitable for your application or fit for any particular purpose, or will operate in an implementation. Texas Instruments and/or its licensors do not warrant that the design is production worthy. You should completely validate and test your design implementation to confirm the system functionality for your application.

Designed for:	Mod. Date:	3/23/2015
Project Title:	Isolated IGBT Gate Driver Evaluation Platform	
Number: TIDA-00195	Rev:	E1
SVN Rev:	Not in version control	
File:	04 Gate Driver B.SchDoc	
Drawn By:		
Engineer:		
Sheet Title:	Gate Driver B	Sheet 5 of 14
Assembly Variant:	Variant name not interpreted	
Contact:	http://www.ti.com/support	
Size:	B	
© Texas Instruments 2015		

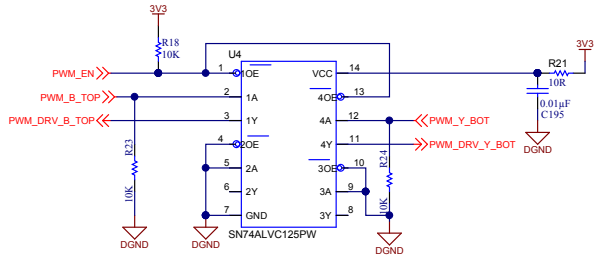
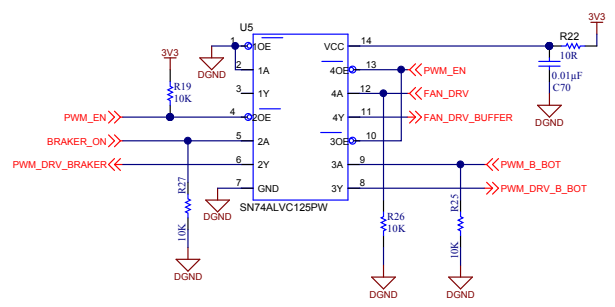
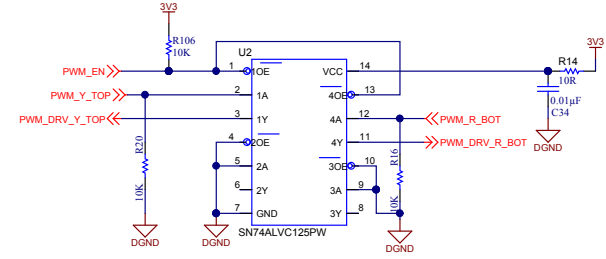
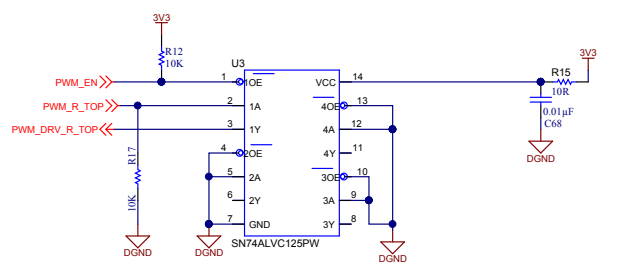




Texas Instruments and/or its licensors do not warrant the accuracy or completeness of this specification or any information contained therein. Texas Instruments and/or its licensors do not warrant that this design will meet the specifications, will be suitable for your application or fit for any particular purpose, or will operate in an implementation. Texas Instruments and/or its licensors do not warrant that the design is production worthy. You should completely validate and test your design implementation to confirm the system functionality for your application.

Designed for:	Mod. Date:	3/23/2015
Project Title:	Isolated IGBT Gate Driver Evaluation Platform	
Number:	TIDA-00195	Rev. E1
SVN Rev.:	Not in version control	
Drawn By:	Assembly Variant:	Variant name not interpreted
Engineer:	File:	06_LED Indicators_SchDoc
	Sheet:	7 of 14
	Size:	B
	URL:	http://www.ti.com
	Copyright:	© Texas Instruments 2015

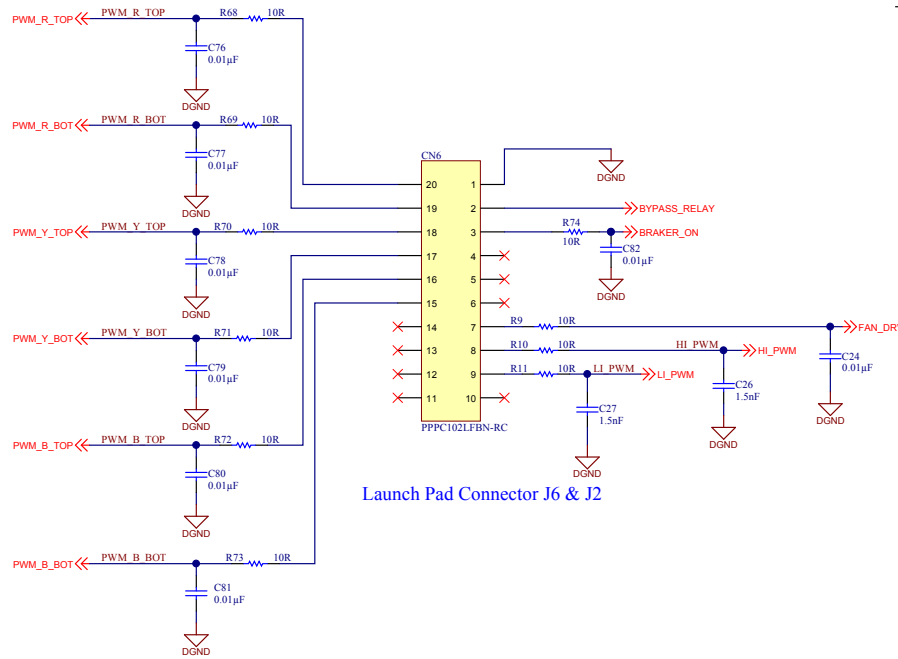
GATE_DRIVER_BUFFER



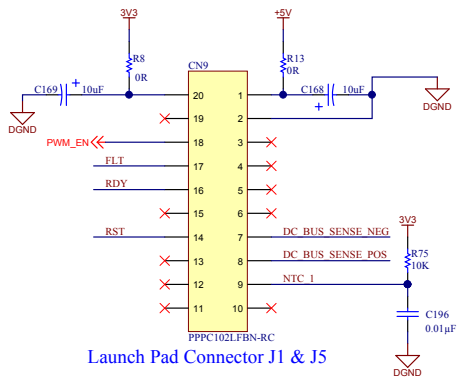
Texas Instruments and/or its licensors do not warrant the accuracy or completeness of this specification or any information contained therein. Texas Instruments and/or its licensors do not warrant that this design will meet the specifications, will be suitable for your application or fit for any particular purpose, or will operate in an implementation. Texas Instruments and/or its licensors do not warrant that the design is production worthy. You should completely validate and test your design implementation to confirm the system functionality for your application.

Designed for:	Mod. Date:	3/23/2015
Project Title:	Isolated IGBT Gate Driver Evaluation Platform	
Number:	TIDA-00195	Rev: E1
Sheet Title:	Gate Driver Buffer	
SVN Rev.:	Not in version control	
Assembly Variant:	Variant name not interpreted	
File:	07_Gate_Driver_Buffer_SchDoc	Sheet 8 of 14
Drawn By:		Size: B
Engineer:		http://www.ti.com
Contact:	http://www.ti.com/support	

© Texas Instruments 2015



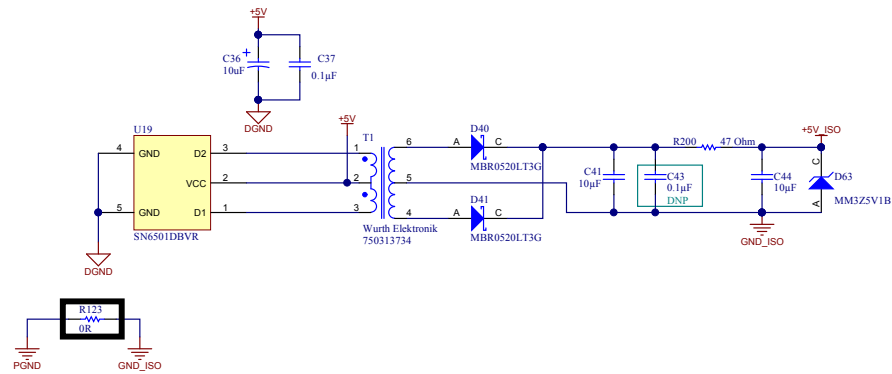
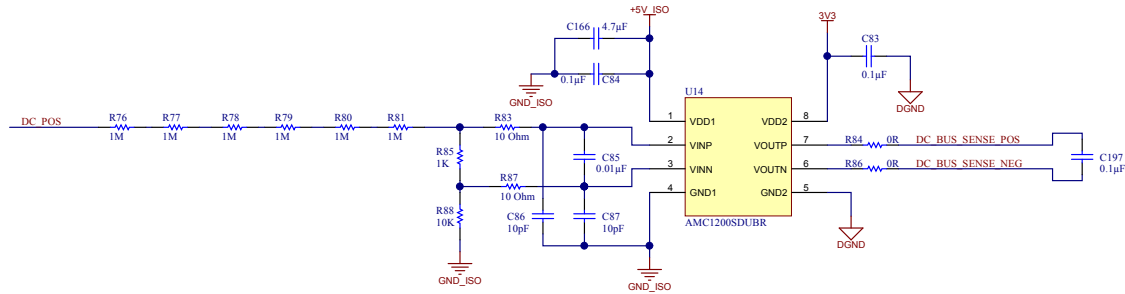
From Launch Pad



Texas Instruments and/or its licensors do not warrant the accuracy or completeness of this specification or any information contained therein. Texas Instruments and/or its licensors do not warrant that this design will meet the specifications, will be suitable for your application or fit for any particular purpose, or will operate in an implementation. Texas Instruments and/or its licensors do not warrant that the design is production worthy. You should completely validate and test your design implementation to confirm the system functionality for your application.

Designed for	Mod. Date: 3/23/2015	
Project Title: Isolated IGBT Gate Driver Evaluation Platform	Sheet Title: Board to Board Connectors	
Number: TIDA-00195 Rev: E1	Assembly Variant: Variant name not interpreted	Sheet 9 of 14
SVN Rev: Not in version control	File: 06 Board to Board Connectors.SchDoc	Size: B
Drawn By:	Contact: http://www.ti.com/support	http://www.ti.com
Engineer:		© Texas Instruments 2015

DC BUS VOLTAGE SENSING

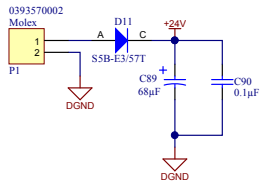
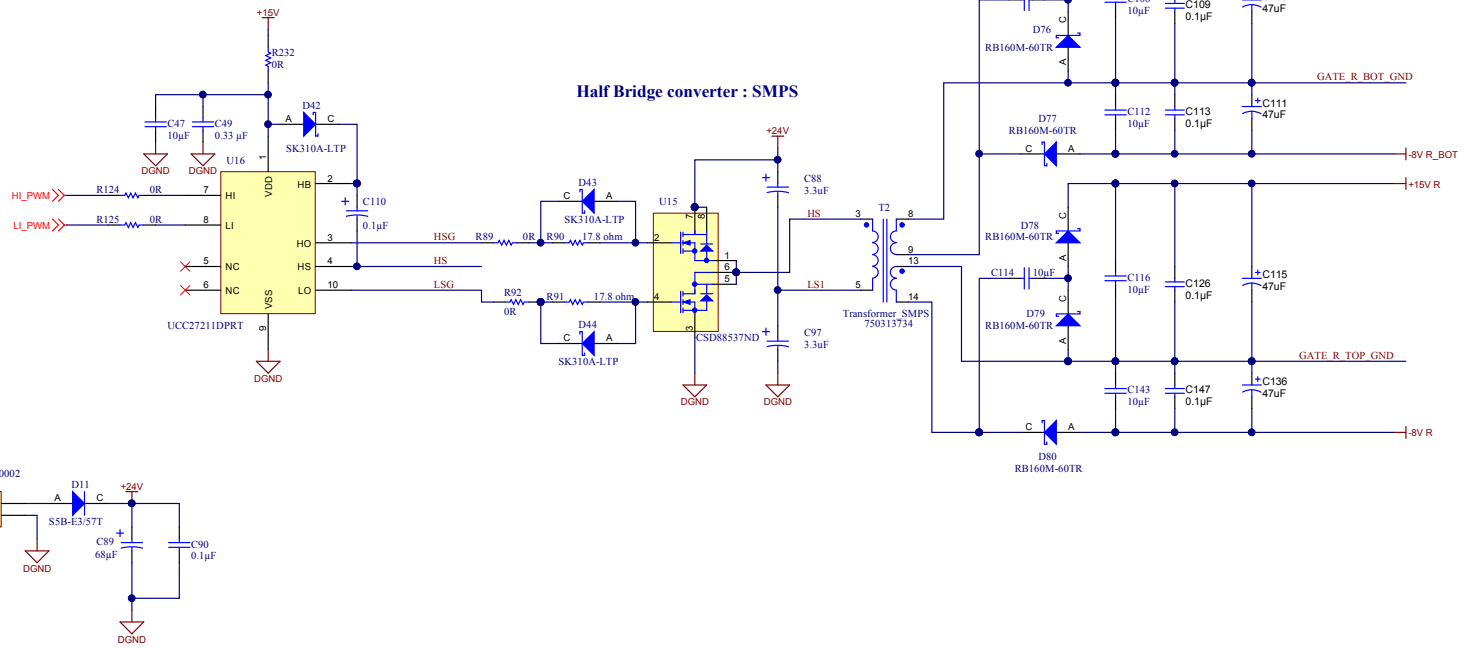


Texas Instruments and/or its licensors do not warrant the accuracy or completeness of this specification or any information contained therein. Texas Instruments and/or its licensors do not warrant that this design will meet the specifications, will be suitable for your application or fit for any particular purpose, or will operate in an implementation. Texas Instruments and/or its licensors do not warrant that the design is production worthy. You should completely validate and test your design implementation to confirm the system functionality for your application.

Designed for:	Mod. Date:	3/23/2015
Project Title:	Isolated IGBT Gate Driver Evaluation Platform	
Number:	TIDA-00195	Rev: E1
SVN Rev:	Not in version control	
Drawn By:	Assembly Variant:	Variant name not interpreted
Engineer:	File:	09 DC BUS Voltage Sensing_SchDoc
	Sheet:	10 of 14
	Contact:	http://www.ti.com/support
	Size:	B
	© Texas Instruments 2015	



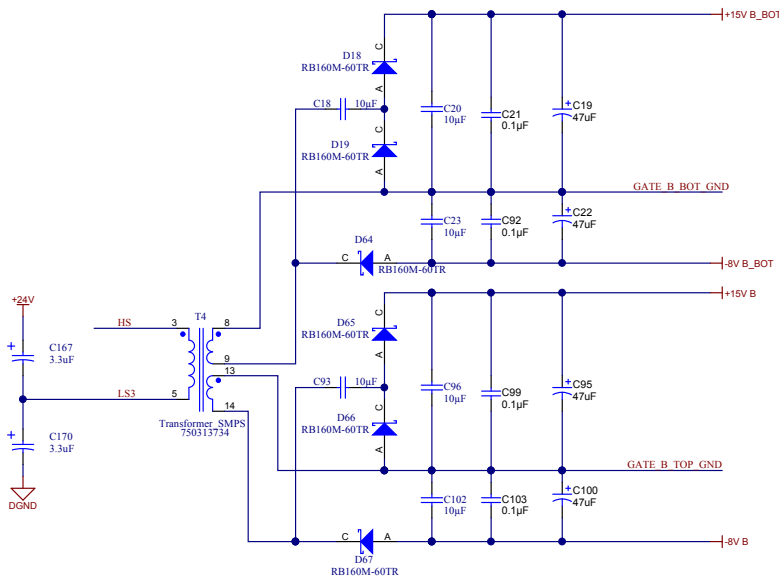
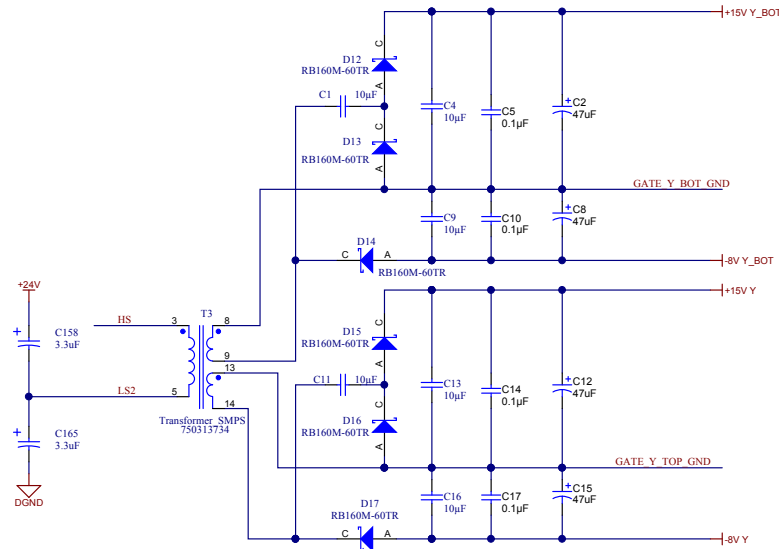
<http://www.ti.com>



Texas Instruments and/or its licensors do not warrant the accuracy or completeness of this specification or any information contained therein. Texas Instruments and/or its licensors do not warrant that this design will meet the specifications, will be suitable for your application or fit for any particular purpose, or will operate in an implementation. Texas Instruments and/or its licensors do not warrant that the design is production worthy. You should completely validate and test your design implementation to confirm the system functionality for your application.

Designed for:	Mod. Date:	3/23/2015
Project Title:	Isolated IGBT Gate Driver Evaluation Platform	
Number: TIDA-00195	Rev: E1	Sheet Title:
SVN Rev: Not in version control	Assembly Variant: Variant name not interpreted	Sheet 11 of 14
Drawn By:	File: 10 Half Bridge SMPS - 1.SchDoc	Size: B
Engineer:	Contact: http://www.ti.com/support	http://www.ti.com

© Texas Instruments 2015



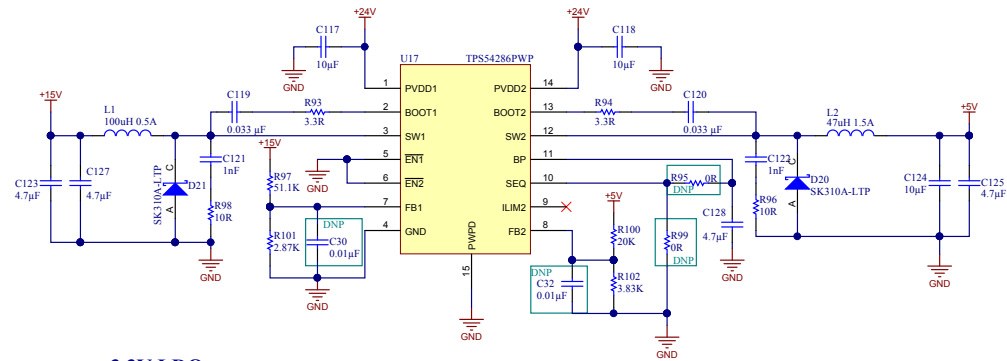
Texas Instruments and/or its licensors do not warrant the accuracy or completeness of this specification or any information contained therein. Texas Instruments and/or its licensors do not warrant that this design will meet the specifications, will be suitable for your application or fit for any particular purpose, or will operate in an implementation. Texas Instruments and/or its licensors do not warrant that the design is production worthy. You should completely validate and test your design implementation to confirm the system functionality for your application.

Designed for:	Mod. Date:	3/23/2015
Project Title:	Isolated IGBT Gate Driver Evaluation Platform	
Number: TIDA-00195	Rev: E1	Sheet Title:
SVN Rev: Not in version control	Assembly Variant: Variant name not interpreted	Sheet: 12 of 14
Drawn By:	File: 11 Half Bridge SMPS_2_SchDoc	Size: B
Engineer:	Contact: http://www.ti.com/support	http://www.ti.com

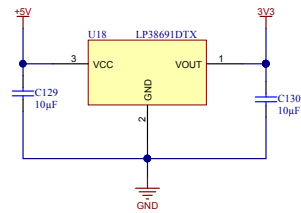


© Texas Instruments 2015

Buck Converter 24V to 15V & 5V

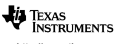


3.3V LDO



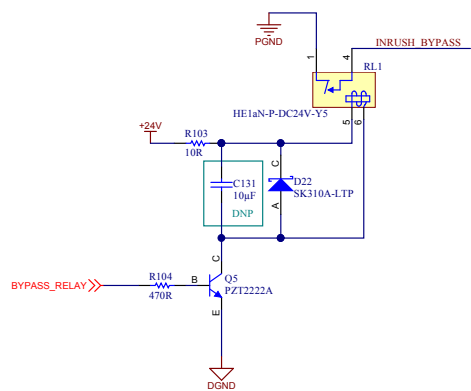
Texas Instruments and/or its licensors do not warrant the accuracy or completeness of this specification or any information contained therein. Texas Instruments and/or its licensors do not warrant that this design will meet the specifications, will be suitable for your application or fit for any particular purpose, or will operate in an implementation. Texas Instruments and/or its licensors do not warrant that the design is production worthy. You should completely validate and test your design implementation to confirm the system functionality for your application.

Number: TIDA-00195	Rev: E1	Designed for: Isolated IGBT Gate Driver Evaluation Platform	Mod. Date: 3/23/2015
SVN Rev: Not in version control	Assembly Variant: Variant name not interpreted	Project Title: Buck converter 24V to 15V 5V	
Drawn By:	File: 12 Buck converter 24V to 15V 5V_SchDoc	Sheet: 13 of 14	Size: B
Engineer:	Contact: http://www.ti.com/support		



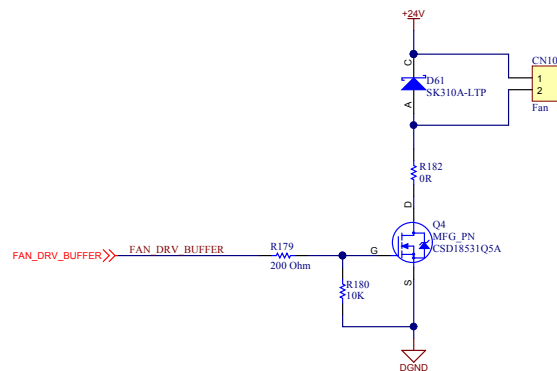
http://www.ti.com
© Texas Instruments 2015

Inrush Bypass Relay : Drive Circuit



- ⊕
H1
- ⊕
H2
- ⊕
H3
- ⊕
H4
- ⊕
H5
- ⊕
H6
- ⊕
H7
- ⊕
H8

Fan Driver Circuit



Texas Instruments and/or its licensors do not warrant the accuracy or completeness of this specification or any information contained therein. Texas Instruments and/or its licensors do not warrant that this design will meet the specifications, will be suitable for your application or fit for any particular purpose, or will operate in an implementation. Texas Instruments and/or its licensors do not warrant that the design is production worthy. You should completely validate and test your design implementation to confirm the system functionality for your application.

Designed for	Mod. Date	3/23/2015
Project Title: Isolated IGBT Gate Driver Evaluation Platform		
Number: TIDA-00195	Rev: E1	Sheet Title: Inrush Relay
SVN Rev: Not in version control	Assembly Variant: Variant name not interpreted	Sheet: 14 of 14
Drawn By:	File: 13 Inrush_Relay & Fan Driver_SchDoc	Size: B
Engineer:	Contact: http://www.ti.com/support	http://www.ti.com



© Texas Instruments 2015

IMPORTANT NOTICE FOR TI REFERENCE DESIGNS

Texas Instruments Incorporated ("TI") reference designs are solely intended to assist designers ("Buyers") who are developing systems that incorporate TI semiconductor products (also referred to herein as "components"). Buyer understands and agrees that Buyer remains responsible for using its independent analysis, evaluation and judgment in designing Buyer's systems and products.

TI reference designs have been created using standard laboratory conditions and engineering practices. **TI has not conducted any testing other than that specifically described in the published documentation for a particular reference design.** TI may make corrections, enhancements, improvements and other changes to its reference designs.

Buyers are authorized to use TI reference designs with the TI component(s) identified in each particular reference design and to modify the reference design in the development of their end products. HOWEVER, NO OTHER LICENSE, EXPRESS OR IMPLIED, BY ESTOPPEL OR OTHERWISE TO ANY OTHER TI INTELLECTUAL PROPERTY RIGHT, AND NO LICENSE TO ANY THIRD PARTY TECHNOLOGY OR INTELLECTUAL PROPERTY RIGHT, IS GRANTED HEREIN, including but not limited to any patent right, copyright, mask work right, or other intellectual property right relating to any combination, machine, or process in which TI components or services are used. Information published by TI regarding third-party products or services does not constitute a license to use such products or services, or a warranty or endorsement thereof. Use of such information may require a license from a third party under the patents or other intellectual property of the third party, or a license from TI under the patents or other intellectual property of TI.

TI REFERENCE DESIGNS ARE PROVIDED "AS IS". TI MAKES NO WARRANTIES OR REPRESENTATIONS WITH REGARD TO THE REFERENCE DESIGNS OR USE OF THE REFERENCE DESIGNS, EXPRESS, IMPLIED OR STATUTORY, INCLUDING ACCURACY OR COMPLETENESS. TI DISCLAIMS ANY WARRANTY OF TITLE AND ANY IMPLIED WARRANTIES OF MERCHANTABILITY, FITNESS FOR A PARTICULAR PURPOSE, QUIET ENJOYMENT, QUIET POSSESSION, AND NON-INFRINGEMENT OF ANY THIRD PARTY INTELLECTUAL PROPERTY RIGHTS WITH REGARD TO TI REFERENCE DESIGNS OR USE THEREOF. TI SHALL NOT BE LIABLE FOR AND SHALL NOT DEFEND OR INDEMNIFY BUYERS AGAINST ANY THIRD PARTY INFRINGEMENT CLAIM THAT RELATES TO OR IS BASED ON A COMBINATION OF COMPONENTS PROVIDED IN A TI REFERENCE DESIGN. IN NO EVENT SHALL TI BE LIABLE FOR ANY ACTUAL, SPECIAL, INCIDENTAL, CONSEQUENTIAL OR INDIRECT DAMAGES, HOWEVER CAUSED, ON ANY THEORY OF LIABILITY AND WHETHER OR NOT TI HAS BEEN ADVISED OF THE POSSIBILITY OF SUCH DAMAGES, ARISING IN ANY WAY OUT OF TI REFERENCE DESIGNS OR BUYER'S USE OF TI REFERENCE DESIGNS.

TI reserves the right to make corrections, enhancements, improvements and other changes to its semiconductor products and services per JESD46, latest issue, and to discontinue any product or service per JESD48, latest issue. Buyers should obtain the latest relevant information before placing orders and should verify that such information is current and complete. All semiconductor products are sold subject to TI's terms and conditions of sale supplied at the time of order acknowledgment.

TI warrants performance of its components to the specifications applicable at the time of sale, in accordance with the warranty in TI's terms and conditions of sale of semiconductor products. Testing and other quality control techniques for TI components are used to the extent TI deems necessary to support this warranty. Except where mandated by applicable law, testing of all parameters of each component is not necessarily performed.

TI assumes no liability for applications assistance or the design of Buyers' products. Buyers are responsible for their products and applications using TI components. To minimize the risks associated with Buyers' products and applications, Buyers should provide adequate design and operating safeguards.

Reproduction of significant portions of TI information in TI data books, data sheets or reference designs is permissible only if reproduction is without alteration and is accompanied by all associated warranties, conditions, limitations, and notices. TI is not responsible or liable for such altered documentation. Information of third parties may be subject to additional restrictions.

Buyer acknowledges and agrees that it is solely responsible for compliance with all legal, regulatory and safety-related requirements concerning its products, and any use of TI components in its applications, notwithstanding any applications-related information or support that may be provided by TI. Buyer represents and agrees that it has all the necessary expertise to create and implement safeguards that anticipate dangerous failures, monitor failures and their consequences, lessen the likelihood of dangerous failures and take appropriate remedial actions. Buyer will fully indemnify TI and its representatives against any damages arising out of the use of any TI components in Buyer's safety-critical applications.

In some cases, TI components may be promoted specifically to facilitate safety-related applications. With such components, TI's goal is to help enable customers to design and create their own end-product solutions that meet applicable functional safety standards and requirements. Nonetheless, such components are subject to these terms.

No TI components are authorized for use in FDA Class III (or similar life-critical medical equipment) unless authorized officers of the parties have executed an agreement specifically governing such use.

Only those TI components that TI has specifically designated as military grade or "enhanced plastic" are designed and intended for use in military/aerospace applications or environments. Buyer acknowledges and agrees that any military or aerospace use of TI components that have **not** been so designated is solely at Buyer's risk, and Buyer is solely responsible for compliance with all legal and regulatory requirements in connection with such use.

TI has specifically designated certain components as meeting ISO/TS16949 requirements, mainly for automotive use. In any case of use of non-designated products, TI will not be responsible for any failure to meet ISO/TS16949.