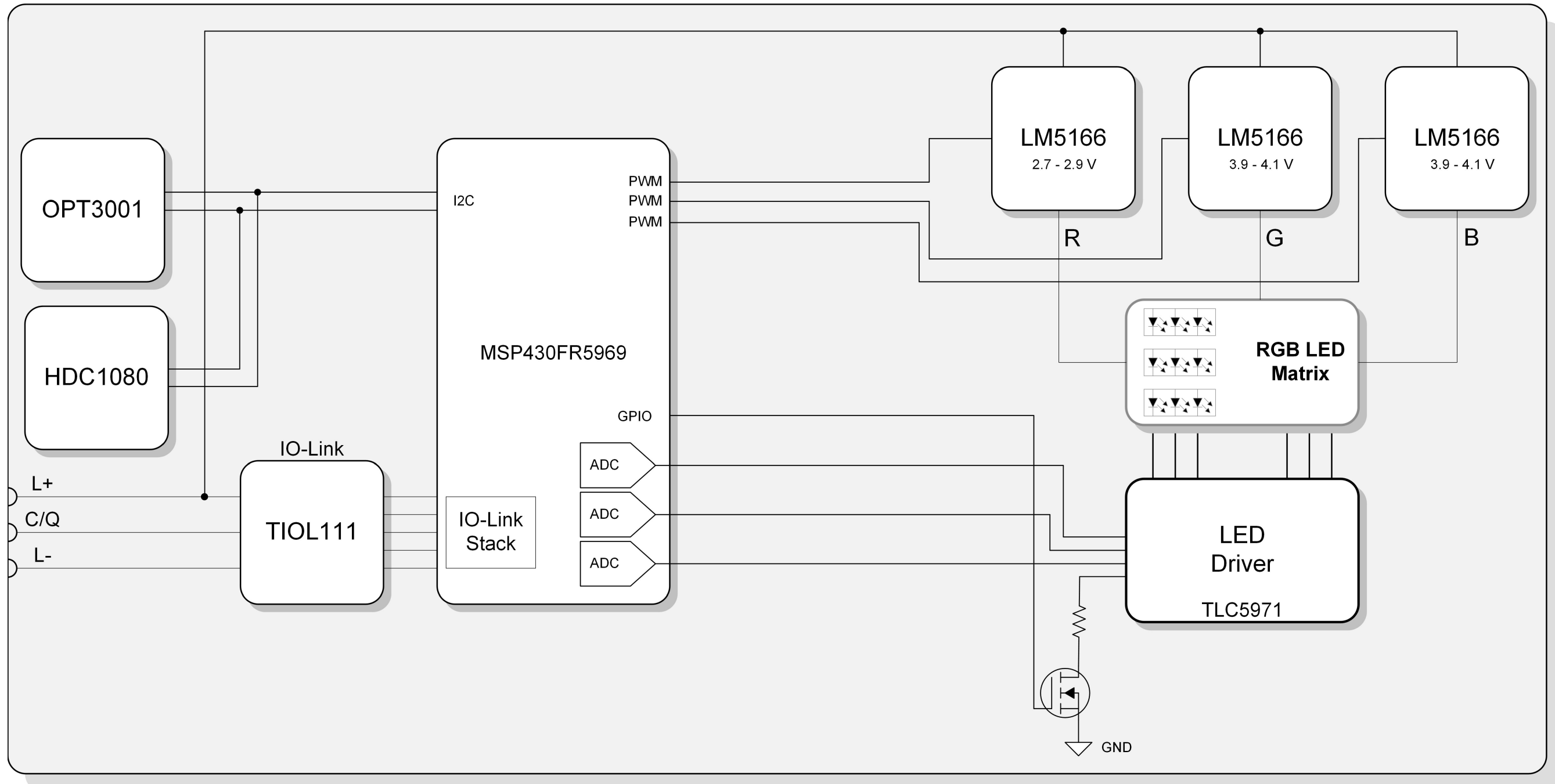


Revision History

Rev	ECN #	Approved Date	Approved by	Notes
N/A	N/A	N/A	N/A	N/A



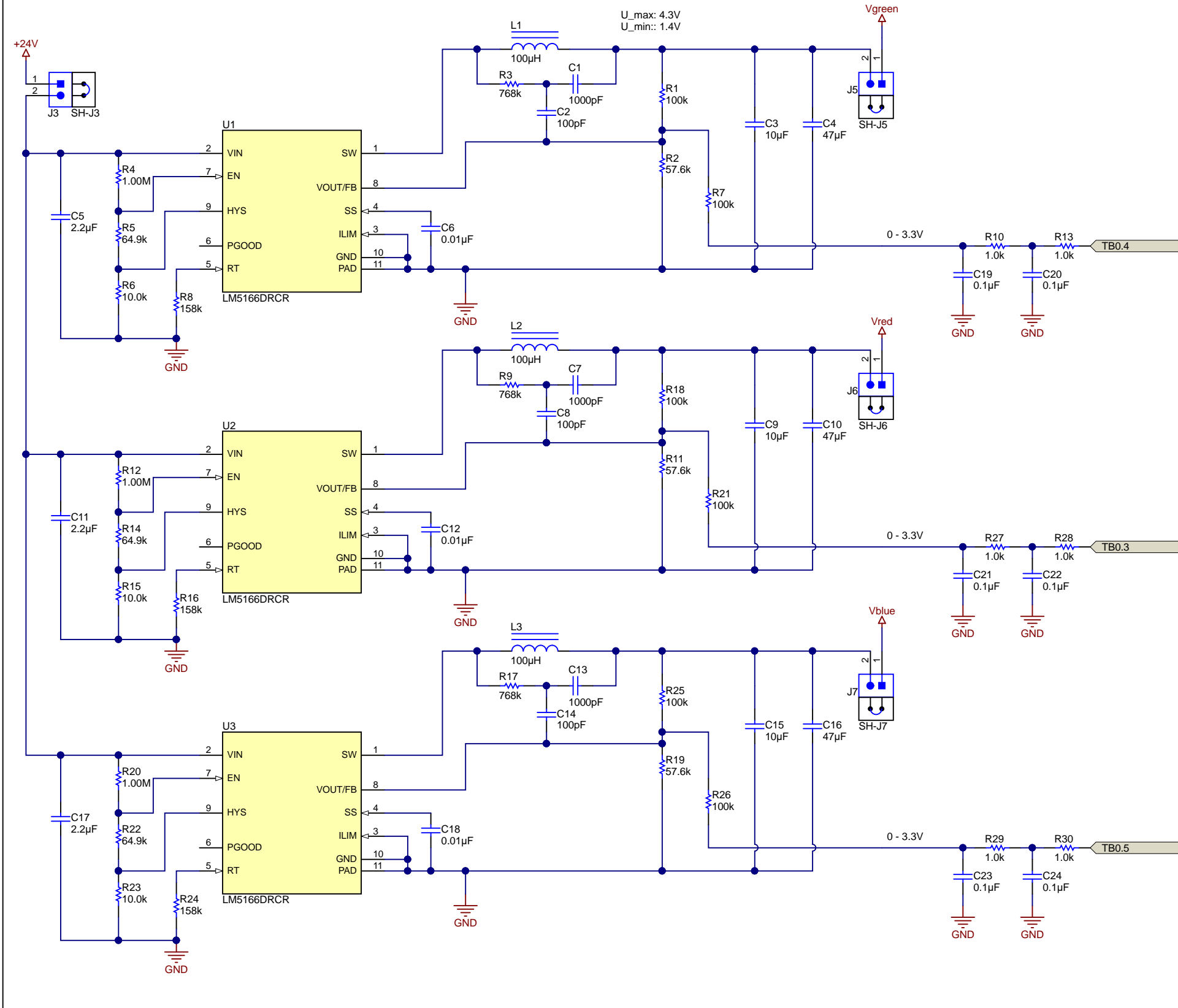
Texas Instruments and/or its licensors do not warrant the accuracy or completeness of this specification or any information contained therein. Texas Instruments and/or its licensors do not warrant that this design will meet the specifications, will be suitable for your application or fit for any particular purpose, or will operate in an implementation. Texas Instruments and/or its licensors do not warrant that the design is production worthy. You should completely validate and test your design implementation to confirm the system functionality for your application.

Orderable: N/A	Designed for: Public Release	Mod. Date: 7/5/2017
TID #: TIDA-01437	Project Title: RGB Signal Light with IO-Link	
Number: TIDA-01437	Rev: E2	Sheet Title: Block Diagram
SVN Rev: Version control disabled	Assembly Variant: 001	Sheet: 1 of 7
Drawn By:	File: TIDA-01437E2_CoverSheet.SchDoc	Size: B
Engineer: SG	Contact: http://www.ti.com/support	

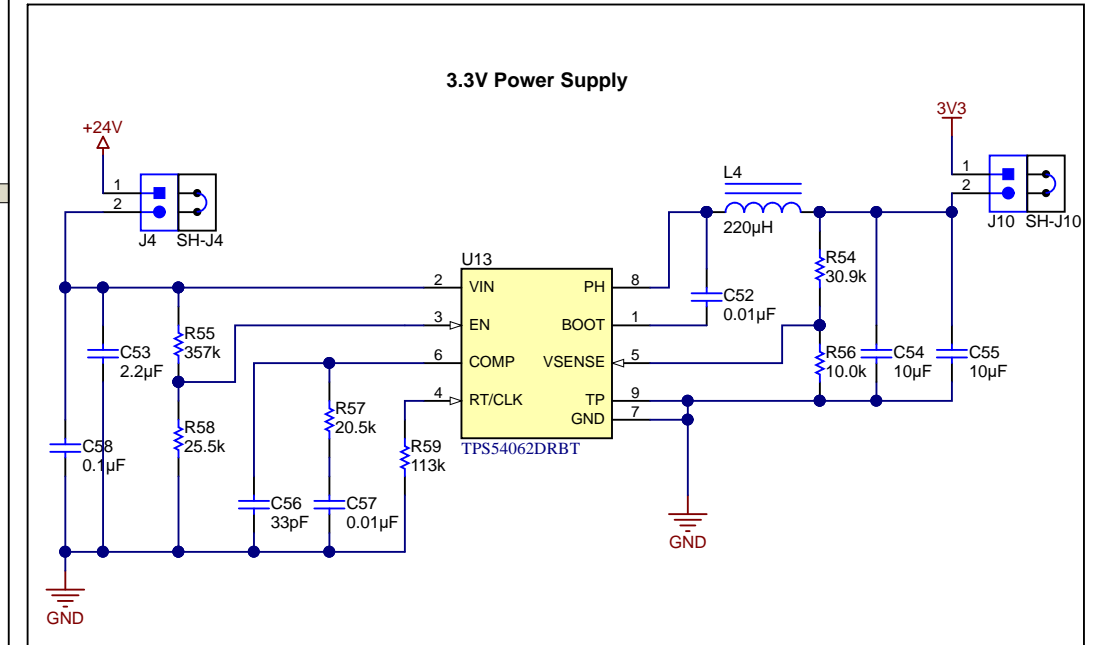


© Texas Instruments 2017

LED Power Supply



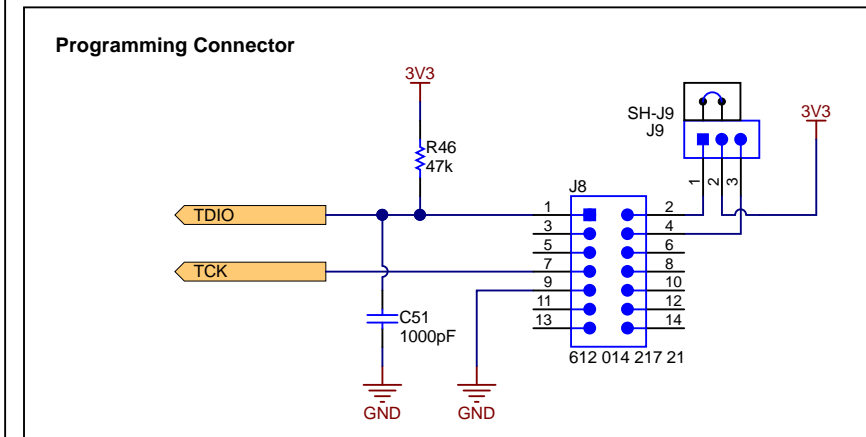
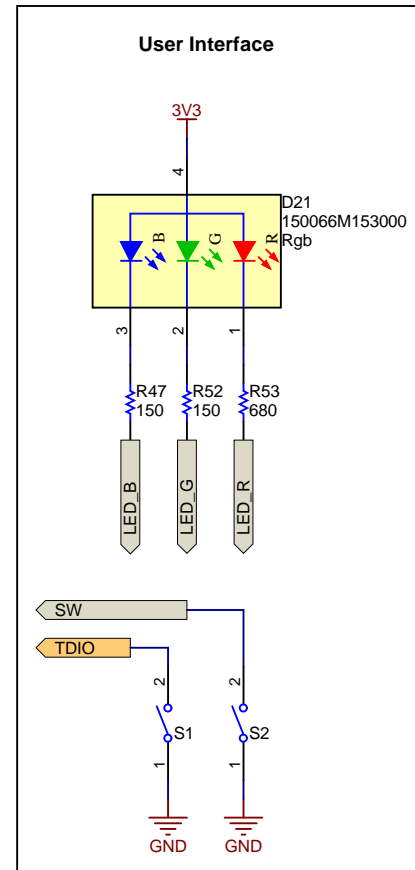
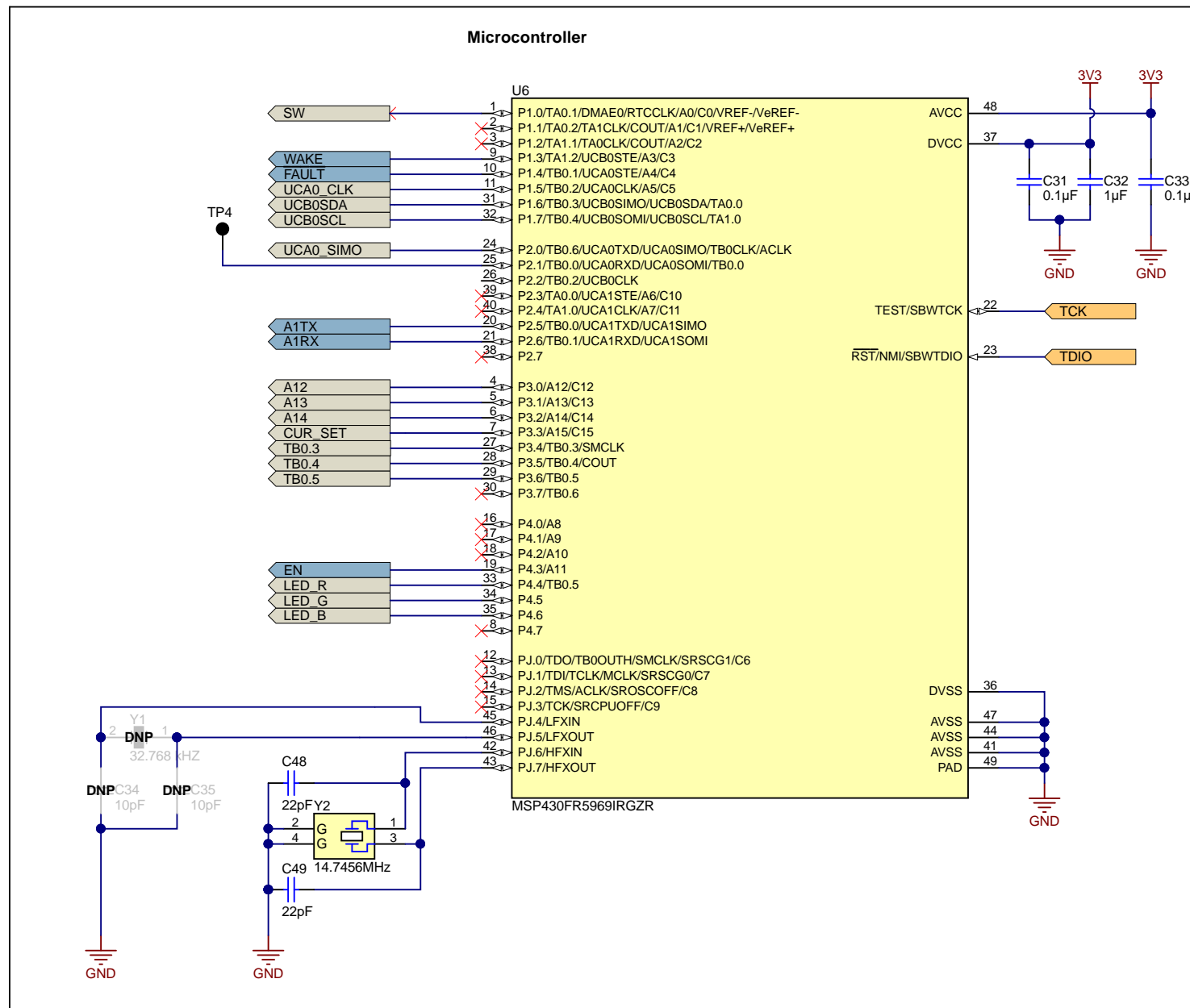
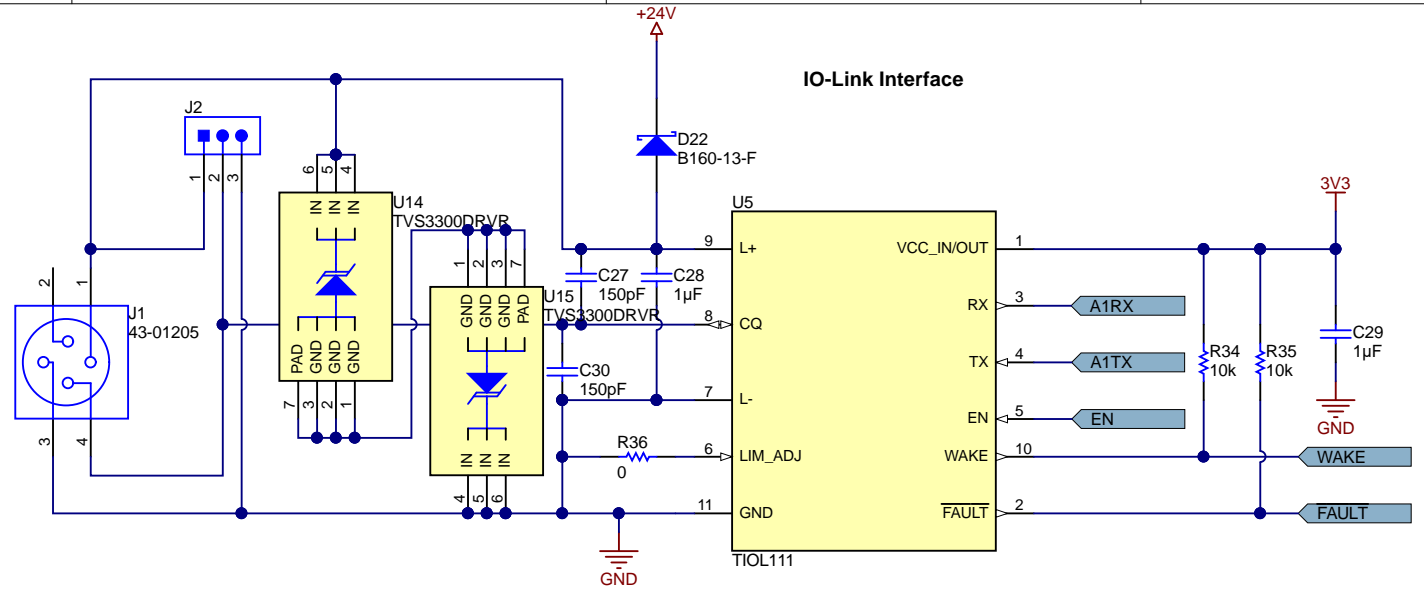
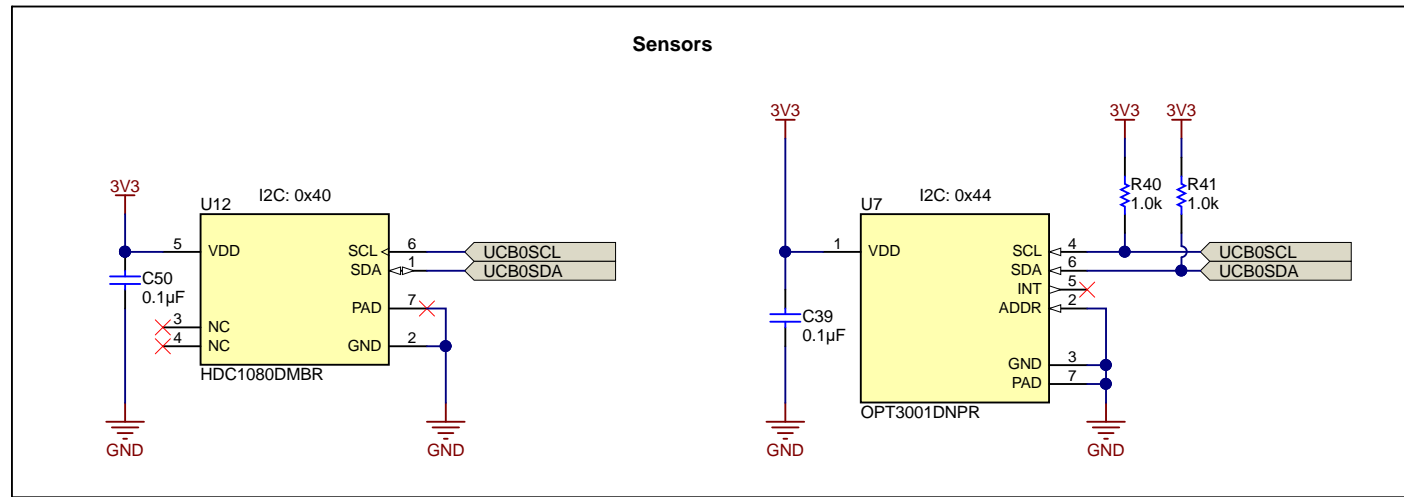
3.3V Power Supply



Orderable: N/A	Designed for: Public Release	Mod. Date: 6/30/2017
TID #: TIDA-01437	Project Title: RGB Signal Light with IO-Link	
Number: TIDA-01437	Rev: E2	Sheet Title: Power Supply
SVN Rev: Version control disabled	Assembly Variant: 001	Sheet: 2 of 7
Drawn By:	File: TIDA-01437E2_Power.SchDoc	Size: B
Engineer: SG	Contact: http://www.ti.com/support	

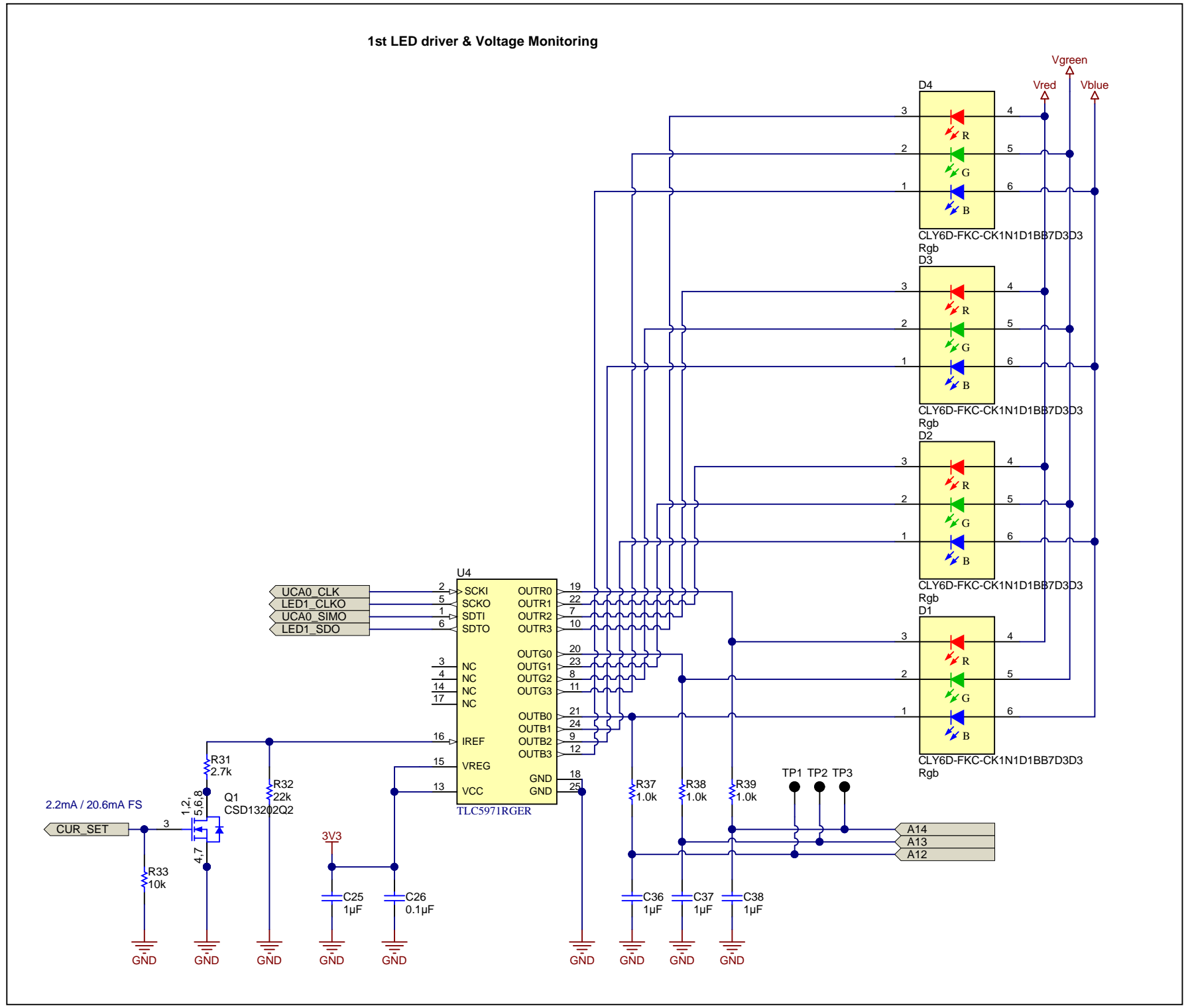
Texas Instruments and/or its licensors do not warrant the accuracy or completeness of this specification or any information contained therein. Texas Instruments and/or its licensors do not warrant that this design will meet the specifications, will be suitable for your application or fit for any particular purpose, or will operate in an implementation. Texas Instruments and/or its licensors do not warrant that the design is production worthy. You should completely validate and test your design implementation to confirm the system functionality for your application.





Texas Instruments and/or its licensors do not warrant the accuracy or completeness of this specification or any information contained therein. Texas Instruments and/or its licensors do not warrant that this design will meet the specifications, will be suitable for your application or fit for any particular purpose, or will operate in an implementation. Texas Instruments and/or its licensors do not warrant that the design is production worthy. You should completely validate and test your design implementation to confirm the system functionality for your application.

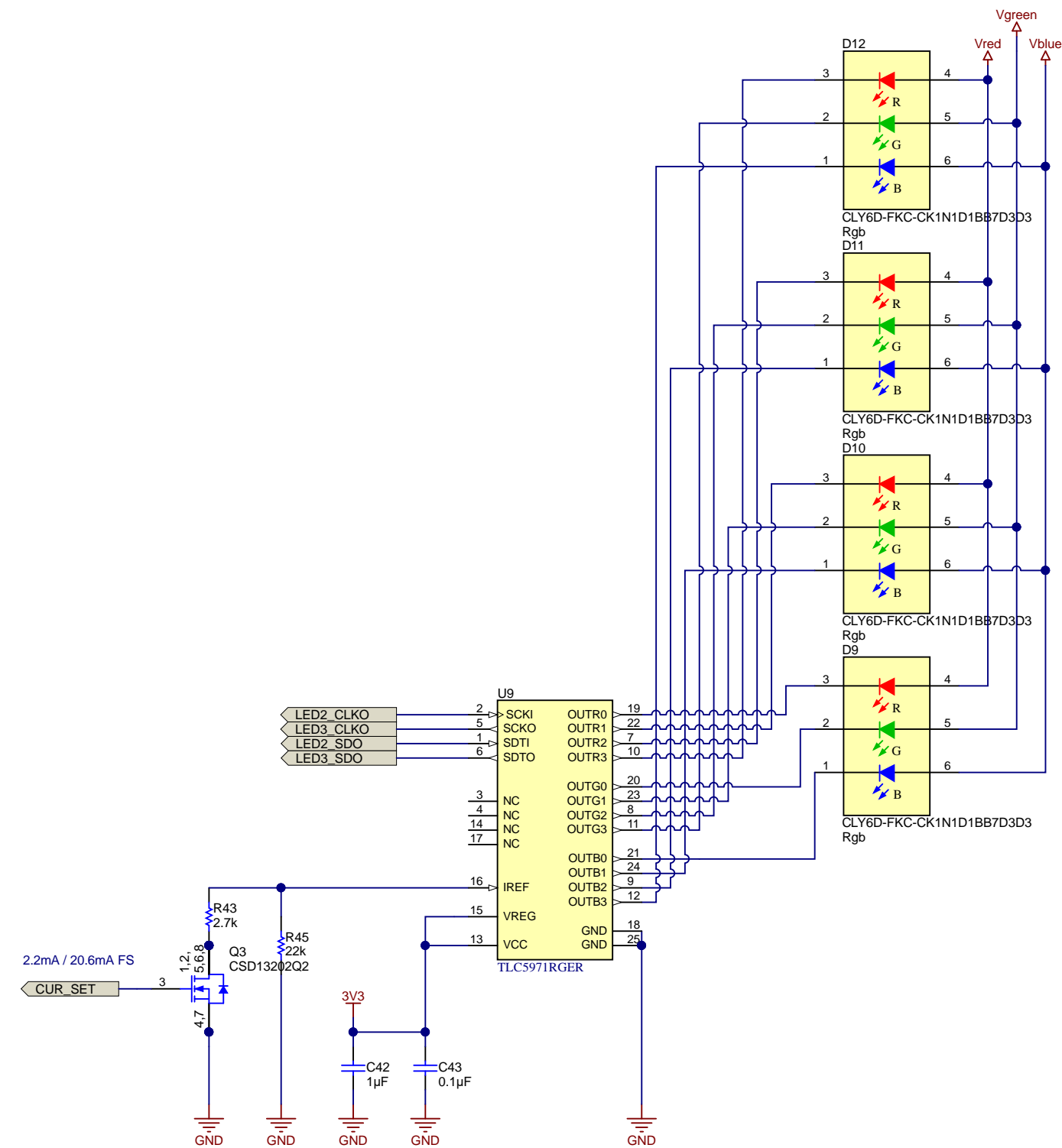
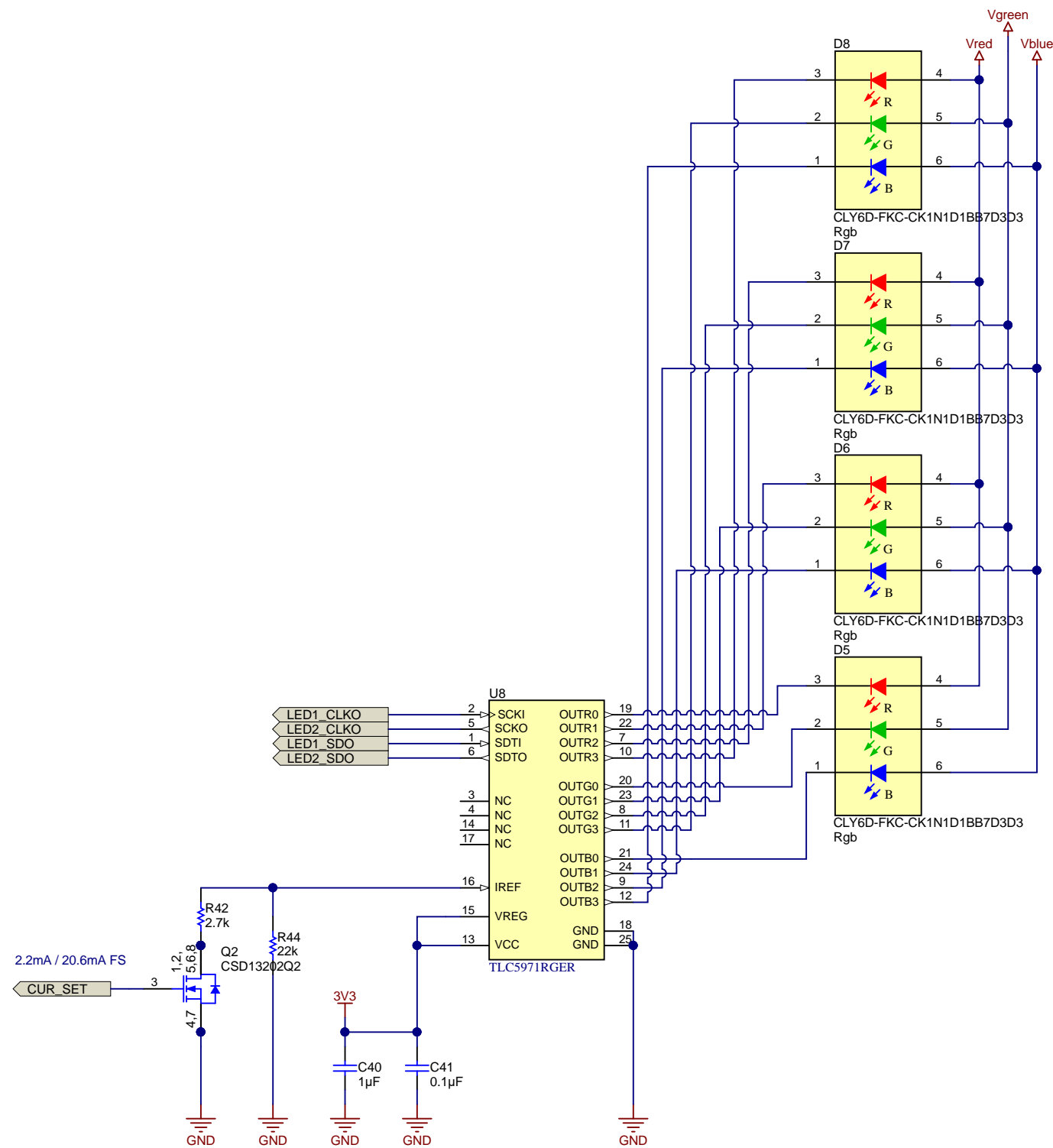
Orderable: N/A	Designed for: Public Release	Mod. Date: 6/30/2017
TID #: TIDA-01437	Project Title: RGB Signal Light with IO-Link	
Number: TIDA-01437	Rev: E2	Sheet Title: MCU, Sensors & Interface
SVN Rev: Version control disabled	Assembly Variant: 001	Sheet: 3 of 7
Drawn By:	File: TIDA-01437E2_Control.SchDoc	Size: B
Engineer: SG	Contact: http://www.ti.com/support	



Texas Instruments and/or its licensors do not warrant the accuracy or completeness of this specification or any information contained therein. Texas Instruments and/or its licensors do not warrant that this design will meet the specifications, will be suitable for your application or fit for any particular purpose, or will operate in an implementation. Texas Instruments and/or its licensors do not warrant that the design is production worthy. You should completely validate and test your design implementation to confirm the system functionality for your application.

Orderable: N/A	Designed for: Public Release	Mod. Date: 6/30/2017
TID #: TIDA-01437	Project Title: RGB Signal Light with IO-Link	
Number: TIDA-01437	Rev: E2	Sheet Title: LED Driver with Voltage Sensing
SVN Rev: Version control disabled	Assembly Variant: 001	Sheet: 4 of 7
Drawn By:	File: TIDA-01437E2_LED_1.SchDoc	Size: B
Engineer: SG	Contact: http://www.ti.com/support	



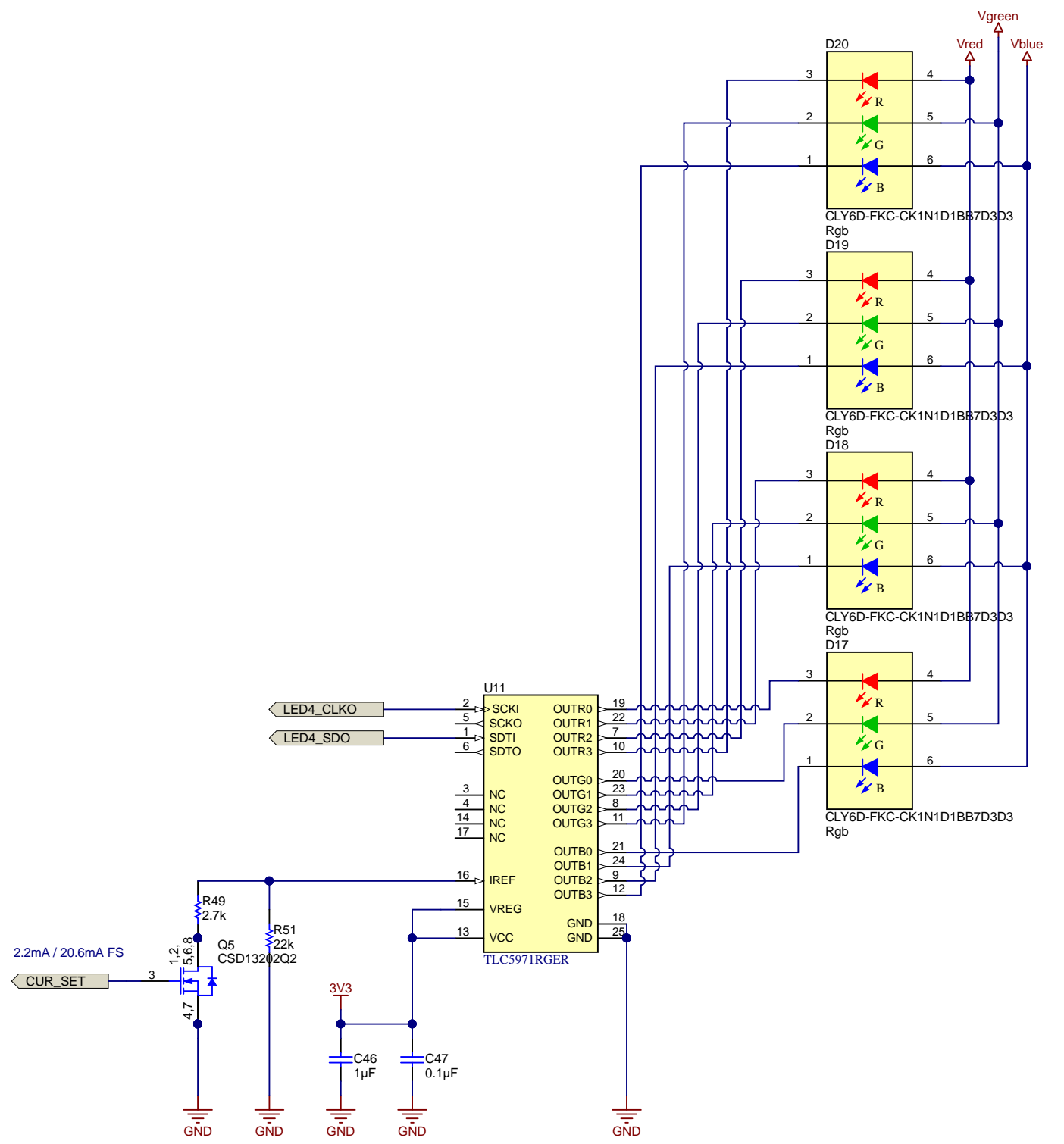
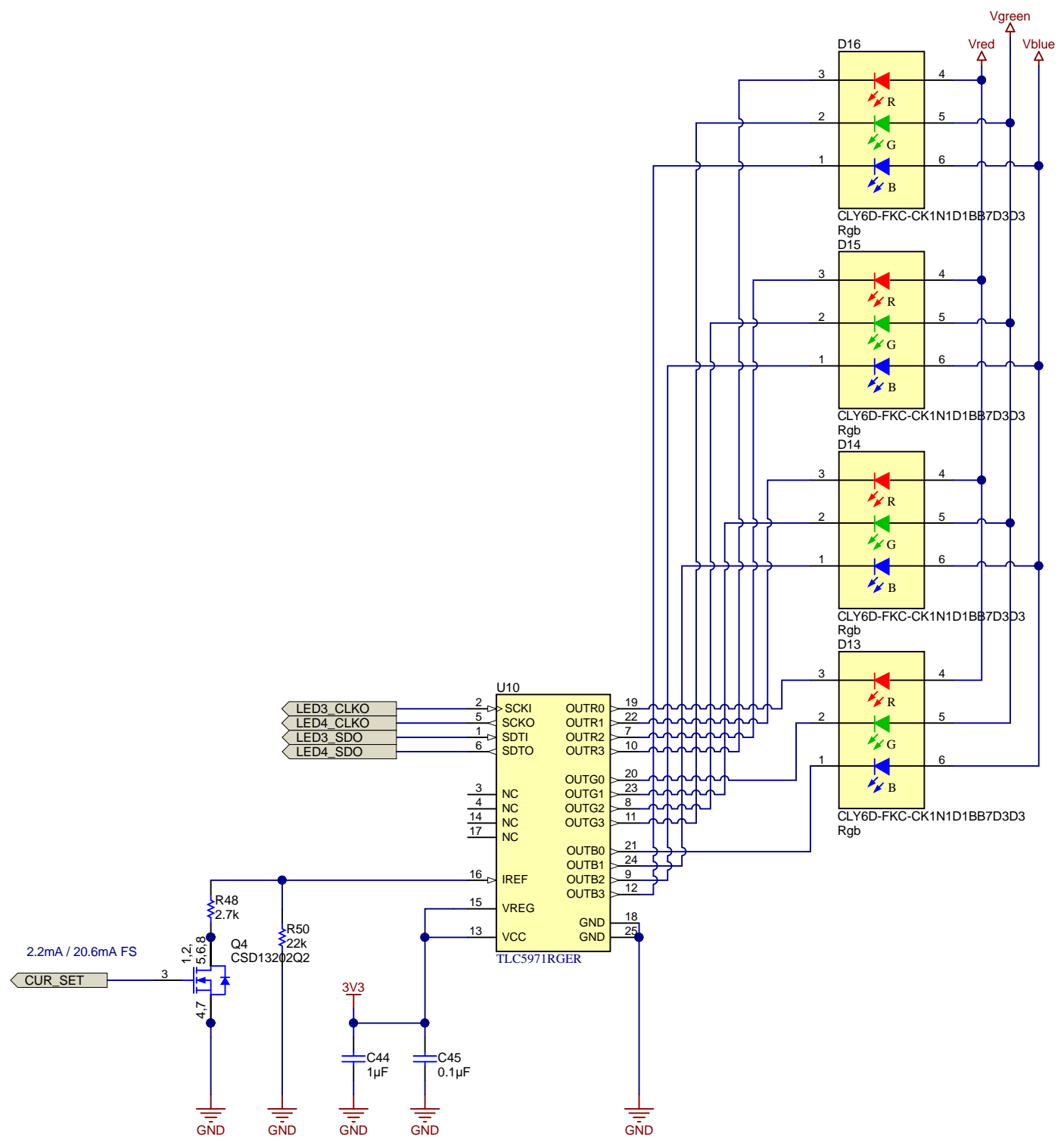


Texas Instruments and/or its licensors do not warrant the accuracy or completeness of this specification or any information contained therein. Texas Instruments and/or its licensors do not warrant that this design will meet the specifications, will be suitable for your application or fit for any particular purpose, or will operate in an implementation. Texas Instruments and/or its licensors do not warrant that the design is production worthy. You should completely validate and test your design implementation to confirm the system functionality for your application.

Orderable: N/A	Designed for: Public Release	Mod. Date: 6/30/2017
TID #: TIDA-01437	Project Title: RGB Signal Light with IO-Link	
Number: TIDA-01437	Rev: E2	Sheet Title: LED Drivers
SVN Rev: Version control disabled	Assembly Variant: 001	Sheet: 5 of 7
Drawn By:	File: TIDA-01437E2_LED_2.SchDoc	Size: B
Engineer: SG	Contact: http://www.ti.com/support	



© Texas Instruments 2017



Texas Instruments and/or its licensors do not warrant the accuracy or completeness of this specification or any information contained therein. Texas Instruments and/or its licensors do not warrant that this design will meet the specifications, will be suitable for your application or fit for any particular purpose, or will operate in an implementation. Texas Instruments and/or its licensors do not warrant that the design is production worthy. You should completely validate and test your design implementation to confirm the system functionality for your application.

Orderable: N/A	Designed for: Public Release	Mod. Date: 6/30/2017
TID #: TIDA-01437	Project Title: RGB Signal Light with IO-Link	
Number: TIDA-01437	Rev: E2	Sheet Title: LED Drivers
SVN Rev: Version control disabled	Assembly Variant: 001	Sheet: 6 of 7
Drawn By:	File: TIDA-01437E2_LED_3.SchDoc	Size: B
Engineer: SG	Contact: http://www.ti.com/support	



H1 NY PMS 440 0025 PH
 H2 NY PMS 440 0025 PH
 H3 NY PMS 440 0025 PH
 H4 NY PMS 440 0025 PH

H5 1902C
 H6 1902C
 H7 1902C
 H8 1902C

FID1 FID2 FID3 LOGO4

PCB Number: TIDA-01437
 PCB Rev: E2

PCB LOGO Pb-Free Symbol
 PCB LOGO FCC disclaimer

LBL1
 PCB Label
 Size: 0.65" x 0.20"

Variant/Label Table	
Variant	Label Text
001	TIDA-01437

ZZ1
Assembly Note
 Place SH-J3 on J3 Pin 1-2

ZZ2
Assembly Note
 Place SH-J4 on J4 Pin 1-2

ZZ3
Assembly Note
 Place SH-J5 on J5 Pin 1-2

ZZ4
Assembly Note
 Place SH-J6 on J6 Pin 1-2

ZZ5
Assembly Note
 Place SH-J7 on J7 Pin 1-2

ZZ6
Assembly Note
 Place SH-J9 on J9 Pin 1-2

ZZ7
Assembly Note
 Place SH-J10 on J10 Pin 1-2

Texas Instruments and/or its licensors do not warrant the accuracy or completeness of this specification or any information contained therein. Texas Instruments and/or its licensors do not warrant that this design will meet the specifications, will be suitable for your application or fit for any particular purpose, or will operate in an implementation. Texas Instruments and/or its licensors do not warrant that the design is production worthy. You should completely validate and test your design implementation to confirm the system functionality for your application.

Orderable: N/A	Designed for: Public Release	Mod. Date: 7/5/2017	 TEXAS INSTRUMENTS http://www.ti.com <small>© Texas Instruments 2017</small>
TID #: TIDA-01437	Project Title: RGB Signal Light with IO-Link	Sheet: 7 of 7	
Number: TIDA-01437	Rev: E2	File: TIDA-01437E2_EVM_Hardware.SchDoc	Size: B
SVN Rev: Version control disabled	Assembly Variant: 001	Contact: http://www.ti.com/support	
Drawn By: SG			

IMPORTANT NOTICE FOR TI DESIGN INFORMATION AND RESOURCES

Texas Instruments Incorporated ("TI") technical, application or other design advice, services or information, including, but not limited to, reference designs and materials relating to evaluation modules, (collectively, "TI Resources") are intended to assist designers who are developing applications that incorporate TI products; by downloading, accessing or using any particular TI Resource in any way, you (individually or, if you are acting on behalf of a company, your company) agree to use it solely for this purpose and subject to the terms of this Notice.

TI's provision of TI Resources does not expand or otherwise alter TI's applicable published warranties or warranty disclaimers for TI products, and no additional obligations or liabilities arise from TI providing such TI Resources. TI reserves the right to make corrections, enhancements, improvements and other changes to its TI Resources.

You understand and agree that you remain responsible for using your independent analysis, evaluation and judgment in designing your applications and that you have full and exclusive responsibility to assure the safety of your applications and compliance of your applications (and of all TI products used in or for your applications) with all applicable regulations, laws and other applicable requirements. You represent that, with respect to your applications, you have all the necessary expertise to create and implement safeguards that (1) anticipate dangerous consequences of failures, (2) monitor failures and their consequences, and (3) lessen the likelihood of failures that might cause harm and take appropriate actions. You agree that prior to using or distributing any applications that include TI products, you will thoroughly test such applications and the functionality of such TI products as used in such applications. TI has not conducted any testing other than that specifically described in the published documentation for a particular TI Resource.

You are authorized to use, copy and modify any individual TI Resource only in connection with the development of applications that include the TI product(s) identified in such TI Resource. NO OTHER LICENSE, EXPRESS OR IMPLIED, BY ESTOPPEL OR OTHERWISE TO ANY OTHER TI INTELLECTUAL PROPERTY RIGHT, AND NO LICENSE TO ANY TECHNOLOGY OR INTELLECTUAL PROPERTY RIGHT OF TI OR ANY THIRD PARTY IS GRANTED HEREIN, including but not limited to any patent right, copyright, mask work right, or other intellectual property right relating to any combination, machine, or process in which TI products or services are used. Information regarding or referencing third-party products or services does not constitute a license to use such products or services, or a warranty or endorsement thereof. Use of TI Resources may require a license from a third party under the patents or other intellectual property of the third party, or a license from TI under the patents or other intellectual property of TI.

TI RESOURCES ARE PROVIDED "AS IS" AND WITH ALL FAULTS. TI DISCLAIMS ALL OTHER WARRANTIES OR REPRESENTATIONS, EXPRESS OR IMPLIED, REGARDING TI RESOURCES OR USE THEREOF, INCLUDING BUT NOT LIMITED TO ACCURACY OR COMPLETENESS, TITLE, ANY EPIDEMIC FAILURE WARRANTY AND ANY IMPLIED WARRANTIES OF MERCHANTABILITY, FITNESS FOR A PARTICULAR PURPOSE, AND NON-INFRINGEMENT OF ANY THIRD PARTY INTELLECTUAL PROPERTY RIGHTS.

TI SHALL NOT BE LIABLE FOR AND SHALL NOT DEFEND OR INDEMNIFY YOU AGAINST ANY CLAIM, INCLUDING BUT NOT LIMITED TO ANY INFRINGEMENT CLAIM THAT RELATES TO OR IS BASED ON ANY COMBINATION OF PRODUCTS EVEN IF DESCRIBED IN TI RESOURCES OR OTHERWISE. IN NO EVENT SHALL TI BE LIABLE FOR ANY ACTUAL, DIRECT, SPECIAL, COLLATERAL, INDIRECT, PUNITIVE, INCIDENTAL, CONSEQUENTIAL OR EXEMPLARY DAMAGES IN CONNECTION WITH OR ARISING OUT OF TI RESOURCES OR USE THEREOF, AND REGARDLESS OF WHETHER TI HAS BEEN ADVISED OF THE POSSIBILITY OF SUCH DAMAGES.

You agree to fully indemnify TI and its representatives against any damages, costs, losses, and/or liabilities arising out of your non-compliance with the terms and provisions of this Notice.

This Notice applies to TI Resources. Additional terms apply to the use and purchase of certain types of materials, TI products and services. These include; without limitation, TI's standard terms for semiconductor products (<http://www.ti.com/sc/docs/stdterms.htm>), [evaluation modules](#), and [samples](http://www.ti.com/sc/docs/sampterm.htm) (<http://www.ti.com/sc/docs/sampterm.htm>).

Mailing Address: Texas Instruments, Post Office Box 655303, Dallas, Texas 75265
Copyright © 2017, Texas Instruments Incorporated