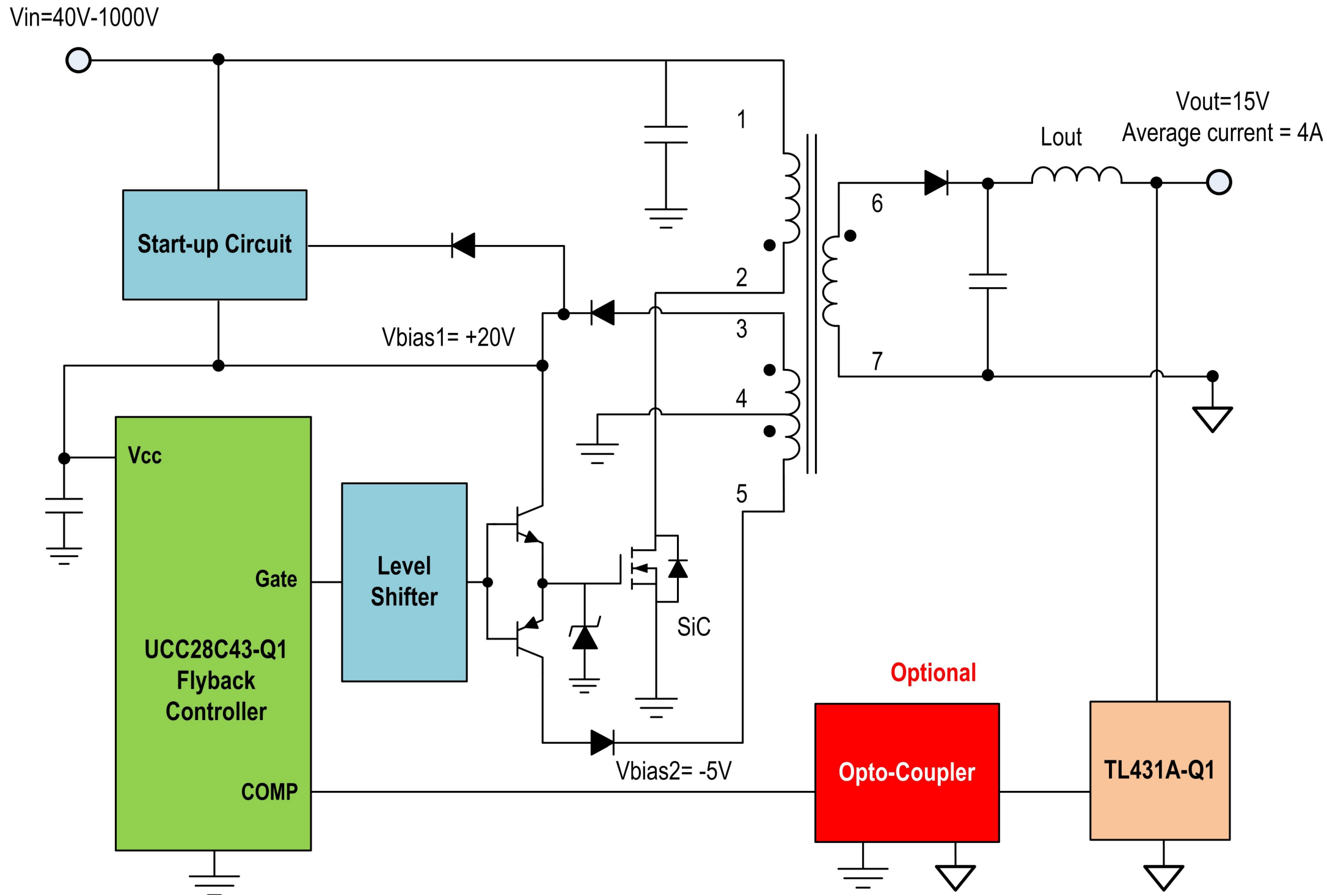


Revision History				
Rev	ECN #	Approved Date	Approved by	Notes
N/A	N/A	N/A	N/A	N/A

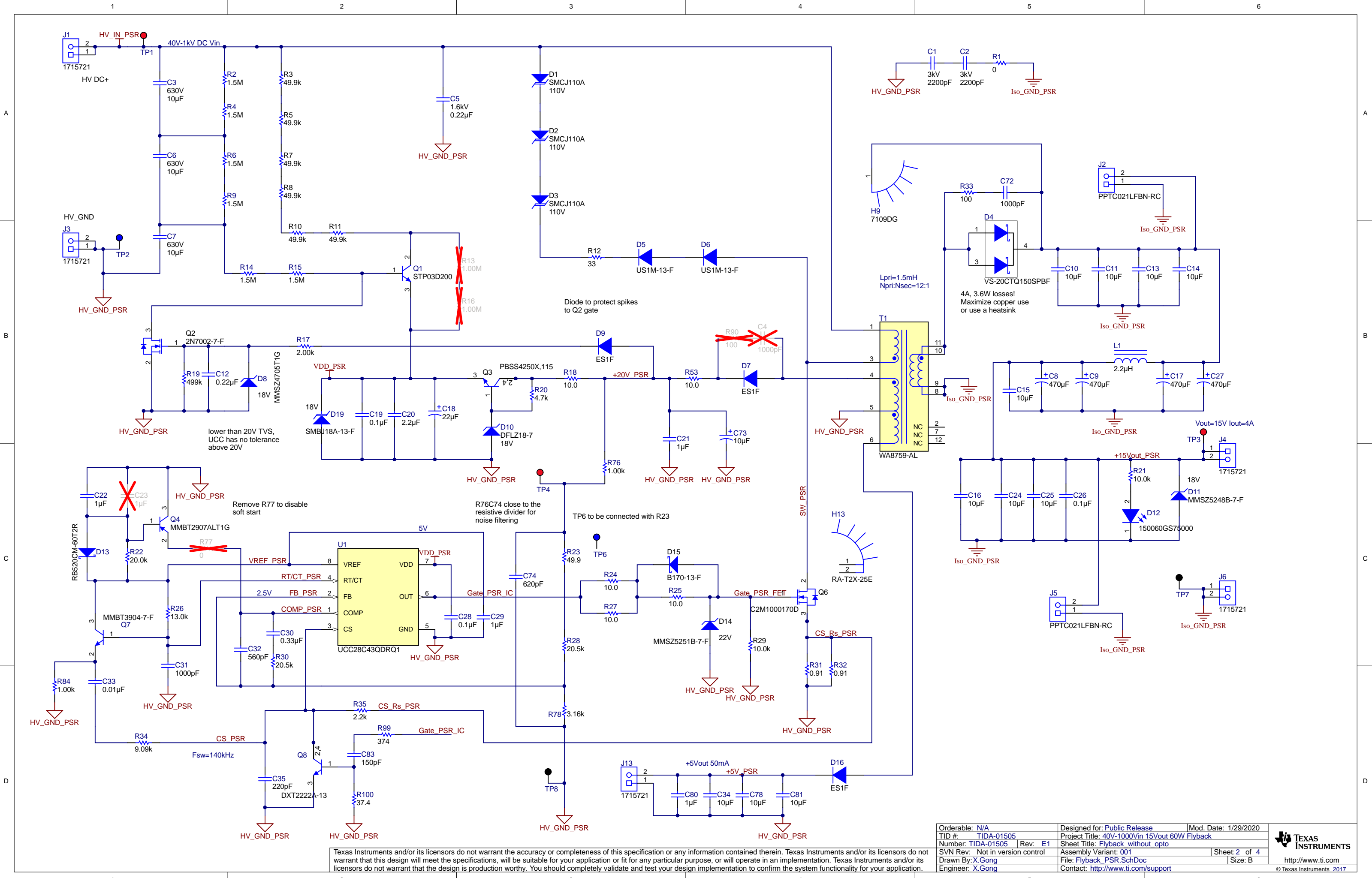


Texas Instruments and/or its licensors do not warrant the accuracy or completeness of this specification or any information contained therein. Texas Instruments and/or its licensors do not warrant that this design will meet the specifications, will be suitable for your application or fit for any particular purpose, or will operate in an implementation. Texas Instruments and/or its licensors do not warrant that the design is production worthy. You should completely validate and test your design implementation to confirm the system functionality for your application.

Orderable: N/A	Designed for: Public Release	Mod. Date: 2/16/2018
TID #: TIDA-01505	Project Title: 40V-1000Vin 15Vout 60W Flyback	
Number: TIDA-01505 Rev: E1	Sheet Title: Block Diagram	
SVN Rev: Not in version control	Assembly Variant: 001	Sheet: 1 of 4
Drawn By: X.Gong	File: CoverSheet.SchDoc	Size: A3
Engineer: X.Gong	Contact: http://www.ti.com/support	



© Texas Instruments 2017

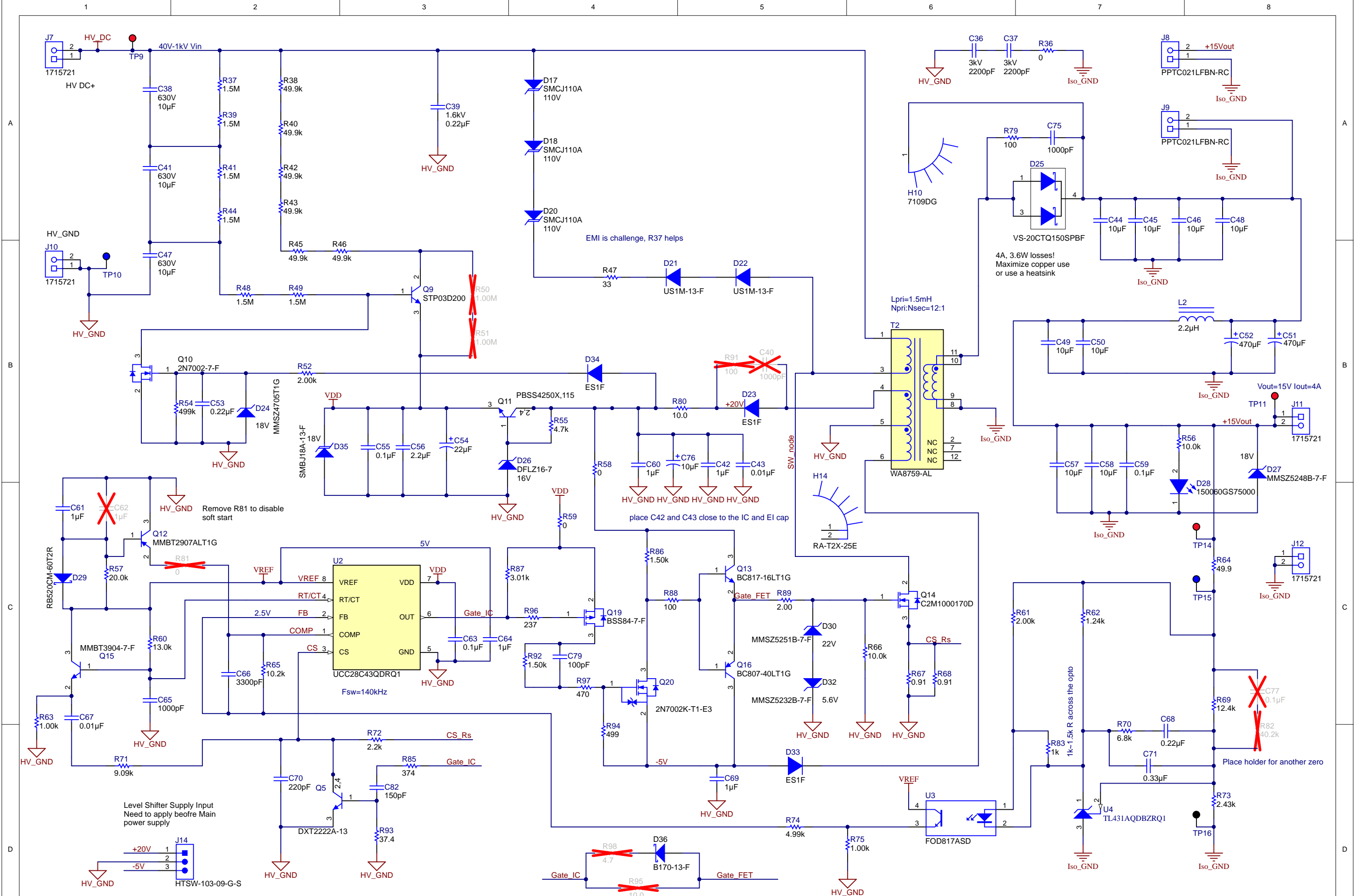


Texas Instruments and/or its licensors do not warrant the accuracy or completeness of this specification or any information contained therein. Texas Instruments and/or its licensors do not warrant that this design will meet the specifications, will be suitable for your application or fit for any particular purpose, or will operate in an implementation. Texas Instruments and/or its licensors do not warrant that the design is production worthy. You should completely validate and test your design implementation to confirm the system functionality for your application.

Orderable: N/A	Designed for: Public Release	Mod. Date: 1/29/2020
TID #: TIDA-01505	Project Title: 40V-1000Vin 15Vout 60W Flyback	
Number: TIDA-01505	Rev: E1	Sheet Title: Flyback_without_opto
SVN Rev: Not in version control	Assembly Variant: 001	Sheet: 2 of 4
Drawn By: X.Gong	File: Flyback_PSR.SchDoc	Size: B
Engineer: X.Gong	Contact: http://www.ti.com/support	



© Texas Instruments 2017



Texas Instruments and/or its licensors do not warrant the accuracy or completeness of this specification or any information contained therein. Texas Instruments and/or its licensors do not warrant that this design will meet the specifications, will be suitable for your application or fit for any particular purpose, or will operate in an implementation. Texas Instruments and/or its licensors do not warrant that the design is production worthy. You should completely validate and test your design implementation to confirm the system functionality for your application.

Orderable: N/A	Designed for: Public Release	Mod. Date: 1/29/2020
TID #: TIDA-01505	Project Title: 40V-1000Vin 15Vout 60W Flyback	
Number: TIDA-01505	Rev: E1	Sheet Title: Flyback_with_Optocoupler
SVN Rev: Not in version control	Assembly Variant: 001	Sheet: 3 of 4
Drawn By: X.Gong	File: Flyback_withOpto.SchDoc	Size: A3
Engineer: X.Gong	Contact: http://www.ti.com/support	



© Texas Instruments 2017

H1 NY PMS 440 0025 PH H2 NY PMS 440 0025 PH H3 NY PMS 440 0025 PH H4 NY PMS 440 0025 PH H11 NY PMS 440 0025 PH H15 NY PMS 440 0025 PH H17 NY PMS 440 0025 PH H18 NY PMS 440 0025 PH

H5 1902C H6 1902C H7 1902C H8 1902C H16 1902C H12 1902C H19 1902C H20 1902C

FID4 FID5 FID6
~~FID1~~ ~~FID2~~ ~~FID3~~

LOGO6 LOGO7 LOGO4 LOGO5

PCB Number: TIDA-01505
 PCB Rev: E1

PCB
 LOGO
 Pb-Free Symbol


Variant/Label Table	
Variant	Label Text
001	Variant 1
002	Variant 2

ZZ1
Label Assembly Note
 This Assembly Note is for PCB labels only

ZZ2
Assembly Note
 These assemblies are ESD sensitive, ESD precautions shall be observed.

ZZ3
Assembly Note
 These assemblies must be clean and free from flux and all contaminants. Use of no clean flux is not acceptable.

ZZ4
Assembly Note
 These assemblies must comply with workmanship standards IPC-A-610 Class 2, unless otherwise specified.

Orderable: N/A	Designed for: Public Release	Mod. Date: 11/2/2018	 TEXAS INSTRUMENTS http://www.ti.com <small>© Texas Instruments 2017</small>
TID #: TIDA-01505	Project Title: 40V-1000Vin 15Vout 60W Flyback		
Number: TIDA-01505 Rev: E1	Sheet Title: Hardware		
SVN Rev: Not in version control	Assembly Variant: 001	Sheet: 4 of 4	
Drawn By: X.Gong	File: Hardware.SchDoc	Size: A3	
Engineer: X.Gong	Contact: http://www.ti.com/support		

Texas Instruments and/or its licensors do not warrant the accuracy or completeness of this specification or any information contained therein. Texas Instruments and/or its licensors do not warrant that this design will meet the specifications, will be suitable for your application or fit for any particular purpose, or will operate in an implementation. Texas Instruments and/or its licensors do not warrant that the design is production worthy. You should completely validate and test your design implementation to confirm the system functionality for your application.

IMPORTANT NOTICE AND DISCLAIMER

TI PROVIDES TECHNICAL AND RELIABILITY DATA (INCLUDING DATASHEETS), DESIGN RESOURCES (INCLUDING REFERENCE DESIGNS), APPLICATION OR OTHER DESIGN ADVICE, WEB TOOLS, SAFETY INFORMATION, AND OTHER RESOURCES "AS IS" AND WITH ALL FAULTS, AND DISCLAIMS ALL WARRANTIES, EXPRESS AND IMPLIED, INCLUDING WITHOUT LIMITATION ANY IMPLIED WARRANTIES OF MERCHANTABILITY, FITNESS FOR A PARTICULAR PURPOSE OR NON-INFRINGEMENT OF THIRD PARTY INTELLECTUAL PROPERTY RIGHTS.

These resources are intended for skilled developers designing with TI products. You are solely responsible for (1) selecting the appropriate TI products for your application, (2) designing, validating and testing your application, and (3) ensuring your application meets applicable standards, and any other safety, security, or other requirements. These resources are subject to change without notice. TI grants you permission to use these resources only for development of an application that uses the TI products described in the resource. Other reproduction and display of these resources is prohibited. No license is granted to any other TI intellectual property right or to any third party intellectual property right. TI disclaims responsibility for, and you will fully indemnify TI and its representatives against, any claims, damages, costs, losses, and liabilities arising out of your use of these resources.

TI's products are provided subject to TI's Terms of Sale (www.ti.com/legal/termsofsale.html) or other applicable terms available either on ti.com or provided in conjunction with such TI products. TI's provision of these resources does not expand or otherwise alter TI's applicable warranties or warranty disclaimers for TI products.

Mailing Address: Texas Instruments, Post Office Box 655303, Dallas, Texas 75265
Copyright © 2020, Texas Instruments Incorporated