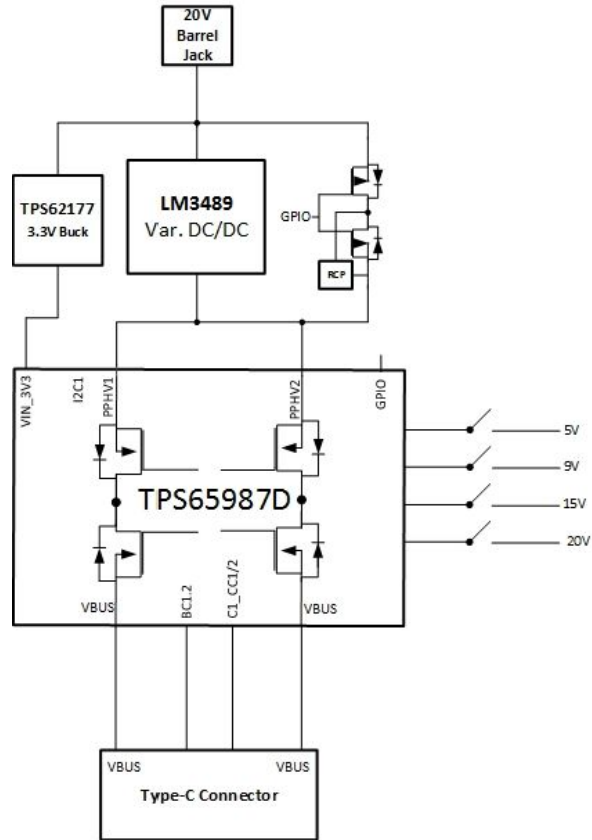


Revision History				
Rev	ECN #	Approved Date	Approved by	Notes
N/A	N/A	N/A	N/A	N/A

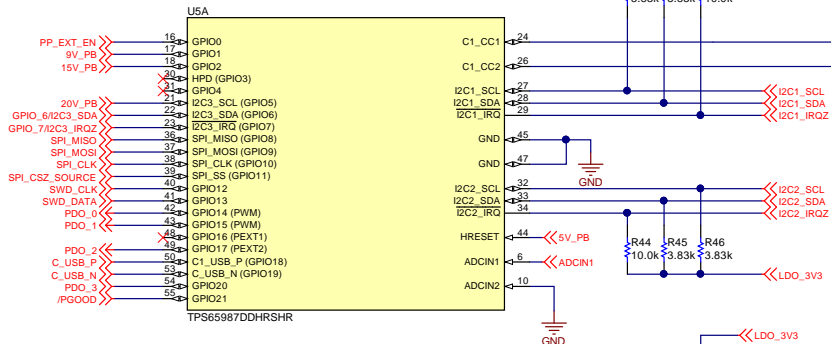


Texas Instruments and/or its licensors do not warrant the accuracy or completeness of this specification or any information contained therein. Texas Instruments and/or its licensors warrant that this design will meet the specifications, will be suitable for your application or fit for any particular purpose, or will operate in an implementation. Texas Instruments and/or its licensors do not warrant that the design is production worthy. You should completely validate and test your design implementation to confirm the system functionality for your application.

Orderable: EVM, orderable	Designed for: Public Release	Mod. Date: 6/27/2018
TID #: TIDA-05012	Project Title: Power Duo	
Number: PSIL054	[Rev: E1] Sheet Title:	
Rev: Version control disabled	Assembly Variant [No Variations]	Sheet: 1 of 9
Drawn By:	File: PSIL054E1_CoverSheet_SchDoc	Size: B
Engineer: Eric Beljaars/Adam McGala	Contact: http://www.ti.com/support	

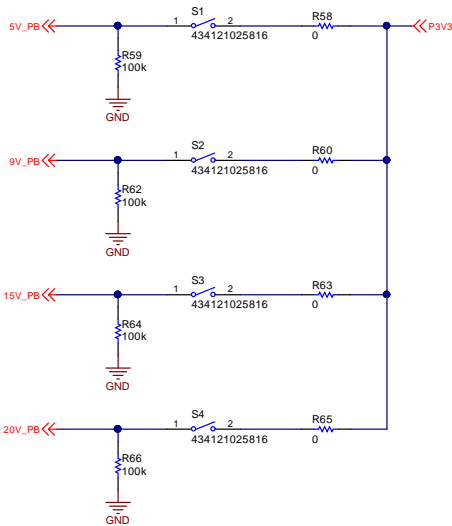


USB PD Controller

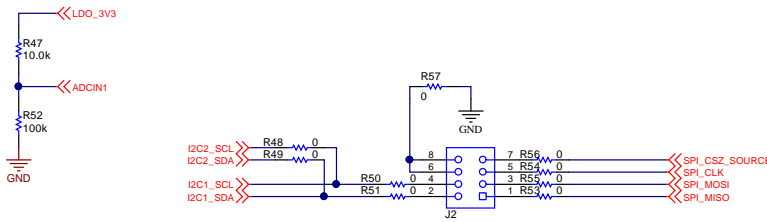
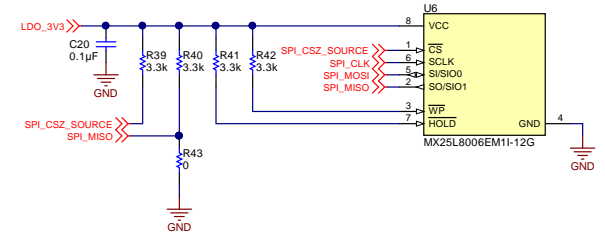


Variable DC/DC Control

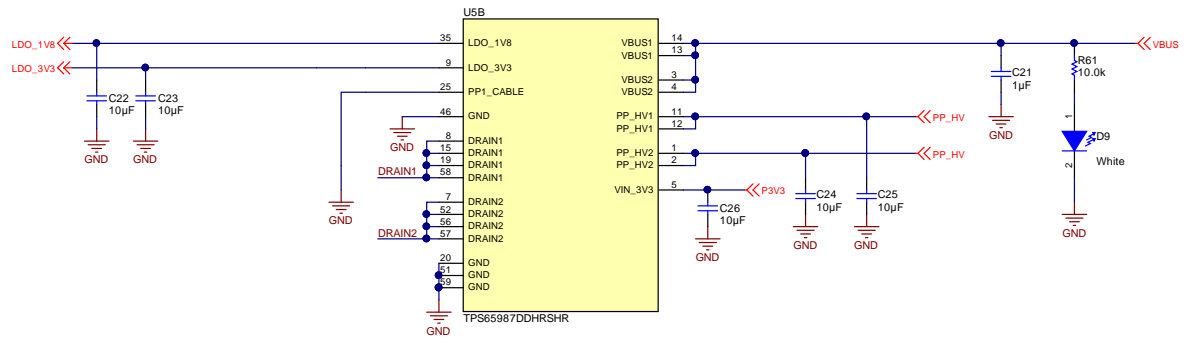
Truth Table			Output Voltage
PDO_3	PDO_2	PDO_1	
0	0	0	5V
0	0	1	9V
0	1	0	15V
1	0	0	20V



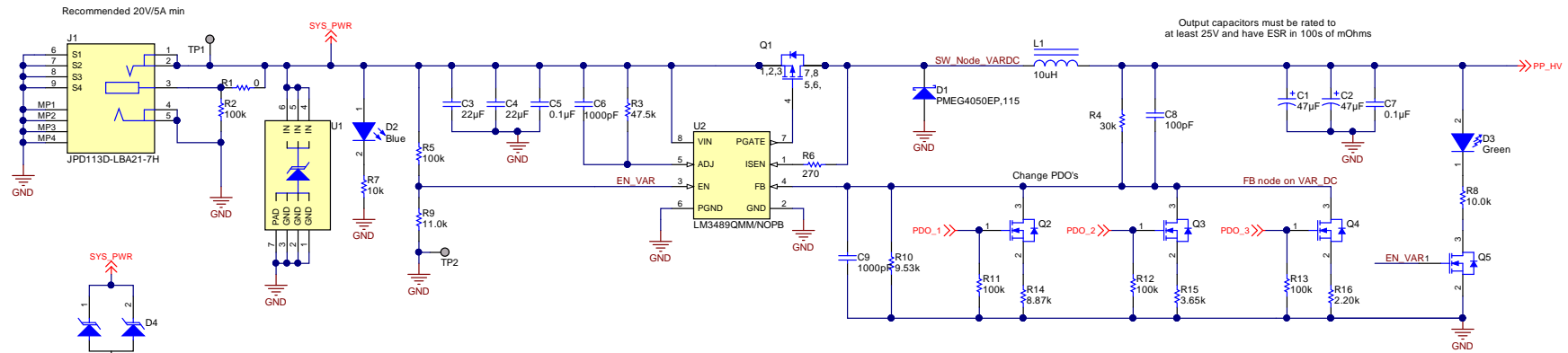
SPI Flash



USB PD Power Path

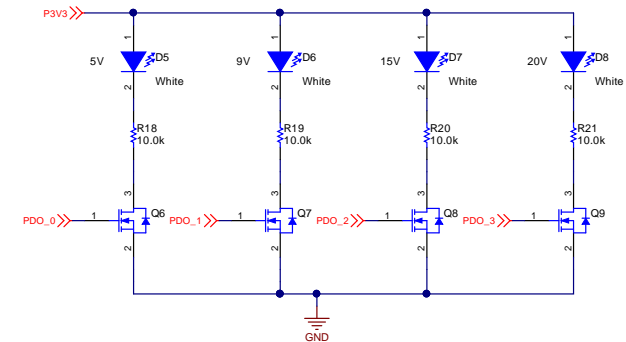
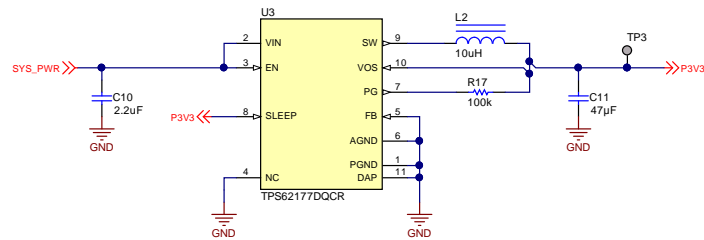


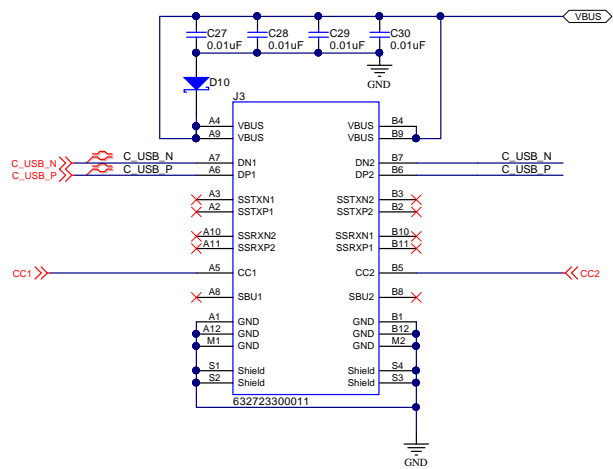
Variable DC/DC Converter: 5V, 9V, 15V, 20V



PDO_3	PDO_2	PDO_1	Output Voltage	Feedback (R1)	Feedback (R2)	Output Voltage
0	0	0	5V	30k	9.53k	5.14V
0	1	0	9V	30k	4.59k	9.33V
0	1	0	15V	30k	2.64k	15.32
1	0	0	20V	30k	1.79k	22.03

Var. DC/DC Control LED's



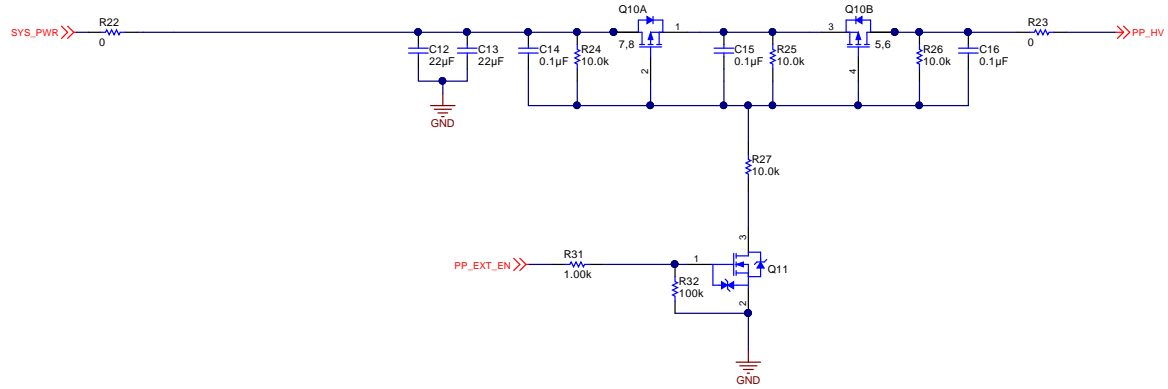


Texas Instruments and/or its licensors do not warrant the accuracy or completeness of this specification or any information contained therein. Texas Instruments and/or its licensors warrant that this design will meet the specifications, will be suitable for your application or fit for any particular purpose, or will operate in an implementation. Texas Instruments and/or its licensors do not warrant that the design is production worthy. You should completely validate and test your design implementation to confirm the system functionality for your application.

Orderable: EVM, orderable	Designed for: Public Release	Mod. Date: 7/2/2018
TID #: TIDA-050012	Project Title: Power Duo	
Number: PSIL054	Rev: E1	Sheet Title:
Rev: Version control disabled	Assembly Variant: [No Variations]	Sheet 5 of 9
Drawn By:	File: PSIL054E1_Source Type-C Connector.SchDoc	Size: B
Engineer: Eric Beljaars/Adam McGahey	Contact: http://www.ti.com/support	



External Power Path (PD Duo Mode)

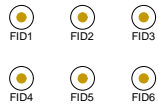


Texas Instruments and/or its licensors do not warrant the accuracy or completeness of this specification or any information contained therein. Texas Instruments and/or its licensors warrant that this design will meet the specifications, will be suitable for your application or fit for any particular purpose, or will operate in an implementation. Texas Instruments and/or its licensors do not warrant that the design is production worthy. You should completely validate and test your design implementation to confirm the system functionality for your application.

Orderable: EVM, orderable	Designed for: Public Release	Mod. Date: 8/14/2018
TID #: TIDA-050012	Project Title: Power Duo	
Number: PSIL054	[Rev: E1]	Sheet Title:
Assembly Variant: [No Variations]	Sheet: 4 of 9	
Drawn By: Eric Beljaars/Adam McGahey	File: PSIL054E1_Bypass Power Path_SchDoc	Size: B
Contact: http://www.ti.com/support		



© Texas Instruments 2018
<http://www.ti.com>



PCB Number: PSIL054
PCB Rev: E1



PCB
LOGO
WEEE logo

PCB
LOGO
FCC disclaimer



ZZ2
Assembly Note
These assemblies are ESD sensitive, ESD precautions shall be observed.

ZZ3
Assembly Note
These assemblies must be clean and free from flux and all contaminants. Use of no clean flux is not acceptable.

ZZ4
Assembly Note
These assemblies must comply with workmanship standards IPC-A-610 Class 2, unless otherwise specified.

Orderable: EVM, orderable	Designed for: Public Release	Mod. Date: 8/14/2018
TID #: TDA-050012	Project Title: Power Duo	
Number: PSIL054	[Rev: E1]	Sheet: 9 of 9
Drawn By: Eric Beljaars/Adam McGahey	Assembly Variant: [No Variations]	File: PSIL054E1_EVM_Hardware_SchDoc
Engineer: Eric Beljaars/Adam McGahey	Contact: http://www.ti.com/support	Size: B

Texas Instruments and/or its licensors do not warrant the accuracy or completeness of this specification or any information contained therein. Texas Instruments and/or its licensors warrant that this design will meet the specifications, will be suitable for your application or fit for any particular purpose, or will operate in an implementation. Texas Instruments and/or its licensors do not warrant that the design is production worthy. You should completely validate and test your design implementation to confirm the system functionality for your application. © Texas Instruments 2018



IMPORTANT NOTICE AND DISCLAIMER

TI PROVIDES TECHNICAL AND RELIABILITY DATA (INCLUDING DATASHEETS), DESIGN RESOURCES (INCLUDING REFERENCE DESIGNS), APPLICATION OR OTHER DESIGN ADVICE, WEB TOOLS, SAFETY INFORMATION, AND OTHER RESOURCES "AS IS" AND WITH ALL FAULTS, AND DISCLAIMS ALL WARRANTIES, EXPRESS AND IMPLIED, INCLUDING WITHOUT LIMITATION ANY IMPLIED WARRANTIES OF MERCHANTABILITY, FITNESS FOR A PARTICULAR PURPOSE OR NON-INFRINGEMENT OF THIRD PARTY INTELLECTUAL PROPERTY RIGHTS.

These resources are intended for skilled developers designing with TI products. You are solely responsible for (1) selecting the appropriate TI products for your application, (2) designing, validating and testing your application, and (3) ensuring your application meets applicable standards, and any other safety, security, or other requirements. These resources are subject to change without notice. TI grants you permission to use these resources only for development of an application that uses the TI products described in the resource. Other reproduction and display of these resources is prohibited. No license is granted to any other TI intellectual property right or to any third party intellectual property right. TI disclaims responsibility for, and you will fully indemnify TI and its representatives against, any claims, damages, costs, losses, and liabilities arising out of your use of these resources.

TI's products are provided subject to TI's Terms of Sale (www.ti.com/legal/termsofsale.html) or other applicable terms available either on ti.com or provided in conjunction with such TI products. TI's provision of these resources does not expand or otherwise alter TI's applicable warranties or warranty disclaimers for TI products.

Mailing Address: Texas Instruments, Post Office Box 655303, Dallas, Texas 75265
Copyright © 2018, Texas Instruments Incorporated