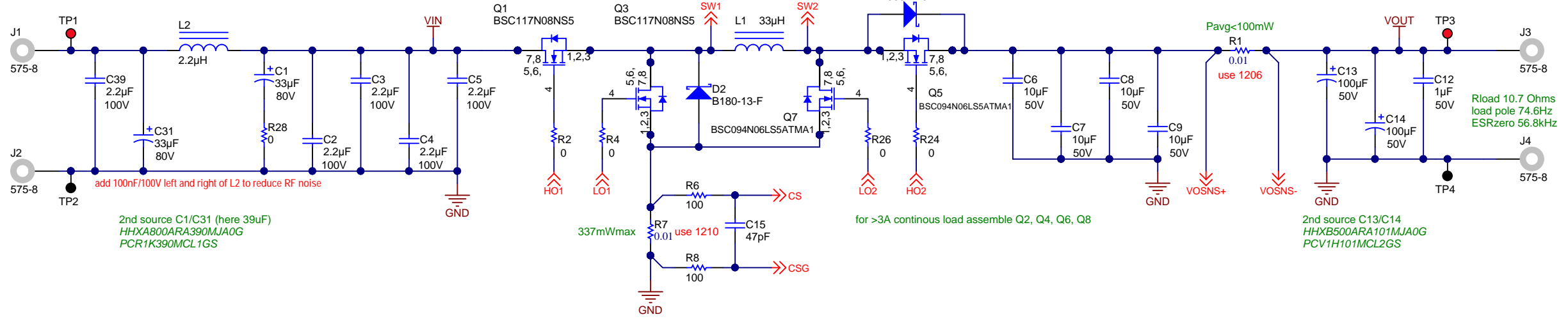


Vin = 17..52Vdc @ 7A max

Vout = 32V @ 3Amax.



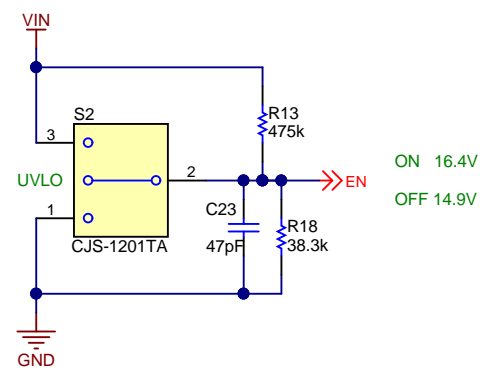
2nd source C1/C31 (here 39uF)
HHXA800ARA390MJA0G
PCR1K390MCL1GS

337mWmax
use 1210
C15 47pF

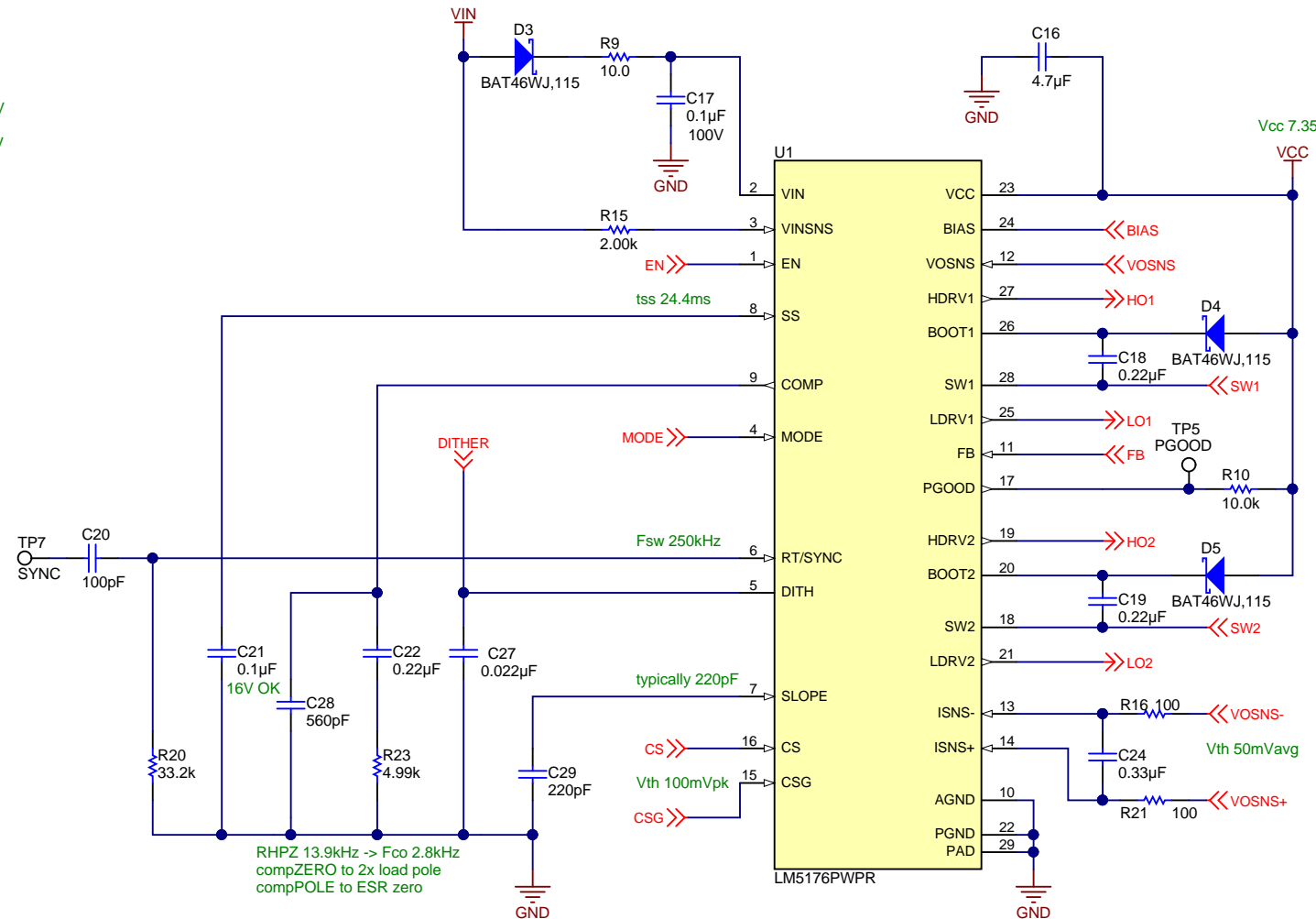
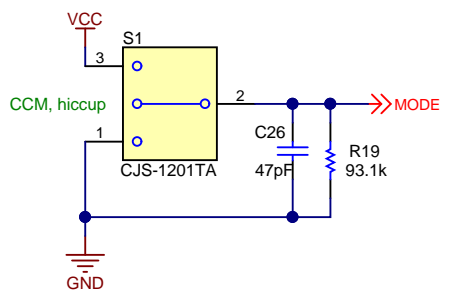
for >3A continuous load assemble Q2, Q4, Q6, Q8

2nd source C13/C14
HHXB500ARA101MJA0G
PCV1H101MCL2GS

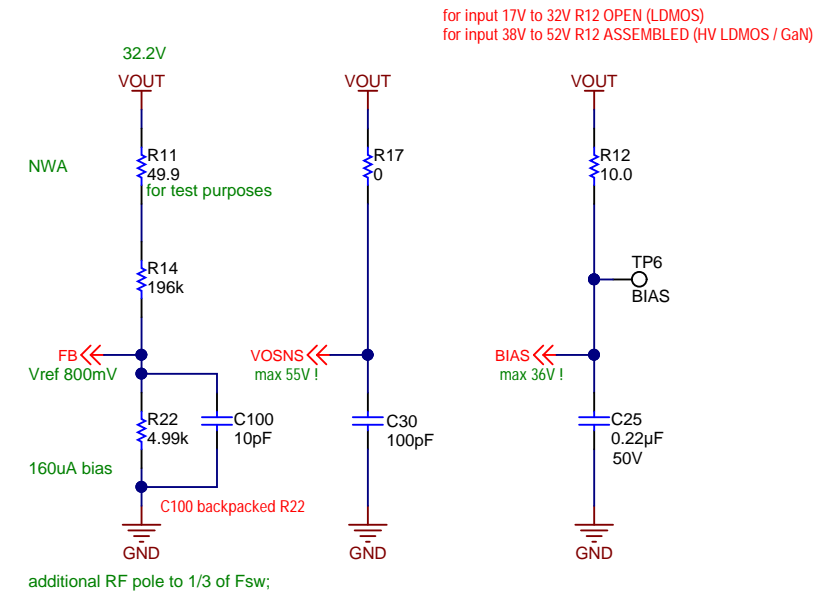
Load 10.7 Ohms
load pole 74.6Hz
ESRzero 56.8kHz



ON 16.4V
OFF 14.9V



- ASSEMBLY:
- 1) C10, C11, C32..C38 OPEN
 - 2) R3, R5, R25, R27, R29 OPEN
 - 3) Q2, Q4, Q6, Q8 OPEN



modified SV601348A - please refer to bill of materials

Texas Instruments and/or its licensors do not warrant the accuracy or completeness of this specification or any information contained therein. Texas Instruments and/or its licensors do not warrant that this design will meet the specifications, will be suitable for your application or fit for any particular purpose, or will operate in an implementation. Texas Instruments and/or its licensors do not warrant that the design is production worthy. You should completely validate and test your design implementation to confirm the system functionality for your application.

Orderable: N/A	Designed for:	Mod. Date: 9/7/2018
TID #: PMP30549	Project Title: Modified LM5176EVM-HP (4-SW Buck-Boost)	
Number: PMP30549	Rev: B	Sheet Title: Schematic
SVN Rev: Version control disabled	Assembly Variant: 001	Sheet: 1 of 2
Drawn By: B.Geck	File: PMP30549RevB_Schematic.SchDoc	Size: B
Engineer: B. Geck	Contact: http://www.ti.com/support	



H1 NY PMS 440 0025 PH
 H2 NY PMS 440 0025 PH
 H3 NY PMS 440 0025 PH
 H4 NY PMS 440 0025 PH

H5 1902C
 H6 1902C
 H7 1902C
 H8 1902C

FID1
 FID2
 FID3

!PCBA1
PCB Assembly
 LM5176EVM-HP (SV601348A)
 SV601348A

Logo1
 PCB
 LOGO
 Texas Instruments

Logo2
 PCB
 LOGO
 Pb-Free Symbol

Logo3
 PCB
 LOGO
 FCC disclaimer



LOGO4
 CAUTION HOT SURFACE



LOGO5
 CAUTION HOT SURFACE

Variant/Label Table

Variant	Label Text
001	

Texas Instruments and/or its licensors do not warrant the accuracy or completeness of this specification or any information contained therein. Texas Instruments and/or its licensors do not warrant that this design will meet the specifications, will be suitable for your application or fit for any particular purpose, or will operate in an implementation. Texas Instruments and/or its licensors do not warrant that the design is production worthy. You should completely validate and test your design implementation to confirm the system functionality for your application.

Orderable: N/A	Designed for:	Mod. Date: 9/7/2018	 TEXAS INSTRUMENTS http://www.ti.com
TID #: PMP30549	Project Title: Modified LM5176EVM-HP (4-SW Buck-Boost)		
Number: PMP30549	Rev: B	Sheet Title: Hardware	
SVN Rev: Version control disabled	Assembly Variant: 001	Sheet: 2 of 2	
Drawn By:	File: PMP30549_EVM_Hardware.SchDoc	Size: B	
Engineer: B. Geck	Contact: http://www.ti.com/support		© Texas Instruments 2018

A

A

B

B

C

C

D

D

IMPORTANT NOTICE AND DISCLAIMER

TI PROVIDES TECHNICAL AND RELIABILITY DATA (INCLUDING DATASHEETS), DESIGN RESOURCES (INCLUDING REFERENCE DESIGNS), APPLICATION OR OTHER DESIGN ADVICE, WEB TOOLS, SAFETY INFORMATION, AND OTHER RESOURCES "AS IS" AND WITH ALL FAULTS, AND DISCLAIMS ALL WARRANTIES, EXPRESS AND IMPLIED, INCLUDING WITHOUT LIMITATION ANY IMPLIED WARRANTIES OF MERCHANTABILITY, FITNESS FOR A PARTICULAR PURPOSE OR NON-INFRINGEMENT OF THIRD PARTY INTELLECTUAL PROPERTY RIGHTS.

These resources are intended for skilled developers designing with TI products. You are solely responsible for (1) selecting the appropriate TI products for your application, (2) designing, validating and testing your application, and (3) ensuring your application meets applicable standards, and any other safety, security, or other requirements. These resources are subject to change without notice. TI grants you permission to use these resources only for development of an application that uses the TI products described in the resource. Other reproduction and display of these resources is prohibited. No license is granted to any other TI intellectual property right or to any third party intellectual property right. TI disclaims responsibility for, and you will fully indemnify TI and its representatives against, any claims, damages, costs, losses, and liabilities arising out of your use of these resources.

TI's products are provided subject to TI's Terms of Sale (www.ti.com/legal/termsofsale.html) or other applicable terms available either on ti.com or provided in conjunction with such TI products. TI's provision of these resources does not expand or otherwise alter TI's applicable warranties or warranty disclaimers for TI products.

Mailing Address: Texas Instruments, Post Office Box 655303, Dallas, Texas 75265
Copyright © 2018, Texas Instruments Incorporated