

BLK1
TIDA-050020_Filters.SchDoc

BLK2
TIDA-050020_Aux Power.SchDoc

BLK3
TIDA-050020_CONTROLLER.SchDoc

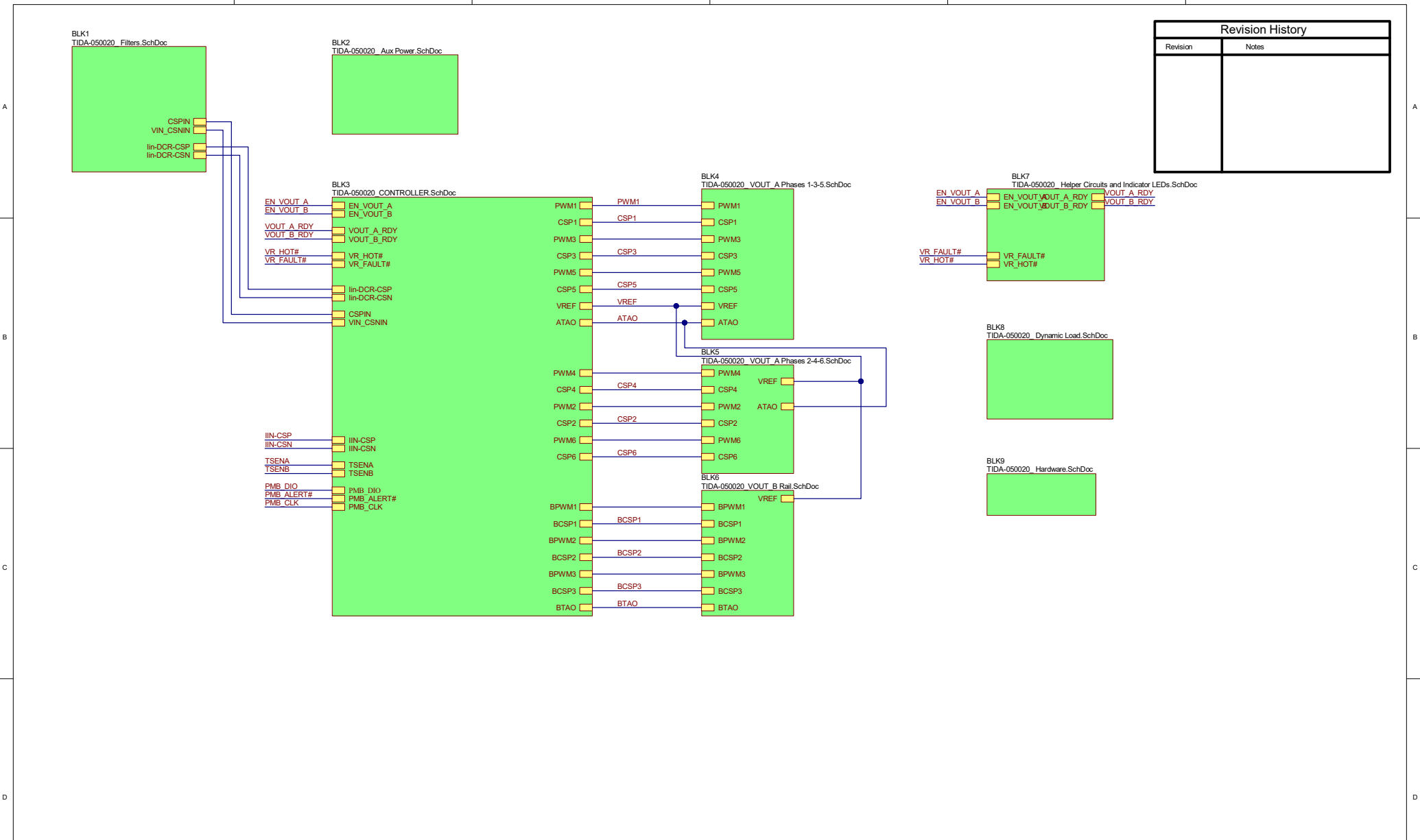
BLK4
TIDA-050020_VOUT_A Phases 1-3&5.SchDoc

BLK7
TIDA-050020_Helper Circuits and Indicator LEDs.SchDoc

BLK8
TIDA-050020_Dynamic Load.SchDoc

BLK9
TIDA-050020_Hardware.SchDoc

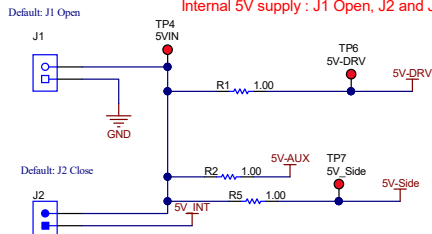
Revision History	
Revision	Notes



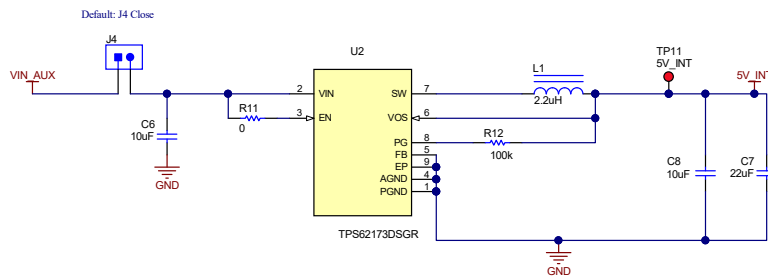
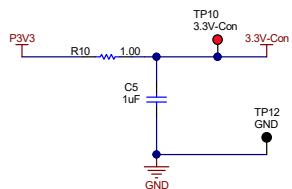
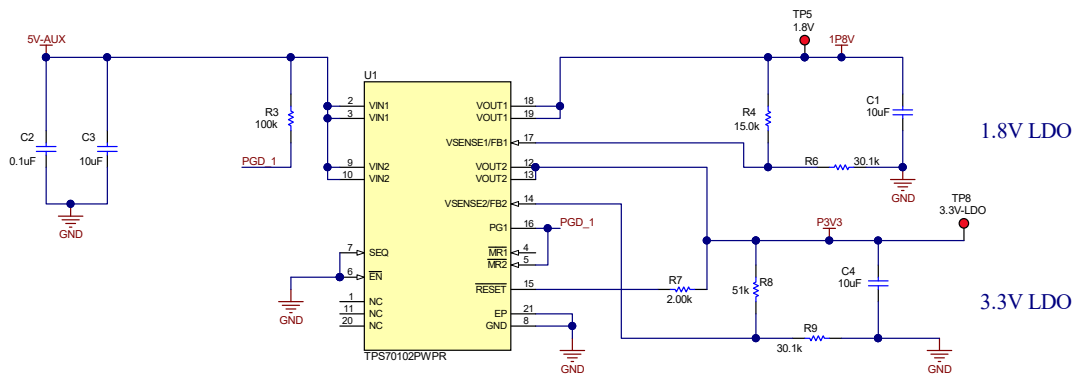
Texas Instruments and/or its licensors do not warrant the accuracy or completeness of this specification or any information contained therein. Texas Instruments and/or its licensors do not warrant that this design will meet the specifications, will be suitable for your application or fit for any particular purpose, or will operate in an implementation. Texas Instruments and/or its licensors do not warrant that the design is production worthy. You should completely validate and test your design implementation to confirm the system functionality for your application.

Orderable: TPSS3681EVM-002	Designed for:	Mod. Date: 2/13/2019
TID #: TIDA-050020	Project Title: TIDA-050020	
Number: TIDA-050020 Rev: A	Sheet Title:	
SVN Rev: Not in version control	Assembly Variant: 001	Sheet: 1 of 10
Drawn By:	File: TIDA-050020_Cover Sheet.SchDoc	Size: B
Engineer: C. Pansi	Contact: http://www.ti.com/support	

External 5V supply : Connect 5V supply at J1, J2 and J4 Open.
 Internal 5V supply : J1 Open, J2 and J4 Close.



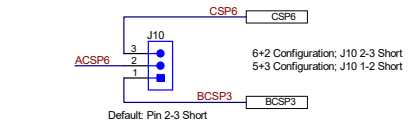
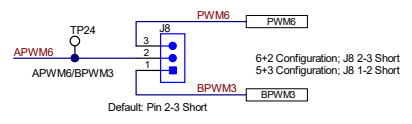
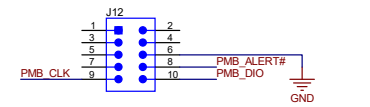
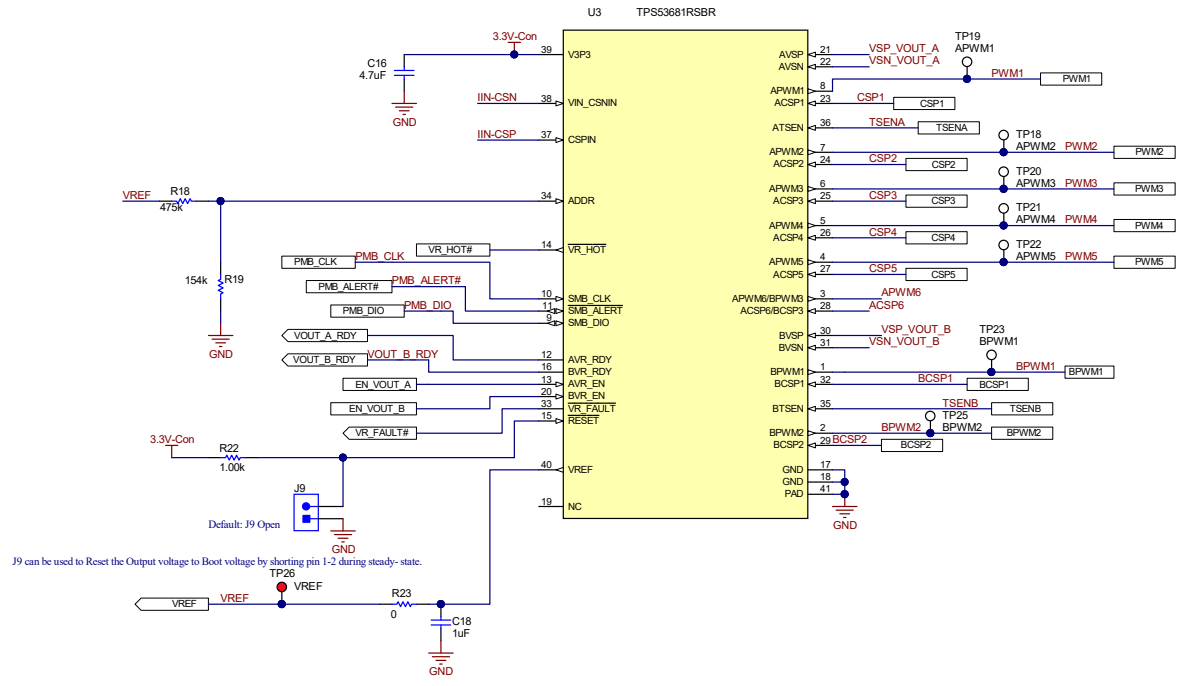
On-board LDO
 3.3V for controller if not supplied externally
 1.8V used for helper circuits



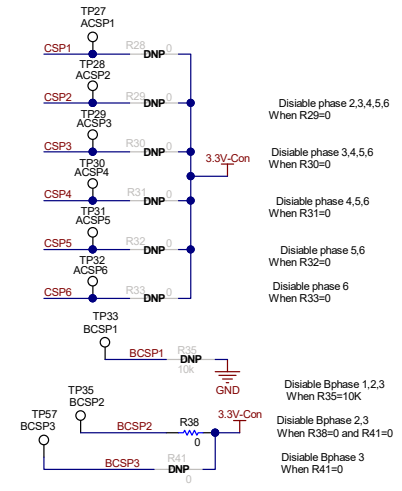
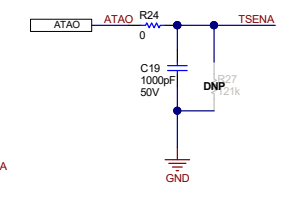
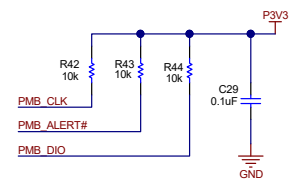
Texas Instruments and/or its licensors do not warrant the accuracy or completeness of this specification or any information contained therein. Texas Instruments and/or its licensors do not warrant that this design will meet the specifications, will be suitable for your application or fit for any particular purpose, or will operate in an implementation. Texas Instruments and/or its licensors do not warrant that the design is production worthy. You should completely validate and test your design implementation to confirm the system functionality for your application.

Orderable: TPSS3681EVM-002	Designed for:	Mod. Date: 10/12/2017
TID #: TIDA-050020	Project Title: TIDA-050020	
Number: TIDA-050020 Rev. A	Sheet Title:	
SVN Rev. Not in version control	Assembly Variant: 001	Sheet 2 of 10
Drawn By:	File: TIDA-050020_Aux Power_SchDoc	Size: B
Engineer: C. Pansi	Contact: http://www.ti.com/support	

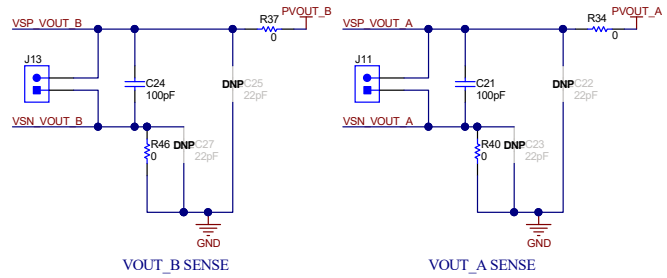
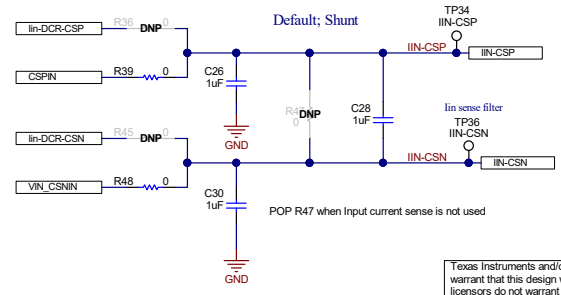
VoutA = 0.85V TYP
 IoutA = 240A MAX
 VoutB = 0.8V TYP
 IoutB = 20A MAX



J9 can be used to Reset the Output voltage to Boot voltage by shorting pin 1-2 during steady-state.



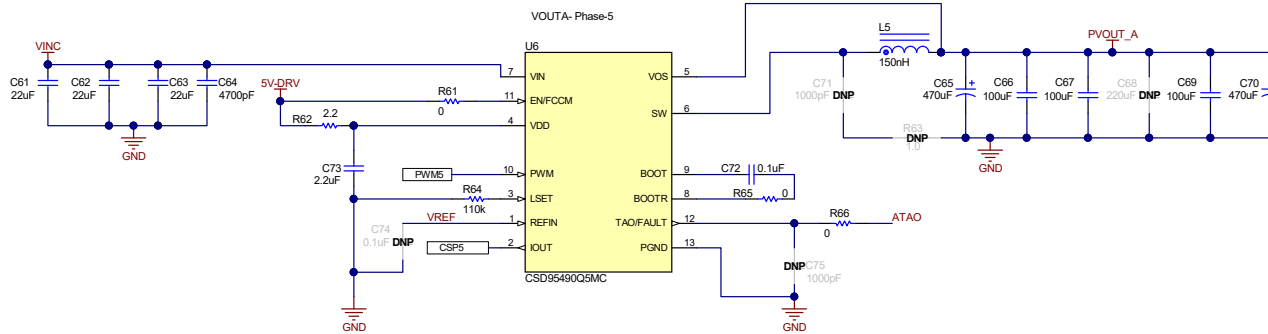
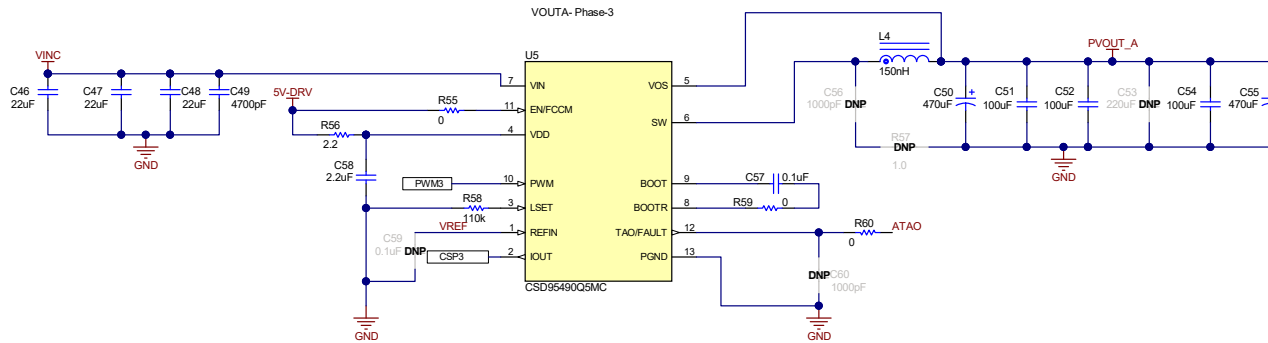
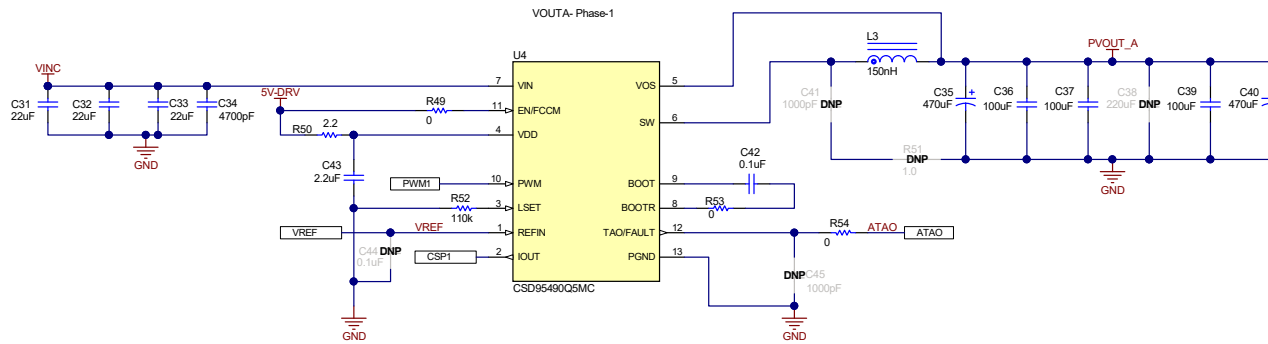
Select DCR or Shunt
 DCR Sense: POP R36 and R45 , NOPOP R39 and R48
 Shunt: POP R39 and R48 , NOPOP R36 and R45



Texas Instruments and/or its licensors do not warrant the accuracy or completeness of this specification or any information contained therein. Texas Instruments and/or its licensors do not warrant that this design will meet the specifications, will be suitable for your application or fit for any particular purpose, or will operate in an implementation. Texas Instruments and/or its licensors do not warrant that the design is production worthy. You should completely validate and test your design implementation to confirm the system functionality for your application.

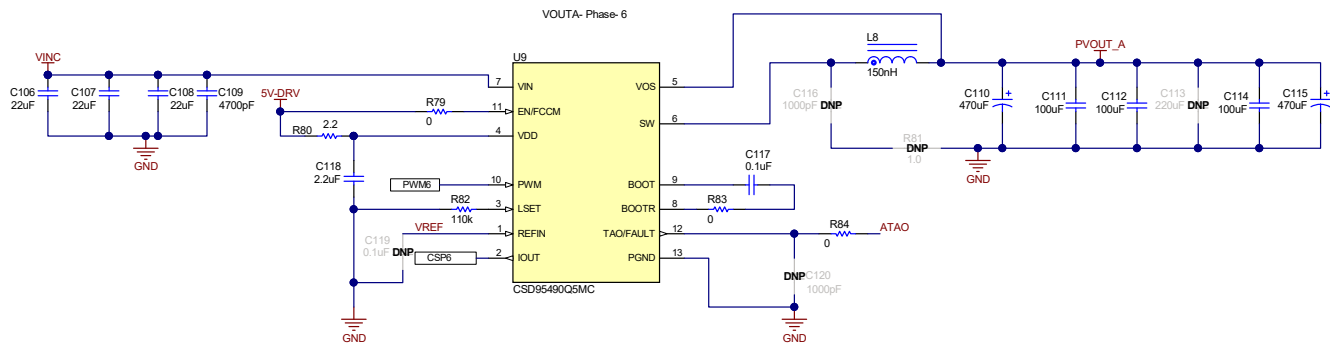
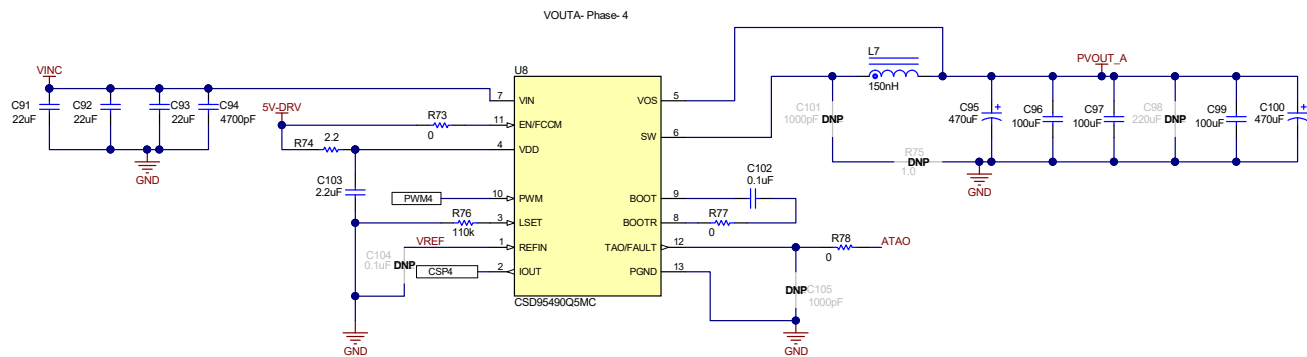
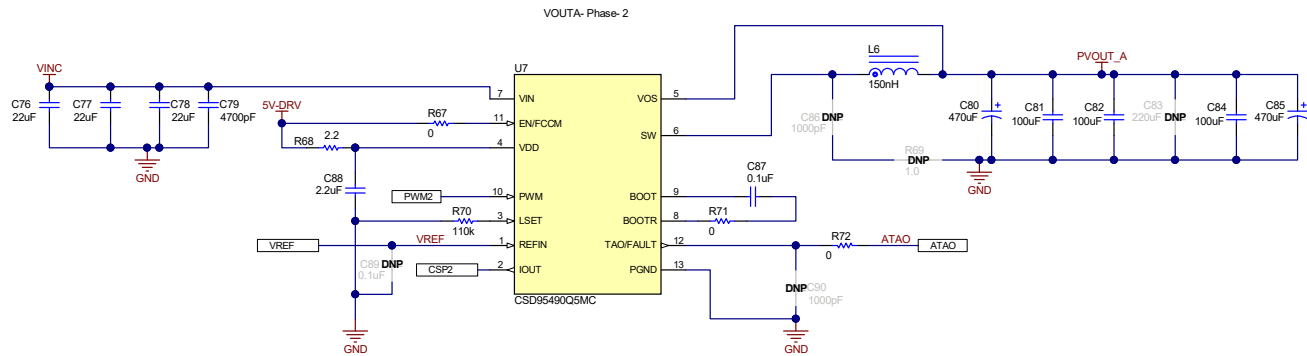
Orderable: TP53681EVM-002	Designed for: TIDA-050020	Mod. Date: 1/2/2019
TID #: TIDA-050020	Project Title: TIDA-050020	
Number: TIDA-050020 Rev: A	Sheet Title:	
SVN Rev. Not in version control	Assembly Variant: 001	Sheet: 3 of 10
Drawn By:	File: TIDA-050020 CONTROLLER_SchDoc	Size: B
Engineer: C. Pansi	Contact: http://www.ti.com/support	http://www.ti.com





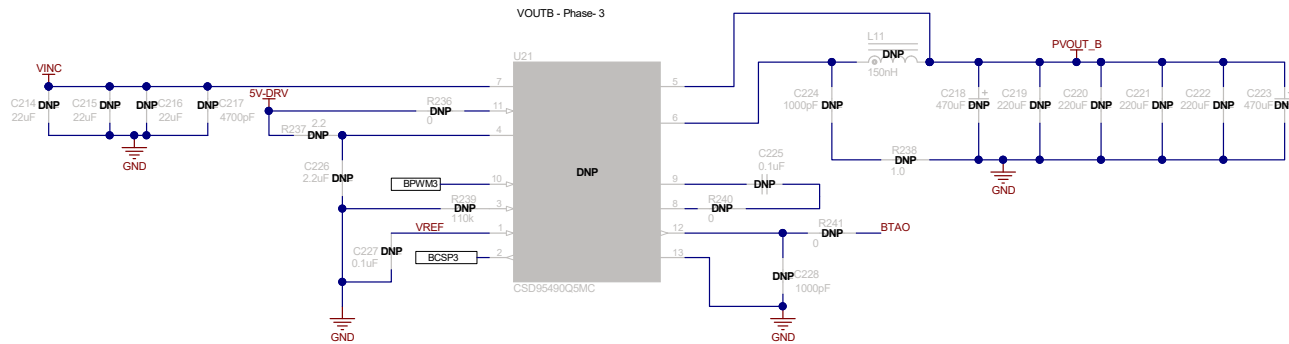
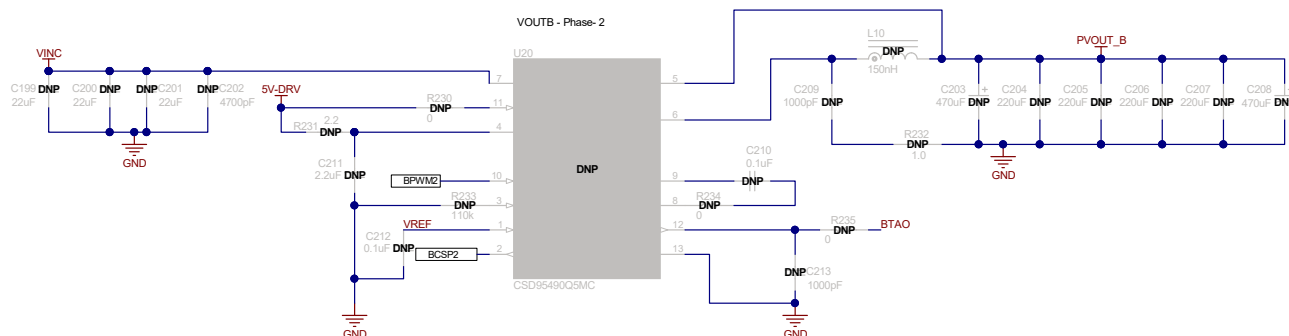
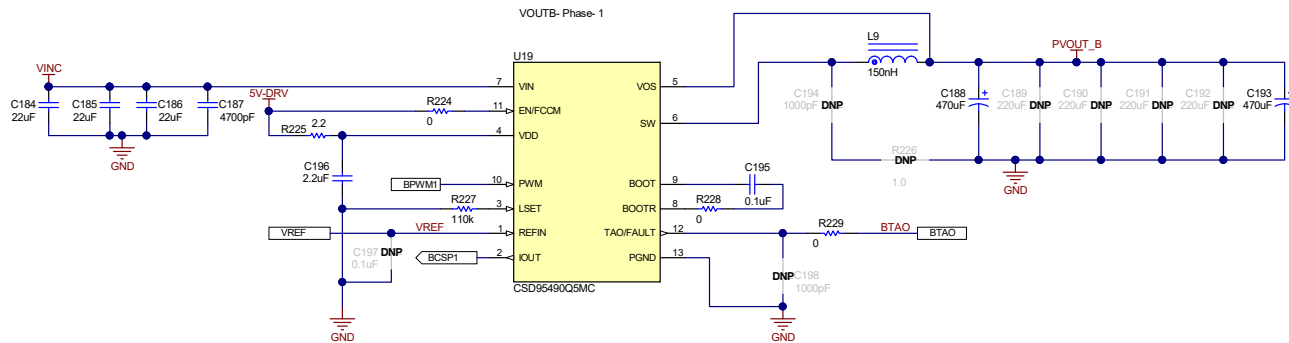
Texas Instruments and/or its licensors do not warrant the accuracy or completeness of this specification or any information contained therein. Texas Instruments and/or its licensors do not warrant that this design will meet the specifications, will be suitable for your application or fit for any particular purpose, or will operate in an implementation. Texas Instruments and/or its licensors do not warrant that the design is production worthy. You should completely validate and test your design implementation to confirm the system functionality for your application.

Orderable: TPSS3681EVM-002	Designed for:	Mod. Date: 1/2/2019
TID #: TIDA-050020	Project Title: TIDA-050020	
Number: TIDA-050020 Rev: A	Sheet Title:	
SVN Rev. Not in version control	Assembly Variant: 001	Sheet 4 of 10
Drawn By:	File: TIDA-050020_VOUT_A Phases 1-3-5.SchDoc	Size: B
Engineer: C. Pansi	Contact: http://www.ti.com/support	



Texas Instruments and/or its licensors do not warrant the accuracy or completeness of this specification or any information contained therein. Texas Instruments and/or its licensors do not warrant that this design will meet the specifications, will be suitable for your application or fit for any particular purpose, or will operate in an implementation. Texas Instruments and/or its licensors do not warrant that the design is production worthy. You should completely validate and test your design implementation to confirm the system functionality for your application.

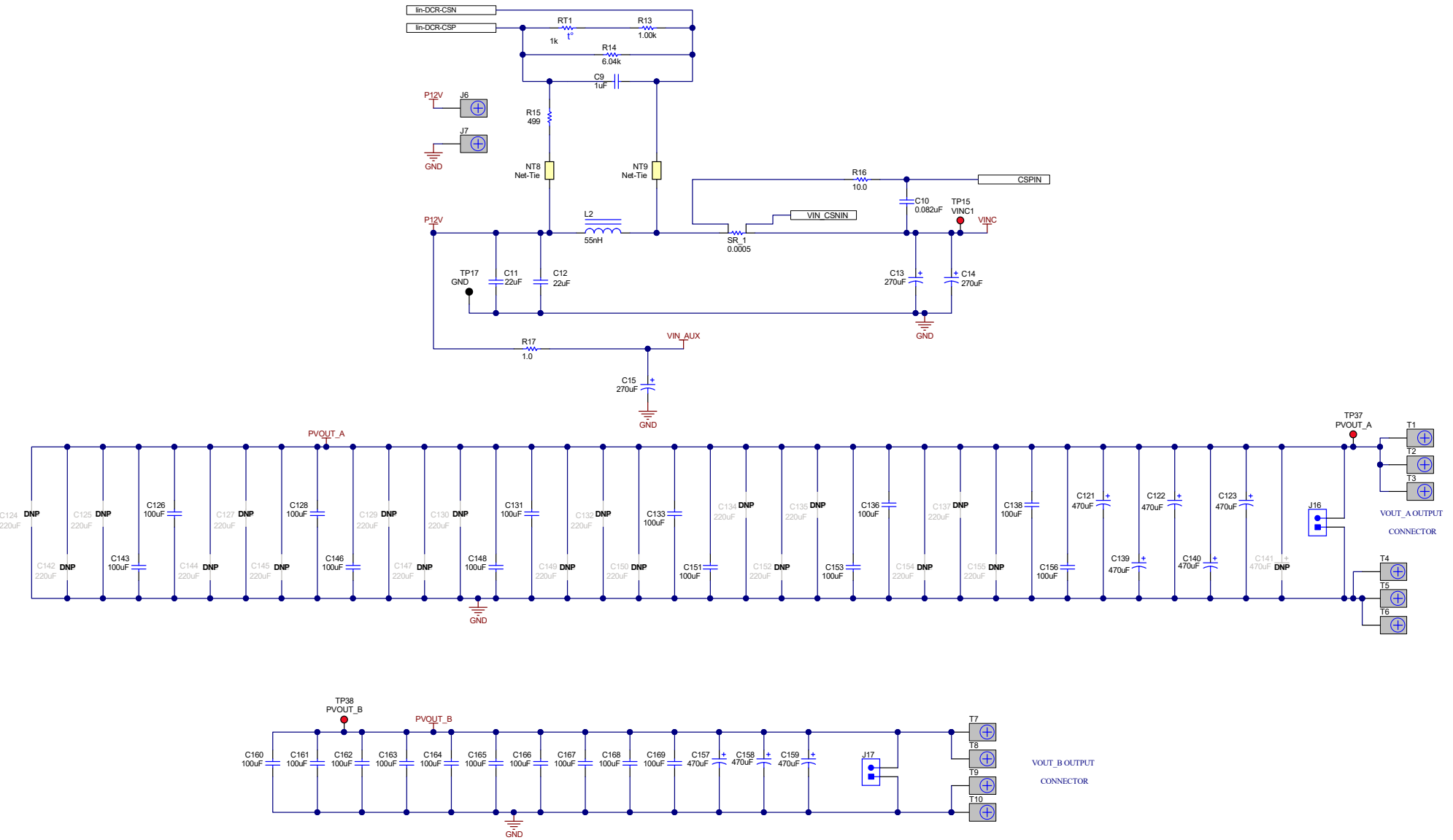
Orderable: TPSS3681EVM-002	Designed for:	Mod. Date: 1/2/2019
TID #: TIDA-050020	Project Title: TIDA-050020	
Number: TIDA-050020 Rev: A	Sheet Title:	
SVN Rev. Not in version control	Assembly Variant: 001	Sheet: 5 of 10
Drawn By:	File: TIDA-050020_VOUT_A Phases 2-4-6.SchDoc	Size: B
Engineer: C. Pansi	Contact: http://www.ti.com/support	



Texas Instruments and/or its licensors do not warrant the accuracy or completeness of this specification or any information contained therein. Texas Instruments and/or its licensors do not warrant that this design will meet the specifications, will be suitable for your application or fit for any particular purpose, or will operate in an implementation. Texas Instruments and/or its licensors do not warrant that the design is production worthy. You should completely validate and test your design implementation to confirm the system functionality for your application.

Orderable: TPSS3681EVM-002	Designed for:	Mod. Date: 1/2/2019
TID #: TIDA-050020	Project Title: TIDA-050020	
Number: TIDA-050020 Rev: A	Sheet Title:	
SVN Rev. Not in version control	Assembly Variant: 001	Sheet: 6 of 10
Drawn By:	File: TIDA-050020_VOUT_B Rail SchDoc	Size: B
Engineer: C. Pansi	Contact: http://www.ti.com/support	http://www.ti.com

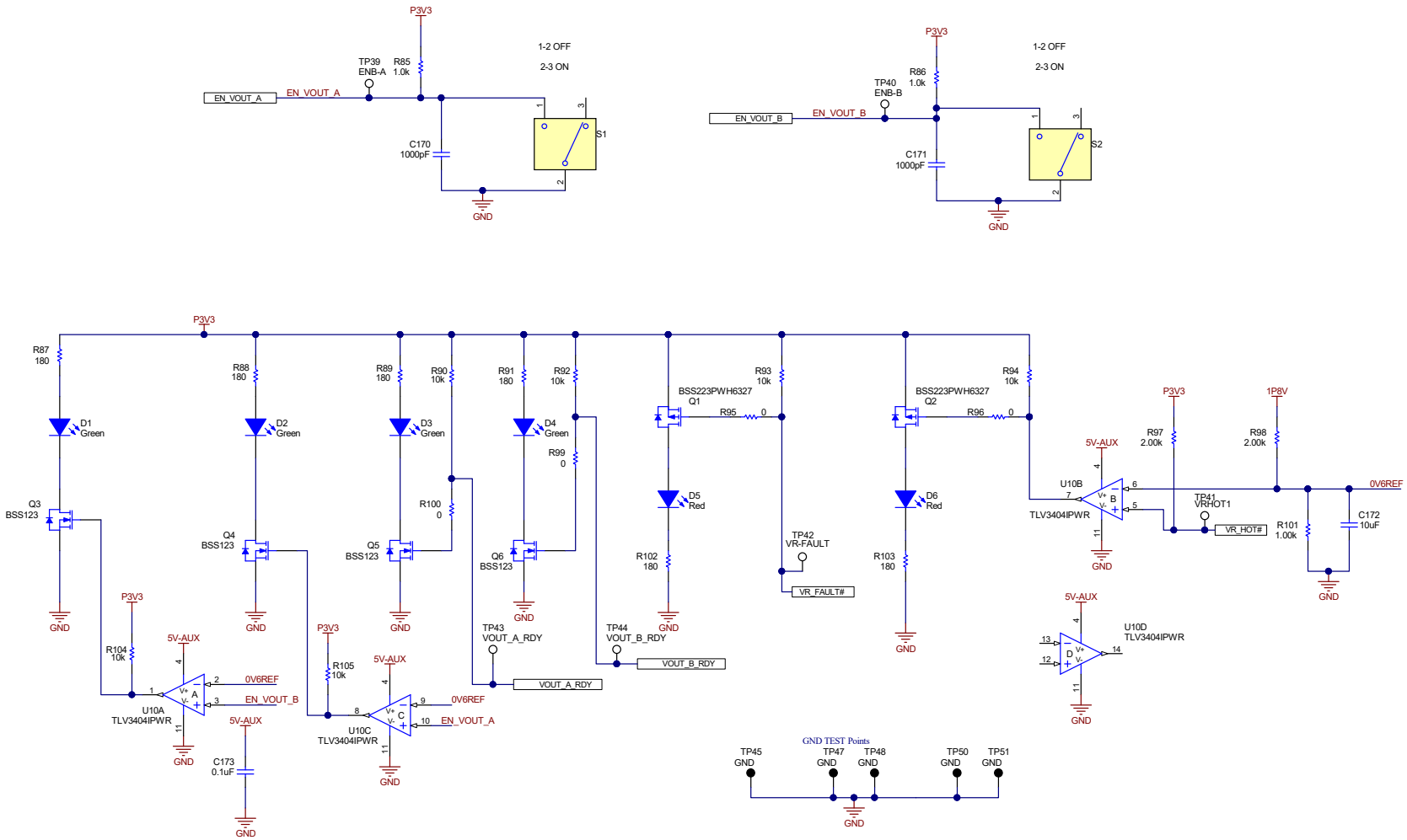




Texas Instruments and/or its licensors do not warrant the accuracy or completeness of this specification or any information contained therein. Texas Instruments and/or its licensors do not warrant that this design will meet the specifications, will be suitable for your application or fit for any particular purpose, or will operate in an implementation. Texas Instruments and/or its licensors do not warrant that the design is production worthy. You should completely validate and test your design implementation to confirm the system functionality for your application.

Orderable: TPSS3681EVM-002	Designed for:	Mod. Date: 1/2/2019
TID #: TIDA-050020	Project Title: TIDA-050020	
Number: TIDA-050020 Rev: A	Sheet Title:	
SVN Rev. Not in version control	Assembly Variant: 001	Sheet: 7 of 10
Drawn By:	File: TIDA-050020_Filters_SchDoc	Size: B
Engineer: C. Pansi	Contact: http://www.ti.com/support	http://www.ti.com

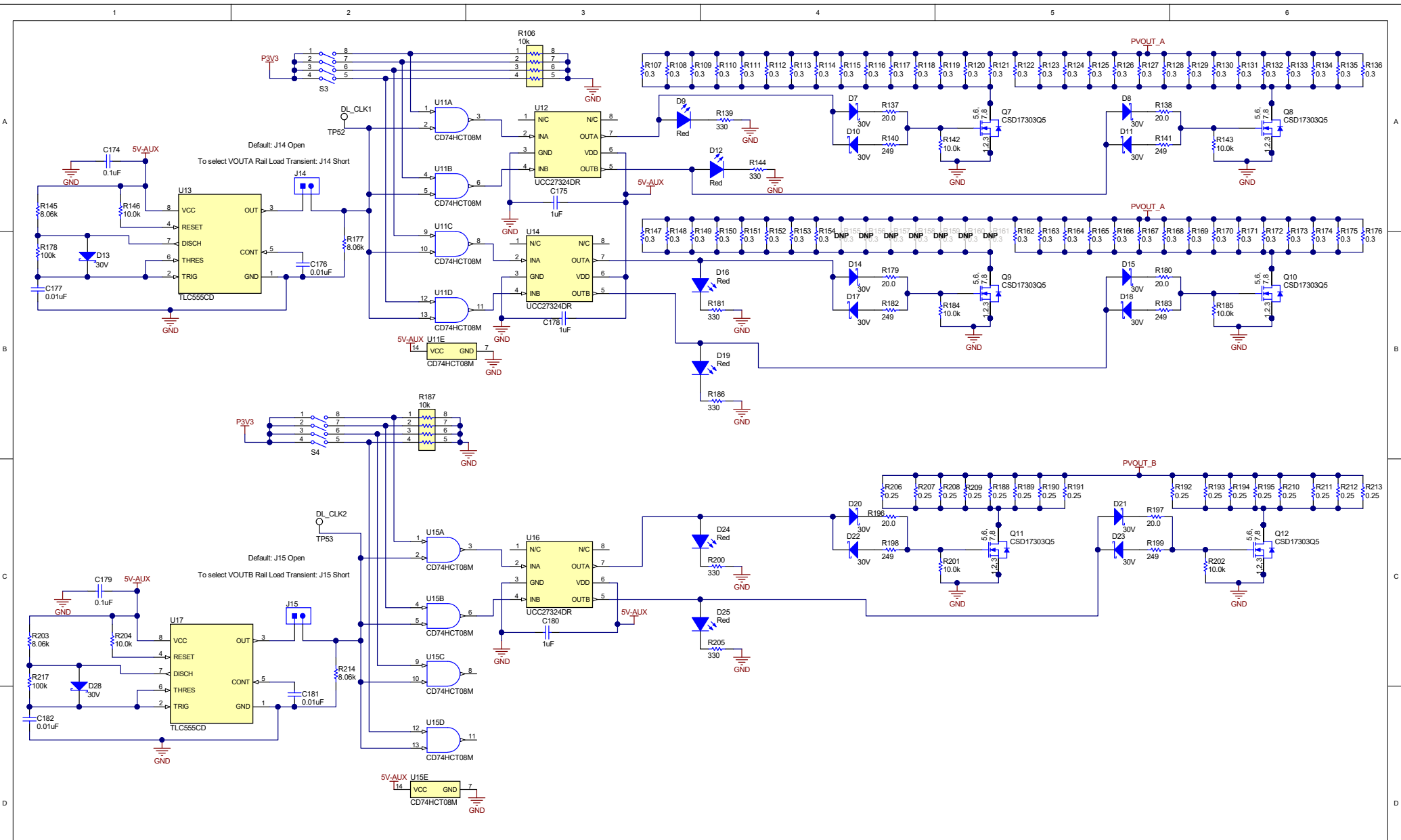




Texas Instruments and/or its licensors do not warrant the accuracy or completeness of this specification or any information contained therein. Texas Instruments and/or its licensors do not warrant that this design will meet the specifications, will be suitable for your application or fit for any particular purpose, or will operate in an implementation. Texas Instruments and/or its licensors do not warrant that the design is production worthy. You should completely validate and test your design implementation to confirm the system functionality for your application.

Orderable: TPSS3681EVM-002	Designed for:	Mod. Date: 10/12/2017
TID #: TIDA-050020	Project Title: TIDA-050020	
Number: TIDA-050020 Rev: A	Sheet Title:	
SVN Rev: Not in version control	Assembly Variant: 001	Sheet: 8 of 10
Drawn By:	File: TIDA-050020_Helper Circuits and Indicator LEDs_Sch06	http://www.ti.com
Engineer: C. Pansi	Contact: http://www.ti.com/support	© Texas Instruments 2017





Texas Instruments and/or its licensors do not warrant the accuracy or completeness of this specification or any information contained therein. Texas Instruments and/or its licensors do not warrant that this design will meet the specifications, will be suitable for your application or fit for any particular purpose, or will operate in an implementation. Texas Instruments and/or its licensors do not warrant that the design is production worthy. You should completely validate and test your design implementation to confirm the system functionality for your application.

Orderable: TPSS3681EVM-002	Designed for:	Mod. Date: 1/2/2019
TID #: TIDA-050020	Project Title: TIDA-050020	
Number: TIDA-050020 Rev: A	Sheet Title:	
SVN Rev. Not in version control	Assembly Variant: 001	Sheet: 9 of 10
Drawn By:	File: TIDA-050020_Dynamic Load SchDoc	Size: B
Engineer: C. Pansi	Contact: http://www.ti.com/support	http://www.ti.com



© Texas Instruments 2017

IMPORTANT NOTICE AND DISCLAIMER

TI PROVIDES TECHNICAL AND RELIABILITY DATA (INCLUDING DATASHEETS), DESIGN RESOURCES (INCLUDING REFERENCE DESIGNS), APPLICATION OR OTHER DESIGN ADVICE, WEB TOOLS, SAFETY INFORMATION, AND OTHER RESOURCES "AS IS" AND WITH ALL FAULTS, AND DISCLAIMS ALL WARRANTIES, EXPRESS AND IMPLIED, INCLUDING WITHOUT LIMITATION ANY IMPLIED WARRANTIES OF MERCHANTABILITY, FITNESS FOR A PARTICULAR PURPOSE OR NON-INFRINGEMENT OF THIRD PARTY INTELLECTUAL PROPERTY RIGHTS.

These resources are intended for skilled developers designing with TI products. You are solely responsible for (1) selecting the appropriate TI products for your application, (2) designing, validating and testing your application, and (3) ensuring your application meets applicable standards, and any other safety, security, or other requirements. These resources are subject to change without notice. TI grants you permission to use these resources only for development of an application that uses the TI products described in the resource. Other reproduction and display of these resources is prohibited. No license is granted to any other TI intellectual property right or to any third party intellectual property right. TI disclaims responsibility for, and you will fully indemnify TI and its representatives against, any claims, damages, costs, losses, and liabilities arising out of your use of these resources.

TI's products are provided subject to TI's Terms of Sale (www.ti.com/legal/termsofsale.html) or other applicable terms available either on ti.com or provided in conjunction with such TI products. TI's provision of these resources does not expand or otherwise alter TI's applicable warranties or warranty disclaimers for TI products.

Mailing Address: Texas Instruments, Post Office Box 655303, Dallas, Texas 75265
Copyright © 2019, Texas Instruments Incorporated