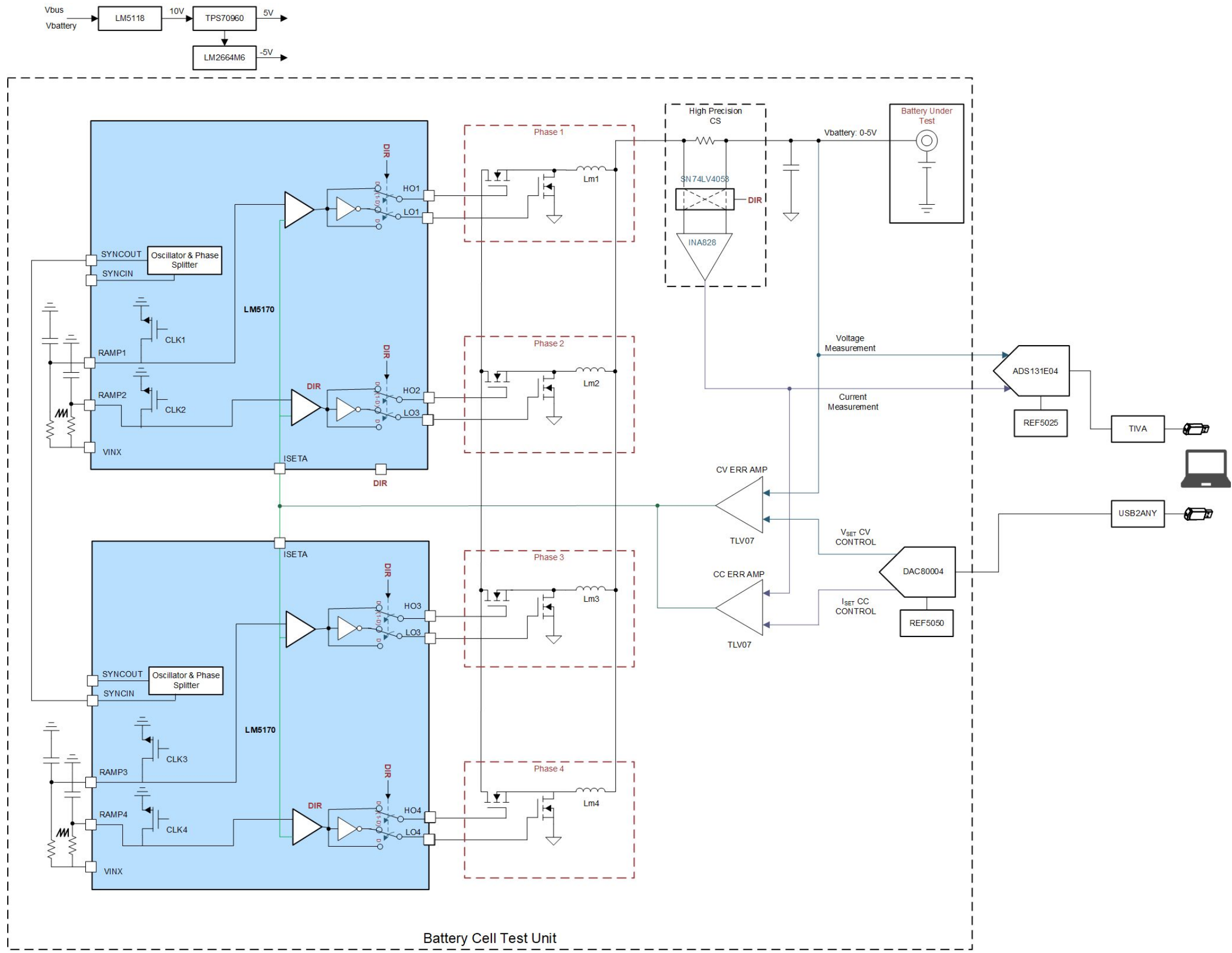


Revision History	
Revision	Notes



Texas Instruments and/or its licensors do not warrant the accuracy or completeness of this specification or any information contained therein. Texas Instruments and/or its licensors do not warrant that this design will meet the specifications, will be suitable for your application or fit for any particular purpose, or will operate in an implementation. Texas Instruments and/or its licensors do not warrant that the design is production worthy. You should completely validate and test your design implementation to confirm the system functionality for your application.

H1 NY PMS 440 0025 PH H2 NY PMS 440 0025 PH H3 NY PMS 440 0025 PH H4 NY PMS 440 0025 PH H9 NY PMS 440 0025 PH H10 NY PMS 440 0025 PH

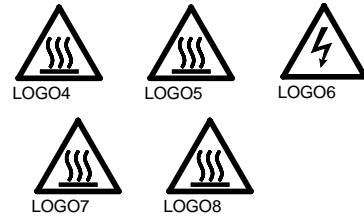
H5 2205 H6 2205 H7 2205 H8 2205 H11 2205 H12 2205

FID1 FID2 FID3 FID4 FID5 FID6

PCB Number: TIDA-01041
PCB Rev: A

Logo2
PCB
LOGO
Pb-Free Symbol

PCB
LOGO
FCC disclaimer



Label Table

Variant	Label Text
001	
002	

LBL1
PCB Label

ZZ1
Label Assembly Note
This Assembly Note is for PCB labels only

ZZ2
Assembly Note
These assemblies are ESD sensitive, ESD precautions shall be observed.

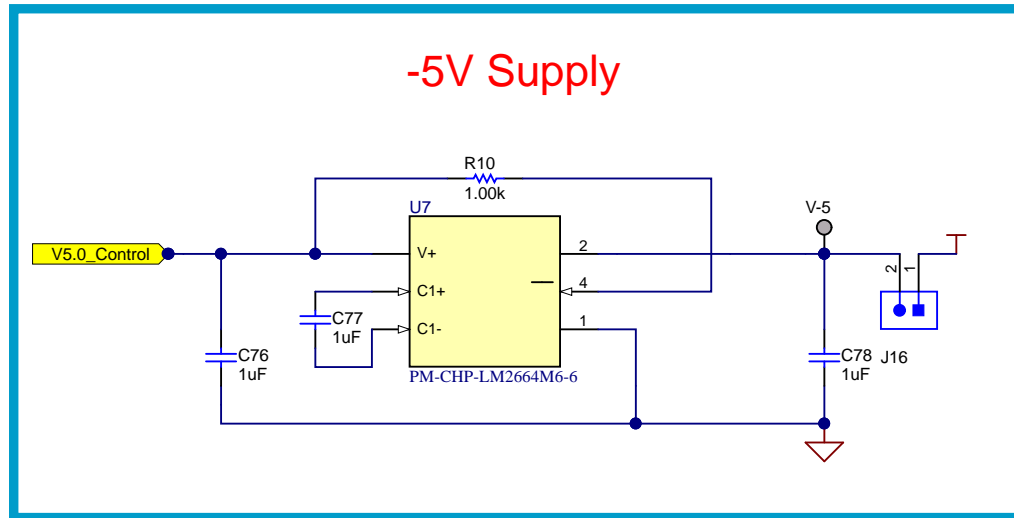
ZZ3
Assembly Note
These assemblies must be clean and free from flux and all contaminants. Use of no clean flux is not acceptable.

ZZ4
Assembly Note
These assemblies must comply with workmanship standards IPC-A-610 Class 2, unless otherwise specified.

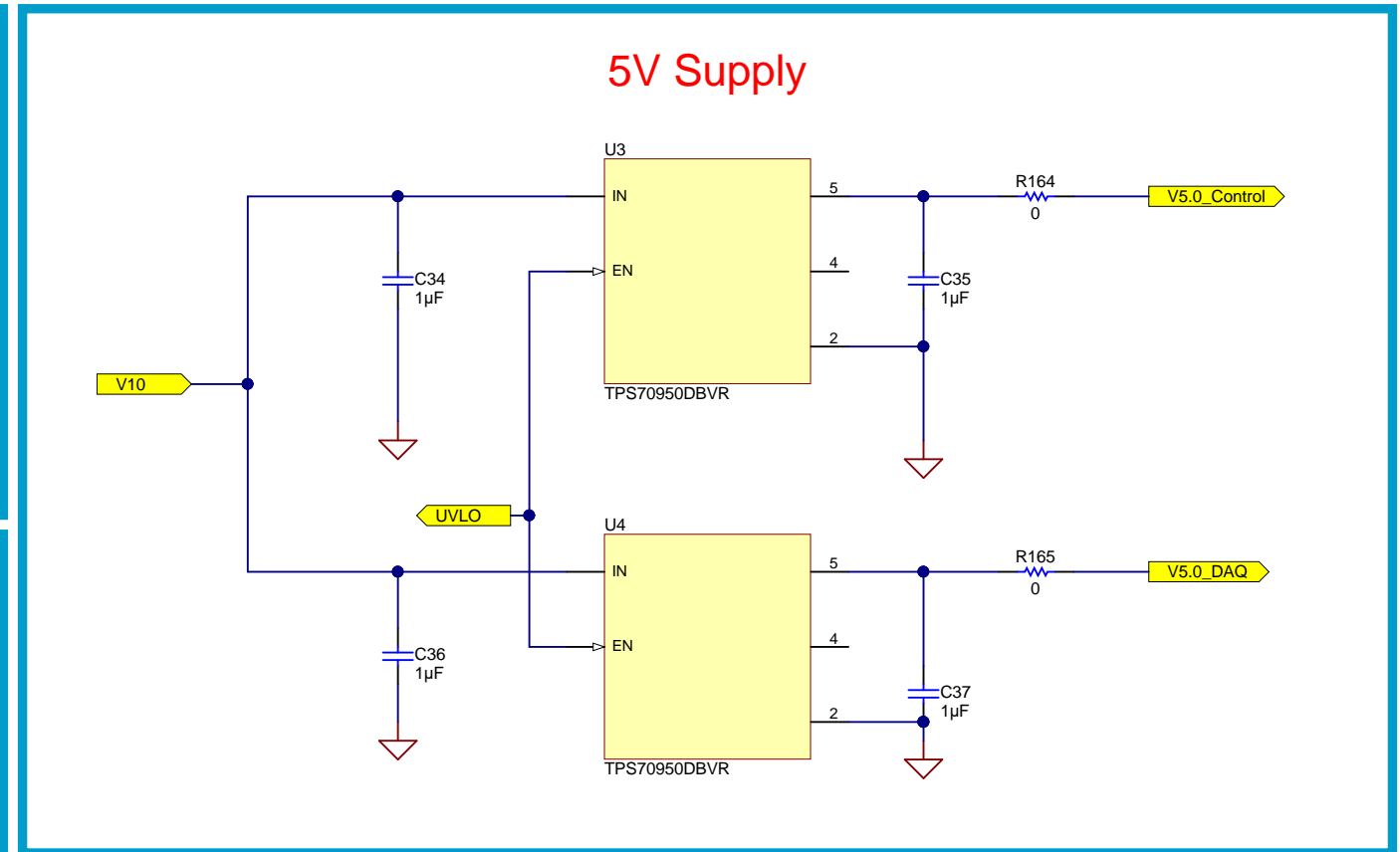
Texas Instruments and/or its licensors do not warrant the accuracy or completeness of this specification or any information contained therein. Texas Instruments and/or its licensors do not warrant that this design will meet the specifications, will be suitable for your application or fit for any particular purpose, or will operate in an implementation. Texas Instruments and/or its licensors do not warrant that the design is production worthy. You should completely validate and test your design implementation to confirm the system functionality for your application.

Orderable: N/A	Designed for: Public Release	Mod. Date: 2/19/2019	<p>TEXAS INSTRUMENTS http://www.ti.com © Texas Instruments 2018</p>
TID #: TIDA-01041	Project Title: Battery tester reference design for multiphase high-		
Number: TIDA-01041	Rev: A	Sheet Title: Hardware	
SVN Rev: Version control disabled	Assembly Variant: 001	Sheet: 2 of 11	
Drawn By:	File: SV601272A-HW_SchDoc	Size: B	
Engineer: Michael Balourdas, Taras DODat	Contact: http://www.ti.com/support		

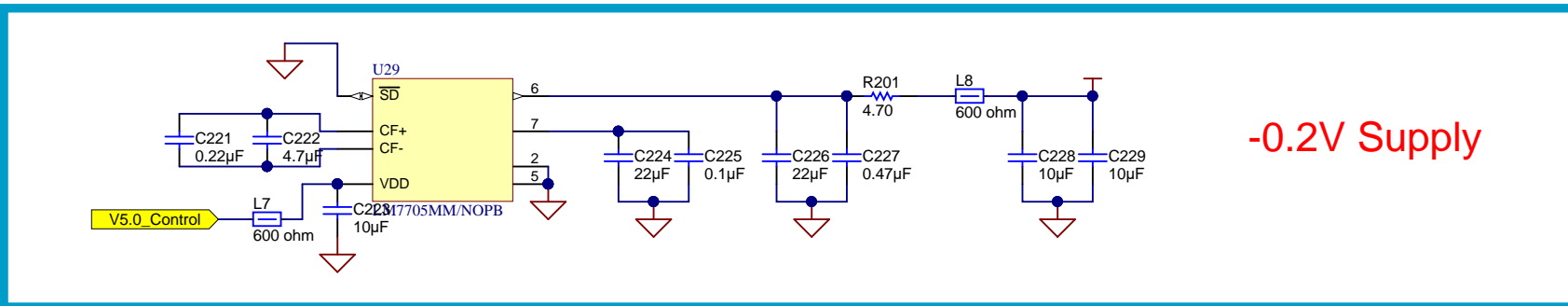
-5V Supply



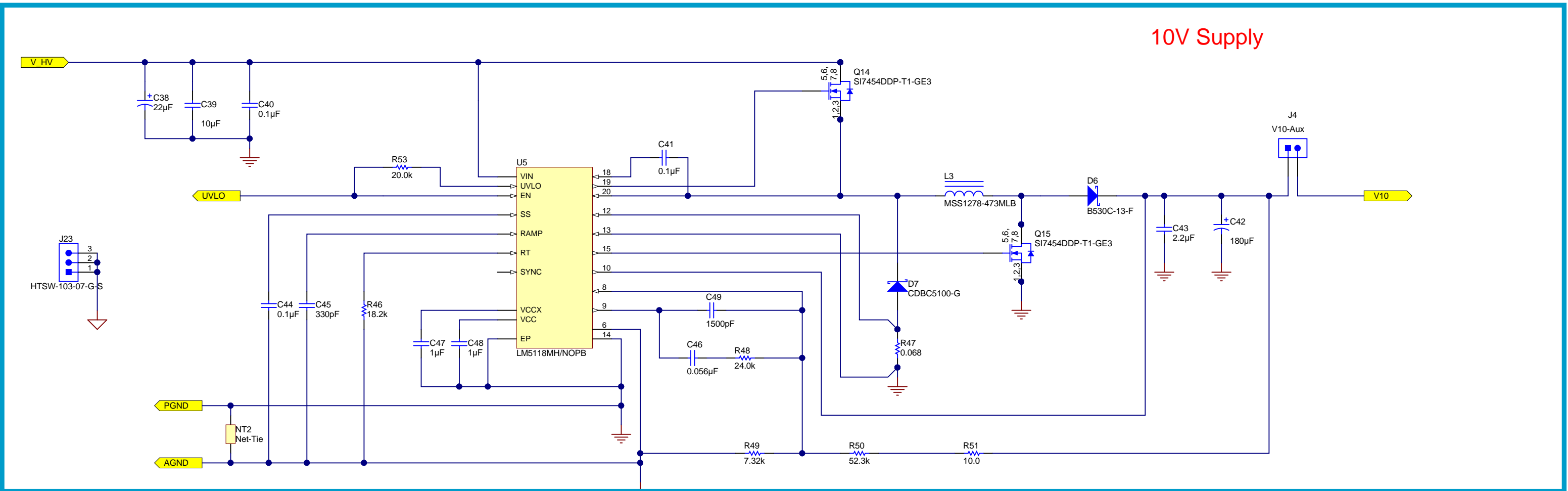
5V Supply



-0.2V Supply



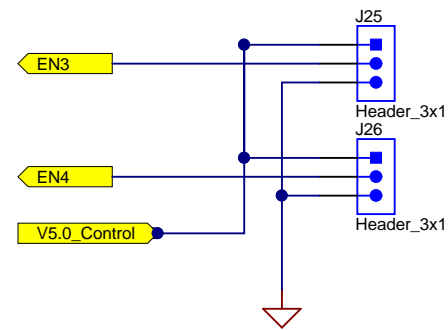
10V Supply



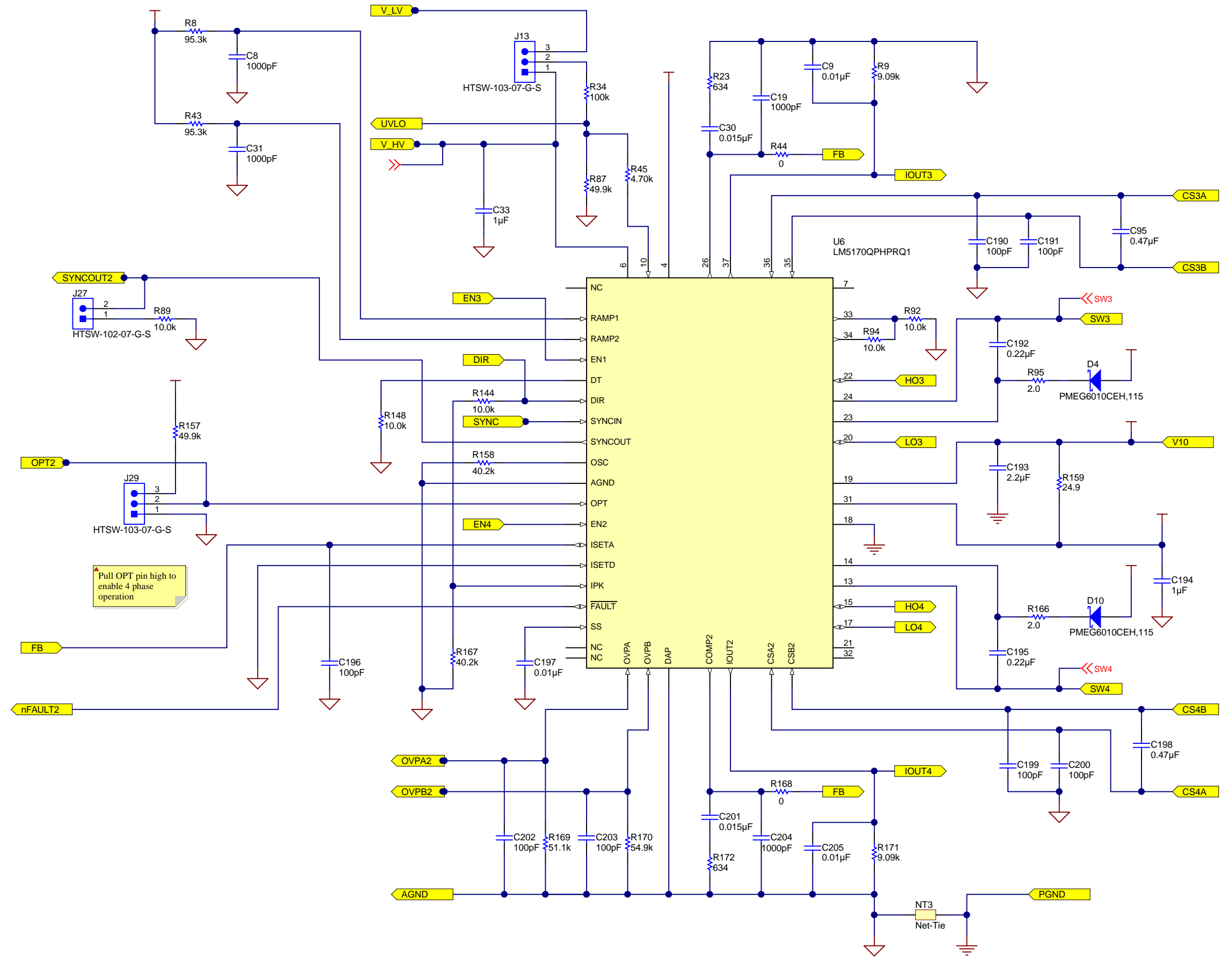
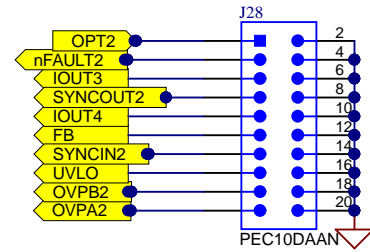
Texas Instruments and/or its licensors do not warrant the accuracy or completeness of this specification or any information contained therein. Texas Instruments and/or its licensors do not warrant that this design will meet the specifications, will be suitable for your application or fit for any particular purpose, or will operate in an implementation. Texas Instruments and/or its licensors do not warrant that the design is production worthy. You should completely validate and test your design implementation to confirm the system functionality for your application.

Orderable: N/A	Designed for: Public Release	Mod. Date: 2/19/2019
TID #: TIDA-01041	Project Title: Battery tester reference design for multiphase high-	
Number: TIDA-01041	Rev: A	Sheet Title: Bias Supply
SVN Rev: Version control disabled	Assembly Variant: 001	Sheet: 3 of 11
Drawn By:	File: SV601272A-Bias.SchDoc	Size: B
Engineer: Michael Balourdas, Taras DODat	DocuLink: http://www.ti.com/support	

Enable Jumpers



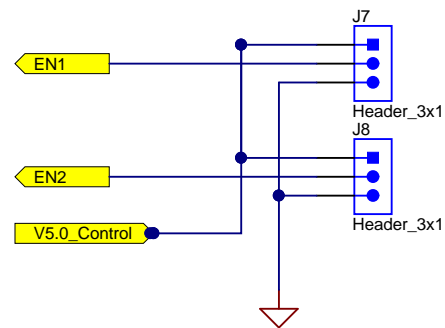
Optional Ground Jumpers



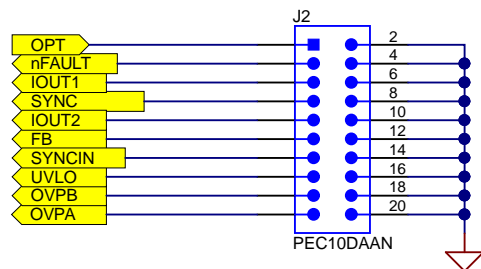
Texas Instruments and/or its licensors do not warrant the accuracy or completeness of this specification or any information contained therein. Texas Instruments and/or its licensors do not warrant that this design will meet the specifications, will be suitable for your application or fit for any particular purpose, or will operate in an implementation. Texas Instruments and/or its licensors do not warrant that the design is production worthy. You should completely validate and test your design implementation to confirm the system functionality for your application.

Orderable: N/A	Designed for: Public Release	Mod. Date: 2/19/2019
TID #: TIDA-01041	Project Title: Battery tester reference design for multiphase high-	
Number: TIDA-01041	Rev: A	Sheet Title: Controller
SVN Rev: Version control disabled	Assembly Variant: 001	Sheet: 4 of 11
Drawn By:	File: SV601272A-Controller2.SchDoc	Size: B
Engineer: Michael Balourdas, Taras D	DocuDate: http://www.ti.com/support	

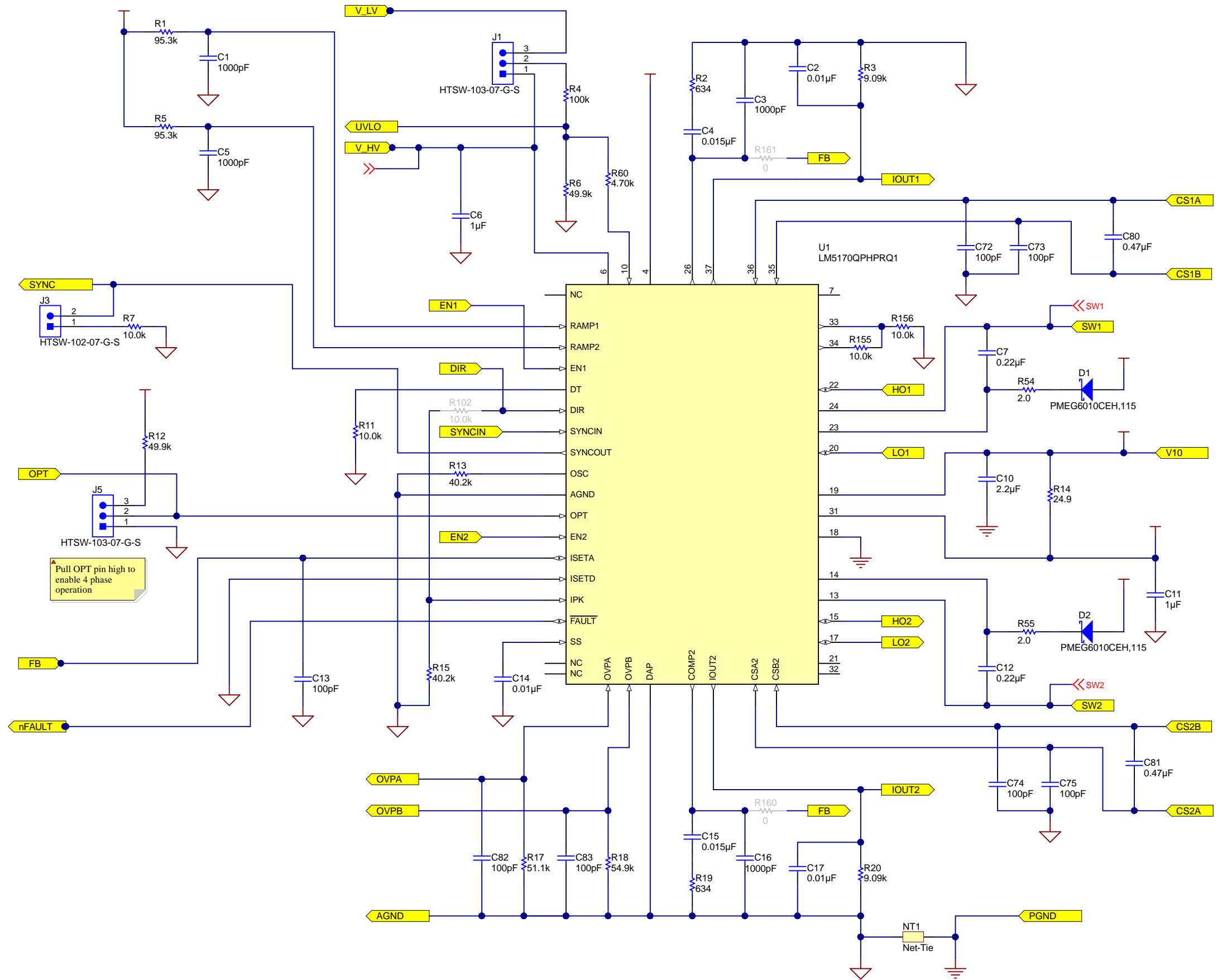
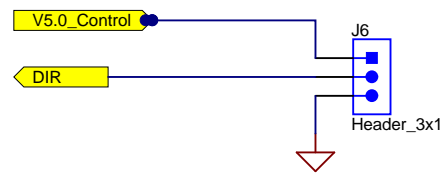
Enable Jumpers



Optional Ground Jumpers

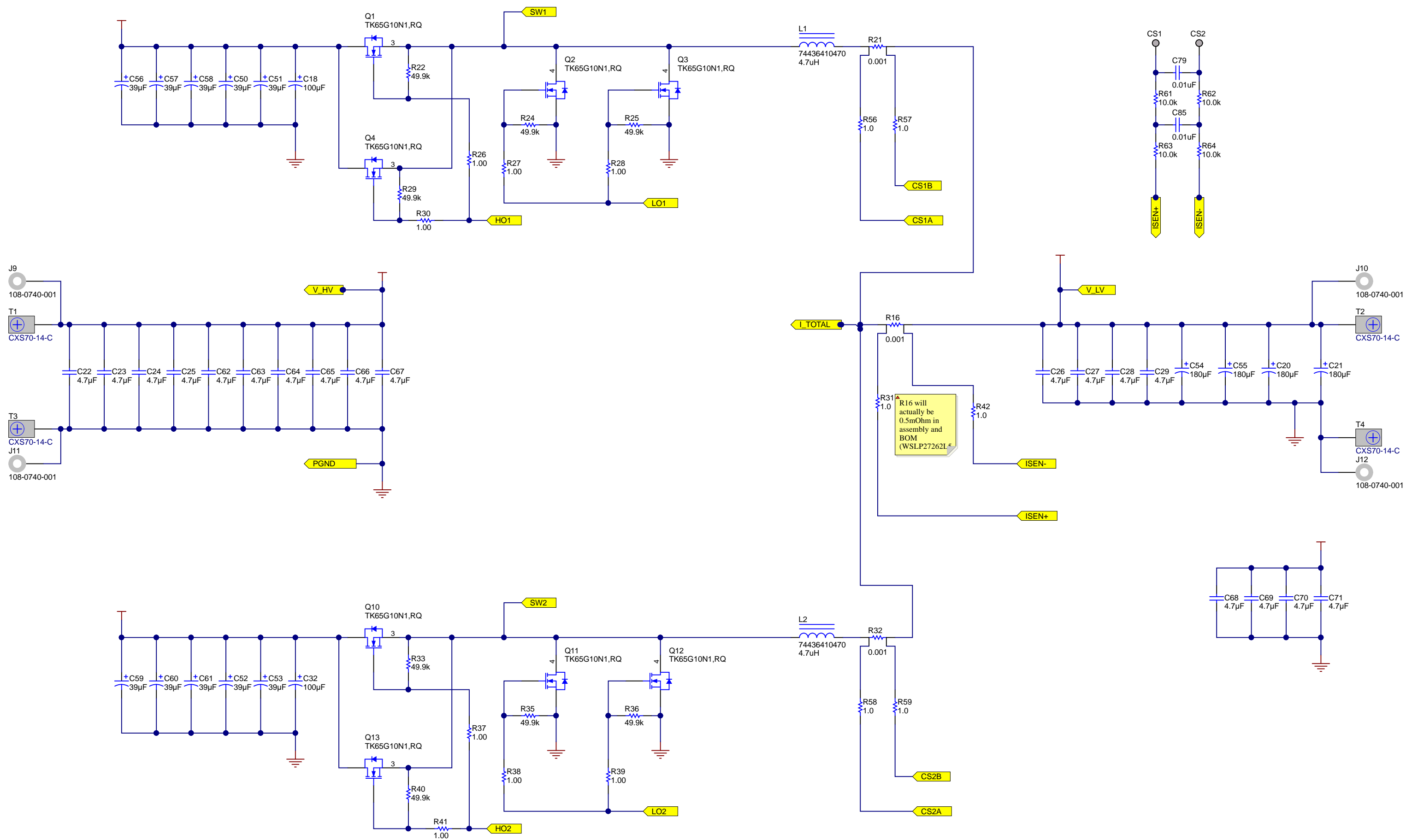


Direction Control



Texas Instruments and/or its licensors do not warrant the accuracy or completeness of this specification or any information contained therein. Texas Instruments and/or its licensors do not warrant that this design will meet the specifications, will be suitable for your application or fit for any particular purpose, or will operate in an implementation. Texas Instruments and/or its licensors do not warrant that the design is production worthy. You should completely validate and test your design implementation to confirm the system functionality for your application.

Orderable: N/A	Designed for: Public Release	Mod. Date: 2/19/2019
TID #: TIDA-01041	Project Title: Battery tester reference design for multiphase high-	
Number: TIDA-01041	Rev: A	Sheet Title: Controller
SVN Rev: Version control disabled	Assembly Variant: 001	Sheet: 4 of 11
Drawn By:	File: SV601272A-Controller1.SchDoc	Size: B
Engineer: Michael Balourdas, Taras DODat	DocuLink: http://www.ti.com/support	



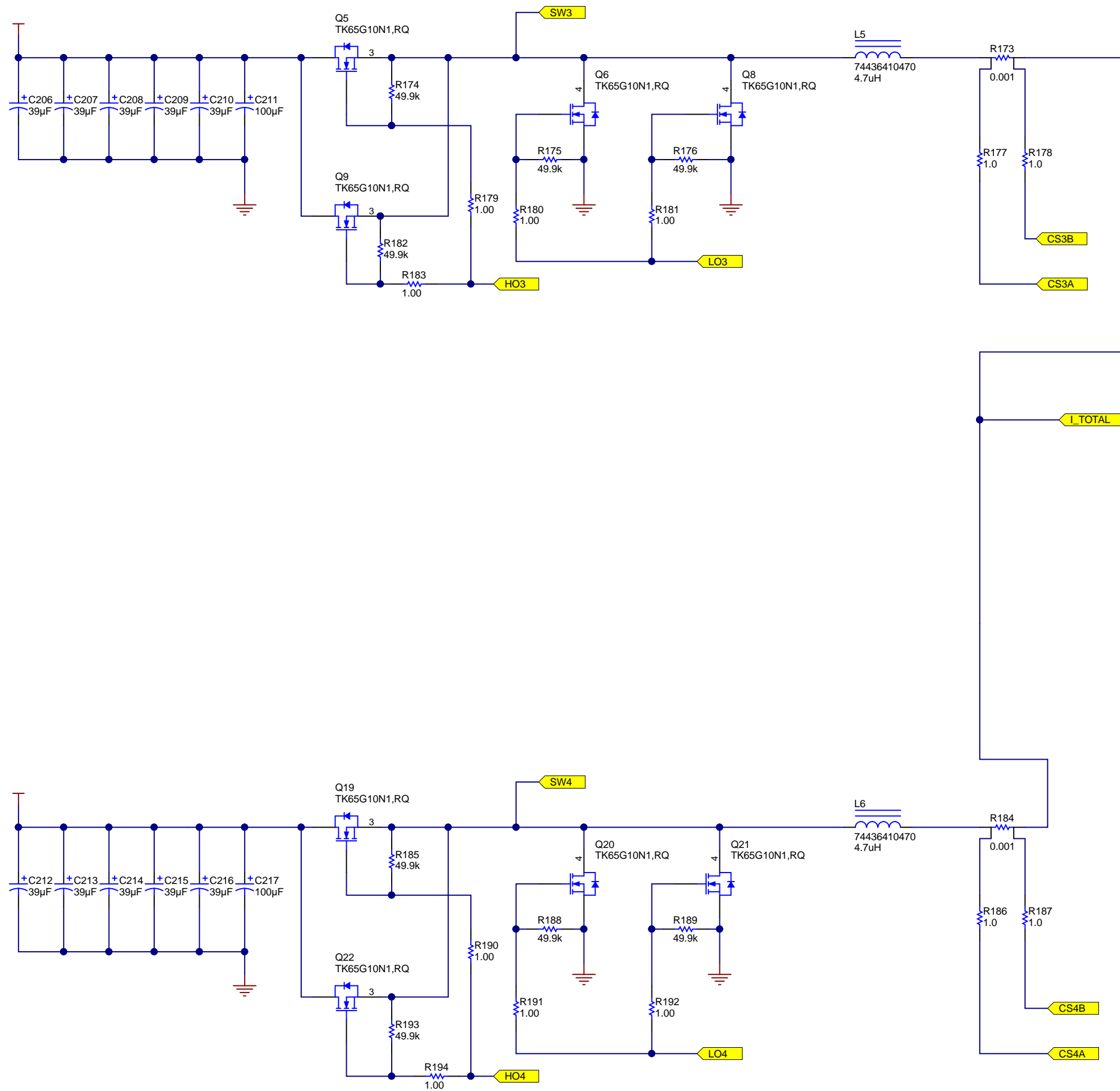
R16 will actually be 0.5mOhm in assembly and BOM (W5L2P27262L5)

Texas Instruments and/or its licensors do not warrant the accuracy or completeness of this specification or any information contained therein. Texas Instruments and/or its licensors do not warrant that this design will meet the specifications, will be suitable for your application or fit for any particular purpose, or will operate in an implementation. Texas Instruments and/or its licensors do not warrant that the design is production worthy. You should completely validate and test your design implementation to confirm the system functionality for your application.

Orderable: N/A	Designed for: Public Release	Mod. Date: 2/19/2019
TID #: TIDA-01041	Project Title: Battery tester reference design for multiphase high-	
Number: TIDA-01041	Rev: A	Sheet Title: Power Stage
SVN Rev: Version control disabled	Assembly Variant: 001	Sheet: 5 of 11
Drawn By:	File: SV601272A-Power.SchDoc	Size: B
Engineer: Michael Balourdas, Taras DODact	http://www.ti.com/support	



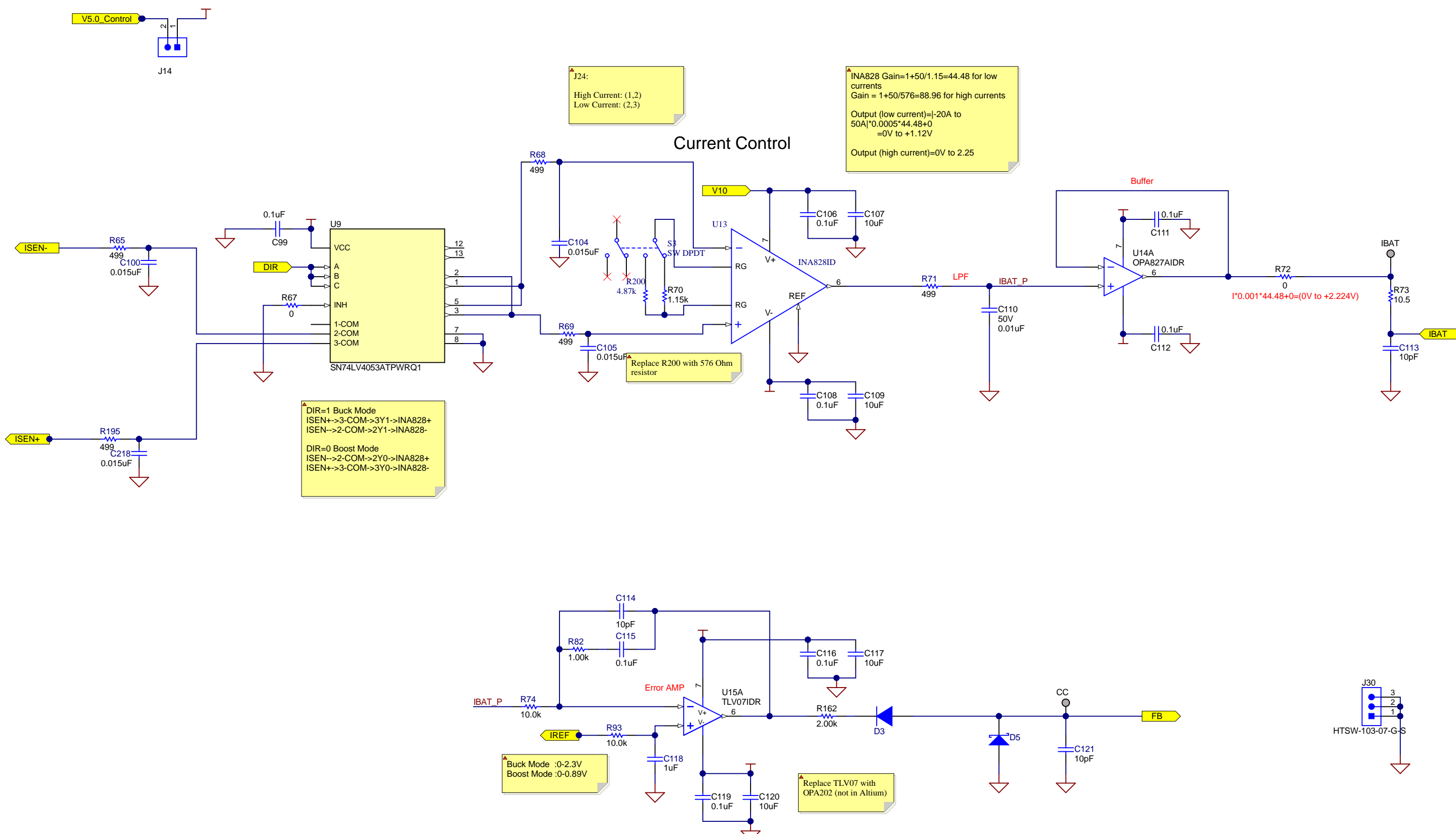
© Texas Instruments 2018



Texas Instruments and/or its licensors do not warrant the accuracy or completeness of this specification or any information contained therein. Texas Instruments and/or its licensors do not warrant that this design will meet the specifications, will be suitable for your application or fit for any particular purpose, or will operate in an implementation. Texas Instruments and/or its licensors do not warrant that the design is production worthy. You should completely validate and test your design implementation to confirm the system functionality for your application.

Orderable: N/A	Designed for: Public Release	Mod. Date: 2/19/2019
TID #: TIDA-01041	Project Title: Battery tester reference design for multiphase high-	
Number: TIDA-01041	Rev: A	Sheet Title: Power Stage
SVN Rev: Version control disabled	Assembly Variant: 001	Sheet: 5 of 11
Drawn By:	File: SV601272A-Power2 REV2.SchDoc	Size: B
Engineer: Michael Balourdas, Taras DODact	http://www.ti.com/support	





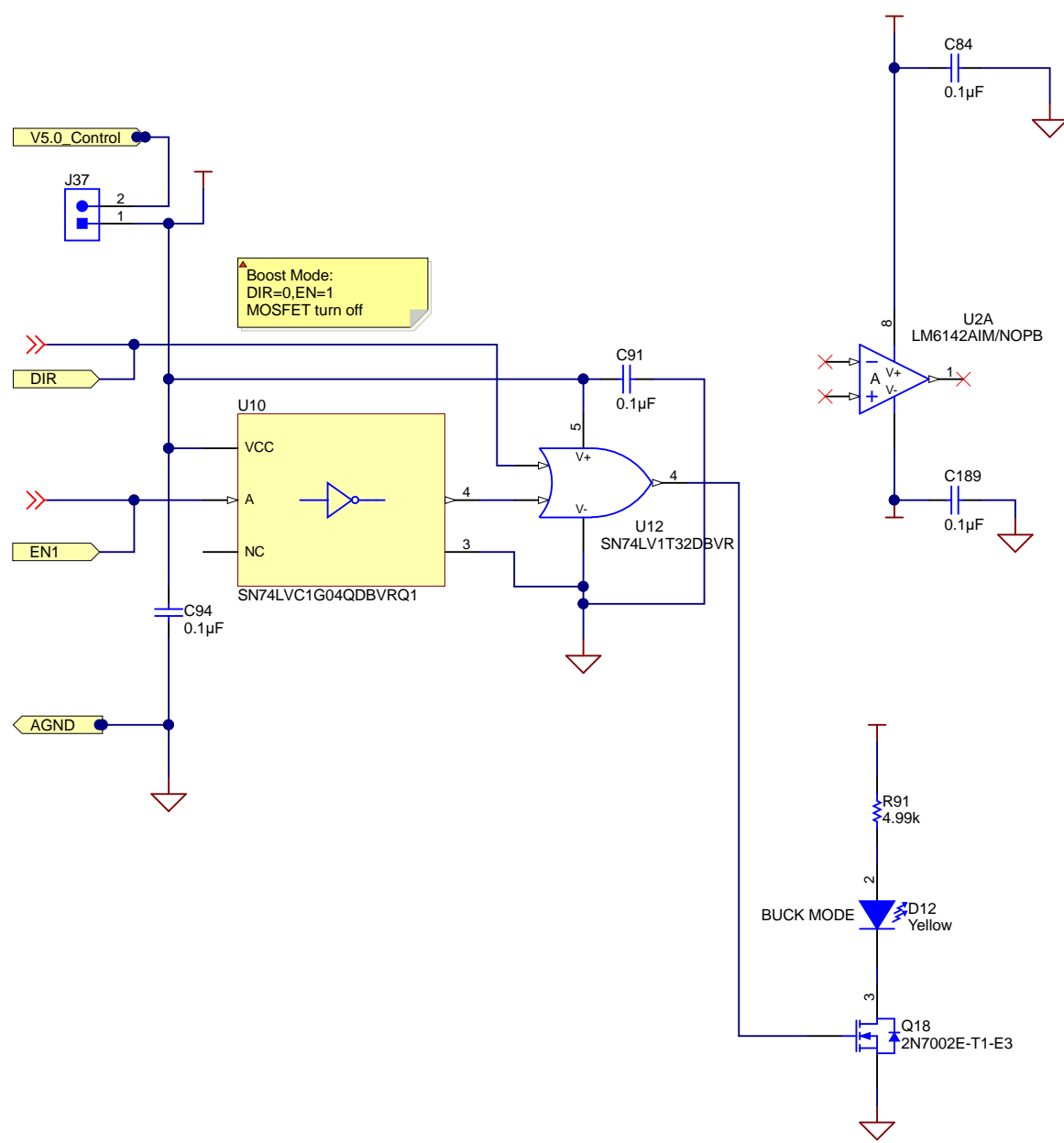
Texas Instruments and/or its licensors do not warrant the accuracy or completeness of this specification or any information contained therein. Texas Instruments and/or its licensors do not warrant that this design will meet the specifications, will be suitable for your application or fit for any particular purpose, or will operate in an implementation. Texas Instruments and/or its licensors do not warrant that the design is production worthy. You should completely validate and test your design implementation to confirm the system functionality for your application.

Orderable: N/A	Designed for: Public Release	Mod. Date: 2/19/2019
TID #: TIDA-01041	Project Title: Battery tester reference design for multiphase high-	
Number: TIDA-01041	Rev: A	Sheet Title:
SVN Rev: Version control disabled	Assembly Variant: 001	Sheet: 6 of 11
Drawn By:	File: SV601272A-Current-Control REV3.SchDoc	Size: B
Engineer: Michael Balourdas, Taras DODact	http://www.ti.com/support	

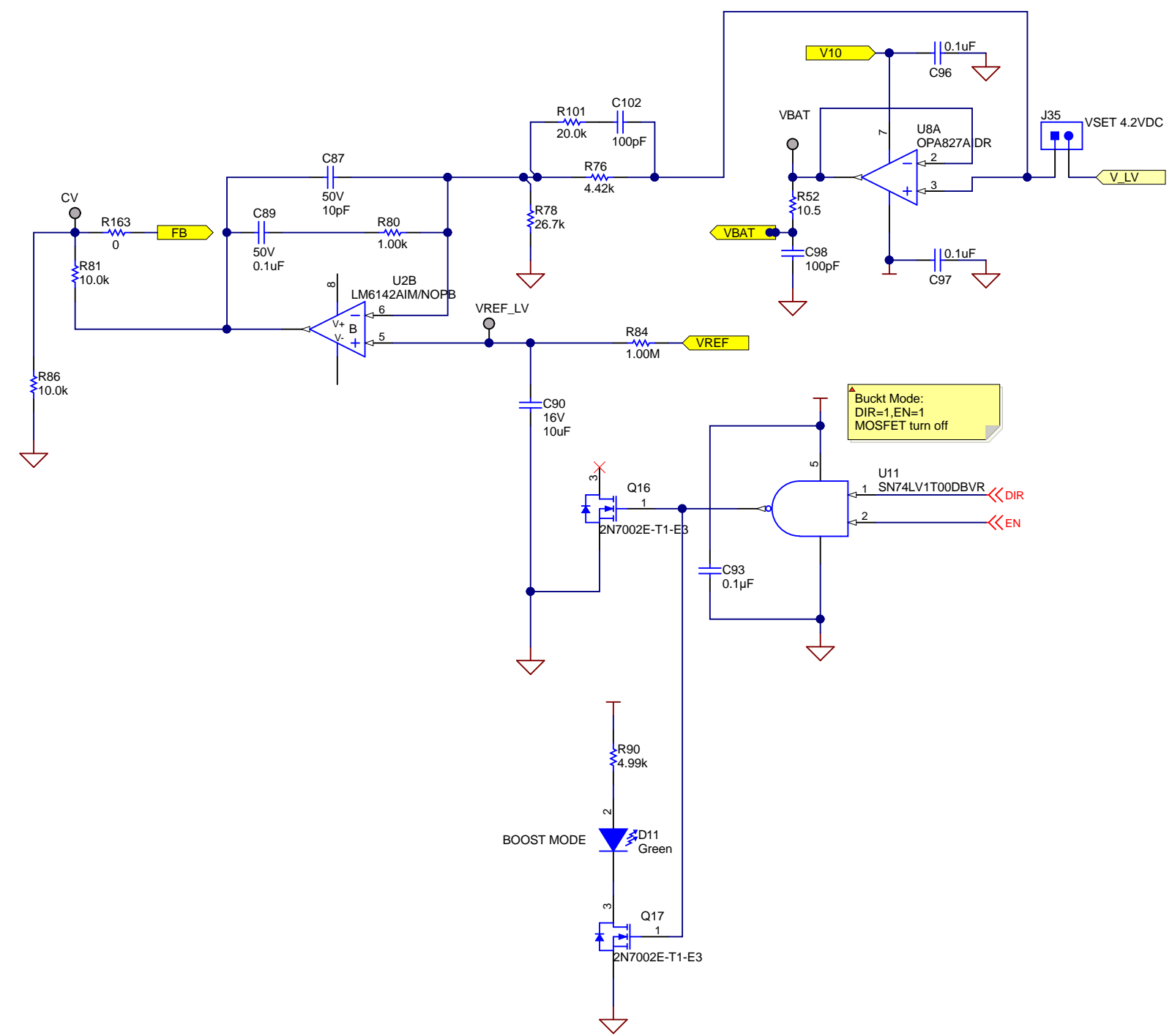
© Texas Instruments 2018



BOOST CONTROL



BUCK CONTROL



Texas Instruments and/or its licensors do not warrant the accuracy or completeness of this specification or any information contained therein. Texas Instruments and/or its licensors do not warrant that this design will meet the specifications, will be suitable for your application or fit for any particular purpose, or will operate in an implementation. Texas Instruments and/or its licensors do not warrant that the design is production worthy. You should completely validate and test your design implementation to confirm the system functionality for your application.

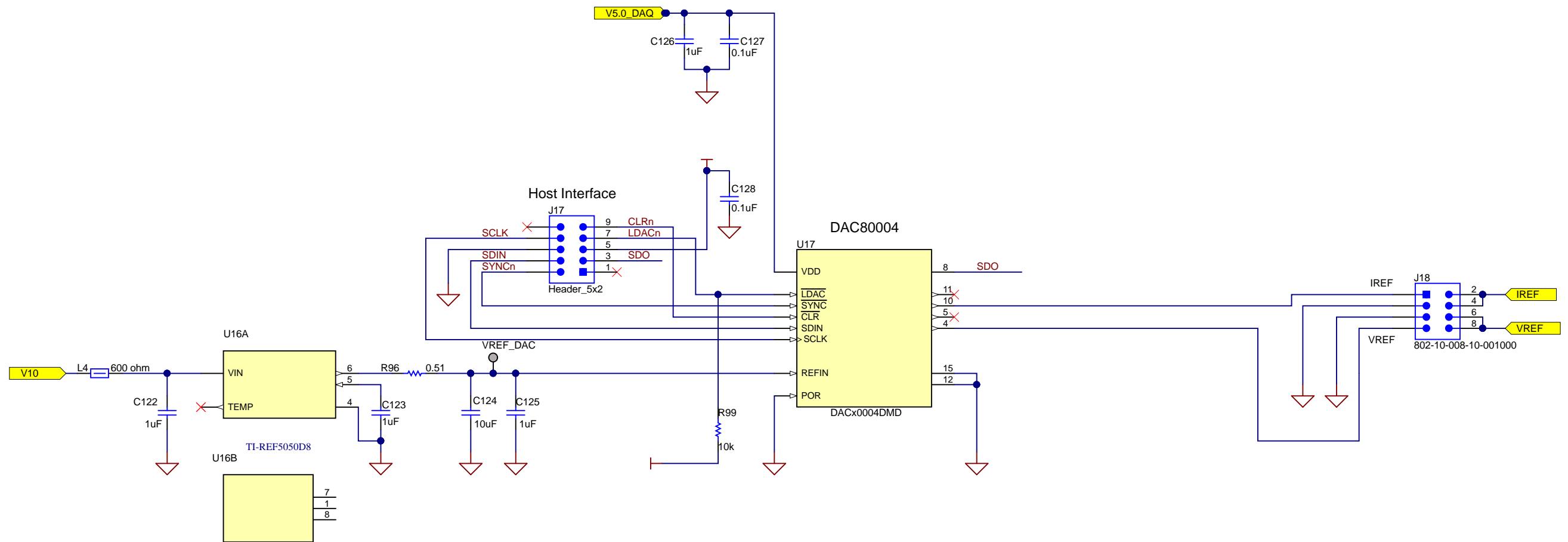
Orderable: N/A	Designed for: Public Release	Mod. Date: 2/19/2019
TID #: TIDA-01041	Project Title: Battery tester reference design for multiphase high-	
Number: TIDA-01041	Rev: A	Sheet Title: Analog Loop Controller
SVN Rev: Version control disabled	Assembly Variant: 001	Sheet: 7 of 11
Drawn By:	File: SV601272A-Analog.SchDoc	Size: B
Engineer: Michael Balourdas, Taras DODact	http://www.ti.com/support	



DAC

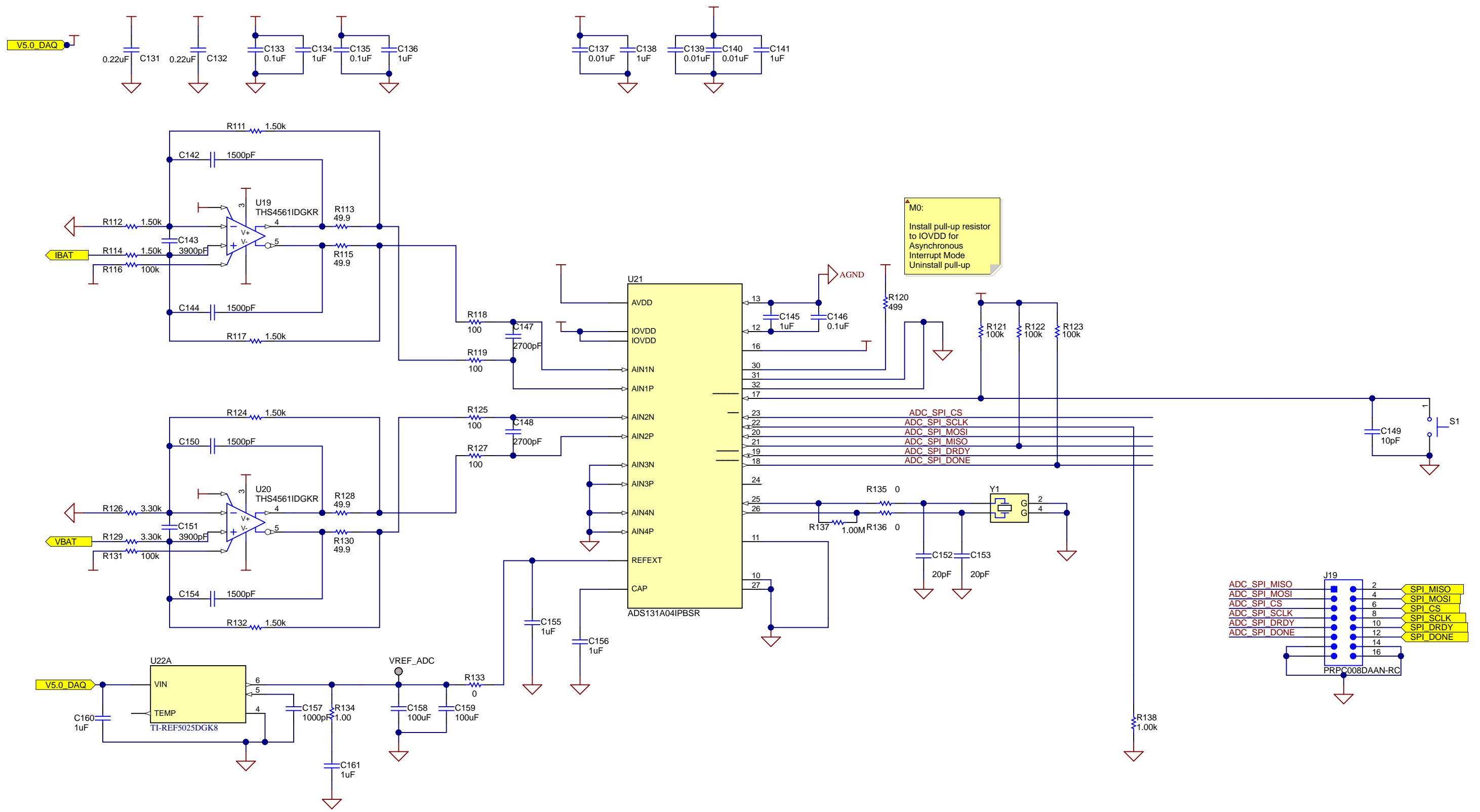
IREF
Output Range:0V-2.3V

VREF
Output Range:0V-4.1V

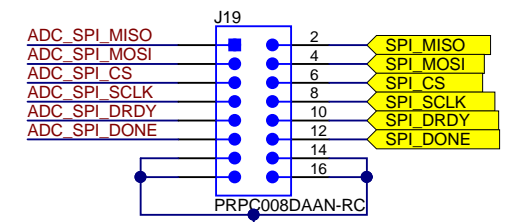


Texas Instruments and/or its licensors do not warrant the accuracy or completeness of this specification or any information contained therein. Texas Instruments and/or its licensors do not warrant that this design will meet the specifications, will be suitable for your application or fit for any particular purpose, or will operate in an implementation. Texas Instruments and/or its licensors do not warrant that the design is production worthy. You should completely validate and test your design implementation to confirm the system functionality for your application.

Orderable: N/A	Designed for: Public Release	Mod. Date: 2/19/2019
TID #: TIDA-01041	Project Title: Battery tester reference design for multiphase high-	
Number: TIDA-01041	Rev: A	Sheet Title:
SVN Rev: Version control disabled	Assembly Variant: 001	Sheet: 8 of 11
Drawn By:	File: SV601272A-DAC.SchDoc	Size: B
Engineer: Michael Balourdas, Taras DODat	Contact: http://www.ti.com/support	



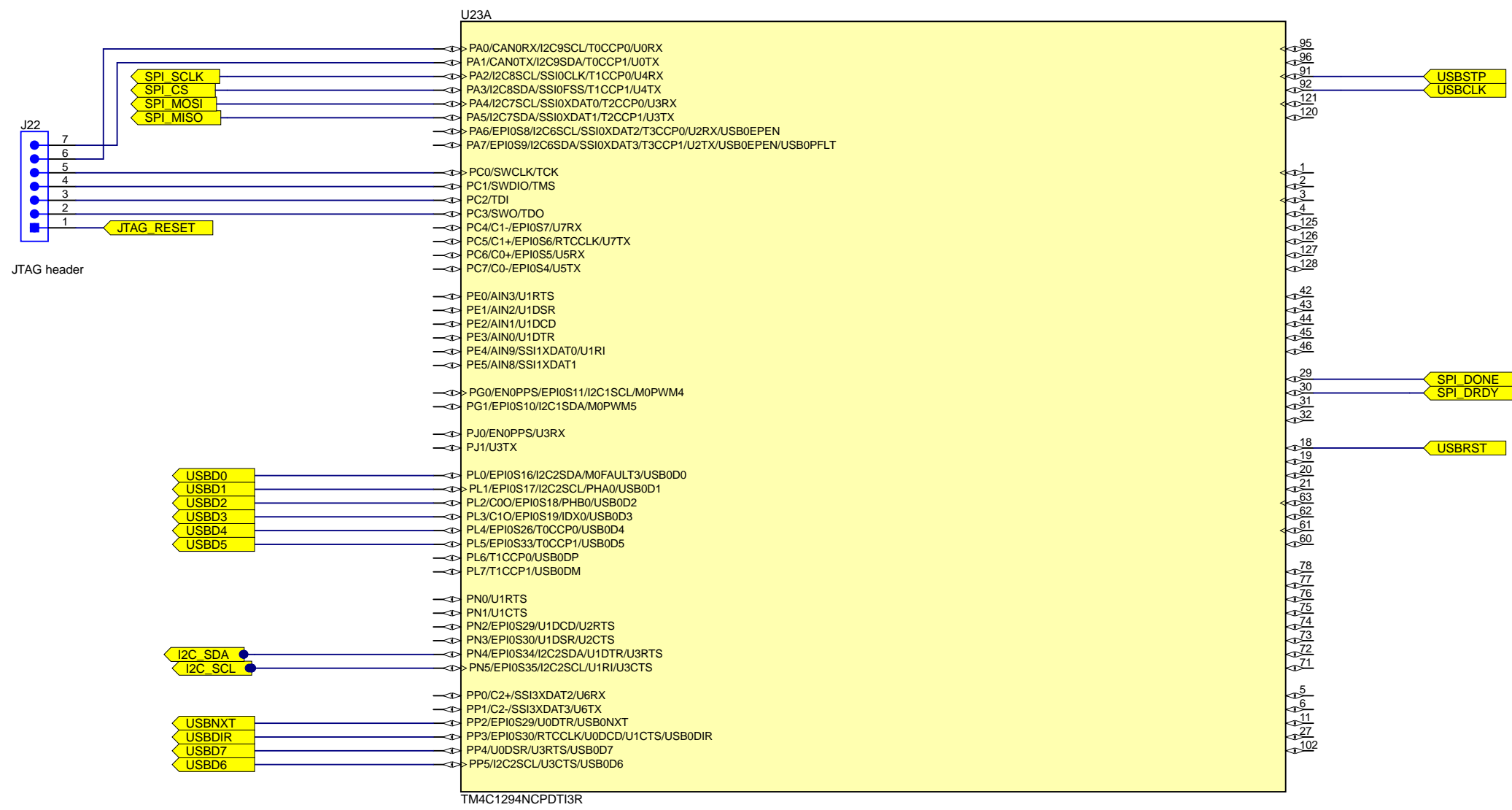
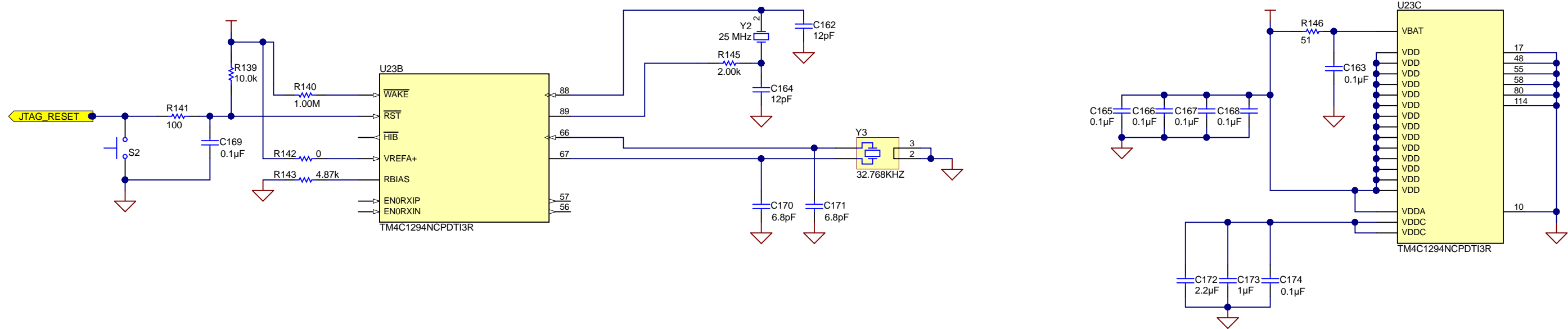
M0:
Install pull-up resistor to IOVDD for Asynchronous Interrupt Mode
Uninstall pull-up



Texas Instruments and/or its licensors do not warrant the accuracy or completeness of this specification or any information contained therein. Texas Instruments and/or its licensors do not warrant that this design will meet the specifications, will be suitable for your application or fit for any particular purpose, or will operate in an implementation. Texas Instruments and/or its licensors do not warrant that the design is production worthy. You should completely validate and test your design implementation to confirm the system functionality for your application.

Orderable: N/A	Designed for: Public Release	Mod. Date: 2/19/2019
TID #: TIDA-01041	Project Title: Battery tester reference design for multiphase high-	
Number: TIDA-01041	Rev: A	Sheet Title:
SVN Rev: Version control disabled	Assembly Variant: 001	Sheet: 9 of 11
Drawn By:	File: SV601272A-ADC.SchDoc	Size: B
Engineer: Michael Balourdas, Taras DODact	http://www.ti.com/support	© Texas Instruments 2018





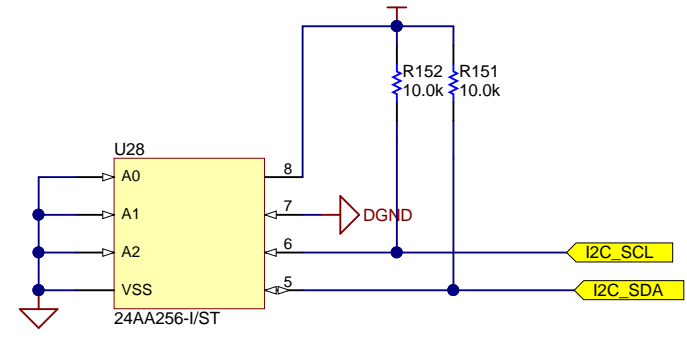
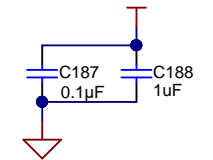
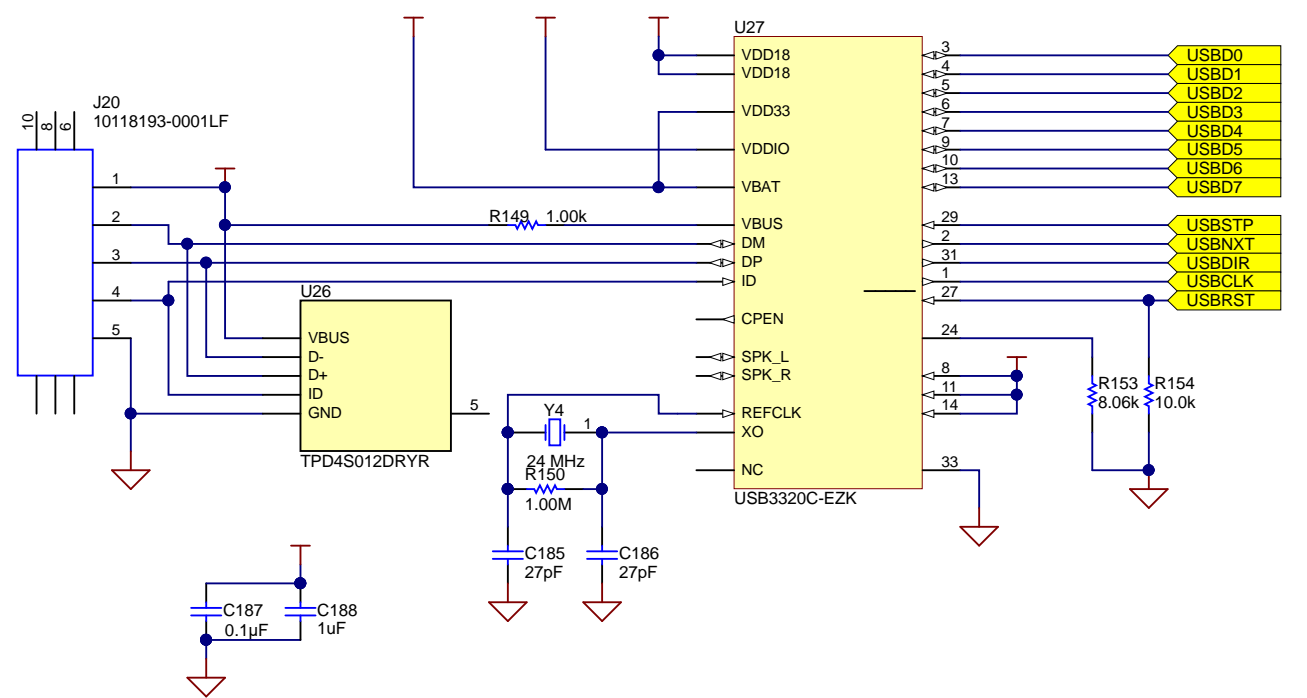
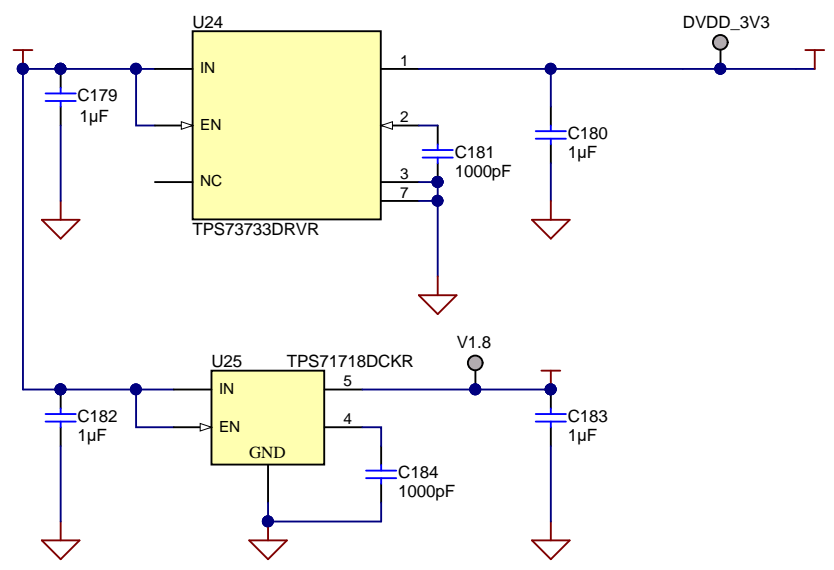
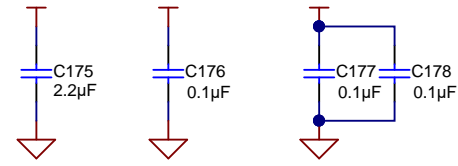
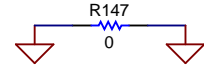
Texas Instruments and/or its licensors do not warrant the accuracy or completeness of this specification or any information contained therein. Texas Instruments and/or its licensors do not warrant that this design will meet the specifications, will be suitable for your application or fit for any particular purpose, or will operate in an implementation. Texas Instruments and/or its licensors do not warrant that the design is production worthy. You should completely validate and test your design implementation to confirm the system functionality for your application.

Orderable: N/A	Designed for: Public Release	Mod. Date: 2/19/2019
TID #: TIDA-01041	Project Title: Battery tester reference design for multiphase high-	
Number: TIDA-01041	Rev: A	Sheet Title:
SVN Rev: Version control disabled	Assembly Variant: 001	Sheet: 10 of 11
Drawn By:	File: SV601272A-TM4C_Main_SchDoc	Size: B
Engineer: Michael Balourdas, Taras DODat	Support: http://www.ti.com/support	



format

© Texas Instruments 2018



Texas Instruments and/or its licensors do not warrant the accuracy or completeness of this specification or any information contained therein. Texas Instruments and/or its licensors do not warrant that this design will meet the specifications, will be suitable for your application or fit for any particular purpose, or will operate in an implementation. Texas Instruments and/or its licensors do not warrant that the design is production worthy. You should completely validate and test your design implementation to confirm the system functionality for your application.

Orderable: N/A	Designed for: Public Release	Mod. Date: 2/19/2019
TID #: TIDA-01041	Project Title: Battery tester reference design for multiphase high-	
Number: TIDA-01041	Rev: A	Sheet Title:
SVN Rev: Version control disabled	Assembly Variant: 001	Sheet: 11 of 11
Drawn By:	File: SV601272A-TM4C_Power.SchDoc	Size: B
Engineer: Michael Balourdas, Taras DODat	Support: http://www.ti.com/support	© Texas Instruments 2018



IMPORTANT NOTICE AND DISCLAIMER

TI PROVIDES TECHNICAL AND RELIABILITY DATA (INCLUDING DATASHEETS), DESIGN RESOURCES (INCLUDING REFERENCE DESIGNS), APPLICATION OR OTHER DESIGN ADVICE, WEB TOOLS, SAFETY INFORMATION, AND OTHER RESOURCES "AS IS" AND WITH ALL FAULTS, AND DISCLAIMS ALL WARRANTIES, EXPRESS AND IMPLIED, INCLUDING WITHOUT LIMITATION ANY IMPLIED WARRANTIES OF MERCHANTABILITY, FITNESS FOR A PARTICULAR PURPOSE OR NON-INFRINGEMENT OF THIRD PARTY INTELLECTUAL PROPERTY RIGHTS.

These resources are intended for skilled developers designing with TI products. You are solely responsible for (1) selecting the appropriate TI products for your application, (2) designing, validating and testing your application, and (3) ensuring your application meets applicable standards, and any other safety, security, or other requirements. These resources are subject to change without notice. TI grants you permission to use these resources only for development of an application that uses the TI products described in the resource. Other reproduction and display of these resources is prohibited. No license is granted to any other TI intellectual property right or to any third party intellectual property right. TI disclaims responsibility for, and you will fully indemnify TI and its representatives against, any claims, damages, costs, losses, and liabilities arising out of your use of these resources.

TI's products are provided subject to TI's Terms of Sale (www.ti.com/legal/termsofsale.html) or other applicable terms available either on ti.com or provided in conjunction with such TI products. TI's provision of these resources does not expand or otherwise alter TI's applicable warranties or warranty disclaimers for TI products.

Mailing Address: Texas Instruments, Post Office Box 655303, Dallas, Texas 75265
Copyright © 2019, Texas Instruments Incorporated