

Low-Side 0.5A, 8-Channel Digital Output Module for PLC



Description

TI reference designs provide the foundation that you need including methodology, testing and design files to quickly evaluate and customize the system. TI reference designs help you accelerate your time to market.

Resources

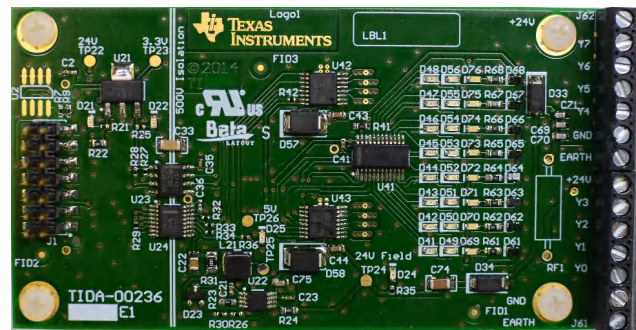
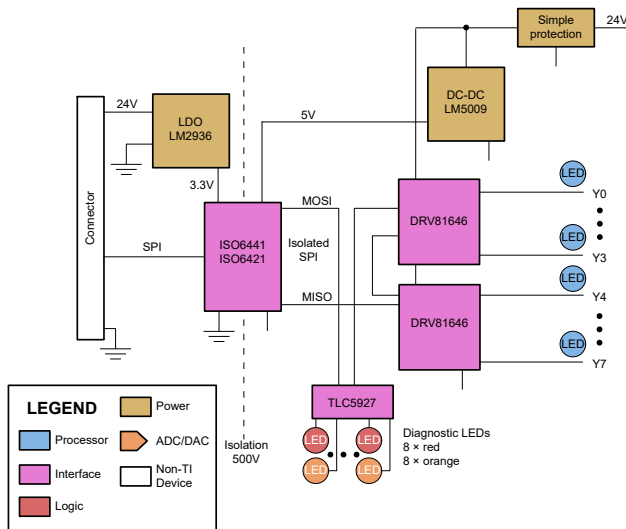
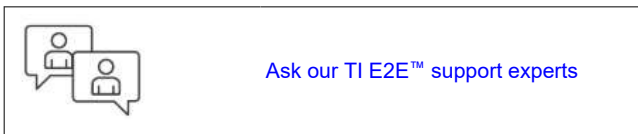
| | |
|----------------------------|----------------|
| TIDA-00236 | Design Folder |
| TIDA-00123 | Design Folder |
| DRV81646 | Product Folder |
| ISO6441 | Product Folder |
| ISO6421 | Product Folder |
| TLC5927 | Product Folder |
| LM5009 | Product Folder |
| LM2936 | Product Folder |

Features

- High-density 8-channel, 24V low-side digital output
- 500mA/channel unregulated (20%), 2A peak
- Data serializer to save isolation channels
- Capable of switching inductive loads
- LED to indicate output state and faults
- Standalone use or with [TIDA-00123](#)

Applications

- Programmable Logic Controller (PLC) I/O modules
- Distributed Control System (DCS) I/O modules
- Motor control I/O modules
- Sensor concentrators



1 Key System Specifications

Table 1-1. Key System Specifications

| SYMBOL | PARAMETER | CONDITIONS | SPECIFICATION | | | UNIT |
|------------|---|---|---------------|------|------|------|
| | | | MIN | TYP | MAX | |
| V_{IN} | Input voltage | Normal operation | 10 | 24 | 33 | V |
| I_{IN} | Input current | Normal operation | - | 15 | 50 | mA |
| V_{LOAD} | Load supply voltage | Normal operation | 0 | 24 | 44 | V |
| I_{LOAD} | Load current | Per channel $T_A = 60^\circ\text{C}$ | - | 500 | 600 | mA |
| | | Per channel $T_A = 25^\circ\text{C}$ | - | 700 | 1000 | mA |
| P_{LOSS} | Power loss per channel | $R_L = 48\Omega$, $V_{LOAD} = 24\text{V}$, $T_A = 25^\circ\text{C}$ | - | 200 | - | mW |
| f_{SW} | Switching frequency | Resistive load | | 1000 | | Hz |
| | | Inductive load, 0.1H all channels | | 10 | | Hz |
| t_{RISE} | Load voltage rise time 10% .. 90% | $R_L = 48\Omega$, $V_{LOAD} = 24\text{V}$, $T_A = 25^\circ\text{C}$ | - | 600 | - | ns |
| t_{FALL} | Load voltage fall time 90% .. 10% | $R_L = 48\Omega$, $V_{LOAD} = 24\text{V}$, $T_A = 25^\circ\text{C}$ | - | 120 | - | ns |
| t_{PD} | Propagation delay (latch to output change) | $R_L = 48\Omega$, $V_{LOAD} = 24\text{V}$, $T_A = 25^\circ\text{C}$ | - | 150 | - | ns |
| I_{PEAK} | Peak current (1ms) | | 2.3 | | 3.8 | A |
| P_{IND} | Inductive power for each group of channels ⁽¹⁾ | | | | 0.5 | J/s |

(1) Outputs Y0 to Y3 are one group and outputs Y4 to Y7 are one group.

2 System Description

A digital output (DO) module is a standard module in a PLC or DCS system. The DO module is used to permanently turn on and off resistive, capacitive, or inductive loads or control them with pulse width modulation (PWM).

A digital output with a MOSFET can be realized as a high-side or low-side switch. This design uses the low-side switch principal, which means that the load connected to the output between the 24V supply and the output of the module. Therefore, the switch is below the load seen from the 24V DC supply.

The advantage with this principal is the lower cost of the switching MOSFETs as the MOSFETs can be of NMOS type, which are smaller compared to a PMOS FET with the same $R_{DS(on)}$ and does not need a voltage above the supply voltage to operate the FET in the saturated region. Conversely, low-side configuration is more sensitive to corrosion as the load is permanently connected to a 24V supply even when switched off. This configuration also means that a short to ground turns on the load unintentionally.

In most cases, the digital outputs are galvanic isolated from the control of the outputs. This design uses low power digital isolators to separate the 24V field supply from the SPI control signals. The use of SPI as a control interface reduces the number of isolated channels from eight channels to four. The field side also has a high efficiency power supply from 24V DC to power the digital isolators, the LED driver, and status LEDs.

The form factor of the board and the connector enables the TIDA-00236 to be used with TIDA-00123 and use the onboard microcontroller (MCU) to control the outputs. The board can also be used alone and use the standard connector on the top side for connection to any MCU or microprocessor (MPU) capable of handling SPI communication.

3 Block Diagram

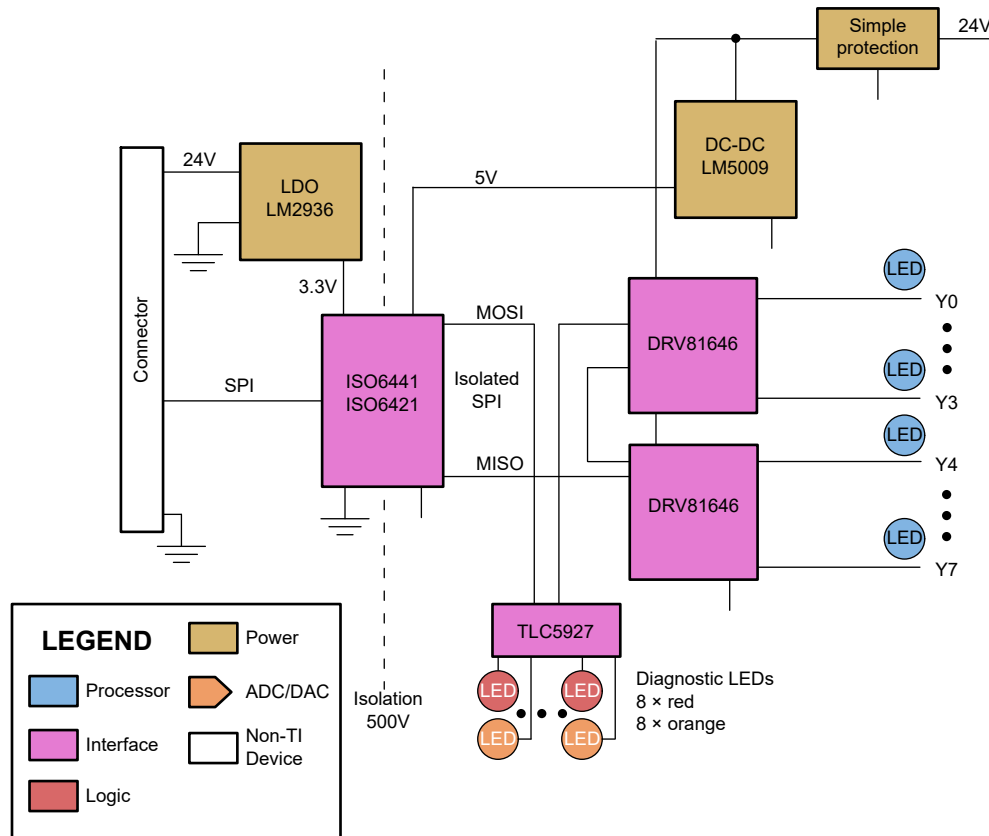


Figure 3-1. Simplified Block Diagram

3.1 Highlighted Products

The TIDA-00236 has eight digital outputs configured as low-side drivers. The design uses two DRV81646 with four protected low-side drivers integrated in each device. The on-chip shift register control logic makes it possible to control the output through SPI and also daisy chain multiple devices (in this case, two). Compared to a paralleled control approach, this saves isolation channels as one SPI channel (four lines) can control eight output channels or more. The ISO6441 provides galvanic isolation for the SPI channel. Each DRV81646 also has a global fault pin, which indicates fault on any of the four output channels. Those signals are connected to the ISO6421, which galvanic isolates the signal. LM5009 is used in a low-cost buck configuration to provide 5V to power the secondary side of the ISO6441 and ISO6421. The 5V is also used for the TLC5927 including LEDs. The LED lighting driver TLC5927 drives to two programmable status LEDs per output, 16 in total. An additional eight status LEDs are connected to the outputs of the DRV81646 and indicates the physical status of the output. The LM2936 is a low-cost low dropout (LDO) to supply the primary side of the ISO6441 and ISO6421 with 3.3V.

3.1.1 DRV81646

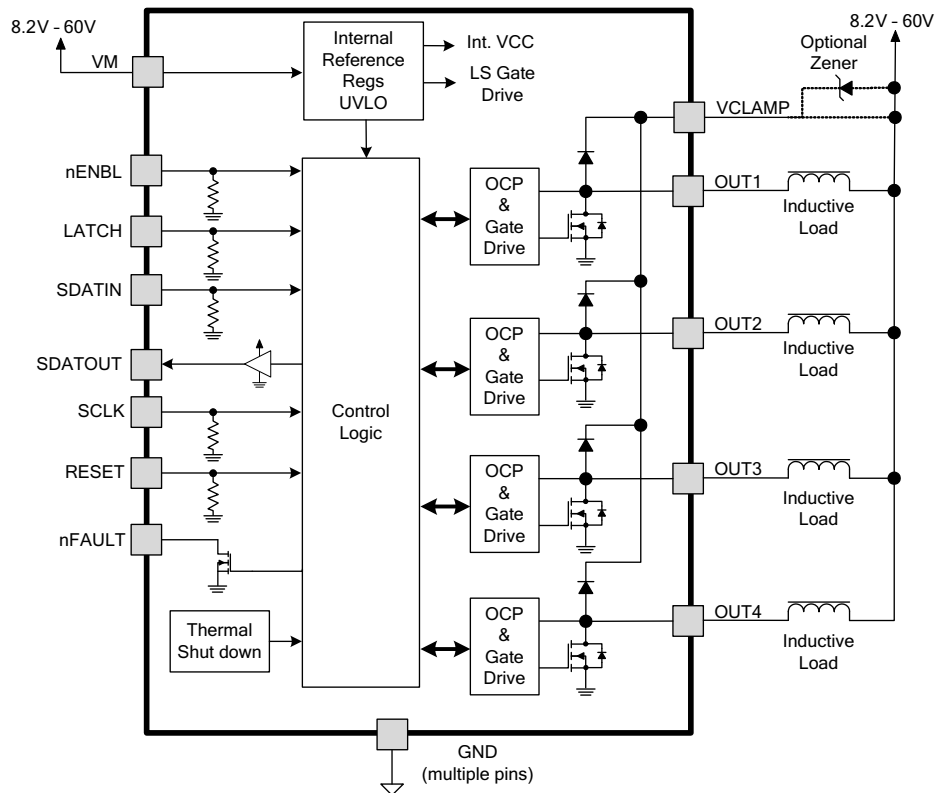


Figure 3-2. DRV81646 Functional Block Diagram

The DRV81646 is a four-channel low-side driver with overcurrent protection in combination with built-in clamping diodes makes the device an excellent choice for driving resistive, capacitive, or inductive loads. The control logic provides an SPI, which can daisy chain multiple devices. DRV81646 also supports parallel (GPIO) interface control. The DRV8803 has similar functionality but with a parallel interface instead of SPI, so this design can be used for evaluating thermal and driving performance of that device as well.

Internal shutdown functions are provided for overcurrent protection, short circuit protection, undervoltage lockout, and overtemperature and are all connected to the nFAULT pin.

3.1.2 ISO6441 and ISO6421

The ISO6441 and ISO6421 provide galvanic isolation at $5000V_{RMS}$ for one minute per UL or $10400V_{PK}$ per VDE. The ISO6441 offers three channels in the forward direction and one back channel, which makes the device an excellent choice for SPI communication isolation. The ISO6421 has one forward and one backward channel and is used to isolate the /XFAULT signal. The ISO6441 can work up to 150Mbps, which is well above the SPI communication speed used in this design. The ISO6421 is also fast enough to support the slower speed signals /XFAULT and RST.

3.1.3 LM5009

The LM5009 is a wide-input, step down non-synchronous converter with integrated FET. This design has a 5V regulated output from the 24V field connector to supply the ISO6441, ISO6421, and the LED driver including LEDs.

3.1.4 TLC5927

The TLC5927 is designed for LED lighting applications with open-load, shorted-load, over-temperature detection, and constant-current control. The TLC5927 contains a 16-bit shift register and data latches, which convert serial input data into parallel output format. At the TLC5927 output stage, 16 regulated-current ports provide uniform and constant current for driving LEDs.

4 System Design Theory

The ISO6441 isolates the host from the field side for the SPI signals. The ISO6441 is a very fast isolator, and data speeds up to 1Mbps can easily be supported. Therefore, a large number of outputs can be controlled over this interface. At 1Mbps, it is theoretically possible to control up to 250 output signals at a refresh rate of 4kHz. This small form factor design demonstrates eight outputs and an additional 16 diagnostic LEDs, requiring in total 24 output signals. Given those requirements up to 64 outputs with the same control technique are feasible. The design is fully static and for diagnostic purposes the serial shift clock can go as low as DC.

4.1 Low-Side Driver Selection

To demonstrate the small form factor, this design uses two DRV81646 devices. These devices integrate four power outputs in a PWP package at $5 \times 7\text{mm}$ board space and are capable of simultaneously driving 0.5A at each output with only PCB cooling. An area of about 15cm^2 is sufficient for operation at ambient temperatures of 85°C . The DRV81646 devices provide internal diodes to a common clamping pin, which allows setting a clamping voltage different from the operating voltage for fast inductive discharge. The discharge then happens in an external Zener diode (D57 and D58). The power capability of the Zener diodes defines the quantity of inductive discharge the module can handle and can be set application specific. The TIDA-00236 uses a clamp of 48V and the Zener diodes can dissipate 3W each. Therefore, an inductive discharge of 750mJ can occur once each second for each output.

4.2 Thermal Management

The thermal management budget is calculated based on the following design considerations:

- The junction temperature remains below 150°C
- The thermal resistance of the package is 2.3 K/W junction to bottom plate
- The thermal vias have an inner diameter of 8 mil and capable of 170 K/W
- Board space provides thermal resistance to air of around 900 K/W per cm^2 (see formula 23 in [Reference 2](#))

The $R_{\text{DS(on)}}$ of the DRV8804 is a maximum of $140\text{m}\Omega$ and with four outputs turned on at 0.5A the total power dissipation is 0.28W per device ($4 \times 0.5 \times 0.140$). For an ambient temperature of 60°C , the junction temperature increases 8.5°C (from $0.28\text{W} \times 30.6^\circ\text{C}/\text{W} = 8.5^\circ\text{C}$). The TIDA-00236 has 15 thermal vias per device, which provides sufficient cooling for each FET. The TIDA-00236 has approximately 10cm^2 available per DRV81646.

Use a four-layer board if an ambient temperature beyond 85°C is desired. DRV81646 can provide 2.0A per channel at 85°C in the PWP package with proper PCB layout and thermal vias.

4.3 Switch Off an Inductive Load

The TIDA-00236 can be used to switch off inductive loads like motors, valves, and so on. An inductive load stores energy. This energy releases when the switch wants to turn the inductive load off. The inductor tries to keep the current flowing, which can result in a high voltage spike at the output of the switch. Typical methods to prevent the occurrence of spikes are freewheeling diodes. These diodes limit the voltage at the inductor so that the voltage does not exceed the diode forward voltage of typical 0.7V. The resulting voltage at the output of the switch is 24.7V assuming a power supply of 24V. The method is simple but the method has the disadvantage that the current keeps flowing for some period of time. The time is reverse proportional to the freewheeling voltage. For high-speed actuators like injection valves in process control systems, this is not desired. The preferred method is to use a Zener diode so that the freewheeling voltage can be higher. In this reference design, the freewheeling voltage is clamped to 48V. At a 24V supply, this clamping results in a freewheeling voltage of 24V and a much faster decay of the inductor current. Therefore, this reference design is best suited for direct control of stepper motors or injection valves.

The DRV81646 has protected the low-side switches with one integrated clamping diode per each output. All clamping diodes are fed to one pin for an external Zener diode. This diode clamps the voltage to 65V.

The external Zener diodes (D57 and D58) in the TIDA-0023 is a 3W TVS diode with cooling calculated for 500mW, meaning all outputs of one DRV81646 can absorb 0.5J/s of energy. An inductive load of 100mH can store around 12.5mJ ($E = \frac{1}{2} \times L \times I^2$) at a current of 0.5A. The load can therefore switch at a rate of 40Hz for one output or 10Hz if all four outputs are loaded and switched. DRV81646 supports up to 500kHz switching frequency, so a larger Zener diode can be selected for higher frequencies.

4.4 Switching Light Bulbs

The TIDA-00236 can be used to switch conventional light bulbs. Such a load has a very low cold resistance, so the initial current can be as much as 10 times higher than the continuous current. A 24V, 5W light bulb has an in-rush current of 2A, which falls within the operating range of the DRV81646. Larger light bulbs trigger the overcurrent protection or the ILIM analog current limit feature in DRV81646. Such a light bulb does not harm the device, but the light bulb can fail to turn on as expected.

5 Getting Started Hardware

The TIDA-00236 can be used either as a plug-in card in the TIDA-00123 PLC evaluation platform or as a standalone card with any processor capable of handling SPI communication. For the connection to the TIDA-00123 platform, the connector J2 handles the communication.

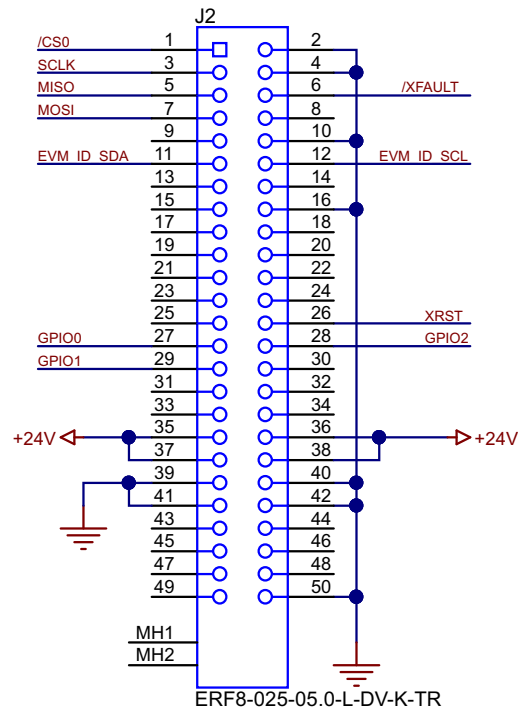


Figure 5-1. Connector J2 (Bottom Side)

The connector, J1, on the top side of the board, is a 14-pol connector that can connect the board to any processor platform with a standard flat cable.

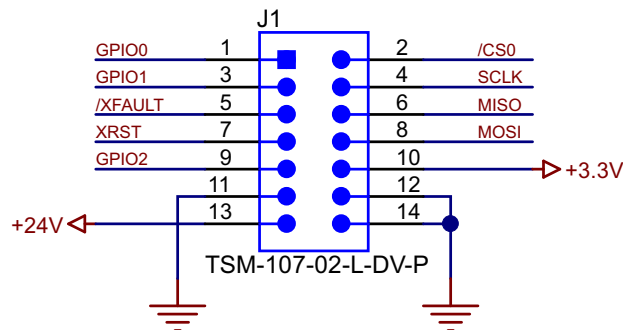


Figure 5-2. Connector J1 (Top Side)

The pins described in [Table 5-1](#) have to be connected to the connector J1 of the TIDA-00236 to communicate with the card.

Table 5-1. Pin Description J1

| J1 | SIGNALS | DESCRIPTION |
|----|---------|---|
| 2 | /CS0 | Chip select / latch: rising edge to transfer data to outputs Y0 to Y7 |
| 4 | SCLK | Serial clock |
| 7 | XRST | Reset: high to reset the outputs |
| 8 | MOSI | Master Out Slave In: Data to be sent to the digital output card |
| 13 | 24V | 5 to 24V host-side power |
| 14 | GND | Ground signal |

5.1 Serial Peripheral Interface (SPI)

The implemented serial is a standard SPI with all four channels implemented. The processor connected to the board must act as SPI host and provide the clock on the SCLK pin.

Table 5-2. SPI Signal Connections

| PIN | DESCRIPTION | POSITION ON J1 | POSITION ON J2 |
|------|--|----------------|----------------|
| SCLK | Serial Clock (output from host) | 4 | 3 |
| PICO | Controller Output, Peripheral Input | 8 | 7 |
| POCI | Controller Input, Peripheral Output | 6 | 5 |
| /CS0 | Chip Select and Latch (active low, data transferred to outputs Y0 to Y7 with rising edge). | 2 | 1 |

5.2 Fault Signal

The /XFAULT (pin 5 on J1 and pin 6 on J2) is a global fault signal for any of the eight outputs. The pin is driven low in the case of an overcurrent event in any of the DRV81646 channels. At the same time, the output with an overcurrent event is turned off. The output remains turned off for 15.5ms to 62ms depending on the COD pin resistor value before it retries to start and clear the fault signal. /XFAULT also is cleared if the 24V field supply is removed (J61 or J62).

If the overall die temperature in the DRV81646 exceeds safe limits, all output is switched off and the /XFAULT is driven low. Operation resumes when the temperature falls under the limit.

5.3 Power Supply

For the board to operate a 24V power supply needs to be supplied to the pin 35, 36, 37, or 38 on the connector J2 or pin 13 on connector J1. The ground needs to be connected according to [Figure 5-1](#) or [Figure 5-2](#) depending on which connector is in use. This power supplies the primary side of the ISO6441 and ISO6421 over the LM2936.

5.4 Output and Field Power Connector

In the connector J61 and J62, connect 24V and the ground to the labeled screw terminals. The eight loads can be connected between 24V and the eight outputs labeled as Y7 to Y0 on the connectors J61 and J62. Earth on J61 and J62 is connected to machine earth.

6 Getting Started Firmware

The TIDA-00236_demo_code.c is a SPI driver in c-code that, with small modifications, can be compiled on most MCU and MPU platforms. The most important sectors of the code are described in the following sections.

6.1 Data Bits

DB23:DB0 is sent to the digital output card through software controlled SPI. DB23:DB16 corresponds to output Y7-Y0. DB15:DB0 corresponds to the eight red LEDs (D49 to D56) and the eight orange LEDs (D41 to D48) interleaved as shown in Table 6-1.

Table 6-1. Data Bits (DB23:DB0) with Corresponding Function

| Data Bits (DB23:DB0) | | | | | | | | | | | | | | | | | | | | | | | |
|----------------------|----|----|----|----|----|----|----|----|----|----|----|----|----|----|----|----|----|----|----|----|----|----|----|
| 23 | 22 | 21 | 20 | 19 | 18 | 17 | 16 | 15 | 14 | 13 | 12 | 11 | 10 | 9 | 8 | 7 | 6 | 5 | 4 | 3 | 2 | 1 | 0 |
| Y7 | Y6 | Y5 | Y4 | Y3 | Y2 | Y1 | Y0 | R7 | O7 | R6 | O6 | R5 | O5 | R4 | O4 | R3 | O3 | R2 | O2 | R1 | O1 | R0 | O0 |

The sequence for sending DB23:DB0 is as follows:

1. Assert XRST (pin 7 on J1 or pin 26 on J2) to reset the card and de-assert the pin.
2. Assert /CS0 (pin 2 on J1 or pin 1 on J2) to enable the card.
3. Set SCLK (pin 4 on J1 or pin 3 on J2) to LOW Put DB23:DB0 on MOSI (pin 8 on J1 or pin 7 on J2) starting with MSB (DB23) and make SCLK HIGH. Repeat this for DB23:DB0 in total 24 times to shift out all data bits.

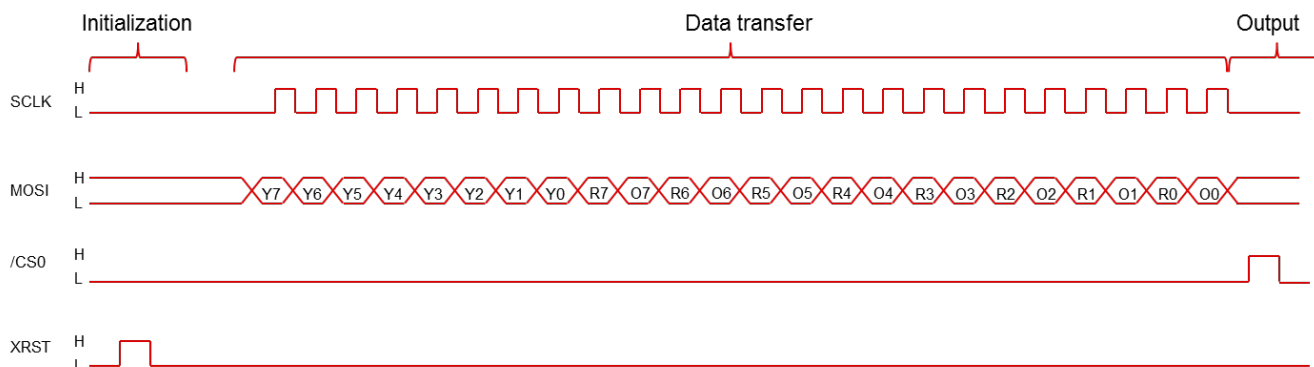


Figure 6-1. Data Bits Transfer Pattern

6.2 GPIO for SPI

The code assumes a port on address 0x100 (variable IOPort). For the SPI communication, the GPIOs are listed in Table 6-2.

Table 6-2. GPIOs used for SPI

| SPI SIGNAL | SCLK | MOSI | MISO | /CS | XRST | /XFAULT |
|------------|------|------|------|-----|------|---------|
| PORT PIN | 0 | 1 | 2 | 3 | 4 | 5 |

If another port and pins are used the addresses in the variable *IOPort* and *Pin_Masks* should be changed accordingly. In the code, set the output (Y7 to Y0) one by one and check the /XFAULT pin. If /XFAULT is high, then switch on the red LEDs (D49 to D56).

The MOSI is not used in this code example. In other words, there is no SPI data transfer from the card to the controller side.

7 Test Setup

7.1 Output Current Capability

The GW inSTEK GPS-4303 quad-output DC power supplies are:

- Two 0 to 30V at up to 3A
- One 8 to 15V at 1A
- One 2.2 to 5.5V at 1A

All four outputs of one group (Y0 to Y3 or Y4 to Y7) are connected with individual 48Ω, 12W resistors to 24V of the power supply. GND and Earth are connected to 0V of the power supply. Then all outputs are programmed to turn on. The current from the power supply into the resistors should read 2A. The temperature of the driving switch is observed and settle around 50°C at a room temperature of 25°C. The drop voltage over the switch is around 250mV.

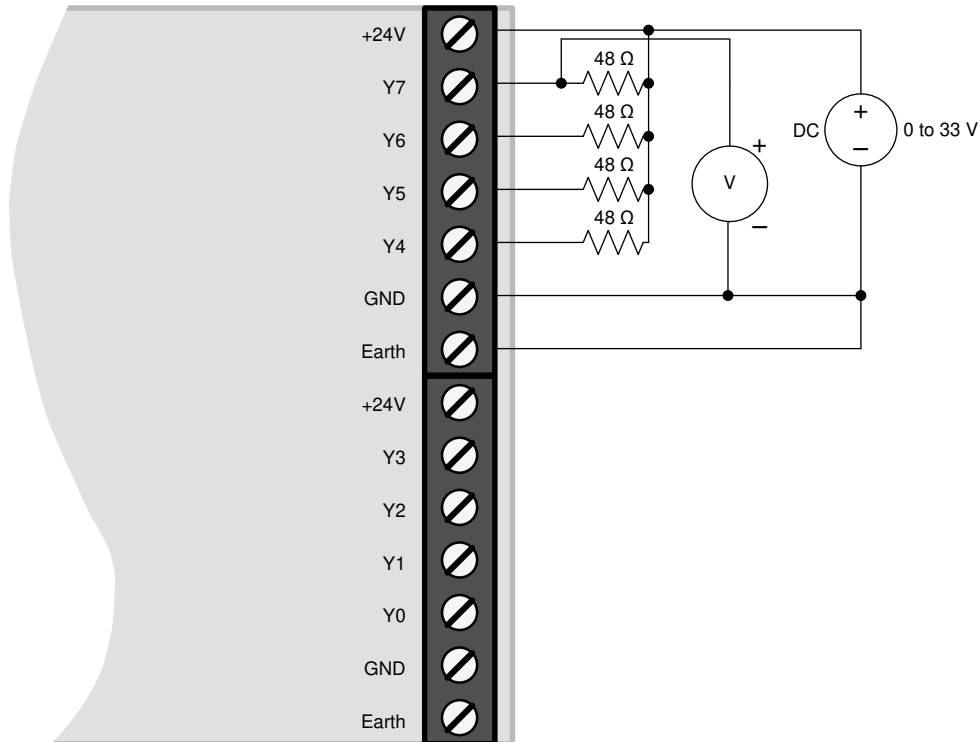


Figure 7-1. Measurement Setup for Overvoltage and Undervoltage Lockout

7.2 Rise and Fall Times, Propagation Delay

The GW inSTEK GPS-4303 quad-output DC power supplies are:

- Two 0 to 30V at up to 3A
- One 8 to 15V at 1A
- One 2.2 to 5.5V at 1A
- Oscilloscope: Tektronix TDS 3034

All four outputs of one group (Y4 to Y7) are connected with individual 48Ω, 12W resistors to 24V of the power supply. GND and Earth are connected to 0V of the power supply. Connect the oscilloscope to the latch input on the host side with channel one and to output Y7 with channel two. Set the oscilloscope to normal trigger rising edge with the trigger coming from channel one. The trigger level is 1V. Then all outputs are programmed to turn on. The oscilloscope captures a falling edge on Y7. Afterwards, all outputs are programmed to turn off, and the oscilloscope captures a rising edge on Y7. The measurement is repeated with the other three outputs of the same group. Then the resistors are connected to the second group of outputs (Y0 to Y3) and the measurement continues on these.

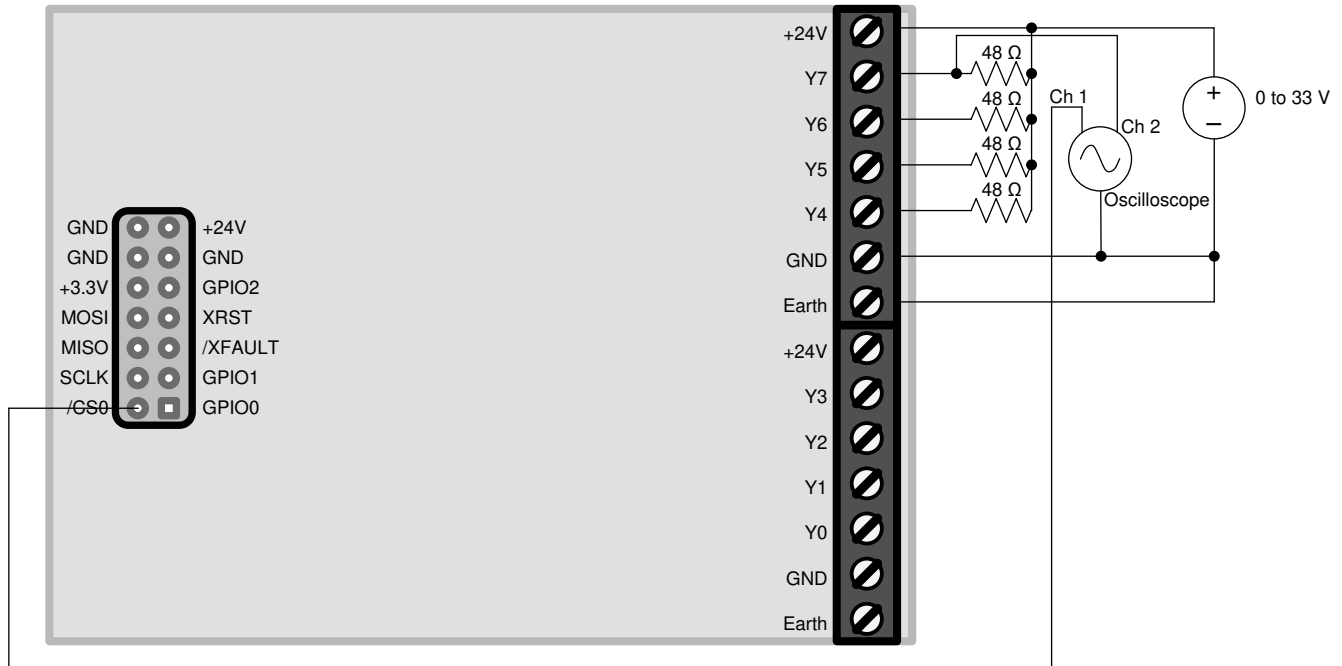


Figure 7-2. Measurement Setup for Rise and Fall Times and Propagation Delay

8 Test Data

Table 8-1. Test Results

| SYMBOL | PARAMETER | CONDITIONS | SPECIFICATION | | | MEAS. | UNIT |
|------------|--|---|---------------|------|-------------------|-------|------|
| | | | MIN | TYP | MAX | | |
| V_{IN} | Input voltage | Normal operation | 10 | 24 | 33 | 24.5 | V |
| I_{IN} | Input current | Normal operation | - | 15 | 50 ⁽¹⁾ | 14 | mA |
| V_{LOAD} | Load supply voltage | Normal operation | 0 | 24 | 44 | 24.5 | V |
| I_{LOAD} | Load current | Per channel $T_A = 60^\circ\text{C}$ | - | 500 | 600 | -(2) | mA |
| | | Per channel $T_A = 25^\circ\text{C}$ | - | 700 | 1000 | -(2) | mA |
| P_{LOSS} | Power loss per channel | $R_L = 48\Omega$, $V_{LOAD} = 24\text{V}$, $T_A = 25^\circ\text{C}$ | - | 200 | - | -(2) | mW |
| f_{SW} | Switching frequency | Resistive load | | 1000 | | 1000 | Hz |
| | | Inductive load, 0.1H all channels | | 10 | | -(2) | Hz |
| t_{RISE} | Load voltage rise time 10% .. 90% | $R_L = 48\Omega$, $V_{LOAD} = 24\text{V}$, $T_A = 25^\circ\text{C}$ | - | 600 | - | 550 | ns |
| t_{FALL} | Load voltage fall time 90% .. 10% | $R_L = 48\Omega$, $V_{LOAD} = 24\text{V}$, $T_A = 25^\circ\text{C}$ | - | 120 | - | 125 | ns |
| t_{PD} | Propagation Delay (latch to output change) | $R_L = 48\Omega$, $V_{LOAD} = 24\text{V}$, $T_A = 25^\circ\text{C}$ | 60 | 150 | 200 | 165 | ns |
| I_{PEAK} | Peak current (1ms) | | 2.3 | | 3.8 | -(2) | A |
| P_{IND} | Inductive power for each group of channels ⁽³⁾ | | | | 0.5 | -(2) | J/s |

- (1) Depends on number of LEDs on and communication activity
(2) Based on calculations derived from DRV8804 datasheet. DRV81646 provides improved performance and lower temperatures.
(3) Outputs Y0 to Y3 are one group and outputs Y4 to Y7 are one group

In Figure 8-1 and Figure 8-2, channel 3 (purple) is connected to the /CS0 signal of the host connector and triggers on the rising edge. This edge causes the data to transfer to the outputs Y0 to Y7 and is therefore best suited to capture the output transitions (channel 4, green) and the timings for the propagation delay measurement. The fall time is dominated by the switching speed of the output transistor in the driver. Due to the open drain configuration, the rise time results from the RC combination formed by the 10nF capacitor connected to the switch output in the reference design, the driver output capacitance and the 48Ω load resistor at the output.

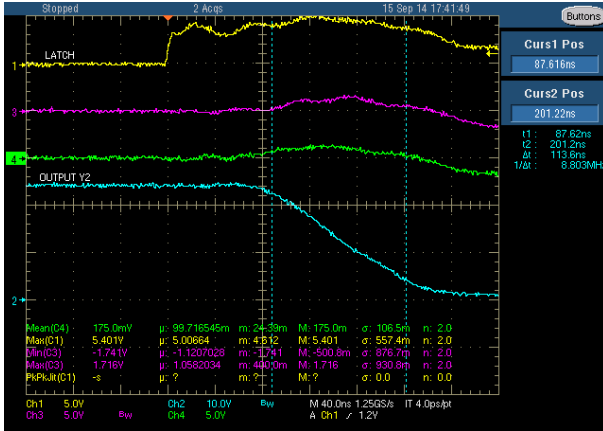


Figure 8-1. Fall Time

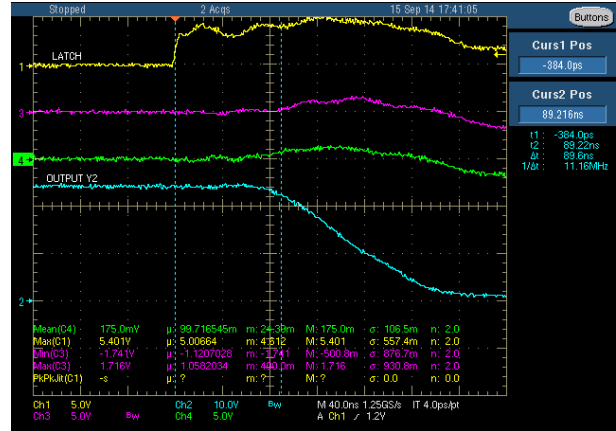


Figure 8-2. t_{PD} Falling Edge

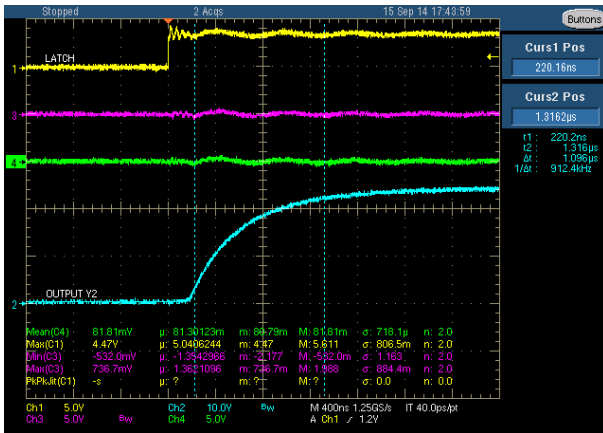


Figure 8-3. Rise Time

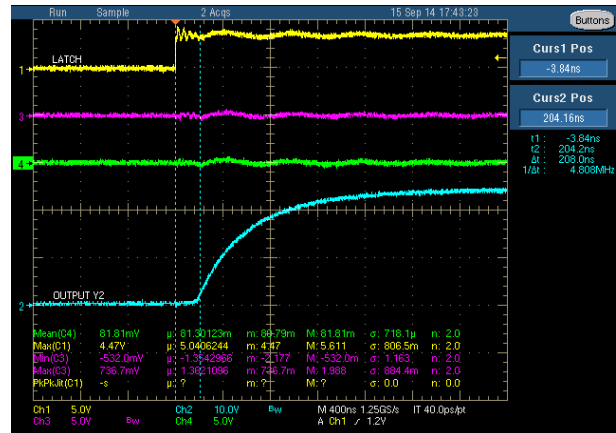


Figure 8-4. t_{PD} Rising Edge

9 Design Files

9.1 Schematics

To download the schematics, see the design files at [TIDA-00236](https://www.ti.com/lit/zip/TIDA-00236).

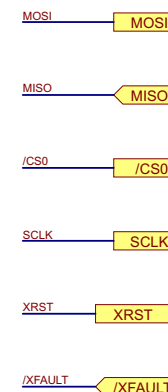
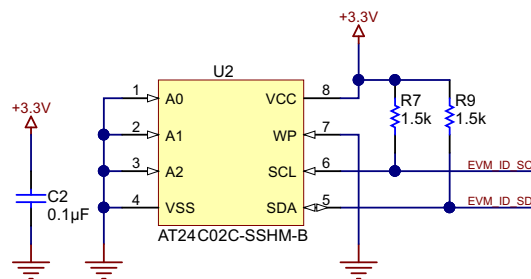
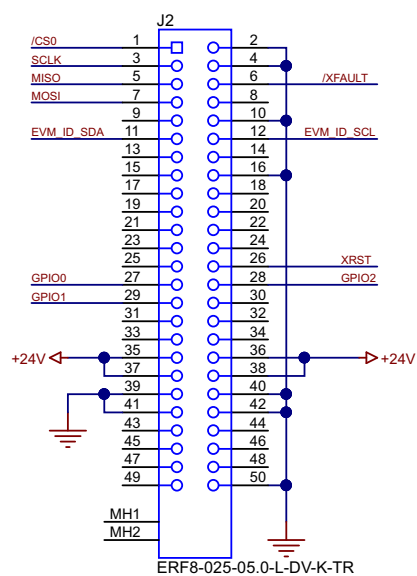
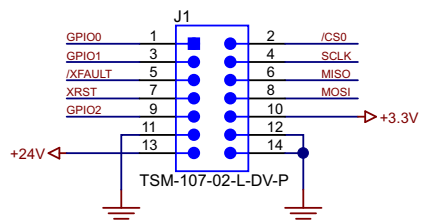


Figure 9-1. Connectors Schematic

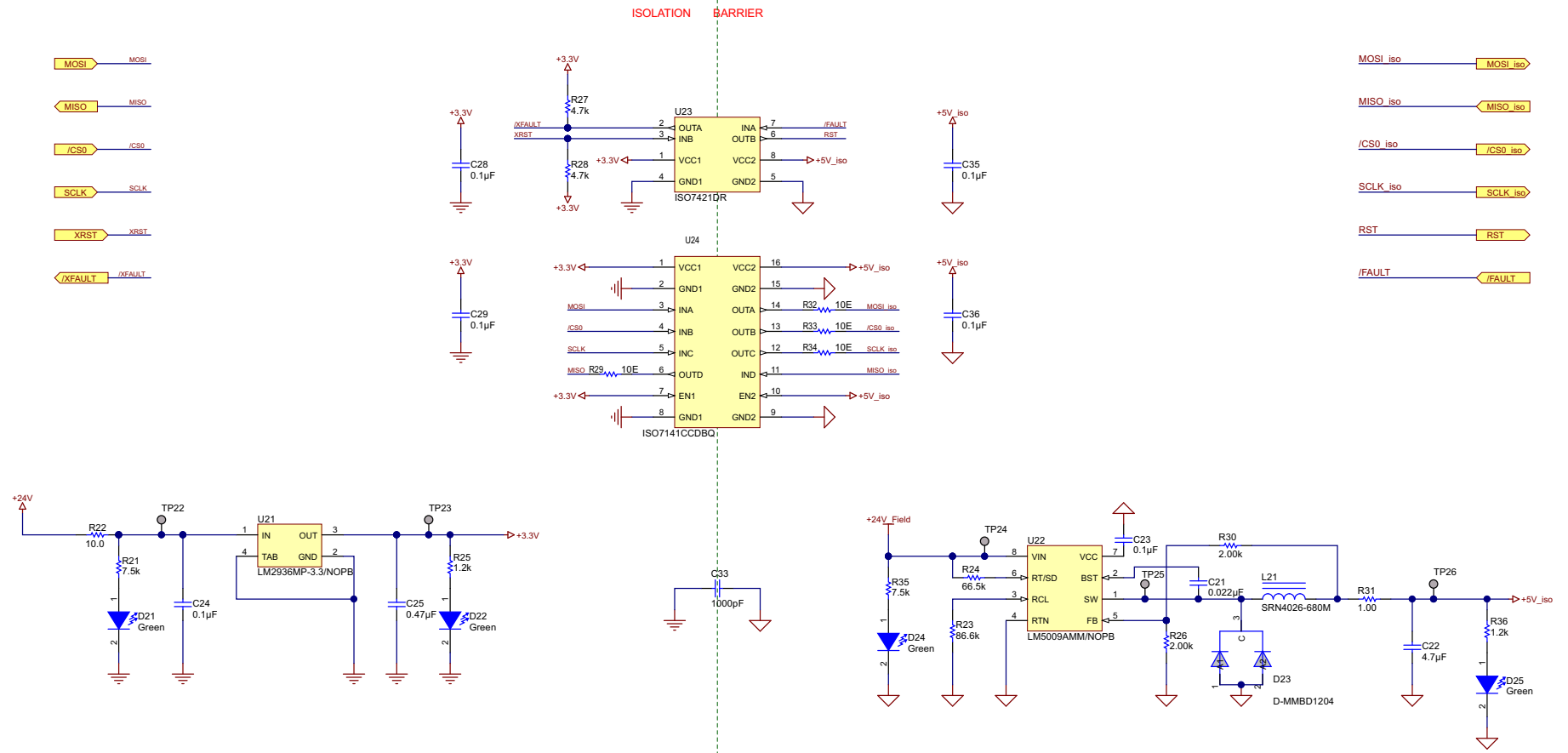


Figure 9-2. PSU Schematic

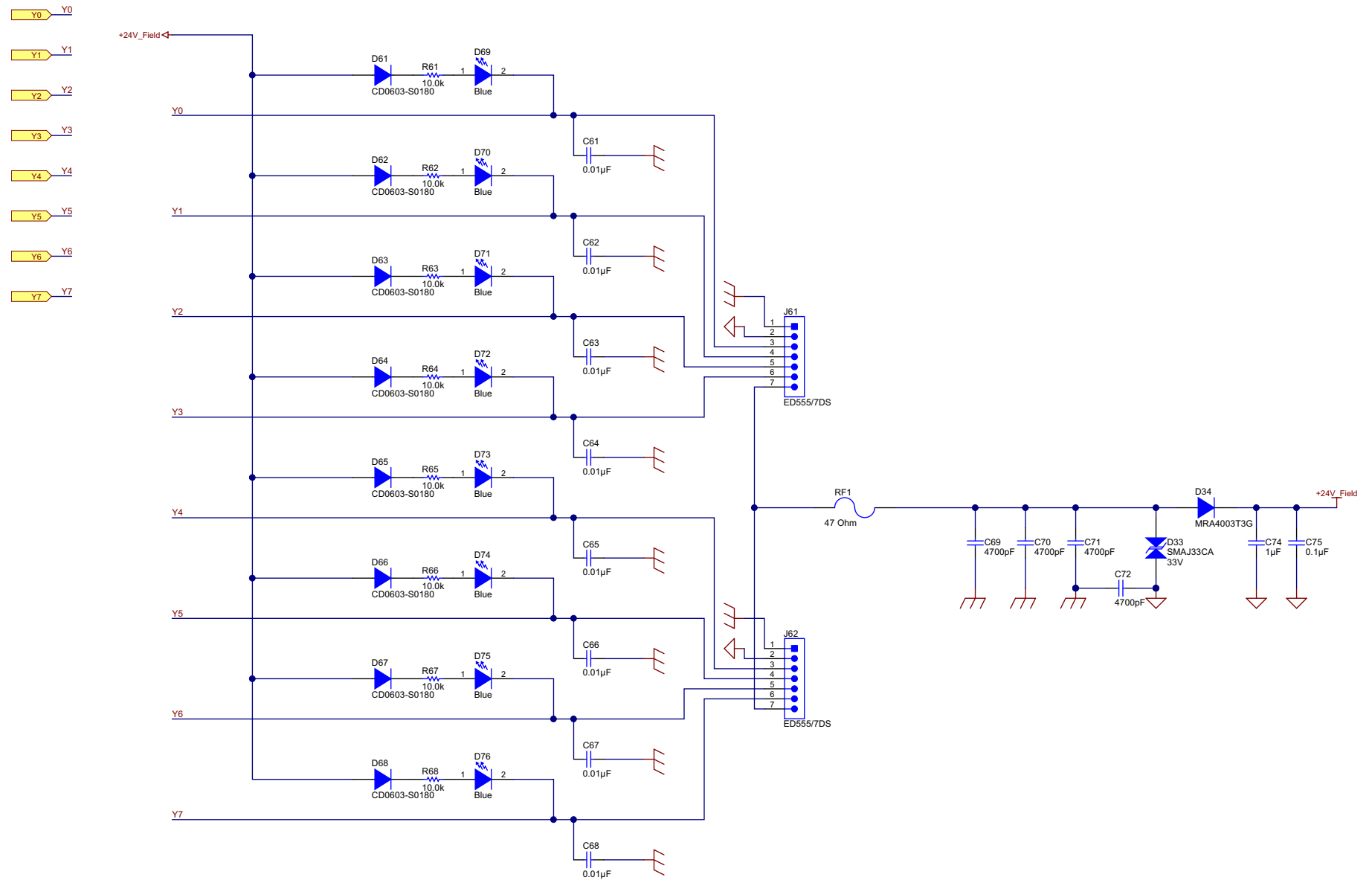


Figure 9-4. Output Connectors and Protection Schematic

9.2 Bill of Materials

To download the bill of materials (BOM), see the design files at [TIDA-00236](#).

Table 9-1. BOM

| ITEM | QTY | REFERENCE | VALUE | PART DESCRIPTION | MANUFACTURER | MANUFACTURER PARTNUMBER | PCB FOOTPRINT | NOTE |
|------|-----|--|---------------|---|--------------------------|-------------------------|------------------------------|-----------------------------|
| 1 | 1 | IPCB1 | | Printed Circuit Board | Any | PCB | | Printed Circuit Board |
| 2 | 7 | C2, C23, C28, C29, C35, C36, C41 | 0.1 μ F | CAP, CERM, 0.1 μ F, 25 V, \pm 10%, X5R, 0402 | MuRata | GRM155R61E104KA87D | 0402 | GRM155R61E104KA87D |
| 3 | 1 | C21 | 0.022 μ F | CAP, CERM, 0.022 μ F, 50 V, \pm 10%, C0G/NP0, 0402 | MuRata | GCM155R71H223KA55D | 0402 | GCM155R71H223KA55D |
| 4 | 1 | C22 | 4.7 μ F | CAP, CERM, 4.7 μ F, 16 V, \pm 10%, X7R, 0805 | MuRata | GRM21BR71C475KA73L | 0805_HV | GRM21BR71C475KA73L |
| 5 | 1 | C24 | 0.1 μ F | CAP, CERM, 0.1 μ F, 50 V, \pm 10%, X7R, 0603 | MuRata | GCM188R71H104KA57D | 0603 | GCM188R71H104KA57D |
| 6 | 1 | C25 | 0.47 μ F | CAP, CERM, 0.47 μ F, 6.3 V, \pm 10%, X5R, 0402 | MuRata | GRM155R60J474KE19D | 0402S | GRM155R60J474KE19D |
| 7 | 1 | C33 | 1000 pF | CAP, CERM, 1000 pF, 2 KV, 10% X7R 1206 | Johanson Dielectrics Inc | 202R18W102KV4E | 1206 | 202R18W102KV4E |
| 8 | 3 | C42, C43, C44 | 0.1 μ F | CAP, CERM, 0.1 μ F, 50 V, \pm 10%, X7R, 0603 | AVX | 06035C104KAT2A | 0603 | 06035C104KAT2A |
| 9 | 2 | C45, C46 | 0.1 μ F | CAP, CERM, 0.1 μ F, 100 V, \pm 10%, X7R, 0805 | Samsung | CL21B104KCF5FNE | 0805_HV | CL21B104KCF5FNE |
| 10 | 8 | C61, C62, C63, C64, C65, C66, C67, C68 | 0.01 μ F | CAP, CERM, 0.01 μ F, 50 V, \pm 10%, X8R, 0603 | TDK | C1608X8R1H103K | 0603 | C1608X8R1H103K |
| 11 | 4 | C69, C70, C71, C72 | 4700 pF | CAP, CERM, 4700 pF, 50 V, \pm 10%, X5R, 0603 | MuRata | GRM188R61H472KA01D | 0603 | GRM188R61H472KA01D |
| 12 | 1 | C74 | 1 μ F | CAP, CERM, 1 μ F, 50 V, \pm 10%, X7R, 1206 | TDK | C3216X7R1H105K | 1206 | C3216X7R1H105K |
| 13 | 1 | C75 | 0.1 μ F | CAP, CERM, 0.1 μ F, 50 V, \pm 10%, X7R, 0603 | Kemet | C0603C104K5RACTU | 0603 | C0603C104K5RACTU |
| 14 | 4 | D21, D22, D24, D25 | Green | LED, Green, SMD | Lite-On | LTST-C190KGKT | LED_LTST-C190_G | LTST-C190KGKT |
| 15 | 1 | D23 | MMBD1204 | Diode, Small Signal, 100 V, 200 mA | Fairchild | D-MMBD1204 | SOT-23 | D-MMBD1204 |
| 16 | 1 | D33 | 33 V | Diode, TVS, Bi, 33 V, 400 W, SMA | Littelfuse | SMAJ33CA | SMA | SMAJ33CA |
| 17 | 1 | D34 | 300 V | Diode, Standard Recovery Rectifier, 300 V, 1 A, SMA | ON Semiconductor | MRA4003T3G | SMA | MRA4003T3G |
| 18 | 8 | D41, D42, D43, D44, D45, D46, D47, D48 | Orange | LED, Orange, SMD | Lite-On | LTST-C190KFKT | LED_LTST-C190 | LTST-C190KFKT |
| 19 | 8 | D49, D50, D51, D52, D53, D54, D55, D56 | Red | LED, Red, SMD | Lite-On | LTST-C190CKT | LED_LTST-C190_Red | LTST-C190CKT |
| 20 | 2 | D57, D58 | 48 V | Diode, TVS, Uni, 48 V, 600 W, SMB | Diodes Inc. | SMBJ48A-13-F | SMB | SMBJ48A-13-F |
| 21 | 8 | D61, D62, D63, D64, D65, D66, D67, D68 | 90 V | Diode, Switching, 90 V, 0.1 A, 0603 Diode | Bourns | CD0603-S0180 | Diode_0603 | CD0603-S0180 |
| 22 | 8 | D69, D70, D71, D72, D73, D74, D75, D76 | Blue | LED, Blue, SMD | OSRAM | LB Q39G-L2N2-35-1 | LB Q39G_BLUE | LB Q39G-L2N2-35-1 |
| 23 | 1 | J1 | | Header, 100mil, 7 \times 2, Vertical, Gold, SMT | Samtec | TSM-107-02-L-DV-P | SAMTEC_TSM-107-02-L-DV-P | TSM-107-02-L-DV-P |
| 24 | 1 | J2 | | Receptacle, 0.8 mm, 25 \times 2, SMT | Samtec | ERF8-025-05-0-L-DV-K-TR | CONN_ERF8-025-05-0-L-DV-L-TR | ERF8-025-05-0-L-DV-K-TR |
| 25 | 2 | J61, J62 | | Terminal Block, 6 A, 3.5-mm Pitch, 7-Pos, TH | On-Shore Technology | ED555/7DS | On-Shore_ED555-7DS | ED555/7DS |
| 26 | 1 | L21 | 68 μ H | Inductor, Wirewound, Ferrite, 68 μ H, 0.35 A, 0.852 Ω , SMD | Bourns | SRN4026-680M | SRN4026 | SRN4026-680M |
| 27 | 1 | LBL1 | | Thermal Transfer Printable Labels, 0.650" W \times 0.200" H - 10,000 per roll | Brady | THT-14-423-10 | Label_650x200 | Size: 0.65" \times 0.20 " |
| 28 | 2 | R7, R9 | 1.5 k | RES, 1.5 k Ω , 5%, 0.063 W, 0402 | Vishay-Dale | CRCW04021K50JNED | 0402 | CRCW04021K50JNED |
| 29 | 2 | R21, R35 | 7.5 k | RES, 7.5 k Ω , 5%, 0.063 W, 0402 | Vishay-Dale | CRCW04027K50JNED | 0402S | CRCW04027K50JNED |
| 30 | 1 | R22 | 10.0 | RES, 10.0 Ω , 1%, 0.1 W, 0603 | Vishay-Dale | CRCW060310R0FKEA | 0603 | CRCW060310R0FKEA |
| 31 | 1 | R23 | 86.6 k | RES, 86.6 k Ω , 1%, 0.1 W, 0603 | Vishay-Dale | CRCW060386K6FKEA | 0603 | CRCW060386K6FKEA |

Table 9-1. BOM (continued)

| ITEM | QTY | REFERENCE | VALUE | PART DESCRIPTION | MANUFACTURER | MANUFACTURER PARTNUMBER | PCB FOOTPRINT | NOTE |
|------|-----|--|--------|--|------------------------|-------------------------|---------------|-------------------|
| 32 | 1 | R24 | 66.5 k | RES, 66.5 kΩ, 1%, 0.1 W, 0603 | Vishay-Dale | CRCW060366K5FKEA | 0603 | CRCW060366K5FKEA |
| 33 | 2 | R25, R36 | 1.2 k | RES, 1.2 kΩ, 5%, 0.063 W, 0402 | Vishay-Dale | CRCW04021K20JNED | 0402S | CRCW04021K20JNED |
| 34 | 2 | R26, R30 | 2.00 k | RES, 2.00 kΩ, 1%, 0.063 W, 0402 | Vishay-Dale | CRCW04022K00FKED | 0402 | CRCW04022K00FKED |
| 35 | 2 | R27, R28 | 4.7 k | RES, 4.7 kΩ, 5%, 0.063 W, 0402 | Vishay-Dale | CRCW04024K70JNED | 0402S | CRCW04024K70JNED |
| 36 | 5 | R29, R32, R33, R34, R42 | 10 E | RES, 10 Ω, 5%, 0.063 W, 0402 | Vishay-Dale | CRCW040210R0JNED | 0402S | CRCW040210R0JNED |
| 37 | 1 | R31 | 1.00 | RES, 1.00 Ω, 1%, 0.125 W, 0805 | Vishay-Dale | CRCW08051R00FKEA | 0805_HV | CRCW08051R00FKEA |
| 38 | 1 | R41 | 3.74 k | RES, 3.74 kΩ, 1%, 0.1 W, 0603 | Vishay-Dale | CRCW06033K74FKEA | 0603 | CRCW06033K74FKEA |
| 39 | 8 | R61, R62, R63, R64, R65, R66, R67, R68 | 10.0 k | RES, 10.0 kΩ, 1%, 0.1 W, 0603 | Vishay-Dale | CRCW060310K0FKEA | 0603 | CRCW060310K0FKEA |
| 40 | 1 | RF1 | 47 | RES, 47 Ω, 10%, 2 W, Fusible, TH | TT Electronics/IRC | EMC2-47RKI | EMC2 | 47 Ohm |
| 41 | 1 | U2 | | IC, EEPROM, 2KB, 1 MHZ, SOIC-8 | Atmel | AT24C02C-SSHM-B | SOIC-8M | AT24C02C-SSHM-B |
| 42 | 1 | U21 | | Ultra-Low Quiescent Current LDO Voltage Regulator, 4-pin SOT-223, Pb-Free | National Semiconductor | LM2936MP-3.3/NOPB | MP04A_N | LM2936MP-3.3/NOPB |
| 43 | 1 | U22 | | 100-V, 150-mA Constant On-Time Buck Switching Regulator, 8-pin MSOP, Pb-Free | Texas Instruments | LM5009AMM/NOPB | MUA08A_N | LM5009AMM/NOPB |
| 44 | 1 | U23 | | 150 Mbps Dual Channels, 1 / 1, Digital Isolator, 2.25 V / 5 V, -40°C to 125°C, 8-pin SOIC (D), Green (RoHS and no Sb/Br) | Texas Instruments | ISO6421DR | D0008A_N | ISO6421DR |
| 45 | 1 | U24 | | 10400-VPK Small-Footprint and Low-Power Quad Channels Digital Isolators, DBQ0016A | Texas Instruments | ISO6441DBQR | DBQ0016A_N | ISO6441DBQR |
| 46 | 1 | U41 | | 16-Bit Constant-Current LED Sink Driver, 3 to 5.5 V, -40°C to 85°C, 24-pin SOP (DBQ24), Green (RoHS and no Sb/Br) | Texas Instruments | TLC5927IDBQR | DBQ0024A_N | TLC5927IDBQR |
| 47 | 2 | U42, U43 | | Quad Serial Interface Low-Side Driver IC, PWP0016D | Texas Instruments | DRV8804PWPR | PWP0016D_N | DRV8804PWPR |
| 48 | 2 | U42, U43 alternate | | Four-Channel Low-side Driver with Hardware, SPI, and Configurable Slew Rate and Cut-off Duration, PWP-20 | Texas Instruments | DRV81646PWPR | PWP0020AC | DRV81646PWPR |

9.3 PCB Layout

9.3.1 Layer Plots

To download the layer plots, see the design files at [TIDA-00236](#).

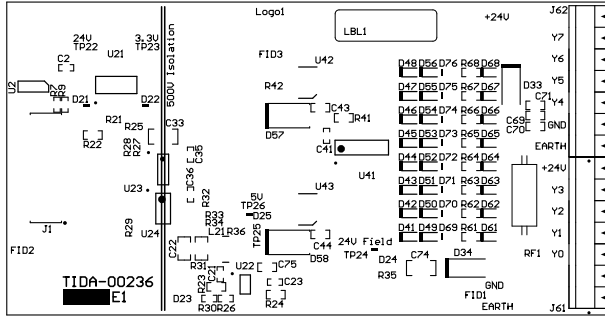


Figure 9-5. Top Silkscreen

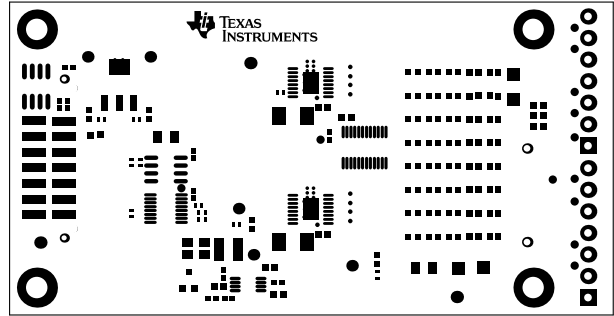


Figure 9-6. Top Solder Mask

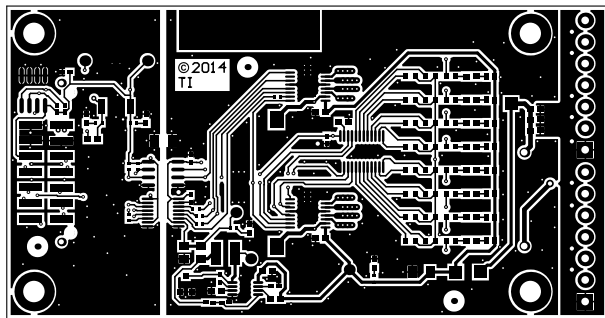


Figure 9-7. Top Layer

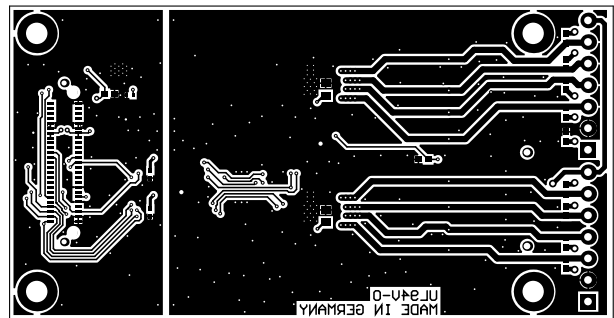


Figure 9-8. Bottom Layer

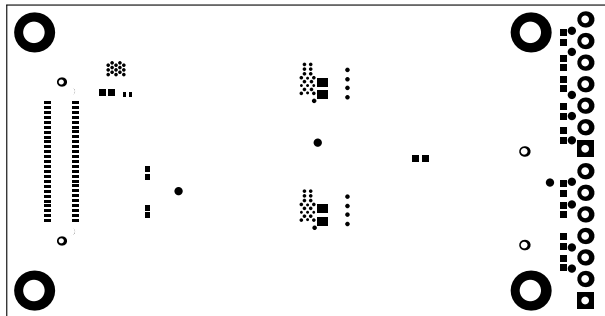


Figure 9-9. Bottom Solder Mask

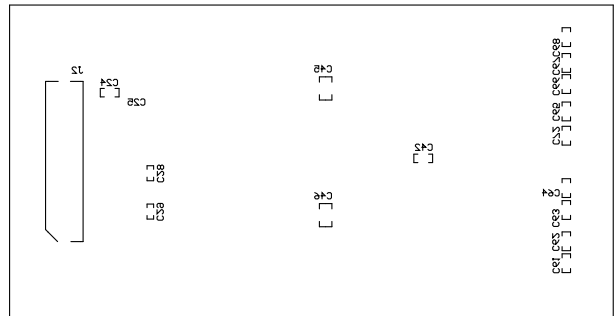
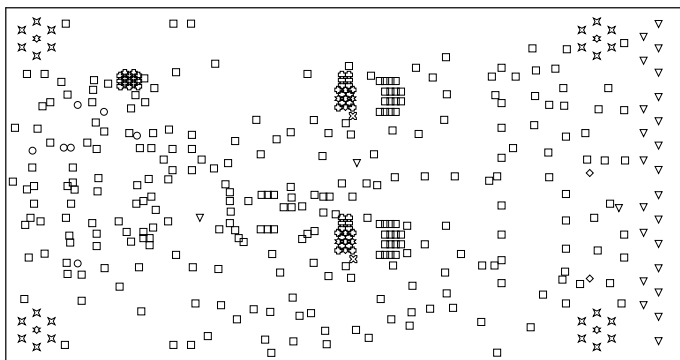


Figure 9-10. Bottom Silkscreen



| Symbol | Hit Count | Tool Size | Plated | Hole Type |
|-----------|-----------|--------------------|--------|-----------|
| * | 10 | 7.874mil (0.2mm) | PTH | Round |
| ⊙ | 43 | 8mil (0.203mm) | PTH | Round |
| ⊗ | 2 | 10mil (0.254mm) | PTH | Round |
| □ | 274 | 12mil (0.305mm) | PTH | Round |
| ○ | 5 | 16mil (0.406mm) | PTH | Round |
| × | 24 | 19.685mil (0.5mm) | PTH | Round |
| ▽ | 12 | 28mil (0.711mm) | PTH | Round |
| □ | 2 | 33mil (0.838mm) | PTH | Round |
| ◇ | 2 | 43.307mil (1.1mm) | PTH | Round |
| ▽ | 14 | 50mil (1.27mm) | PTH | Round |
| ○ | 2 | 57.087mil (1.45mm) | NPTH | Round |
| * | 4 | 137.795mil (3.5mm) | PTH | Round |
| 394 Total | | | | |

Figure 9-11. Drill Drawing

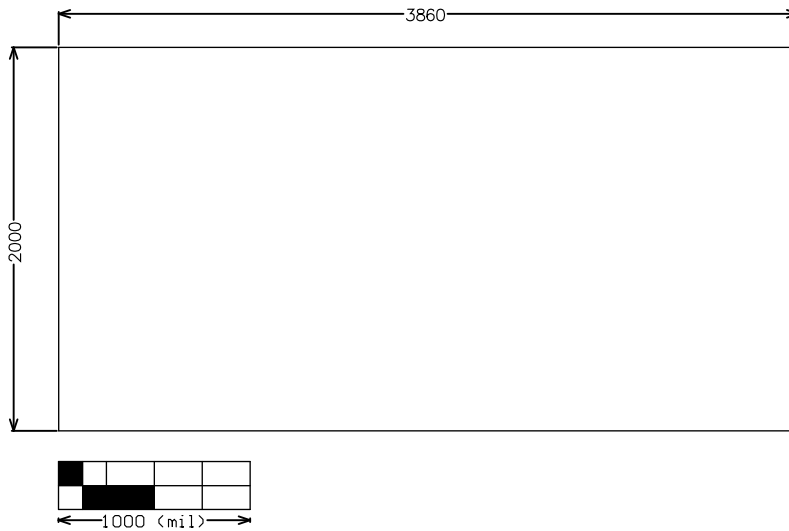


Figure 9-12. Mechanical Dimensions

9.4 Altium Project

To download the Altium project files, see the design files at [TIDA-00236](#).

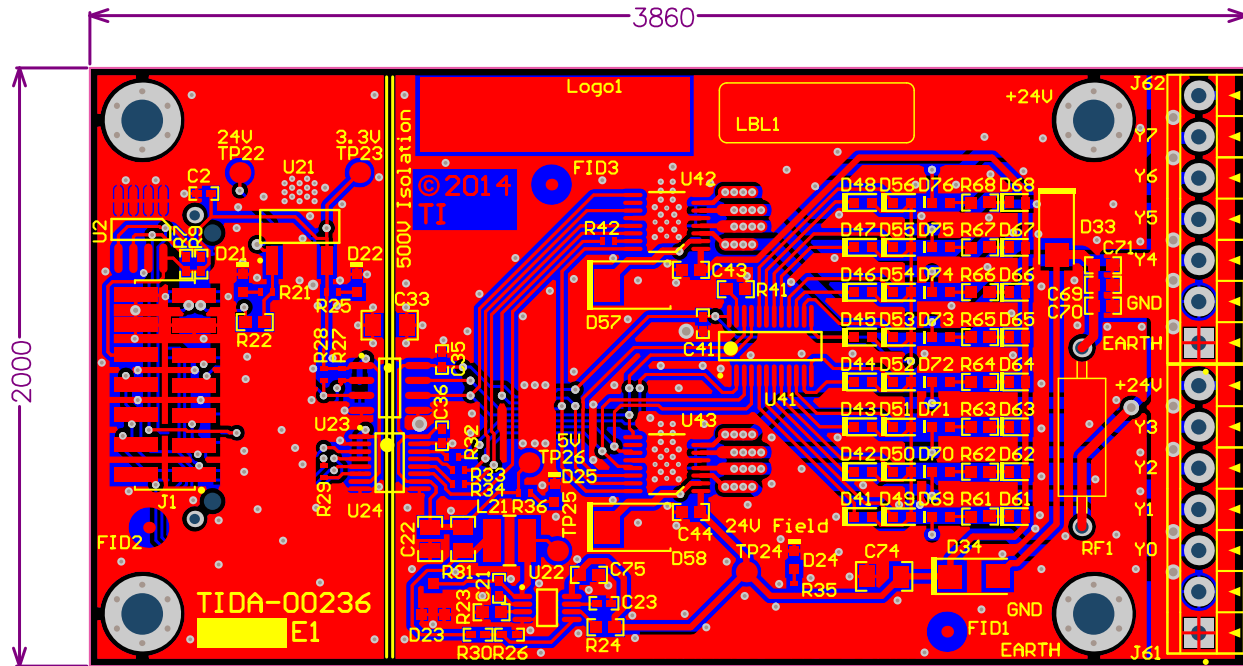


Figure 9-15. All Layers

9.5 Gerber Files

To download the Gerber files, see the design files at [TIDA-00236](#).

9.6 Assembly Drawings

To download the assembly drawings, see the design files at [TIDA-00236](#).

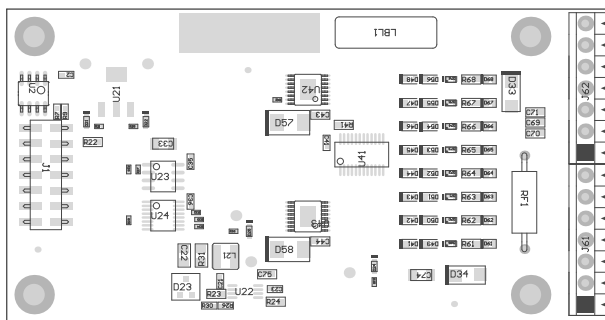


Figure 9-16. Top Side Assembly Drawing

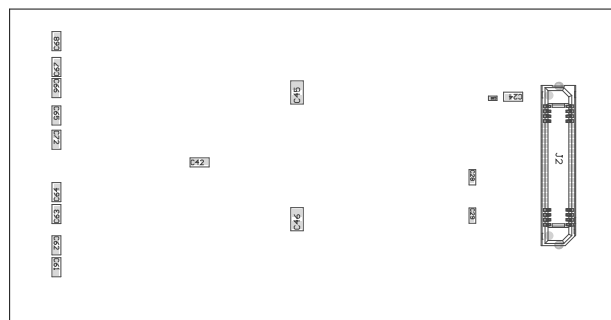


Figure 9-17. Bottom Side Assembly Drawing

9.7 Software Files

To download the software files, see the design files at [TIDA-00236](#).

10 References

1. Texas Instruments, [PLC I/O Module Front-End Controller Using a Tiva C Series ARM Cortex-M4 MCU Design Guide](#)
2. Texas Instruments, [Thermal Considerations for Surface Mount Layouts](#) Seminar

11 About the Author

INGOLF FRANK is a systems engineer in the Texas Instruments Factory Automation and Control team, focusing on PLC I/O modules. Ingolf works across multiple product families and technologies to leverage the best designs possible for system level application design. Ingolf earned his electrical engineering degree [Dipl. Ing. (FH)] in the field of information technology at the University of Applied Sciences Bielefeld, Germany in 1991.

ANUPAM MAJJAGI is doing his master thesis at Texas Instruments in the Factory Automation and Control team. A part of his thesis involves writing test programs and firmware to test TIDA-00236 and communicate with the design. He is pursuing his master degree in embedded and microelectronics at Hochschule Darmstadt, Germany.

HENRIK MANNESSON is a system engineer at Texas Instruments Germany in the Factory Automation and Control team. Henrik earned his master of science in electrical engineering (MSEE) from Lunds University of Technology (LTH), Lund, Sweden.

12 Revision History

NOTE: Page numbers for previous revisions may differ from page numbers in the current version.

| Changes from Revision * (September 2014) to Revision A (January 2026) | Page |
|--|-------------|
| • Updated the numbering format for tables, figures, and cross-references throughout the document..... | 1 |
| • Changed device support throughout the document from ISO7141 and ISO7421 to ISO6441 and ISO6421. Additionally, changed DRV8804 to DRV81646..... | 1 |

IMPORTANT NOTICE AND DISCLAIMER

TI PROVIDES TECHNICAL AND RELIABILITY DATA (INCLUDING DATASHEETS), DESIGN RESOURCES (INCLUDING REFERENCE DESIGNS), APPLICATION OR OTHER DESIGN ADVICE, WEB TOOLS, SAFETY INFORMATION, AND OTHER RESOURCES "AS IS" AND WITH ALL FAULTS, AND DISCLAIMS ALL WARRANTIES, EXPRESS AND IMPLIED, INCLUDING WITHOUT LIMITATION ANY IMPLIED WARRANTIES OF MERCHANTABILITY, FITNESS FOR A PARTICULAR PURPOSE OR NON-INFRINGEMENT OF THIRD PARTY INTELLECTUAL PROPERTY RIGHTS.

These resources are intended for skilled developers designing with TI products. You are solely responsible for (1) selecting the appropriate TI products for your application, (2) designing, validating and testing your application, and (3) ensuring your application meets applicable standards, and any other safety, security, regulatory or other requirements.

These resources are subject to change without notice. TI grants you permission to use these resources only for development of an application that uses the TI products described in the resource. Other reproduction and display of these resources is prohibited. No license is granted to any other TI intellectual property right or to any third party intellectual property right. TI disclaims responsibility for, and you fully indemnify TI and its representatives against any claims, damages, costs, losses, and liabilities arising out of your use of these resources.

TI's products are provided subject to [TI's Terms of Sale](#), [TI's General Quality Guidelines](#), or other applicable terms available either on ti.com or provided in conjunction with such TI products. TI's provision of these resources does not expand or otherwise alter TI's applicable warranties or warranty disclaimers for TI products. Unless TI explicitly designates a product as custom or customer-specified, TI products are standard, catalog, general purpose devices.

TI objects to and rejects any additional or different terms you may propose.

Copyright © 2026, Texas Instruments Incorporated

Last updated 10/2025