

# TI Designs

## Ultra-Small, Flexible LED Expansion Reference Design



### Description

This document focuses on two reference designs using the SN74HC595B 8-bit shift register with three state output registers and the SN74LVC244A octal buffer with three-state outputs in the ultra-small X1QFN package to expand a limited number of general purpose outputs to a larger number of general purpose outputs. The *Seven Segment Driver Reference Design* (Section 2.1) focuses on individually controlling the eight LEDs in a seven-segment display with hardware that fits underneath the seven segment. The *8x8 LED Matrix Reference Design* (Section 2.2) focuses on driving 64 LEDs arranged as an 8x8 matrix display, which can be panelized to create larger displays.

### Resources

<a href="#">TIDA-01233</a>	Design Folder
<a href="#">SN74HC595B</a>	Product Folder
<a href="#">SN74LVC244A</a>	Product Folder



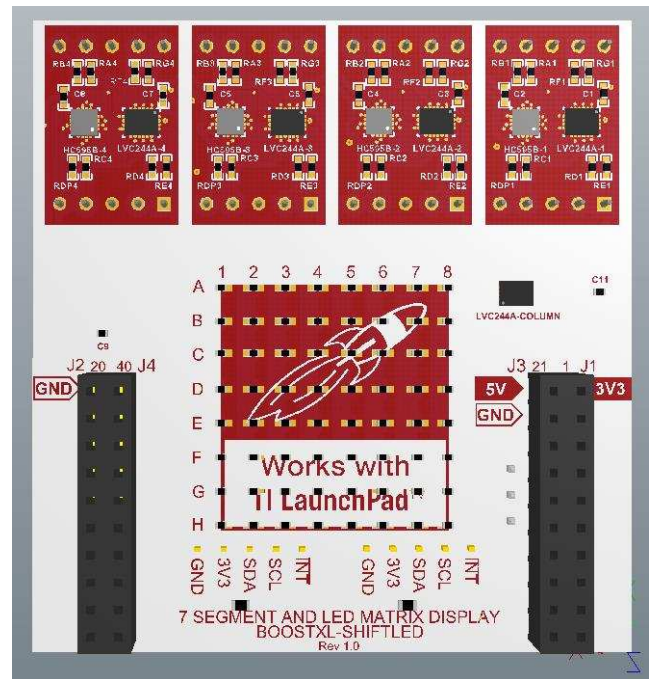
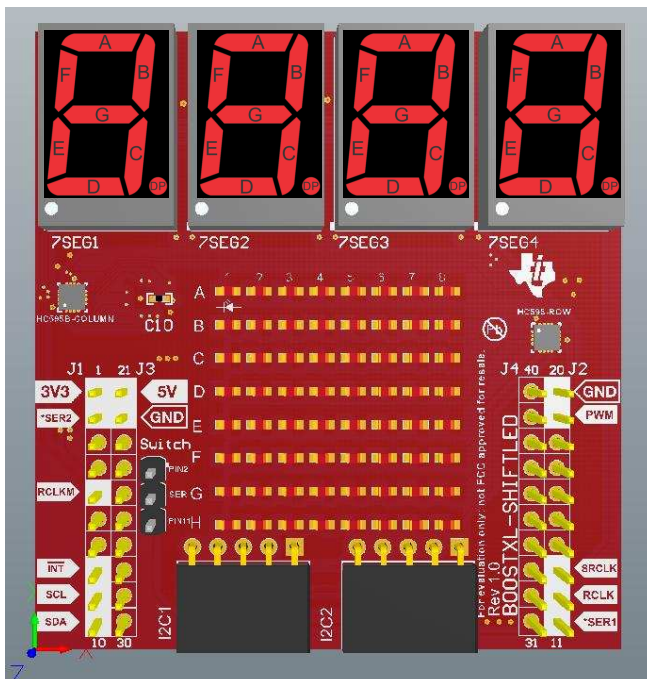
[ASK Our E2E Experts](#)

### Features

- Wide-Voltage Supply Range of 2 V to 3.6 V
- Expands Three General Purpose Output Pins to 64+ Outputs
- Adaptable to Wide Range of Output Expansion Applications
- Simple Cost-Effective Solution
- Allows Custom Character Displays on Seven Segments
- Indefinitely expandable to additional Seven Segments
- Drive 8x8 Light-Emitting Diode (LED) Matrix With Only Three General Purpose Output Pins
- Compatible With 2.5-V and 3.3-V Standard Logic Outputs

### Applications

- White Goods
- Microwave Ovens
- Home Automation
- Controllable Electronic Displays
- Industrial Readouts





An IMPORTANT NOTICE at the end of this TI reference design addresses authorized use, intellectual property matters and other important disclaimers and information.

## 1 System Overview

### 1.1 System Description

The *Ultra-Small Flexible Output Expansion Reference Design* demonstrates the compactness of the X1QFN package in a common application. By easily fitting the control circuitry behind the elements that they drive, board space requirements are significantly reduced from a traditional solution. The shift registers used can be controlled from any voltage-compatible controller, enabling use of this design across a broad variety of end equipments.

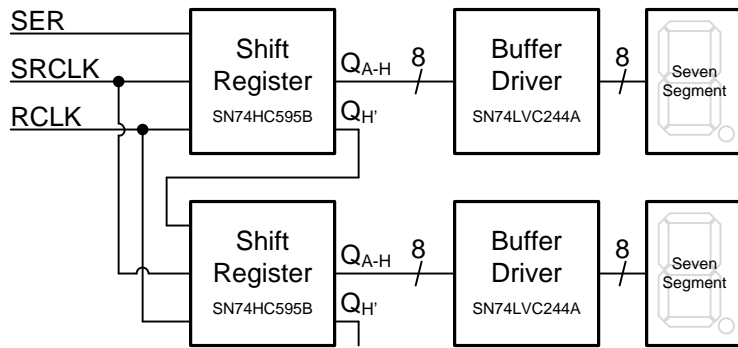
The test board shown on the first page has four instances of the *Seven-Segment Driver Reference Design* ([Section 2.1](#)) serially linked. Any number of digits can be serially connected and function almost identically. That board also contains one instance of the *8x8 LED Matrix Reference Design* ([Section 2.2](#)). A larger or smaller matrix is easy to build using the same design techniques.

### 1.2 Key System Specifications

**Table 1. Key System Specifications**

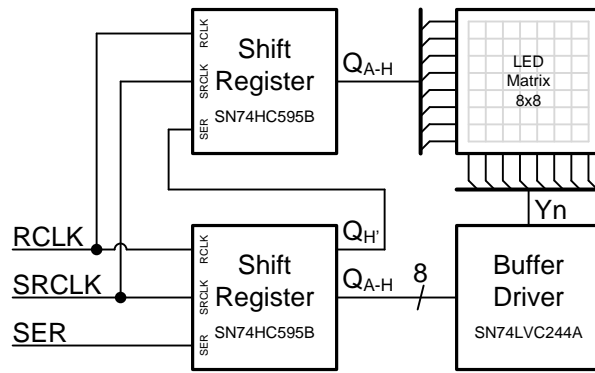
PARAMETER	SPECIFICATIONS
Recommended $V_{CC}$	3.3 V
Absolute maximum $V_{CC}$	2 V to 3.6 V
Recommended input and output voltage	0 V to 5.5 V
Absolute maximum input and output voltage	-0.5 V to 6.5 V
Typical LED current consumption of an LED in the LED matrix	2 mA
Typical current consumption of one of the segments in the seven segment	8 mA

### 1.3 Block Diagram



Copyright © 2016, Texas Instruments Incorporated

**Figure 1. Block Diagram for Seven-Segment Driver Reference Design**



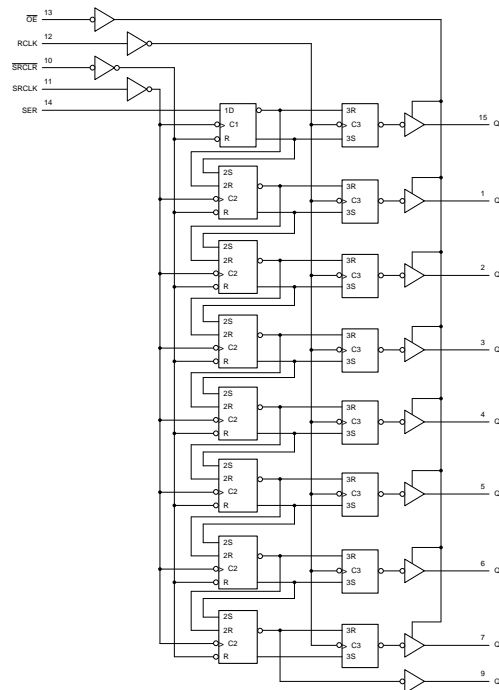
Copyright © 2016, Texas Instruments Incorporated

**Figure 2. Block Diagram for 8x8 LED Matrix Reference Design**

## 1.4 Highlighted Products

### 1.4.1 SN74HC595B

The SN74HC595B devices (see [Figure 3](#)) contain an 8-bit, serial-in, parallel-out shift register that feeds an 8-bit D-type storage register. The storage register has parallel three-state outputs. Separate clocks are provided for both the shift register and storage register. The shift register has a direct overriding clear (SRCLR) input, serial (SER) input, and serial outputs for cascading. When the output-enable ( $\overline{OE}$ ) input is high, then all outputs are in the high-impedance state except  $Q_{H1}$ .



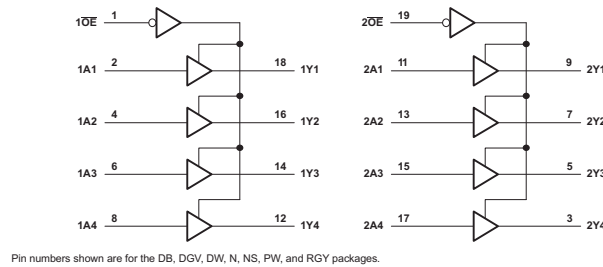
**Figure 3. Logic Diagram for SN74HC595B**

#### 1.4.1.1 SN74HC595B Features

- 8-bit serial-in, parallel-out shift registers
- Available in ultra-small logic QFN package (0.5-mm maximum height)
- Overvoltage tolerant on inputs independent of  $V_{CC}$
- Wide-operating voltage range of 2 V to 6 V
- High-current three-state outputs can drive up to 15 LSTTL loads
- Low power consumption: 80- $\mu$ A (maximum)  $I_{CC}$
- $t_{pd} = 13$  ns (typical)
- $\pm 6$ -mA output drive at 5 V
- Low input current: 1  $\mu$ A (maximum)
- $-55^{\circ}\text{C}$  to  $125^{\circ}\text{C}$  operating temperature

## 1.4.2 SN74LVC244A

The SN74LVC244A is an octal bus buffer designed for 1.65-V to 3.6-V  $V_{CC}$  operation (see Figure 4). The SN74LVC244A devices are designed for asynchronous communication between data buses.



**Figure 4. Logic Diagram for SN74LVC244A**

### 1.4.2.1 SN74LVC244A Features

- Operates from 1.65 V to 3.6 V
- Inputs accept voltages to 5.5 V
- Maximum  $t_{pd}$  of 5.9 ns at 3.3 V
- Supports mixed-mode signal operation on all ports (5-V input or output voltage with 3.3-V VCC)
- $I_{off}$  supports live insertion, partial-power-down mode, and back-drive protection
- Available in ultra-small logic QFN package (0.5-mm maximum height)
- $t_{pd} = 13$  ns (typical)
- Latch-up performance exceeds 250 mA per JESD 17

## 2 System Design Theory

Both reference designs shown here are for the use of output expansion, specifically to drive large numbers of LEDs from a small number of general purpose input/output (GPIO) pins. Each design takes a different approach, so they have been separated into two sections.

### 2.1 Seven-Segment Driver Reference Design

#### 2.1.1 Concept

Each seven-segment display requires eight LEDs to be controlled (seven LEDs for the digit plus one for the decimal point). Directly controlling so many LEDs from an MCU quickly becomes impractical because of a lack of available digital output pins. By utilizing a serial shift register, the number of output pins drops from 32 for four displays down to only 3. The SN74HC595B device is ideal for this application because it includes both a standard shift register and a D-type register for the outputs, which allows the shift register to load new data while the device outputs continue to display the last loaded data in the output registers.

---

**NOTE:** An important feature to note is that the same three output pins can be used almost indefinitely to expand the outputs by just continually adding serial-in, parallel-out shift registers to the end of the chain. The primary limitation is the amount of time required to load all of the serial devices. For a display application, it is preferable to keep the refresh rate faster than 30 frames per second, which equates to a loading time of about 33.3 ms. At a relatively slow clock speed of 10 kHz, over 40 serial devices (that is, 320+ outputs) can be updated in that time.

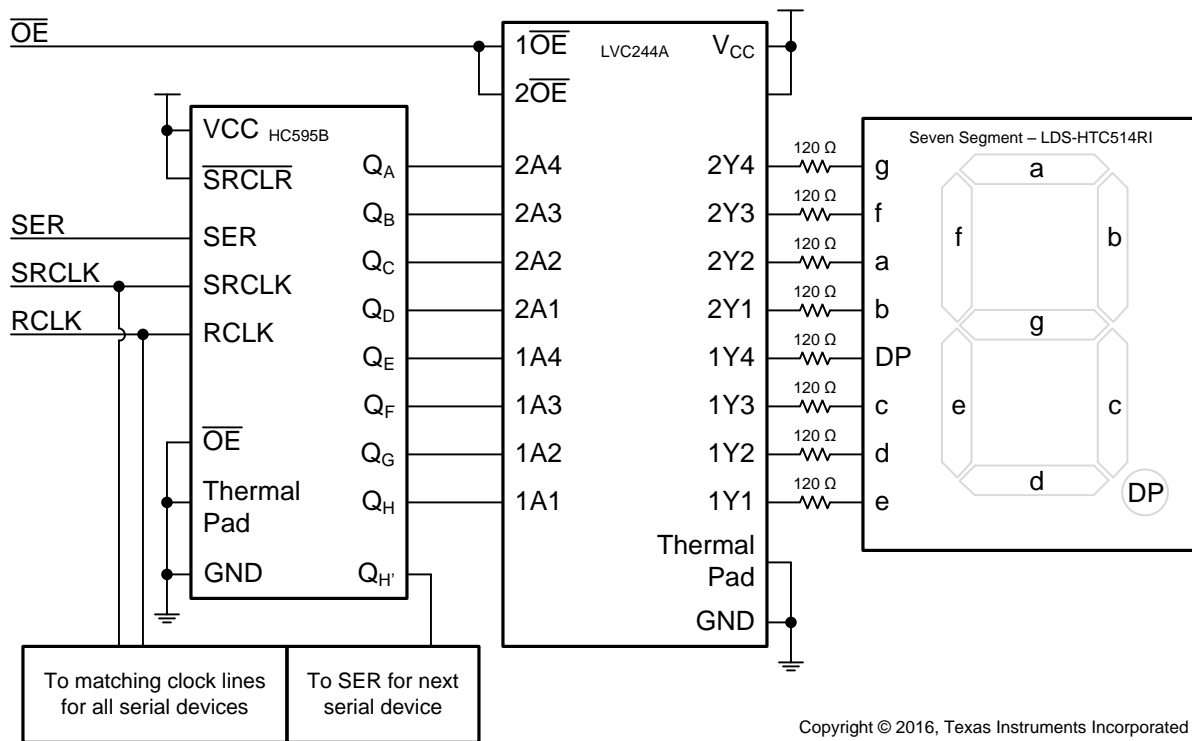
---

The SN74LVC244A device contains eight digital buffers which are used to increase the drive current of the eight channels coming out of the SN74HC595B device. Channels can be paralleled for increased current in higher current applications. For low current applications, the SN74LVC244A is often not required.

Two pins (SER and SRCLK) are required to load the data serially into the shift register, then one pin (RCLK) is used to save that data to the output registers. These three pins allow for complete control of the seven-segment display. Any individual LED can be turned ON or OFF as is required by the controller.

### 2.1.2 Schematic

The  $V_{CC}$  rail goes to 3.3 V. The four lines labeled  $\overline{OE}$ , SER, SRCLK, and RCLK are the only lines used to control the seven-segment driver (see Figure 5).



Copyright © 2016, Texas Instruments Incorporated

Figure 5. Seven-Segment Driver Reference Design Schematic

### 2.1.3 Component Selection

The SN74HC595B is the chosen shift register and was selected for its extremely small size. The SN74HC595B is available in the X1QFN (extra-small quad-flatpack without leads), which allows it to be used in extremely space-constrained designs. In this case, the SN74HC595B device is placed between the leads of the chosen seven-segment display on the back of the board. Essentially, the size requirement for the seven-segment display board only requires that it be large enough to include the seven-segment display elements and a connector for the control and power lines (five total wires). Additionally, the SN74HC595B device can be linked serially, creating a long chain of seven-segment display digits without the requirement for additional control lines.

The SN74HC595B can only source 70 mA total for all eight output channels; however, this design requires 80 mA, so a second driver chip is required. The SN74LVC244A device contains eight digital buffers capable of driving up to a total of 100 mA (12.5 mA per channel). This reference design uses one of these devices per seven-segment display to drive the LEDs. Each LED in the display is specified to operate at 10 mA and is driven from a single channel of the SN74LVC244A device. Note that it is possible to parallel channels of the SN74LVC244A device to increase drive current if required.

The seven-segment module was selected for color, size, cost, and through-hole design. The module was specifically chosen to be through-hole to show how small the X1QFN packages really are; because the pins go all the way through the board, the pins frame the control circuitry on the back. As Figure 7 shows, all control circuitry required to drive the seven-segment display fits between the pins on the back of the board, which includes all passive and active components.

Each segment LED has a series resistor to limit the current going through it. The resistor value ( $R_s$ ) was calculated from the required current for the LED ( $i_f$ ), the forward voltage for the LED ( $V_f$ ), and the output voltage of the SN74LVC244A ( $V_{OH}$ ). The following Equation 1 used is:

$$R_s = \frac{V_{OH} - V_f}{i_f} \tag{1}$$

The required LED current is 10 mA, the forward voltage of the LED is 2.1 V, and  $V_{OH}$  can be assumed very close to  $V_{CC}$  because of the supplied current being significantly below the data sheet specified value for  $V_{OH}$  at 24 mA. Inputting those values results in Equation 2:

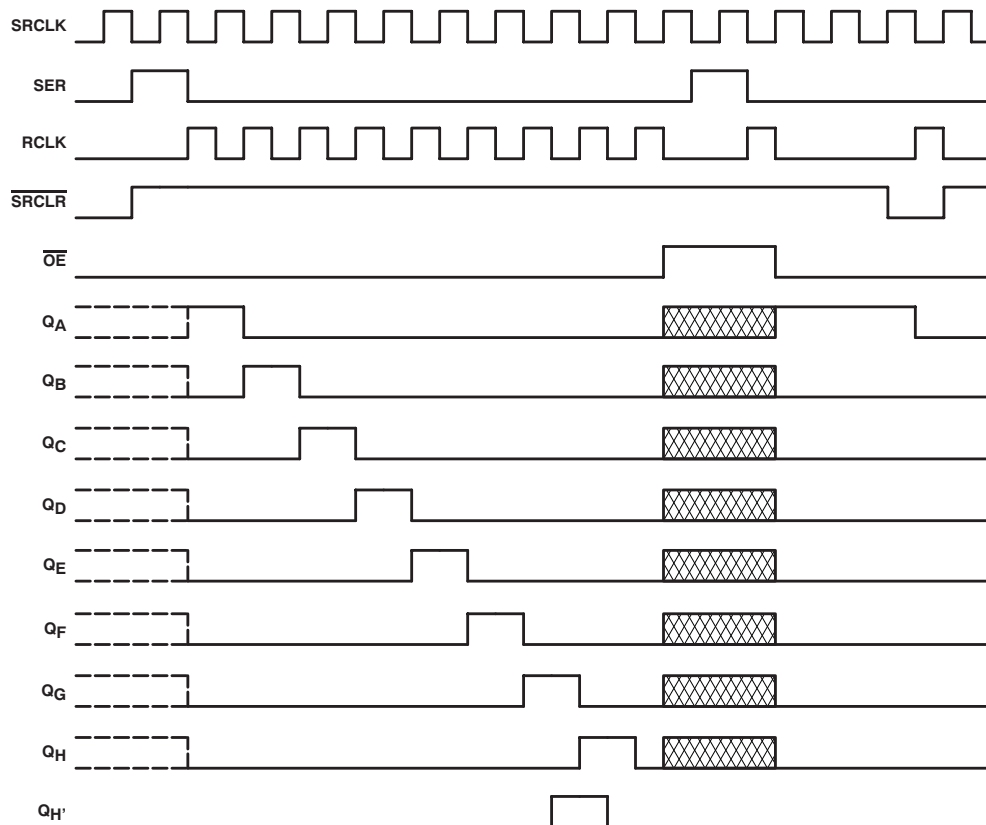
$$\frac{3.3\text{ V} - 2.1\text{ V}}{10\text{ mA}} = 120\ \Omega \tag{2}$$

### 2.1.4 Timing and Control Requirements

Each string of an SN74HC595B device requires three control lines: serial data (SER), serial clock (SRCLK), and register clock (RCLK). This reference design includes a fourth line to allow for dimming the display, which is tied to the output enable pin of the SN74LVC244A device. By applying a PWM signal to the  $\overline{OE}$  input, the display brightness can be precisely controlled.

To load data into the shift register, first SRCLK and RCLK must be in the LOW state. SER is set to the first desired bit value, then SRCLK is pulsed to clock that value into the shift register. This process is repeated for all 8 bits of the shift register. As soon as the data has been loaded into the shift register, RCLK is pulsed to push the data from the internal register to the outputs of the device. The output registers continue to hold the values shifted into them until either another RCLK is received or the device has been powered off.

Figure 6 shows the timing diagram for the SN74HC595B.



NOTE:  implies that the output is in 3-State mode.

Figure 6. Timing Diagram for the SN74HC595B



### 2.1.5 Layout

The channels used on the SN74LVC244A have been selected such that they were aligned with the pins of the seven-segment. Resistors and capacitors are in the 0402 package and the SN74HC595B and SN74LVC244A are in the X1QFN package. In this example, the  $Q_H$  signal from this device continues on to the neighboring seven-segment. An MCU on a separate board is connected through a header (not shown) to the OE line of the SN74LVC244A device and the SER, SRCLK, and RCLK lines of the SN74HC595B device.

Because of the low current requirements of this circuit, the traces can be extremely small. The size is limited by the manufacturer and not the actual current requirement of the trace. In this case, the manufacturer required 5-mil minimum traces and the traces shown are 5mil wide (see [Figure 7](#)).

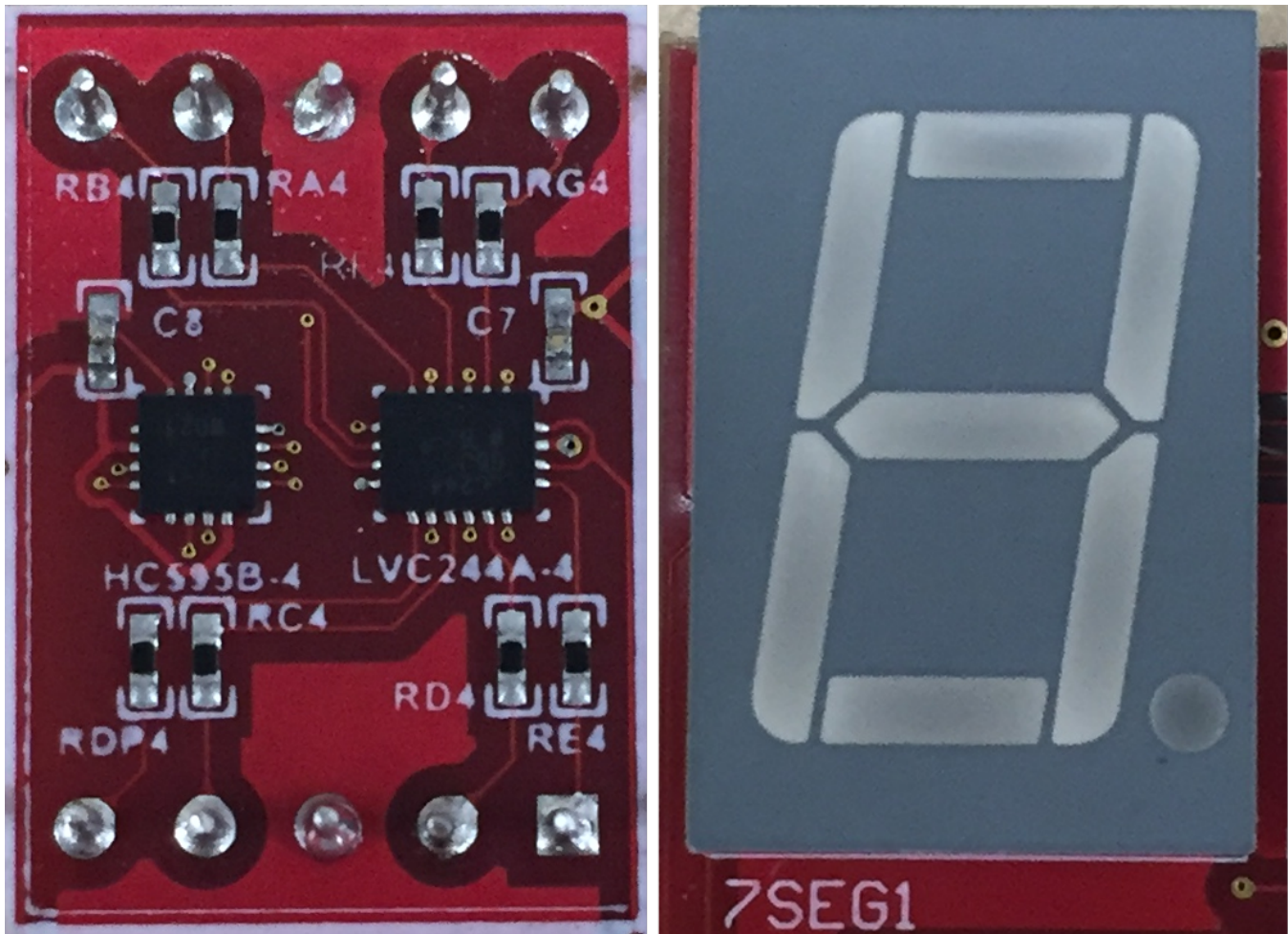


Figure 7. Seven-Segment Driver Reference Design Hardware Layout Example From BOOSTXL-SHIFTLED BoosterPack™ Plug-in Module (Left: Board Back, Right: Board Front)

## 2.2 8×8 LED Matrix Reference Design

### 2.2.1 Concept

64 digital outputs are the number of outputs required to individually control all the LEDs in an 8×8 matrix display. Directly controlling so many LEDs from an MCU quickly becomes impractical because of a lack of available digital output pins. By utilizing a serial shift register, the number of output pins drops from 64 to only 3. The SN74HC595B is ideal for this application because it includes both a standard shift register and a D-type register for the outputs, which allows the shift register to have new data loaded while the device outputs continue to display the last loaded data in the output registers.

Individually controlling all of the LEDs in an 8×8 matrix is possible using shift registers, which would require eight 8-bit shift registers and still only require three control lines. By only turning on one column at a time and scanning across the columns at a high speed, controlling all 64 LEDs is possible with only two shift registers, which is the method chosen for this reference design. One shift register is used to control the active LEDs of the selected column, while a second shift register is used to select which column is active. These two devices are in series to reduce the number of pins required at the MCU.

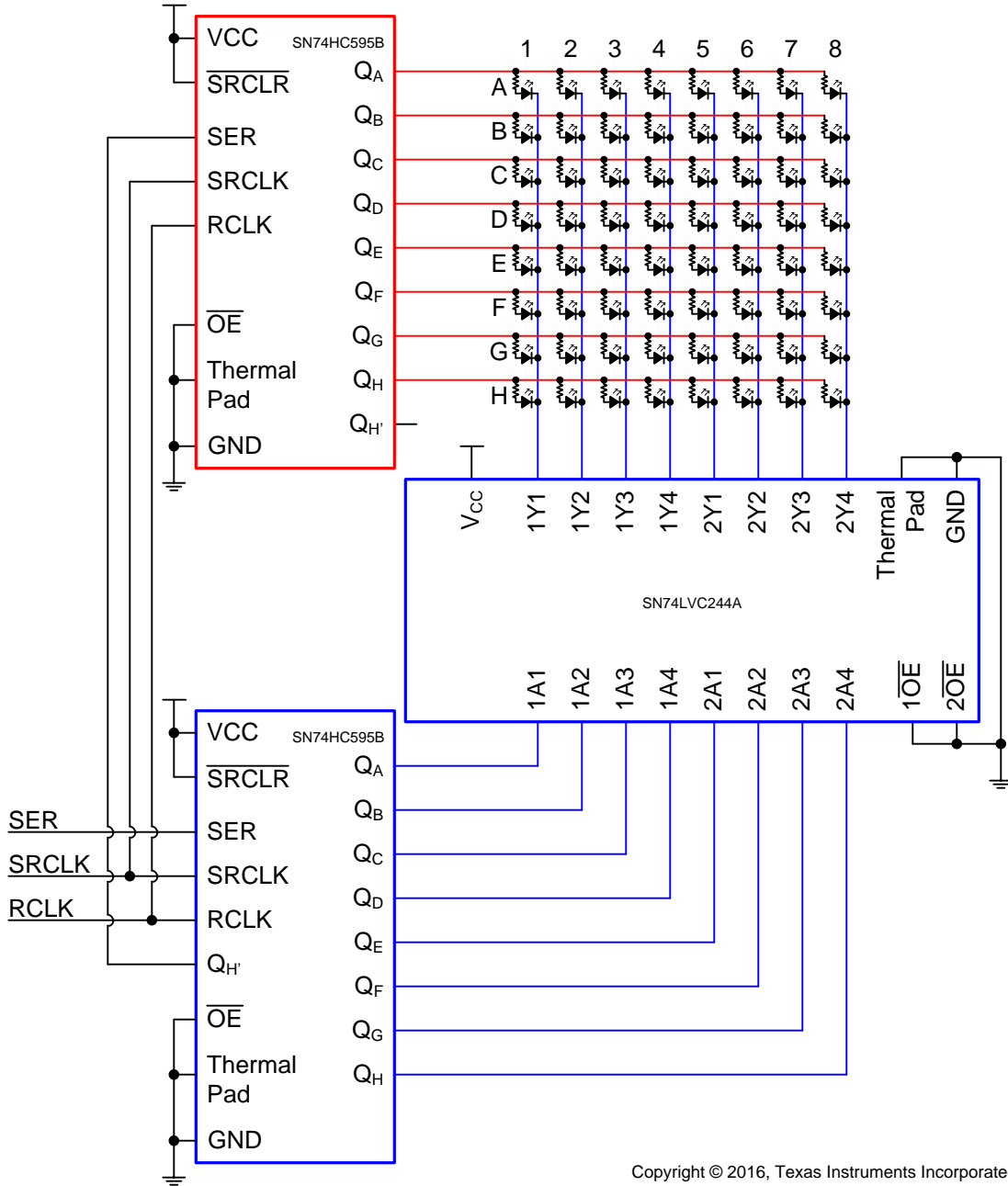
The selected LEDs use 2 mA each. Because each column can require up to 16 mA total current to operate, a higher current device than the SN74HC595B is required for the column selector.

The SN74LVC244A contains eight digital buffers which are used to increase the sink current of the eight channels coming out of the SN74HC595B device. Channels can be paralleled for increased current in higher current applications.

Two pins (SER and SRCLK) are required to load the data serially into the shift register, then one pin (RCLK) is used to save that data to the output registers. These three pins allow for complete control of the 8×8 matrix display. The scan rate of the columns change the apparent brightness of the LEDs; at slower scan rates, the LEDs appear brighter and at faster scan rates, they appear dimmer. TI recommends to avoid scanning slower than 30 frames per second ( $4.1\bar{6}$  ms per column), as this starts to generate obvious flicker to the human eye.

2.2.2 Schematic

The V<sub>CC</sub> rail goes to 3.3 V. All resistor values are 750 Ω and all diodes are from the Rohm company part number SML-311UTT86. Red components and wires indicate row control and blue components and wires indicate column control. The three lines labeled SER, SRCLK, and RCLK are the only lines used to control the 8x8 matrix (see Figure 8).



Copyright © 2016, Texas Instruments Incorporated

Figure 8. 8x8 LED Matrix Reference Design Schematic

### 2.2.3 Component Selection

Small, low current LEDs have been chosen for this display. The individual LEDs have been selected for color, size, cost, and current requirement. Each LED requires 2 mA of forward current to operate. Each LED has a series resistor to limit the current going through it. The resistor value ( $R_s$ ) was calculated from the required current for the LED ( $i_f$ ), the forward voltage for the LED ( $V_f$ ), the output voltage of the SN74HC595B ( $V_{OH}$ ), and the output voltage of the SN74LVC244A ( $V_{OL}$ ). The following equation used is [Equation 3](#):

$$R_s = \frac{V_{OH} - V_{OL} - V_f}{i_f} \quad (3)$$

$(V_{OH} - V_f - V_{OL})/(i_f) = R_s$ . The required LED current is 2 mA, the forward voltage of the LED is 1.8 V, and  $V_{OH}$  can be assumed to be very close to  $V_{CC}$  because of the supplied current appearing significantly below the data sheet specified value for  $V_{OH}$ , and similarly the  $V_{OL}$  for SN74LVC244A can be assumed to be very close to 0 V. Inputting those values results in [Equation 4](#):

$$\frac{3.3 \text{ V} - 0 \text{ V} - 1.8 \text{ V}}{2 \text{ mA}} = 750 \ \Omega \quad (4)$$

The SN74HC595B is the chosen shift register and has been selected for its extremely small size. The SN74HC595B is available in the X1QFN (extra-small quad-flatpack without leads), which allows it to be used in extremely space-constrained designs. In this case, the SN74HC595B device is placed near the 8×8 matrix display; however it can also be incorporated behind the display with some minor changes to the layout. Essentially, the final board must only be slightly larger than the LED matrix which it houses. Additionally, the SN74HC595B device can be linked serially, creating a long chain of matrix displays without the requirement for additional control lines.

The SN74HC595B has limited current sink capability for each channel; however, this design requires 16 mA, which means a second driver chip is required. The SN74LVC244A contains eight digital buffers capable of sinking up to 24 mA per channel at 3 V  $V_{CC}$ . This reference design uses one of these devices per 8×8 matrix display. Each LED in the matrix display is specified to operate at 2 mA and is driven from a single channel of the SN74HC595B device, while each column of eight LEDs sink into a single channel of the SN74LVC244A. Note the possibility to parallel channels of the SN74LVC244A device to increase drive current, if required.

Also note that it is possible to sink more current into the SN74LVC244A device with this design than its absolute maximums allows. If all LEDs were turned on simultaneously, 128 mA of total current would be sunk into the SN74LVC244A device. To avoid this situation, only one column must be active at any time and multiplexing must be used to create the illusion that all columns are turned ON.

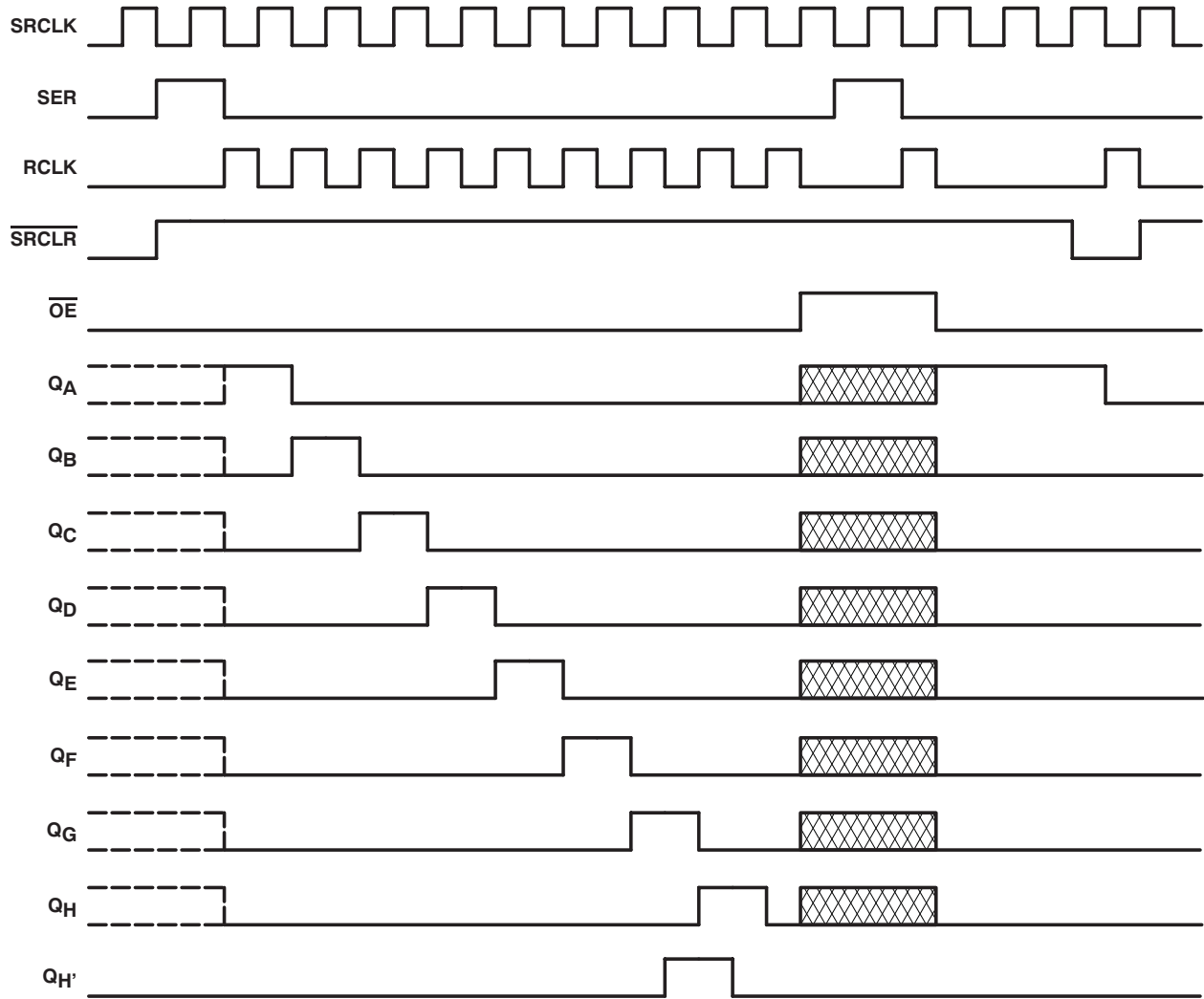
### 2.2.4 Timing and Control Requirements


Each string of SN74HC595B devices require three control lines: serial data (SER), serial clock (SRCLK), and register clock (RCLK).

To load data into the shift register, first ensure that SRCLK and RCLK are in the LOW state. SER is set to the first desired bit value, then SRCLK is pulsed to clock that value into the shift register. This process is repeated for all 8 bits of the shift register. As soon as the data has been loaded into the shift register, RCLK is pulsed to push the data from the internal register to the outputs of the device. The output registers continue to hold the values shifted into them until either another RCLK is received or the device has been powered off.

The software to control the 8×8 matrix display is relatively complex. First, each image must be broken down into columns, then each column is loaded into the shift registers: first a byte of what is to be displayed (also called the 'row byte'), then a byte to indicate which column is to display it (also called the 'column byte'). As soon as both bytes have loaded, RCLK is pulsed to push the data to the LEDs. When this process completes, the next column can be loaded and RCLK can wait to pulse until the desired time is elapsed (as previously mentioned, at least 4.16 ms later). This process is repeated for each frame that is to be displayed.

Figure 9 shows the timing diagram for the SN74HC595B.

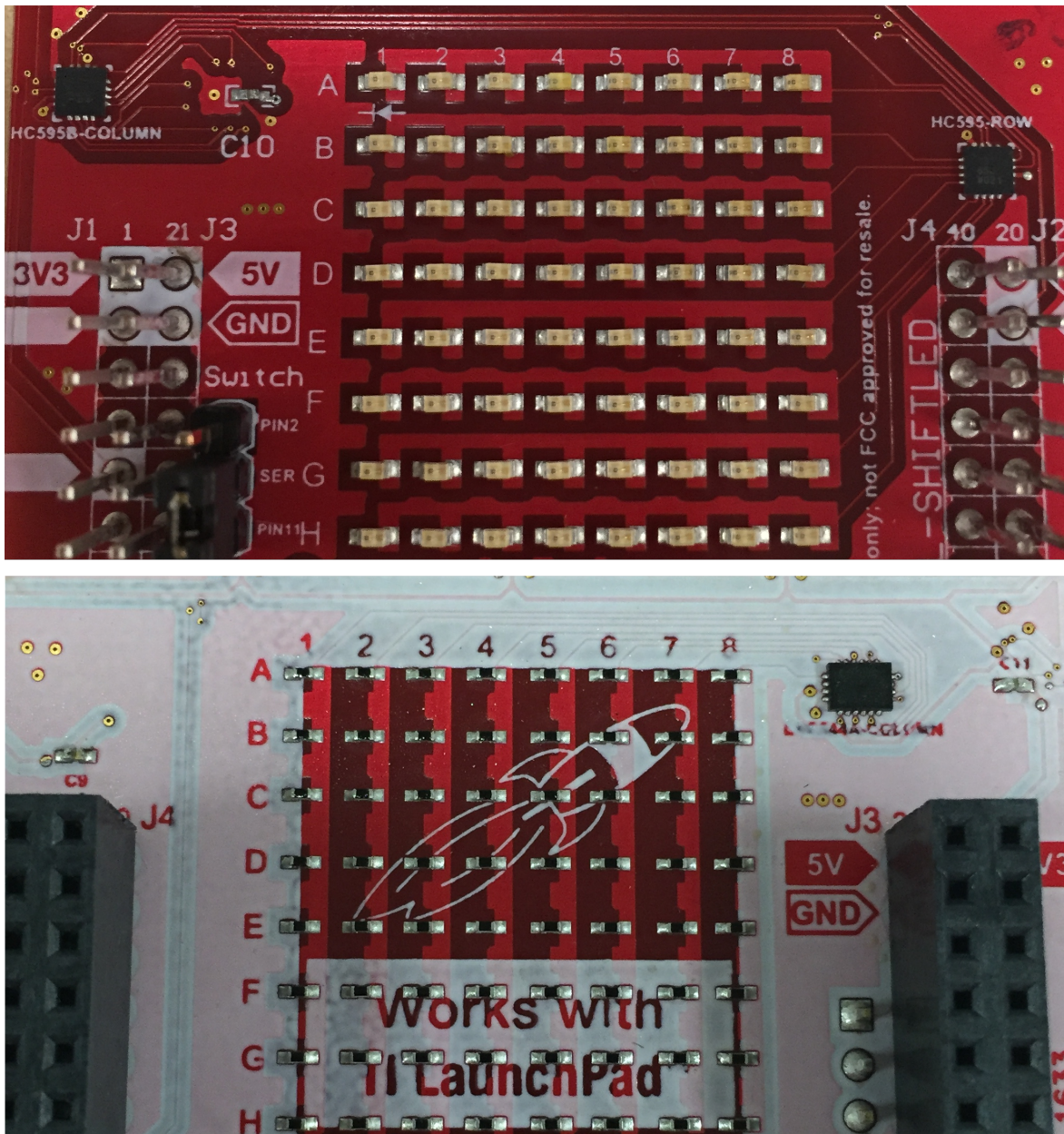


NOTE:  implies that the output is in 3-State mode.

**Figure 9. Timing Diagram for SN74HC595B**

## 2.2.5 Layout

The two SN74HC595B devices are placed on the front of the board alongside the 8x8 LED matrix while the SN74LVC244A device is placed on the back of the board. which were choices made out of convenience. Each LED has a limiting resistor directly behind it in this design. Especially in scenarios with large displays, the resistors can be placed on the front of the board. The large pours connecting the resistors and LEDs into columns and rows were not required, but were convenient in this arrangement. Because this board had a large amount of space, each device has been separated out; however, the devices can be condensed to a very small space if necessary for a design.



**Figure 10. 8x8 LED Matrix Reference Design Hardware Layout Example From BOOSTXL-SHIFTLED BoosterPack™ Plug-in Module (Top: Board Front, Bottom: Board Back)**

### 2.2.6 Software Flowchart

The flowchart in Figure 11 shows a generic method for outputting a single frame to the hardware of the *8x8 matrix display reference design*. There are three loops here: The first loop uses "j" as an iterator and indicates which column is being output and has the other two loops nested within it. The second loop uses "i" as an iterator and loads the row byte into the shift registers (indicating which LEDs in the column are ON or OFF). The third loop also uses i as an iterator and loads the column byte into the shift registers (indicating which column is to be displayed). After all values have been loaded into the shift registers, RCLK is pulsed to push those values to the outputs and activate the display. The column is then left on for an eighth of the indicated frame time (4 ms is a good value for this delay), and the process is repeated for the remaining seven columns.

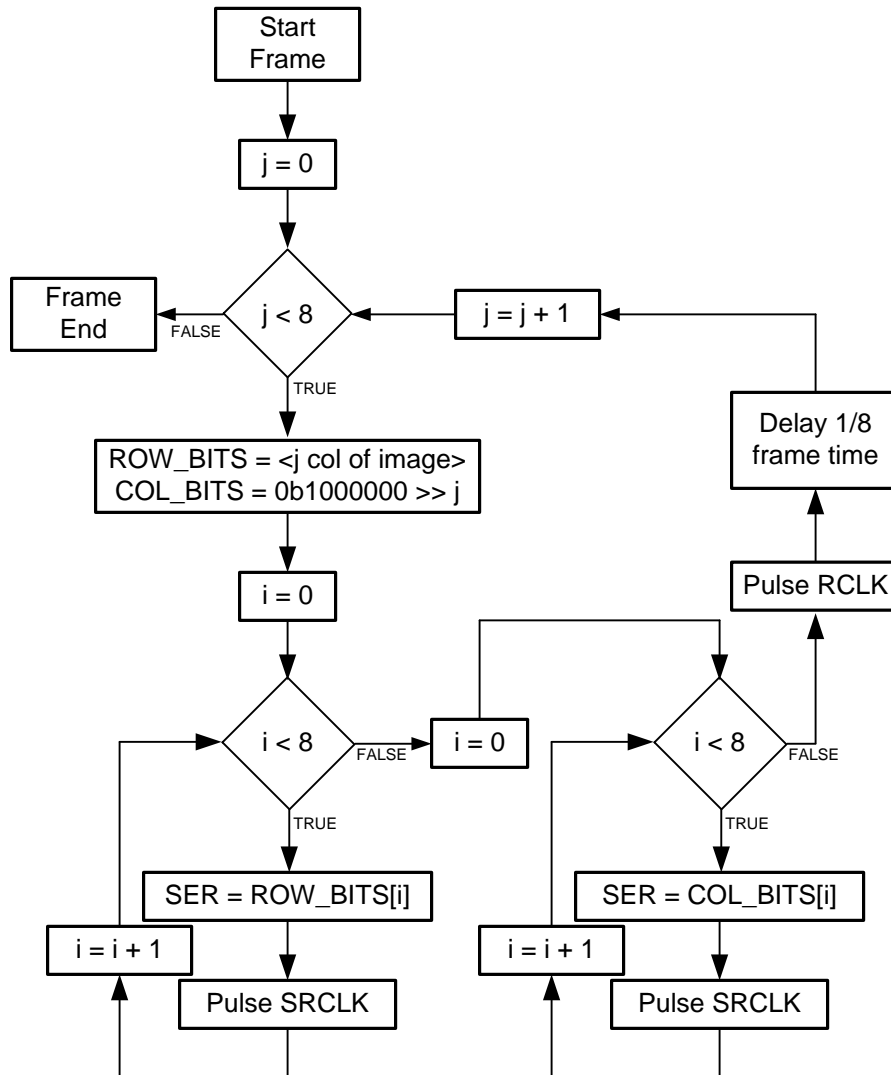


Figure 11. 8x8 Matrix Display Single-Frame Output Flow Chart

### 3 Testing and Results

These reference designs were used in the design of the BOOSTXL-SHIFTLED BoosterPack™ Plug-in Module (not yet released). A prototype board for this BoosterPack was used for testing the reference designs. The board is shown on the first page of this reference design.

#### 3.1 Seven-Segment Driver Reference Design Testing

The primary concerns for this design relate to power consumption and thermal dissipation. In space-constrained designs, there is little space for heat sinks, so the capability of devices operating in close proximity without heat sinks is important.

##### 3.1.1 Current Testing

The purpose of this test was to determine the actual current requirement of the seven-segment display while all segments are active (see Table 2). The current was measured at the power supply to the BOOSTXL-SHIFTLED BoosterPack board. All unused circuitry was either depopulated or disconnected.

**Table 2. Current Test Results**

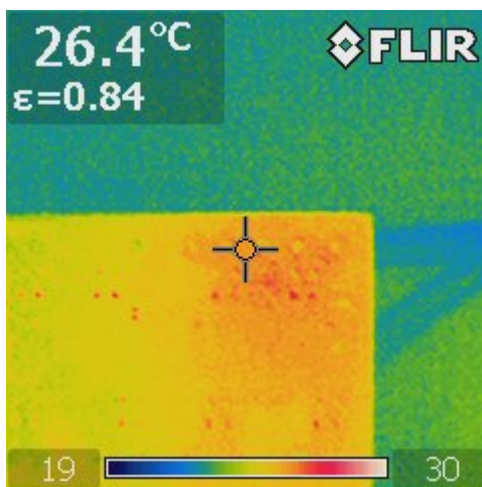
TEST	TEST CONDITIONS	RESULT	UNITS
Standby current	$V_{CC} = 2\text{ V}$ ; all LEDs turned off	$< 100^{(1)}$	nA
	$V_{CC} = 3.6\text{ V}$ ; all LEDs turned off	$< 100^{(1)}$	nA
Maximum current	$V_{CC} = 2\text{ V}$ ; all segments turned on for one seven-segment display	82.40	mA
	$V_{CC} = 3.6\text{ V}$ ; all segments turned on for one seven-segment display	99.57	mA

<sup>(1)</sup> The device used to measure this value could not accurately measure less than 100 nA.

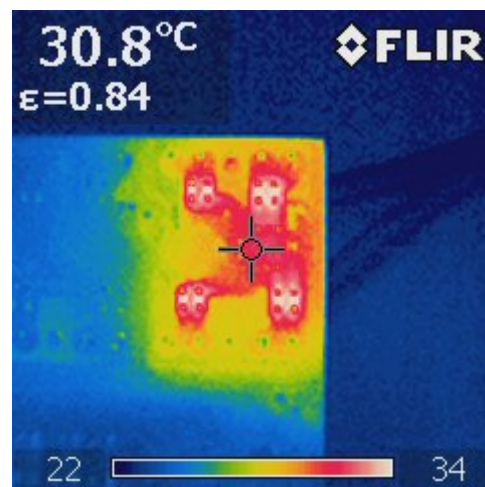
##### 3.1.2 Thermal Testing

The purpose of this test was to determine the thermal increase while all segments are active. A thermal camera was used to capture the temperature increase.

Thermal images were taken after one minute at maximum current at  $V_{CC} = 2\text{ V}$  (see Figure 12), and at  $V_{CC} = 3.6\text{ V}$  (see Figure 13).



**Figure 12. Thermal Image—Seven-Segment Driver Reference Design Operating at Max Current:  $V_{CC} = 2\text{ V}$**



**Figure 13. Thermal Image—Seven-Segment Driver Reference Design Operating at Max Current:  $V_{CC} = 3.6\text{ V}$**



The maximum temperature variations observed were recorded in [Table 3](#).

**Table 3. Thermal Test Results**

TEST	TEST CONDITIONS	RESULT	UNITS
Maximum temperature change	$T_A = 25^\circ\text{C}$ ; $V_{CC} = 2\text{ V}$ ; all segments turned on for one seven segment display	5	$^\circ\text{C}$
	$T_A = 25^\circ\text{C}$ ; $V_{CC} = 3.6\text{ V}$ ; all segments turned on for one seven segment display	9	$^\circ\text{C}$

### 3.2 8x8 LED Matrix Reference Design Testing

The primary concerns for this design relate to power consumption and thermal dissipation. In space-constrained designs, there is little space for heat sinks, so the capability of devices operating in close proximity without heat sinks is important.

#### 3.2.1 Current Testing

The purpose of this test was to determine the actual current requirement of the 8x8 LED matrix (see [Table 4](#)). Current was measured at the power supply to the BOOSTXL-SHIFTLED BoosterPack board. All unused circuitry was either depopulated or disconnected.

**Table 4. Current Test Results**

TEST	TEST CONDITIONS	RESULT	UNITS
Standby current	$V_{CC} = 2\text{ V}$ ; all LEDs turned off	<100 <sup>(1)</sup>	nA
	$V_{CC} = 3.6\text{ V}$ ; all LEDs turned off	<100 <sup>(1)</sup>	nA
Single column Maximum current	$V_{CC} = 2\text{ V}$ ; all LEDs turned on for one column	2.47	mA
	$V_{CC} = 3.6\text{ V}$ ; all LEDs turned on for one column	16.08	mA
Maximum current	$V_{CC} = 2\text{ V}$ ; all LEDs turned on	12.37 <sup>(2)</sup>	mA
	$V_{CC} = 3.6\text{ V}$ ; All LEDs turned on	84.97 <sup>(2)</sup>	mA

<sup>(1)</sup> The device used to measure this value could not accurately measure less than 100 nA.

<sup>(2)</sup> The absolute maximum rating of the SN74LVC244A is 100 mA at  $V_{CC} = 5.5\text{ V}$ . Although this design can violate that maximum when all LEDs are turned on (depending on the  $V_f$  for the specific seven segment used), the device is still operating below the absolute maximum power.

### 3.2.2 Thermal Testing

The purpose of this test was to determine the thermal increase when all segments are active. A thermal camera was used to capture the temperature increase (see and [Figure 13](#)).

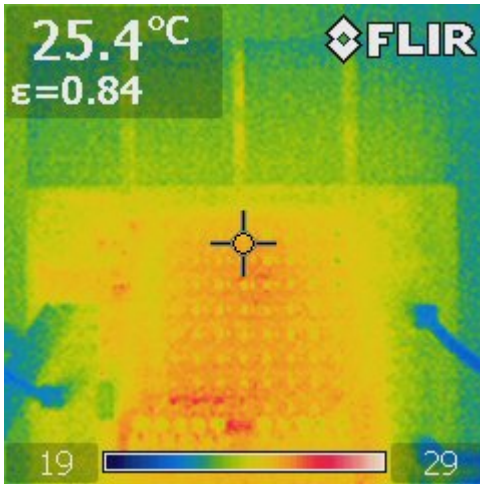


Figure 14. Thermal image—8x8 LED Matrix Reference Design Operating at Max Current:  $V_{CC} = 2\text{ V}$

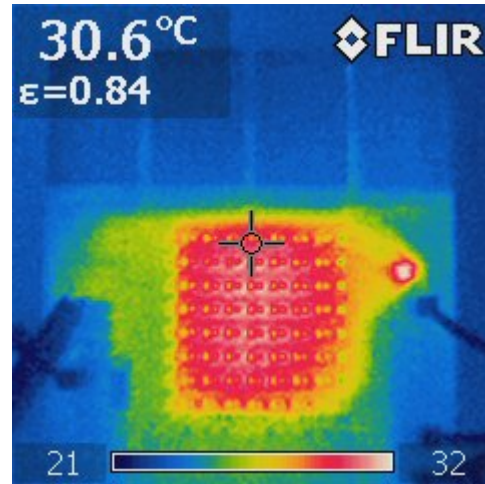


Figure 15. Thermal Image—8x8 LED Matrix Reference Design Operating at Max Current:  $V_{CC} = 3.6\text{ V}$

The thermal results are summarized in [Table 5](#).

**Table 5. Thermal Test Results**

TEST	TEST CONDITIONS	RESULT	UNITS
Maximum temperature change	$T_A = 25^\circ\text{C}$ ; $V_{CC} = 2\text{ V}$ ; all LEDs turned on	4	$^\circ\text{C}$
	$T_A = 25^\circ\text{C}$ ; $V_{CC} = 3.6\text{ V}$ ; all LEDs turned on	7	$^\circ\text{C}$

## 4 Design Files

### 4.1 Schematics

To download the schematics, see the design files at [TIDA-01233](#).

### 4.2 Bill of Materials

To download the bill of materials (BOM), see the design files at [TIDA-01233](#).

### 4.3 PCB Layout Recommendations

#### 4.3.1 Layout Prints

To download the layer plots, see the design files at [TIDA-01233](#).

### 4.4 Altium Project

To download the Altium project files, see the design files at [TIDA-01233](#).

### 4.5 Gerber Files

To download the Gerber files, see the design files at [TIDA-01233](#).

### 4.6 Assembly Drawings

To download the assembly drawings, see the design files at [TIDA-01233](#).

## 5 Software Files

To download the software files, see the design files at [TIDA-01233](#).

## 6 Terminology

**Daisy-chained**— Devices connected together in series. For shift registers, this means that the bit that was in the 8th slot will be set as an input for the SER pin of the next shift register.

**Pulse width modulation**— Changing the duty cycle of a square wave based on how bright the LED should be.

### 6.1 Trademarks

All trademarks are the property of their respective owners.

## 7 About the Author

**DANIEL HARTUNG** is an Applications Intern at Texas Instruments, where he is part of the Standard Linear and Logic Business Unit, responsible for creating a TI Design to promote the X1QFN Package. Daniel currently attends Rose Hulman Institute of Technology, where he is earning a Bachelors in Electrical Engineering and a Bachelors in Mathematics.

**EMRYS MAIER** is a Systems Engineer at Texas Instruments, where he is part of the Standard Linear and Logic Business Unit, responsible for defining new devices for logic, switches, and translation. Emrys earned his Bachelors in Electrical Engineering from the University of Texas at Arlington. He spent seven years in the United States Air Force as an RF electronics technician doing maintenance, troubleshooting, and repair for radios and other electronics.

## IMPORTANT NOTICE FOR TI DESIGN INFORMATION AND RESOURCES

Texas Instruments Incorporated ("TI") technical, application or other design advice, services or information, including, but not limited to, reference designs and materials relating to evaluation modules, (collectively, "TI Resources") are intended to assist designers who are developing applications that incorporate TI products; by downloading, accessing or using any particular TI Resource in any way, you (individually or, if you are acting on behalf of a company, your company) agree to use it solely for this purpose and subject to the terms of this Notice.

TI's provision of TI Resources does not expand or otherwise alter TI's applicable published warranties or warranty disclaimers for TI products, and no additional obligations or liabilities arise from TI providing such TI Resources. TI reserves the right to make corrections, enhancements, improvements and other changes to its TI Resources.

You understand and agree that you remain responsible for using your independent analysis, evaluation and judgment in designing your applications and that you have full and exclusive responsibility to assure the safety of your applications and compliance of your applications (and of all TI products used in or for your applications) with all applicable regulations, laws and other applicable requirements. You represent that, with respect to your applications, you have all the necessary expertise to create and implement safeguards that (1) anticipate dangerous consequences of failures, (2) monitor failures and their consequences, and (3) lessen the likelihood of failures that might cause harm and take appropriate actions. You agree that prior to using or distributing any applications that include TI products, you will thoroughly test such applications and the functionality of such TI products as used in such applications. TI has not conducted any testing other than that specifically described in the published documentation for a particular TI Resource.

You are authorized to use, copy and modify any individual TI Resource only in connection with the development of applications that include the TI product(s) identified in such TI Resource. NO OTHER LICENSE, EXPRESS OR IMPLIED, BY ESTOPPEL OR OTHERWISE TO ANY OTHER TI INTELLECTUAL PROPERTY RIGHT, AND NO LICENSE TO ANY TECHNOLOGY OR INTELLECTUAL PROPERTY RIGHT OF TI OR ANY THIRD PARTY IS GRANTED HEREIN, including but not limited to any patent right, copyright, mask work right, or other intellectual property right relating to any combination, machine, or process in which TI products or services are used. Information regarding or referencing third-party products or services does not constitute a license to use such products or services, or a warranty or endorsement thereof. Use of TI Resources may require a license from a third party under the patents or other intellectual property of the third party, or a license from TI under the patents or other intellectual property of TI.

TI RESOURCES ARE PROVIDED "AS IS" AND WITH ALL FAULTS. TI DISCLAIMS ALL OTHER WARRANTIES OR REPRESENTATIONS, EXPRESS OR IMPLIED, REGARDING TI RESOURCES OR USE THEREOF, INCLUDING BUT NOT LIMITED TO ACCURACY OR COMPLETENESS, TITLE, ANY EPIDEMIC FAILURE WARRANTY AND ANY IMPLIED WARRANTIES OF MERCHANTABILITY, FITNESS FOR A PARTICULAR PURPOSE, AND NON-INFRINGEMENT OF ANY THIRD PARTY INTELLECTUAL PROPERTY RIGHTS.

TI SHALL NOT BE LIABLE FOR AND SHALL NOT DEFEND OR INDEMNIFY YOU AGAINST ANY CLAIM, INCLUDING BUT NOT LIMITED TO ANY INFRINGEMENT CLAIM THAT RELATES TO OR IS BASED ON ANY COMBINATION OF PRODUCTS EVEN IF DESCRIBED IN TI RESOURCES OR OTHERWISE. IN NO EVENT SHALL TI BE LIABLE FOR ANY ACTUAL, DIRECT, SPECIAL, COLLATERAL, INDIRECT, PUNITIVE, INCIDENTAL, CONSEQUENTIAL OR EXEMPLARY DAMAGES IN CONNECTION WITH OR ARISING OUT OF TI RESOURCES OR USE THEREOF, AND REGARDLESS OF WHETHER TI HAS BEEN ADVISED OF THE POSSIBILITY OF SUCH DAMAGES.

You agree to fully indemnify TI and its representatives against any damages, costs, losses, and/or liabilities arising out of your non-compliance with the terms and provisions of this Notice.

This Notice applies to TI Resources. Additional terms apply to the use and purchase of certain types of materials, TI products and services. These include; without limitation, TI's standard terms for semiconductor products (<http://www.ti.com/sc/docs/stdterms.htm>), [evaluation modules](#), and [samples](http://www.ti.com/sc/docs/sampterm.htm) (<http://www.ti.com/sc/docs/sampterm.htm>).

Mailing Address: Texas Instruments, Post Office Box 655303, Dallas, Texas 75265  
Copyright © 2017, Texas Instruments Incorporated